

To our customers,

---

## Old Company Name in Catalogs and Other Documents

---

On April 1<sup>st</sup>, 2010, NEC Electronics Corporation merged with Renesas Technology Corporation, and Renesas Electronics Corporation took over all the business of both companies. Therefore, although the old company name remains in this document, it is a valid Renesas Electronics document. We appreciate your understanding.

Renesas Electronics website: <http://www.renesas.com>

April 1<sup>st</sup>, 2010  
Renesas Electronics Corporation

Issued by: Renesas Electronics Corporation (<http://www.renesas.com>)

Send any inquiries to <http://www.renesas.com/inquiry>.

## Notice

1. All information included in this document is current as of the date this document is issued. Such information, however, is subject to change without any prior notice. Before purchasing or using any Renesas Electronics products listed herein, please confirm the latest product information with a Renesas Electronics sales office. Also, please pay regular and careful attention to additional and different information to be disclosed by Renesas Electronics such as that disclosed through our website.
2. Renesas Electronics does not assume any liability for infringement of patents, copyrights, or other intellectual property rights of third parties by or arising from the use of Renesas Electronics products or technical information described in this document. No license, express, implied or otherwise, is granted hereby under any patents, copyrights or other intellectual property rights of Renesas Electronics or others.
3. You should not alter, modify, copy, or otherwise misappropriate any Renesas Electronics product, whether in whole or in part.
4. Descriptions of circuits, software and other related information in this document are provided only to illustrate the operation of semiconductor products and application examples. You are fully responsible for the incorporation of these circuits, software, and information in the design of your equipment. Renesas Electronics assumes no responsibility for any losses incurred by you or third parties arising from the use of these circuits, software, or information.
5. When exporting the products or technology described in this document, you should comply with the applicable export control laws and regulations and follow the procedures required by such laws and regulations. You should not use Renesas Electronics products or the technology described in this document for any purpose relating to military applications or use by the military, including but not limited to the development of weapons of mass destruction. Renesas Electronics products and technology may not be used for or incorporated into any products or systems whose manufacture, use, or sale is prohibited under any applicable domestic or foreign laws or regulations.
6. Renesas Electronics has used reasonable care in preparing the information included in this document, but Renesas Electronics does not warrant that such information is error free. Renesas Electronics assumes no liability whatsoever for any damages incurred by you resulting from errors in or omissions from the information included herein.
7. Renesas Electronics products are classified according to the following three quality grades: “Standard”, “High Quality”, and “Specific”. The recommended applications for each Renesas Electronics product depends on the product’s quality grade, as indicated below. You must check the quality grade of each Renesas Electronics product before using it in a particular application. You may not use any Renesas Electronics product for any application categorized as “Specific” without the prior written consent of Renesas Electronics. Further, you may not use any Renesas Electronics product for any application for which it is not intended without the prior written consent of Renesas Electronics. Renesas Electronics shall not be in any way liable for any damages or losses incurred by you or third parties arising from the use of any Renesas Electronics product for an application categorized as “Specific” or for which the product is not intended where you have failed to obtain the prior written consent of Renesas Electronics. The quality grade of each Renesas Electronics product is “Standard” unless otherwise expressly specified in a Renesas Electronics data sheets or data books, etc.
  - “Standard”: Computers; office equipment; communications equipment; test and measurement equipment; audio and visual equipment; home electronic appliances; machine tools; personal electronic equipment; and industrial robots.
  - “High Quality”: Transportation equipment (automobiles, trains, ships, etc.); traffic control systems; anti-disaster systems; anti-crime systems; safety equipment; and medical equipment not specifically designed for life support.
  - “Specific”: Aircraft; aerospace equipment; submersible repeaters; nuclear reactor control systems; medical equipment or systems for life support (e.g. artificial life support devices or systems), surgical implantations, or healthcare intervention (e.g. excision, etc.), and any other applications or purposes that pose a direct threat to human life.
8. You should use the Renesas Electronics products described in this document within the range specified by Renesas Electronics, especially with respect to the maximum rating, operating supply voltage range, movement power voltage range, heat radiation characteristics, installation and other product characteristics. Renesas Electronics shall have no liability for malfunctions or damages arising out of the use of Renesas Electronics products beyond such specified ranges.
9. Although Renesas Electronics endeavors to improve the quality and reliability of its products, semiconductor products have specific characteristics such as the occurrence of failure at a certain rate and malfunctions under certain use conditions. Further, Renesas Electronics products are not subject to radiation resistance design. Please be sure to implement safety measures to guard them against the possibility of physical injury, and injury or damage caused by fire in the event of the failure of a Renesas Electronics product, such as safety design for hardware and software including but not limited to redundancy, fire control and malfunction prevention, appropriate treatment for aging degradation or any other appropriate measures. Because the evaluation of microcomputer software alone is very difficult, please evaluate the safety of the final products or system manufactured by you.
10. Please contact a Renesas Electronics sales office for details as to environmental matters such as the environmental compatibility of each Renesas Electronics product. Please use Renesas Electronics products in compliance with all applicable laws and regulations that regulate the inclusion or use of controlled substances, including without limitation, the EU RoHS Directive. Renesas Electronics assumes no liability for damages or losses occurring as a result of your noncompliance with applicable laws and regulations.
11. This document may not be reproduced or duplicated, in any form, in whole or in part, without prior written consent of Renesas Electronics.
12. Please contact a Renesas Electronics sales office if you have any questions regarding the information contained in this document or Renesas Electronics products, or if you have any other inquiries.

(Note 1) “Renesas Electronics” as used in this document means Renesas Electronics Corporation and also includes its majority-owned subsidiaries.

(Note 2) “Renesas Electronics product(s)” means any product developed or manufactured by or for Renesas Electronics.



## User's Manual

# V850E/Dx3 - DJ3/DL3

## 32-bit Single-Chip Microcontroller

### Hardware

---

**V850E/DJ3:**  
**μPD70F3421**  
**μPD70F3422**  
**μPD70F3423**  
**μPD70F3424**  
**μPD70F3425**  
**μPD70F3426A**

**V850E/DL3:**  
**μPD70F3427**





## Notes for CMOS Devices

### (1) Precaution against ESD for semiconductors

Strong electric field, when exposed to a MOS device, can cause destruction of the gate oxide and ultimately degrade the device operation. Steps must be taken to stop generation of static electricity as much as possible, and quickly dissipate it once, when it has occurred. Environmental control must be adequate. When it is dry, humidifier should be used. It is recommended to avoid using insulators that easily build static electricity. Semiconductor devices must be stored and transported in an anti-static container, static shielding bag or conductive material. All test and measurement tools including work bench and floor should be grounded. The operator should be grounded using wrist strap. Semiconductor devices must not be touched with bare hands. Similar precautions need to be taken for PW boards with semiconductor devices on it.

### (2) Handling of unused input pins for CMOS

No connection for CMOS device inputs can be cause of malfunction. If no connection is provided to the input pins, it is possible that an internal input level may be generated due to noise, etc., hence causing malfunction. CMOS devices behave differently than Bipolar or NMOS devices. Input levels of CMOS devices must be fixed high or low by using a pull-up or pull-down circuitry. Each unused pin should be connected to VDD or GND with a resistor, if it is considered to have a possibility of being an output pin. All handling related to the unused pins must be judged device by device and related specifications governing the devices.

### (3) Status before initialization of MOS devices

Power-on does not necessarily define initial status of MOS device. Production process of MOS does not define the initial operation status of the device. Immediately after the power source is turned ON, the devices with reset function have not yet been initialized. Hence, power-on does not guarantee out-pin levels, I/O settings or contents of registers. Device is not initialized until the reset signal is received. Reset operation must be executed immediately after power-on for devices having reset function.

## Legal Notes

- The information in this document is current as of <publishing month year>. The information is subject to change without notice. For actual design-in, refer to the latest publications of NEC Electronics data sheets or data books, etc., for the most up-to-date specifications of NEC Electronics products. Not all products and/or types are available in every country. Please check with an NEC sales representative for availability and additional information.
- No part of this document may be copied or reproduced in any form or by any means without prior written consent of NEC Electronics. NEC Electronics assumes no responsibility for any errors that may appear in this document.
- NEC Electronics does not assume any liability for infringement of patents, copyrights or other intellectual property rights of third parties by or arising from the use of NEC Electronics products listed in this document or any other liability arising from the use of such NEC Electronics products. No license, express, implied or otherwise, is granted under any patents, copyrights or other intellectual property rights of NEC Electronics or others.
- Descriptions of circuits, software and other related information in this document are provided for illustrative purposes in semiconductor product operation and application examples. The incorporation of these circuits, software and information in the design of customer's equipment shall be done under the full responsibility of customer. NEC Electronics assumes no responsibility for any losses incurred by customers or third parties arising from the use of these circuits, software and information.
- While NEC Electronics endeavors to enhance the quality, reliability and safety of NEC Electronics products, customers agree and acknowledge that the possibility of defects thereof cannot be eliminated entirely. To minimize risks of damage to property or injury (including death) to persons arising from defects in NEC Electronics products, customers must incorporate sufficient safety measures in their design, such as redundancy, fire-containment and anti-failure features.
- NEC Electronics products are classified into the following three quality grades: "Standard", "Special" and "Specific".

The "Specific" quality grade applies only to NEC Electronics products developed based on a customer-designated "quality assurance program" for a specific application. The recommended applications of NEC Electronics product depend on its quality grade, as indicated below. Customers must check the quality grade of each NEC Electronics product before using it in a particular application.

- "Standard": Computers, office equipment, communications equipment, test and measurement equipment, audio and visual equipment, home electronic appliances, machine tools, personal electronic equipment and industrial robots.
- "Special": Transportation equipment (automobiles, trains, ships, etc.), traffic control systems, anti-disaster systems, anti-crime systems, safety equipment and medical equipment (not specifically designed for life support).
- "Specific": Aircraft, aerospace equipment, submersible repeaters, nuclear reactor control systems, life support systems and medical equipment for life support, etc.

The quality grade of NEC Electronics products is “Standard” unless otherwise expressly specified in NEC Electronics data sheets or data books, etc. If customers wish to use NEC Electronics products in applications not intended by NEC Electronics, they must contact NEC Electronics sales representative in advance to determine NEC Electronics 's willingness to support a given application.

- Note**
1. "NEC Electronics" as used in this statement means NEC Electronics Corporation and also includes its majority-owned subsidiaries.
  2. "NEC Electronics products" means any product developed or manufactured by or for NEC Electronics (as defined above).

## Regional Information

Some information contained in this document may vary from country to country. Before using any NEC product in your application, please contact the NEC office in your country to obtain a list of authorized representatives and distributors. They will verify:

- Device availability
- Ordering information
- Product release schedule
- Availability of related technical literature
- Development environment specifications (for example, specifications for third-party tools and components, host computers, power plugs, AC supply voltages, and so forth)
- Network requirements

In addition, trademarks, registered trademarks, export restrictions, and other legal issues may also vary from country to country.

### NEC Electronics Corporation

1753, Shimonumabe, Nakahara-ku,  
Kawasaki, Kanagawa 211-8668, Japan  
Tel: 044 4355111  
<http://www.necel.com/>

#### [America]

**NEC Electronics America, Inc.**  
2880 Scott Blvd.  
Santa Clara, CA 95050-2554,  
U.S.A.  
Tel: 408 5886000  
<http://www.am.necel.com/>

#### [Europe]

**NEC Electronics (Europe) GmbH**  
Arcadiastrasse 10  
0472 Düsseldorf, Germany  
Tel: 0211 65030  
<http://www.eu.necel.com/>

**United Kingdom Branch**  
Cygnum House, Sunrise Parkway  
Linford Wood, Milton Keynes  
MK14 6NP, U.K.  
Tel: 01908 691133

**Succursale Française**  
9, rue Paul Dautier, B.P. 52  
78142 Velizy-Villacoublay Cédex  
France  
Tel: 01 30675800

**Sucursal en España**  
Juan Esplandiu, 15  
28007 Madrid, Spain  
Tel: 091 5042787

**Tyskland Filial**  
Täby Centrum  
Entrance S (7th floor)  
18322 Täby, Sweden  
Tel: 08 6387200

**Filiale Italiana**  
Via Fabio Filzi, 25/A  
20124 Milano, Italy  
Tel: 02 667541

**Branch The Netherlands**  
Steijgerweg 6  
5616 HS Eindhoven,  
The Netherlands  
Tel: 040 2654010

#### [Asia & Oceania]

**NEC Electronics (China) Co., Ltd**  
7th Floor, Quantum Plaza, No. 27  
ZhiChunLu Haidian District,  
Beijing 100083, P.R.China  
Tel: 010 82351155  
<http://www.cn.necel.com/>

**NEC Electronics Shanghai Ltd.**  
Room 2511-2512, Bank of China  
Tower,  
200 Yincheng Road Central,  
Pudong New Area,  
Shanghai 200120, P.R. China  
Tel: 021 58885400  
<http://www.cn.necel.com/>

**NEC Electronics Hong Kong Ltd.**  
12/F., Cityplaza 4,  
12 Taikoo Wan Road, Hong Kong  
Tel: 2886 9318  
<http://www.hk.necel.com/>

**NEC Electronics Taiwan Ltd.**  
7F, No. 363 Fu Shing North Road  
Taipei, Taiwan, R.O.C.  
Tel: 02 27192377

**NEC Electronics Singapore Pte. Ltd.**  
238A Thomson Road,  
#12-08 Novena Square,  
Singapore 307684  
Tel: 6253 8311  
<http://www.sg.necel.com/>

**NEC Electronics Korea Ltd.**  
11F., Samik Lavied'or Bldg., 720-2,  
Yeoksam-Dong, Kangnam-Ku, Seoul,  
135-080, Korea Tel: 02-558-3737  
<http://www.kr.necel.com/>

## Preface

<b>Readers</b>	This manual is intended for users who want to understand the functions of the concerned microcontrollers.
<b>Purpose</b>	This manual presents the hardware manual for the concerned microcontrollers.
<b>Organization</b>	This system specification describes the following sections: <ul style="list-style-type: none"><li>• Pin function</li><li>• CPU function</li><li>• Internal peripheral function</li></ul>
<b>Module instances</b>	These microcontrollers may contain several instances of a dedicated module. In general the different instances of such modules are identified by the index “n”, where “n” counts from 0 to the number of instances minus one.
<b>Legend</b>	Symbols and notation are used as follows: <ul style="list-style-type: none"><li>• Weight in data notation:      Left is high order column, right is low order column</li><li>• Active low notation:            <math>\overline{\text{xxx}}</math> (pin or signal name is over-scored) or /xxx (slash before signal name)</li><li>• Memory map address:          High order at high stage and low order at low stage</li></ul>
<b>Note</b>	Additional remark or tip
<b>Caution</b>	Item deserving extra attention
<b>Numeric notation:</b>	<ul style="list-style-type: none"><li>• Binary:                            xxxx or xxx<sub>B</sub></li><li>• Decimal:                            xxxx</li><li>• Hexadecimal:                      xxxx<sub>H</sub> or 0x xxxx</li></ul>
<b>Prefixes</b>	representing powers of 2 (address space, memory capacity): <ul style="list-style-type: none"><li>• K (kilo):                            <math>2^{10} = 1024</math></li><li>• M (mega):                           <math>2^{20} = 1024^2 = 1,048,576</math></li><li>• G (giga):                            <math>2^{30} = 1024^3 = 1,073,741,824</math></li></ul>
<b>Register contents:</b>	X, x = don't care
<b>Diagrams</b>	Block diagrams do not necessarily show the exact wiring in hardware but the functional structure.  Timing diagrams are for functional explanation purposes only, without any relevance to the real hardware implementation.
<b>Further Information</b>	For further information see <a href="http://www.eu.necel.com">http://www.eu.necel.com</a> .



## Table of Contents

<b>Chapter 1</b>	<b>Introduction</b>	15
1.1	General	15
1.2	Features Summary	16
1.3	Product Series Overview	20
1.4	Description	21
1.5	Ordering Information	25
<b>Chapter 2</b>	<b>Pin Functions</b>	27
2.1	Overview	27
2.1.1	Description	28
2.1.2	Terms	32
2.1.3	Noise elimination	32
2.2	Port Group Configuration Registers	33
2.2.1	Overview	33
2.2.2	Pin function configuration	34
2.2.3	Pin data input/output	39
2.2.4	Configuration of electrical characteristics	41
2.2.5	Alternative input selection	44
2.3	Port Types Diagrams	49
2.4	Port Group Configuration	54
2.4.1	Port group configuration lists	55
2.4.2	Alphabetic pin function list	62
2.4.3	External memory interface of $\mu$ PD70F3427	68
2.4.4	Port group 0	69
2.4.5	Port group 1	71
2.4.6	Port group 2	72
2.4.7	Port group 3	74
2.4.8	Port group 4	76
2.4.9	Port group 5	78
2.4.10	Port group 6	80
2.4.11	Port group 7	82
2.4.12	Port group 8	84
2.4.13	Port group 9	86
2.4.14	Port group 10	88
2.4.15	Port group 11	90
2.4.16	Port group 12	92
2.4.17	Port group 13	93
2.4.18	Port group 14 ( $\mu$ PD70F3427 only)	94
2.4.19	Port group AL	95
2.4.20	Port group AH	97
2.4.21	Port group CS	98

## Table of Contents

---

2.4.22	Port group CT	99
2.4.23	Port group DL	100
2.4.24	Port group DH	102
<b>2.5</b>	<b>Noise Elimination</b>	<b>104</b>
2.5.1	Analog filtered inputs	104
2.5.2	Digitally filtered inputs	104
<b>2.6</b>	<b>Pin Functions in Reset and Power Save Modes</b>	<b>108</b>
<b>2.7</b>	<b>Recommended Connection of unused Pins</b>	<b>109</b>
<b>2.8</b>	<b>Package Pins Assignment</b>	<b>110</b>
2.8.1	μPD70F3421, μPD70F3422, μPD70F3423	110
2.8.2	μPD70F3424, μPD70F3425, μPD70F3426A	111
2.8.3	μPD70F3427	112
<b>Chapter 3</b>	<b>CPU System Functions</b>	<b>113</b>
<b>3.1</b>	<b>Overview</b>	<b>113</b>
3.1.1	Description	114
<b>3.2</b>	<b>CPU Register Set</b>	<b>115</b>
3.2.1	General purpose registers (r0 to r31)	117
3.2.2	System register set	118
<b>3.3</b>	<b>Operation Modes</b>	<b>125</b>
3.3.1	Normal operation mode	125
3.3.2	Flash programming mode	126
<b>3.4</b>	<b>Address Space</b>	<b>126</b>
3.4.1	CPU address space and physical address space	126
3.4.2	Program and data space	128
<b>3.5</b>	<b>Memory</b>	<b>130</b>
3.5.1	Memory areas	130
3.5.2	Fixed peripheral I/O area	132
3.5.3	Recommended use of data address space	134
<b>3.6</b>	<b>Write Protected Registers</b>	<b>135</b>
<b>3.7</b>	<b>Instructions and Data Access Times</b>	<b>136</b>
<b>Chapter 4</b>	<b>Clock Generator</b>	<b>139</b>
<b>4.1</b>	<b>Overview</b>	<b>139</b>
4.1.1	Description	140
4.1.2	Clock monitors	142
4.1.3	Power save modes overview	143
4.1.4	Start conditions	144
4.1.5	Start-up guideline	145
<b>4.2</b>	<b>Clock Generator Registers</b>	<b>146</b>
4.2.1	General clock generator registers	148
4.2.2	SSCG control registers	155



4.2.3	Control registers for peripheral clocks . . . . .	161
4.2.4	Control registers for power save modes . . . . .	169
4.2.5	Clock monitor registers . . . . .	175
<b>4.3</b>	<b>Power Save Modes . . . . .</b>	<b>179</b>
4.3.1	Power save modes description . . . . .	179
4.3.2	Clock Generator state transitions . . . . .	189
4.3.3	Power save mode activation . . . . .	191
4.3.4	CPU operation after power save mode release . . . . .	193
<b>4.4</b>	<b>Clock Generator Operation . . . . .</b>	<b>196</b>
4.4.1	Internal and sub oscillator operation . . . . .	196
4.4.2	Watch Timer and Watch Calibration Timer clocks . . . . .	196
4.4.3	Clock output FOUTCLK . . . . .	196
4.4.4	Default clock generator setup . . . . .	197
4.4.5	Operation of the Clock Monitors . . . . .	198
<b>Chapter 5</b>	<b>Interrupt Controller (INTC) . . . . .</b>	<b>201</b>
<b>5.1</b>	<b>Features . . . . .</b>	<b>201</b>
<b>5.2</b>	<b>Non-Maskable Interrupts . . . . .</b>	<b>226</b>
5.2.1	Operation . . . . .	229
5.2.2	Restore . . . . .	230
5.2.3	Non-maskable interrupt status flag (NP) . . . . .	231
5.2.4	NMI0 control . . . . .	231
<b>5.3</b>	<b>Maskable Interrupts . . . . .</b>	<b>232</b>
5.3.1	Operation . . . . .	232
5.3.2	Restore . . . . .	234
5.3.3	Priorities of maskable interrupts . . . . .	235
5.3.4	xxIC - Maskable interrupts control register . . . . .	239
5.3.5	IMR0 to IMR6 - Interrupt mask registers . . . . .	252
5.3.6	ISPR - In-service priority register . . . . .	255
5.3.7	Maskable interrupt status flag (ID) . . . . .	255
5.3.8	External maskable interrupts. . . . .	256
5.3.9	Software interrupts . . . . .	256
<b>5.4</b>	<b>Edge and Level Detection Configuration . . . . .</b>	<b>257</b>
<b>5.5</b>	<b>Software Exception . . . . .</b>	<b>259</b>
5.5.1	Operation . . . . .	259
5.5.2	Restore . . . . .	260
5.5.3	Exception status flag (EP). . . . .	261
<b>5.6</b>	<b>Exception Trap . . . . .</b>	<b>261</b>
5.6.1	Illegal opcode definition. . . . .	261
5.6.2	Debug trap . . . . .	263
<b>5.7</b>	<b>Multiple Interrupt Processing Control . . . . .</b>	<b>264</b>
<b>5.8</b>	<b>Interrupt Response Time . . . . .</b>	<b>266</b>
<b>5.9</b>	<b>Periods in Which Interrupts Are Not Acknowledged . . . . .</b>	<b>267</b>

<b>Chapter 6</b>	<b>Flash Memory</b> .....	269
<b>6.1</b>	<b>Overview</b> .....	270
6.1.1	Flash memory address assignment .....	271
6.1.2	Flash memory erasure and rewrite .....	273
6.1.3	Flash memory programming .....	274
6.1.4	Boot block swapping .....	274
<b>6.2</b>	<b>Flash Self-Programming</b> .....	275
6.2.1	Flash self-programming registers .....	275
6.2.2	Interrupt handling during flash self-programming .....	277
<b>6.3</b>	<b>Flash Programming via N-Wire</b> .....	278
<b>6.4</b>	<b>Flash Programming with Flash Programmer</b> .....	279
6.4.1	Programming environment .....	279
6.4.2	Communication mode .....	280
6.4.3	Pin connection .....	283
6.4.4	Programming method .....	285
<b>Chapter 7</b>	<b>Bus and Memory Control (BCU, MEMC)</b> .....	289
<b>7.1</b>	<b>Overview</b> .....	289
<b>7.2</b>	<b>Description</b> .....	290
7.2.1	Memory banks and chip select signals .....	292
7.2.2	Chips select priority control .....	295
7.2.3	Peripheral I/O area .....	295
7.2.4	NPB access timing .....	297
7.2.5	Bus properties .....	297
7.2.6	Boundary operation conditions .....	298
7.2.7	Initialization for access to external devices .....	299
7.2.8	External bus mute function .....	299
<b>7.3</b>	<b>Registers</b> .....	300
7.3.1	BCU registers .....	301
7.3.2	Memory controller registers (μPD70F3427 only) .....	311
<b>7.4</b>	<b>Page ROM Controller</b> .....	320
<b>7.5</b>	<b>Configuration of Memory Access</b> .....	322
7.5.1	Endian format .....	322
7.5.2	Wait function .....	322
7.5.3	Idle state insertion .....	324
<b>7.6</b>	<b>External Devices Interface Timing</b> .....	324
7.6.1	Writing to external devices .....	325
7.6.2	Reading from external devices .....	327
7.6.3	Read-write operation on external devices .....	329
7.6.4	Write-read operation on external devices .....	330
<b>7.7</b>	<b>Page ROM Access Timing</b> .....	331
7.7.1	Half word/word access with 8-bit bus or word access with 16-bit bus .....	332
7.7.2	Byte access with 8-bit bus or byte/half word access with 16-bit bus .....	334

<b>7.8 Data Access Order</b> .....	336
7.8.1 Access to 8-bit data busses .....	336
7.8.2 Access to 16-bit data busses .....	342
<b>Chapter 8 DMA Controller (DMAC)</b> .....	349
<b>8.1 Features</b> .....	349
<b>8.2 Peripheral and CPU Clock Settings</b> .....	351
<b>8.3 DMAC Registers</b> .....	353
8.3.1 DMA Source address registers .....	353
8.3.2 DMA destination address registers .....	355
8.3.3 DBCn - DMA transfer count registers .....	357
8.3.4 DADCn - DMA addressing control registers .....	358
8.3.5 DCHCn - DMA channel control registers .....	360
8.3.6 DRST - DMA restart register .....	361
8.3.7 DTFRn - DMA trigger source select register .....	362
<b>8.4 DMA setup and retrigger</b> .....	365
8.4.1 DMA initial setup (status after system reset) .....	365
8.4.2 DMA Retrigger .....	365
<b>8.5 Automatic Restart Function</b> .....	366
<b>8.6 Transfer Type</b> .....	367
<b>8.7 Transfer Object</b> .....	367
<b>8.8 DMA Channel Priorities</b> .....	368
<b>8.9 DMA Transfer Start Factors</b> .....	368
<b>8.10 Forcible Interruption</b> .....	368
<b>8.11 Forcible Termination</b> .....	369
<b>8.12 DMA Transfer Completion</b> .....	371
<b>8.13 Transfer Mode</b> .....	371
8.13.1 Single transfer mode .....	371
8.13.2 Block transfer mode .....	373
<b>8.14 Cautions</b> .....	374
8.14.1 Simultaneous program execution and DMA transfer with internal RAM ...	374
<b>Chapter 9 ROM Correction Function (ROMC)</b> .....	375
<b>9.1 Overview</b> .....	375
<b>9.2 “Data Replacement” ROM Correction Unit</b> .....	376
9.2.1 Features .....	376
9.2.2 “Data Replacement” ROM correction operation .....	377
9.2.3 Setting of ROM correction addresses .....	380
9.2.4 “Data Replacement” ROM correction registers .....	382
<b>9.3 “DBTRAP” ROM Correction Unit</b> .....	387
9.3.1 “DBTRAP” ROM correction operation .....	388

9.3.2	“DBTRAP” ROM correction registers	390
<b>Chapter 10</b>	<b>Code Protection and Security</b>	<b>393</b>
10.1	Overview	393
10.2	Boot ROM	393
10.3	N-Wire Debug Interface	393
10.4	Flash Writer and Self-Programming Protection	395
10.5	Additional Firmware Functions	396
10.5.1	ID-field	396
10.5.2	Checksum calculation	396
10.5.3	Variable reset vector	396
<b>Chapter 11</b>	<b>16-bit Timer/Event Counter P (TMP)</b>	<b>397</b>
11.1	Overview	397
11.2	Functions	398
11.3	Configuration	398
11.4	TMP Registers	401
11.5	Operation	412
11.5.1	Interval timer mode (TPnMD2 to TPnMD0 = 000)	412
11.5.2	External event count mode (TPnMD2 to TPnMD0 = 001)	421
11.5.3	External trigger pulse output mode (TPnMD2 to TPnMD0 = 010)	430
11.5.4	One-shot pulse output mode (TPnMD2 to TPnMD0 = 011)	441
11.5.5	PWM output mode (TPnMD2 to TPnMD0 = 100)	448
11.5.6	Free-running timer mode (TPnMD2 to TPnMD0 = 101)	457
11.5.7	Pulse width measurement mode (TPnMD2 to TPnMD0 = 110)	474
11.5.8	Timer output operations	480
11.6	Operating Precautions	481
11.6.1	Capture operation in pulse width measurement and free-running mode	481
11.6.2	Count jitter for PCLK4 to PCLK7 count clocks	481
<b>Chapter 12</b>	<b>16-bit Interval Timer Z (TMZ)</b>	<b>483</b>
12.1	Overview	483
12.1.1	Description	484
12.1.2	Principle of operation	484
12.2	TMZ Registers	485
12.3	Timing	490
12.3.1	Steady operation	490
12.3.2	Timer start and stop	491
<b>Chapter 13</b>	<b>16-bit Multi-Purpose Timer G (TMG)</b>	<b>493</b>
13.1	Features of Timer G	493

13.2	Function Overview of Each Timer Gn	494
13.3	Basic Configuration	496
13.4	TMG Registers	497
13.5	Output Delay Operation	505
13.6	Explanation of Basic Operation	506
13.7	Operation in Free-Run Mode	507
13.8	Match and Clear Mode	518
13.9	Edge Noise Elimination	529
13.10	Precautions Timer Gn	530
<b>Chapter 14</b>	<b>16-bit Timer Y (TMY)</b>	<b>533</b>
14.1	Overview	533
14.1.1	Description	534
14.1.2	Principle of Operation	535
14.2	Registers	535
14.3	Timing	540
14.4	Output Timing Calculations	541
<b>Chapter 15</b>	<b>Watch Timer (WT)</b>	<b>545</b>
15.1	Overview	545
15.1.1	Description	547
15.1.2	Principle of operation	548
15.2	Watch Timer Registers	550
15.3	Watch Timer Operation	554
15.3.1	Timing of steady operation	554
15.3.2	Watch Timer start-up	555
15.4	Watch Calibration Timer Registers	557
15.5	Watch Calibration Timer Operation	562
<b>Chapter 16</b>	<b>Watchdog Timer (WDT)</b>	<b>565</b>
16.1	Overview	565
16.1.1	Description	566
16.1.2	Principle of operation	566
16.1.3	Watchdog Timer clock	567
16.1.4	Reset behavior	568
16.2	Watchdog Timer Registers	569
<b>Chapter 17</b>	<b>Asynchronous Serial Interface (UARTA)</b>	<b>575</b>
17.1	Features	575

<b>17.2</b>	<b>Configuration</b>	576
<b>17.3</b>	<b>UARTA Registers</b>	578
<b>17.4</b>	<b>Interrupt Request Signals</b>	585
<b>17.5</b>	<b>Operation</b>	586
17.5.1	Data format	586
17.5.2	SBF transmission/reception format	588
17.5.3	SBF transmission	590
17.5.4	SBF reception	590
17.5.5	UART transmission	592
17.5.6	Continuous transmission procedure	593
17.5.7	UART reception	595
17.5.8	Reception errors	596
17.5.9	Parity types and operations	597
17.5.10	Receive data noise filter	598
<b>17.6</b>	<b>Baud Rate Generator</b>	599
17.6.1	Baud Rate Generator configuration	599
17.6.2	Baud Rate Generator registers	600
17.6.3	Baud rate calculation	602
17.6.4	Baud rate error	602
17.6.5	Baud rate setting example	602
17.6.6	Allowable baud rate range during reception	603
17.6.7	Baud rate during continuous transmission	605
<b>17.7</b>	<b>Cautions</b>	606
17.7.1	UARTAn behaviour during and after power save mode	606
17.7.2	UARTAn behaviour during debugger break	606
17.7.3	UARTAn operation stop	607
<b>Chapter 18</b>	<b>Clocked Serial Interface (CSIB)</b>	609
<b>18.1</b>	<b>Features</b>	609
<b>18.2</b>	<b>Configuration</b>	610
<b>18.3</b>	<b>CSIB Control Registers</b>	611
<b>18.4</b>	<b>Operation</b>	620
18.4.1	Single transfer mode (master mode, transmission/reception mode)	620
18.4.2	Single transfer mode (master mode, reception mode)	622
18.4.3	Continuous mode (master mode, transmission/reception mode)	623
18.4.4	Continuous mode (master mode, reception mode)	624
18.4.5	Continuous reception mode (error)	625
18.4.6	Continuous mode (slave mode, transmission/reception mode)	626
18.4.7	Continuous mode (slave mode, reception mode)	628
18.4.8	Clock timing	629
<b>18.5</b>	<b>Output Pins</b>	631
<b>18.6</b>	<b>Operation Flow</b>	632

<b>18.7</b>	<b>Baud Rate Generator</b> .....	638
18.7.1	Overview .....	638
18.7.2	Baud Rate Generator registers .....	638
18.7.3	Baud rate calculation .....	640
<b>18.8</b>	<b>Cautions</b> .....	641
18.8.1	CSIBn behaviour during debugger break .....	641
18.8.2	CSIB operation stop .....	642
<b>Chapter 19</b>	<b>I<sup>2</sup>C Bus (IIC)</b> .....	645
<b>19.1</b>	<b>Features</b> .....	645
<b>19.2</b>	<b>I2C Pin Configuration</b> .....	646
<b>19.3</b>	<b>I2C Pin Configuration</b> .....	647
<b>19.4</b>	<b>I2C Pin Configuration</b> .....	649
<b>19.5</b>	<b>Configuration</b> .....	651
<b>19.6</b>	<b>IIC Registers</b> .....	654
<b>19.7</b>	<b>I<sup>2</sup>C Bus Pin Functions</b> .....	669
<b>19.8</b>	<b>I<sup>2</sup>C Bus Definitions and Control Methods</b> .....	669
19.8.1	Start condition .....	670
19.8.2	Addresses .....	671
19.8.3	Transfer direction specification .....	672
19.8.4	Acknowledge signal ( $\overline{ACK}$ ) .....	672
19.8.5	Stop condition .....	674
19.8.6	Wait signal ( $\overline{WAIT}$ ) .....	675
<b>19.9</b>	<b>I<sup>2</sup>C Interrupt Request Signals (INTIICn)</b> .....	677
19.9.1	Master device operation .....	677
19.9.2	Slave device operation .....	680
19.9.3	Slave device operation (when receiving extension code) .....	684
19.9.4	Operation without communication .....	688
19.9.5	Arbitration loss operation (operation as slave after arbitration loss) .....	688
19.9.6	Operation when arbitration loss occurs .....	690
<b>19.10</b>	<b>Interrupt Request Signal (INTIICn)</b> .....	695
<b>19.11</b>	<b>Address Match Detection Method</b> .....	696
<b>19.12</b>	<b>Error Detection</b> .....	696
<b>19.13</b>	<b>Extension Code</b> .....	697
<b>19.14</b>	<b>Arbitration</b> .....	698
<b>19.15</b>	<b>Wakeup Function</b> .....	699
<b>19.16</b>	<b>Communication Reservation</b> .....	700
19.16.1	Communication reservation function is enabled (IICFn.IICRSVn bit = 0) ..	700
19.16.2	Communication reservation function is disabled (IICFn.IICRSVn bit = 1) ..	704
<b>19.17</b>	<b>Cautions</b> .....	705

<b>19.18</b>	<b>Communication Operations</b> .....	706
19.18.1	Master operation with communication reservation .....	706
19.18.2	Master operation without communication reservation .....	707
19.18.3	Slave operation .....	708
<b>19.19</b>	<b>Timing of Data Communication</b> .....	712
<b>Chapter 20</b>	<b>CAN Controller (CAN)</b> .....	719
<b>20.1</b>	<b>Features</b> .....	720
20.1.1	Overview of functions .....	721
20.1.2	Configuration .....	722
<b>20.2</b>	<b>CAN Protocol</b> .....	723
20.2.1	Frame format .....	723
20.2.2	Frame types .....	724
20.2.3	Data frame and remote frame .....	724
20.2.4	Error frame .....	731
20.2.5	Overload frame .....	732
<b>20.3</b>	<b>Functions</b> .....	732
20.3.1	Determining bus priority .....	732
20.3.2	Bit stuffing .....	733
20.3.3	Multi masters .....	733
20.3.4	Multi cast .....	734
20.3.5	CAN sleep mode/CAN stop mode function .....	734
20.3.6	Error control function .....	734
20.3.7	Baud rate control function .....	741
<b>20.4</b>	<b>Connection with Target System</b> .....	744
<b>20.5</b>	<b>Internal Registers of CAN Controller</b> .....	745
20.5.1	CAN module register and message buffer addresses .....	745
20.5.2	CAN Controller configuration .....	746
20.5.3	CAN registers overview .....	747
20.5.4	Register bit configuration .....	749
<b>20.6</b>	<b>Bit Set/Clear Function</b> .....	752
<b>20.7</b>	<b>Control Registers</b> .....	754
<b>20.8</b>	<b>CAN Controller Initialization</b> .....	790
20.8.1	Initialization of CAN module .....	790
20.8.2	Initialization of message buffer .....	790
20.8.3	Redefinition of message buffer .....	790
20.8.4	Transition from initialization mode to operation mode .....	792
20.8.5	Resetting error counter CnERC of CAN module .....	793
<b>20.9</b>	<b>Message Reception</b> .....	794
20.9.1	Message reception .....	794
20.9.2	Receive data read .....	795
20.9.3	Receive history list function .....	796
20.9.4	Mask function .....	798



20.9.5	Multi buffer receive block function . . . . .	800
20.9.6	Remote frame reception . . . . .	801
<b>20.10</b>	<b>Message Transmission</b> . . . . .	<b>802</b>
20.10.1	Message transmission . . . . .	802
20.10.2	Transmit history list function . . . . .	804
20.10.3	Automatic block transmission (ABT) . . . . .	806
20.10.4	Transmission abort process . . . . .	808
20.10.5	Remote frame transmission . . . . .	809
<b>20.11</b>	<b>Power Saving Modes</b> . . . . .	<b>810</b>
20.11.1	CAN sleep mode . . . . .	810
20.11.2	CAN stop mode . . . . .	813
20.11.3	Example of using power saving modes . . . . .	814
<b>20.12</b>	<b>Interrupt Function</b> . . . . .	<b>815</b>
<b>20.13</b>	<b>Diagnosis Functions and Special Operational Modes</b> . . . . .	<b>816</b>
20.13.1	Receive-only mode . . . . .	816
20.13.2	Single-shot mode . . . . .	817
20.13.3	Self-test mode . . . . .	818
20.13.4	Receive/transmit operation in each operation mode . . . . .	819
<b>20.14</b>	<b>Time Stamp Function</b> . . . . .	<b>820</b>
20.14.1	Time stamp function . . . . .	820
<b>20.15</b>	<b>Baud Rate Settings</b> . . . . .	<b>821</b>
20.15.1	Baud rate setting conditions . . . . .	821
20.15.2	Representative examples of baud rate settings . . . . .	825
<b>20.16</b>	<b>Operation of CAN Controller</b> . . . . .	<b>829</b>
<b>Chapter 21</b>	<b>A/D Converter (ADC)</b> . . . . .	<b>857</b>
21.1	Functions . . . . .	857
21.2	Configuration . . . . .	859
21.3	ADC Registers . . . . .	861
21.4	Operation . . . . .	869
21.4.1	Basic operation . . . . .	869
21.4.2	Trigger mode . . . . .	870
21.4.3	Operation modes . . . . .	871
21.4.4	Power-fail compare mode . . . . .	873
21.5	Cautions . . . . .	876
21.6	How to Read A/D Converter Characteristics Table . . . . .	878
<b>Chapter 22</b>	<b>Stepper Motor Controller/Driver (Stepper-C/D)</b> . . . . .	<b>883</b>
22.1	Overview . . . . .	883
22.1.1	Driver overview . . . . .	883
22.2	Stepper Motor Controller/Driver Registers . . . . .	886

<b>22.3</b>	<b>Operation</b> .....	891
22.3.1	Stepper Motor Controller/Driver operation .....	891
<b>22.4</b>	<b>Timing</b> .....	894
22.4.1	Timer counter .....	894
22.4.2	Automatic PWM phase shift .....	895
<b>Chapter 23</b>	<b>LCD Controller/Driver (LCD-C/D)</b> .....	897
<b>23.1</b>	<b>Overview</b> .....	897
23.1.1	Description .....	898
23.1.2	LCD panel addressing .....	899
<b>23.2</b>	<b>LCD-C/D Registers</b> .....	900
<b>23.3</b>	<b>Operation</b> .....	904
23.3.1	Common signals and segment signals .....	904
23.3.2	Activation of LCD segments .....	906
<b>23.4</b>	<b>Display Example</b> .....	906
<b>Chapter 24</b>	<b>LCD Bus Interface (LCD-I/F)</b> .....	911
<b>24.1</b>	<b>Overview</b> .....	911
24.1.1	Description .....	912
24.1.2	LCD Bus Interface access modes .....	913
24.1.3	Access types to the LBDATA0 register .....	913
24.1.4	Interrupt generation .....	914
<b>24.2</b>	<b>LCD Bus Interface Registers</b> .....	915
<b>24.3</b>	<b>Timing</b> .....	922
24.3.1	Timing dependencies .....	922
24.3.2	LCD Bus I/F states during and after accesses .....	923
24.3.3	Writing to the LCD bus .....	923
24.3.4	Reading from the LCD bus .....	926
24.3.5	Write-Read-Write sequence on the LCD bus .....	928
<b>Chapter 25</b>	<b>Sound Generator (SG)</b> .....	929
<b>25.1</b>	<b>Overview</b> .....	929
25.1.1	Description .....	930
25.1.2	Principle of operation .....	931
<b>25.2</b>	<b>Sound Generator Registers</b> .....	932
<b>25.3</b>	<b>Sound Generator Operation</b> .....	939
25.3.1	Generating the tone .....	939
25.3.2	Generating the volume information .....	940
<b>25.4</b>	<b>Sound Generator Application Hints</b> .....	945
25.4.1	Initialization .....	945
25.4.2	Start and stop sound .....	945
25.4.3	Change sound volume .....	945

25.4.4	INTSG0 interrupt . . . . .	945
25.4.5	Constant sound volume . . . . .	946
25.4.6	Generate special sounds . . . . .	946
<b>Chapter 26</b>	<b>Power Supply Scheme . . . . .</b>	<b>947</b>
26.1	<b>Overview . . . . .</b>	<b>947</b>
26.2	<b>Description . . . . .</b>	<b>949</b>
26.2.1	Devices $\mu$ PD70F3421, $\mu$ PD70F3422, $\mu$ PD70F3423. . . . .	949
26.2.2	Devices $\mu$ PD70F3424, $\mu$ PD70F3425, $\mu$ PD70F3426A . . . . .	950
26.2.3	Device $\mu$ PD70F3427. . . . .	951
26.3	<b>Voltage regulators . . . . .</b>	<b>952</b>
<b>Chapter 27</b>	<b>Reset. . . . .</b>	<b>953</b>
27.1	<b>Overview . . . . .</b>	<b>953</b>
27.1.1	General reset performance . . . . .	954
27.1.2	Reset at power-on. . . . .	957
27.1.3	External RESET . . . . .	958
27.1.4	Reset by Watchdog Timer. . . . .	959
27.1.5	Reset by Clock Monitor. . . . .	959
27.1.6	Software reset. . . . .	959
27.2	<b>Reset Registers . . . . .</b>	<b>960</b>
<b>Chapter 28</b>	<b>Voltage Comparator . . . . .</b>	<b>963</b>
28.1	<b>Overview . . . . .</b>	<b>963</b>
28.1.1	Description . . . . .	964
28.1.2	Comparison results . . . . .	964
28.1.3	Stand-by mode . . . . .	964
28.2	<b>Voltage Comparator Registers . . . . .</b>	<b>965</b>
28.3	<b>Timing . . . . .</b>	<b>967</b>
<b>Chapter 29</b>	<b>On-Chip Debug Unit . . . . .</b>	<b>969</b>
29.1	<b>Functional Outline . . . . .</b>	<b>969</b>
29.1.1	Debug functions . . . . .	969
29.1.2	Security function . . . . .	971
29.2	<b>Controlling the N-Wire Interface . . . . .</b>	<b>974</b>
29.3	<b>N-Wire Enabling Methods . . . . .</b>	<b>976</b>
29.3.1	Starting normal operation after $\overline{\text{RESET}}$ and RESPOC . . . . .	976
29.3.2	Starting debugger after $\overline{\text{RESET}}$ and RESPOC . . . . .	976
29.3.3	N-Wire activation by $\overline{\text{RESET}}$ pin . . . . .	977
29.4	<b>Connection to N-Wire Emulator . . . . .</b>	<b>978</b>
29.4.1	KEL connector. . . . .	978
29.5	<b>Restrictions and Cautions on On-Chip Debug Function . . . . .</b>	<b>982</b>

Table of Contents

---

<b>Appendix A</b>	<b>Registers Access Times</b> .....	985
<b>Appendix B</b>	<b>Special Function Registers</b> .....	997
	<b>Revision History</b> .....	1021
	<b>Index</b> .....	1025

# Chapter 1 Introduction

**V850E/Dx3 series** The V850E/Dx3 is a product series in NEC Electronics' V850 family of single-chip microcontrollers designed for automotive applications. Beside the V850E/Dx3 - DJ3/DL3 the product series comprises the V850E/DG3 devices. For further information about V850E/DG3 refer to the user's manual "V850E/Dx3 - DG3" Document number U18349EE

## 1.1 General

The V850E/Dx3 single-chip microcontroller devices make the performance gains attainable with 32-bit RISC-based controllers available for embedded control applications. The integrated V850 CPU offers easy pipeline handling and programming, resulting in compact code size comparable to 16-bit CISC CPUs.

The V850E/Dx3 provide an excellent combination of general purpose peripheral functions, like serial communication interfaces (UARTs, Clocked Serial Interfaces), timers, and measurement inputs (A/D Converter), with dedicated CAN network support.

The devices offer specific power-saving modes to manage the power consumption effectively under varying conditions.

Thus equipped, the V850E/Dx3 product line is ideally suited for automotive applications, like dashboard or body. It is also an excellent choice for other applications where a combination of sophisticated peripheral functions and CAN network support is required.

### (1) V850E CPU

The V850E CPU core is a RISC processor. Through the use of basic instructions that can be executed in one clock period combined with an optimized pipeline architecture, it achieves marked improvements in instruction execution speed.

In addition, to make it ideal for use in digital control applications, a 32-bit hardware multiplier enables this CPU to support multiply instructions, saturated multiply instructions, bit operation instructions, etc.

Through two-byte basic instructions and instructions compatible with high level languages, the object code efficiency in a C compiler is increased, and program size can be reduced.

Further, because the on-chip interrupt controller provides high-speed interrupt response and processing, this device is well suited for high level real-time control applications.

### (2) On-chip flash memory

The V850E/Dx3 microcontrollers have on-chip flash memory. It is possible to program the controllers directly in the target environment where they are mounted.

With this feature, system development time can be reduced and system maintainability after shipping can be markedly improved.

**(3) A full range of software development tools**

A development system is available that includes an optimized C compiler, debugger, in-circuit emulator, simulator, system performance analyzer, and other elements.

**1.2 Features Summary**

The following table provides a quick summary of the most outstanding features.

**Table 1-1 V850E/Dx3 features summary (1/4)**

<b>CPU</b>	
Core	V850E1
Number of instructions	81
Minimum instruction execution time	<ul style="list-style-type: none"> <li>• 15.625 ns (@ <math>\phi</math> = 64 MHz) (<math>\mu</math>PD70F3424, <math>\mu</math>PD70F3425, <math>\mu</math>PD70F3426A, <math>\mu</math>PD70F3427)<sup>a</sup></li> <li>• 31.25 ns (@ <math>\phi</math> = 32 MHz) (<math>\mu</math>PD70F3421, <math>\mu</math>PD70F3422, <math>\mu</math>PD70F3423)<sup>a</sup></li> </ul>
General registers	32 registers (32 bits each)
<b>Instruction set</b>	
V850E (compatible with V850 plus additional powerful instructions for reducing code and increasing execution speed)	
Signed multiplication (16 bits $\times$ 16 bits $\rightarrow$ 32 bits or 32 bits $\times$ 32 bits $\rightarrow$ 64 bits): 1 to 2 clocks	
Saturated operation instructions (with overflow/underflow detection) 32-bit shift instructions: 1 clock	
Bit manipulation instructions	
Load/store instructions with long/short format	
Signed load instructions	
<b>Internal flash memory</b>	
Size	<ul style="list-style-type: none"> <li>• 2 MB (<math>\mu</math>PD70F3426A)</li> <li>• 1 MB (<math>\mu</math>PD70F3427, <math>\mu</math>PD70F3425)</li> <li>• 512 KB (<math>\mu</math>PD70F3424, <math>\mu</math>PD70F3423)</li> <li>• 384 KB (<math>\mu</math>PD70F3422)</li> <li>• 256 KB (<math>\mu</math>PD70F3421)</li> </ul>
Flash protection	<ul style="list-style-type: none"> <li>• N-Wire security function</li> <li>• external programmer security function</li> </ul>
Secure self programming	
<b>Internal data RAM</b>	
Size	<ul style="list-style-type: none"> <li>• 84 KB (<math>\mu</math>PD70F3426A)</li> <li>• 60 KB (<math>\mu</math>PD70F3427)</li> <li>• 32 KB (<math>\mu</math>PD70F3425)</li> <li>• 24 KB (<math>\mu</math>PD70F3424)</li> <li>• 20 KB (<math>\mu</math>PD70F3423)</li> <li>• 16 KB (<math>\mu</math>PD70F3422)</li> <li>• 12 KB (<math>\mu</math>PD70F3421)</li> </ul>

Table 1-1 V850E/Dx3 features summary (2/4)

<b>Clock Generator</b>	
Internal spread-spectrum PLL (SSCG)	12-fold/16-fold, up to 64 MHz $\pm$ 5 % <sup>bc</sup>
Internal PLL	8-fold, 32 MHz
CPU frequency range	<ul style="list-style-type: none"> <li>up to 64 MHz (<math>\mu</math>PD70F3424, <math>\mu</math>PD70F3425, <math>\mu</math>PD70F3426A, <math>\mu</math>PD70F3427)<sup>ac</sup></li> <li>up to 32 MHz (<math>\mu</math>PD70F3421, <math>\mu</math>PD70F3422, <math>\mu</math>PD70F3423)<sup>ac</sup></li> </ul>
Peripheral frequency range	up to 16 MHz
Main crystal frequency range (main oscillator)	4 MHz
Sub oscillator	32 KHz (typ.)
Internal oscillator	240 KHz (typ.)
Clock supervision	2 channels: <ul style="list-style-type: none"> <li>main oscillator monitor</li> <li>sub oscillator monitor</li> </ul>
Auxiliary frequency output	
<b>Built-in power saving modes</b>	
HALT / IDLE / WATCH / Sub-WATCH / STOP	
<b>External memory bus interface (<math>\mu</math>PD70F3427 only)</b>	
Address/data separated busses	24/32-bit
Chip select signals	4
<b>DMA Controller</b>	
Number of channels	4
<b>I/O ports</b>	
Input/output ports	<ul style="list-style-type: none"> <li><math>\mu</math>PD70F3427: 101</li> <li>all others: 98</li> </ul>
Input ports	16
<b>A/D Converter</b>	
Number of channels	<ul style="list-style-type: none"> <li>16 (<math>\mu</math>PD70F3424, <math>\mu</math>PD70F3425, <math>\mu</math>PD70F3426A, <math>\mu</math>PD70F3427)</li> <li>12 (<math>\mu</math>PD70F3421, <math>\mu</math>PD70F3422, <math>\mu</math>PD70F3423)</li> </ul>
Resolution	10-bit
Conversion modes	<ul style="list-style-type: none"> <li>Continuous select mode</li> <li>Continuous scan mode</li> <li>Timer trigger mode</li> <li>Software trigger mode</li> </ul>
Analog input channels shared with digital input port functionality	

Table 1-1 V850E/Dx3 features summary (3/4)

<b>Serial interfaces</b>	
Synchronous: CSI (CSIB)	<ul style="list-style-type: none"> <li>• 3 channels (<math>\mu</math>PD70F3424, <math>\mu</math>PD70F3425, <math>\mu</math>PD70F3426A, <math>\mu</math>PD70F3427)</li> <li>• 2 channels (<math>\mu</math>PD70F3421, <math>\mu</math>PD70F3422, <math>\mu</math>PD70F3423)</li> </ul>
Asynchronous: UART (UARTA)	2 channels with LIN support
I <sup>2</sup> C (IIC)	2 channels
CAN (CAN)	<ul style="list-style-type: none"> <li>• 3 channels with 32 message buffers each (<math>\mu</math>PD70F3421, <math>\mu</math>PD70F3422, <math>\mu</math>PD70F3423, <math>\mu</math>PD70F3424, <math>\mu</math>PD70F3425, <math>\mu</math>PD70F3427)</li> <li>• 2 channels with 32 message buffers each (<math>\mu</math>PD70F3426A)</li> </ul>
<b>Timers</b>	
16-bit multi purpose timer/event counter (TMP)	4 channels
16-bit multi purpose timer/counter (TMG)	<ul style="list-style-type: none"> <li>• 3 channels</li> </ul>
16-bit multi purpose timer/counter (TMZ)	<ul style="list-style-type: none"> <li>• 10 channels (<math>\mu</math>PD70F3424, <math>\mu</math>PD70F3425, <math>\mu</math>PD70F3426A, <math>\mu</math>PD70F3427)</li> <li>• 6 channels (<math>\mu</math>PD70F3421, <math>\mu</math>PD70F3422, <math>\mu</math>PD70F3423)</li> </ul>
16-bit PWM/PFM timer (TMY)	1 channel
Watch Timer (WT)	1 channel
Watch Calibration Timer (WCT)	1 channel
Watchdog Timer (WDT)	1 channel
<b>LCD Controller/Driver (<math>\mu</math>PD70F3421, <math>\mu</math>PD70F3422, <math>\mu</math>PD70F3423)</b>	
Segment signal output	max. 40
Common signal output	max. 4
Modes	1/4 duty, 1/3 bias
<b>LCD Bus Interface</b>	
Bus width	8-bit parallel
Bus control modes	2 modes: <ul style="list-style-type: none"> <li>• RD strobe and WR strobe (“mod80”)</li> <li>• RD/WR signal and data strobe (“mod68”)</li> </ul>
Transfer speed	100 KHz to 3.2 MHz
<b>Stepper Motor Controller/Driver</b>	
Number of channels	6
Resolution	8-bit and 8-bit + 1
<b>Sound Generator</b>	
Number of channels	1
Volume	9-bit volume level accuracy
Sound frequency	245 Hz to 6 KHz with min. resolution of $\pm$ 20 Hz
Sound duration	256 steps



Table 1-1 V850E/Dx3 features summary (4/4)

Interrupts and exceptions	
Non-maskable interrupts	2 sources
Maskable interrupts	<ul style="list-style-type: none"> <li>• 92 sources (<math>\mu</math>PD70F3424, <math>\mu</math>PD70F3425, <math>\mu</math>PD70F3426A, <math>\mu</math>PD70F3427)</li> <li>• 84 sources (<math>\mu</math>PD70F3421, <math>\mu</math>PD70F3422, <math>\mu</math>PD70F3423)</li> </ul>
Software exceptions	32 sources
Exception trap	2 sources
ROM Correction	
Number of channels	8 channels by DBTRAP
On-chip debug interface	
Number of interfaces	1
Connection of an external N-Wire emulator	
Internal Voltage Comparators	
Number of channels	2
Power supply supervision	
Power-On-Clear	Generates reset at power-up and in case of power loss
Single supply operating voltage	
Range	4.0 V to 5.5 V <sup>a</sup>
Temperature range	
Range	$T_a = -40$ to $+85^\circ\text{C}$ <ul style="list-style-type: none"> <li>• @ <math>\phi = 67.2</math> MHz (<math>\mu</math>PD70F3424, <math>\mu</math>PD70F3425, <math>\mu</math>PD70F3426A, <math>\mu</math>PD70F3427)<sup>a</sup></li> <li>• @ <math>\phi = 32</math> MHz (<math>\mu</math>PD70F3421, <math>\mu</math>PD70F3422, <math>\mu</math>PD70F3423)<sup>a</sup></li> </ul>
Package	
Package	<ul style="list-style-type: none"> <li>• <math>\mu</math>PD70F3427: 208-pin QFP</li> <li>• all others: 144-pin QFP</li> </ul>
Package size	<ul style="list-style-type: none"> <li>• <math>\mu</math>PD70F3427: 28 mm <math>\times</math> 28 mm</li> <li>• all others: 20 mm <math>\times</math> 20 mm</li> </ul>
Pin pitch	0.5 mm
Technology	
CMOS	

a) refer to Data Sheet

b) The maximum CPU frequency as specified in the Data Sheet must not be exceeded.

c) Center output frequency of the SSCG, can be modulated up to +/- 5%.

**Note** The CAN controller of this device fulfils the requirements according ISO 11898. Additionally, the CAN controller was tested according to the test procedures required by ISO 16845. The CAN controller has successfully passed all test patterns. Beyond these test patterns, other tests like robustness tests and processor interface tests as recommended by C&S/FH Wolfenbuettel have been performed with success.

### 1.3 Product Series Overview

Table 1-2 shows the common and different features of the microcontrollers.

Table 1-2 V850E/Dx3 product series overview

Part number		V850E/DL3	V850E/DJ3					
		μPD70F3427	μPD70F3426A	μPD70F3425	μPD70F3424	μPD70F3423	μPD70F3422	μPD70F3421
Internal memory	Flash	1 MB	1 MB + 1 MB <sup>a</sup>	1 MB	512 KB		384 KB	256 KB
	RAM	60 KB	60 KB + 24 KB <sup>a</sup>	32 KB	24 KB	20 KB	16 KB	12 KB
External memory interface		provided	-					
DMA		4 ch						
Operating clock <sup>b</sup>	Main oscillator with SSCG <sup>c</sup>	67.2 MHz max.				32 MHz max.		
	Internal oscillator	240 KHz typ.						
	Sub oscillator	32 KHz typ.						
I/O ports	Input/Output	101	98					
	Input	16						
A/D converter		16 channels				12 channels		
Timers	TMZ	10 channels				6 channels		
	TMP	4 channels						
	TMG	3 channels						
	TMY	1 channel						
	WDT	1 channel						
	Watch	provided						
	Watch calibration	provided						
Serial interfaces	CAN	3 channels	2 channels	3 channels				
	UARTA	2 channels						
	CSIB	3 channels				2 channels		
	I <sup>2</sup> C	2 channels						
Interrupts	External (maskable)	8 channels				7 channels		
	Internal (maskable)	84 channels				77 channels		
	NMI	2 channels (1 external, 1 internal)						
Other functions	ROM Correction by DBTRAP	8 channels	2 x 8 channels	8 channels				
	Power-On-Clear	provided						
	Voltage Comparator	2 channels						
	Clock supervision	2 channels						
	Sound Generator	1 channel						
	Stepper Motor Controller/Driver	6 channels						
	LCD-Controller/Driver	none				40 x 4		
	LCD Bus Interface	provided						
	Auxiliary frequency output	provided						
	On-Chip debug	provided						
Operating voltage <sup>b</sup>		3.5 V to 5.5 V						
Package		208-pin QFP	144-pin LQFP					

a) The additional 1 MB flash memory respectively 24 KB RAM is accessible via the VSB, and thus the access requires an additional CPU clock cycle.

b) Refer to the Data Sheet.

c) SSCG: spread spectrum clock generator

### 1.4 Description

Figure 1-1 provides a functional block diagram of the V850E/DJ3 ( $\mu$ PD70F3421,  $\mu$ PD70F3422,  $\mu$ PD70F3423,  $\mu$ PD70F3424,  $\mu$ PD70F3425,  $\mu$ PD70F3426A) microcontrollers.

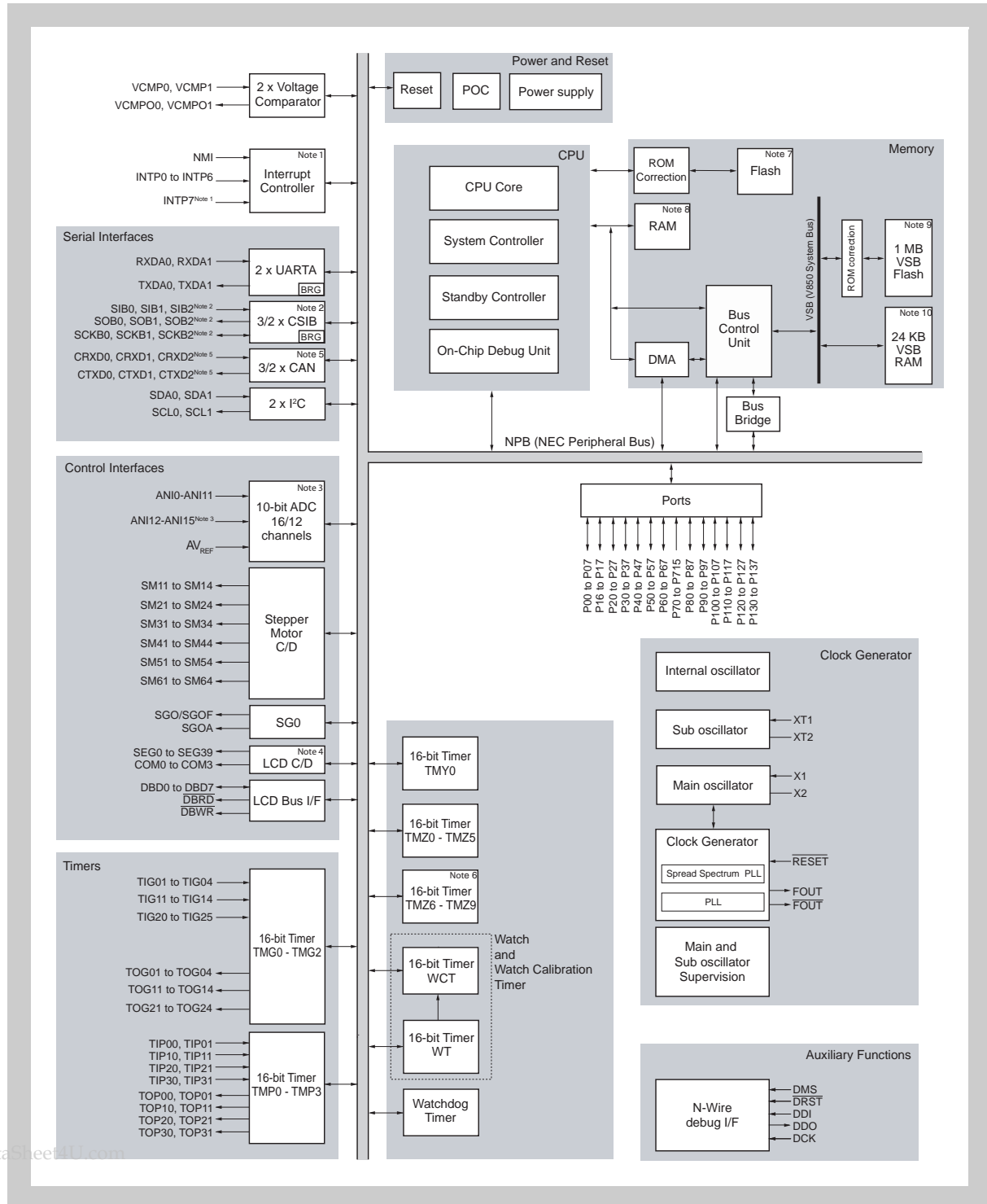


Figure 1-1 V850E/DJ3 ( $\mu$ PD70F3421,  $\mu$ PD70F3422,  $\mu$ PD70F3423,  $\mu$ PD70F3424,  $\mu$ PD70F3425,  $\mu$ PD70F3426A) block diagram

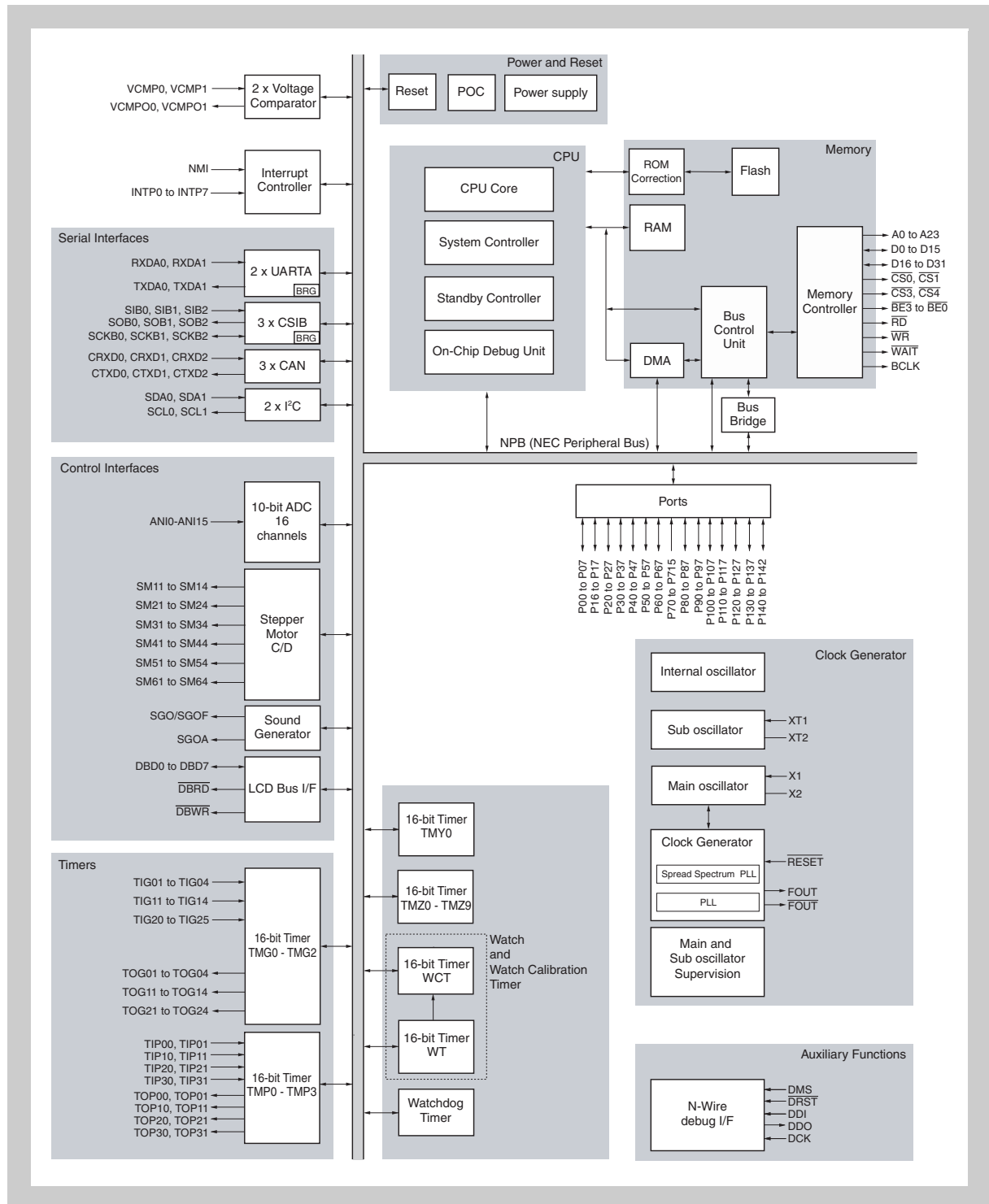
www.DataSheet4U.com

Table 1-3 summarizes the different features of the of the V850E/DJ3 ( $\mu$ PD70F3421,  $\mu$ PD70F3422,  $\mu$ PD70F3423,  $\mu$ PD70F3424,  $\mu$ PD70F3425,  $\mu$ PD70F3426A) microcontrollers, marked as “Notes” in Figure 1-1.

Table 1-3 Feature set differences

Note	Feature	$\mu$ PD70F3426A	$\mu$ PD70F3425	$\mu$ PD70F3424	$\mu$ PD70F3423	$\mu$ PD70F3422	$\mu$ PD70F3421
1	INTP7	√	√	√	—	—	—
2	CSIB2	√	√	√	—	—	—
3	ANI12 to ANI15	√	√	√	—	—	—
4	LCD-C/D	—	—	—	√	√	√
5	CAN2	—	√	√	√	√	√
6	TMZ6 to TMZ9	√	√	√	—	—	—
7	Flash	1 MB	1 MB	512 KB	512 KB	384 KB	256 KB
8	RAM	60 KB	32 KB	24 KB	20 KB	16 KB	12 KB
9	VSB Flash	1 MB	—	—	—	—	—
10	VSB RAM	24 KB	—	—	—	—	—

Figure 1-2 provides a functional block diagram of the V850E/DL3  $\mu$ PD70F3427 microcontroller.



www.DataSheet4U.com **Figure 1-2 V850E/DL3 ( $\mu$ PD70F3427) block diagram**

- Structure of the diagram** In the diagram, the building blocks are grouped according to their function.
- At the top of the diagram, you find the functions for controlling power supply and reset.
- The upper right-hand section shows the building blocks of the CPU system and the memory interface components. The I/O ports are summarized below that section.
- The left-hand section of the block diagram identifies the interfaces to peripherals and also the built-in timers. All these components are connected to and can be controlled via the internal bus.
- The Clock Generator, depicted in the lower right-hand section, plays a central role. It generates and monitors not only the clocks for the CPU and the peripheral interfaces, but also governs the power save modes that can be entered when the device is not in use.
- Structure of the manual** This manual explains how to use the V850E/Dx3 microcontroller devices. It provides comprehensive information about the building blocks, their features, and how to set registers in order to enable or disable specific functions.
- The manual provides individual chapters for the building blocks. These chapters are organized according to the grouping in the diagram.
- Core functions
    - “Pin Functions“ on page 27*
    - “CPU System Functions“ on page 113*
    - “Clock Generator“ on page 139*
    - “Interrupt Controller (INTC)“ on page 201*
  - Memory access
    - “Flash Memory“ on page 269*
    - “Bus and Memory Control (BCU, MEMC)“ on page 289*
    - “DMA Controller (DMAC)“ on page 349*
    - “ROM Correction Function (ROMC)“ on page 375*
    - “Code Protection and Security“ on page 393*
  - Timers
    - “16-bit Timer/Event Counter P (TMP)“ on page 397*
    - “16-bit Interval Timer Z (TMZ)“ on page 483*
    - “16-bit Multi-Purpose Timer G (TMG)“ on page 493*
    - “Watch Timer (WT)“ on page 545*
    - “Watchdog Timer (WDT)“ on page 565*
  - Serial interfaces
    - “Asynchronous Serial Interface (UARTA)“ on page 575*
    - “Clocked Serial Interface (CSIB)“ on page 609*
    - “I<sup>2</sup>C Bus (IIC)“ on page 645*
    - “CAN Controller (CAN)“ on page 719*
  - Control interfaces
    - “A/D Converter (ADC)“ on page 857*
    - “Stepper Motor Controller/Driver (Stepper-C/D)“ on page 883*
    - “LCD Controller/Driver (LCD-C/D)“ on page 897*
    - “LCD Bus Interface (LCD-I/F)“ on page 911*
    - “Sound Generator (SG)“ on page 929*

- Power and reset
  - “Power Supply Scheme” on page 1
  - “Reset” on page 953
  - “Voltage Comparator” on page 963
- Auxiliary functions
  - “On-Chip Debug Unit” on page 969

## 1.5 Ordering Information

Table 1-4 V850E/Dx3 ordering information

NEC order code	Pin/package	Memory size	Remarks
UPD70F3421GJ(A)-GAE-QS-AX	144 pin LQFP	256 KB flash	–
UPD70F3422GJ(A)-GAE-QS-AX	144 pin LQFP	384 KB flash	–
UPD70F3423GJ(A)-GAE-QS-AX	144 pin LQFP	512 KB flash	–
UPD70F3424GJ(A)-GAE-QS-AX	144 pin LQFP	512 KB flash	–
UPD70F3425GJ(A)-GAE-QS-AX	144 pin LQFP	1 MB flash	–
UPD70F3426AGJ(A)-GAE-QS-AX	144 pin LQFP	2 MB flash	VSB flash and RAM
UPD70F3427GD(A)-LML-QS-AX	208 pin QFP	1 MB flash	External bus I/F





# Chapter 2 Pin Functions

This chapter lists the ports of the microcontroller. It presents the configuration of the ports for alternative functions. Noise elimination on input signals is explained and a recommendation for the connection of unused pins is given at the end of the chapter.

## 2.1 Overview

The microcontroller offers various pins for input/output functions, so-called ports. The ports are organized in port groups.

To allocate other than general purpose input/output functions to the pins, several control registers are provided.

For a description of the terms pin, port or port group, see *“Terms“ on page 32.*

**Features summary**

- Number of ports and port groups:

Device	Number of ports		Number of port groups
	I/O ports	Input ports	
μPD70F3427	101	16	15
all others	98	16	14

- 5V I/O:
  - Can be used as 3V I/O with degraded electrical parameters. Please refer to the Data Sheet.
- 24 high-drive ports for direct stepper motor drive.
- Configuration possible for individual pins.
- The following features can be selected for most of the pins:
  - One out of two input thresholds
  - One out of two input characteristics (Schmitt and non-Schmitt)
  - Output current limit
  - Open drain emulation
- The following registers are offered for most of the ports:
  - Direct register for reading the pin values
  - Port register with selectable read source (for improved bit set / bit clear capabilities)

### 2.1.1 Description

This microcontroller has the port groups shown below.

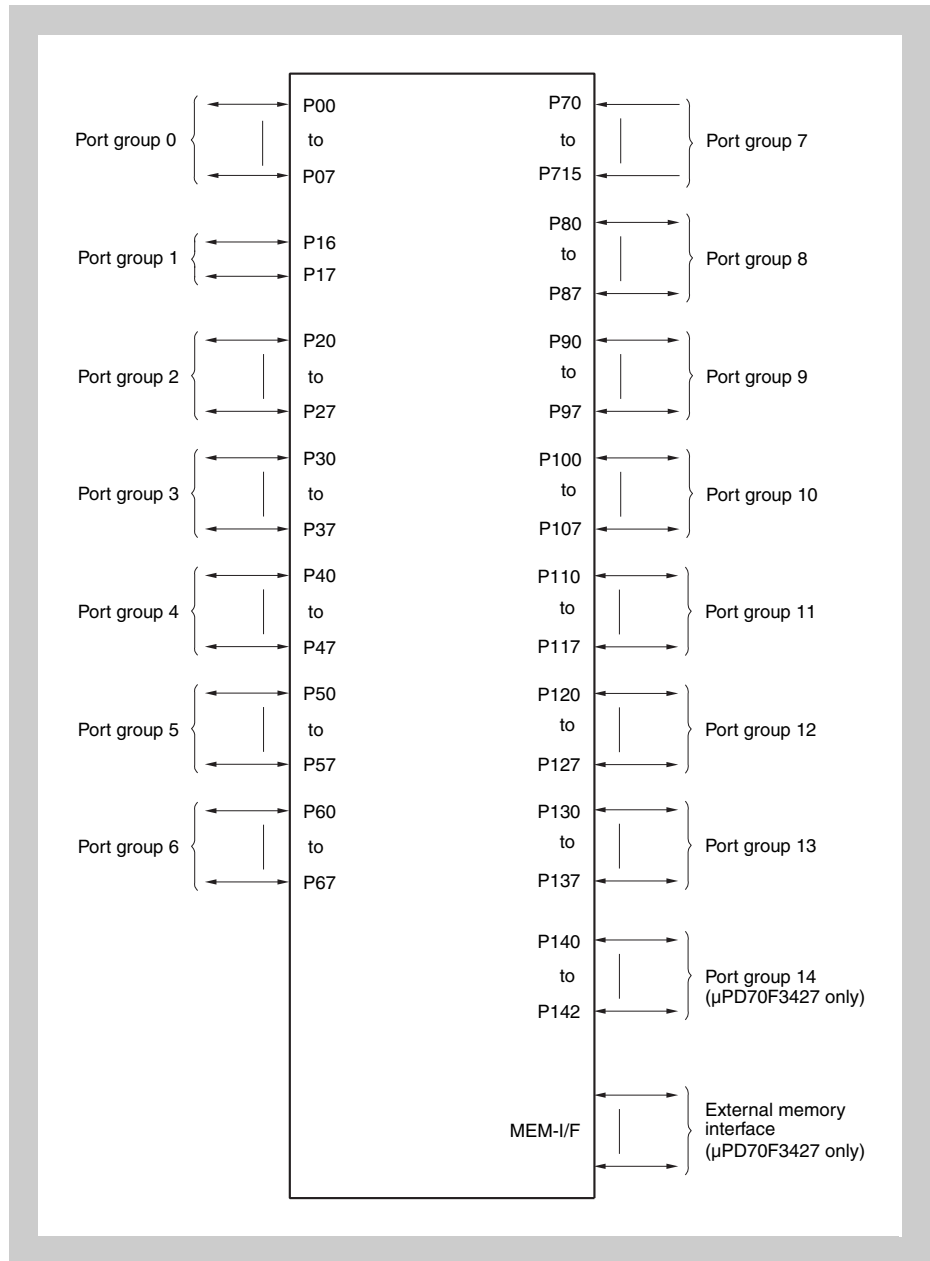


Figure 2-1 Port groups

**Port group overview** Table 2-1 gives an overview of the port groups. For each port group it shows the supported functions in port mode and in alternative mode. Any port group can operate in 8-bit or 1-bit units. Port group 7 can additionally operate in 16-bit units.

**Table 2-1 Functions of each port group (1/2)**

Port group name	Function	
	Port mode	Alternative mode
0	8-bit input/output	<ul style="list-style-type: none"> <li>External interrupt 0 to 6</li> <li>Non maskable interrupt</li> <li>N-Wire debug interface reset</li> <li>Output state of internal Voltage Comparators 0 and 1</li> </ul>
1	2-bit input/output	<ul style="list-style-type: none"> <li>I<sup>2</sup>C0 data/clock line</li> </ul>
2	8-bit input/output	<ul style="list-style-type: none"> <li>Timer TMG0 to TMG1 channels</li> <li>I<sup>2</sup>C1 data/clock line</li> <li>LCD controller segment signal output (μPD70F3421, μPD70F3422, μPD70F3423 only)</li> </ul>
3	8-bit input/output	<ul style="list-style-type: none"> <li>UARTA0 transmit/receive data,</li> <li>UARTA1 transmit/receive data</li> <li>I<sup>2</sup>C1 data/clock line</li> <li>LCD controller segment signal output (μPD70F3421, μPD70F3422, μPD70F3423 only)</li> <li>Timer TMG2 channels</li> <li>Timer TMP0 to TMP3 channels</li> <li>External memory interface data lines 18, 19 (μPD70F3427 only)</li> </ul>
4	8-bit input/output	<ul style="list-style-type: none"> <li>Clocked Serial Interface CSIB0 data/clock line</li> <li>Clocked Serial Interface CSIB1 data/clock line</li> <li>External interrupt 6</li> <li>LCD controller segment signal output (μPD70F3421, μPD70F3422, μPD70F3423 only)</li> <li>CAN0 transmit/receive data</li> </ul>
5	8-bit input/output	<ul style="list-style-type: none"> <li>External interrupt 7 (μPD70F3424, μPD70F3425, μPD70F3426A, μPD70F3427 only)</li> <li>Sound Generator outputs</li> <li>Frequency output</li> <li>N-Wire interface signals</li> <li>CAN1 transmit/receive data</li> <li>UARTA1 transmit/receive data</li> </ul>
6	8-bit input/output	<ul style="list-style-type: none"> <li>Timer TMP0 to TMP3 channels</li> <li>Timer TMG2 channels</li> <li>LCD controller segment signal output (μPD70F3421, μPD70F3422, μPD70F3423 only)</li> <li>I<sup>2</sup>C0 data/clock line</li> </ul>
7	16-bit input	<ul style="list-style-type: none"> <li>A/D Converter input <ul style="list-style-type: none"> <li>μPD70F3424, μPD70F3425, μPD70F3426A, μPD70F3427: 16 channels</li> <li>μPD70F3421, μPD70F3422, μPD70F3423: 12 channels</li> </ul> </li> </ul>

Table 2-1 Functions of each port group (2/2)

Port group name	Function	
	Port mode	Alternative mode
8	8-bit input/output	<ul style="list-style-type: none"> <li>Clocked Serial Interface CSIB2 data/clock line (<math>\mu</math>PD70F3424, <math>\mu</math>PD70F3425, <math>\mu</math>PD70F3426A, <math>\mu</math>PD70F3427 only)</li> <li>LCD controller segment signal output (<math>\mu</math>PD70F3421, <math>\mu</math>PD70F3422, <math>\mu</math>PD70F3423 only)</li> <li>Timer TMY0 output</li> <li>Frequency output</li> <li>Inverted frequency output</li> <li>External interrupt 7 (<math>\mu</math>PD70F3424, <math>\mu</math>PD70F3425, <math>\mu</math>PD70F3426A, <math>\mu</math>PD70F3427 only)</li> <li>UARTA0 transmit/receive data</li> <li>External memory interface data lines 16, 17 (<math>\mu</math>PD70F3427 only)</li> </ul>
9	8-bit input/output	<ul style="list-style-type: none"> <li>LCD Bus I/F data lines (<math>\mu</math>PD70F3424, <math>\mu</math>PD70F3425, <math>\mu</math>PD70F3426A, <math>\mu</math>PD70F3427 only)</li> <li>Clocked Serial Interface CSIB1 data/clock line</li> <li>Clocked Serial Interface CSIB2 data/clock line (<math>\mu</math>PD70F3424, <math>\mu</math>PD70F3425, <math>\mu</math>PD70F3426A, <math>\mu</math>PD70F3427 only)</li> <li>LCD controller segment/common signal output (<math>\mu</math>PD70F3421, <math>\mu</math>PD70F3422, <math>\mu</math>PD70F3423 only)</li> <li>External memory interface data lines 24 to 31 (<math>\mu</math>PD70F3427 only)</li> </ul>
10	8-bit input/output	<ul style="list-style-type: none"> <li>Timer TMP0 to TMP3 channels</li> <li>LCD Bus I/F read/write strobe</li> <li>LCD controller segment signal output (<math>\mu</math>PD70F3421, <math>\mu</math>PD70F3422, <math>\mu</math>PD70F3423 only)</li> <li>Clocked Serial Interface CSIB0 data/clock line</li> <li>External memory interface data lines 20 to 23 (<math>\mu</math>PD70F3427 only)</li> </ul>
11	8-bit input/output	<ul style="list-style-type: none"> <li>Stepper Motor Controller/Driver outputs</li> <li>Timer TMG2 channels (<math>\mu</math>PD70F3424, <math>\mu</math>PD70F3425, <math>\mu</math>PD70F3426A, <math>\mu</math>PD70F3427 only)</li> <li>Sound Generator outputs</li> </ul>
12	8-bit input/output	<ul style="list-style-type: none"> <li>Stepper Motor Controller/Driver outputs</li> </ul>
13	8-bit input/output	<ul style="list-style-type: none"> <li>Stepper Motor Controller/Driver outputs</li> <li>Timer TMG0 to TMG1 channels</li> </ul>
14	3-bit input/output	External memory interface for $\mu$ PD70F3427 only: <ul style="list-style-type: none"> <li>Bus clock</li> <li>Byte enable 2, 3</li> </ul>
MEM-I/F	–	External memory interface ( $\mu$ PD70F3427 only): <ul style="list-style-type: none"> <li>Address lines 0 to 23</li> <li>Chip selects 0, 1, 3, 4</li> <li>Read/write strobe</li> <li>Data wait request</li> <li>Byte enable 0, 1</li> <li>Data lines 0 to 15</li> </ul>

**Pin configuration** To define the function and the electrical characteristics of a pin, several control registers are provided.

- For a general description of the registers, see *“Port Group Configuration Registers” on page 33.*
- For every port, detailed information on the configuration registers is given in *“Port Group Configuration” on page 54.*

There are three types of control circuits, defined as port types. For a description of the port types, see *“Port Types Diagrams” on page 49.*

### 2.1.2 Terms

In this section, the following terms are used:

- **Pin**

Denotes the physical pin. Every pin is uniquely denoted by its pin number. A pin can be used in several modes. Depending on the selected mode, a pin name is allocated to the pin.

- **Port group**

Denotes a group of pins. The pins of a port group have a common set of port mode control registers.

- **Port mode / Port**

A pin in port mode works as a general purpose input/output pin. It is then called “port”.

The corresponding name is Pnm. For example, P07 denotes port 7 of port group 0. It is referenced as “port P07”.

- **Alternative mode**

In alternative mode, a pin can work in various non-general purpose input/output functions, for example, as the input/output pin of on-chip peripherals. The corresponding pin name depends on the selected function. For example, pin INTPO denotes the pin for one of the external interrupt inputs. Note that for example P00 and INTPO denote the same physical pin. The different names indicate the function in which the pin is being operated.

- **Port type**

A control circuit evaluates the settings of the configuration registers. There are different types of control circuits, called “port types”.

### 2.1.3 Noise elimination

The input signals at some pins are passing a filter to remove noise and glitches. The microcontroller supports both analog and digital filters. The analog filters are always applied to the input signals, whereas the digital filters can be enabled/disabled by control registers.

See “*Noise Elimination*” on page 104 for a detailed description.

## 2.2 Port Group Configuration Registers

This section starts with an overview of all configuration registers and then presents all registers in detail. The configuration registers are classified in the following groups:

- “Pin function configuration” on page 34
- “Pin data input/output” on page 39
- “Configuration of electrical characteristics” on page 41
- “Alternative input selection” on page 44

### 2.2.1 Overview

For the configuration of the individual pins of the port groups, the following registers are used:

**Table 2-2 Registers for port group configuration**

Register name	Shortcut	Function
Port mode register	PMn	Pin function configuration
Port mode control register	PMCn	
Port function control register	PFCn	
Port LCD control register	PLCDCn	
On-chip debug mode register	OCDM	
Port register	Pn	Pin data input/output
Port read control register	PRCn	
Port pin read register	PPRn	
Port drive strength control register	PDSCn	Configuration of electrical characteristics
Port input characteristic control register	PICCN	
Port input level control register	PILCn	
Port open drain control register	PODCn	
Peripheral function select register	PFSR0 to PFSR3	Alternative input selection

n = 0 to 14

## 2.2.2 Pin function configuration

The registers for pin function configuration define the general function of a pin:

- input mode or output mode
- port mode or alternative mode
- selection of one of the alternative output functions ALT1-OUT/ALT2-OUT
- pin usage for LCD Controller/Driver output LCD\_OUT
- normal mode or on-chip debug mode (N-Wire interface)

An overview of the register settings is given in the table below.

Table 2-3 Pin function configuration (overview)

Function	Registers					I/O
	OCDM	PLCDC	PMC	PFC	PM	
Port mode (output)	0	0	0	X	0	O
Port mode (input)				X	1	I
Alternative output 1 mode			1	0	0	O
Alternative output 2 mode				1	0	O
Alternative input mode				X	1	I
LCD signal output (segment or common signal)			1	X	X	X
On-chip debug mode <sup>a)</sup>	1	X	X	X	X	I/O

<sup>a)</sup> In on-chip debug mode, the corresponding pins are automatically set as input or output pins to provide the N-Wire interface. In this mode the configuration of these pins can not be changed by the pin configuration registers.



**(1) PMn - Port mode register**

The 8-bit PMn register specifies whether the individual pins of the port group n are in input mode or in output mode.

**Access** This register can be read/written in 8-bit and 1-bit units.

**Address** see “Port Group Configuration” on page 54

**Initial Value** FF<sub>H</sub>. This register is initialized by any reset.

7	6	5	4	3	2	1	0
PMn7	PMn6	PMn5	PMn4	PMn3	PMn2	PMn1	PMn0
R/W	R/W	R/W	R/W	R/W	R/W	R/W	R/W

**Table 2-4 PMn register contents**

Bit position	Bit name	Function
7 to 0	PMn[7:0]	Specifies input/output mode of the corresponding pin 0: Output mode (output enabled) 1: Input mode (output disabled)

**(2) PMcN - Port mode control register**

The PMcN register specifies whether the individual pins of port group n are in port mode or in alternative mode.

For port groups with up to eight ports, this is an 8-bit register. For port groups with up to 16 ports, this is a 16-bit register.

**Access** This register can be read/written in 8-bit and 1-bit units. 16-bit registers can also be read/written in 16-bit units.

**Address** see "Port Group Configuration" on page 54

**Initial Value** 00<sub>H</sub> or 0000<sub>H</sub>. This register is initialized by any reset.

7	6	5	4	3	2	1	0
PMcN7	PMcN6	PMcN5	PMcN4	PMcN3	PMcN2	PMcN1	PMcN0
R/W	R/W	R/W	R/W	R/W	R/W	R/W	R/W

15	14	13	12	11	10	9	8	7	6	5	4	3	2	1	0
PMcN15	PMcN14	PMcN13	PMcN12	PMcN11	PMcN10	PMcN9	PMcN8	PMcN7	PMcN6	PMcN5	PMcN4	PMcN3	PMcN2	PMcN1	PMcN0
R/W	R/W	R/W	R/W	R/W	R/W	R/W	R/W	R/W	R/W	R/W	R/W	R/W	R/W	R/W	R/W

Table 2-5 PMcN register contents

Bit position	Bit name	Function
7 to 0 or 15 to 0	PMcN[7:0] or PMcN[15:0]	Specifies the operation mode of the corresponding pin 0: Port mode 1: Alternative mode

**(3) PFCn - Port function control register**

If a pin is in alternative mode and serves as an output pin (PMn.PMnm = 0) some pins offer two output functions ALT1-OUT and ALT2-OUT.

The 8-bit PFCn register specifies which output function of a pin is to be used.

**Access** This register can be read/written in 8-bit and 1-bit units.

**Address** see "Port Group Configuration" on page 54

**Initial Value** PFC0: 20<sub>H</sub>

other PFCn: 00<sub>H</sub>

This register is initialized by any reset.

7	6	5	4	3	2	1	0
PFCn7	PFCn6	PFCn5	PFCn4	PFCn3	PFCn2	PFCn1	PFCn0
R/W	R/W	R/W	R/W	R/W	R/W	R/W	R/W

Table 2-6 PFCn register contents

Bit position	Bit name	Function
7 to 0	PFCn[7:0]	Specifies the output function of the pin 0: Alternative output mode 1 (ALT1-OUT) 1: Alternative output mode 2 (ALT2-OUT) See "Port Group Configuration" on page 54 for a list of the possible output modes.

**(4) PLDCn - Port LCD control register**

Some port groups comprise pins for signal output of the LCD Controller Driver. For those port groups, the 8-bit PLDCn register specifies whether an individual pin of port group n serves as an output pin of the LCD Controller/Driver or not.

**Access** This register can be read/written in 8-bit and 1-bit units.

**Address** see "Port Group Configuration" on page 54

**Initial Value** 00<sub>H</sub>. This register is initialized by any reset.

7	6	5	4	3	2	1	0
PLDCn7	PLDCn6	PLDCn5	PLDCn4	PLDCn3	PLDCn2	PLDCn1	PLDCn0
R/W	R/W	R/W	R/W	R/W	R/W	R/W	R/W

**Table 2-7** PLDCn register contents

Bit position	Bit name	Function
7 to 0	PLDCn[7:0]	Enables LCD function of the pin: 0: Pin is not allocated to the LCD Controller/Driver. Pin function is specified in PMn, PMCn and PFCn 1: Pin serves as an output pin of the LCD Controller/Driver. Data is output directly from buffers of the LCD Controller/Driver. Bit Pn.Pnm is neglected.

**Note** If PLDCn.PLDCnm = 1, the settings of the bits m in registers PMn, PMCn, and PFCn are neglected.

**(5) OCDM - On-chip debug mode register**

The 8-bit OCDM register specifies whether dedicated pins of the microcontroller operate in normal operation mode or can be used for on-chip debugging (N-Wire interface). The setting of this register concerns only those pins that can be used for the N-Wire interface: P05/DRST, P52/DDI, P53/DDO, P54/DCK, and P55/DMS.

To make these pins available for on-chip debugging, bit OCDM.OCDM0 must be set while pin DRST is high. If the on-chip debug mode is selected, the corresponding pins are automatically set as input or output pins, respectively. Setting of bits PMn.PMnm is not necessary.

For more details refer to “On-Chip Debug Unit“ on page 969.

**Access** This register can be read/written in 8-bit and 1-bit units.

**Address** FFFF F9FC<sub>H</sub>

**Initial Value** 00<sub>H</sub>/01<sub>H</sub>:

- After Power-On Clear reset, the normal operation mode is selected (OCDM.OCDM0 = 0).
- After external reset, the dedicated pins are available for on-chip debugging (OCDM.OCDM0 = 1).
- After any other reset, bit OCDM0 holds the same value as before the reset.

7	6	5	4	3	2	1	0
0	0	0	0	0	0	0	OCDM0
R/W	R/W	R/W	R/W	R/W	R/W	R/W	R/W

**Table 2-8** OCDM register contents

Bit position	Bit name	Function
0	OCDM0	Enables/disables N-Wire interface: 0: Pins are used in normal operation mode (port mode or alternative mode). 1: Pins are used in on-chip debug mode.

**Note** If the pins P05/ $\overline{\text{DRST}}$ , P52/DDI, P53/DDO, P54/DCK, and P55/DMS are used as N-Wire interface pins their configuration can not be changed by the pin configuration registers.

### 2.2.3 Pin data input/output

If a pin is in port mode, the registers for pin data input/output specify the input and output data.

#### (1) Pn - Port register

In port mode (PM<sub>Cn</sub>.PM<sub>Cnm</sub>=0), data is input from or output to an external device by writing or reading the P<sub>n</sub> register.

For port groups with up to eight ports, this is an 8-bit register. For port groups with up to 16 ports, this is a 16-bit register.

**Access** This register can be read/written in 8-bit and 1-bit units. 16-bit registers can also be read/written in 16-bit units.

**Address** see “Port Group Configuration“ on page 54

**Initial Value** 00<sub>H</sub> or 0000<sub>H</sub>. This register is cleared by any reset.

**Note** After reset, the ports are in input mode (PM<sub>n</sub>.PM<sub>nm</sub> = 1). The read input value is determined by the port pins.

								7	6	5	4	3	2	1	0
								Pn7	Pn6	Pn5	Pn4	Pn3	Pn2	Pn1	Pn0
								R/W	R/W	R/W	R/W	R/W	R/W	R/W	R/W
15	14	13	12	11	10	9	8	7	6	5	4	3	2	1	0
Pn15	Pn14	Pn13	Pn12	Pn11	Pn10	Pn9	Pn8	Pn7	Pn6	Pn5	Pn4	Pn3	Pn2	Pn1	Pn0
R/W	R/W	R/W	R/W	R/W	R/W	R/W	R/W	R/W	R/W	R/W	R/W	R/W	R/W	R/W	R/W

**Table 2-9 Pn register contents**

Bit position	Bit name	Function
7 to 0 or 15 to 0	Pn[7:0] or Pn[15:0]	Data, see <i>Table 2-10</i> for details.

**Note** The value written to register P<sub>n</sub> is retained until a new value is written to register P<sub>n</sub>.

Data is written to or read from the P<sub>n</sub> register as follows:

**Table 2-10 Writing/reading register Pn**

Function	PRC	PM	I/O
Write to P <sub>n</sub> and output contents of P <sub>n</sub> to pins	X	0	O
Write to P <sub>n</sub> without affecting the pin status	X	1	I
Read from P <sub>n</sub> and thus read the pin status	0	1	I
Read from P <sub>n</sub> and disregard the pin status	X	0	O
	1	1	I

**(2) PRCn - Port read control register**

In input mode ( $PMn.PMnm = 1$ ), the 8-bit PRCn register specifies whether the pin status or the contents of register Pn are read (see also *Table 2-10*). Each PRCn register contains only one control bit which defines the read source of all ports of the entire port group n.

**Access** This register can be read/written in 8-bit and 1-bit units.

**Address** see “Port Group Configuration” on page 54

**Initial Value** 00<sub>H</sub>. This register is cleared by any reset.

7	6	5	4	3	2	1	0
X	X	X	X	X	X	X	PRCn0
R/W	R/W	R/W	R/W	R/W	R/W	R/W	R/W

**Table 2-11** PRCn register contents

Bit position	Bit name	Function
0	PRCn0	Specifies which data are to be read in port group n: 0: Pin status is read 1: Contents of Pn are read

**Note** If  $PMn.PMnm = 0$ , the contents of Pn are read in any case - independent of PRCn.PRCnm.

**(3) PPRn - Port pin read register**

The 8-bit PPRn register reflects the actual pin value, independent of the control registers set-up.

**Access** This register is read-only, in 8-bit and 1-bit units.  
16-bit registers can also be read in 16-bit units.

**Address** see “Port Group Configuration” on page 54

**Initial Value** 00<sub>H</sub> or 0000<sub>H</sub>. This register is cleared by any reset.

7	6	5	4	3	2	1	0
PPRn7	PPRn6	PPRn5	PPRn4	PPRn3	PPRn2	PPRn1	PPRn0
R	R	R	R	R	R	R	R

**Table 2-12** PPRn register contents

Bit position	Bit name	Function
7 to 0	PPRn[7:0]	Actual pin value

## 2.2.4 Configuration of electrical characteristics

The registers for the configuration of electrical characteristics are briefly described in the following. For details refer to the Data Sheet.

### (1) PDSCn - Port drive strength control register

The 8-bit PDSCn register selects the output current limiting function for high- or low-drive strength.

**Access** This register can be read/written, in 8-bit and 1-bit units.

**Address** see "Port Group Configuration" on page 54

**Initial Value** 00<sub>H</sub>. This register is cleared by any reset.

7	6	5	4	3	2	1	0
PDSCn7	PDSCn6	PDSCn5	PDSCn4	PDSCn3	PDSCn2	PDSCn1	PDSCn0
R/W	R/W	R/W	R/W	R/W	R/W	R/W	R/W

Table 2-13 PDSCn register contents

Bit position	Bit name	Function
7 to 0	PDSCn[7:0]	Specifies output current limiting function: 0: Limit 1. 1: Limit 2.

For the detailed specification of "Limit 1" and "Limit 2" refer to the Data Sheet.

### (2) PICCn - Port input characteristic control register

The 8-bit PICCn register selects between Schmitt Trigger or non-Schmitt Trigger input characteristics.

**Access** This register can be read/written in 8-bit and 1-bit units.

**Address** see "Port Group Configuration" on page 54

**Initial Value** FF<sub>H</sub>. This register is cleared by any reset.

7	6	5	4	3	2	1	0
PICCn7	PICCn6	PICCn5	PICCn4	PICCn3	PICCn2	PICCn1	PICCn0
R/W	R/W	R/W	R/W	R/W	R/W	R/W	R/W

Table 2-14 PICCn register contents

Bit position	Bit name	Function
7 to 0	PICCn[7:0]	Specifies Trigger input characteristics: 0: non-Schmitt Trigger 1: Schmitt Trigger

**(3) PILCn - Port input level control register**

The PILCn register selects between different input characteristics for Schmitt Trigger (PICCn.PICCnm = 1) and non-Schmitt Trigger (PICCn.PICCnm = 0).

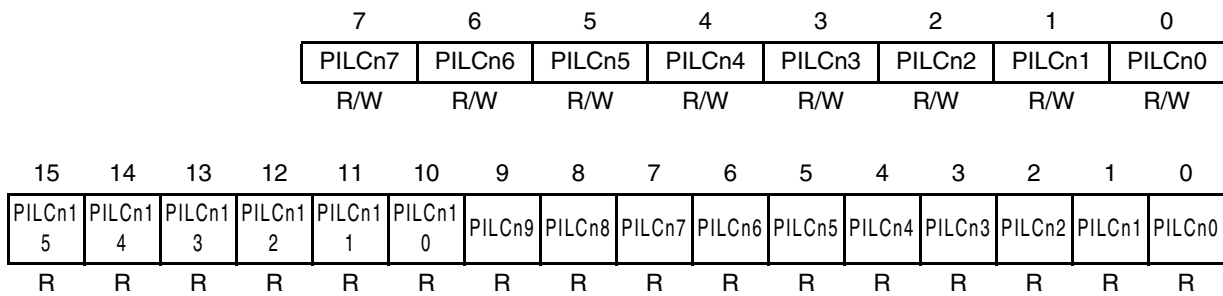
For port groups with up to eight ports, this is an 8-bit register. For port groups with up to 16 ports, this is a 16-bit register.

**Access** This register can be read/written in 8-bit and 1-bit units. 16-bit registers can also be read/written in 16-bit units.

**Address** see “Port Group Configuration” on page 54

**Initial Value** 00<sub>H</sub>

This register is initialized by any reset.



**Table 2-15** PILCn register contents

Bit position	Bit name	Function
7 to 0 or 15 to 0	PILCn[7:0] or PILCn[15:0]	Selects the input level: for Schmitt Trigger (PICCn.PICCnm = 1): 0: Schmitt 1 1: Schmitt 2 for non-Schmitt Trigger (PICCn.PICCnm = 0): 0: CMOS1 1: CMOS2



**(4) PODCn - Port open drain control register**

The PODCn register selects the output buffer function as push-pull or open-drain emulation.

**Access** This register can be read/written in 8-bit and 1-bit units.

**Address** see “Port Group Configuration” on page 54

**Initial Value** 00<sub>H</sub>. This register is cleared by any reset.

7	6	5	4	3	2	1	0
PODCn7	PODCn6	PODCn5	PODCn4	PODCn3	PODCn2	PODCn1	PODCn0
R/W	R/W	R/W	R/W	R/W	R/W	R/W	R/W

**Table 2-16** PODCn register contents

Bit position	Bit name	Function
7 to 0	PODCn[7:0]	Specifies the output buffer function: 0: push-pull 1: open drain emulation output mode

If open drain emulation is enabled the output function of concerned pin is automatically enabled as well, independently of the PMn.PMnm setting.

**Caution** Depending on the capacitive load applied to an output pin Pnm (PMnm = 0) in open-drain emulation (PODCnm = 1) a change from low to high level may take a remarkable rise time.

Hence a read of the port pin status

- via the PPRn register or
- Pn register with PRCn = 0 (pin status read)

immediately after setting Pnm to high level may still return low level at Pnm.

Particular attention is needed when a read-modify-write instruction (SET1, CLR1, NOT1) is executed after setting Pnm = 1 (with PRCn0 = 0) to manipulate another port pin of the same port group n during the rise time of the Pnm output.

In this case the read of Pnm may show 0 (though it should be 1) and the 0 is written back to Pnm at the end of the read-modify-write instruction. Consequently Pnm may never reach high level at the output pin.

### 2.2.5 Alternative input selection

Alternative input functions of CSIB0...CSIB2, UART0...UART1, I<sup>2</sup>C0, I<sup>2</sup>C1, INTP6, INTP7, TMP0...TMP3 and TMG0...TMG2 are provided on two pins each. Thus you can select on which pin the alternative function should appear. For this purpose, four peripheral function select registers PFSR<sub>k</sub> (k = 0 to 3) are provided.

**Note** The selection of the alternative *input* function is done by a different circuit than the selection of the alternative *output* function. Therefore, the registers for selecting the alternative input functions (PFSR) are not reflected in the block diagrams of the port types in chapter “Port Types Diagrams“ on page 49.

**(1) PFSR0 - Peripheral function select register**

The 8-bit PFSR0 register selects the alternative input paths for the peripheral functions CSIB0...2, I<sup>2</sup>C0, I<sup>2</sup>C1, INTP6 and INTP7.

**Access** This register can be read/written in 8-bit units.

**Address** FFFF F720<sub>H</sub>

**Initial Value** 01<sub>H</sub>. This register is initialized by any reset.

7	6	5	4	3	2	1	0
PFSR07	PFSR06	PFSR05	PFSR04	0 <sup>a</sup>	PFSR02	PFSR01	PFSR00
R/W	R/W	R/W	R/W	R	R/W	R/W	R/W

a) This bit may be written, but write is ignored.

**Table 2-17 PFSR0 register contents**

Bit position	Bit name	Function
7	PFSR07	Specifies the alternative input path for INTP7: 0: INTP7 is input from P50 (INTP7_0) 1: INTP7 is input from P84 (INTP7_1)
6	PFSR06	Specifies the alternative input path for INTP6: 0: INTP6 is input from P07 (INTP6_0) 1: INTP6 is input from P40 (INTP6_1)
5	PFSR05	Specifies the alternative input path for I <sup>2</sup> C1: 0: SCL1 is input from P21 (SCL1_0) SDA1 is input from P20 (SDA1_0) 1: SCL1 is input from P31 (SCL1_1) SDA1 is input from P30 (SDA1_1)
4	PFSR04	Specifies the alternative input path for I <sup>2</sup> C0: 0: SCL0 is input from P17 (SCL0_0) SDA0 is input from P16 (SDA0_0) 1: SCL0 is input from P64 (SCL0_1) SDA0 is input from P65 (SDA0_1)
2	PFSR02	Specifies the alternative input path for CSIB2: 0: SCKB2 is input from P82 (SCKB2_0) SIB2 is input from P80 (SIB2_0) 1: SCKB2 is input from P96 (SCKB2_1) SIB2 is input from P94 (SIB2_1)
1	PFSR01	Specifies the alternative input path for CSIB1: 0: SCKB1 is input from P45 (SCKB1_0) SIB1 is input from P43 (SIB1_0) 1: SCKB1 is input from P92 (SCKB1_1) SIB1 is input from P90 (SIB1_1)
0	PFSR00	Specifies the alternative input path for CSIB0: 0: SCKB0 is input from P42 (SCKB0_0) SIB0 is input from P40 (SIB0_0) 1: SCKB0 is input from P107 (SCKB0_1) SIB0 is input from P105 (SIB0_1)

**(2) PFSR1 - Peripheral function select register**

The 8-bit PFSR1 register selects the alternative input paths for the peripheral functions TMP0...3.

**Access** This register can be read/written in 8-bit units.

**Address** FFFF F722<sub>H</sub>

**Initial Value** 01<sub>H</sub>. This register is initialized by any reset.

7	6	5	4	3	2	1	0
PFSR17	PFSR16	PFSR15	PFSR14	PFSR13	PFSR12	PFSR11	PFSR10
R/W	R/W	R/W	R/W	R/W	R/W	R/W	R/W

**Table 2-18 PFSR1 register contents**

Bit position	Bit name	Function
7	PFSR17	Specifies the alternative input path for timer channel 1 of TMP3: 0: TIP31 is input from P67 (TIP31_0) 1: TIP31 is input from P102 (TIP31_1)
6	PFSR16	Specifies the alternative input path for timer channel 0 of TMP3: 0: TIP30 is input from P65 (TIP30_0) 1: TIP30 is input from P103 (TIP30_1)
5	PFSR15	Specifies the alternative input path for timer channel 1 of TMP2: 0: TIP21 is input from P66 (TIP21_0) 1: TIP21 is input from P103 (TIP21_1)
4	PFSR14	Specifies the alternative input path for timer channel 0 of TMP2: 0: TIP20 is input from P64 (TIP20_0) 1: TIP20 is input from P102 (TIP20_1)
3	PFSR13	Specifies the alternative input path for timer channel 1 of TMP1: 0: TIP11 is input from P63 (TIP11_0) 1: TIP11 is input from P100 (TIP11_1)
2	PFSR12	Specifies the alternative input path for timer channel 0 of TMP1: 0: TIP10 is input from P62 (TIP10_0) 1: TIP10 is input from P101 (TIP10_1)
1	PFSR11	Specifies the alternative input path for timer channel 1 of TMP0: 0: TIP01 is input from P61 (TIP01_0) 1: TIP01 is input from P101 (TIP01_1)
0	PFSR10	Specifies the alternative input path for timer channel 0 of TMP0: 0: TIP00 is input from P60 (TIP00_0) 1: TIP00 is input from P100 (TIP00_1)

**(3) PFSR2 - Peripheral function select register**

The 8-bit PFSR2 register selects the alternative input paths for the peripheral functions TMG0 and TMG1.

**Access** This register can be read/written in 8-bit units.

**Address** FFFF F724<sub>H</sub>

**Initial Value** 01<sub>H</sub>. This register is initialized by any reset.

7	6	5	4	3	2	1	0
PFSR27	PFSR26	PFSR25	PFSR24	PFSR23	PFSR22	PFSR21	PFSR20
R/W	R/W	R/W	R/W	R/W	R/W	R/W	R/W

**Table 2-19 PFSR2 register contents**

Bit position	Bit name	Function
7	PFSR27	Specifies the alternative input path for timer channel 4 of TMG1: 0: TIG14 is input from P27 (TIG14_0) 1: TIG14 is input from P137 (TIG14_1)
6	PFSR26	Specifies the alternative input path for timer channel 2 of TMG1: 0: TIG13 is input from P26 (TIG13_0) 1: TIG13 is input from P136 (TIG13_1)
5	PFSR25	Specifies the alternative input path for timer channel 2 of TMG1: 0: TIG12 is input from P25 (TIG12_0) 1: TIG12 is input from P135 (TIG12_1)
4	PFSR24	Specifies the alternative input path for timer channel 1 of TMG1: 0: TIG11 is input from P24 (TIG11_0) 1: TIG11 is input from P134 (TIG11_1)
3	PFSR23	Specifies the alternative input path for timer channel 4 of TMG0: 0: TIG04 is input from P23 (TIG04_0) 1: TIG04 is input from P133 (TIG04_1)
2	PFSR22	Specifies the alternative input path for timer channel 3 of TMG0: 0: TIG03 is input from P22 (TIG03_0) 1: TIG03 is input from P132 (TIG03_1)
1	PFSR21	Specifies the alternative input path for timer channel 2 of TMG0: 0: TIG02 is input from P21 (TIG02_0) 1: TIG02 is input from P131 (TIG02_1)
0	PFSR20	Specifies the alternative input path for timer channel 1 of TMG0: 0: TIG01 is input from P20 (TIG01_0) 1: TIG01 is input from P130 (TIG01_1)

**(4) PFSR3 - Peripheral function select register**

The 8-bit PFSR3 register selects the alternative input paths for the peripheral functions TMG2, UARTA0 and UARTA1.

**Access** This register can be read/written in 8-bit units.

**Address** FFFF F726<sub>H</sub>

**Initial Value** 01<sub>H</sub>. This register is initialized by any reset.

7	6	5	4	3	2	1	0
0	0	PFSR35	PFSR34	PFSR33	PFSR32	PFSR31	PFSR30
R <sup>a</sup>	R <sup>a</sup>	R/W	R/W	R/W	R/W	R/W	R/W

a) These bits may be written, but write is ignored.

**Table 2-20 PFSR3 register contents**

Bit position	Bit name	Function
5	PFSR35	Specifies the alternative input path for UARTA1: 0: RXDA1 is input from P33 (RXDA1_0) 1: RXDA1 is input from P56 (RXDA1_1)
4	PFSR34	Specifies the alternative input path for UARTA0: 0: RXDA0 is input from P31 (RXDA0_0) 1: RXDA0 is input from P87 (RXDA0_1)
3	PFSR33	Specifies the alternative input path for timer channel 4 of TMG2: 0: TIG24 is input from P37 (TIG24_0) 1: TIG24 is input from P63 (TIG24_1)
2	PFSR32	Specifies the alternative input path for timer channel 3 of TMG2: 0: TIG23 is input from P36 (TIG23_0) 1: TIG23 is input from P67 (TIG23_1)
1	PFSR31	Specifies the alternative input path for timer channel 2 of TMG2: 0: TIG22 is input from P35 (TIG22_0) 1: TIG22 is input from P66 (TIG22_1)
0	PFSR30	Specifies the alternative input path for timer channel 1 of TMG2: 0: TIG21 is input from P34 (TIG21_0) 1: TIG21 is input from P61 (TIG21_1)

### 2.3 Port Types Diagrams

The control circuits that evaluate the settings of the configuration registers are of different types. This chapter presents the block diagrams of all port types.

#### (1) Port type M

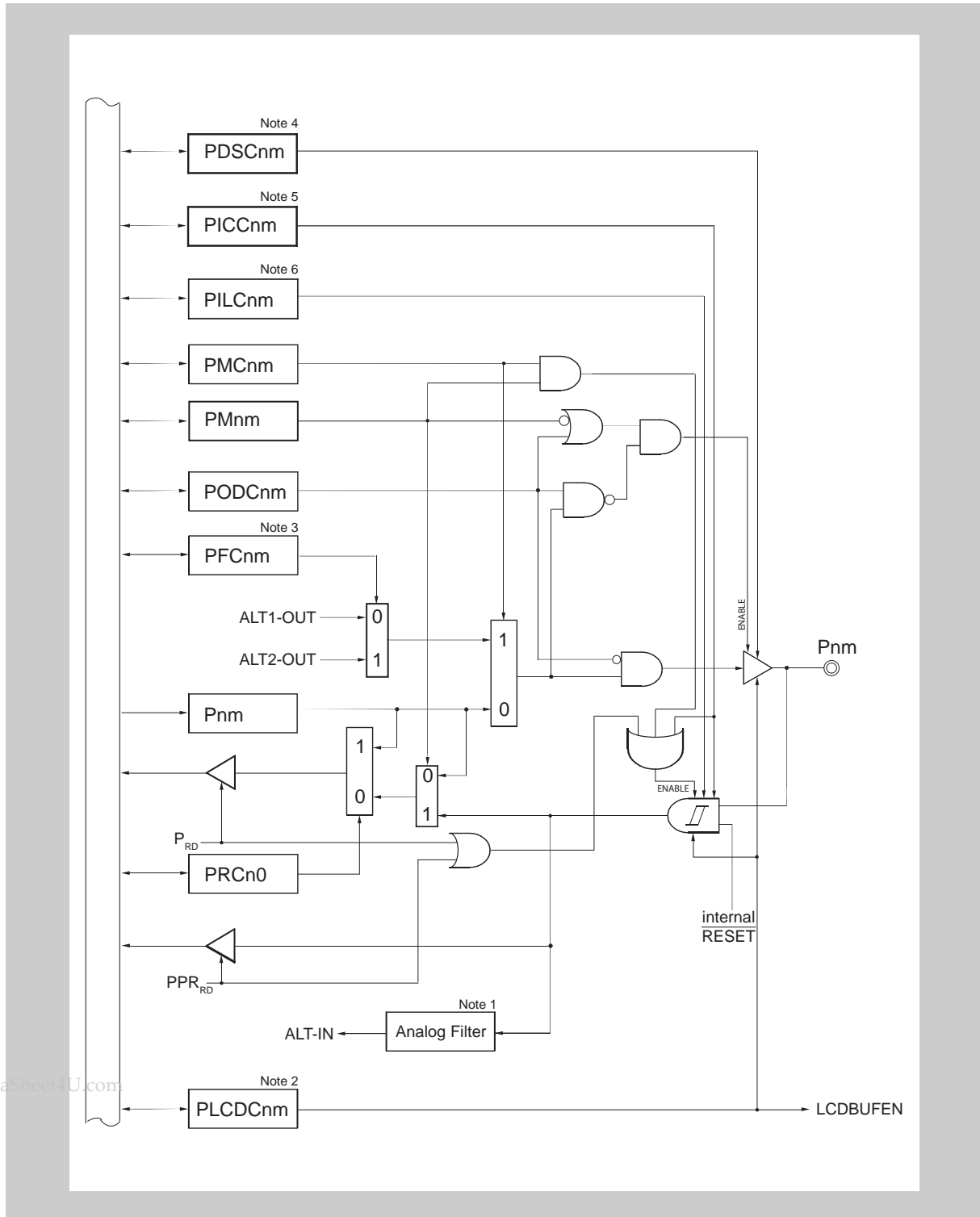


Figure 2-2 Block diagram: port type M

- Note**
1. The analog filter is provided only for alternative external interrupt ports P00–04, P06, P07, P40.  
The  $\mu$ PD70F3424,  $\mu$ PD70F3425,  $\mu$ PD70F3426A,  $\mu$ PD70F3427 provides analog filters additionally at P50 and P84.
  2. Bit PLCDCn.PLCDCnm is only provided with  $\mu$ PD70F3421,  $\mu$ PD70F3422 and  $\mu$ PD70F3423 for pins with an alternative function as LCD Controller/Driver output ports P20–27, P32–37, P43–45, P60–67, P80–83, P85–87, P90–97, P104–107.
  3. The PFCn register is available only for port groups P0, P3, P5, P6, P13.
  4. The PDSCn register is not available for port groups 11, 12, 13 and 14.  
The bits PDSC3[3:2], PDSC8[7:6], PDSC10[7:4] are not available for  $\mu$ PD70F3427.
  5. The bits PICC3[3:2], PICC8[7:6], PICC10[7:4] are not available for  $\mu$ PD70F3427.
  6. The bits PILC3[3:2], PILC8[7:6], PILC10[7:4] are not available for  $\mu$ PD70F3427.



(2) Port type Q

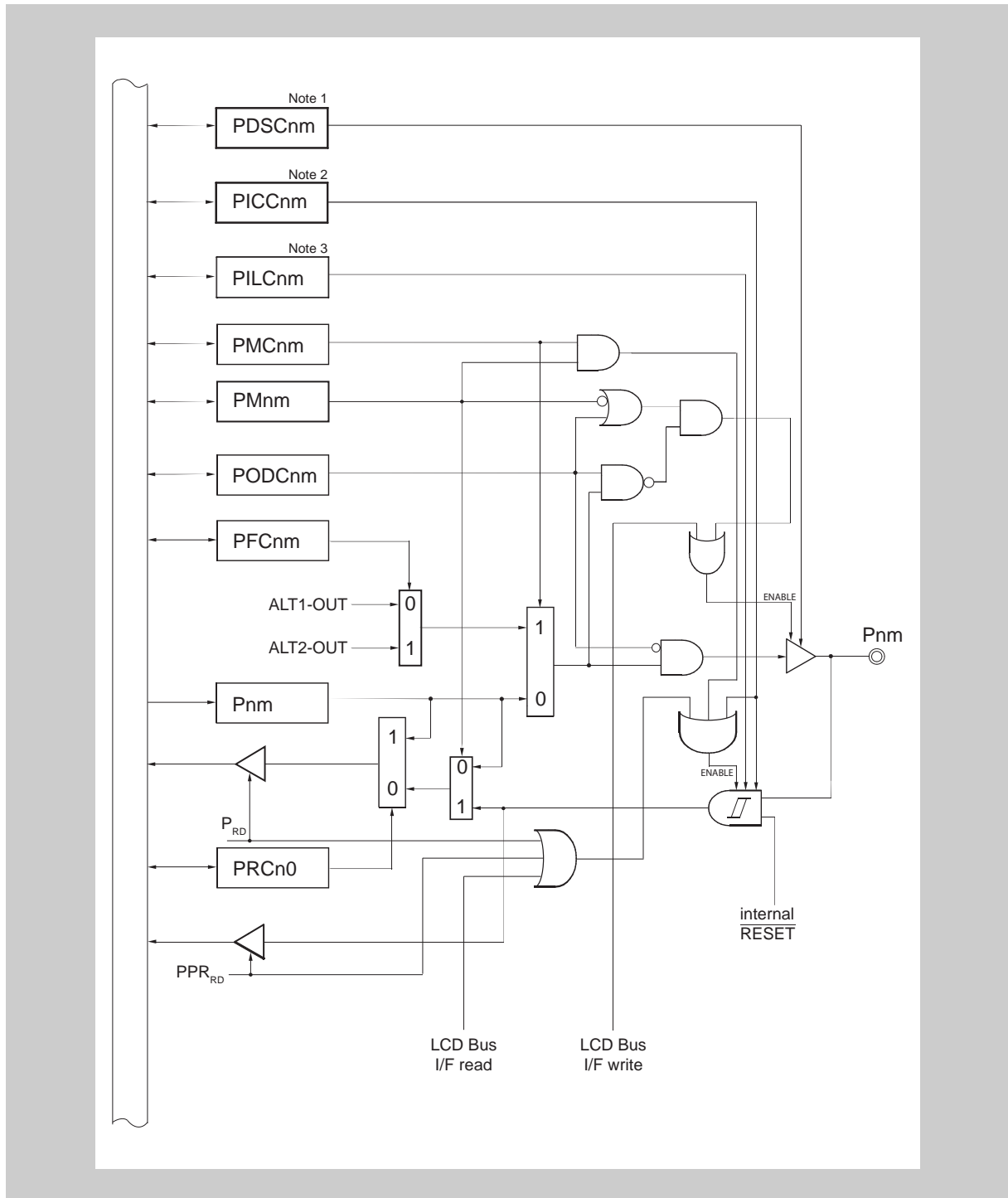
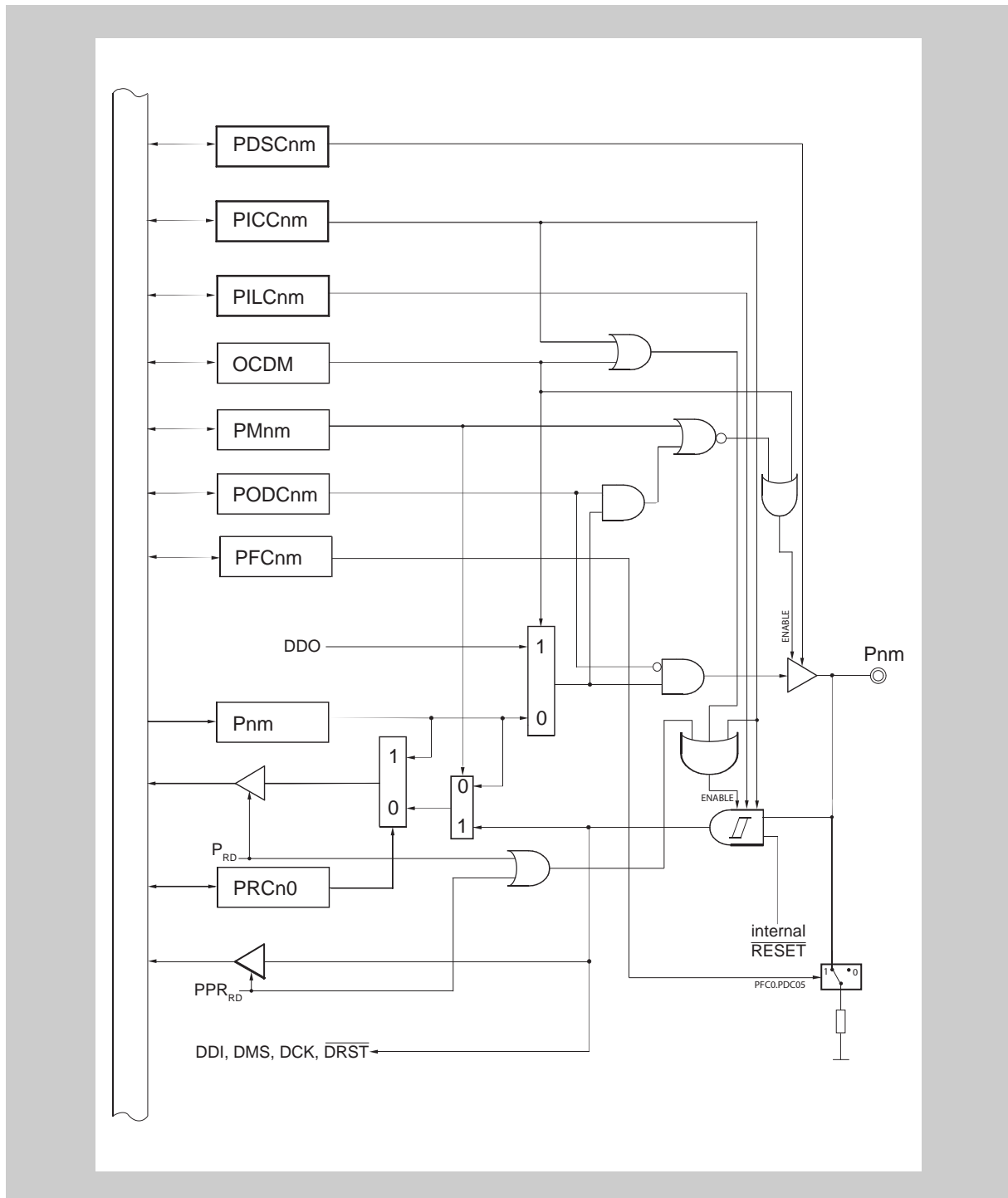


Figure 2-3 Block diagram: port type Q

- Note**
1. The PDSC9 register is not available for  $\mu$ PD70F3427.
  2. The PICC9 register is not available for  $\mu$ PD70F3427.
  3. The PILC9 register is not available for  $\mu$ PD70F3427.

**(3) Port type R**

This port type holds for pins that can be used for on-chip debugging with the N-Wire interface.



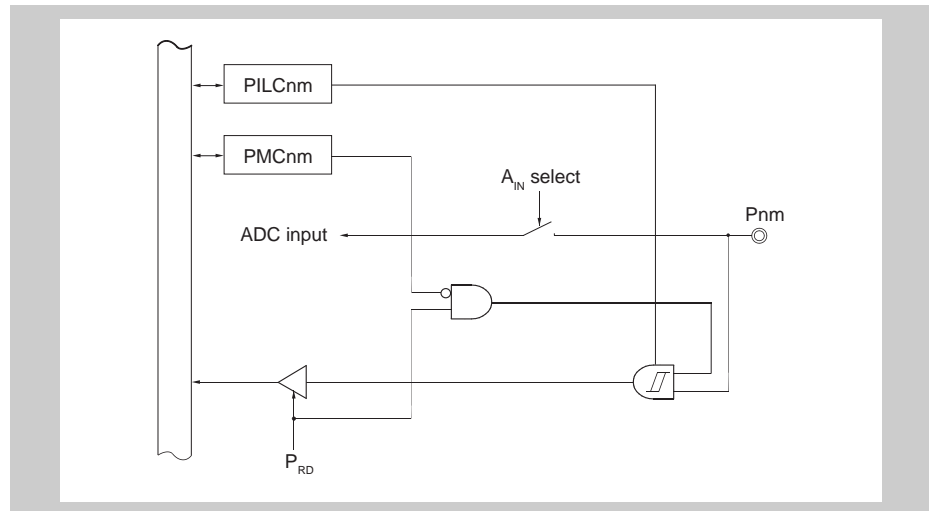
**Figure 2-4** Block diagram: port type R

www.DataSheet4U.com

**Note** If OCDM.OCDM0 = 1, the corresponding pins are operating in on-chip debug mode. The pins are automatically set as input or output pins, respectively. Setting of bits PMn.PMnm is not necessary. For more details refer to “On-Chip Debug Unit” on page 969.

**(4) Port type B**

This port type holds for pins that only work in input mode. Pins of port type B are used for the corresponding alternative input function A/D converter input. At the same time, the pin status can also be read via the port register Pn, so that the pin also works in port function.



**Figure 2-5** Block diagram: port type B

A/D conversion of the level at Pnm is independent of any register settings. For reading the pin status via the Pn register PMCNm has to be set to 0.

Since the accuracy of an A/D conversion may degrade when Pn is read during the sampling time of the A/D converter, it is recommended to disable the port pin read by  $PMCNm = 1$  during A/D conversion.

## 2.4 Port Group Configuration

This section provides an overview of the port groups (*Table 2-21, Table 2-22*) and of the pin functions (*Table 2-23 on page 62*). In *Table 2-73 on page 108* it is listed how the pin functions change if the microcontroller is reset or if it is in one of the standby modes.

In the subsections, for every port group the settings of the configuration registers is listed. Further, the addresses and initial values of the configuration registers are given. See “*Port group 0*” on page 69 to “*Port group 13*” on page 93.

### 2.4.1 Port group configuration lists

Following tables provide overviews of the functions available at each port pin:

- Table 2-21 for  $\mu$ PD70F3421,  $\mu$ PD70F3422,  $\mu$ PD70F3423
- Table 2-22 for  $\mu$ PD70F3424,  $\mu$ PD70F3425,  $\mu$ PD70F3426A,  $\mu$ PD70F3427

Table 2-21 Port group list for  $\mu$ PD70F3421,  $\mu$ PD70F3422,  $\mu$ PD70F3423 (1/4)

Port group name	Port name	Alternative outputs ALT1_OUT/ALT2_OUT/ LCD_OUT	Alternative inputs	Port type
0	P00	–	INTP0/NMI	M
	P01	–	INTP1	M
	P02	–	INTP2	M
	P03	–	INTP3	M
	P04	–	INTP4	M
	P05	–	$\overline{\text{DRST}}$	R
	P06	–	INTP5	M
	P07	VCMPO0/VCMPO1	INTP6	M
1	P16	SDA0/CTXD2	SDA0	M
	P17	SCL0	SCL0/CRXD2	M
2	P20	SDA1/TOG01/SEG0	TIG01/SDA1	M
	P21	SCL1/TOG02/SEG1	TIG02/SCL1	M
	P22	TOG03/SEG2	TIG03	M
	P23	TOG04/SEG3	TIG04	M
	P24	TOG11/SEG4	TIG11	M
	P25	TOG12/SEG5	TIG12	M
	P26	TOG13/SEG6	TIG13	M
	P27	TOG14/SEG7	TIG14	M
3	P30	TXDA0/SDA1	SDA1	M
	P31	SCL1	RXDA0/SCL1	M
	P32	TXDA1/SEG31	–	M
	P33	SEG29	RXDA1	M
	P34	TOP01/TOG21/SEG8	TIG21	M
	P35	TOP21/TOG22/SEG9	TIG22	M
	P36	TOP31/TOG23/SEG10	TIG23	M
	P37	TOP11/TOG24/SEG11	TIG24	M
4	P40	–	SIB0/INTP6	M
	P41	SOB0	–	M
	P42	SCKB0	SCKB0	M
	P43	SEG22	SIB1	M
	P44	SOB1/SEG21	–	M
	P45	SCKB1/SEG20	SCKB1	M
	P46	–	CRXD0	M
	P47	CTXD0	–	M

Table 2-21 Port group list for  $\mu$ PD70F3421,  $\mu$ PD70F3422,  $\mu$ PD70F3423 (2/4)

Port group name	Port name	Alternative outputs ALT1_OUT/ALT2_OUT/ LCD_OUT	Alternative inputs	Port type
5	P50	FOUT/SGOA	–	M
	P51	SGO	–	M
	P52	–	DDI	R
	P53	DDO	–	R
	P54	–	DCK	R
	P55	–	DMS	R
	P56	–	RXDA1/CRXD1	M
	P57	TXDA1/CTXD1	–	M
6	P60	TOP00/SEG12	TIP00/TIG20	M
	P61	TOP01/TOG21/SEG13	TIP01/TIG21	M
	P62	TOP10/SEG14	TIP10/TIG25	M
	P63	TOP11/TOG24/SEG15	TIP11/TIG24	M
	P64	SCL0/TOP20/SEG16	TIP20/SCL0	M
	P65	SDA0/TOP30/SEG17	TIP30/SDA0	M
	P66	TOP21/TOG22/SEG18	TIP21/TIG22	M
	P67	TOP31/TOG23/SEG19	TIP31/TIG23	M
7	P70	–	ANI0	B
	P71	–	ANI1	B
	P72	–	ANI2	B
	P73	–	ANI3	B
	P74	–	ANI4	B
	P75	–	ANI5	B
	P76	–	ANI6	B
	P77	–	ANI7	B
	P78	–	ANI8	B
	P79	–	ANI9	B
	P710	–	ANI10	B
	P711	–	ANI11	B
	P712	–	–	B
	P713	–	–	B
	P714	–	–	B
P715	–	–	B	
8	P80	SEG26	–	M
	P81	SEG25	–	M
	P82	SEG24	–	M
	P83	TOY0/ $\overline{\text{FOUT}}$ /SEG23	–	M
	P84	TOY0	–	M
	P85	FOUT/SEG27	–	M
	P86	TXDA0/SEG30	–	M
	P87	SEG28	RXDA0	M

Table 2-21 Port group list for  $\mu$ PD70F3421,  $\mu$ PD70F3422,  $\mu$ PD70F3423 (3/4)

Port group name	Port name	Alternative outputs ALT1_OUT/ALT2_OUT/ LCD_OUT	Alternative inputs	Port type
9	P90	DBD0/SEG36	DBD0/SIB1	Q
	P91	DBD1/SEG37/SOB1	DBD1	Q
	P92	DBD2/SEG38/SCKB1	DBD2/SCKB1	Q
	P93	DBD3/SEG39	DBD3	Q
	P94	DBD4/COM0	DBD4	Q
	P95	DBD5/COM1	DBD5	Q
	P96	DBD6/COM2	DBD6	Q
	P97	DBD7/COM3	DBD7	Q
10	P100	TOP00/TOP11	TIP00/TIP11	M
	P101	TOP01/TOP10	TIP01/TIP10	M
	P102	TOP20/TOP31	TIP20/TIP31	M
	P103	TOP21/TOP30	TIP21/TIP30	M
	P104	$\overline{\text{DBRD}}$ /SEG35	–	M
	P105	$\overline{\text{DBWR}}$ /SEG34	SIB0	M
	P106	SOB0/SEG33	–	M
	P107	SCKB0/SEG32	SCKB0	M
11	P110	SM11/TOG21	–	M
	P111	SM12/TOG22	–	M
	P112	SM13/TOG23	–	M
	P113	SM14/TOG24	–	M
	P114	SM21/SGO	–	M
	P115	SM22/SGOA	–	M
	P116	SM23	–	M
	P117	SM24	–	M
<b>Note:</b> Port group 11 is equipped with high drive buffers for stepper motor control.				
12	P120	SM51	–	M
	P121	SM52	–	M
	P122	SM53	–	M
	P123	SM54	–	M
	P124	SM61	–	M
	P125	SM62	–	M
	P126	SM63	–	M
	P127	SM64	–	M
<b>Note:</b> Port group 12 is equipped with high drive buffers for stepper motor control.				

Table 2-21 Port group list for  $\mu$ PD70F3421,  $\mu$ PD70F3422,  $\mu$ PD70F3423 (4/4)

Port group name	Port name	Alternative outputs ALT1_OUT/ALT2_OUT/ LCD_OUT	Alternative inputs	Port type
13	P130	SM31/TOG01	TIG01	M
	P131	SM32/TOG02	TIG02	M
	P132	SM33/TOG03	TIG03	M
	P133	SM34/TOG04	TIG04	M
	P134	SM41/TOG11	TIG11	M
	P135	SM42/TOG12	TIG12	M
	P136	SM43/TOG13	TIG13	M
	P137	SM44/TOG14	TIG14	M
<b>Note:</b> Port group 13 is equipped with high drive buffers for stepper motor control.				

Table 2-22 Port group list for  $\mu$ PD70F3424,  $\mu$ PD70F3425,  $\mu$ PD70F3426A,  $\mu$ PD70F3427 (1/4)

Port group name	Port name	Alternative outputs ALT1_OUT/ALT2_OUT	Alternative inputs	Port type
0	P00	–	INTP0/NMI	M
	P01	–	INTP1	M
	P02	–	INTP2	M
	P03	–	INTP3	M
	P04	–	INTP4	M
	P05	–	$\overline{\text{DRST}}$	R
	P06	–	INTP5	M
	P07	VCMPO0/VCMPO1	INTP6	M
1	P16	SDA0/CTXD2 <sup>a</sup>	SDA0	M
	P17	SCL0	SCL0/CRXD2 <sup>a</sup>	M
2	P20	SDA1/TOG01	TIG01/SDA1	M
	P21	SCL1/TOG02	TIG02/SCL1	M
	P22	TOG03	TIG03	M
	P23	TOG04	TIG04	M
	P24	TOG11	TIG11	M
	P25	TOG12	TIG12	M
	P26	TOG13	TIG13	M
	P27	TOG14	TIG14	M
3	P30	TXDA0/SDA1	SDA1	M
	P31	SCL1	RXDA0/SCL1	M
	P32	TXDA1/D18 <sup>b</sup>	D18 <sup>b</sup>	M
	P33	D19 <sup>b</sup>	RXDA1/D19 <sup>b</sup>	M
	P34	TOP01/TOG21	TIG21	M
	P35	TOP21/TOG22	TIG22	M
	P36	TOP31/TOG23	TIG23	M
	P37	TOP11/TOG24	TIG24	M



Table 2-22 Port group list for  $\mu$ PD70F3424,  $\mu$ PD70F3425,  $\mu$ PD70F3426A,  $\mu$ PD70F3427 (2/4)

Port group name	Port name	Alternative outputs ALT1_OUT/ALT2_OUT	Alternative inputs	Port type
4	P40	–	SIB0/INTP6	M
	P41	SOB0	–	M
	P42	SCKB0	SCKB0	M
	P43	–	SIB1	M
	P44	SOB1	–	M
	P45	SCKB1	SCKB1	M
	P46	–	CRXD0	M
	P47	CTXD0	–	M
5	P50	FOUT/SGOA	INTP7	M
	P51	SGO	–	M
	P52	–	DDI	R
	P53	DDO	–	R
	P54	–	DCK	R
	P55	–	DMS	R
	P56	–	RXDA1/CRXD1	M
	P57	TXDA1/CTXD1	–	M
6	P60	TOP00	TIP00/TIG20	M
	P61	TOP01/TOG21	TIP01/TIG21	M
	P62	TOP10	TIP10/TIG25	M
	P63	TOP11/TOG24	TIP11/TIG24	M
	P64	SCL0/TOP20	TIP20/SCL0	M
	P65	SDA0/TOP30	TIP30/SDA0	M
	P66	TOP21/TOG22	TIP21/TIG22	M
	P67	TOP31/TOG23	TIP31/TIG23	M
7	P70	–	ANI0	B
	P71	–	ANI1	B
	P72	–	ANI2	B
	P73	–	ANI3	B
	P74	–	ANI4	B
	P75	–	ANI5	B
	P76	–	ANI6	B
	P77	–	ANI7	B
	P78	–	ANI8	B
	P79	–	ANI9	B
	P710	–	ANI10	B
	P711	–	ANI11	B
	P712	–	ANI12	B
	P713	–	ANI13	B
	P714	–	ANI14	B
P715	–	ANI15	B	

Table 2-22 Port group list for  $\mu$ PD70F3424,  $\mu$ PD70F3425,  $\mu$ PD70F3426A,  $\mu$ PD70F3427 (3/4)

Port group name	Port name	Alternative outputs ALT1_OUT/ALT2_OUT	Alternative inputs	Port type
8	P80	–	SIB2	M
	P81	SOB2	–	M
	P82	SCKB2	SCKB2	M
	P83	TOY0/ $\overline{\text{FOU}}$	–	M
	P84	TOY0	INTP7	M
	P85	FOUT	–	M
	P86	TXDA0/D16 <sup>b</sup>	D16 <sup>b</sup>	M
	P87	D17 <sup>b</sup>	RXDA0/D17 <sup>b</sup>	M
9	P90	DBD0/D24 <sup>b</sup>	DBD0/SIB1/ D24 <sup>b</sup>	Q
	P91	DBD1/SOB1/D25 <sup>b</sup>	DBD1/D25 <sup>b</sup>	Q
	P92	DBD2/SCKB1/D26 <sup>b</sup>	DBD2/SCKB1/ D26 <sup>b</sup>	Q
	P93	DBD3/D27 <sup>b</sup>	DBD3/D27 <sup>b</sup>	Q
	P94	DBD4/D28 <sup>b</sup>	DBD4/SIB2/ D28 <sup>b</sup>	Q
	P95	DBD5/SOB2/D29 <sup>b</sup>	DBD5/D29 <sup>b</sup>	Q
	P96	DBD6/SCKB2/D30 <sup>b</sup>	DBD6/SCKB2/ D30 <sup>b</sup>	Q
	P97	DBD7/D31 <sup>b</sup>	DBD7/D31 <sup>b</sup>	Q
10	P100	TOP00/TOP11	TIP00/TIP11	M
	P101	TOP01/TOP10	TIP01/TIP10	M
	P102	TOP20/TOP31	TIP20/TIP31	M
	P103	TOP21/TOP30	TIP21/TIP30	M
	P104	$\overline{\text{DBRD}}$ /D20 <sup>b</sup>	D20 <sup>b</sup>	M
	P105	$\overline{\text{DBWR}}$ /D21 <sup>b</sup>	SIB0/D21 <sup>b</sup>	M
	P106	SOB0/D22 <sup>b</sup>	D22 <sup>b</sup>	M
	P107	SCKB0/D23 <sup>b</sup>	SCKB0/D23 <sup>b</sup>	M
11	P110	SM11/TOG21	–	M
	P111	SM12/TOG22	–	M
	P112	SM13/TOG23	–	M
	P113	SM14/TOG24	–	M
	P114	SM21/SGO	–	M
	P115	SM22/SGOA	–	M
	P116	SM23	–	M
	P117	SM24	–	M

**Note:** Port group 11 is equipped with high drive buffers for stepper motor control.

Table 2-22 Port group list for  $\mu$ PD70F3424,  $\mu$ PD70F3425,  $\mu$ PD70F3426A,  $\mu$ PD70F3427 (4/4)

Port group name	Port name	Alternative outputs ALT1_OUT/ALT2_OUT	Alternative inputs	Port type
12	P120	SM51	–	M
	P121	SM52	–	M
	P122	SM53	–	M
	P123	SM54	–	M
	P124	SM61	–	M
	P125	SM62	–	M
	P126	SM63	–	M
	P127	SM64	–	M
<b>Note:</b> Port group 12 is equipped with high drive buffers for stepper motor control.				
13	P130	SM31/TOG01	TIG01	M
	P131	SM32/TOG02	TIG02	M
	P132	SM33/TOG03	TIG03	M
	P133	SM34/TOG04	TIG04	M
	P134	SM41/TOG11	TIG11	M
	P135	SM42/TOG12	TIG12	M
	P136	SM43/TOG13	TIG13	M
	P137	SM44/TOG14	TIG14	M
<b>Note:</b> Port group 13 is equipped with high drive buffers for stepper motor control.				
14 <sup>b</sup>	P140	BCLK	–	M
	P141	$\overline{BE2}$	–	M
	P142	$\overline{BE3}$	–	M
MEM-I/F <sup>b</sup>	–	A[23:0]	–	
	–	$\overline{CS0}$ , $\overline{CS1}$ , $\overline{CS3}$ , $\overline{CS4}$	–	
	–	$\overline{WR}$	–	
	–	$\overline{RD}$	–	
	–	$\overline{BE0}$ , $\overline{BE1}$	–	
	–	D[15:0]	–	
	–	$\overline{WAIT}$	–	

a) not available on  $\mu$ PD70F3426Ab)  $\mu$ PD70F3427 only

## 2.4.2 Alphabetic pin function list

Table 2-23 provides a list of all pin function names in alphabetic order.

Table 2-23 Alphabetic pin functions list (1/6)

Pin name	I/O	Pin function	Port			
			$\mu$ PD70F3421, $\mu$ PD70F3422, $\mu$ PD70F3423	$\mu$ PD70F3424, $\mu$ PD70F3425	$\mu$ PD70F3426A	$\mu$ PD70F3427
A0 to A23	O	External memory interface address lines 0 to 23	–			no ports
ANI0 to ANI11	I	A/D Converter input 0 to 11	P70 to P711			
ANI12 to ANI15	I	A/D Converter input 12 to 15	–	P712 to P715		
AVDD	–	ADC supply voltage	no ports			
AVREF	–	ADC reference voltage input	no ports			
AVSS	–	ADC ground	no ports			
$\overline{\text{BE}}_0, \overline{\text{BE}}_1$	O	External memory interface byte enable signals 0, 1	–			no ports
$\overline{\text{BE}}_2$	O	External memory interface byte enable signal 2	–			P141
$\overline{\text{BE}}_3$	O	External memory interface byte enable signal 3	–			P142
BCLK	O	External memory interface clock signal ( $\mu$ PD70F3427 only)	–			P140
BVDD50, BVDD51	–	I/O buffer supply voltage	no ports			
BVSS50, BVSS51	–	I/O buffer supply ground	no ports			
COM0 to COM3	O	LCD common lines 0 to 3	P94 to P97	–		
CRXD0	I	CAN0 receive data	P46			
CRXD1	I	CAN1 receive data	P56			
CRXD2	I	CAN2 receive data	P17	–	P17	
$\overline{\text{CS}}_0, \overline{\text{CS}}_1, \overline{\text{CS}}_3, \overline{\text{CS}}_4$	O	External memory interface chip select signals)	–			no ports
CTXD0	O	CAN0 transmit data	P47			
CTXD1	O	CAN1 transmit data	P57			
CTXD2	O	CAN2 transmit data	P16	–	P16	
D0 to D15	I/O	External memory interface data lines 0 to 15	–			no ports

www.DataSheet4U.com

Table 2-23 Alphabetic pin functions list (2/6)

Pin name	I/O	Pin function	Port			
			μPD70F3421, μPD70F3422, μPD70F3423	μPD70F3424, μPD70F3425	μPD70F3426A	μPD70F3427
D16	I/O	External memory interface data lines 16 to 31	–			P86
D17						P87
D18						P32
D19						P33
D20 to D23						P104 to P107
D24 to D31						P90 to P97
DBD0 to DBD7	I/O	LCD Bus I/F data lines 0 to 7	P90 to P97			
$\overline{\text{DBRD}}$	O	LCD Bus I/F read strobe	P104			
$\overline{\text{DBWR}}$	O	LCD Bus I/F write strobe	P105			
DCK	I	N-Wire interface clock	P54			
DDI	I	N-Wire interface debug data input	P52			
DDO	O	N-Wire interface debug data output	P53			
DMS	I	N-Wire interface debug mode select input	P55			
$\overline{\text{DRST}}$	I	N-Wire debug interface reset	P05			
DVDD50	–	LCD Bus I/F supply voltage	no ports			
DVSS50	–	LCD Bus I/F supply ground	no ports			
DVDD51	–	LCD Bus I/F, D[31:16] ports supply voltage	–			no ports
DVSS51	–	LCD Bus I/F, D[31:16] ports supply ground	–			no ports
FLMD0	I	Primary operating mode select pin	no port			
FLMD1	I	Secondary operating mode select pin	P07			
FOUT	O	Frequency output	P50, P85			
$\overline{\text{FOUT}}$	O	Inverted frequency output	P83			
INTP0 to INTP4	I	External interrupts 0 to 6	P00 to P04			
INTP5	I	External interrupts 5	P06			
INTP6	I	External interrupts 5	P07, P40			
INTP7	I	External interrupt 7	–	P50, P84		
MVDD50 MVDD54	–	External memory interface supply voltage	–			no ports
MVSS50 - MVSS54	–	External memory interface supply ground	–			no ports
NMI	I	Non-maskable interrupt	P00			

Table 2-23 Alphabetic pin functions list (3/6)

Pin name	I/O	Pin function	Port			
			$\mu$ PD70F3421, $\mu$ PD70F3422, $\mu$ PD70F3423	$\mu$ PD70F3424, $\mu$ PD70F3425	$\mu$ PD70F3426A	$\mu$ PD70F3427
$\overline{RD}$	O	External memory interface read strobe	–			no ports
REGC0 to REGC2	–	External capacitor connection	no ports			
$\overline{RESET}$	I	Reset input	no ports			
RXDA0	I	UARTA0 receive data	P31, P87			
RXDA1	I	UARTA1 receive data	P33, P56			
SCKB0	I/O	Clocked Serial Interface CSIB0 clock line	P42, P107			
SCKB1	I/O	Clocked Serial Interface CSIB1 clock line	P45, P92			
SCKB2	I/O	Clocked Serial Interface CSIB2 clock line	–	P82, P96		
SCL0	I/O	I <sup>2</sup> C0 clock line	P17, P64			
SCL1	I/O	I <sup>2</sup> C1 clock line	P21, P31			
SDA0	I/O	I <sup>2</sup> C0 data line	P16, P65			
SDA1	I/O	I <sup>2</sup> C1 data line	P20, P30			
SEG0 to SEG7	O	LCD segment lines 0 to 39	P20 to P27	–		
SEG8 to SEG11	O		P34 to P37			
SEG12 to SEG19	O		P60 to P67			
SEG20	O		P45			
SEG21	O		P44			
SEG22	O		P43			
SEG23	O		P83			
SEG24	O		P82			
SEG25	O		P81			
SEG26	O		P80			
SEG27	O		P85			
SEG28	O		P87			
SEG29	O		P33			
SEG30	O		P86			
SEG31	O		P32			
SEG32	O		P107			
SEG33	O		P106			
SEG34	O		P105			
SEG35	O		P104			
SEG36 to SEG39	O	P90 to P93				
SGO	O	Sound Generator output	P51, P114			

Table 2-23 Alphabetic pin functions list (4/6)

Pin name	I/O	Pin function	Port			
			μPD70F3421, μPD70F3422, μPD70F3423	μPD70F3424, μPD70F3425	μPD70F3426A	μPD70F3427
SGOA	O	Sound Generator amplitude PWM output	P50, P115			
SIB0	I	Clocked Serial Interface CSIB0 data input	P40, P105			
SIB1	I	Clocked Serial Interface CSIB1 data input	P43, P90			
SIB2	I	Clocked Serial Interface CSIB2 data input	–	P80, P94		
SM11	O	Stepper motor 1 output sin +	P110			
SM12	O	Stepper motor 1 output sin –	P111			
SM13	O	Stepper motor 1 output cos +	P112			
SM14	O	Stepper motor 1 output cos –	P113			
SM21	O	Stepper motor 2 output sin +	P114			
SM22	O	Stepper motor 2 output sin –	P115			
SM23	O	Stepper motor 2 output cos +	P116			
SM24	O	Stepper motor 2 output cos –	P117			
SM31	O	Stepper motor 3 output sin +	P130			
SM32	O	Stepper motor 3 output sin –	P131			
SM33	O	Stepper motor 3 output cos +	P132			
SM34	O	Stepper motor 3 output cos –	P133			
SM41	O	Stepper motor 4 output sin +	P134			
SM42	O	Stepper motor 4 output sin –	P135			
SM43	O	Stepper motor 4 output cos +	P136			
SM44	O	Stepper motor 4 output cos –	P137			
SM51	O	Stepper motor 5 output sin +	P120			
SM52	O	Stepper motor 5 output sin –	P121			
SM53	O	Stepper motor 5 output cos +	P122			
SM54	O	Stepper motor 5 output cos –	P123			
SM61	O	Stepper motor 6 output sin +	P124			
SM62	O	Stepper motor 6 output sin –	P125			
SM63	O	Stepper motor 6 output cos +	P126			
SM64	O	Stepper motor 6 output cos –	P127			
SMVDD50, SMVDD51	–	Stepper Motor Controller/ Driver supply voltage	no ports			
SMVSS50, SMVSS51	–	Stepper Motor Controller/ Driver ground	no ports			
SOB0	O	Clocked Serial Interface CSIB0 data output	P41, P106			
SOB1	O	Clocked Serial Interface CSIB1 data output	P44, P91			
SOB2	O	Clocked Serial Interface CSIB2 data output	–	P81, P95		

Table 2-23 Alphabetic pin functions list (5/6)

Pin name	I/O	Pin function	Port			
			μPD70F3421, μPD70F3422, μPD70F3423	μPD70F3424, μPD70F3425	μPD70F3426A	μPD70F3427
TIG01 to TIG04	I	Timer TMG0 channels 1 to 4 input	P20 to P23, P130 to P133			
TIG11 to TIG14	I	Timer TMG1 channels 1 to 4 input	P24 to P27, P134 to P137			
TIG20	I	Timer TMG2 channels 0 to 5 input	P60			
TIG21	I		P34, P61			
TIG22	I		P35, P66			
TIG23	I		P36, P67			
TIG24	I		P37, P63			
TIG25	I		P62			
TIP00	I		Timer TMP0 channel 0 input	P60, P100		
TIP01	I	Timer TMP0 channel 1 input	P61, P101			
TIP10	I	Timer TMP1 channel 0 input	P62, P101			
TIP11	I	Timer TMP1 channel 1 input	P63, P100			
TIP20	I	Timer TMP2 channel 0 input	P64, P102			
TIP21	I	Timer TMP2 channel 1 input	P66, P103			
TIP30	I	Timer TMP3 channel 0 input	P65, P103			
TIP31	I	Timer TMP3 channel 1 input	P67, P102			
TOG01 to TOG04	O	Timer TMG0 channels 1 to 4 output	P20 to P23, P130 to P133			
TOG11 to TOG14	O	Timer TMG1 channels 1 to 4 output	P24 to P27, P134 to P137			
TOG21	O	Timer TMG2 channels 1 to 4 output	P34, P61, P110			
TOG22			P35, P66, P111			
TOG23			P36, P67, P112			
TOG24			P37, P63, P113			
TOP00	O	Timer TMP0 channel 0 output	P60, P100			
TOP01	O	Timer TMP0 channel 1 output	P34, P61, P101			
TOP10	O	Timer TMP1 channel 0 output	P62, P101			
TOP11	O	Timer TMP1 channel 1 output	P37, P63, P100			
TOP20	O	Timer TMP2 channel 0 output	P64, P102			



Table 2-23 Alphabetic pin functions list (6/6)

Pin name	I/O	Pin function	Port			
			μPD70F3421, μPD70F3422, μPD70F3423	μPD70F3424, μPD70F3425	μPD70F3426A	μPD70F3427
TOP21	O	Timer TMP2 channel 1 output	P35, P66, P103			
TOP30	O	Timer TMP3 channel 0 output	P65, P103			
TOP31	O	Timer TMP3 channel 1 output	P36, P67, P102			
TOY0	O	Timer TMY0 output	P83, P84			
TXDA0	O	UARTA0 transmit data	P30, P86			
TXDA1	O	UARTA1 transmit data	P32, P57			
VCMP0	I	Voltage Comparator 0 input	no ports			
VCMP1	I	Voltage Comparator 1 input	no ports			
VCMP00	O	Output state of internal Voltage Comparator 0	P07			
VCMP01	O	Output state of internal Voltage Comparator 1	P07			
VDD50 to VDD52	–	Core supply voltage	no ports			
VSS50 to VSS52	–	Core supply ground	no ports			
$\overline{\text{WAIT}}$	I	External memory interface data wait request	–			no ports
$\overline{\text{WR}}$	O	External memory interface write strobe	–			no ports
X1, X2	–	Main oscillator terminals	no ports			
XT1, XT2	–	Sub-oscillator terminals	no ports			

**Note** Alternative *input* functions of CSIB0...CSIB2, UART0...UART1, I<sup>2</sup>C0, I<sup>2</sup>C1, INTP6, INTP7, TMP0...TMP3 and TMG0...TMG2 are provided on two pins each. Thus you can select on which pin the alternative function should appear. Refer to “Alternative input selection” on page 44.

**Caution** The  $\overline{\text{WAIT}}$  pin must be connected to  $MV_{DD5n}$  via a pull-up resistor in any case.

### 2.4.3 External memory interface of $\mu$ PD70F3427

The  $\mu$ PD70F3427 is equipped with an external memory interface. The data bus width can be chosen between 16-bit D[15:0] and 32-bit D[31:0].

The signals of the external memory interface are partly shared with ports respectively alternative functions and are controlled by different means, as listed in *Table 2-24*.

The upper data bus lines D[31:16] are made available by setting PMC.PMC143 = 1. Thus this bit changes the interface from 16- to 32-bit mode.

All other bus interface signals are available via group 14 (also usable as 3-bit I/O port) and the permanent MEM-I/F group.

**Table 2-24 External memory interface pin control**

Port		Ext. memory I/F signal	Mode control	
Group	Name		Port/alternative	Ext. Memory I/F
3	P32	D18	PMC.PMC143 = 0	PMC.PMC143 = 1
	P33	D19		
8	P86	D16		
	P87	D17		
9	P90	D24		
	P91	D25		
	P92	D26		
	P93	D27		
	P94	D28		
	P95	D29		
	P96	D30		
10	P104	D20		
	P105	D21		
	P106	D22		
	P107	D23		
14	P140	BCLK	PMC.PMC140 = 0	PMC.PMC140 = 1
	P141	$\overline{\text{BE}}_2$	PMC.PMC141 = 0	PMC.PMC141 = 1
	P142	$\overline{\text{BE}}_3$	PMC.PMC142 = 0	PMC.PMC142 = 1
MEM-I/F	–	A[23:0]	–	permanent
		D[15:0]		
		$\overline{\text{WR}}$		
		$\overline{\text{CS}}_0, \overline{\text{CS}}_1, \overline{\text{CS}}_3, \overline{\text{CS}}_4$		
		$\overline{\text{RD}}$		
		$\overline{\text{WAIT}}$		
		$\overline{\text{BE}}_0, \overline{\text{BE}}_1$		

### 2.4.4 Port group 0

- Port group 0 is an 8-bit port group. In alternative mode, it comprises pins for the following functions:
- External interrupt (INTP0 to INTP6)
- Non-maskable interrupt (NMI)
- N-Wire debug interface reset ( $\overline{\text{DRST}}$ )
- Output state of internal Voltage Comparators 0 and 1 (VCMPO0, VCMPO1)

Port group 0 includes the following pins:

Table 2-25 Port group 0: pin functions and port types

Pin functions in different modes					Pin function after reset	Port type
Port mode (PMNm = 0)	Alternative mode (PMNm = 1)			On-chip debug mode (OCDM0 = 1)		
	Output mode (PMnm = 0)		Input mode (PMnm = 1)			
	PFCnm = 0 ALT1-OUT	PFCnm = 1 ALT2_OUT				
P00 (I/O)	-		INTP0/NMI	-	P00 (I)	M
P01 (I/O)	-		INTP1	-	P01 (I)	M
P02 (I/O)	-		INTP2	-	P02 (I)	M
P03 (I/O)	-		INTP3	-	P03 (I)	M
P04 (I/O)	-		INTP4	-	P04 (I)	M
P05 (I/O)	-		-	$\overline{\text{DRST}}$ (I)	P05 or $\overline{\text{DRST}}$ (I) <sup>a</sup>	R
P06 (I/O)	-		INTP5	-	P06 (I)	M
P07 (I/O)	VCMPO0	VCMPO1	INTP6	-	P07 (I)	M

<sup>a)</sup> The pin function after reset depends on the reset source, that means on bit OCDM.OCDM0. Refer to "OCDM - On-chip debug mode register" on page 38 and to the "On-Chip Debug Unit" on page 969.

- Note**
1. The alternative *input* function of INTP6 is provided on two pins. Thus you can select on which pin the alternative function should appear. Refer to "Alternative input selection" on page 44.
  2. The setting of bit OCDM.OCDM0 applies only to pins of port type R.
  3. For configuring P00 as NMI and/or INTP0 refer also to "Edge and Level Detection Configuration" on page 257.

Table 2-26 Port group 0: configuration registers

Register	Address	Initial value	Used bits							
			PM07	PM06	PM05	PM04	PM03	PM02	PM01	PM00
PM0	FFFF F420 <sub>H</sub>	FF <sub>H</sub>	PM07	PM06	PM05	PM04	PM03	PM02	PM01	PM00
PMC0	FFFF F440 <sub>H</sub>	00 <sub>H</sub>	PMC07	PMC06	X	PMC04	PMC03	PMC02	PMC01	PMC00
PFC0	FFFF F460 <sub>H</sub>	20 <sub>H</sub>	PFC07	X	PDC05 <sup>a</sup>	X	X	X	X	X
OCDM	FFFF F9FC <sub>H</sub>	00 <sub>H</sub> / 01 <sub>H</sub> <sup>b</sup>	0	0	0	0	0	0	0	OCDM0
P0	FFFF F400 <sub>H</sub>	00 <sub>H</sub>	P07	P06	P05	P04	P03	P02	P01	P00
PRC0	FFFF F3E0 <sub>H</sub>	00 <sub>H</sub>	X	X	X	X	X	X	X	PRC00 <sup>c</sup>
PPR0	FFFF F3C0 <sub>H</sub>	00 <sub>H</sub>	PPR07	PPR06	PPR05	PPR04	PPR03	PPR02	PPR01	PPR00
PDSC0	FFFF F300 <sub>H</sub>	00 <sub>H</sub>	PDSC07	PDSC06	PDSC05	PDSC04	PDSC03	PDSC02	PDSC01	PDSC00
PICC0	FFFF F380 <sub>H</sub>	FF <sub>H</sub>	PICC07	PICC06	PICC05	PICC04	PICC03	PICC02	PICC01	PICC00
PILC0	FFFF F3A0 <sub>H</sub>	00 <sub>H</sub>	PILC07	PILC06	PILC05	PILC04	PILC03	PILC02	PILC01	PILC00
PODC0	FFFF F360 <sub>H</sub>	00 <sub>H</sub>	PODC07	PODC06	PODC05	PODC04	PODC03	PODC02	PODC01	PODC00

- a) Note that PDC05 is used to connect/disconnect the internal pull-down resistor at pin P05/ $\overline{\text{DRST}}$ .
- b) Depends on the reset source (Refer to “OCDM - On-chip debug mode register” on page 38 and to “On-Chip Debug Unit” on page 969).
- c) The setting of PRC00 is valid for the entire port group.

**Access** All 8-bit registers can be accessed in 8-bit or 1-bit units.

## 2.4.5 Port group 1

Port group 1 is a 2-bit port group. In alternative mode, it comprises pins for the following functions:

- I<sup>2</sup>C0 data/clock line (SDA0/SCL0)

Port group 1 includes the following pins:

**Table 2-27 Port group 1: pin functions and port types**

Pin functions in different modes				Pin function after reset	Port type
Port mode (PMCnm = 0)	Alternative mode (PMCnm = 1)		Input mode (PMnm = 1)		
	output mode (PMnm = 0)				
	PFCnm = 0 ALT1-OUT	PFCnm = 1 ALT2-OUT			
P16 (I/O)	SDA0 <sup>a</sup>	CTXD2 <sup>b</sup>	SDA0	P16 (I)	M
P17 (I/O)	SCL0 <sup>a</sup>		SCL0/CRXD2 <sup>b</sup>	P17 (I)	M

a) xIn I<sup>2</sup>C function mode open drain emulation has to be enabled (PODC1.PODC16 = 1 and PODC1.PODC17 = 1). Thus output function is enabled automatically, although PMnm = 1.

b) not available on  $\mu$ PD70F3426A

**Note** Alternative *input* functions SDA0 and SCL0 are provided on two pins each. Thus you can select on which pin the alternative function should appear. If alternative functions SDA0/SCL0 are used at P16/17, make sure to set also PFSR0.PFSR04 = 0. Refer to “Alternative input selection” on page 44.

**Table 2-28 Port group 1: configuration registers**

Register	Address	Initial value	Used bits							
PM1	FFFF F422 <sub>H</sub>	FF <sub>H</sub>	PM17	PM16	X	X	X	X	X	X
PMC1	FFFF F442 <sub>H</sub>	00 <sub>H</sub>	PMC17	PMC16	X	X	X	X	X	X
PFC1 <sup>a</sup>	FFFF F462 <sub>H</sub>	00 <sub>H</sub>	X	PFC16	X	X	X	X	X	X
P1	FFFF F402 <sub>H</sub>	00 <sub>H</sub>	P17	P16	X	X	X	X	X	X
PRC1	FFFF F3E2 <sub>H</sub>	00 <sub>H</sub>	X	X	X	X	X	X	X	PRC10 <sup>b</sup>
PPR1	FFFF F3C2 <sub>H</sub>	00 <sub>H</sub>	PPR17	PPR16	X	X	X	X	X	X
PDSC1	FFFF F302 <sub>H</sub>	00 <sub>H</sub>	PDSC17	PDSC16	X	X	X	X	X	X
PICC1	FFFF F382 <sub>H</sub>	FF <sub>H</sub>	PICC17	PICC16	X	X	X	X	X	X
PILC1	FFFF F3A2 <sub>H</sub>	00 <sub>H</sub>	PILC17	PILC16	X	X	X	X	X	X
PODC1	FFFF F362 <sub>H</sub>	00 <sub>H</sub>	PODC17	PODC16	X	X	X	X	X	X

a) not available on  $\mu$ PD70F3426A

b) The setting of PRC10 is valid for the entire port group.

www.DataSheet

**Access** All 8-bit registers can be accessed in 8-bit or 1-bit units.

## 2.4.6 Port group 2

Port group 2 is an 8-bit port group. In alternative mode, it comprises pins for the following functions:

- Timer TMG0 to TMG1 channels (TIG01 to TIG04, TOG01 to TOG04, TIG11 to TIG14, TOG11 to TOG14)
- I<sup>2</sup>C1 data/clock line (SDA1, SCL1)
- LCD controller segment signal output (SEG0 to SEG7) (μPD70F3421, μPD70F3422, μPD70F3423 only)

Port group 2 includes the following pins:

Table 2-29 Port group 2: pin functions and port types

Pin functions in different modes					Pin function after reset	Port type
Port mode (PMCnm = 0)	Alternative mode (PMCnm = 1)		LCD mode (PLCDCnm = 1) <sup>a</sup>			
	Output mode (PMnm = 0)					
	PFCnm = 0 ALT1-OUT	PFCnm = 1 ALT2-OUT				
P20 (I/O)	SDA1 <sup>b</sup>	TOG01	TIG01/SDA1	SEG0 <sup>a</sup>	P20 (I)	M
P21 (I/O)	SCL1 <sup>b</sup>	TOG02	TIG02/SCL1	SEG1 <sup>a</sup>	P21 (I)	M
P22 (I/O)	TOG03		TIG03	SEG2 <sup>a</sup>	P22 (I)	M
P23 (I/O)	TOG04		TIG04	SEG3 <sup>a</sup>	P23 (I)	M
P24 (I/O)	TOG11		TIG11	SEG4 <sup>a</sup>	P24 (I)	M
P25 (I/O)	TOG12		TIG12	SEG5 <sup>a</sup>	P25 (I)	M
P26 (I/O)	TOG13		TIG13	SEG6 <sup>a</sup>	P26 (I)	M
P27 (I/O)	TOG14		TIG14	SEG7 <sup>a</sup>	P27 (I)	M

<sup>a)</sup> μPD70F3421, μPD70F3422, μPD70F3423 only

<sup>b)</sup> In I<sup>2</sup>C function mode open drain emulation has to be enabled (PODC2.PODC20 = 1 and PODC2.PODC21 = 1). Thus output function is enabled automatically, although PMnm = 1.

- Note**
1. For pins that support only one alternative output mode, the PFCnm bit is not available.
  2. Alternative *input* functions of I<sup>2</sup>C1 (SDA1, SCL1) and of TMG0...TMG1 are provided on two pins each. Thus you can select on which pin the alternative function should appear. If alternative functions SDA1/SCL1 are used at P20/21 make sure to set also PFSR0.PFSR05 = 0. Refer to “Alternative input selection“ on page 44.

Table 2-30 Port group 2: Configuration registers

Register	Address	Initial value	Used bits							
			PM27	PM26	PM25	PM24	PM23	PM22	PM21	PM20
PM2	FFFF F424 <sub>H</sub>	FF <sub>H</sub>	PM27	PM26	PM25	PM24	PM23	PM22	PM21	PM20
PMC2	FFFF F444 <sub>H</sub>	00 <sub>H</sub>	PMC27	PMC26	PMC25	PMC24	PMC23	PMC22	PMC21	PMC20
PFC2	FFFF F464 <sub>H</sub>	00 <sub>H</sub>	X	X	X	X	X	X	PFC21	PFC20
PLCDC2 <sup>a</sup>	FFFF F344 <sub>H</sub>	00 <sub>H</sub>	PLCDC27	PLCDC26	PLCDC25	PLCDC24	PLCDC23	PLCDC22	PLCDC21	PLCDC20
P2	FFFF F404 <sub>H</sub>	00 <sub>H</sub>	P27	P26	P25	P24	P23	P22	P21	P20
PRC2	FFFF F3E4 <sub>H</sub>	00 <sub>H</sub>	X	X	X	X	X	X	X	PRC20 <sup>b</sup>
PPR2	FFFF F3C4 <sub>H</sub>	00 <sub>H</sub>	PPR27	PPR26	PPR25	PPR24	PPR23	PPR22	PPR21	PPR20
PDSC2	FFFF F304 <sub>H</sub>	00 <sub>H</sub>	PDSC27	PDSC26	PDSC25	PDSC24	PDSC23	PDSC22	PDSC21	PDSC20
PICC2	FFFF F384 <sub>H</sub>	FF <sub>H</sub>	PICC27	PICC26	PICC25	PICC24	PICC23	PICC22	PICC21	PICC20
PILC2	FFFF F3A4 <sub>H</sub>	00 <sub>H</sub>	PILC27	PILC26	PILC25	PILC24	PILC23	PILC22	PILC21	PILC20
PODC2	FFFF F364 <sub>H</sub>	00 <sub>H</sub>	PODC27	PODC26	PODC25	PODC24	PODC23	PODC22	PODC21	PODC20

a)  $\mu$ PD70F3421,  $\mu$ PD70F3422,  $\mu$ PD70F3423 only

b) The setting of PRC20 is valid for the entire port group.

**Access** All 8-bit registers can be accessed in 8-bit or 1-bit units.

### 2.4.7 Port group 3

Port group 3 is an 8-bit port group. In alternative mode, it comprises pins for the following functions:

- UARTA0 transmit/receive data (TXDA0, RXDA0)
- UARTA1 transmit/receive data (TXDA1, RXDA1)
- I<sup>2</sup>C1 data/clock line (SDA1, SCL1)
- LCD controller segment signal output (SEG8 to SEG11, SEG29, SEG31) ( $\mu$ PD70F3421,  $\mu$ PD70F3422,  $\mu$ PD70F3423 only)
- Timer TMG2 channels (TIG21 to TIG24, TOG21 to TOG24)
- Timer TMP0 to TMP3 channels (TOP01 to TOP31)
- External memory interface data lines D[19:18] ( $\mu$ PD70F3427 only)

Port group 3 includes the following pins

Table 2-31 Port group 3: pin functions and port types

Pin functions in different modes						Pin function after reset	Port type
Port mode (PMNm = 0)	Alternative mode (PMNm = 1)			LCD mode (PLCDCNm = 1) <sup>a</sup>	External memory interface mode (PMC143 = 1) <sup>b</sup>		
	Output mode (PMNm = 0)		Input mode (PMNm = 1)				
	PFCNm = 0 ALT1-OUT	PFCNm = 1 ALT2-OUT					
P30 (I/O)	TXDA0	SDA1 <sup>c</sup>	SDA1	–	port/alternative mode	P30 (I)	M
P31 (I/O)	SCL1 <sup>c</sup>		RXDA0/SCL1	–	port/alternative mode	P31 (I)	M
P32 (I/O)	TXDA1		–	SEG31 <sup>a</sup>	D18 <sup>b</sup>	P32 (I)	M
P33 (I/O)	–		RXDA1	SEG29 <sup>a</sup>	D19 <sup>b</sup>	P33 (I)	M
P34 (I/O)	TOP01	TOG21	TIG21	SEG8 <sup>a</sup>	port/alternative mode	P34 (I)	M
P35 (I/O)	TOP21	TOG22	TIG22	SEG9 <sup>a</sup>	port/alternative mode	P35 (I)	M
P36 (I/O)	TOP31	TOG23	TIG23	SEG10 <sup>a</sup>	port/alternative mode	P36 (I)	M
P37 (I/O)	TOP11	TOG24	TIG24	SEG11 <sup>a</sup>	port/alternative mode	P37 (I)	M

a)  $\mu$ PD70F3421,  $\mu$ PD70F3422,  $\mu$ PD70F3423 only

b)  $\mu$ PD70F3427 only

c) In I<sup>2</sup>C function mode open drain emulation has to be enabled (PODC3.PODC30 = 1 and PODC3.PODC31 = 1). Thus output function is enabled automatically, although PMNm = 1.

**Note** 1. For pins that support only one alternative output mode, the PFCNm bit is not available.

2. Alternative *input* functions of I<sup>2</sup>C1 (SDA1, SCL1), TMP0...TMP3, TMG2 and UARTA0...UARTA1 are provided on two pins each. Thus you can select on which pin the alternative function should appear. If alternative functions SDA1/SCL1 are used at P30/31 make sure to set also PFSR0.PFSR05 = 1.

Refer to “Alternative input selection” on page 44.



Table 2-32 Port group 3: configuration registers

Register	Address	Initial value	Used bits							
			PM37	PM36	PM35	PM34	PM33	PM32	PM31	PM30
PM3	FFFF F426 <sub>H</sub>	FF <sub>H</sub>	PM37	PM36	PM35	PM34	PM33	PM32	PM31	PM30
PMC3	FFFF F446 <sub>H</sub>	00 <sub>H</sub>	PMC37	PMC36	PMC35	PMC34	PMC33	PMC32	PMC31	PMC30
PFC3	FFFF F466 <sub>H</sub>	00 <sub>H</sub>	PFC37	PFC36	PFC35	PFC34	X	X	X	PFC30
PLCDC3 <sup>a</sup>	FFFF F346 <sub>H</sub>	00 <sub>H</sub>	PLCDC37	PLCDC36	PLCDC35	PLCDC34	PLCDC33	PLCDC32	X	X
P3	FFFF F406 <sub>H</sub>	00 <sub>H</sub>	P37	P36	P35	P34	P33	P32	P31	P30
PRC3	FFFF F3E6 <sub>H</sub>	00 <sub>H</sub>	X	X	X	X	X	X	X	PRC30 <sup>b</sup>
PPR3	FFFF F3C6 <sub>H</sub>	00 <sub>H</sub>	PPR37	PPR36	PPR35	PPR34	PPR33	PPR32	PPR31	PPR30
PDSC3	FFFF F306 <sub>H</sub>	00 <sub>H</sub>	PDSC37	PDSC36	PDSC35	PDSC34	PDSC33 <sup>c</sup>	PDSC32 <sup>c</sup>	PDSC31	PDSC30
PICC3	FFFF F386 <sub>H</sub>	FF <sub>H</sub>	PICC37	PICC36	PICC35	PICC34	PICC33 <sup>c</sup>	PICC32 <sup>c</sup>	PICC31	PICC30
PILC3	FFFF F3A6 <sub>H</sub>	00 <sub>H</sub>	PILC37	PILC36	PILC35	PILC34	PILC33 <sup>c</sup>	PILC32 <sup>c</sup>	PILC31	PILC30
PODC3	FFFF F366 <sub>H</sub>	00 <sub>H</sub>	PODC37	PODC36	PODC35	PODC34	PODC33	PODC32	PODC31	PODC30

a)  $\mu$ PD70F3421,  $\mu$ PD70F3422,  $\mu$ PD70F3423 only

b) The setting of PRC30 is valid for the entire port group.

c) not available for  $\mu$ PD70F3427

**Access** All 8-bit registers can be accessed in 8-bit or 1-bit units.

### 2.4.8 Port group 4

Port group 4 is an 8-bit port group. In alternative mode, it comprises pins for the following functions:

- Clocked Serial Interface CSIB0 data/clock line (SIB0, SOB0, SCKB0)
- Clocked Serial Interface CSIB1 data/clock line (SIB1, SOB1, SCKB1)
- External interrupt (INTP6)
- LCD controller segment signal output (SEG20 to SEG22) ( $\mu$ PD70F3421,  $\mu$ PD70F3422,  $\mu$ PD70F3423)
- CAN0 transmit/receive data (CTXD0, CRXD0)

Port group 4 includes the following pins:

**Table 2-33** Port group 4: pin functions and port types

Pin functions in different modes				Pin function after reset	Port type
Port mode (PMCnm = 0)	Alternative mode (PMCnm = 1)		LCD mode (PLCDCnm = 1) <sup>a</sup>		
	Output mode (PMnm = 0)	Input mode (PMnm = 1)			
P40 (I/O)	–	INTP6/SIB0	–	P40 (I)	M
P41 (I/O)	SOB0	–	–	P41 (I)	M
P42 (I/O)	SCKB0	SCKB0	–	P42 (I)	M
P43 (I/O)	–	SIB1	SEG22 <sup>a</sup>	P43 (I)	M
P44 (I/O)	SOB1	–	SEG21 <sup>a</sup>	P44 (I)	M
P45 (I/O)	SCKB1	SCKB1	SEG20 <sup>a</sup>	P45 (I)	M
P46 (I/O)	–	CRXD0	–	P46 (I)	M
P47 (I/O)	CTXD0	–	–	P47 (I)	M

<sup>a)</sup>  $\mu$ PD70F3421,  $\mu$ PD70F3422,  $\mu$ PD70F3423 only

**Note** Alternative *input* functions of INTP6, CSIB0, and CSIB1 are provided on two pins each. Thus you can select on which pin the alternative function should appear. Refer to “Alternative input selection” on page 44.

Table 2-34 Port group 4: configuration registers

Register	Address	Initial value	Used bits							
			PM47	PM46	PM45	PM44	PM43	PM42	PM41	PM40
PM4	FFFF F428 <sub>H</sub>	FF <sub>H</sub>	PM47	PM46	PM45	PM44	PM43	PM42	PM41	PM40
PMC4	FFFF F448 <sub>H</sub>	00 <sub>H</sub>	PMC47	PMC46	PMC45	PMC44	PMC43	PMC42	PMC41	PMC40
PLCDC4 <sup>a</sup>	FFFF F348 <sub>H</sub>	00 <sub>H</sub>	X	X	PLCDC45	PLCDC44	PLCDC43	X	X	X
P4	FFFF F408 <sub>H</sub>	00 <sub>H</sub>	P47	P46	P45	P44	P43	P42	P41	P40
PRC4	FFFF F3E8 <sub>H</sub>	00 <sub>H</sub>	X	X	X	X	X	X	X	PRC40 <sup>b</sup>
PPR4	FFFF F3C8 <sub>H</sub>	00 <sub>H</sub>	PPR47	PPR46	PPR45	PPR44	PPR43	PPR42	PPR41	PPR40
PDSC4	FFFF F308 <sub>H</sub>	00 <sub>H</sub>	PDSC47	PDSC46	PDSC45	PDSC44	PDSC43	PDSC42	PDSC41	PDSC40
PICC4	FFFF F388 <sub>H</sub>	FF <sub>H</sub>	PICC47	PICC46	PICC45	PICC44	PICC43	PICC42	PICC41	PICC40
PILC4	FFFF F3A8 <sub>H</sub>	00 <sub>H</sub>	PILC47	PILC46	PILC45	PILC44	PILC43	PILC42	PILC41	PILC40
PODC4	FFFF F368 <sub>H</sub>	00 <sub>H</sub>	PODC47	PODC46	PODC45	PODC44	PODC43	PODC42	PODC41	PODC40

a)  $\mu$ PD70F3421,  $\mu$ PD70F3422,  $\mu$ PD70F3423 only

b) The setting of PRC40 is valid for the entire port group.

**Note** It is recommended to configure the ports used for CAN data transmit CTXDn to its highest drive strength to Limit2 by PDSCn.PDSCnm = 1 for CAN baud rates above 200 Kbit/sec.

**Access** All 8-bit registers can be accessed in 8-bit or 1-bit units.

## 2.4.9 Port group 5

Port group 5 is an 8-bit port group. In alternative mode, it comprises pins for the following functions:

- External interrupt (INTP7) ( $\mu$ PD70F3424,  $\mu$ PD70F3425,  $\mu$ PD70F3426A,  $\mu$ PD70F3427 only)
- Sound Generator outputs (SGO, SGOA)
- Frequency output (FOUT)
- N-Wire interface signals (DDI, DDO, DCK, DMS)
- CAN1 transmit/receive data (CTXD1, CRXD1)
- UARTA1 transmit/receive data (TXDA1, RXDA1)

Port group 5 includes the following pins:

Table 2-35 Port group 5: pin functions and port types

Pin functions in different modes					Pin function after reset	Port type
Port mode (PMCnm = 0)	Alternative mode (PMCnm = 1)			On-chip debug mode (OCDM0 = 1)		
	Output mode (PMnm = 0)		Input mode (PMnm = 1)			
	PFCnm = 0 ALT1-OUT	PFCnm = 1 ALT2-OUT				
P50 (I/O)	FOUT	SGOA	INTP7 <sup>a</sup>	–	P50 (I)	M
P51 (I/O)	SGO		–	–	P51 (I)	M
P52 (I/O)	–		–	DDI (I)	P52 or DDI (I) <sup>b</sup>	R
P53 (I/O)	–		–	DDO (O)	P53 (I) or DDO (O) <sup>b</sup>	R
P54 (I/O)	–		–	DCK (I)	P54 or DCK (I) <sup>b</sup>	R
P55 (I/O)	–		–	DMS(I)	P55 or DMS(I) <sup>b</sup>	R
P56 (I/O)	–		CRXD1 /RXDA1	–	P56 (I)	M
P57 (I/O)	TXDA1	CTXD1	–	–	P57 (I)	M

<sup>a)</sup>  $\mu$ PD70F3424,  $\mu$ PD70F3425,  $\mu$ PD70F3426A,  $\mu$ PD70F3427 only

<sup>b)</sup> The pin function after reset depends on the reset source, that means on bit OCDM.OCDM0. Refer to “OCDM - On-chip debug mode register” on page 38 and to the “On-Chip Debug Unit” on page 969.

- Note**
1. For pins that support only one alternative output mode, the PFCnm bit is not available.
  2. The setting of bit OCDM.OCDM0 applies only to pins of port type R.
  3. Alternative *input* functions of UARTA1 and INTP7 are provided on two pins each. Thus you can select on which pin the alternative function should appear.  
Refer to “Alternative input selection” on page 44.

Table 2-36 Port group 5: configuration registers

Register	Address	Initial value	Used bits							
			PM57	PM56	PM55	PM54	PM53	PM52	PM51	PM50
PM5	FFFF F42A <sub>H</sub>	FF <sub>H</sub>	PM57	PM56	PM55	PM54	PM53	PM52	PM51	PM50
PMC5	FFFF F44A <sub>H</sub>	00 <sub>H</sub>	PMC57	PMC56	X	X	X	X	PMC51	PMC50
PFC5	FFFF F46A <sub>H</sub>	00 <sub>H</sub>	PFC57	X	X	X	X	X	X	PFC50
OCDM	FFFF F9FC <sub>H</sub>	00 <sub>H</sub> /01 <sub>H</sub>	0	0	0	0	0	0	0	OCDM0
P5	FFFF F40A <sub>H</sub>	00 <sub>H</sub>	P57	P56	P55	P54	P53	P52	P51	P50
PRC5	FFFF F3EA <sub>H</sub>	00 <sub>H</sub>	X	X	X	X	X	X	X	PRC50 <sup>a</sup>
PPR5	FFFF F3CA <sub>H</sub>	00 <sub>H</sub>	PPR57	PPR56	PPR55	PPR54	PPR53	PPR52	PPR51	PPR50
PDSC5	FFFF F30A <sub>H</sub>	00 <sub>H</sub>	PDSC57	PDSC56	PDSC55	PDSC54	PDSC53	PDSC52	PDSC51	PDSC50
PICC5	FFFF F38A <sub>H</sub>	FF <sub>H</sub>	PICC57	PICC56	PICC55	PICC54	PICC53	PICC52	PICC51	PICC50
PILC5	FFFF F3AA <sub>H</sub>	00 <sub>H</sub>	PILC57	PILC56	PILC55	PILC54	PILC53	PILC52	PILC51	PILC50
PODC5	FFFF F36A <sub>H</sub>	00 <sub>H</sub>	PODC57	PODC56	PODC55	PODC54	PODC53	PODC52	PODC51	PODC50

a) The setting of PRC50 is valid for the entire port group.

**Note** It is recommended to configure the ports used for CAN data transmit CTXD<sub>n</sub> to its highest drive strength to Limit2 by PDSC<sub>n</sub>. PDSC<sub>n</sub> = 1 for CAN baud rates above 200 Kbit/sec.

**Access** All 8-bit registers can be accessed in 8-bit or 1-bit units.

### 2.4.10 Port group 6

Port group 6 is an 8-bit port group. In alternative mode, it comprises pins for the following functions:

- Timer TMP0 to TMP3 channels (TIP00 to TIP31, TOP00 to TOP31)
- Timer TMG2 channels (TIG20 to TIG25, TOG21 to TOG24)
- LCD controller segment signal output (SEG12 to SEG19) ( $\mu$ PD70F3421,  $\mu$ PD70F3422,  $\mu$ PD70F3423 only)
- I<sup>2</sup>C0 data/clock line (SDA0, SCL0)

Port group 6 includes the following pins:

Table 2-37 Port group 6: pin functions and port types

Pin functions in different modes					Pin function after reset	Port type
Port mode (PMCnm = 0)	Alternative mode (PMCnm = 1)		Input mode (PMnm = 1)	LCD mode (PLCDCnm = 1) <sup>a</sup>		
	Output mode (PMnm = 0)					
	PFCnm = 0 ALT1-OUT	PFCnm = 1 ALT2-OUT				
P60 (I/O)	TOP00		TIP00/TIG20	SEG12 <sup>a</sup>	P60 (I)	M
P61 (I/O)	TOP01	TOG21	TIP01/TIG21	SEG13 <sup>a</sup>	P61 (I)	M
P62 (I/O)	TOP10		TIP10/TIG25	SEG14 <sup>a</sup>	P62 (I)	M
P63 (I/O)	TOP11	TOG24	TIP11/TIG24	SEG15 <sup>a</sup>	P63 (I)	M
P64 (I/O)	SCL0 <sup>b</sup>	TOP20	SCL0/TIP20	SEG16 <sup>a</sup>	P64 (I)	M
P65 (I/O)	SDA0 <sup>b</sup>	TOP30	SDA0/TIP30	SEG17 <sup>a</sup>	P65 (I)	M
P66 (I/O)	TOP21	TOG22	TIP21/TIG22	SEG18 <sup>a</sup>	P66 (I)	M
P67 (I/O)	TOP31	TOG23	TIP31/TIG23	SEG19 <sup>a</sup>	P67 (I)	M

a)  $\mu$ PD70F3421,  $\mu$ PD70F3422,  $\mu$ PD70F3423 only

b) In I<sup>2</sup>C function mode open drain emulation has to be enabled (PODC6.PODC64 = 1 and PODC6.PODC65 = 1). Thus output function is enabled automatically, although PMnm = 1.

- Note**
1. For pins that support only one alternative output mode, the PFCnm bit is not available.
  2. Alternative *input* functions of I<sup>2</sup>C0 (SDA0, SCL0), TMP0...TMP3 and TMG2 are provided on two pins each. Thus you can select on which pin the alternative function should appear. If alternative functions SDA0/SCL0 are used at P64/65 make sure to set also PFSR0.PFSR04 = 1. Refer to "Alternative input selection" on page 44.

Table 2-38 Port group 6: configuration registers

Register	Address	Initial value	Used bits							
			PM67	PM66	PM65	PM64	PM63	PM62	PM61	PM60
PM6	FFFF F42C <sub>H</sub>	FF <sub>H</sub>	PM67	PM66	PM65	PM64	PM63	PM62	PM61	PM60
PMC6	FFFF F44C <sub>H</sub>	00 <sub>H</sub>	PMC67	PMC66	PMC65	PMC64	PMC63	PMC62	PMC61	PMC60
PFC6	FFFF F46C <sub>H</sub>	00 <sub>H</sub>	PFC67	PFC66	PFC65	PFC64	PFC63	X	PFC61	X
PLCDC6 <sup>a</sup>	FFFF F34C <sub>H</sub>	00 <sub>H</sub>	PLCDC67	PLCDC66	PLCDC65	PLCDC64	PLCDC63	PLCDC62	PLCDC61	PLCDC60
P6	FFFF F40C <sub>H</sub>	00 <sub>H</sub>	P67	P66	P65	P64	P63	P62	P61	P60
PRC6	FFFF F3EC <sub>H</sub>	00 <sub>H</sub>	X	X	X	X	X	X	X	PRC60 <sup>b</sup>
PPR6	FFFF F3CC <sub>H</sub>	00 <sub>H</sub>	PPR67	PPR66	PPR65	PPR64	PPR63	PPR62	PPR61	PPR60
PDSC6	FFFF F30C <sub>H</sub>	00 <sub>H</sub>	PDSC67	PDSC66	PDSC65	PDSC64	PDSC63	PDSC62	PDSC61	PDSC60
PICC6	FFFF F38C <sub>H</sub>	FF <sub>H</sub>	PICC67	PICC66	PICC65	PICC64	PICC63	PICC62	PICC61	PICC60
PILC6	FFFF F3AC <sub>H</sub>	00 <sub>H</sub>	PILC67	PILC66	PILC65	PILC64	PILC63	PILC62	PILC61	PILC60
PODC6	FFFF F36C <sub>H</sub>	00 <sub>H</sub>	PODC67	PODC66	PODC65	PODC64	PODC63	PODC62	PODC61	PODC60

a)  $\mu$ PD70F3421,  $\mu$ PD70F3422,  $\mu$ PD70F3423, only

b) The setting of PRC60 is valid for the entire port group.

**Access** All 8-bit registers can be accessed in 8-bit or 1-bit units.

### 2.4.11 Port group 7

Port group 7 is a 16-bit port group. It includes pins for the A/D Converter input.

The pins of this port group only work in input mode (port type B). They are used for their alternative input function A/D converter input. At the same time, the pin status can also be read via the port register Pn, so that the pin also works in port mode.

Port group 7 includes the following pins:

**Table 2-39 Port group 7: pin functions and port types**

Pin functions in different modes		Pin function after reset	Port type
Port mode (PMCnm = 0)	Alternative input mode (PMCnm = 1)		
P70 (I)	ANI0	P70 (I)	B
P71 (I)	ANI1	P71 (I)	B
P72 (I)	ANI2	P72 (I)	B
P73 (I)	ANI3	P73 (I)	B
P74 (I)	ANI4	P74 (I)	B
P75 (I)	ANI5	P75 (I)	B
P76 (I)	ANI6	P76 (I)	B
P77 (I)	ANI7	P77 (I)	B
P78 (I)	ANI8	P78 (I)	B
P79 (I)	ANI9	P79 (I)	B
P710 (I)	ANI10	P710 (I)	B
P711 (I)	ANI11	P711 (I)	B
P712 (I)	ANI12 <sup>a</sup>	P712 (I)	B
P713 (I)	ANI13 <sup>a</sup>	P713 (I)	B
P714 (I)	ANI14 <sup>a</sup>	P714 (I)	B
P715 (I)	ANI15 <sup>a</sup>	P715 (I)	B

<sup>a)</sup>  $\mu$ PD70F3424,  $\mu$ PD70F3425,  $\mu$ PD70F3426A,  $\mu$ PD70F3427 only

**Note** All pins of port group 7 always function in alternative input mode, i.e. A/D conversion of the level at P7m is independent of any register settings.

For reading the pin status via the P7 register PMC7m has to be set to 0.

Since the accuracy of an A/D conversion may degrade when P7 is read during the sampling time of the A/D converter, it is recommended to disable the port pin read by PMC7m = 1 during A/D conversion.



Table 2-40 Port group 7: configuration registers

Register	Address	Initial value	Used bits							
			PMC77	PMC76	PMC75	PMC74	PMC73	PMC72	PMC71	PMC70
PMC7L	FFFF F44E <sub>H</sub>	00 <sub>H</sub>	PMC77	PMC76	PMC75	PMC74	PMC73	PMC72	PMC71	PMC70
PMC7H	FFFF F44F <sub>H</sub>	00 <sub>H</sub>	PMC715 <sup>a</sup>	PMC714 <sup>a</sup>	PMC713 <sup>a</sup>	PMC712 <sup>a</sup>	PMC711	PMC710	PMC79	PMC78
PMC7 (16 bit)	FFFF F44E <sub>H</sub>	0000 <sub>H</sub>	PMC715 to PMC78 (PMC7H) <sup>a</sup>				PMC77 to PMC70 (PMC7L)			
P7L	FFFF F40E <sub>H</sub>	00 <sub>H</sub>	P77	P76	P75	P74	P73	P72	P71	P70
P7H	FFFF F40F <sub>H</sub>	00 <sub>H</sub>	P715	P714	P713	P712	P711	P710	P79	P78
P7 (16 bit)	FFFF F40E <sub>H</sub>	0000 <sub>H</sub>	P715 to PMC78 (P7H)				P77 to P70 (P7L)			
PILC7L	FFFF F3AE <sub>H</sub>	00 <sub>H</sub>	PILC77	PILC76	PILC75	PILC74	PILC73	PILC72	PILC71	PILC70
PILC7H	FFFF F3AF <sub>H</sub>	00 <sub>H</sub>	PILC715	PILC714	PILC713	PILC712	PILC711	PILC710	PILC79	PILC78
PILC7 (16 bit)	FFFF F44E <sub>H</sub>	0000 <sub>H</sub>	PILC715 to PILC78 (PILC7H)				PILC77 to PILC70 (PILC7L)			

<sup>a)</sup> PMC715 to PMC712 are available for  $\mu$ PD70F3424,  $\mu$ PD70F3425,  $\mu$ PD70F3426A,  $\mu$ PD70F3427 only.

**Access** All 8-bit registers can be accessed in 8-bit or 1-bit units.

All 16-bit registers can be accessed in 16-bit units.

### 2.4.12 Port group 8

Port group 8 is an 8-bit port group. In alternative mode, it comprises pins for the following functions:

- Clocked Serial Interface CSIB2 data/clock line (SIB2, SOB2, SCKB2) ( $\mu$ PD70F3424,  $\mu$ PD70F3425,  $\mu$ PD70F3426A,  $\mu$ PD70F3427 only)
- LCD controller segment signal output (SEG23 to SEG28, SEG30) ( $\mu$ PD70F3421,  $\mu$ PD70F3422,  $\mu$ PD70F3423 only)
- Timer TMY0 output (TOY0)
- Frequency output (FOUT)
- Inverted frequency output ( $\overline{\text{FOUT}}$ )
- External interrupt (INTP7) ( $\mu$ PD70F3424,  $\mu$ PD70F3425,  $\mu$ PD70F3426A,  $\mu$ PD70F3427 only)
- UARTA0 transmit/receive data (TXDA0, RXDA0)
- External memory interface data lines D[17:16] ( $\mu$ PD70F3427 only)

Port group 8 includes the following pins:

**Table 2-41 Port group 8: pin functions and port types**

Pin functions in different modes							
Port mode (PMCnm = 0)	Alternative mode (PMCnm = 1)			LCD mode (PLDCnm = 1) <sup>a</sup>	External memory interface mode (PMC143 = 1) <sup>b</sup>	Pin function after reset	Port type
	Output mode (PMnm = 0)		Input mode (PMnm = 1)				
	PFCnm = 0 ALT1-OUT	PFCnm = 1 ALT2-OUT					
P80 (I/O)	–		SIB2 <sup>c</sup>	SEG26 <sup>a</sup>	port/alternative mode	P80 (I)	M
P81 (I/O)	SOB2 <sup>c</sup>		–	SEG25 <sup>a</sup>	port/alternative mode	P81 (I)	M
P82 (I/O)	SCKB2 <sup>c</sup>		SCKB2 <sup>c</sup>	SEG24 <sup>a</sup>	port/alternative mode	P82 (I)	M
P83 (I/O)	TOY0	$\overline{\text{FOUT}}$	–	SEG23 <sup>a</sup>	port/alternative mode	P83 (I)	M
P84 (I/O)	TOY0		INTP7 <sup>c</sup>	–	port/alternative mode	P84 (I)	M
P85 (I/O)	FOUT		–	SEG27 <sup>a</sup>	port/alternative mode	P85 (I)	M
P86 (I/O)	TXDA0		–	SEG30 <sup>a</sup>	D16 <sup>b</sup>	P86 (I)	M
P87 (I/O)	–		RXDA0	SEG28 <sup>a</sup>	D17 <sup>b</sup>	P87 (I)	M

a)  $\mu$ PD70F3421,  $\mu$ PD70F3422,  $\mu$ PD70F3423 only

b)  $\mu$ PD70F3427 only

c)  $\mu$ PD70F3424,  $\mu$ PD70F3425,  $\mu$ PD70F3426A,  $\mu$ PD70F3427 only

**Note** 1. For pins that support only one alternative output mode, the PFCnm bit is not available.

2. Alternative *input* functions of CSIB2, UART0, and INTP7 are provided on two pins each. Thus you can select on which pin the alternative function should appear.

Refer to “Alternative input selection” on page 44.

Table 2-42 Port group 8: configuration registers

Register	Address	Initial value	Used bits							
			PM87	PM86	PM85	PM84	PM83	PM82	PM81	PM80
PM8	FFFF F430 <sub>H</sub>	FF <sub>H</sub>	PM87	PM86	PM85	PM84	PM83	PM82	PM81	PM80
PMC8	FFFF F450 <sub>H</sub>	00 <sub>H</sub>	PMC87	PMC86	PMC85	PMC84	PMC83	PMC82	PMC81	PMC80
PFC8	FFFF F470 <sub>H</sub>	00 <sub>H</sub>	X	X	X	X	PFC83	X	X	X
PLCDC8 <sup>a</sup>	FFFF F350 <sub>H</sub>	00 <sub>H</sub>	PLCDC87	PLCDC86	PLCDC85	X	PLCDC83	PLCDC82	PLCDC81	PLCDC80
P8	FFFF F410 <sub>H</sub>	00 <sub>H</sub>	P87	P86	P85	P84	P83	P82	P81	P80
PRC8	FFFF F3F0 <sub>H</sub>	00 <sub>H</sub>	X	X	X	X	X	X	X	PRC80 <sup>b</sup>
PPR8	FFFF F3D0 <sub>H</sub>	00 <sub>H</sub>	PPR87	PPR86	PPR85	PPR84	PPR83	PPR82	PPR81	PPR80
PDSC8	FFFF F310 <sub>H</sub>	00 <sub>H</sub>	PDSC87 <sup>c</sup>	PDSC86 <sup>c</sup>	PDSC85	PDSC84	PDSC83	PDSC82	PDSC81	PDSC80
PICC8	FFFF F390 <sub>H</sub>	FF <sub>H</sub>	PICC87 <sup>c</sup>	PICC86 <sup>c</sup>	PICC85	PICC84	PICC83	PICC82	PICC81	PICC80
PILC8	FFFF F3B0 <sub>H</sub>	00 <sub>H</sub>	PILC87 <sup>c</sup>	PILC86 <sup>c</sup>	PILC85	PILC84	PILC83	PILC82	PILC81	PILC80
PODC8	FFFF F370 <sub>H</sub>	00 <sub>H</sub>	PODC87	PODC86	PODC85	PODC84	PODC83	PODC82	PODC81	PODC80

a)  $\mu$ PD70F3421,  $\mu$ PD70F3422,  $\mu$ PD70F3423 only

b) The setting of PRC80 is valid for the entire port group.

c) not available for  $\mu$ PD70F3427

**Access** All 8-bit registers can be accessed in 8-bit or 1-bit units.

### 2.4.13 Port group 9

Port group 9 is an 8-bit port group. In alternative mode, it comprises pins for the following functions:

- LCD Bus Interface data lines (DBD0 to DBD7) ( $\mu$ PD70F3424,  $\mu$ PD70F3425,  $\mu$ PD70F3426A,  $\mu$ PD70F3427 only)
- Clocked Serial Interface CSIB1 data/clock line (SCKB1, SOB1, SIB1)
- Clocked Serial Interface CSIB2 data/clock line (SCKB2, SOB2, SIB2) ( $\mu$ PD70F3424,  $\mu$ PD70F3425,  $\mu$ PD70F3426A,  $\mu$ PD70F3427 only)
- LCD controller segment signal output (SEG36 to SEG39) ( $\mu$ PD70F3421,  $\mu$ PD70F3422,  $\mu$ PD70F3423 only)
- LCD controller common signal output (COM0 to COM4) ( $\mu$ PD70F3421,  $\mu$ PD70F3422,  $\mu$ PD70F3423 only)
- External memory interface data lines D[31:24] ( $\mu$ PD70F3427 only)

Port group 9 includes the following pins:

**Table 2-43 Port group 9: pin functions and port types**

Pin functions in different modes							
Port mode (PMCnm = 0)	Alternative mode (PMCnm = 1)			LCD mode (PLCDCnm = 1) <sup>a</sup>	External memory interface mode (PMC143 = 1) <sup>b</sup>	Pin function after reset	Port type
	Output mode (PMnm = 0)		Input mode (PMnm = 1)				
	PFCnm = 0 ALT1-OUT	PFCnm = 1 ALT2-OUT					
P90 (I/O)	DBD0		SIB1	SEG36 <sup>a</sup>	D24 <sup>b</sup>	P90 (I)	Q
P91 (I/O)	DBD1	SOB1	–	SEG37 <sup>a</sup>	D25 <sup>b</sup>	P91 (I)	Q
P92 (I/O)	DBD2	SCKB1	SCKB1	SEG38 <sup>a</sup>	D26 <sup>b</sup>	P92 (I)	Q
P93 (I/O)	DBD3		–	SEG39 <sup>a</sup>	D27 <sup>b</sup>	P93 (I)	Q
P94 (I/O)	DBD4		SIB2 <sup>c</sup>	COM0 <sup>a</sup>	D28 <sup>b</sup>	P94 (I)	Q
P95 (I/O)	DBD5	SOB2 <sup>c</sup>	–	COM1 <sup>a</sup>	D29 <sup>b</sup>	P95 (I)	Q
P96 (I/O)	DBD6	SCKB2 <sup>c</sup>	SCKB2 <sup>c</sup>	COM2 <sup>a</sup>	D30 <sup>b</sup>	P96 (I)	Q
P97 (I/O)	DBD7		–	COM3 <sup>a</sup>	D31 <sup>b</sup>	P97 (I)	Q

a)  $\mu$ PD70F3421,  $\mu$ PD70F3422,  $\mu$ PD70F3423 only

b)  $\mu$ PD70F3427 only

c)  $\mu$ PD70F3424,  $\mu$ PD70F3425,  $\mu$ PD70F3426A,  $\mu$ PD70F3427 only

- Note**
1. For pins that support only one alternative output mode, the PFCnm bit is not available.
  2. Alternative *input* functions of CSIB1...CSIB2 are provided on two pins each. Thus you can select on which pin the alternative function should appear.  
Refer to “Alternative input selection” on page 44.
  3. Though DBD0-7 is a bidirectional bus PMnm must be set to "0", i.e. to output mode, when the port is used as LCD bus I/F bus DBD0-7. The change of the direction is performed automatically, when data is read from the external bus.

Table 2-44 Port group 9: configuration registers

Register	Address	Initial value	Used bits							
			PM97	PM96	PM95	PM94	PM93	PM92	PM91	PM90
PM9	FFFF F432 <sub>H</sub>	FF <sub>H</sub>	PM97	PM96	PM95	PM94	PM93	PM92	PM91	PM90
PMC9	FFFF F452 <sub>H</sub>	00 <sub>H</sub>	PMC97	PMC96	PMC95	PMC94	PMC93	PMC92	PMC91	PMC90
PFC9	FFFF F472 <sub>H</sub>	00 <sub>H</sub>	X	PFC96 <sup>a</sup>	PFC95 <sup>a</sup>	X	X	PFC92 <sup>b</sup>	PFC91 <sup>b</sup>	X
PLCDC9 <sup>c</sup>	FFFF F352 <sub>H</sub>	00 <sub>H</sub>	PLCDC97	PLCDC96	PLCDC95	PLCDC94	PLCDC93	PLCDC92	PLCDC91	PLCDC90
P9	FFFF F412 <sub>H</sub>	00 <sub>H</sub>	P97	P96	P95	P94	P93	P92	P91	P90
PRC9	FFFF F320 <sub>H</sub>	00 <sub>H</sub>	X	X	X	X	X	X	X	PRC90 <sup>d</sup>
PPR9	FFFF F3D2 <sub>H</sub>	00 <sub>H</sub>	PPR97	PPR96	PPR95	PPR94	PPR93	PPR92	PPR91	PPR90
PDSC9 <sup>e</sup>	FFFF F312 <sub>H</sub>	00 <sub>H</sub>	PDSC97	PDSC96	PDSC95	PDSC94	PDSC93	PDSC92	PDSC91	PDSC90
PICC9 <sup>e</sup>	FFFF F392 <sub>H</sub>	FF <sub>H</sub>	PICC97	PICC96	PICC95	PICC94	PICC93	PICC92	PICC91	PICC90
PILC9 <sup>e</sup>	FFFF F3B2 <sub>H</sub>	00 <sub>H</sub>	PILC97	PILC96	PILC95	PILC94	PILC93	PILC92	PILC91	PILC90
PODC9	FFFF F372 <sub>H</sub>	00 <sub>H</sub>	PODC97	PODC96	PODC95	PODC94	PODC93	PODC92	PODC91	PODC90

a)  $\mu$ PD703424,  $\mu$ PD70F3425,  $\mu$ PD703426A,  $\mu$ PD70F3427 only

b) Refer to caution below.

c)  $\mu$ PD70F3421,  $\mu$ PD70F3422,  $\mu$ PD70F3423 only

d) The setting of PRC90 is valid for the entire port group.

e) not available for  $\mu$ PD70F3427

**Access** All 8-bit registers can be accessed in 8-bit or 1-bit units.

**Caution** Though the LCD Bus Interface data lines DBD[7:0] are not available for  $\mu$ PD70F3421,  $\mu$ PD70F3422, and  $\mu$ PD70F3423 PFC91 and PFC92 must be set to 1 for making SOB1 and SCKB1 externally available.

Thus initialize

$$\text{PFC9} = \text{x6}_{\text{H}}$$

always when the CSIB1 is used on port group 9.

### 2.4.14 Port group 10

Port group 10 is an 8-bit port group. In alternative mode, it comprises pins for the following functions:

- Timer TMP0 to TMP3 (TOP00 to TOP31, TIP00 to TIP31)
- LCD Bus Interface read/write strobe ( $\overline{\text{DBRD}}$ ,  $\overline{\text{DBWR}}$ ) ( $\mu\text{PD70F3424}$ ,  $\mu\text{PD70F3425}$ ,  $\mu\text{PD70F3426A}$ ,  $\mu\text{PD70F3427}$  only)
- LCD controller segment signal output (SEG32 to SEG35) ( $\mu\text{PD70F3421}$ ,  $\mu\text{PD70F3422}$ ,  $\mu\text{PD70F3423}$  only)
- Clocked Serial Interface CSIB0 data/clock line (SIB0, SOB0, SCKB0)
- External memory interface data lines D[23:20] ( $\mu\text{PD70F3427}$  only)

Port group 10 includes the following pins

Table 2-45 Port group 10: pin functions and port types

Pin functions in different modes							
Port mode (PMCnm = 0)	Alternative mode (PMCnm = 1)			LCD mode (PLCDCnm = 1) <sup>a</sup>	External memory interface mode (PMC143 = 1) <sup>b</sup>	Pin function after reset	Port type
	Output mode (PMnm = 0)		Input mode (PMnm = 1)				
	PFCnm = 0 ALT1-OUT	PFCnm = 1 ALT2-OUT					
P100 (I/O)	TOP00	TOP11	TIP00/TIP11	–	port/alternative mode	P100 (I)	M
P101 (I/O)	TOP01	TOP10	TIP01/TIP10	–	port/alternative mode	P101 (I)	M
P102 (I/O)	TOP20	TOP31	TIP20/TIP31	–	port/alternative mode	P102 (I)	M
P103 (I/O)	TOP21	TOP30	TIP21/TIP30	–	port/alternative mode	P103 (I)	M
P104(I/O)	$\overline{\text{DBRD}}^c$		–	SEG35 <sup>a</sup>	D20 <sup>b</sup>	P104(I)	M
P105 (I/O)	$\overline{\text{DBWR}}^c$		SIB0	SEG34 <sup>a</sup>	D21 <sup>b</sup>	P105 (I)	M
P106 (I/O)	SOB0		–	SEG33 <sup>a</sup>	D22 <sup>b</sup>	P106 (I)	M
P107 (I/O)	SCKB0		SCKB0	SEG32 <sup>a</sup>	D23 <sup>b</sup>	P107 (I)	M

a)  $\mu\text{PD70F3421}$ ,  $\mu\text{PD70F3422}$ ,  $\mu\text{PD70F3423}$  only

b)  $\mu\text{PD70F3427}$  only

c)  $\mu\text{PD70F3424}$ ,  $\mu\text{PD70F3425}$ ,  $\mu\text{PD70F3426A}$ ,  $\mu\text{PD70F3427}$  only

- Note**
1. For pins that support only one alternative output mode, the PFCnm bit is not available.
  2. Alternative *input* functions of CSIB0 and TMP0...TMP3 are provided on two pins each. Thus you can select on which pin the alternative function should appear.  
Refer to “Alternative input selection” on page 44.

Table 2-46 Port group 10: configuration registers

Register	Address	Initial value	Used bits							
			PM107	PM106	PM105	PM104	PM103	PM102	PM101	PM100
PM10	FFFF F434 <sub>H</sub>	FF <sub>H</sub>								
PMC10	FFFF F454 <sub>H</sub>	00 <sub>H</sub>	PMC107	PMC106	PMC105	PMC104	PMC103	PMC102	PMC101	PMC100
PFC10	FFFF F474 <sub>H</sub>	00 <sub>H</sub>	X	X	X	X	PFC103	PFC102	PFC101	PFC100
PLCDC10 <sup>a</sup>	FFFF F354 <sub>H</sub>	00 <sub>H</sub>	PLCDC107	PLCDC106	PLCDC105	PLCDC104	X	X	X	X
P10	FFFF F414 <sub>H</sub>	00 <sub>H</sub>	P107	P106	P105	P104	P103	P102	P101	P100
PRC10	FFFF F3F4 <sub>H</sub>	00 <sub>H</sub>	X	X	X	X	X	X	X	PRC100 <sup>b</sup>
PPR10	FFFF F3D4 <sub>H</sub>	00 <sub>H</sub>	PPR107	PPR106	PPR105	PPR104	PPR103	PPR102	PPR101	PPR100
PDSC10	FFFF F314 <sub>H</sub>	00 <sub>H</sub>	PDSC107 <sup>c</sup>	PDSC106 <sup>c</sup>	PDSC105 <sup>c</sup>	PDSC104 <sup>c</sup>	PDSC103	PDSC102	PDSC101	PDSC100
PICC10	FFFF F394 <sub>H</sub>	FF <sub>H</sub>	PICC107 <sup>c</sup>	PICC106 <sup>c</sup>	PICC105 <sup>c</sup>	PICC104 <sup>c</sup>	PICC103	PICC102	PICC101	PICC100
PILC10	FFFF F3B4 <sub>H</sub>	00 <sub>H</sub>	PILC107 <sup>c</sup>	PILC106 <sup>c</sup>	PILC105 <sup>c</sup>	PILC104 <sup>c</sup>	PILC103	PILC102	PILC101	PILC100
PODC10	FFFF F374 <sub>H</sub>	00 <sub>H</sub>	PODC107	PODC106	PODC105	PODC104	PODC103	PODC102	PODC101	PODC100

a)  $\mu$ PD70F3421,  $\mu$ PD70F3422,  $\mu$ PD70F3423 only

b) The setting of PRC100 is valid for the entire port group.

c) not available for  $\mu$ PD70F3427

**Access** All 8-bit registers can be accessed in 8-bit or 1-bit units.

### 2.4.15 Port group 11

Port group 11 is an 8-bit port group. In alternative mode, it comprises pins for the following functions:

- Stepper Motor Controller/Driver outputs (SM11 to SM14, SM21 to SM24)
- Timer TMG2 channels (TOG21 to TOG24)
- Sound Generator outputs (SGO, SGOA)

Port group 11 includes the following pins:

**Table 2-47** Port group 11: pin functions and port types

Pin functions in different modes				Pin function after reset	Port type
Port mode (PMCnm = 0)	Alternative mode (PMCnm = 1)		Input mode (PMnm = 1)		
	Output mode (PMnm = 0)				
	PFCnm = 0 ALT1-OUT	PFCnm = 1 ALT2-OUT			
P110 (I/O)	SM11	TOG21	–	P110 (I)	M
P111 (I/O)	SM12	TOG22	–	P111 (I)	M
P112 (I/O)	SM13	TOG23	–	P112 (I)	M
P113 (I/O)	SM14	TOG24	–	P113 (I)	M
P114 (I/O)	SM21	SGO	–	P114 (I)	M
P115 (I/O)	SM22	SGOA	–	P115 (I)	M
P116 (I/O)	SM23		–	P116 (I)	M
P117 (I/O)	SM24		–	P117 (I)	M

- Note**
1. For pins that support only one alternative output mode, the PFCnm bit is not available.
  2. Alternative *input* functions of TMG2 are provided on two pins each. Thus you can select on which pin the alternative function should appear. Refer to “Alternative input selection” on page 44.
  3. Port group 11 is equipped with high driver buffers for stepper motor control.



Table 2-48 Port group 11: configuration registers

Register	Address	Initial value	Used bits							
			PM117	PM116	PM115	PM114	PM113	PM112	PM111	PM110
PM11	FFFF F436 <sub>H</sub>	FF <sub>H</sub>	PM117	PM116	PM115	PM114	PM113	PM112	PM111	PM110
PMC11	FFFF F456 <sub>H</sub>	00 <sub>H</sub>	PMC117	PMC116	PMC115	PMC114	PMC113	PMC112	PMC111	PMC110
PFC11	FFFF F476 <sub>H</sub>	00 <sub>H</sub>	X	X	PFC115	PFC114	PFC113	PFC112	PFC111	PFC110
P11	FFFF F416 <sub>H</sub>	00 <sub>H</sub>	P117	P116	P115	P114	P113	P112	P111	P110
PRC11	FFFF F3F6 <sub>H</sub>	00 <sub>H</sub>	X	X	X	X	X	X	X	PRC110 <sup>a</sup>
PPR11	FFFF F3D6 <sub>H</sub>	00 <sub>H</sub>	PPR117	PPR116	PPR115	PPR114	PPR113	PPR112	PPR111	PPR110
PICC11	FFFF F396 <sub>H</sub>	FF <sub>H</sub>	PICC117	PICC116	PICC115	PICC114	PICC113	PICC112	PICC111	PICC110
PILC11	FFFF F3B6 <sub>H</sub>	00 <sub>H</sub>	PILC117	PILC116	PILC115	PILC114	PILC113	PILC112	PILC111	PILC110
PODC11	FFFF F376 <sub>H</sub>	00 <sub>H</sub>	PODC117	PODC116	PODC115	PODC114	PODC113	PODC112	PODC111	PODC110

a) The setting of PRC110 is valid for the entire port group.

**Access** All 8-bit registers can be accessed in 8-bit or 1-bit units.

### 2.4.16 Port group 12

Port group 12 is an 8-bit port group. In alternative mode, it comprises pins for the following functions:

- Stepper Motor Controller/Driver outputs (SM51 to SM54, SM61 to SM64)

Port group 12 includes the following pins:

**Table 2-49 Port group 12: pin functions and port types**

Pin functions in different modes			Pin function after reset	Port type
Port mode (PMCnm = 0)	Alternative mode (PMCnm = 1)			
	Output mode (PMnm = 0)	Input mode (PMnm = 1)		
P120 (I/O)	SM51	–	P120 (I)	M
P121 (I/O)	SM52	–	P121 (I)	M
P122 (I/O)	SM53	–	P122 (I)	M
P123 (I/O)	SM54	–	P123 (I)	M
P124 (I/O)	SM61	–	P124 (I)	M
P125 (I/O)	SM62	–	P125 (I)	M
P126 (I/O)	SM63	–	P126 (I)	M
P127 (I/O)	SM64	–	P127 (I)	M

**Note** Port group 12 is equipped with high driver buffers for stepper motor control.

**Table 2-50 Port group 12: configuration registers**

Register	Address	Initial value	Used bits							
			PM127	PM126	PM125	PM124	PM123	PM122	PM121	PM120
PM12 <sup>a</sup>	FFFF F438 <sub>H</sub>	FF <sub>H</sub>	PM127	PM126	PM125	PM124	PM123	PM122	PM121	PM120
PMC12	FFFF F458 <sub>H</sub>	00 <sub>H</sub>	PMC127	PMC126	PMC125	PMC124	PMC123	PMC122	PMC121	PMC120
P12	FFFF F418 <sub>H</sub>	00 <sub>H</sub>	P127	P126	P125	P124	P123	P122	P121	P120
PRC12	FFFF F3F8 <sub>H</sub>	00 <sub>H</sub>	X	X	X	X	X	X	X	PRC120 <sup>b</sup>
PPR12	FFFF F3D8 <sub>H</sub>	00 <sub>H</sub>	PPR127	PPR126	PPR125	PPR124	PPR123	PPR122	PPR121	PPR120
PICC12	FFFF F398 <sub>H</sub>	FF <sub>H</sub>	PICC127	PICC126	PICC125	PICC124	PICC123	PICC122	PICC121	PICC120
PILC12	FFFF F3B8 <sub>H</sub>	00 <sub>H</sub>	PILC127	PILC126	PILC125	PILC124	PILC123	PILC122	PILC121	PILC120
PODC12	FFFF F378 <sub>H</sub>	00 <sub>H</sub>	PODC127	PODC126	PODC125	PODC124	PODC123	PODC122	PODC121	PODC120

a) PM12 register has to be changed from its default value FF<sub>H</sub> to 00<sub>H</sub> in order to enable the stepper motor controller/driver outputs.

b) The setting of PRC120 is valid for the entire port group.

**Access** All 8-bit registers can be accessed in 8-bit or 1-bit units.

### 2.4.17 Port group 13

Port group 13 is an 8-bit port group. In alternative mode, it comprises pins for the following functions:

- Stepper Motor Controller/Driver outputs (SM31 to SM34, SM41 to SM44)
- Timer TMG0 to TMG1 channels (TIG01 to TIG04, TOG01 to TOG04, TIG11 to TIG14, TOG11 to TOG14)

Port group 13 includes the following pins:

Table 2-51 Port group 13: pin functions and port types

Pin functions in different modes				Pin function after reset	Port type
Port mode (PMCnm = 0)	Alternative mode (PMCnm = 1)				
	output mode (PMnm = 0)		Input mode (PMnm = 1)		
	PFCnm = 0 ALT1-OUT	PFCnm = 1 ALT2-OUT			
P130 (I/O)	SM31	TOG01	TIG01	P130 (I)	M
P131 (I/O)	SM32	TOG02	TIG02	P131 (I)	M
P132 (I/O)	SM33	TOG03	TIG03	P132 (I)	M
P133 (I/O)	SM34	TOG04	TIG04	P133 (I)	M
P134 (I/O)	SM41	TOG11	TIG11	P134 (I)	M
P135 (I/O)	SM42	TOG12	TIG12	P135 (I)	M
P136 (I/O)	SM43	TOG13	TIG13	P136 (I)	M
P137 (I/O)	SM44	TOG14	TIG14	P137 (I)	M

- Note**
1. Alternative *input* functions of TMG0...TMG1 are provided on two pins each. Thus you can select on which pin the alternative function should appear.  
Refer to “Alternative input selection“ on page 44.
  2. Port group 13 is equipped with high driver buffers for stepper motor control.

Table 2-52 Port group 13: configuration registers

Register	Address	Initial value	Used bits							
			PM137	PM136	PM135	PM134	PM133	PM132	PM131	PM130
PM13	FFFF F43A <sub>H</sub>	FF <sub>H</sub>	PM137	PM136	PM135	PM134	PM133	PM132	PM131	PM130
PMC13	FFFF F45A <sub>H</sub>	00 <sub>H</sub>	PMC137	PMC136	PMC135	PMC134	PMC133	PMC132	PMC131	PMC130
PFC13	FFFF F47A <sub>H</sub>	00 <sub>H</sub>	PFC137	PFC136	PFC135	PFC134	PFC133	PFC132	PFC131	PFC130
P13	FFFF F41A <sub>H</sub>	00 <sub>H</sub>	P137	P136	P135	P134	P133	P132	P131	P130
PRC13	FFFF F3FA <sub>H</sub>	00 <sub>H</sub>	X	X	X	X	X	X	X	PRC130 <sup>a)</sup>
PPR13	FFFF F3DA <sub>H</sub>	00 <sub>H</sub>	PPR137	PPR136	PPR135	PPR134	PPR133	PPR132	PPR131	PPR130
PICC13	FFFF F39A <sub>H</sub>	FF <sub>H</sub>	PICC137	PICC136	PICC135	PICC134	PICC133	PICC132	PICC131	PICC130
PILC13	FFFF F3BA <sub>H</sub>	00 <sub>H</sub>	PILC137	PILC136	PILC135	PILC134	PILC133	PILC132	PILC131	PILC130
PODC13	FFFF F37A <sub>H</sub>	00 <sub>H</sub>	PODC137	PODC136	PODC135	PODC134	PODC133	PODC132	PODC131	PODC130

a) The setting of PRC130 is valid for the entire port group.

**Access** All 8-bit registers can be accessed in 8-bit or 1-bit units.

### 2.4.18 Port group 14 (μPD70F3427 only)

Port group 14 is a 3-bit port group. In alternative mode, it comprises pins for the following functions:

- External memory interface bus clock BCLK
- External memory interface byte enable signals  $\overline{BE2}$ ,  $\overline{BE3}$

Port group 14 includes the following pins:

**Table 2-53 Port group 14: pin functions and port types**

Pin functions in different modes				
Port mode (PMCnm = 0)	Alternative mode (PMCnm = 1)		Pin function after reset	Port type
	Output mode (PMnm = 0)	Input mode (PMnm = 1)		
P140 (I/O)	BCLK	–	P140 (I)	M
P141 (I/O)	$\overline{BE2}$	–	P141 (I)	M
P142 (I/O)	$\overline{BE3}$	–	P142 (I)	M

**Table 2-54 Port group 14: configuration registers**

Register	Address	Initial value	Used bits							
PM14	FFFF F43C <sub>H</sub>	FF <sub>H</sub>	X	X	X	X	X	PM142	PM141	PM140
PMC14	FFFF F45C <sub>H</sub>	10 <sub>H</sub>	X	X	X	1 <sup>a</sup>	PMC143 <sup>b</sup>	PMC142	PMC141	PMC140
P14	FFFF F41C <sub>H</sub>	00 <sub>H</sub>	X	X	X	X	X	P142	P141	P140
PRC14	FFFF F3FC <sub>H</sub>	00 <sub>H</sub>	X	X	X	X	X	X	X	PRC140 <sup>c</sup>
PPR14	FFFF F3DC <sub>H</sub>	00 <sub>H</sub>	X	X	X	X	X	PPR142	PPR141	PPR140

a) This bit is set to 1 after reset and cannot be changed.

b) PMC143 specifies the data bus width of the external memory interface:

- PMC143 = 0: 16-bit data bus D[15:0], D[31:16] pins of port groups 3, 8, 9, 10 operate in port/alternative mode
- PMC143 = 1: 32-bit data bus D[31:0], D[31:16] pins of port groups 3, 8, 9, 10 operate as data bus pins

c) The setting of PRC140 is valid for the entire port group.

**Access** All 8-bit registers can be accessed in 8-bit or 1-bit units.

### 2.4.19 Port group AL

Port group AL is a 16-bit port group. In alternative mode, it comprises pins for the external memory interface address lines 0 to 15.

This port group is externally only available for  $\mu$ PD70F3419 devices.

**Caution** For the  $\mu$ PD70F3418 this port group must be configured as output port mode. Thus set following registers as shown below:

- port mode: PMCAL = 0000<sub>H</sub>
- output port: PMAL = 0000<sub>H</sub>

Port group AL includes the following pins:

**Table 2-55 Port group AL: pin functions and port types**

Pin functions in different modes			Pin function after reset	Port type
Port mode (PMCnm = 0)	Alternative mode (PMCnm = 1)			
	Output mode (PMnm = 0)	Input mode (PMnm = 1)		
PAL0 (I/O)	A0	-	PAL0 (I)	M
PAL1 (I/O)	A1	-	PAL1 (I)	M
PAL2 (I/O)	A2	-	PAL2 (I)	M
PAL3 (I/O)	A3	-	PAL3 (I)	M
PAL4 (I/O)	A4	-	PAL4 (I)	M
PAL5 (I/O)	A5	-	PAL5 (I)	M
PAL6 (I/O)	A6	-	PAL6 (I)	M
PAL7 (I/O)	A7	-	PAL7 (I)	M
PAL8 (I/O)	A8	-	PAL8 (I)	M
PAL9 (I/O)	A9	-	PAL9 (I)	M
PAL10 (I/O)	A10	-	PAL10 (I)	M
PAL11 (I/O)	A11	-	PAL11 (I)	M
PAL12 (I/O)	A12	-	PAL12 (I)	M
PAL13 (I/O)	A13	-	PAL13 (I)	M
PAL14 (I/O)	A14	-	PAL14 (I)	M
PAL15 (I/O)	A15	-	PAL15 (I)	M

Table 2-56 Port group AL: configuration registers

Register	Address	Initial value	Used bits							
PMALL	FFFF F020 <sub>H</sub>	FF <sub>H</sub>	PMAL7	PMAL6	PMAL5	PMAL4	PMAL3	PMAL2	PMAL1	PMAL0
PMALH	FFFF F021 <sub>H</sub>	FF <sub>H</sub>	PMAL15	PMAL14	PMAL13	PMAL12	PMAL11	PMAL10	PMAL9	PMAL8
PMAL (16 bit)	FFFF F020 <sub>H</sub>	FFFF <sub>H</sub>	PMAL15 to PMAL8 (PMALH)				PMAL7 to PMAL0 (PMALL)			
PMCALL	FFFF F040 <sub>H</sub>	00 <sub>H</sub>	PMCAL7	PMCAL6	PMCAL5	PMCAL4	PMCAL3	PMCAL2	PMCAL1	PMCAL0
PMCALH	FFFF F041 <sub>H</sub>	00 <sub>H</sub>	PMCAL15	PMCAL14	PMCAL13	PMCAL12	PMCAL11	PMCAL10	PMCAL9	PMCAL8
PMCAL (16 bit)	FFFF F040 <sub>H</sub>	0000 <sub>H</sub>	PMCAL15 to PMCAL8 (PMCALH)				PMCAL7 to PMCAL0 (PMCALL)			
PALL	FFFF F000 <sub>H</sub>	00 <sub>H</sub>	PAL7	PAL6	PAL5	PAL4	PAL3	PAL2	PAL1	PAL0
PALH	FFFF F001 <sub>H</sub>	00 <sub>H</sub>	PAL15	PAL14	PAL13	PAL12	PAL11	PAL10	PAL9	PAL8
PAL (16 bit)	FFFF F000 <sub>H</sub>	0000 <sub>H</sub>	PAL15 to PAL8 (PALH)				PAL7 to PAL0 (PALL)			
PRCAL	FFFF F2E0 <sub>H</sub>	00 <sub>H</sub>	X	X	X	X	X	X	X	PRCAL0 <sup>a</sup>
PPRALL	FFFF F2C0 <sub>H</sub>	00 <sub>H</sub>	PPRAL7	PPRAL6	PPRAL5	PPRAL4	PPRAL3	PPRAL2	PPRAL1	PPRAL0
PPRALH	FFFF F2C1 <sub>H</sub>	00 <sub>H</sub>	PPRAL15	PPRAL14	PPRAL13	PPRAL12	PPRAL11	PPRAL10	PPRAL9	PPRAL8
PPRAL (16 bit)	FFFF F2C0 <sub>H</sub>	0000 <sub>H</sub>	PPRAL15 to PPRAL8 (PPRALH)				PPRAL7 to PPRAL0 (PPRALL)			
PDSCEAL	FFFF F260 <sub>H</sub>	00 <sub>H</sub>	X	X	X	X	X	X	X	PDSCEAL0
PDSCAL	FFFF F240 <sub>H</sub>	00 <sub>H</sub>	X	X	X	X	X	X	X	PDSCAL0
PICCAL	FFFF F280 <sub>H</sub>	FF <sub>H</sub>	X	X	X	X	X	X	X	PICCAL0
PILCAL	FFFF F2A0 <sub>H</sub>	01 <sub>H</sub>	X	X	X	X	X	X	X	PILCAL0

a) The setting of PRCAL0 is valid for the entire port group.

**Access** All 8-bit registers can be accessed in 8-bit or 1-bit units.

All 16-bit registers can be accessed in 16-bit units.

### 2.4.20 Port group AH

Port group AH is a 7-bit port group. In alternative mode, it comprises pins for the external memory interface address lines 16 to 22.

This port group is externally only available for  $\mu$ PD70F3419 devices.

**Caution** For the  $\mu$ PD70F3418 this port group must be configured as output port mode. Thus set following registers as shown below:

- port mode: PMCAH = 00<sub>H</sub>
- output port: PMAH = 00<sub>H</sub>

Port group AH includes the following pins:

**Table 2-57** Port group AH: pin functions and port types

Pin functions in different modes			Pin function after reset	Port type
Port mode (PMCnm = 0)	Alternative mode (PMCnm = 1)			
	Output mode (PMnm = 0)	Input mode (PMnm = 1)		
PAH0 (I/O)	A16	-	PAH0 (I)	M
PAH1 (I/O)	A17	-	PAH1 (I)	M
PAH2 (I/O)	A18	-	PAH2 (I)	M
PAH3 (I/O)	A19	-	PAH3 (I)	M
PAH4 (I/O)	A20	-	PAH4 (I)	M
PAH5 (I/O)	A21	-	PAH5 (I)	M
PAH6 (I/O)	A22	-	PAH6 (I)	M

**Table 2-58** Port group AH: configuration registers

Register	Address	Initial value	Used bits							
PMAH	FFFF F022 <sub>H</sub>	FF <sub>H</sub>	-	PMAH6	PMAH5	PMAH4	PMAH3	PMAH2	PMAH1	PMAH0
PMCAH	FFFF F042 <sub>H</sub>	00 <sub>H</sub>	-	PMCAH6	PMCAH5	PMCAH4	PMCAH3	PMCAH2	PMCAH1	PMCAH0
PAH	FFFF F002 <sub>H</sub>	00 <sub>H</sub>	-	PAH6	PAH5	PAH4	PAH3	PAH2	PAH1	PAH0
PRCAH	FFFF F2E2 <sub>H</sub>	00 <sub>H</sub>	-	X	X	X	X	X	X	PRCAH0 <sup>a)</sup>
PPRAH	FFFF F2C2 <sub>H</sub>	00 <sub>H</sub>	-	PPRAH6	PPRAH5	PPRAH4	PPRAH3	PPRAH2	PPRAH1	PPRAH0
PDSCEAH	FFFF F262 <sub>H</sub>	00 <sub>H</sub>	-	X	X	X	X	X	X	PDSCEAH0
PDSCAH	FFFF F242 <sub>H</sub>	00 <sub>H</sub>	-	X	X	X	X	X	X	PDSCAH0
PICCAH	FFFF F282 <sub>H</sub>	FF <sub>H</sub>	-	X	X	X	X	X	X	PICCAH0
PILCAH	FFFF F2A2 <sub>H</sub>	01 <sub>H</sub>	-	X	X	X	X	X	X	PILCAH0

<sup>a)</sup> The setting of PRCAH0 is valid for the entire port group.

**Access** All 8-bit registers can be accessed in 8-bit or 1-bit units.

All 16-bit registers can be accessed in 16-bit units.

### 2.4.21 Port group CS

Port group CS is a 3-bit port group. In alternative mode, it comprises pins for the following functions:

- External memory interface chip select signals ( $\overline{CS0}$ ,  $\overline{CS3}$ ,  $\overline{CS4}$ )
- External memory interface data wait request ( $\overline{WAIT}$ )

This port group is externally only available for  $\mu$ PD70F3419 devices.

**Caution** For the  $\mu$ PD70F3418 this port group must be configured as output port mode. Thus set following registers as shown below:

- port mode: PMCCS = 00<sub>H</sub>
- output port: PMCS = 00<sub>H</sub>

Port group CS includes the following pins:

**Table 2-59 Port group CS: pin functions and port types**

Pin functions in different modes			Pin function after reset	Port type
Port mode (PMCnm = 0)	Alternative mode (PMCnm = 1)			
	Output mode (PMnm = 0)	Input mode (PMnm = 1)		
PCS0 (I/O)	$\overline{CS0}$	–	PCS0 (I)	M
PCS3 (I/O)	$\overline{CS3}$	–	PCS3 (I)	M
PCS4 (I/O)	$\overline{CS4}$	$\overline{WAIT}$	PCS4 (I)	M

**Table 2-60 Port group CS: configuration registers**

Register	Address	Initial value	Used bits							
PMCS	FFFF F028 <sub>H</sub>	FF <sub>H</sub>	X	X	X	PMCS4	PMCS3	X	X	PMCS0
PMCCS	FFFF F048 <sub>H</sub>	00 <sub>H</sub>	X	X	X	PMCCS4	PMCCS3	X	X	PMCCS0
PCS	FFFF F008 <sub>H</sub>	00 <sub>H</sub>	X	X	X	PCS4	PCS3	X	X	PCS0
PRCCS	FFFF F2E8 <sub>H</sub>	00 <sub>H</sub>	X	X	X	X	X	X	X	PRCCS0 <sup>a)</sup>
PPRCS	FFFF F2C8 <sub>H</sub>	00 <sub>H</sub>	X	X	X	PPRCS4	PPRCS3	X	X	PPRCS0
PDSCECS	FFFF F268 <sub>H</sub>	00 <sub>H</sub>	X	X	X	X	X	X	X	PDSCECS0
PDSCCS	FFFF F248 <sub>H</sub>	00 <sub>H</sub>	X	X	X	X	X	X	X	PDSCCS0
PICCCS	FFFF F288 <sub>H</sub>	FF <sub>H</sub>	X	X	X	X	X	X	X	PICCCS0
PILCCS	FFFF F2A8 <sub>H</sub>	01 <sub>H</sub>	X	X	X	X	X	X	X	PILCCS0

<sup>a)</sup> The setting of PRCCS0 is valid for the entire port group.

**www.DataSheetAccess** All 8-bit registers can be accessed in 8-bit or 1-bit units.



### 2.4.22 Port group CT

Port group CT is a 2-bit port group. In alternative mode, it comprises pins for the external memory interface read/write strobe.

This port group is externally only available for  $\mu$ PD70F3419 devices.

**Caution** For the  $\mu$ PD70F3418 this port group must be configured as output port mode. Thus set following registers as shown below:

- port mode: PMCCT = 00<sub>H</sub>
- output port: PMCT = 00<sub>H</sub>

Port group CT includes the following pins:

Table 2-61 Port group CT: pin functions and port types

Pin functions in different modes			Pin function after reset	Port type
Port mode (PMCnm = 0)	Alternative mode (PMCnm = 1)			
	Output mode (PMnm = 0)	Input mode (PMnm = 1)		
PCT0 (I/O)	$\overline{WR}$	–	PCT0 (I)	M
PCT4 (I/O)	$\overline{RD}$	–	PCT4 (I)	M

Table 2-62 Port group CT: configuration registers

Register	Address	Initial value	Used bits							
PMCT	FFFF F02A <sub>H</sub>	FF <sub>H</sub>	X	X	X	PMCT4	X	X	X	PMCT0
PMCCT	FFFF F04A <sub>H</sub>	00 <sub>H</sub>	X	X	X	PMCCT4	X	X	X	PMCCT0
PCT	FFFF F00A <sub>H</sub>	00 <sub>H</sub>	X	X	X	PCT4	X	X	X	PCT0
PRCCT	FFFF F2EA <sub>H</sub>	00 <sub>H</sub>	X	X	X	X	X	X	X	PRCCT0 <sup>a</sup>
PPRCT	FFFF F2CA <sub>H</sub>	00 <sub>H</sub>	X	X	X	PPRCT4	X	X	X	PPRCT0
PDSCECT	FFFF F26A <sub>H</sub>	00 <sub>H</sub>	X	X	X	X	X	X	X	PDSCECT0
PDSCCT	FFFF F24A <sub>H</sub>	00 <sub>H</sub>	X	X	X	X	X	X	X	PDSCCT0
PICCCT	FFFF F28A <sub>H</sub>	FF <sub>H</sub>	X	X	X	X	X	X	X	PICCCT0
PILCCT	FFFF F2AA <sub>H</sub>	01 <sub>H</sub>	X	X	X	X	X	X	X	PILCCT0

a) The setting of PRCCT0 is valid for the entire port group.

**Access** All 8-bit registers can be accessed in 8-bit or 1-bit units.

### 2.4.23 Port group DL

Port group DL is a 16-bit port group. In alternative mode, it comprises pins for the external memory interface data lines 0 to 15.

This port group is externally only available for  $\mu$ PD70F3419 devices.

**Caution** For the  $\mu$ PD70F3418 this port group must be configured as output port mode. Thus set following registers as shown below:

- port mode: PMCDL = 00<sub>H</sub>
- output port: PMDL = 00<sub>H</sub>

Port group DL includes the following pins:

**Table 2-63 Port group DL: pin functions and port type**

Pin functions in different modes		Pin function after reset	Port type
Port mode (PMNm = 0)	Alternative mode (PMNm = 1)		
PDL0 (I/O)	D0	PDL0 (I)	M
PDL1 (I/O)	D1	PDL1 (I)	M
PDL2 (I/O)	D2	PDL2 (I)	M
PDL3 (I/O)	D3	PDL3 (I)	M
PDL4 (I/O)	D4	PDL4 (I)	M
PDL5 (I/O)	D5	PDL5 (I)	M
PDL6 (I/O)	D6	PDL6 (I)	M
PDL7 (I/O)	D7	PDL7 (I)	M
PDL8 (I/O)	D8	PDL8 (I)	M
PDL9 (I/O)	D9	PDL9 (I)	M
PDL10 (I/O)	D10	PDL10 (I)	M
PDL11 (I/O)	D11	PDL11 (I)	M
PDL12 (I/O)	D12	PDL12 (I)	M
PDL13 (I/O)	D13	PDL13 (I)	M
PDL14 (I/O)	D14	PDL14 (I)	M
PDL15 (I/O)	D15	PDL15 (I)	M

**Note** Though D0-15 is a bidirectional bus don't care about PMNm. The change of the input and output direction is performed automatically, when data is read from or written to the external bus.

Table 2-64 Port group DL: configuration registers

Register	Address	Initial value	Used bits							
PMDLL	FFFF F024 <sub>H</sub>	FF <sub>H</sub>	PMDL7	PMDL6	PMDL5	PMDL4	PMDL3	PMDL2	PMDL1	PMDL0
PMDLH	FFFF F025 <sub>H</sub>	FF <sub>H</sub>	PMDL15	PMDL14	PMDL13	PMDL12	PMDL11	PMDL10	PMDL9	PMDL8
PMDL (16 bit)	FFFF F024 <sub>H</sub>	FFFF <sub>H</sub>	PMDL15 to PMDL8 (PMDLH)				PMDL7 to PMDL0 (PMDLL)			
PMCDLL	FFFF F044 <sub>H</sub>	00 <sub>H</sub>	PMCDL7	PMCDL6	PMCDL5	PMCDL4	PMCDL3	PMCDL2	PMCDL1	PMCDL0
PMCDLH	FFFF F045 <sub>H</sub>	00 <sub>H</sub>	PMCDL15	PMCDL14	PMCDL13	PMCDL12	PMCDL11	PMCDL10	PMCDL9	PMCDL8
PMCDL (16 bit)	FFFF F044 <sub>H</sub>	0000 <sub>H</sub>	PMCDL15 to PMCDL8 (PMCDLH)				PMCDL7 to PMCDL0 (PMCDLL)			
PDLL	FFFF F004 <sub>H</sub>	00 <sub>H</sub>	PDL7	PDL6	PDL5	PDL4	PDL3	PDL2	PDL1	PDL0
PDLH	FFFF F005 <sub>H</sub>	00 <sub>H</sub>	PDL15	PDL14	PDL13	PDL12	PDL11	PDL10	PDL9	PDL8
PDL (16 bit)	FFFF F004 <sub>H</sub>	0000 <sub>H</sub>	PDL15 to PDL8 (PDLH)				PDL7 to PDL0 (PDLL)			
PRCDL	FFFF F2E4 <sub>H</sub>	00 <sub>H</sub>	X	X	X	X	X	X	X	PRCDL0 <sup>a</sup>
PPRDLL	FFFF F2C4 <sub>H</sub>	00 <sub>H</sub>	PPRDL7	PPRDL6	PPRDL5	PPRDL4	PPRDL3	PPRDL2	PPRDL1	PPRDL0
PPRDLH	FFFF F2C5 <sub>H</sub>	00 <sub>H</sub>	PPRDL15	PPRDL14	PPRDL13	PPRDL12	PPRDL11	PPRDL10	PPRDL9	PPRDL8
PPRDL (16 bit)	FFFF F2C4 <sub>H</sub>	0000 <sub>H</sub>	PPRDL15 to PPRDL8 (PPRDLH)				PPRDL7 to PPRDL0 (PPRDLL)			
PDSCEDL	FFFF F264 <sub>H</sub>	00 <sub>H</sub>	X	X	X	X	X	X	X	PDSCEDL0
PDSCDL	FFFF F244 <sub>H</sub>	00 <sub>H</sub>	X	X	X	X	X	X	X	PDSCDL0
PICCDL	FFFF F284 <sub>H</sub>	FF <sub>H</sub>	X	X	X	X	X	X	X	PICCDL0
PILCDL	FFFF F2A4 <sub>H</sub>	01 <sub>H</sub>	X	X	X	X	X	X	X	PILCDL0

a) The setting of PRCDL0 is valid for the entire port group.

**Access** All 8-bit registers can be accessed in 8-bit or 1-bit units.

All 16-bit registers can be accessed in 16-bit units.

### 2.4.24 Port group DH

Port group DH is a 16-bit port group. In alternative mode, it comprises pins for the external memory interface data lines 16 to 31.

This port group is externally only available for  $\mu$ PD70F3419 devices.

**Caution** For the  $\mu$ PD70F3418 this port group must be configured as output port mode. Thus set following registers as shown below:

- port mode: PMCDH = 00<sub>H</sub>
- output port: PMDH = 00<sub>H</sub>

Port group DH includes the following pins:

**Table 2-65** Port group DH: pin functions and port types

Pin functions in different modes		Pin function after reset	Port type
Port mode (PM <sub>Cnm</sub> = 0)	Alternative mode (PM <sub>Cnm</sub> = 1)		
PDH0 (I/O)	D16	PDH0 (I)	M
PDH1 (I/O)	D17	PDH1 (I)	M
PDH2 (I/O)	D18	PDH2 (I)	M
PDH3 (I/O)	D19	PDH3 (I)	M
PDH4 (I/O)	D20	PDH4 (I)	M
PDH5 (I/O)	D21	PDH5 (I)	M
PDH6 (I/O)	D22	PDH6 (I)	M
PDH7 (I/O)	D23	PDH7 (I)	M
PDH8 (I/O)	D24	PDH8 (I)	M
PDH9 (I/O)	D25	PDH9 (I)	M
PDH10 (I/O)	D26	PDH10 (I)	M
PDH11 (I/O)	D27	PDH11 (I)	M
PDH12 (I/O)	D28	PDH12 (I)	M
PDH13 (I/O)	D29	PDH13 (I)	M
PDH14 (I/O)	D30	PDH14 (I)	M
PDH15 (I/O)	D31	PDH15 (I)	M

**Note** Though D16-31 is a bidirectional bus don't care about PM<sub>n</sub>m. The change of the input and output direction is performed automatically, when data is read from or written to the external bus.

Table 2-66 Port group DH: configuration registers

Register	Address	Initial value	Used bits							
PMDHL	FFFF F026 <sub>H</sub>	FF <sub>H</sub>	PMDH7	PMDH6	PMDH5	PMDH4	PMDH3	PMDH2	PMDH1	PMDH0
PMDHH	FFFF F027 <sub>H</sub>	FF <sub>H</sub>	PMDH15	PMDH14	PMDH13	PMDH12	PMDH11	PMDH10	PMDH9	PMDH8
PMDH (16 bit)	FFFF F026 <sub>H</sub>	FFFF <sub>H</sub>	PMDHL15 to PMDH8 (PMDHH)				PMDH7 to PMDH0 (PMDHL)			
PMCDHL	FFFF F046 <sub>H</sub>	00 <sub>H</sub>	PMCDH7	PMCDH6	PMCDH5	PMCDH4	PMCDH3	PMCDH2	PMCDH1	PMCDH0
PMCDHH	FFFF F047 <sub>H</sub>	00 <sub>H</sub>	PMCDH15	PMCDH14	PMCDH13	PMCDH12	PMCDH11	PMCDH10	PMCDH9	PMCDH8
PMCDH (16 bit)	FFFF F046 <sub>H</sub>	0000 <sub>H</sub>	PMCDHL15 to PMCDH8 (PMCDHH)				PMCDH7 to PMCDH0 (PMCDHL)			
PDHL	FFFF F006 <sub>H</sub>	00 <sub>H</sub>	PDH7	PDH6	PDH5	PDH4	PDH3	PDH2	PDH1	PDH0
PDHH	FFFF F007 <sub>H</sub>	00 <sub>H</sub>	PDH15	PDH14	PDH13	PDH12	PDH11	PDH10	PDH9	PDH8
PDH (16 bit)	FFFF F006 <sub>H</sub>	0000 <sub>H</sub>	PDH15 to PDH8 (PDHH)				PDH7 to PDH0 (PDHL)			
PRCDH	FFFF F2E6 <sub>H</sub>	00 <sub>H</sub>	X	X	X	X	X	X	X	PRCDH0 <sup>a)</sup>
PPRDHL	FFFF F2C6 <sub>H</sub>	00 <sub>H</sub>	PPRDH7	PPRDH6	PPRDH5	PPRDH4	PPRDH3	PPRDH2	PPRDH1	PPRDH0
PPRDHH	FFFF F2C7 <sub>H</sub>	00 <sub>H</sub>	PPRDH15	PPRDH14	PPRDH13	PPRDH12	PPRDH11	PPRDH10	PPRDH9	PPRDH8
PPRDH (16 bit)	FFFF F2C6 <sub>H</sub>	0000 <sub>H</sub>	PPRDH15 to PPRDH8 (PPRDHH)				PPRDH7 to PPRDH0 (PPRDHL)			
PDSCEDH	FFFF F266 <sub>H</sub>	00 <sub>H</sub>	X	X	X	X	X	X	X	PDSCEDH0
PDSCDH	FFFF F246 <sub>H</sub>	00 <sub>H</sub>	X	X	X	X	X	X	X	PDSCDH0
PICCDH	FFFF F286 <sub>H</sub>	FF <sub>H</sub>	X	X	X	X	X	X	X	PICCDH0
PILCDH	FFFF F2A6 <sub>H</sub>	01 <sub>H</sub>	X	X	X	X	X	X	X	PILCDH0

a) The setting of PRCDH0 is valid for the entire port group.

**Access** All 8-bit registers can be accessed in 8-bit or 1-bit units.

All 16-bit registers can be accessed in 16-bit units.

## 2.5 Noise Elimination

The input signals at some pins are passed through a filter to remove noise and glitches. The microcontroller supports both analog and digital filters. The analog filters are always applied to the input signals, whereas the digital filters can be enabled/disabled by control registers.

### 2.5.1 Analog filtered inputs

The external interrupts INTP0...INTP7 and NMI and the external  $\overline{\text{RESET}}$  input are passed through an analog filter to remove noise and glitches. The analog filter suppresses input pulses that are shorter than a specified pulse width (refer to the Data Sheet). This assures the hold time for the external interrupt signals.

The analog filter operates in all modes (normal mode and standby modes). It is only effective if the corresponding pin works in alternative input mode and not as a general purpose I/O port.

### 2.5.2 Digitally filtered inputs

The inputs of the peripherals listed below are passed through a digital filter to remove noise and glitches.

The digital filter operates in all modes, which have the PLL enabled. Thus, it does not operate in Watch, Sub-watch and Idle mode. The digital filter is only effective if the corresponding pin works in alternative input mode and not as a general purpose I/O port.

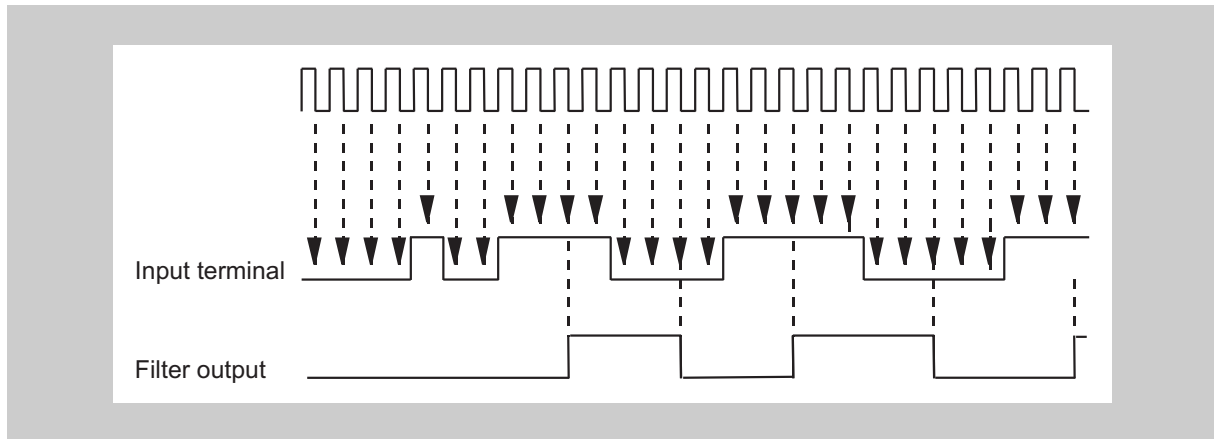
The digital input filter is available for the following external signals:

Table 2-67 Digitally filtered external signals

Module	Signal	Comment
CSIB0	SIB0, SCKB0	For high clock rates of the Clocked Serial Interface, the digital filter should be disabled. Otherwise, desired input pulses may be removed by the digital filter.
CSIB1	SIB1, SCKB1	
CSIB2	SIB2, SCKB2	
TMP0	TIP00, TIP01	
TMP1	TIP10, TIP11	
TMP2	TIP20, TIP21	
TMP3	TIP30, TIP31	
TMG0	TIG01 to TIG04	
TMG1	TIG11 to TIG14	
TMG2	TIG20 to TIG25	

**Note** The Timers G provide additional digital noise filters at their capture inputs TIGN1 to TIGN4. Refer also to the Data Sheet for the minimum capture inputs pulse widths.

**Filter operation** The input terminal signal is sampled with the sampling frequency  $f_s$ . Spikes shorter than 2 sampling cycles are suppressed and no internal signal is generated. Pulses longer than 3 sampling cycles are recognized as valid pulses and an internal signal is generated. For pulses between 2 and 3 sampling cycles, the behaviour is not defined. The filter operation is illustrated in *Figure 2-6*.



**Figure 2-6** Digital noise removal example

The minimum input terminal pulse width to be validated is defined by the sampling frequency  $f_s$ . The sampling frequency  $f_s$  is PCLK0.

**Table 2-68** Digital noise removal features

Sampling frequency $f_s = \text{PCLK0}$	Minimum pulse width to generate an internal signal
16 MHz (PLL enabled)	0.125 – 0.1875 $\mu\text{sec}$
4 MHz (PLL disabled)	0.5 – 0.75 $\mu\text{sec}$

The digital filter function can be individually enabled for each of the aforementioned external input signals. The filter is enabled/disabled by the 16-bit registers DFEN0 and DFEN1.

**(1) DFEN0 - Digital filter enable register**

The 16-bit DFEN0 register enables/disables the digital filter for TMP0 to TMP3 and TMG0 input channels and for CSIB0 to CSIB2 input channels.

**Access** This register can be read/written in 16-bit, 8-bit and 1-bit units.

**Address** FFFF F710<sub>H</sub>

**Initial Value** 0000<sub>H</sub>. This register is cleared by any reset.

15	14	13	12	11	10	9	8
DFENC15	DFENC14	DFENC13	DFENC12	DFENC11	DFENC10	DFENC9	DFENC8
R/W	R/W	R/W	R/W	R/W	R/W	R/W	R/W
7	6	5	4	3	2	1	0
DFENC7	DFENC6	DFENC5	DFENC4	DFENC3	DFENC2	DFENC1	DFENC0
R/W	R/W	R/W	R/W	R/W	R/W	R/W	R/W

**Table 2-69 DFEN0 register contents**

Bit position	Bit name	Function
15 to 0	DFENC[15:0]	Enables/disables the digital noise elimination filter for the corresponding input signal: 0: Digital filter is disabled. 1: Digital filter is enabled. For an assignment of bit positions to input signals see table <i>Table 2-70</i> .

**Table 2-70 Assignment of input signals to bit positions for register DFEN0**

Bit position	Bit name	Input signal	Description
0	DFENC0	SIB0	CSIB0 data input <sup>a</sup>
1	DFENC1	SIB1	CSIB1 data input <sup>a</sup>
2	DFENC2	SIB2	CSIB2 data input <sup>a b</sup>
3	DFENC3	SCKIB0	CSIB0 clock input <sup>a</sup>
4	DFENC4	SCKIB1	CSIB1 clock input <sup>a-</sup>
5	DFENC5	SCKIB2	CSIB2 clock input <sup>a b</sup>
6	DFENC6	TIP00	Timer TMP0 channel 0 capture input
7	DFENC7	TIP01	Timer TMP0 channel 1 capture input
8	DFENC8	TIP10	Timer TMP1 channel 0 capture input
9	DFENC9	TIP11	Timer TMP1 channel 1 capture input
10	DFENC10	TIP20	Timer TMP2 channel 0 capture input
11	DFENC11	TIP21	Timer TMP2 channel 1 capture input
12	DFENC12	TIP30	Timer TMP3 channel 0 capture input
13	DFENC13	TIP31	Timer TMP3 channel 1 capture input
14	DFENC14	TIG01	Timer TMG0 channel 1 capture input
15	DFENC15	TIG02	Timer TMG0 channel 2 capture input

a) Note that the digital filter should be disabled for high clock rates of the clocked serial interface. Otherwise, desired input pulses may be suspended by the digital filter.

b)  $\mu$ PD70F3424,  $\mu$ PD70F3425,  $\mu$ PD70F3426A,  $\mu$ PD70F3427 only



**(2) DFEN1 - Digital filter enable register**

The 16-bit DFEN1 register enables/disables the digital filter for TMG0 to TMG2 and TMP0 to TMP1 input channels.

**Access** This register can be read/written in 16-bit, 8-bit and 1-bit units.

**Address** FFFF F712<sub>H</sub>

**Initial Value** 0000<sub>H</sub>. This register is cleared by any reset.

15	14	13	12	11	10	9	8
X	X	X	X	DFENC27	DFENC26	DFENC25	DFENC24
R/W	R/W	R/W	R/W	R/W	R/W	R/W	R/W
7	6	5	4	3	2	1	0
DFENC23	DFENC22	DFENC21	DFENC20	DFENC19	DFENC18	DFENC17	DFENC16
R/W	R/W	R/W	R/W	R/W	R/W	R/W	R/W

**Table 2-71 DFEN1 register contents**

Bit position	Bit name	Function
11 to 0	DFENC[27:16]	Enables/disables the digital noise elimination filter for the corresponding input signal: 0: Digital filter is disabled. 1: Digital filter is enabled. For an assignment of bit positions to input signals see table <i>Table 2-72</i> .

**Table 2-72 Assignment of input signals to bit positions for register DFEN1**

Bit position	Bit name	Input signal	Description
0	DFENC16	TIG03	Timer TMG0 channel 3 capture input
1	DFENC17	TIG04	Timer TMG0 channel 4 capture input
2	DFENC18	TIG11	Timer TMG1 channel 1 capture input
3	DFENC19	TIG12	Timer TMG1 channel 2 capture input
4	DFENC20	TIG13	Timer TMG1 channel 3 capture input
5	DFENC21	TIG14	Timer TMG1 channel 4 capture input
6	DFENC22	TIP00/TIG20	shared input: Timer TMP0 channel 0 capture input / Timer TMG2 channel 0 capture input
7	DFENC23	TIG21	Timer TMG2 channel 1 capture input
8	DFENC24	TIG22	Timer TMG2 channel 2 capture input
9	DFENC25	TIG23	Timer TMG2 channel 3 capture input
10	DFENC26	TIG24	Timer TMG2 channel 4 capture input
11	DFENC27	TIP10/TTIG25	shared input: Timer TMP1 channel 0 capture input/ Timer TMG2 channel 5 capture input

## 2.6 Pin Functions in Reset and Power Save Modes

The following table summarizes the status of the pins during reset and power save modes and after release of these operating states in normal operation mode, i.e. = 0.

The reset source makes a difference concerning the N-Wire debugger interface pins  $\overline{\text{DRST}}$ , DDI, DDO, DCK and DMS after reset release. An external  $\overline{\text{RESET}}$  or an internal Power-on-clear switches all pins to input port mode, while all other internal reset sources make the pins available for the debugger.

In contrast to all other power save modes the HALT mode suspends only the CPU operation and has no effect on any pin status.

Table 2-73 Pin functions during and after reset / power save modes

Operating status		Pin status
Power-On-Clear	during	<ul style="list-style-type: none"> <li>P05/<math>\overline{\text{DRST}}</math>: P05 port input with internal pull-down resistor</li> <li>all other pins: Hi-Z (3-state)</li> </ul>
	after	<ul style="list-style-type: none"> <li>all ports Pnm: input port mode</li> <li>A[23:0], D[15:0], <math>\overline{\text{BE}}</math>[1:0], <math>\overline{\text{RD}}</math>, <math>\overline{\text{WR}}</math>, <math>\overline{\text{WAIT}}</math>: input</li> </ul>
external $\overline{\text{RESET}}$	during	<ul style="list-style-type: none"> <li>P05/<math>\overline{\text{DRST}}</math>: P05 port input with internal pull-down resistor</li> <li>all other pins: Hi-Z (3-state)</li> </ul>
	after	<ul style="list-style-type: none"> <li>P05/<math>\overline{\text{DRST}}</math>: <math>\overline{\text{DRST}}</math> input with internal pull-down resistor</li> <li>P52/DDI, P54/DCK, P55/DMS: DDI, DCK, DMS inputs</li> <li>P53/DDO: DDO output</li> <li>all ports Pnm: input port mode</li> <li>A[23:0], D[15:0], <math>\overline{\text{BE}}</math>[1:0], <math>\overline{\text{RD}}</math>, <math>\overline{\text{WR}}</math>, <math>\overline{\text{WAIT}}</math>: input</li> </ul>
all other reset sources	during	<ul style="list-style-type: none"> <li>P05/<math>\overline{\text{DRST}}</math>: P05 port input with internal pull-down resistor</li> <li>all other pins: Hi-Z (3-state)</li> </ul>
	after	<ul style="list-style-type: none"> <li>P05/<math>\overline{\text{DRST}}</math>, P52/DDI, P54/DCK, P55/DMS, P53/DDO: no change. same function as before reset</li> <li>all ports Pnm: input port mode</li> <li>A[23:0], D[15:0], <math>\overline{\text{BE}}</math>[1:0], <math>\overline{\text{RD}}</math>, <math>\overline{\text{WR}}</math>, <math>\overline{\text{WAIT}}</math>: input</li> </ul>
HALT mode	during	same as before HALT mode
	after	
IDLE, WATCH, Sub-WATCH, STOP mode	during	same as before power save mode: <ul style="list-style-type: none"> <li>Output signals are valid and output levels are remained.</li> <li>Input signals with wake-up capability<sup>a</sup> are valid.</li> <li>Input signals without wake-up capability are ignored.</li> </ul>
	after	same as before power save mode

a) Inputs with wake-up capability: external interrupts (INTP0 to INTP7, NMI) and CAN receive data (CRXD0, CRXD1)

**Note** For information about the status of the external memory I/F pins refer to *Chapter 7 on page 255*.

If flash programming mode is enabled by FLMD0 = 1, P07 is used as FLMD1 pin in input port mode during and after reset.

## 2.7 Recommended Connection of unused Pins

If a pin is not used, it is recommended to connect it as follows:

- output pins: leave open
- input pins: connect to  $V_{DD5}$  or  $V_{SS5}$

**Sub oscillator connection** If no sub oscillator crystal is connected, connect XT1 to  $V_{SS}$  and leave XT2 open.

**$\mu$ PD70F3427 memory interface** If the external memory interface of the  $\mu$ PD70F3427 is not used connect the pins D[15:0] via pull-up or pull-down resistors to  $MV_{DD5n}$  respectively  $MV_{SS5n}$ .

---

**Caution** Note that the  $\overline{\text{WAIT}}$  pin must be connected to  $MV_{DD5n}$  via a pull-up resistor in any case, also if the memory interface is used.

---

**Note** If the overall maximum output current of a concerned pin group exceeds its maximum value the output buffer can be damaged. A placement of a series resistor to prevent damage in case of accidentally enabled outputs is recommended. Refer to the absolute maximum rating parameter in the Data Sheet.

## 2.8 Package Pins Assignment

The following sections show the location of pins in top view. Every pin is labelled with its pin number and all possible pin names.

### 2.8.1 $\mu$ PD70F3421, $\mu$ PD70F3422, $\mu$ PD70F3423

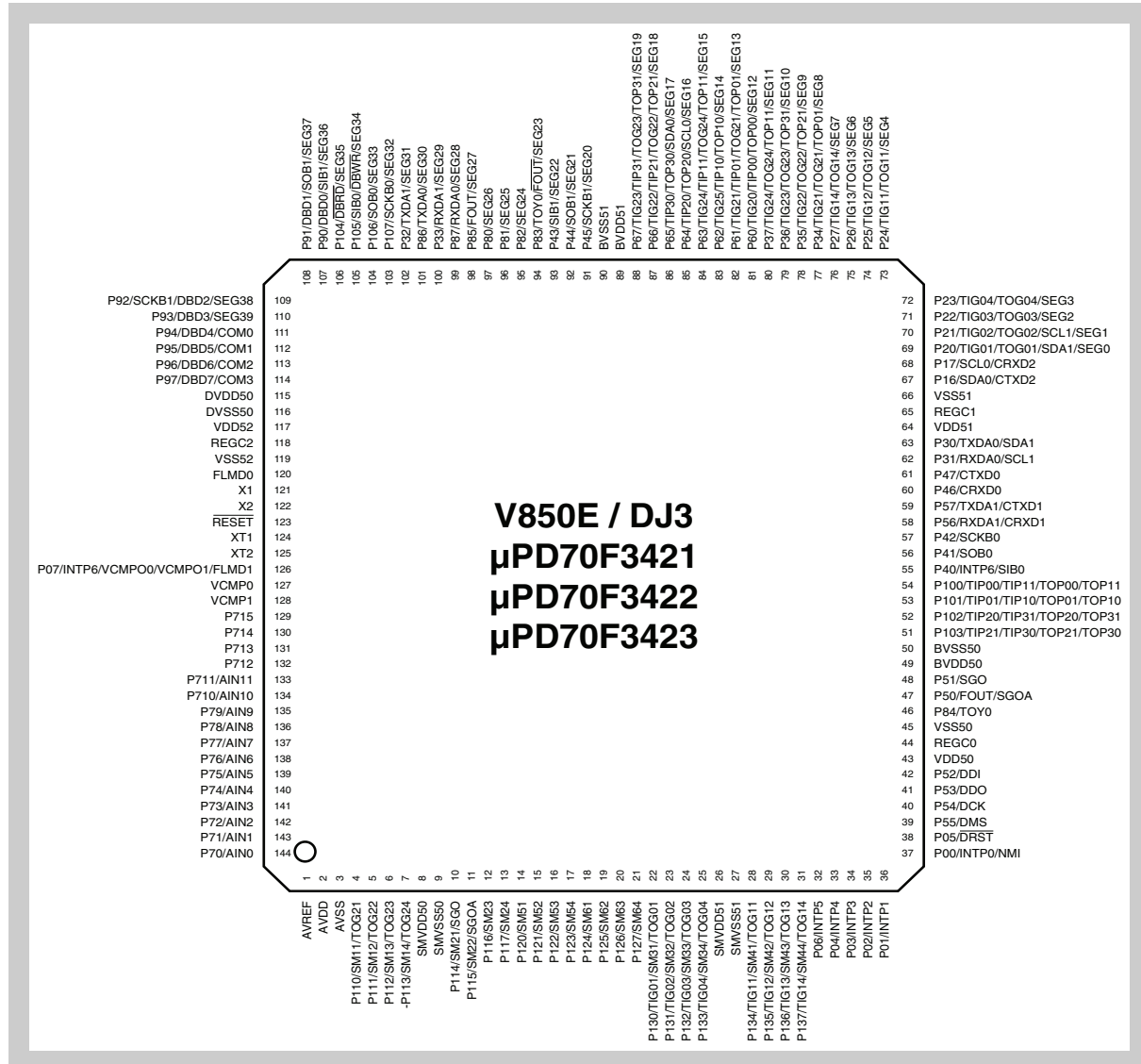


Figure 2-7 Pin overview of  $\mu$ PD70F3421,  $\mu$ PD70F3422,  $\mu$ PD70F3423

### 2.8.2 $\mu$ PD70F3424, $\mu$ PD70F3425, $\mu$ PD70F3426A

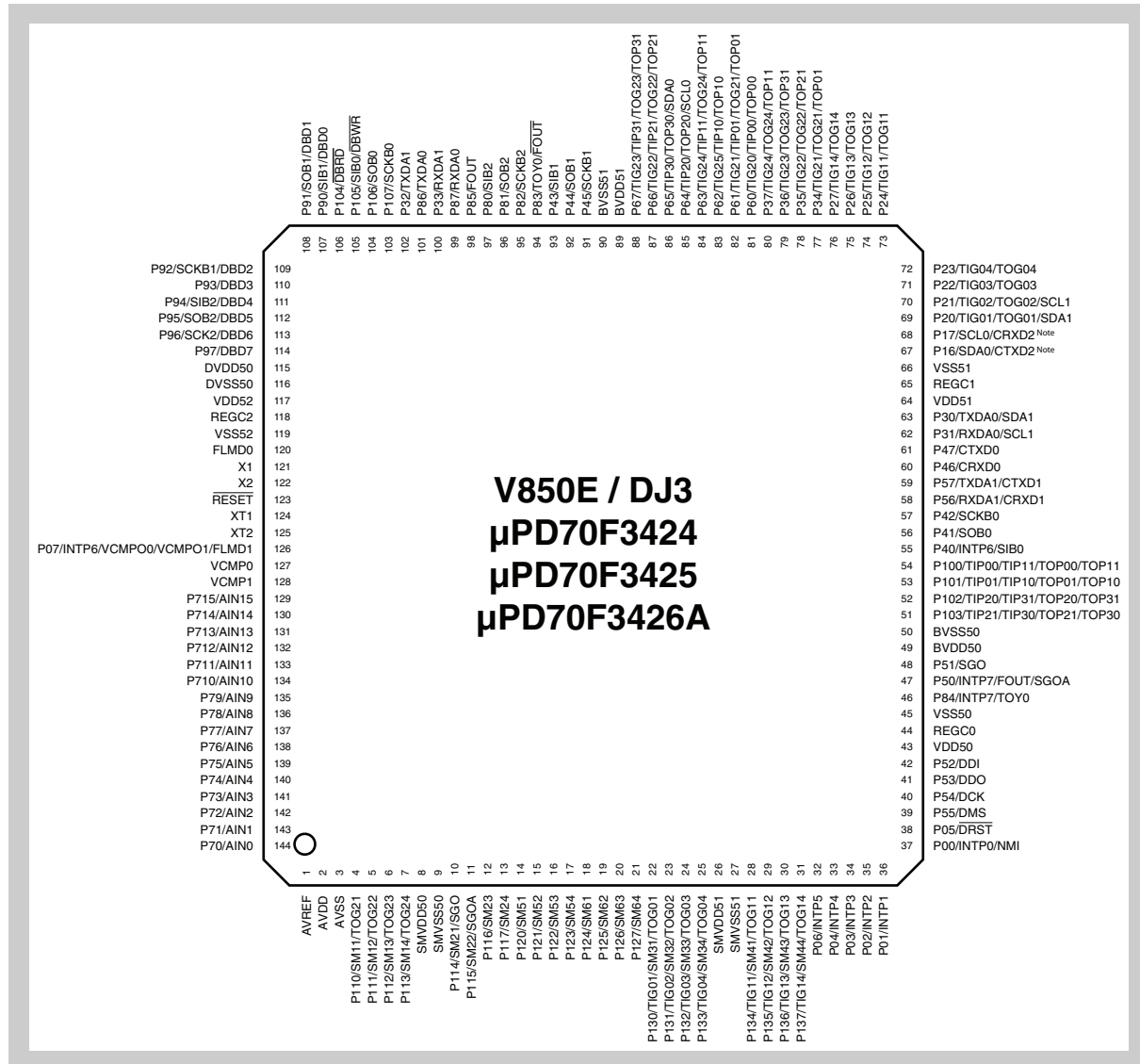


Figure 2-8 Pin overview of  $\mu$ PD70F3424,  $\mu$ PD70F3425,  $\mu$ PD70F3426A

**Note** CRXD2, CTXD2 not available on  $\mu$ PD70F3426A

### 2.8.3 $\mu$ PD70F3427

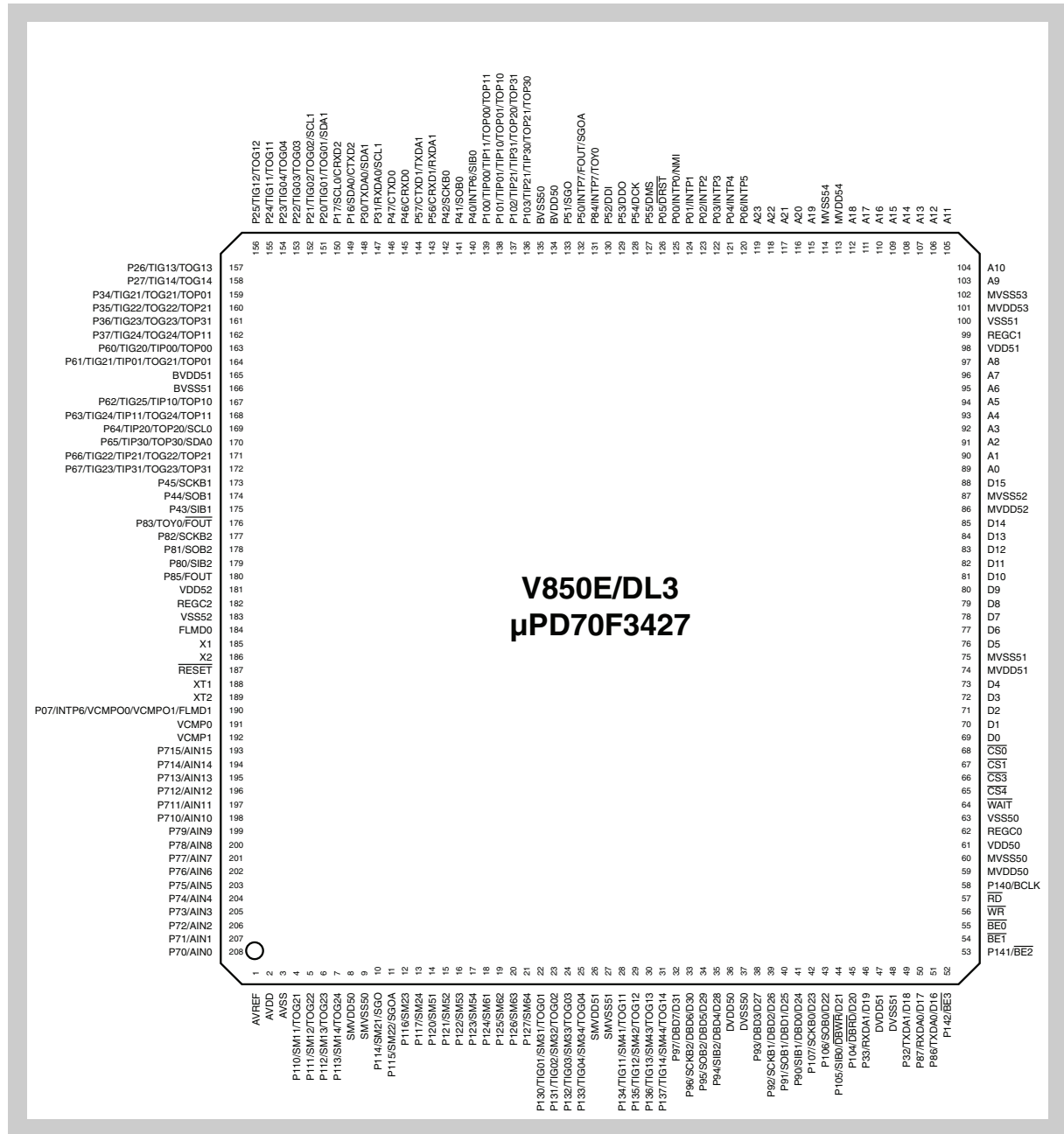


Figure 2-9 Pin overview of  $\mu$ PD70F3427

# Chapter 3 CPU System Functions

This chapter describes the registers of the CPU, the operation modes, the address space and the memory areas.

## 3.1 Overview

The CPU is founded on Harvard architecture and it supports a RISC instruction set. Basic instructions can be executed in one clock period. Optimized five-stage pipelining is supported. This improves instruction execution speed.

In order to make the microcontroller ideal for use in digital control applications, a 32-bit hardware multiplier enables this CPU to support multiply instructions, saturated multiply instructions, bit operation instructions, etc.

**Features summary** The CPU has the following special features:

- Memory space:
  - 64 MB linear program space
  - 4 GB linear data space
- 32 general purpose registers
- Internal 32-bit architecture
- Five-stage pipeline
- Efficient multiplication and division instructions
- Saturation logic (saturated operation instructions)
- Barrel shifter (32-bit shift in one clock cycle)
- Instruction formats: long and short
- Four types of bit manipulation instructions: set, clear, not, test

### 3.1.1 Description

The figure below shows a block diagram of the microcontroller, focusing on the CPU and modules that interact with the CPU directly. *Table 3-1* lists the bus types.

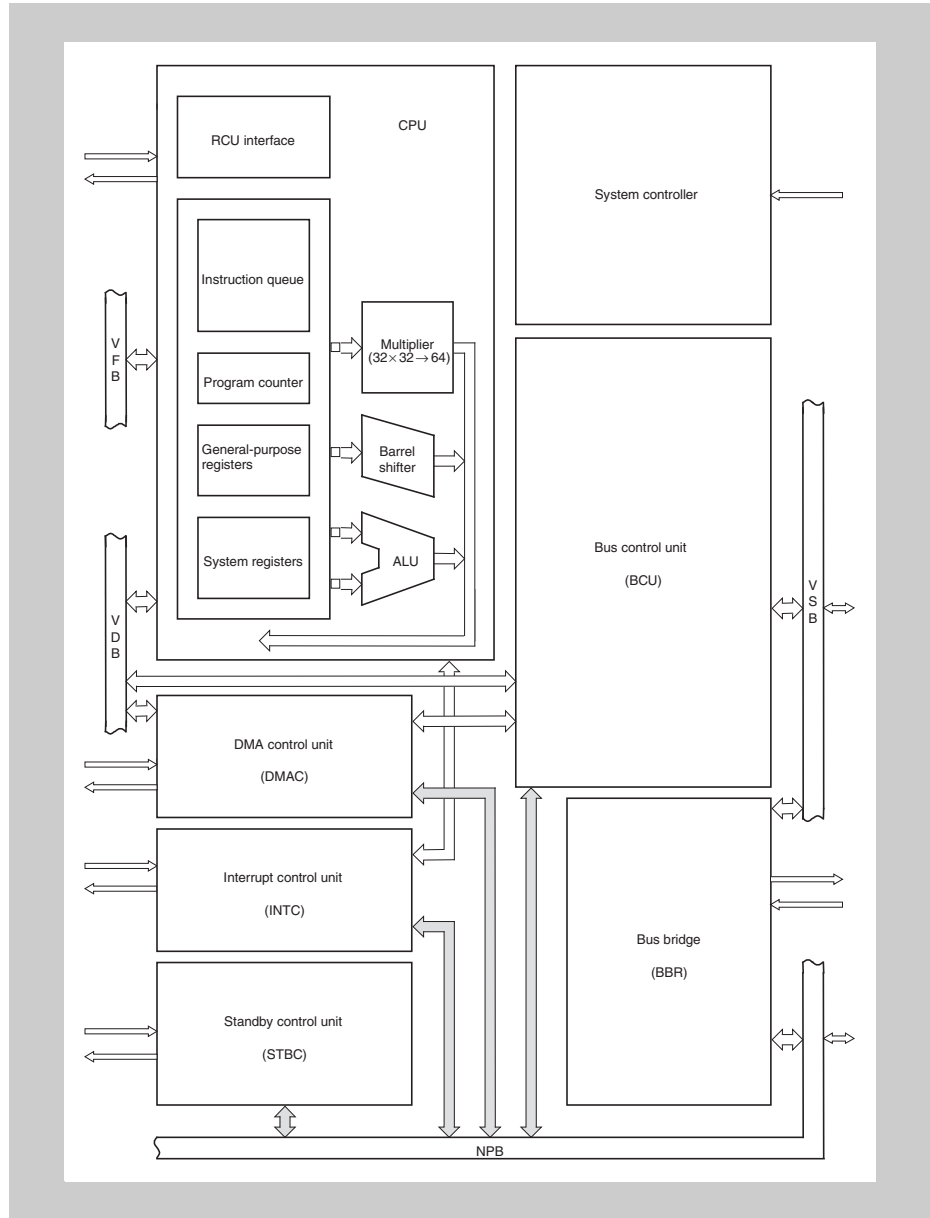


Figure 3-1 CPU system

The shaded busses are used for accessing the configuration registers of the concerned modules.

Table 3-1 Bus types

www.DataSheet4U.com

Bus type	Function
NPB – NEC Peripheral Bus	Bus interface to the peripherals (internal bus).



Table 3-1 Bus types

Bus type	Function
VSB – V850 System Bus	Bus interface to the Memory Controller for access to external memory, additional internal memory and to the NPB bus bridge BBR.
VFB – V850 Fetch Bus	Interface to the internal flash.
VDB – V850 Data Bus	Interface to the internal RAM.

### 3.2 CPU Register Set

There are two categories of registers:

- General purpose registers
- System registers

All registers are 32-bit registers. An overview is given in the figure below. For details, refer to V850E1 User’s Manual Architecture.

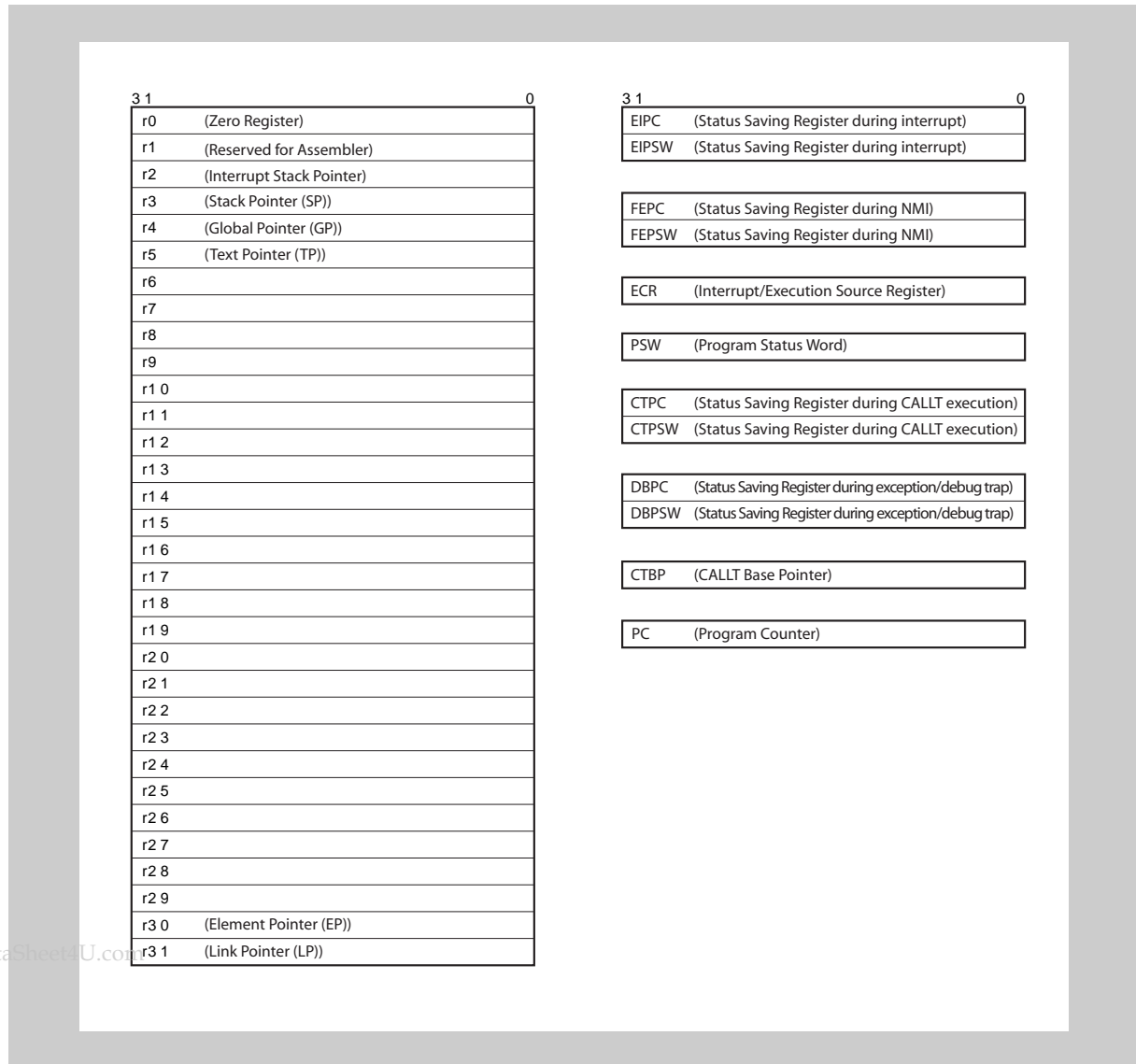


Figure 3-2 CPU register set

Some registers are write protected. That means, writing to those registers is protected by a special sequence of instructions. Refer to *“Write Protected Registers”* on page 135 for more details.

### 3.2.1 General purpose registers (r0 to r31)

Each of the 32 general purpose registers can be used as a data variable or address variable.

However, the registers r0, r1, r3 to r5, r30, and r31 may implicitly be used by the assembler/compiler (see table *Table 3-2*). For details refer to the documentation of your assembler/compiler.

**Table 3-2** General purpose registers

Register name	Usage	Operation
r0	Zero register	Always holds 0. It is used for operations using 0 and offset 0 addressing. <sup>a</sup>
r1	Assembler-reserved register	Used for 32-bit direct addressing. <sup>b</sup>
r2	User address/data variable register	
r3	Stack pointer (SP)	Used to generate stack frame when function is called. <sup>b</sup>
r4	Global pointer (GP)	Used to access global variable in data area. <sup>b</sup>
r5	Text pointer (TP)	Used to indicate the start of the text area (where program code is located). <sup>b</sup>
r6 to r29	User address/data variable registers	
r30	Element pointer (EP)	Base pointer when memory is accessed by means of instructions SLD (short format load) and SST (short format store). <sup>a</sup>
r31	Link pointer (LP)	Used when calling a function. <sup>b</sup>

a) Registers r0 and r30 are used by dedicated instructions.

b) Registers r1, r3, r4, r5, and r31 may be used by the assembler/compiler.

---

**Caution** Before using registers r1, r3 to r5, r30, and r31, their contents must be saved so that they are not lost. The contents must be restored to the registers after the registers have been used.

---

### 3.2.2 System register set

System registers control the status of the CPU and hold interrupt information. Additionally, the program counter holds the instruction address during program execution.

To read/write the system registers, use instructions LDSR (load to system register) or STSR (store contents of system register), respectively, with a specific system register number (regID) indicated below.

The program counter states an exception. It cannot be accessed via LDSR or STSR instructions. No regID is allocated to the program counter.

**Example** STSR 0, r2

Stores the contents of system register 0 (EIPC) in general purpose register r2.

**System register numbers** The table below gives an overview of all system registers and their system register number (regID). It shows whether a load/store instruction is allowed (x) for the register or not (-).

**Table 3-3 System register numbers**

regID	System register name	Shortcut	Operand specification	
			LDSR	STSR
0	Status saving register during interrupt (stores contents of PC)	EIPC	x	x
1	Status saving register during interrupt (stores contents of PSW)	EIPSW	x	x
2	Status saving register during non-maskable interrupts (stores contents of PC)	FEPC	x	x
3	Status saving register during non-maskable interrupts (stores contents of PSW)	FEPSW	x	x
4	Interrupt source register	ECR	-	x
5	Program status word	PSW	x	x
6 to 15	Reserved (operations that access these register numbers cannot be guaranteed).		-	-
16	Status saving register during CALLT execution (stores contents of PC)	CTPC	x	x
17	Status saving register during CALLT execution (stores contents of PSW)	CTPSW	x	x
18	Status saving register during exception/debug trap (stores contents of PC)	DBPC	x <sup>a</sup>	x
19	Status saving register during exception/debug trap (stores contents of PSW)	DBPSW	x <sup>a</sup>	x
20	CALLT base pointer	CTBP	x	x
21 to 31	Reserved (operations that access these register numbers cannot be guaranteed).		-	-

<sup>a)</sup> Reading from this register is only enabled between a DBTRAP exception (exception handler address 0000 0060<sub>H</sub>) and the exception handler terminating DBRET instruction. DBTRAP exceptions are generated upon ILGOP and ROM Correction detections (refer to "Interrupt Controller (INTC)" on page 201 and "ROM Correction Function (ROMC)" on page 375).

**(1) PC - Program counter**

The program counter holds the instruction address during program execution. The lower 26 bits are valid, and bits 31 to 26 are fixed to 0. If a carry occurs from bit 25 to 26, it is ignored. Branching to an odd address cannot be performed. Bit 0 is fixed to 0.

**Access** This register can not be accessed by any instruction.

**Initial Value** 0000 0000<sub>H</sub>. The program counter is cleared by any reset.

31	26	25	1	0
fixed to 0			instruction address during execution	
			0	0

**(2) EIPC, FEPC, DBPC, CTPC - PC saving registers**

The PC saving registers save the contents of the program counter for different occasions, see *Table 3-4*.

When one of the occasions listed in *Table 3-4* occurs, except for some instructions, the address of the instruction following the one being executed is saved to the saving registers.

For more details refer to *Table 3-9 on page 123* and to the “*Interrupt Controller (INTC)*” on page 201.

All PC saving registers are built up as the PC, with the initial value 0xxx xxxx<sub>H</sub> (x = undefined).

**Table 3-4 PC saving registers**

Register	Shortcut	Saves contents of PC in case of
Status saving register during interrupt	EIPC	<ul style="list-style-type: none"> <li>software exception</li> <li>maskable interrupt</li> </ul>
Status saving register during non-maskable interrupts	FEPC	<ul style="list-style-type: none"> <li>non-maskable interrupt</li> </ul>
Status saving register during exception/debug trap	DBPC <sup>a</sup>	<ul style="list-style-type: none"> <li>exception trap</li> <li>debug trap</li> <li>debug break</li> <li>during a single-step operation</li> </ul>
Status saving register during CALLT execution	CTPC	<ul style="list-style-type: none"> <li>execution of CALLT instruction</li> </ul>

<sup>a)</sup> Reading from this register is only enabled between a DBTRAP exception (exception handler address 0000 0060<sub>H</sub>) and the exception handler terminating DBRET instruction. DBTRAP exceptions are generated upon ILGOP and ROM Correction detections (refer to “*Interrupt Controller (INTC)*” on page 201 and “*ROM Correction Function (ROMC)*” on page 375).

**Note** When multiple interrupt servicing is enabled, the contents of EIPC or FEPC must be saved by program—because only one PC saving register for maskable interrupts and non-maskable interrupts is provided, respectively.

**Caution** When setting the value of any of the PC saving registers, use even values (bit 0 = 0). If bit 0 is set to 1, the setting of this bit is ignored. This is because bit 0 of the program counter is fixed to 0.

**(3) PSW - Program status word**

The 32-bit program status word is a collection of flags that indicates the status of the program (result of instruction execution) and the status of the CPU.

If the bits in the register are modified by the LDSR instruction, the PSW will take on the new value immediately after the LDSR instruction has been executed.

**Initial Value** 0000 0020<sub>H</sub>. The program status is initialized by any reset.

31	8	7	6	5	4	3	2	1	0
fixed to 0	NP	EP	ID	SAT	CY	OV	S	Z	
R	R	R/W	R/W	R/W	R/W	R/W	R/W	R/W	R/W

**Table 3-5 PSW register contents**

Bit position	Flag	Function
7	NP	Indicates that non-maskable interrupt (NMI) servicing is in progress. This flag is set when NMI request is acknowledged, and multiple interrupt servicing is disabled. 0: NMI servicing is not in progress. 1: NMI servicing is in progress.
6	EP	Indicates that exception processing is in progress. This flag is set when an exception occurs. Even when this bit is set, interrupt requests can be acknowledged. 0: Exception processing is not in progress. 1: Exception processing is in progress.
5	ID	Indicates whether a maskable interrupt request can be acknowledged. 0: Interrupts enabled. 1: Interrupts disabled. <b>Note:</b> Setting this flag will disable interrupt requests even while the LDSR instruction is being executed.
4	SAT <sup>a</sup>	For saturated operation processing instructions only: Indicates that the operation result is saturated due to overflow. 0: Not saturated. 1: Saturated. <b>Note:</b> 1. This is a cumulative flag: The bit is not automatically cleared if subsequent instructions lead to not saturated results. To clear this bit, use the LDSR instruction to set PSW.SAT = 0. 2. In a general arithmetic operation this bit is neglected. It is neither set nor cleared.
3	CY	Carry/borrow flag. Indicates whether a carry or borrow occurred as a result of the operation. 0: Carry or borrow did not occur 1: Carry or borrow occurred.
2	OV <sup>a</sup>	Overflow flag. Indicates whether an overflow occurred as a result of the operation. 0: Overflow did not occur. 1: Overflow occurred.
1	S <sup>a</sup>	Sign flag. Indicates whether the result of the operation is negative. 0: Result is positive or zero. 1: Result is negative.
0	Z	Zero flag. Indicates whether the result of the operation is zero. 0: Result is not zero. 1: Result is zero.

- a) In the case of saturate instructions, the SAT, S, and OV flags will be set according to the result of the operation as shown in the table below. Note that the SAT flag is set only when the OV flag has been set during a saturated operation.

**Saturated operation instructions** The following table shows the setting of flags PWS.SAT, PWS.OV, and PWS.S, depending on the status of the operation result.

**Table 3-6 Saturation-processed operation result**

Status of operation result	Flag status			Saturation-processed operation result
	SAT	OV	S	
Maximum positive value exceeded	1	1	0	7FFF FFFF <sub>H</sub>
Maximum negative value exceeded	1	1	1	8000 0000 <sub>H</sub>
Positive (maximum not exceeded)	x <sup>a</sup>	0	0	Operation result itself
Negative (maximum not exceeded)			1	

a) Retains the value before operation.

**(4) EIPSW, FEPSW, DBPSW, CTPSWPSW saving registers**

The PSW saving registers save the contents of the program status word for different occasions, see *Table 3-4*.

When one of the occasions listed in *Table 3-4* occurs, the current value of the PSW is saved to the saving registers.

All PSW saving registers are built up as the PSW, with the initial value 0000 0xxx<sub>H</sub> (x = undefined).

**Table 3-7 PSW saving registers**

Register	Shortcut	Saves contents of PSW in case of
Status saving register during interrupt	EIPSW	<ul style="list-style-type: none"> <li>software exception</li> <li>maskable interrupt</li> </ul>
Status saving register during non-maskable interrupts	FEPSW	<ul style="list-style-type: none"> <li>non-maskable interrupt</li> </ul>
Status saving register during exception/debug trap	DBPSW <sup>a</sup>	<ul style="list-style-type: none"> <li>exception trap</li> <li>debug trap</li> <li>debug break</li> <li>during a single-step operation</li> </ul>
Status saving register during CALLT execution	CTPSW	<ul style="list-style-type: none"> <li>execution of CALLT instruction</li> </ul>

<sup>a)</sup> Reading from this register is only enabled between a DBTRAP exception (exception handler address 0000 0060<sub>H</sub>) and the exception handler terminating DBRET instruction. DBTRAP exceptions are generated upon ILGOP and ROM Correction detections (refer to “*Interrupt Controller (INTC)*” on page 201 and “*ROM Correction Function (ROMC)*” on page 375).

**Note** When multiple interrupt servicing is enabled, the contents of EIPSW or FEPSW must be saved by program—because only one PSW saving register for maskable interrupts and non-maskable interrupts is provided, respectively.

**Caution** Bits 31 to 26 of EIPC and bits 31 to 12 and 10 to 8 of EIPSW are reserved for future function expansion (fixed to 0). When setting the value of EIPC, FEPC, or CTPC, use even values (bit 0 = 0). If bit 0 is set to 1, the setting of this bit is ignored. This is because bit 0 of the program counter is fixed to 0.



**(5) ECR - Interrupt/exception source register**

The 32-bit ECR register displays the exception codes if an exception or an interrupt has occurred. With the exception code, the interrupt/exception source can be identified.

For a list of interrupts/exceptions and corresponding exception codes, see *Table 3-9 on page 123*.

**Initial Value** 0000 0000<sub>H</sub>. This register is cleared by any reset.

31	26 25	0
FECC	EICC	

**Table 3-8 ECR register contents**

Bit position	Bit name	Function
31 to 16	FECC	Exception code of non-maskable interrupt (NMI)
15 to 0	EICC	Exception code of exception or maskable interrupts

The following table lists the exception codes.

**Table 3-9 Interrupt/execution codes**

Interrupt/Exception Source		Classification	Exception Code	Handler Address	Value restored to EIPC/FEPC
Name	Trigger				
Non-maskable interrupts (NMI)	NMI0 input	Interrupt	0010 <sub>H</sub>	0000 0010 <sub>H</sub>	next PC (see Note)
	NMI1 input	Interrupt	0020 <sub>H</sub>	0000 0020 <sub>H</sub>	next PC (see Note)
	NMI2 input	Interrupt	0030 <sub>H</sub>	0000 0030 <sub>H</sub>	next PC (see Note)
Maskable interrupt	refer to "Interrupt Controller (INTC)" on page 201	Interrupt	refer to "Interrupt Controller (INTC)" on page 201	<ul style="list-style-type: none"> <li>higher 16 bits: 0000<sub>H</sub></li> <li>lower 16 bits: exception code</li> </ul>	next PC (see Note)
Software exception	TRAP0 <sub>n</sub> (n = 0 to F <sub>H</sub> )	TRAP instruction	004 <sub>n</sub> <sub>H</sub>	0000 0040 <sub>H</sub>	next PC
	TRAP1 <sub>n</sub> (n = 0 to F <sub>H</sub> )	TRAP instruction	005 <sub>n</sub> <sub>H</sub>	0000 0050 <sub>H</sub>	next PC
Exception trap (ILGOP)	Illegal instruction code	Exception	0060 <sub>H</sub>	0000 0060 <sub>H</sub>	next PC
Debug trap	DBTRAP instruction	Exception	0060 <sub>H</sub>	0000 0060 <sub>H</sub>	next PC

If an interrupt (maskable or non-maskable) is acknowledged during instruction execution, generally, the address of the instruction *following* the one being executed is saved to the saving registers, except when an interrupt is acknowledged during execution of one of the following instructions:

- load instructions (SLD.B, SLD.BU, SLD.H, SLD.HU, SLD.W)
- divide instructions (DIV, DIVH, DIVU, DIVHU)

- PREPARE, DISPOSE instruction (only if an interrupt is generated before the stack pointer is updated)

In this case, the address of the *interrupted* instruction is restored to the EIPC or FEPC, respectively. Execution is stopped, and after the completion of interrupt servicing the execution is resumed.

#### (6) CTBP - CALLT base pointer

The 32-bit CALLT base pointer is used with the CALLT instruction. The register content is used as a base address to generate both a 32-bit table entry address and a 32-bit target address.

Initial Value Undefined

31	30	29	28	27	26	25					1	0
0	0	0	0	0	0	base address					0	0
R <sup>a</sup>	R <sup>a</sup>	R <sup>a</sup>	R <sup>a</sup>	R <sup>a</sup>	R <sup>a</sup>	R/W					R	R

a) These bits may be written, but write is ignored.

### 3.3 Operation Modes

This section describes the operation modes of the CPU and how the modes are specified.

The following operation modes are available:

- Normal operation mode
- Flash programming mode

After reset release, the microcontroller starts to fetch instructions from an internal boot ROM which contains the internal firmware. The firmware checks the FLMD0 pin, and optionally also the FLMD1 pin, to set the operation mode after reset release according to *Table 3-10*.

**Table 3-10** Selection of operation modes

Pins		Operation Mode
FLMD0	FLMD1 (P07)	
0	X	Normal operation mode (fetch from flash)
1	0	Flash programming mode
	1	Setting prohibited

**Note** The FLMD1 pin function is shared with the P07 pin.

#### 3.3.1 Normal operation mode

In normal operation mode, the internal flash memory is not re-programmed.

After reset release, the firmware acquires the user's reset vector from the flash memory. The reset vector contains the start address of the user's program code. The firmware branches to that address. Program execution is started.

### 3.3.2 Flash programming mode

In flash programming mode, the internal flash memory is erased and re-programmed.

After reset release, the firmware initiates loading of the user's program code from the external flash programmer and programs the flash memory.

After detaching the external flash programmer, the microcontroller can be started up with the new user's program in normal operation mode.

For more information see section “Flash Memory” on page 269.

## 3.4 Address Space

In the following sections, the address space of the CPU is explained. Size and addresses of CPU address space and physical address space are explained. The address range of data space and program space together with their wrap-around properties are presented.

### 3.4.1 CPU address space and physical address space

The CPU supports the following address space:

- 4 GB CPU address space  
With the 32-bit general purpose registers, addresses for a 4 GB memory can be generated. This is the maximum address space supported by the CPU.
- 64 MB physical address space  
The CPU provides 64 MB physical address space. That means that a maximum of 64 MB internal or external memory can be accessed.

Any 32-bit address is translated to its corresponding physical address by ignoring bits 31 to 26 of the address. Thus, 64 addresses point to the same physical memory address. In other words, data at the physical address 0000 0000<sub>H</sub> can additionally be accessed by addresses 0400 0000<sub>H</sub>, 0800 0000<sub>H</sub>, ..., F800 0000<sub>H</sub>, or FC00 0000<sub>H</sub>.

The 64 MB physical address space is seen as 64 images in the 4 GB CPU address space:

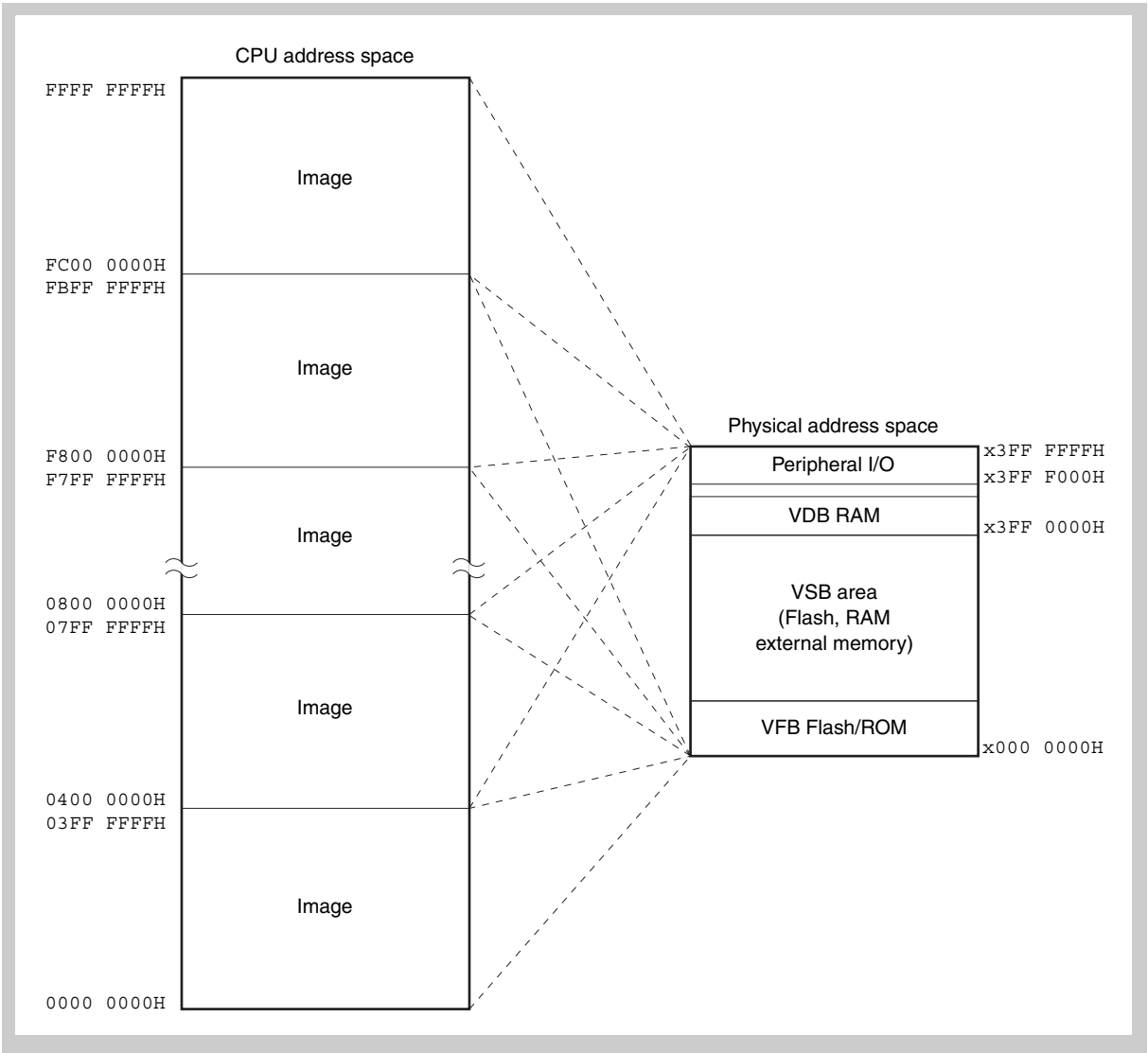


Figure 3-3 Images in the CPU address space

### 3.4.2 Program and data space

The CPU allows the following assignment of data and instructions to the CPU address space:

- 4 GB as data space  
The entire CPU address space can be used for operand addresses.
- 64 MB as program space  
Only the lower 64 MB of the CPU address space can be used for instruction addresses. When an instruction address for a branch instruction is calculated and moved to the program counter (PC), then bits 31 to 26 are set to zero.

Figure 3-4 shows the assignment of the CPU address space to data and program space.

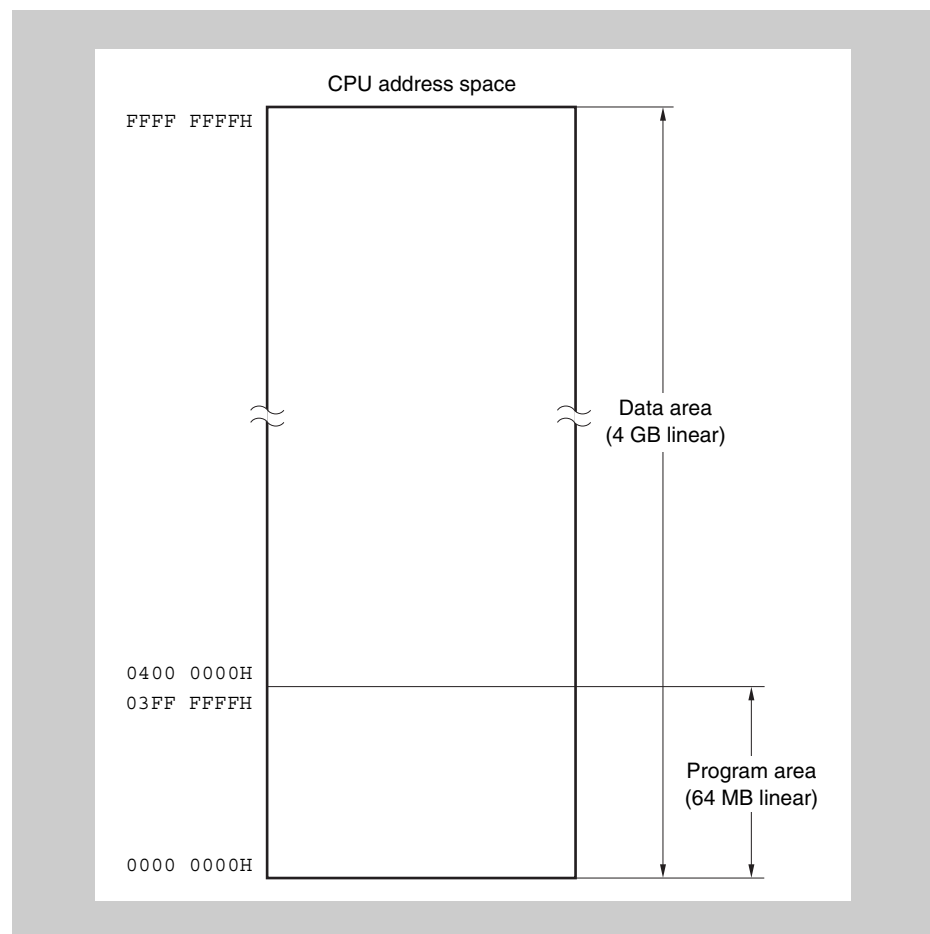


Figure 3-4 CPU address space

(1) **Wrap-around of data space**

If an operand address calculation exceeds 32 bits, only the lower 32 bits of the result are considered. Therefore, the addresses 0000 0000<sub>H</sub> and FFFF FFFF<sub>H</sub> are contiguous addresses. This results in a wrap-around of the data space:

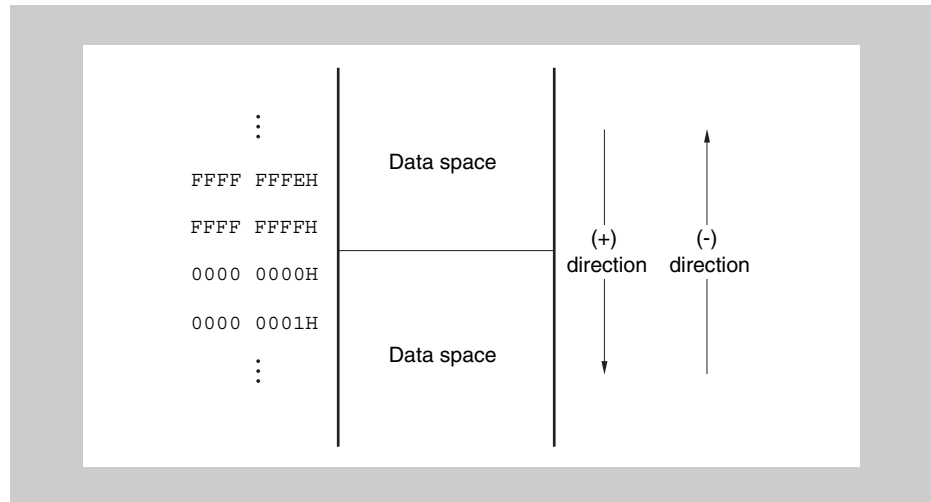


Figure 3-5 Wrap-around of data space

(2) **Wrap-around of program space**

If an instruction address calculation exceeds 26 bits, only the lower 26 bits of the result are considered. Therefore, the addresses 0000 0000<sub>H</sub> and 03FF FFFF<sub>H</sub> are contiguous addresses. This results in a wrap-around of the program space:

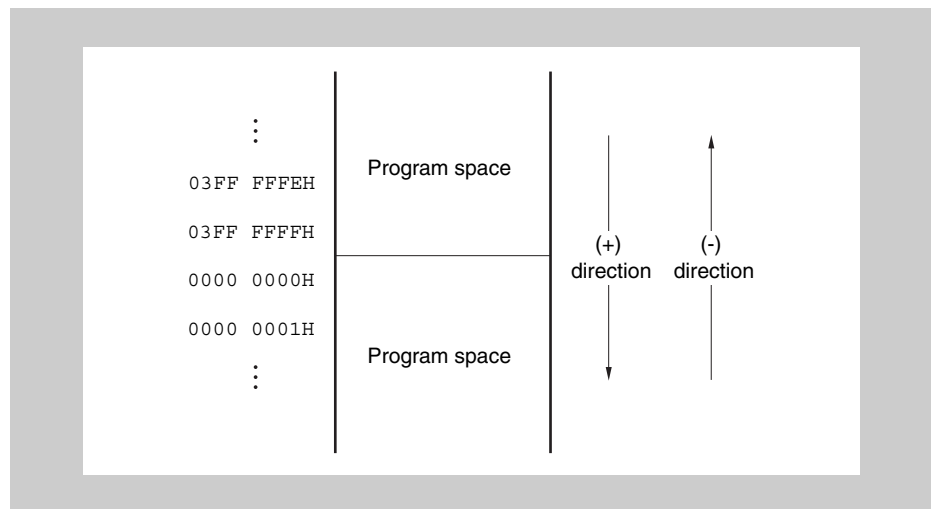


Figure 3-6 Wrap-around of program space

www.DataSheet4U.com

**Caution** No instruction can be fetched from the 4 KB area of 03FF F000<sub>H</sub> to 03FF FFFF<sub>H</sub> because this area is defined as peripheral I/O area. Therefore, do not execute any branch to this area.

## 3.5 Memory

In the following sections, the memory of the CPU is introduced. Specific memory areas are described and a recommendation for the usage of the address space is given.

### 3.5.1 Memory areas

The internal memory of the CPU provides several areas:

- Internal VFB flash area
- Internal VDB RAM area
- Internal VSB flash area
- Internal VSB RAM area
- External memory area
- Internal fixed peripheral I/O area
- Programmable peripheral I/O area

The areas are briefly described below.

#### (1) Internal VFB flash areas

Table 3-11 summarizes the size and addresses of the flash memories, which are accessible via the VFB (V850 Fetch Bus).

Table 3-11 VFB flash memory

Device	Flash	Address range
μPD70F3421	256 KB	0000 0000 <sub>H</sub> to 0003 FFFF <sub>H</sub>
μPD70F3422	384 KB	0000 0000 <sub>H</sub> to 0005 FFFF <sub>H</sub>
μPD70F3423	512 KB	0000 0000 <sub>H</sub> to 0007 FFFF <sub>H</sub>
μPD70F3424	512 KB	0000 0000 <sub>H</sub> to 0007 FFFF <sub>H</sub>
μPD70F3425	1 MB	0000 0000 <sub>H</sub> to 000F FFFF <sub>H</sub>
μPD70F3426A	1 MB	0000 0000 <sub>H</sub> to 000F FFFF <sub>H</sub>
μPD70F3427	1 MB	0000 0000 <sub>H</sub> to 000F FFFF <sub>H</sub>

#### (2) Internal VDB RAM area

**After reset** The internal VDB RAM consists of several separated RAM blocks. If a reset occurs while writing to one RAM block, only the contents of that RAM block may be corrupted. The contents of the other RAM blocks remain unaffected.

Table 3-12 summarizes the VDB (V850 Data Bus) RAM blocks compilation and their address assignment.

Table 3-12 Internal VDB RAM areas (1/2)

Device	RAM size	Block		
		Number	Size	Address
μPD70F3421	12 KB	0	4 KB	03FF 0000 <sub>H</sub> – 03FF 0FFF <sub>H</sub>
		1	8 KB	03FF 1000 <sub>H</sub> – 03FF 2FFF <sub>H</sub>



Table 3-12 Internal VDB RAM areas (2/2)

Device	RAM size	Block		
		Number	Size	Address
μPD70F3422	16 KB	0	8 KB	03FF 0000 <sub>H</sub> – 03FF 1FFF <sub>H</sub>
		1	8 KB	03FF 2000 <sub>H</sub> – 03FF 3FFF <sub>H</sub>
μPD70F3423	20 KB	0	8 KB	03FF 0000 <sub>H</sub> – 03FF 1FFF <sub>H</sub>
		1	8 KB	03FF 2000 <sub>H</sub> – 03FF 3FFF <sub>H</sub>
		2	4 KB	03FF 4000 <sub>H</sub> – 03FF 4FFF <sub>H</sub>
μPD70F3424	24 KB	0	8 KB	03FF 0000 <sub>H</sub> – 03FF 1FFF <sub>H</sub>
		1	8 KB	03FF 2000 <sub>H</sub> – 03FF 3FFF <sub>H</sub>
		2	8 KB	03FF 4000 <sub>H</sub> – 03FF 5FFF <sub>H</sub>
μPD70F3425 <sup>a</sup>	32 KB	0	16 KB	03FF 0000 <sub>H</sub> – 03FF 3FFF <sub>H</sub>
		1	16 KB	03FF 4000 <sub>H</sub> – 03FF 7FFF <sub>H</sub>
μPD70F3426A μPD70F3427	60 KB	0	16 KB	03FF 0000 <sub>H</sub> – 03FF 3FFF <sub>H</sub>
		1	16 KB	03FF 4000 <sub>H</sub> – 03FF 7FFF <sub>H</sub>
		2	16 KB	03FF 8000 <sub>H</sub> – 03FF BFFF <sub>H</sub>
		3	12 KB	03FF C000 <sub>H</sub> – 03FF EFFF <sub>H</sub>

a) The μPD70F3425's 32 KB RAM area 03FF 0000<sub>H</sub> to 03FF 7FFF<sub>H</sub> is mirrored to the subsequent area 03FF 8000<sub>H</sub> to 03FF FFFF<sub>H</sub>. Since the upper 4 KB 03FF F000<sub>H</sub> to 03FF FFFF<sub>H</sub> is used to access the fixed peripheral I/O area, the RAM mirror must not be used to access the RAM.

Note that the internal firmware, which is processed after reset, uses some RAM (refer to "General reset performance" on page 954).

### (3) Internal VSB flash area (μPD70F3426A only)

The μPD70F3426A provides additional flash memory, accessible via the VSB (V850 System Bus).

Table 3-13 Internal VSB flash memory

Device	Flash size	Address range
μPD70F3426A	1 MB	0010 0000 <sub>H</sub> to 001F FFFF <sub>H</sub>

### (4) Internal VSB RAM area (μPD70F3426A only)

The μPD70F3426A provides additional RAM, accessible via the VSB (V850 System Bus).

Table 3-14 Internal VSB RAM

Device	RAM size	Block		
		Number	Size	Address
μPD70F3426A	24 KB	0	12 KB	0060 0000 <sub>H</sub> – 0060 2FFF <sub>H</sub>
		1	12 KB	0060 3000 <sub>H</sub> – 0060 5FFF <sub>H</sub>

### (5) External memory area (μPD70F3427 only)

All address areas that do not address any internal memory or peripheral I/O registers can be used as external memory area.

Access to the external memory area uses the chip select (CS) signals assigned to each memory area.

For access to external memory, see “*Bus and Memory Control (BCU, MEMC)*” on page 289.

### 3.5.2 Fixed peripheral I/O area

The 4 KB area between addresses 03FF F000<sub>H</sub> and 03FF FFFF<sub>H</sub> is provided as the fixed peripheral I/O area. Accesses to these addresses are passed over to the NPB bus (internal bus).

The following registers are memory-mapped to the peripheral I/O area:

- All registers of peripheral functions
- Registers of timers
- Configuration registers of interrupt, DMA, bus and memory controllers
- Configuration registers of the clock controller

For a list of all peripheral I/O registers, see “*Special Function Registers*” on page 997.

- Note**
1. Because the physical address space covers 64 MB, the address bits A[31:26] are not considered. Thus, this address space can also be addressed via the area FFFF 0000<sub>H</sub> to FFFF FFFF<sub>H</sub>. This has the advantage that the area can be indirectly addressed by an offset and the zero base r0.  
Therefore, in this manual, all addresses of peripheral I/O registers in the 4 KB peripheral I/O area are given in the range FFFF F000<sub>H</sub> to FFFF FFFF<sub>H</sub> instead of 03FF F000<sub>H</sub> to 03FF FFFF<sub>H</sub>.
  2. The *fixed* peripheral I/O area is mirrored to the upper 4 KB of the *programmable* peripheral I/O area PPA - regardless of the base address of the PPA. If data is written to one area, it appears also in the other area.
  3. Program fetches cannot be executed from any peripheral I/O area.
  4. Word registers, that means 32-bit registers, are accessed in two half word accesses. The lower two address bits are ignored.
  5. For registers in which byte access is possible, if half word access is executed:
    - During read operation: The higher 8 bits become undefined.
    - During write operation: The lower 8 bits of data are written to the register.

- Caution**
1. Addresses that are not defined as registers are reserved for future expansion. If these addresses are accessed, the operation is undefined and not guaranteed.
  2. For DMA transfer, the fixed peripheral I/O area 03FF F000<sub>H</sub> to 03FF FFFF<sub>H</sub> cannot be specified as the source/destination address. Be sure to use the RAM area 0FFF F000<sub>H</sub> to 0FFF FFFF<sub>H</sub> for source/destination address of DMA transfer.

**(1) Programmable peripheral I/O area**

A 16 KB area is provided as a programmable peripheral I/O area (PPA). The PPA can be freely located. The base address of the programmable peripheral I/O area is specified by the initialization of the peripheral area selection control register (BPC).

See “*Bus and Memory Control (BCU, MEMC)*” on page 289 for details.

### 3.5.3 Recommended use of data address space

When accessing operand data in the data space, one register has to be used for address generation. This register is called pointer register. With relative addressing, an instruction can access operand data at all addresses that lie in the range of  $\pm 32$  KB relative to the address in the pointer register.

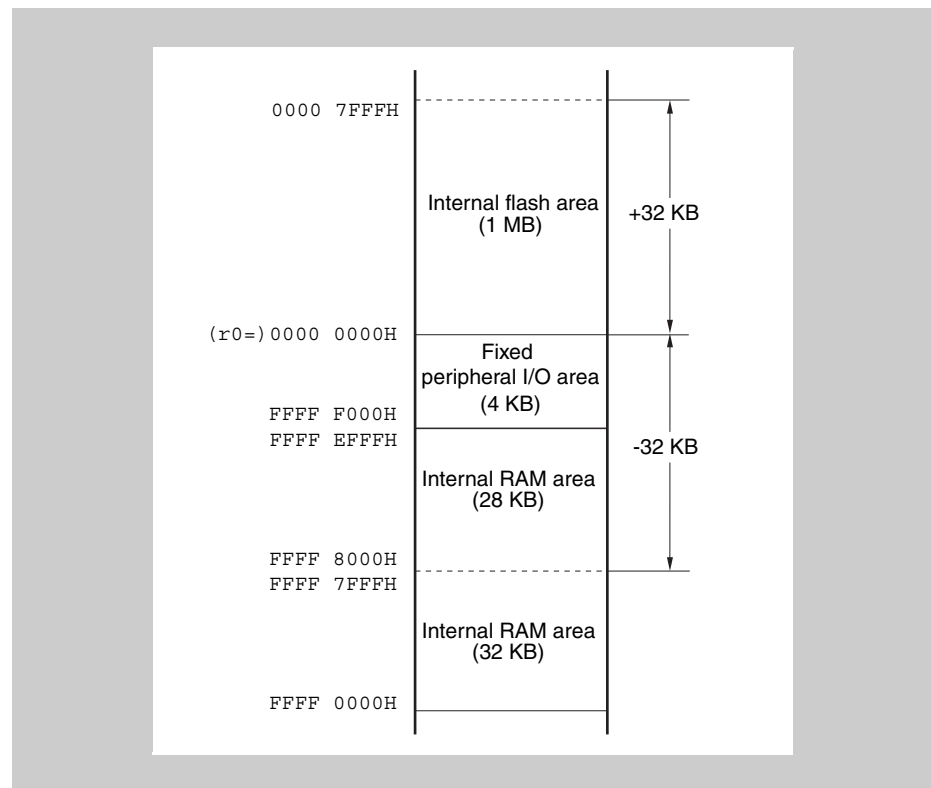
By this offset addressing method load/store instructions can be accommodated in a single 32-bit instruction word, resulting in faster program execution and smaller code size.

To enhance the efficiency of using the pointer in consideration of the memory map, the following is recommended:

For efficient use of the relative addressing feature, the data segments should be located in the address range  $FFFF\ F800_H$  to  $0000\ 0000_H$  and  $0000\ 0000_H$  to  $0000\ 7FFF_H$ . The peripheral I/O registers and the internal RAM is aligned to the upper bound, thus the registers and a part of the RAM can be addressed via relative addressing, with base address 0 (r0).

It is recommended to locate flash memory data segments in the area up to  $0000\ 7FFF_H$ , so access to these constant data can utilize also relative addressing.

Use the r0 register as pointer register for operand addressing. Since the r0 register is fixed to zero by hardware, it can be used as a pointer register and, at the same time, for any other purposes, where a zero register is required. Thus, no other general purpose register has to be reserved as pointer register.



www.DataSheet4U.com

Figure 3-7 Example application of wrap-around

## 3.6 Write Protected Registers

Write protected registers are protected from inadvertent write access due to erroneous program execution, etc. Write access to a write protected register is only given immediately after writing to a corresponding write enable register. For a write access to the write protected registers you have to use the following instructions:

1. Store instruction (ST/SST instruction)
2. Bit operation instruction (SET1/CLR1/NOT1 instruction)

When *reading* write protected registers, no special sequence is required.

The following table gives an overview of the write protected registers and their corresponding write enable registers.

For some registers, incorrect store operations can be checked by a flag of the corresponding status register. This is also marked in the table below.

### Example Start the Watchdog Timer

The following example shows how to write to the write protected register WDTM. The example starts the Watchdog Timer.

```
do {
    _WPRERR = 0;

    DI();
    WCMD = 0x5A;
    WDTM = 0x80;
    EI();
} while (_WPRERR != 0)
```

- Note**
1. Make sure that the compiler generates two consecutive assembler “store” instructions to WCMD and WDTM from the associated C statements.
  2. Special care must be taken when writing to registers PCS and PRCMD. Please refer to “*Clock Generator*” on page 139 for details.

Since any action between writing to a write enable register and writing to a protected register destroys this sequence, the effects of interrupts and DMA transfers have to be considered:

**Interrupts** In order to prevent any maskable interrupt to be acknowledged between the two write instructions in question, shield this sequence by DI - EI (disable interrupt - enable interrupt). However, any non-maskable interrupt can still be acknowledged.

**DMA** In the above example, DMA transfers can still take place. They may destroy the sequence.

If appropriate, you may disable DMA transfers in advance. Otherwise you must check whether writing to the protected register was successful. To do so, check the status via the status register, if available, or by reading back the protected register.

The above examples checks WPHS.WPRERR for that purposes and repeats the sequence until the write to WDTM was successful.

### 3.7 Instructions and Data Access Times

The below *Table 3-15* and *Table 3-16* list the instruction execution and data access cycles, required when accessing instructions or data in VFB flash, VDB RAM and VSB flash/RAM.

The access time depends on the

- memory type (flash, RAM) and access bus (VFB, VDB, VSB)
- number of latency cycles for the memory type
- type of data (instructions/data)
- type of access (consecutive/random addresses)
- device, i.e. maximum clock frequency

In general the CPU is able to execute most instructions in one clock cycle (single-cycle instructions), provided no additional clock cycles are required to access the memory.

Note that for some instructions the CPU requires more clock cycles to execute anyway (multi-cycle instructions), regardless of the memory access time.

The memory access time in a real application is deterministic, but can hardly be predicted, as this heavily depends on the status of the microcontroller and its components, the program flow and concurrent processes, like DMA transfers, interrupts, accesses to peripheral registers via the NPB, etc. Thus the figures in the below tables assume

- all busses (VFB, VDB, VSB, NPB) are not occupied, i.e. collision with other bus traffic is excluded
- 32-bit instruction/data accesses to word-aligned - that means 32-bit aligned - addresses
- data is not accessed via the same bus as the instruction is fetched from
- no wait states for the external memory interface timing

Consequently “1 clock cycle” means: the instruction/data access takes one CPU clock cycle and the CPU is supplied with an instruction/data in each clock: the memory access time is invisible and has no effect.

#### Instruction execution

The given numbers of cycles in *Table 3-15* describe the time required to execute a single-cycle instruction, fetched from the respective memory:

- Consecutive access  
describes the number of cycles required to fetch instructions from the memory on consecutive addresses.
- Random access  
describes the number of cycles required to access the memory in case instructions are accessed on random, i.e. non-consecutive, addresses. In case of instruction flow branches a CPU's pipeline break occurs and an additional cycle is required to refill the pipeline. The table figures include this cycle.

[www.DataSheet4U.com](http://www.DataSheet4U.com)

In case instructions and data are accessed via the same bus, all accesses - instruction fetch and data access - are regarded as random accesses.

#### μPD70F3426A VSB flash

If an instruction is to be fetched from the VSB flash while an access to the NPB is ongoing, the instruction fetch is stopped and completely restarted. This

means 3 additional cycles are necessary for each unsuccessful VSB flash instruction fetch.

**Table 3-15 Single-cycle instructions execution times in CPU clock cycles**

Memory	Access type	μPD70F3427	μPD70F3426A	μPD70F3424 μPD70F3425	μPD70F3421 μPD70F3422 μPD70F3423
VFB flash	Consecutive	1	1	1	1
	Random	4 <sup>a</sup>	4 <sup>a</sup>	4 <sup>a</sup>	2 <sup>a</sup>
VDB RAM	Consecutive	1	1	1	1
	Random	2 <sup>a</sup>	2 <sup>a</sup>	2 <sup>a</sup>	2 <sup>a</sup>
VSB flash	Consecutive	–	• 2 (32-bit instructions) • 1 (16-bit instructions)	–	–
	Random	–	5 <sup>a</sup>	–	–
VSB RAM	Consecutive	–	2	–	–
	Random	–	3 <sup>a</sup>	–	–

a) These values include the additional clock cycle, caused by the CPU's pipeline break

**Data access** The given numbers of cycles in *Table 3-16* describe the time additionally required when an instruction accesses data in the respective memory.

Note that data accesses are always random accesses.

**Table 3-16 Additional time for data accesses in CPU clock cycles**

Data access memory	Instruction code fetch bus	μPD70F3427	μPD70F3426A	μPD70F3424 μPD70F3425	μPD70F3421 μPD70F3422 μPD70F3423
VFB flash	VFB	4	4	4	1
VDB RAM	VFB/VSB	0	0	0	0
VSB flash	VFB	–	4	–	–
VSB RAM	VFB	–	• 1 (single access) • 3 (multiple access)	–	–





# Chapter 4 Clock Generator

The clock generator provides the clock signals needed by the CPU and the on-chip peripherals.

## 4.1 Overview

The clock generator can generate the required clock signals from the following sources:

- Main oscillator - a built-in oscillator with external crystal and a nominal frequency of 4 MHz
- Sub oscillator - a built-in oscillator with external crystal and a nominal frequency of 32 kHz
- Internal oscillator - an internal oscillator without external components and a nominal frequency of 240 kHz

**Features summary** Special features of the clock generator are:

- Choice of oscillators to reduce power consumption in stand-by mode
- Frequency multiplication by two PLL synthesizers:
  - Fixed frequency PLL for accurate timings
  - Spread spectrum PLL (SSCG) for reduced electromagnetic interference
- Individual clock source selection for CPU and groups of peripherals
- Five specific power save modes:
  - HALT mode
  - IDLE mode
  - WATCH mode
  - Sub-WATCH mode
  - STOP mode
- Vital system registers are write-protected by a special write sequence
- Direct main oscillator clock feed-through for watch clock correction support
- Separate clock monitors for main and sub oscillator to detect oscillator malfunction

### 4.1.1 Description

The clock generator is built up as illustrated in the following figure.

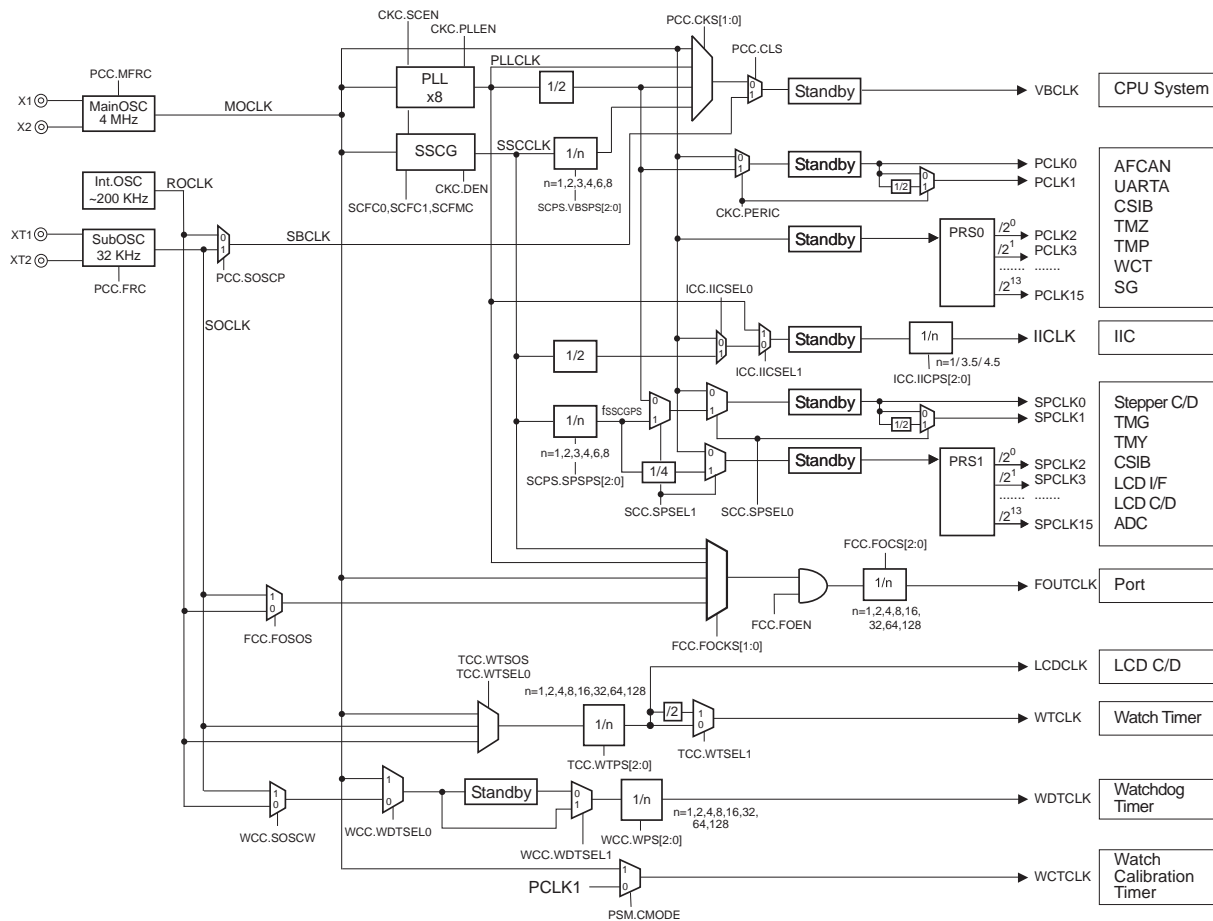


Figure 4-1 Block diagram of the Clock Generator

The left-hand side of the figure shows how the three oscillators can be connected to the CPU, the two PLLs, and to certain peripheral modules. Software-controlled selectors allow you to specify the signal paths.

**PLL** The integrated PLL synthesizer multiplies the frequency of the main oscillator by eight. This yields a frequency of 32 MHz. The CPU can use the PLL output directly. The output frequency of the PLL divided by two can supply the peripherals of the microcontroller and also the CPU.

**SSCG** The spread spectrum clock generator (SSCG) can generate a frequency-modulated clock (modulation frequency and width can be chosen) that helps to eliminate electromagnetic interference (EMI). The SSCG includes a programmable frequency multiplier/divider that can multiply the frequency of the main oscillator by up to 16.

The SSCG can supply the CPU system and some of the peripherals.

**(1) CPU clocks**

The CPU can be clocked directly by any of the oscillators, or by the output of one of the PLLs.

The following table gives an overview of the available CPU clocks.

**Table 4-1 Clock sources and frequencies for the CPU**

Clock source	Frequency	Device	Description
Internal osc	~240 kHz	all	Default clock source after reset release. Selectable as clock source for Sub-WATCH mode release.
Sub osc	32 kHz	all	Selectable as clock source for Sub-WATCH mode release.
Main osc	4 MHz	all	Always selected after power save mode release except on Sub-WATCH mode release or default clock setting. <sup>a</sup> On Sub-WATCH mode release or default clock setting, main or sub oscillator can be selected.
PLL	16 MHz	all	$f_{main} \times 8/2^b$ can be selected for CPU clock supply.
	32 MHz		$f_{main} \times 8/1^b$ can be selected for CPU clock supply.
SSCG	8 MHz <sup>c</sup>	all	$f_{main} \times 12/6^d$ can be selected for CPU clock supply.
	16 MHz <sup>c</sup>		$f_{main} \times 16/4^d$ can be selected for CPU clock supply.
	24 MHz <sup>c</sup>		$f_{main} \times 12/2^d$ can be selected for CPU clock supply.
	32 MHz <sup>c</sup>		$f_{main} \times 16/2^d$ can be selected for CPU clock supply.
	48 MHz <sup>c</sup>	$\mu$ PD70F3424, $\mu$ PD70F3425, $\mu$ PD70F3426A, $\mu$ PD70F3427	$f_{main} \times 12/1^d$ can be selected for CPU clock supply.
64 MHz <sup>c</sup>	$f_{main} \times 16/1^d$ can be selected for CPU clock supply.		

- a) See also “CPU operation after power save mode release” on page 193
- b) Multiplication is performed by the PLL, the division by the PLL post scaler.
- c) Center output frequency of the SSCG, can be modulated up to +/- 5%.
- d) Multiplication is performed by the SSCG, the division by the SSCG post scaler.

**(2) Peripheral clocks**

The right-hand side of *Figure 4-1 on page 140* shows how the clocks for the peripheral modules are generated and distributed.

**PCLK clocks** Peripherals that require precise timings are connected to *PCLKn* signals.

Such peripherals are the CAN controllers, the UARTs, the Timers Z and P, and the clocked serial interfaces CSIB. The Watch Calibration Timer WCT can be connected to PCLK1 or directly to the main oscillator.

The clocks PCLK0...1 can be derived from the main oscillator or the PLL output. The PCLK2...15 clocks are always derived from the main oscillator.

**SPCLK clocks** Peripherals that tolerate or demand a spread spectrum clock (like PWM output timers) are connected to *SPCLKn* signals.

Such peripherals are the Stepper Motor Controller/Driver, the Timers G and Y, the sound generator, the clocked serial interfaces CSIB (CSIB can also be connected to a PCLK), the LCD Bus I/F and Controller/Driver, and the A/D converter.

The clocks SPCLK0...1 can be derived from the main oscillator, the SSCG, or the PLL. The SPCLK2...15 clocks can be derived from the main oscillator or the SSCG.

**IICLK clock** The clock IICLK for the I<sup>2</sup>C interface has its own programmable frequency divider. The clock source can be chosen from the PLL, SSCG or main oscillator.

### (3) Special clocks

The figure shows also some special clock signals. These are dedicated clocks for the LCD controller/driver, Watch Timer, Watchdog Timer, and Watch Calibration Timer. These clocks are directly derived from the oscillators and bypass the PLLs.

**LCDCLK** The LCD Controller/Driver can be clocked by SPCLK7, SPCLK9, or LCDCLK.

**WTCLK** This is the clock for the Watch Timer. It forms the time base for updating the internal bookkeeping of daytime and calendar.

Note that LCDCLK and WTCLK have a common source and a fixed frequency ratio (1/1 or 1/2).

**WCTCLK** This is the clock for the Watch Calibration Timer WCT. The WCT is used in conjunction with the Watch Timer for calibrating the time base during power save modes by utilizing the main oscillator as the stable clock source. WCTCLK can also be derived from PCLK1.

**FOUTCLK** FOUTCLK is a clock signal that can be used for external devices. It is connected to the pin FOUT and can provide almost any of the internal clock frequencies (not phase-synchronized). FOUTCLK must be enabled before it can be used.

**WDTCLK** This is the clock for the Watchdog Timer that is used for recovering from a system deadlock. WDTCLK is available (and hence the Watchdog Timer running) as long as the chosen clock source is active. Optionally WDTCLK can be stopped during a power save mode.

### (4) Stand-by control

In the block diagram, you find also boxes labelled "Standby". These boxes symbolize the switches that are used to disable circuits when the microcontroller enters one of the various power save modes.

The following clocks are subject to automatic stand-by control:

CPU system clock, PCLK, SPCLK, IICLK optionally WDTCLK.

The following clocks can be operating during power save modes (stand-by) as long as their clock oscillator source is available:

FOUTCLK, LCDCLK, WTCLK, WCTCLK, optionally WDTCLK.

## 4.1.2 Clock monitors

The microcontroller contains clock monitors to monitor the operation of the 4 MHz main oscillator and the 32 KHz sub oscillator. In case of malfunction, these monitors can generate a system reset.

The monitors require that the built-in internal oscillator is active. For details see "*Operation of the Clock Monitors*" on page 198.

### 4.1.3 Power save modes overview

The microcontroller provides the following stand-by modes: HALT, IDLE, WATCH, Sub-WATCH, and STOP. Application systems which are designed in a way that they switch between these modes according to operation purposes, reduce power consumption efficiently.

The following explanations provide a general overview and refer to the default settings. Some settings can be changed, for example the activity of the watch and watchdog clocks and hence the connected timers.

For details, please refer to “*Power save modes description*“ on page 179 and the register descriptions.

- HALT mode** In this mode, the *clock supply to the CPU* is suspended while other on-chip peripherals continue to operate. Combining this mode with the normal operating mode results in intermittent operation and reduces the overall system power consumption.
- This mode is entered by executing the HALT instruction.
- All other power save modes are entered by setting the registers PSM and PSC.
- IDLE mode** In this mode, the *clock distribution* is stopped and hence the whole system. The oscillators, Clock Generator (PLL, SSCG, frequency multipliers, dividers), Watch Timer, and Watchdog Timer remain operating.
- This mode allows quick return to the normal operating mode in response to a release signal, because it is not necessary to wait for oscillators or PLLs to settle.
- This mode provides low power consumption. Power is only consumed by the oscillators (main oscillator, sub oscillator), Clock Generator (PLL and SSCG), and Watch Timer / Watchdog Timer.
- WATCH mode** In this mode, the *Clock Generator* (PLL and SSCG) stops operation. Therefore, the entire system except Watch Timer / Watchdog Timer stops.
- This mode provides low power consumption. Power is only consumed by the oscillators (main oscillator, sub oscillator), and the Watch Timer / Watchdog Timer circuits.
- Sub-WATCH mode** In this mode, not only the Clock Generator is stopped but also the *main oscillator*. Watch Timer / Watchdog Timer are switched to the sub or internal oscillator. Therefore, the entire system except Watch Timer / Watchdog Timer stops.
- This mode provides very low power consumption. Power is only consumed by the sub oscillator and Watch Timer / Watchdog Timer circuits.
- STOP mode** In this mode, the entire system stops.
- This mode provides ultra-low power consumption. Power is only consumed by leakage current and the sub oscillator (if a crystal is connected).

#### 4.1.4 Start conditions

After any reset release, the internal oscillator is always selected as the clock source. The oscillation stabilization time for the internal oscillator is ensured by hardware. The CPU clock VBCLK is derived from the internal oscillator.

Several clocks are operating based on the internal oscillator clock after reset. As soon as the main oscillator, which is started by the internal firmware, is stable the source of these clocks is automatically changed to the main oscillator. Therefore depending on the firmware operation and the main oscillator stabilization time these clocks may already be operating with the main oscillator, when the user's program is started.

Internal firmware starts the main oscillator. PLL and SSCG remain stopped.

When the firmware passes control to the application software, software has to ensure that the main oscillator has stabilized and to start the PLL and SSCG.

**Note** Clock supply for most peripherals is not available unless the main oscillator operates.

CPU access to peripherals that have no clock supply may cause system deadlock.

Table 4-2 Clock Generator status after reset release

Item	Status	Remarks
Main oscillator	stopped	started by internal firmware
Sub oscillator	operates	
Internal oscillator	operates	
SSCG	stopped	
PLL	stopped	
VBCLK (CPU system)	operates	based on internal oscillator clock
IICLK	operates	based on internal/main oscillator clock <sup>a</sup>
PCLK0, PCLK1	operates	based on internal/main oscillator clock <sup>a</sup>
PCLK2...PCLK15	operates	based on internal/main oscillator clock <sup>a</sup>
SPCLK0, SPCLK1	operates	based on internal/main oscillator clock <sup>a</sup>
SPCLK2...SPCLK15	operates	based on internal/main oscillator clock <sup>a</sup>
FOUTCLK	operates	based on internal/main oscillator clock <sup>a</sup>
LCDCLK / WTCLK	operates <sup>b</sup>	based on internal/main oscillator clock <sup>a</sup>
WDTCLK	operates	based on internal/main oscillator clock <sup>a</sup>
WCTCLK	operates	based on internal/main oscillator clock <sup>a</sup>

a) Starts with internal oscillator, automatically changed to main oscillator, when main oscillator stable.

b) If the reset was caused by Power-On Clear (POC) or external  $\overline{\text{RESET}}$ , the clock source for LCDCLK and WTCLK is set to internal oscillator. If the reset was caused by a different source, the clock selection for LCDCLK / WTCLK remains unchanged.

### 4.1.5 Start-up guideline

After reset release, the internal firmware starts the main oscillator, but hands over control to the user's software without ensuring that the main oscillator has stabilized.

After that, the user's software will typically:

1. Ensure that the main oscillator has stabilized (check CGSTAT.OSCSTAT).
2. Switch the source of LCDCLK/WTCLK and WDTCLK to main oscillator (if desired).
3. Start the PLL (set CKC.PLLEN) and wait until the PLL has stabilized (refer to the Data Sheet).
4. If the SSCG is going to be used:  
Write SSCG registers to set up the SSCG. This is only possible when the SSCG is switched off.  
Start the SSCG (set CKC.SCEN) and wait until the SSCG has stabilized (refer to the Data Sheet).
5. Write the PCC register to specify the SSCG as the clock source for the CPU.
6. Set up the clock sources for the peripherals according to application requirements.
7. The default value of following registers must be changed after reset:
  - ADA0M1.bit7 = 1 (refer to "ADC Registers" on page 861)

## 4.2 Clock Generator Registers

The Clock Generator is controlled and operated by means of the following registers (the list is sorted according to memory allocation):

Table 4-3 Clock Generator register overview

Register name	Shortcut	Address	Write-protected by register
PSC write protection register	PRCMD	FFFF F1FC <sub>H</sub>	
Power save control register	PSC	FFFF F1FE <sub>H</sub>	PRCMD
Stand-by control register	STBCTL	FFFF FCA2 <sub>H</sub>	STBCTL <sub>P</sub>
Stand-by control protection register	STBCTL <sub>P</sub>	FFFF FCAA <sub>H</sub>	
Sub oscillator clock monitor control register	CLMCS	FFFF F71A <sub>H</sub>	
Command protection register	PHCMD	FFFF F800 <sub>H</sub>	
Peripheral status register	PHS	FFFF F802 <sub>H</sub>	
Power save mode register	PSM	FFFF F820 <sub>H</sub>	
Clock Generator control register	CKC	FFFF F822 <sub>H</sub>	PHCMD
Clock Generator status register	CGSTAT	FFFF F824 <sub>H</sub>	
Watchdog timer clock control register	WCC	FFFF F826 <sub>H</sub>	PHCMD
Processor clock control register	PCC	FFFF F828 <sub>H</sub>	PHCMD
SSCG Frequency modulation control register	SCFMC	FFFF F82A <sub>H</sub>	
SSCG Frequency control 0 register	SCFC0	FFFF F82C <sub>H</sub>	
SSCG Frequency control 1 register	SCFC1	FFFF F82E <sub>H</sub>	
SSCG post scaler control register	SCPS	FFFF F830 <sub>H</sub>	
SPCLK control register	SCC	FFFF F832 <sub>H</sub>	PHCMD
FOUTCLK control register	FCC	FFFF F834 <sub>H</sub>	PHCMD
Watch Timer clock control register	TCC	FFFF F836 <sub>H</sub>	PHCMD
IIC clock control register	ICC	FFFF F838 <sub>H</sub>	PHCMD
Set default clock register	SDC	FFFF F83C <sub>H</sub>	PHCMD
Main oscillator clock monitor mode register	CLMM	FFFF F870 <sub>H</sub>	PRCMD <sub>CMM</sub>
Sub oscillator clock monitor mode register	CLMS	FFFF F878 <sub>H</sub>	PRCMD <sub>CMS</sub>
CLMM write protection register	PRCMD <sub>CMM</sub>	FFFF FCB0 <sub>H</sub>	
CLMS write protection register	PRCMD <sub>CMS</sub>	FFFF FCB2 <sub>H</sub>	

**Note** Some registers are write-protected to avoid inadvertent changes. Data can be written to these registers only in a special sequence of instructions, so that the register contents is not easily rewritten in case of a program hang-up.

Writing to a protected register is only possible immediately after writing to the associated write protection register.



The subsequent register descriptions are grouped as follows:

- **General Clock Generator Registers:**
  - “CKC - Clock Generator control register” on page 148
  - “CGSTAT - Clock Generator status register” on page 149
  - “PHCMD - Command protection register” on page 150
  - “PHS - Peripheral status register” on page 151
  - “PCC - Processor clock control register” on page 152
  - “SDC - Set default clock register” on page 154
- **SSCG Control Registers:**
  - “SCFC0 - SSCG frequency control register 0” on page 156
  - “SCFC1 - SSCG frequency control register 1” on page 157
  - “SCFMC - SSCG frequency modulation control register” on page 158
  - “SCPS - SSCG post scaler control register” on page 160
- **Control Registers for Peripheral Clocks:**
  - “WCC - Watchdog Timer clock control register” on page 161
  - “TCC - Watch Timer clock control register” on page 163
  - “SCC - SPCLK control register” on page 165
  - “FCC - FOUTCLK control register” on page 166
  - “ICC - IIC clock control register” on page 168
- **Control Registers for Power Save Modes:**
  - “PSM - Power save mode register” on page 169
  - “PSC - Power save control register” on page 172
  - “PRCMD - PSC write protection register” on page 173
  - “STBCTL - Stand-by control register” on page 174
  - “STBCTLP - Stand-by control protection register” on page 174
- **Clock Monitor Registers:**
  - “CLMM - Main oscillator clock monitor mode register” on page 175
  - “PRCMDMM - CLMM write protection register” on page 176
  - “CLMS - Sub oscillator clock monitor register” on page 177
  - “PRCMDMS - CLMS write protection register” on page 177
  - “CLMCS - Sub oscillator clock monitor control register” on page 178

### 4.2.1 General clock generator registers

The general Clock Generator registers control and reflect the operation of the Clock Generator.

#### (1) CKC - Clock Generator control register

The 8-bit CKC register controls the clock management.

**Access** This register can be read/written in 8-bit units.

Writing to this register is protected by a special sequence of instructions. Please refer to “*PHCMD - Command protection register*” on page 150 for details.

**Address** FFFF F822<sub>H</sub>.

**Initial Value** 00<sub>H</sub>. The register is initialized by any reset.

7	6	5	4	3	2	1	0
PLLEN	SCEN	DEN	0	PERIC	0	0	0
R/W	R/W	R/W	R <sup>a</sup>	R/W	R <sup>a</sup>	R <sup>a</sup>	R <sup>a</sup>

a) These bits may be written, but write is ignored.

**Table 4-4 CKC register contents**

Bit position	Bit name	Function
7	PLLEN <sup>a</sup>	PLL enable: 0: PLL disabled. 1: PLL on. It is not possible to clear this bit by writing to the register. The bit is automatically cleared in WATCH, Sub-WATCH, or STOP mode, or if bit SDC.SDCR is set to 1.
6	SCEN <sup>a</sup>	SSCG enable: 0: SSCG disabled. 1: SSCG on. It is not possible to clear this bit by writing to the register. The bit is automatically cleared in WATCH, Sub-WATCH, or STOP mode, or if bit SDC.SDCR is set to 1.
5	DEN	SSCG dithering mode enable: 0: SSCG uses fixed multiplication factor determined by SCFC0, SCFC1 1: SSCG is in dithering mode. The base frequency, determined by the registers SCFC0, SCFC1, is modulated according to the setup of register SCFMC. DEN must not be toggled while SCEN is 1.
3	PERIC	Clock source selection for PCLK0/1: 0: Main oscillator is clock source for peripheral clocks PCLK0, PCLK1. 1: PLL (x4) is clock source for peripheral clocks PCLK0, PCLK1. This bit is automatically cleared in WATCH, Sub-WATCH, or STOP mode, or if bit SDC.SDCR is set to 1.

a) Before enabling PLLEN or SCEN, make sure that the main oscillator is running and has settled (see also CG-STAT register). The CPU must operate on the sub, internal or main oscillator clock when setting PLLEN or SCEN to 1. Before selecting the SSCG / PLL outputs as clock sources for peripherals, ensure by software that the SSCG / PLL stabilization time has elapsed. The stabilization times are defined in the Data Sheet.

**(2) CGSTAT - Clock Generator status register**

The 8-bit CGSTAT register is read-only. It indicates the status of the main oscillator and the status of the clock generator after wake-up from power save mode.

**Access** This register can be read in 8-bit units.

**Address** FFFF F824<sub>H</sub>.

**Initial Value** 0000 1101<sub>B</sub>. The register is initialized by any reset.

7	6	5	4	3	2	1	0
CMLPSM	0	0	0	1	1	OSCSTAT	1
R	R	R	R	R	R	R	R

**Table 4-5 CGSTAT register contents**

Bit position	Bit name	Function
7	CMLPSM	Completed power save mode entry: 0: Power save mode configuration not completed. 1: Power save mode configuration completed. This bit is cleared when the clock generator has accepted a power save mode request. However if CGSTAT.CMLPSM was already 0 before a power save mode request it can not be used as an indicator that the clock generator has accepted this power save mode request. This bit is set when the clock generator has completely set up it's power save mode configuration, i.e. all registers are set up, PLL and SSCG are switched off. However if CGSTAT.CMLPSM was already 1 before a power save mode request it can not be used as the only indicator that the clock generator has completed power save mode configuration. If the clock generator has not accepted a power save mode request this bit remains unchanged. Refer also to <i>“CPU operation after power save mode release“ on page 193</i> .
1	OSCSTAT	Main oscillator status indicator (determined by counter): 0: Main oscillator has not settled. 1: Main oscillator has stabilized. The OSCSTAT flag is cleared whenever the main oscillator is switched to stand-by mode due to entering the Sub-WATCH or STOP mode. After the main oscillator is restarted, the oscillation stabilization counter will count up from 0 to 40.960 (approx. 10ms @ 4 MHz) to assure stable oscillator operation. When the oscillation stabilization counter reaches 40.960, the counter is stopped, and the OSCSTAT flag is set.

**(3) PHCMD - Command protection register**

The 8-bit PHCMD register is write-only. It is used to protect other registers from unintended writing.

**Access** This register must be written in 8-bit units.

**Address** FFFF F800<sub>H</sub>.

**Initial Value** The contents of this register is undefined.

7	6	5	4	3	2	1	0
x	x	x	x	x	x	x	x
W	W	W	W	W	W	W	W

PHCMD protects the registers that may have a significant influence on the application system from inadvertent write access, so that the system does not stop in case of a program hang-up.

Any data written to this register is ignored. Only the write action is monitored.

After writing to the PHCMD register, you are permitted to write once to one of the protected registers. This must be done immediately after writing to the PHCMD register. After the second write action, or if the second write action does not follow immediately, all protected registers are write-locked again.

---

**Caution** In case a high level programming language is used, make sure that the compiler translates the two write instructions to PHCMD and the protected register into two consecutive assembler “store” instructions.

---

With this method, the protected registers can only be rewritten in a specific sequence. Illegal write access to a protected register is inhibited.

The following registers are protected by PHCMD:

- CKC: Clock control register
- FCC: FOUTCLK control register
- ICC: I<sup>2</sup>C clock control register
- PCC: Processor clock control register
- SCC: SPCLK control register
- TCC: Watch Timer clock control register
- WCC: Watchdog timer clock control register
- SDC: Set default clock register

An invalid write attempt to one of the above registers sets the error flag PHS.PRERR. PHS.PRERR is also set, if a write access to PHCMD is not immediately followed by an access to one of the protected registers.

**(4) PHS - Peripheral status register**

The 8-bit PHS register indicates the status of a write attempt to a register protected by PHCMD (see also “PHCMD - Command protection register“ on page 150).

**Access** This register can be read/written in 8-bit units.

**Address** FFFF F802<sub>H</sub>.

**Initial Value** 00<sub>H</sub>. The register is cleared by any reset.

7	6	5	4	3	2	1	0
0	0	0	0	0	0	0	PRERR
R <sup>a</sup>	R <sup>a</sup>	R <sup>a</sup>	R <sup>a</sup>	R <sup>a</sup>	R <sup>a</sup>	R <sup>a</sup>	R/W

a) These bits may be written, but write is ignored.

**Table 4-6 PHS register contents**

Bit position	Bit name	Function
0	PRERR	Write error status: 0: Write access was successful. 1: Write access failed. You can clear this register by writing 0 to it. Setting this register to 1 by software is not possible.

**Note** PHS.PRERR is set, if a write access to register PHCMD is not directly followed by a write access to one of the write-protected registers.

**(5) PCC - Processor clock control register**

The 8-bit PCC register controls the CPU clock. This register can be changed only once after reset or power save mode release.

**Access** This register can be read/written in 8-bit units.

Writing to this register is protected by a special sequence of instructions. Please refer to “*PHCMD - Command protection register*” on page 150 for details.

**Address** FFFF F828<sub>H</sub>.

**Initial Value** 10<sub>H</sub>. The register is initialized by any reset.

7	6	5	4	3	2	1	0
FRC	0	MFRC	CLS	0	SOSCP	CKS1	CKS0
R/W	R <sup>a</sup>	R/W	R <sup>a</sup>	R <sup>a</sup>	R/W	R/W	R/W

a) These bits may be written, but write is ignored.

**Table 4-7 PCC register contents (1/2)**

Bit position	Bit name	Function
7	FRC	Sub oscillator circuit: Control of internal return resistance 0: Resistor connected. 1: Resistor disconnected. Set FRC only to 1, if the sub oscillator is not used.
5	MFRC	Main oscillator circuit: Control of internal return resistance 0: Resistor connected. 1: Resistor disconnected. Do not change the initial setting. To ensure correct operation of the main oscillator, the internal feed-back resistor must remain connected.
4	CLS	Processor clock source monitor flag: 0: Main oscillator operation—source can be the output of main oscillator, PLL, or SSCG (selection through CKS[1:0]). The main oscillator is enabled by the internal firmware. 1: Sub clock operation: 32 kHz sub or 240kHz internal oscillator (selection through bit SOSCP). This is the default after reset. It is not possible to set this bit to 1 by writing to the register. On Sub-WATCH release, the CLS bit is set to the state of PSM.OSCDIS. This is the only way to set CLS to 1, which means, the main oscillator remains stopped and the CPU is supplied with the sub clock chosen by SOSCP. CLS is automatically cleared when the processor clock source is changed by writing to PCC.CKS[1:0]. If CLS is 1, the bits CKS[1:0] have no meaning.
2	SOSCP	Sub clock selection: 0: internal oscillator is used for sub clock operation. 1: sub oscillator is used for sub clock operation. This setting takes effect when bit CLS is 1.  <b>Caution:</b> Do not specify the sub oscillator, if the sub oscillator is not enabled or not connected.

Table 4-7 PCC register contents (2/2)

Bit position	Bit name	Function															
1 to 0	CKS[1:0]	Processor clock connection: <table border="1" style="margin-left: 20px;"> <thead> <tr> <th>CKS1</th> <th>CKS0</th> <th>Selected clock connection</th> </tr> </thead> <tbody> <tr> <td>0</td> <td>0</td> <td>Main oscillator</td> </tr> <tr> <td>0</td> <td>1</td> <td>SSCG</td> </tr> <tr> <td>1</td> <td>0</td> <td>PLL (main oscillator frequency x4)</td> </tr> <tr> <td>1</td> <td>1</td> <td>PLL (main oscillator frequency x8)</td> </tr> </tbody> </table> <p>As long as PCC.CLS = 1 these bits are ignored. For changing the processor clock source these bits must be written. By this CLS is set to 0 automatically.</p>	CKS1	CKS0	Selected clock connection	0	0	Main oscillator	0	1	SSCG	1	0	PLL (main oscillator frequency x4)	1	1	PLL (main oscillator frequency x8)
CKS1	CKS0	Selected clock connection															
0	0	Main oscillator															
0	1	SSCG															
1	0	PLL (main oscillator frequency x4)															
1	1	PLL (main oscillator frequency x8)															

- Note**
- Switching to an unstable or not available clock is not protected by hardware. You must monitor the CGSTAT register or count the required stabilization time by software before switching to make sure not to select an unstable clock source.  
Ensure also that the stabilization times of the PLL and SSCG (refer to the Data Sheet) have elapsed before using any PLL or SSCG output clock.
  - Switching to sub clock after Sub-WATCH and WATCH mode release or writing 1 to SDC.SDCR is monitored in the CLS flag. The CLS flag can not be changed to 1 by software.
  - FRC, MFRC and SOSCP are not changed when power save modes are entered or released.

**Write protection** Write protection of this register is achieved in two ways:

- The register can be written only once after any reset.
- The register is protected by a special sequence via the PHCMD register.  
A fail of a write by the special sequence is reflected by PHS.PRERR = 1.

If a write is correctly performed by the special sequence after the register has already once been written successfully PHS.PRERR remains 0, though the write has been ignored.

PHS.PRERR shows violations of the special sequence only. It does not reflect attempts to write the register more than once after reset or power save mode wake-up.

**(6) SDC - Set default clock register**

The 8-bit SDC register can be used to reset the Clock Generator to default state. This is the state that is set after power save mode release.

Depending on the flags PSM.OSCDIS and PCC.SOSCP, the main, sub, or internal oscillator becomes the CPU clock source. Both PLL and SSCG are disabled, and all CPU and peripheral clock selections as well as the SSCG setup can be rewritten.

**Access** This register can be read/written in 8-bit units.

Writing to this register is protected by a special sequence of instructions. Please refer to “PHCMD - Command protection register” on page 150 for details.

**Address** FFFF F83C<sub>H</sub>.

**Initial Value** 00<sub>H</sub>. The register is cleared by any reset.

7	6	5	4	3	2	1	0
0	0	0	0	0	0	0	SDCR
R <sup>a</sup>	R <sup>a</sup>	R <sup>a</sup>	R <sup>a</sup>	R <sup>a</sup>	R <sup>a</sup>	R <sup>a</sup>	R/W

a) These bits may be written, but write is ignored.

**Table 4-8 SDC register contents**

Bit position	Bit name	Function
0	SDCR	Set default Clock Generator configuration: 0: Normal operation. 1: Establish default clock settings. The bit SDC.SDCR can be set by writing 1. Clearing SDC.SDCR by writing 0 is not possible, but is done automatically after default clock settings are completed.

Setting SDC.SDCR has the following effects:

- SDC.SDCR remains set until the default clock setting procedure has finished. After that, it is automatically cleared.
- Depending on the bits PSM.OSCDIS and PCC.SOSCP, either main, sub, or internal oscillator is chosen as the clock source of the CPU.
- CKC.PERIC is cleared—the main oscillator is the clock source for PCLK0/1.
- SCC.SPSEL[1:0] is cleared—the main oscillator is the clock source for all SPCLK clocks.
- ICC.IICSEL[1:0] is cleared—the main oscillator is the clock source for IICLK.
- CKC.PLEN and CKC.SCEN are cleared—but PLL and SSCG are not stopped.

- Note**
1. For further information concerning default clock setting refer to “Power save mode activation” on page 191.
  2. As long as SDC.SDCR is set, do not access any Clock Generator register except SDC.



## 4.2.2 SSCG control registers

This section describes the registers used for controlling the spread spectrum Clock Generator SSCG.

For modulating the SSCG output clock it's dithering mode must be enabled by  $CKC.DEN = 1$ .

### Reconfiguration of SSCG registers

The SSCG control registers SCFC0, SCFC1 and SCFMC can only be rewritten with new settings if the SSCG is switched off, i.e. if

- the SSCG is disabled by  $CKC.SCEN = 0$
- the SSCG is safely switched off after a power save mode wake-up. Refer to *"CPU operation after power save mode release"* on page 193 for a procedure to ensure that the SSCG is switched off after wake-up.

During operation of the SSCG the registers may only be rewritten with the values, they already have.

**(1) SCFC0 - SSCG frequency control register 0**

The 8-bit SCFC0 register controls the frequency modulation of the SSCG. It determines the SSCG output frequency and is used in conjunction with register SCFC1.

The center SSCG output frequency is  $f_{SSCGc} = (4 \text{ MHz} \times N/M) / 2$ . This register defines the divisor “m” and thus  $M = m + 1$ .

**Access** This register can be read/written in 8-bit or 1-bit units.

**Address** FFFF F82C<sub>H</sub>.

**Initial Value** 52<sub>H</sub>. The register is initialized by any reset.

7	6	5	4	3	2	1	0
0 <sup>a</sup>	SCFC06	SCFC05	SCFC04	SCFC03	SCFC02	SCFC01	SCFC00
R/W	R/W	R/W	R/W	R/W	R/W	R/W	R/W

a) The default value “0” of this bit must not be altered.

**Table 4-9 SCFC0 register contents**

Bit position	Bit name	Function
6 to 5	SCFC0[6:5]	Must be set to 01 <sub>B</sub>
4 to 3	SCFC0[4:3]	Must be set according to <i>Table 4-10</i>
2 to 0	SCFC0[2:0]	Determines the divisor m

- Note**
1. This register can only be rewritten with a new value if the SSCG is switched off. Refer to the explanation at the beginning of this section.
  2. The initial value of this register must be changed after reset.

**Frequency calculation** If dithering mode is disabled (CKC.DEN = 0) the SSCG outputs its center frequency  $f_{SSCGc}$ :

$$f_{SSCGc} = (4 \text{ MHz} \times N/M) / 2$$

where:

- $M = m + 1 = \text{SCFC0.SCF0}[2:0] + 1$
- $N = n + 1 = \text{SCFC1.SCF1}[6:0] + 1$

The values to be written into SCFC0 and SCFC1 are restricted. Possible combinations are:

**Table 4-10 Supported settings of N (n) and M (m)**

$f_{SSCGmax}$	M (m)	N (n)	SCFC0	SCFC1
48 MHz	4 (3)	96 (95)	2B <sub>H</sub>	DF <sub>H</sub>
64 MHz	3 (2)	96 (95)	32 <sub>H</sub>	DF <sub>H</sub>

**(2) SCFC1 - SSCG frequency control register 1**

The 8-bit SCFC1 register controls the frequency multiplication of the SSCG. It determines the SSCG output frequency and is used in conjunction with register SCFC0.

The center SSCG output frequency is  $f_{SSCGc} = (4 \text{ MHz} \times N/M) / 2$ . This register defines the factor “n” and thus  $N = n + 1$ .

**Access** This register can be read/written in 8-bit or 1-bit units.

**Address** FFFF F82E<sub>H</sub>.

**Initial Value** EB<sub>H</sub>. The register is initialized by any reset.

7	6	5	4	3	2	1	0
1	SCFC16	SCFC15	SCFC14	SCFC13	SCFC12	SCFC11	SCFC10
R/W	R/W	R/W	R/W	R/W	R/W	R/W	R/W

**Table 4-11 SCFC1 register contents**

Bit position	Bit name	Function
6 to 0	SCFC1[6:0]	Determines the factor n

- Note**
1. Bits 7 is set to 1 and must not be changed.
  2. This register can only be rewritten with a new value if the SSCG is switched off. Refer to the explanation at the beginning of this section.

**(3) SCFMC - SSCG frequency modulation control register**

The 8-bit SCFMC register controls the frequency modulation of the SSCG in dithering mode (when CKC.DEN = 1).

**Access** This register can be read/written in 8-bit or 1-bit units.

**Address** FFFF F82A<sub>H</sub>.

**Initial Value** 00<sub>H</sub>. The register is initialized by any reset.

7	6	5	4	3	2	1	0
0	0	0	SCFMC4	SCFMC3	SCFMC2	SCFMC1	SCFMC0
R	R	R	R/W	R/W	R/W	R/W	R/W

**Table 4-12 SCFMC register contents**

Bit position	Bit name	Function																																
4 to 2	SCFMC[4:2]	Frequency modulation range control: <table border="1" style="margin-left: 20px;"> <thead> <tr> <th>SCFMC4</th> <th>SCFMC3</th> <th>SCFMC2</th> <th>FM range</th> </tr> </thead> <tbody> <tr> <td style="text-align: center;">0</td> <td style="text-align: center;">0</td> <td style="text-align: center;">0</td> <td>± 0.5 % (typical value)</td> </tr> <tr> <td style="text-align: center;">0</td> <td style="text-align: center;">0</td> <td style="text-align: center;">1</td> <td>± 1.0 % (typical value)</td> </tr> <tr> <td style="text-align: center;">0</td> <td style="text-align: center;">1</td> <td style="text-align: center;">0</td> <td>± 2.0 % (typical value)</td> </tr> <tr> <td style="text-align: center;">0</td> <td style="text-align: center;">1</td> <td style="text-align: center;">1</td> <td>± 3.0 % (typical value)</td> </tr> <tr> <td style="text-align: center;">1</td> <td style="text-align: center;">0</td> <td style="text-align: center;">0</td> <td>± 4.0 % (typical value)</td> </tr> <tr> <td style="text-align: center;">1</td> <td style="text-align: center;">0</td> <td style="text-align: center;">1</td> <td>± 5.0 % (typical value)</td> </tr> <tr> <td colspan="3" style="text-align: center;">other settings</td> <td>prohibited</td> </tr> </tbody> </table>	SCFMC4	SCFMC3	SCFMC2	FM range	0	0	0	± 0.5 % (typical value)	0	0	1	± 1.0 % (typical value)	0	1	0	± 2.0 % (typical value)	0	1	1	± 3.0 % (typical value)	1	0	0	± 4.0 % (typical value)	1	0	1	± 5.0 % (typical value)	other settings			prohibited
SCFMC4	SCFMC3	SCFMC2	FM range																															
0	0	0	± 0.5 % (typical value)																															
0	0	1	± 1.0 % (typical value)																															
0	1	0	± 2.0 % (typical value)																															
0	1	1	± 3.0 % (typical value)																															
1	0	0	± 4.0 % (typical value)																															
1	0	1	± 5.0 % (typical value)																															
other settings			prohibited																															
1 to 0	SCFMC[1:0]	Frequency modulation frequency control: <table border="1" style="margin-left: 20px;"> <thead> <tr> <th>SCFMC1</th> <th>SCFMC0</th> <th>Modulation frequency</th> </tr> </thead> <tbody> <tr> <td style="text-align: center;">0</td> <td style="text-align: center;">0</td> <td>40 kHz (typical value)</td> </tr> <tr> <td style="text-align: center;">0</td> <td style="text-align: center;">1</td> <td>50 kHz (typical value)</td> </tr> <tr> <td style="text-align: center;">1</td> <td style="text-align: center;">0</td> <td>60 kHz (typical value)</td> </tr> <tr> <td style="text-align: center;">1</td> <td style="text-align: center;">1</td> <td>prohibited</td> </tr> </tbody> </table>	SCFMC1	SCFMC0	Modulation frequency	0	0	40 kHz (typical value)	0	1	50 kHz (typical value)	1	0	60 kHz (typical value)	1	1	prohibited																	
SCFMC1	SCFMC0	Modulation frequency																																
0	0	40 kHz (typical value)																																
0	1	50 kHz (typical value)																																
1	0	60 kHz (typical value)																																
1	1	prohibited																																

- Note**
1. This register can only be rewritten with a new value if the SSCG is switched off. Refer to the explanation at the beginning of this section.
  2. The given modulation ranges and frequencies are typical values. Refer also to the Data Sheet.

In dithering mode, the SSCG output frequency  $f_{SSCG}$  varies according to the FM range, specified by SCFMC[4:2], around its center value:

$$f_{SSCG} = f_{SSCGc} \pm (\text{FM range})$$

The time of one full cycle is given by the period of the modulation frequency specified in SCFMC[1:0].

**Example** If:

- SCFC0 = 2B<sub>H</sub>, SCFC1 = DF<sub>H</sub>: center frequency  $f_{SSCGc} = 48$  MHz
- [SCFMC[4:2]] = 101<sub>B</sub>: FM range = 5 %
- [SCFMC[1:0]] = 01<sub>B</sub>: modulation frequency = 50 KHz

## Then:

- The SSCG frequency is swept between about 45.6 MHz and 50.4 MHz.
- One sweep cycle takes typically 20  $\mu$ s.

**(4) SCPS - SSCG post scaler control register**

The 8-bit SCPS register controls the two independent SSCG post scalers (frequency dividers) for the CPU system clock VBCLK and for the modulated peripheral clocks SPCLK.

**Access** This register can be read/written in 8-bit or 1-bit units.

**Address** FFFF F830<sub>H</sub>.

**Initial Value** 21<sub>H</sub>. The register is initialized by any reset.

7	6	5	4	3	2	1	0
0	SPSPS2	SPSPS1	SPSPS0	0	VBSPS2	VBSPS1	VBSPS0
R/W	R/W	R/W	R/W	R/W	R/W	R/W	R/W

**Table 4-13 SCPS register contents**

Bit position	Bit name	Function																																				
6 to 4	SPSPS[2:0]	SSCG clock divider selection for generating SPCLK0: <table border="1" style="margin-top: 10px;"> <thead> <tr> <th>SPSPS2</th> <th>SPSPS1</th> <th>SPSPS0</th> <th>Clock divider setting</th> </tr> </thead> <tbody> <tr> <td>0</td> <td>0</td> <td>0</td> <td>SPCLK0 = SSCG out frequency / 1</td> </tr> <tr> <td>0</td> <td>0</td> <td>1</td> <td>SPCLK0 = SSCG out frequency / 2</td> </tr> <tr> <td>0</td> <td>1</td> <td>0</td> <td>SPCLK0 = SSCG out frequency / 3</td> </tr> <tr> <td>0</td> <td>1</td> <td>1</td> <td>SPCLK0 = SSCG out frequency / 4</td> </tr> <tr> <td>1</td> <td>0</td> <td>0</td> <td>not supported</td> </tr> <tr> <td>1</td> <td>0</td> <td>1</td> <td>SPCLK0 = SSCG out frequency / 6</td> </tr> <tr> <td>1</td> <td>1</td> <td>0</td> <td>not supported</td> </tr> <tr> <td>1</td> <td>1</td> <td>1</td> <td>SPCLK0 = SSCG out frequency / 8</td> </tr> </tbody> </table>	SPSPS2	SPSPS1	SPSPS0	Clock divider setting	0	0	0	SPCLK0 = SSCG out frequency / 1	0	0	1	SPCLK0 = SSCG out frequency / 2	0	1	0	SPCLK0 = SSCG out frequency / 3	0	1	1	SPCLK0 = SSCG out frequency / 4	1	0	0	not supported	1	0	1	SPCLK0 = SSCG out frequency / 6	1	1	0	not supported	1	1	1	SPCLK0 = SSCG out frequency / 8
SPSPS2	SPSPS1	SPSPS0	Clock divider setting																																			
0	0	0	SPCLK0 = SSCG out frequency / 1																																			
0	0	1	SPCLK0 = SSCG out frequency / 2																																			
0	1	0	SPCLK0 = SSCG out frequency / 3																																			
0	1	1	SPCLK0 = SSCG out frequency / 4																																			
1	0	0	not supported																																			
1	0	1	SPCLK0 = SSCG out frequency / 6																																			
1	1	0	not supported																																			
1	1	1	SPCLK0 = SSCG out frequency / 8																																			
2 to 0	VBSPS[2:0]	SSCG clock divider selection for generating VBCLK: <table border="1" style="margin-top: 10px;"> <thead> <tr> <th>VBSPS2</th> <th>VBSPS1</th> <th>VBSPS0</th> <th>Clock divider setting</th> </tr> </thead> <tbody> <tr> <td>0</td> <td>0</td> <td>0</td> <td>VBCLK = SSCG out frequency / 1</td> </tr> <tr> <td>0</td> <td>0</td> <td>1</td> <td>VBCLK = SSCG out frequency / 2</td> </tr> <tr> <td>0</td> <td>1</td> <td>0</td> <td>VBCLK = SSCG out frequency / 3</td> </tr> <tr> <td>0</td> <td>1</td> <td>1</td> <td>VBCLK = SSCG out frequency / 4</td> </tr> <tr> <td>1</td> <td>0</td> <td>0</td> <td>not supported</td> </tr> <tr> <td>1</td> <td>0</td> <td>1</td> <td>VBCLK = SSCG out frequency / 6</td> </tr> <tr> <td>1</td> <td>1</td> <td>0</td> <td>not supported</td> </tr> <tr> <td>1</td> <td>1</td> <td>1</td> <td>VBCLK = SSCG out frequency / 8</td> </tr> </tbody> </table>	VBSPS2	VBSPS1	VBSPS0	Clock divider setting	0	0	0	VBCLK = SSCG out frequency / 1	0	0	1	VBCLK = SSCG out frequency / 2	0	1	0	VBCLK = SSCG out frequency / 3	0	1	1	VBCLK = SSCG out frequency / 4	1	0	0	not supported	1	0	1	VBCLK = SSCG out frequency / 6	1	1	0	not supported	1	1	1	VBCLK = SSCG out frequency / 8
VBSPS2	VBSPS1	VBSPS0	Clock divider setting																																			
0	0	0	VBCLK = SSCG out frequency / 1																																			
0	0	1	VBCLK = SSCG out frequency / 2																																			
0	1	0	VBCLK = SSCG out frequency / 3																																			
0	1	1	VBCLK = SSCG out frequency / 4																																			
1	0	0	not supported																																			
1	0	1	VBCLK = SSCG out frequency / 6																																			
1	1	0	not supported																																			
1	1	1	VBCLK = SSCG out frequency / 8																																			

www.DataSheet4U.com

**Note** This register can only be written when the SSCG enable bit CKC.SCEN is cleared (SSCG switched off).

### 4.2.3 Control registers for peripheral clocks

This section describes the registers used for specifying the sources and operation modes for the clocks provided for the on-chip peripherals.

These clocks are the clocks for the Watchdog and Watch Timers, the SPCLKn clocks, FOUTCLK, and IICLK.

**Note** Be aware that the WCC register controls not only the generation of the Watchdog Timer clock. It defines also the run/stop mode of the sub and internal oscillators when certain power save modes are entered.

#### (1) WCC - Watchdog Timer clock control register

The 8-bit WCC register controls the Watchdog Timer clock. This register can be changed only once after any reset.

Writing to this register is protected by a special sequence of instructions. Please refer to “PHCMD - Command protection register” on page 150 for details.

**Access** This register can be read/written in 8-bit units.

**Address** FFFF F826<sub>H</sub>.

**Initial Value** 00<sub>H</sub>. The register is initialized by any reset.

7	6	5	4	3	2	1	0
SOSTP	WPS2	WPS1	WPS0	ROSTP	SOSCW	WDTSEL1	WDTSEL0
R/W	R/W	R/W	R/W	R/W	R/W	R/W	R/W

Table 4-14 WCC register contents (1/2)

Bit position	Bit name	Function																																				
7	SOSTP	Sub oscillator STOP mode control 1: Sub oscillator will stop when STOP mode is entered. 0: Sub oscillator will not stop when STOP mode is entered.																																				
6 to 4	WPS[2:0]	WDT clock divider selection: <table border="1" style="margin-left: 20px;"> <thead> <tr> <th>WPS2</th> <th>WPS1</th> <th>WPS0</th> <th>Clock divider setting</th> </tr> </thead> <tbody> <tr> <td style="text-align: center;">0</td> <td style="text-align: center;">0</td> <td style="text-align: center;">0</td> <td style="text-align: center;">1</td> </tr> <tr> <td style="text-align: center;">0</td> <td style="text-align: center;">0</td> <td style="text-align: center;">1</td> <td style="text-align: center;">1 / 2</td> </tr> <tr> <td style="text-align: center;">0</td> <td style="text-align: center;">1</td> <td style="text-align: center;">0</td> <td style="text-align: center;">1 / 4</td> </tr> <tr> <td style="text-align: center;">0</td> <td style="text-align: center;">1</td> <td style="text-align: center;">1</td> <td style="text-align: center;">1 / 8</td> </tr> <tr> <td style="text-align: center;">1</td> <td style="text-align: center;">0</td> <td style="text-align: center;">0</td> <td style="text-align: center;">1 / 16</td> </tr> <tr> <td style="text-align: center;">1</td> <td style="text-align: center;">0</td> <td style="text-align: center;">1</td> <td style="text-align: center;">1 / 32</td> </tr> <tr> <td style="text-align: center;">1</td> <td style="text-align: center;">1</td> <td style="text-align: center;">0</td> <td style="text-align: center;">1 / 64</td> </tr> <tr> <td style="text-align: center;">1</td> <td style="text-align: center;">1</td> <td style="text-align: center;">1</td> <td style="text-align: center;">1 / 128</td> </tr> </tbody> </table>	WPS2	WPS1	WPS0	Clock divider setting	0	0	0	1	0	0	1	1 / 2	0	1	0	1 / 4	0	1	1	1 / 8	1	0	0	1 / 16	1	0	1	1 / 32	1	1	0	1 / 64	1	1	1	1 / 128
WPS2	WPS1	WPS0	Clock divider setting																																			
0	0	0	1																																			
0	0	1	1 / 2																																			
0	1	0	1 / 4																																			
0	1	1	1 / 8																																			
1	0	0	1 / 16																																			
1	0	1	1 / 32																																			
1	1	0	1 / 64																																			
1	1	1	1 / 128																																			
3	ROSTP	Internal oscillator stop control: 1: Internal oscillator stops if WATCH, Sub-WATCH or STOP mode is entered 0: Internal oscillator always operates																																				

www.DataSheet4U.com

Table 4-14 WCC register contents (2/2)

Bit position	Bit name	Function															
2, 0	SOSCW, WDTSEL0	Watchdog Timer clock source selection: <table border="1" style="margin-top: 10px;"> <thead> <tr> <th>SOSCW</th> <th>WDTSEL0</th> <th>WDT clock source</th> </tr> </thead> <tbody> <tr> <td>0</td> <td>0</td> <td>Internal oscillator</td> </tr> <tr> <td>1</td> <td>0</td> <td>Sub oscillator</td> </tr> <tr> <td>0</td> <td>1</td> <td>Main oscillator</td> </tr> <tr> <td>1</td> <td>1</td> <td>Setting prohibited</td> </tr> </tbody> </table> <p>By default, the sub oscillator is disabled in STOP mode (see bit SOSTP). If SOSTP is 1, choose main or internal oscillator before entering STOP mode.</p> <hr/> <p><b>Caution:</b> Do not specify the sub oscillator, if the sub oscillator is not enabled or not connected.</p> <hr/>	SOSCW	WDTSEL0	WDT clock source	0	0	Internal oscillator	1	0	Sub oscillator	0	1	Main oscillator	1	1	Setting prohibited
SOSCW	WDTSEL0	WDT clock source															
0	0	Internal oscillator															
1	0	Sub oscillator															
0	1	Main oscillator															
1	1	Setting prohibited															
1	WDTSEL1	Watchdog Timer clock stand-by control 0: WDTCLK stops in IDLE, WATCH, Sub-WATCH and STOP modes. 1: WDTCLK operates as long as the selected clock source operates.															

- Note**
1. For security reasons, the WCC register should always be programmed after reset, even if the default settings are used.
  2. Watch and Watchdog Timer clocks are not gated during the sub oscillator stabilization period after STOP-mode release. This may generate spikes on the clock supply of the watch and Watchdog Timers.

**Write protection** Write protection of this register is achieved in two ways:

- The register can be written only once after Power-On-Clear reset or external RESET.
- The register is protected by a special sequence via the PHCMD register. A fail of a write by the special sequence is reflected by PHS.PRERR = 1.

If a write is correctly performed by the special sequence after the register has already once been written successfully PHS.PRERR remains 0, though the write has been ignored.

PHS.PRERR shows violations of the special sequence only. It does not reflect attempts to write the register more than once after reset.



**(2) TCC - Watch Timer clock control register**

The 8-bit TCC register determines the Watch Timer and LCD controller clock source and the setting of the associated clock dividers. This register can be changed only once after Power-On-Clear reset or external  $\overline{\text{RESET}}$ .

**Access** This register can be read/written in 8-bit units.

Writing to this register is protected by a special sequence of instructions. Please refer to “*PHCMD - Command protection register*” on page 150 for details.

**Address** FFFF F836<sub>H</sub>.

**Initial Value** 00<sub>H</sub>. The register is initialized at power-on and by external  $\overline{\text{RESET}}$ .

7	6	5	4	3	2	1	0
0	WTPS2	WTPS1	WTPS0	0	WTSOS	WTSEL1	WTSEL0
R <sup>a</sup>	R/W	R/W	R/W	R <sup>a</sup>	R/W	R/W	R/W

a) These bits may be written, but write is ignored.

**Table 4-15 TCC register contents (1/2)**

Bit position	Bit name	Function				
6 to 4	WTPS[2:0]	LCDCLK clock divider selection:				
			<b>WTPS2</b>	<b>WTPS1</b>	<b>WTPS0</b>	<b>Clock divider setting</b>
			0	0	0	1
			0	0	1	1 / 2
			0	1	0	1 / 4
			0	1	1	1 / 8
			1	0	0	1 / 16
			1	0	1	1 / 32
			1	1	0	1 / 64
			1	1	1	1 / 128
1	WTSEL1	WTCLK (Watch Timer clock) divider setting: 0: WTCLK = LCDCLK. 1: WTCLK = LCDCLK / 2.				

Table 4-15 TCC register contents (2/2)

Bit position	Bit name	Function															
2, 0	WTSOS, WTSEL0	<p>Clock source for Watch Timer and LCD controller:</p> <table border="1"> <thead> <tr> <th>WTSOS</th> <th>WTSEL0</th> <th>Clock source</th> </tr> </thead> <tbody> <tr> <td>0</td> <td>0</td> <td>Internal oscillator</td> </tr> <tr> <td>1</td> <td>0</td> <td>Sub oscillator</td> </tr> <tr> <td>0</td> <td>1</td> <td>Main oscillator</td> </tr> <tr> <td>1</td> <td>1</td> <td>Setting prohibited</td> </tr> </tbody> </table> <p>By default, the sub oscillator is disabled in STOP mode (see bit WCC.SOSTP). If WCC.SOSTP is 1, choose main or internal oscillator before entering STOP mode.</p> <hr/> <p><b>Caution:</b> Do not specify the sub oscillator, if the sub oscillator is not enabled or not connected.</p> <hr/>	WTSOS	WTSEL0	Clock source	0	0	Internal oscillator	1	0	Sub oscillator	0	1	Main oscillator	1	1	Setting prohibited
WTSOS	WTSEL0	Clock source															
0	0	Internal oscillator															
1	0	Sub oscillator															
0	1	Main oscillator															
1	1	Setting prohibited															

**Note** Only POC and external  $\overline{\text{RESET}}$  can clear the TCC register. Only one write access to TCC is allowed after reset release. Once the TCC has been written, it ignores new write accesses until the next POC or external  $\overline{\text{RESET}}$  is issued.

**Write protection** Write protection of this register is achieved in two ways:

- The register can be written only once after Power-On-Clear reset or external  $\overline{\text{RESET}}$ .
- The register is protected by a special sequence via the PHCMD register. A fail of a write by the special sequence is reflected by PHS.PRERR = 1.

If a write is correctly performed by the special sequence after the register has already once been written successfully PHS.PRERR remains 0, though the write has been ignored.

PHS.PRERR shows violations of the special sequence only. It does not reflect attempts to write the register more than once after reset.

**(3) SCC - SPCLK control register**

The 8-bit SCC register selects the SPCLK sources.

**Access** This register can be read/written in 8-bit or 1-bit units.

Writing to this register is protected by a special sequence of instructions. Please refer to “*PHCMD - Command protection register*” on page 150 for details.

**Address** FFFF F832<sub>H</sub>.

**Initial Value** 00<sub>H</sub>. The register is initialized by entering WATCH, Sub-WATCH, or STOP mode, or if control bit SDC.SDCR is set.

7	6	5	4	3	2	1	0
0	0	0	0	0	0	SPSEL1	SPSEL0
R	R	R	R	R	R	R/W	R/W

Bit position	Bit name	Function																												
1 to 0	SPSEL[1:0]	Source selection for generating the SPCLK clocks: <table border="1" style="margin-left: 20px;"> <thead> <tr> <th rowspan="2">SPSEL1</th> <th rowspan="2">SPSEL0</th> <th colspan="3">Clock sources</th> </tr> <tr> <th>SPCLK0</th> <th>SPCLK1</th> <th>SPCLK2</th> </tr> </thead> <tbody> <tr> <td style="text-align: center;">0</td> <td style="text-align: center;">0</td> <td>Main osc</td> <td>Main osc</td> <td>Main osc</td> </tr> <tr> <td style="text-align: center;">0</td> <td style="text-align: center;">1</td> <td>PLL / 2</td> <td>PLL / 4</td> <td>Main osc</td> </tr> <tr> <td style="text-align: center;">1</td> <td style="text-align: center;">0</td> <td colspan="3" style="text-align: center;">not supported</td> </tr> <tr> <td style="text-align: center;">1</td> <td style="text-align: center;">1</td> <td>SSCG<sub>PS</sub></td> <td>SSCG<sub>PS</sub> / 2</td> <td>SSCG<sub>PS</sub> / 4</td> </tr> </tbody> </table>	SPSEL1	SPSEL0	Clock sources			SPCLK0	SPCLK1	SPCLK2	0	0	Main osc	Main osc	Main osc	0	1	PLL / 2	PLL / 4	Main osc	1	0	not supported			1	1	SSCG <sub>PS</sub>	SSCG <sub>PS</sub> / 2	SSCG <sub>PS</sub> / 4
SPSEL1	SPSEL0	Clock sources																												
		SPCLK0	SPCLK1	SPCLK2																										
0	0	Main osc	Main osc	Main osc																										
0	1	PLL / 2	PLL / 4	Main osc																										
1	0	not supported																												
1	1	SSCG <sub>PS</sub>	SSCG <sub>PS</sub> / 2	SSCG <sub>PS</sub> / 4																										

- Note**
1. “Main osc” is the clock MOCLK provided by the main oscillator.
  2. “PLL” is the clock PLLCLK provided by the PLL.
- “SSCG<sub>PS</sub>” is the clock provided by the SSCG post scaler for SPCLK (see also “*SCPS - SSCG post scaler control register*” on page 160

**(4) FCC - FOUTCLK control register**

The 8-bit FCC register configures the output clock FOUTCLK that can be used for external devices.

**Access** This register can be read/written in 8-bit or 1-bit units.

Writing to this register is protected by a special sequence of instructions. Please refer to “PHCMD - Command protection register” on page 150 for details.

**Address** FFFF F834<sub>H</sub>.

**Initial Value** 00<sub>H</sub>. The register is initialized by any reset.

7	6	5	4	3	2	1	0
FOEN	FOCS2	FOCS1	FOCS0	0	FOSOS	FOCKS1	FOCKS0
R/W	R/W	R/W	R/W	R	R/W	R/W	R/W

**Table 4-16 FCC register contents**

Bit position	Bit name	Function																																				
7	FOEN	Output clock FOUTCLK enable: 0: FOUTCLK is disabled. 1: FOUTCLK is enabled.																																				
6 to 4	FOCS[2:0]	Output clock divider setting for FOUTCLK: <table border="1" style="margin: 5px 0;"> <thead> <tr> <th>FOCS2</th> <th>FOCS1</th> <th>FOCS0</th> <th>Clock divider setting</th> </tr> </thead> <tbody> <tr> <td style="text-align: center;">0</td> <td style="text-align: center;">0</td> <td style="text-align: center;">0</td> <td>FOUTCLK = selected clock source / 1</td> </tr> <tr> <td style="text-align: center;">0</td> <td style="text-align: center;">0</td> <td style="text-align: center;">1</td> <td>FOUTCLK = selected clock source / 2</td> </tr> <tr> <td style="text-align: center;">0</td> <td style="text-align: center;">1</td> <td style="text-align: center;">0</td> <td>FOUTCLK = selected clock source / 4</td> </tr> <tr> <td style="text-align: center;">0</td> <td style="text-align: center;">1</td> <td style="text-align: center;">1</td> <td>FOUTCLK = selected clock source / 8</td> </tr> <tr> <td style="text-align: center;">1</td> <td style="text-align: center;">0</td> <td style="text-align: center;">0</td> <td>FOUTCLK = selected clock source / 16</td> </tr> <tr> <td style="text-align: center;">1</td> <td style="text-align: center;">0</td> <td style="text-align: center;">1</td> <td>FOUTCLK = selected clock source / 32</td> </tr> <tr> <td style="text-align: center;">1</td> <td style="text-align: center;">1</td> <td style="text-align: center;">0</td> <td>FOUTCLK = selected clock source / 64</td> </tr> <tr> <td style="text-align: center;">1</td> <td style="text-align: center;">1</td> <td style="text-align: center;">1</td> <td>FOUTCLK = selected clock source / 128</td> </tr> </tbody> </table>	FOCS2	FOCS1	FOCS0	Clock divider setting	0	0	0	FOUTCLK = selected clock source / 1	0	0	1	FOUTCLK = selected clock source / 2	0	1	0	FOUTCLK = selected clock source / 4	0	1	1	FOUTCLK = selected clock source / 8	1	0	0	FOUTCLK = selected clock source / 16	1	0	1	FOUTCLK = selected clock source / 32	1	1	0	FOUTCLK = selected clock source / 64	1	1	1	FOUTCLK = selected clock source / 128
FOCS2	FOCS1	FOCS0	Clock divider setting																																			
0	0	0	FOUTCLK = selected clock source / 1																																			
0	0	1	FOUTCLK = selected clock source / 2																																			
0	1	0	FOUTCLK = selected clock source / 4																																			
0	1	1	FOUTCLK = selected clock source / 8																																			
1	0	0	FOUTCLK = selected clock source / 16																																			
1	0	1	FOUTCLK = selected clock source / 32																																			
1	1	0	FOUTCLK = selected clock source / 64																																			
1	1	1	FOUTCLK = selected clock source / 128																																			
2 to 0	FOSOS, FOCKS[1:0]	Clock source selection for FOUTCLK: <table border="1" style="margin: 5px 0;"> <thead> <tr> <th>FOSOS</th> <th>FOCKS1</th> <th>FOCKS0</th> <th>Clock source</th> </tr> </thead> <tbody> <tr> <td style="text-align: center;">x</td> <td style="text-align: center;">0</td> <td style="text-align: center;">0</td> <td>Main oscillator</td> </tr> <tr> <td style="text-align: center;">x</td> <td style="text-align: center;">0</td> <td style="text-align: center;">1</td> <td>SSCG</td> </tr> <tr> <td style="text-align: center;">x</td> <td style="text-align: center;">1</td> <td style="text-align: center;">0</td> <td>PLL</td> </tr> <tr> <td style="text-align: center;">0</td> <td style="text-align: center;">1</td> <td style="text-align: center;">1</td> <td>Internal oscillator</td> </tr> <tr> <td style="text-align: center;">1</td> <td style="text-align: center;">1</td> <td style="text-align: center;">1</td> <td>Sub oscillator</td> </tr> </tbody> </table> <p><b>Caution:</b> Do not specify the sub oscillator, if the sub oscillator is not enabled or not connected.</p>	FOSOS	FOCKS1	FOCKS0	Clock source	x	0	0	Main oscillator	x	0	1	SSCG	x	1	0	PLL	0	1	1	Internal oscillator	1	1	1	Sub oscillator												
FOSOS	FOCKS1	FOCKS0	Clock source																																			
x	0	0	Main oscillator																																			
x	0	1	SSCG																																			
x	1	0	PLL																																			
0	1	1	Internal oscillator																																			
1	1	1	Sub oscillator																																			

www.DataSheet4U.com

- Note**
1. FOUTCLK is not influenced by stand-by modes of the microcontroller. It runs as long as it is enabled and the selected clock source operates. Application software must stop FOUTCLK by clearing the FOEN bit to minimize power consumption in stand-by modes.
  2. There is an upper frequency limit for the output buffer of the FOUTCLK function. Do not select a frequency higher than the maximum output buffer frequency. Please refer to the Data Sheet for the frequency limit.

**(5) ICC - IIC clock control register**

The 8-bit ICC register determines the I<sup>2</sup>C clock source and the clock divider setting for IICLK.

**Access** This register can be read/written in 8-bit units.

Writing to this register is protected by a special sequence of instructions. Please refer to “PHCMD - Command protection register” on page 150 for details.

**Address** FFFF F838<sub>H</sub>.

**Initial Value** 00<sub>H</sub>. The register is cleared by any reset.

7	6	5	4	3	2	1	0
0	IICPS2	IICPS1	IICPS0	0	0	IICSEL1	IICSEL0
R <sup>a</sup>	R/W	R/W	R/W	R <sup>a</sup>	R <sup>a</sup>	R/W	R/W

a) These bits may be written, but write is ignored.

**Table 4-17 ICC register contents**

Bit position	Bit name	Function																				
6 to 4	IICPS[2:0]	Divider setting for IICLK: <table border="1" style="margin-left: 20px;"> <thead> <tr> <th>IICPS2</th> <th>IICPS1</th> <th>IICPS0</th> <th>Clock divider setting</th> </tr> </thead> <tbody> <tr> <td>0</td> <td>0</td> <td>0</td> <td>1</td> </tr> <tr> <td>1</td> <td>0</td> <td>1</td> <td>1 / 3.5</td> </tr> <tr> <td>1</td> <td>1</td> <td>1</td> <td>1 / 4.5</td> </tr> <tr> <td colspan="3">other settings</td> <td>not supported</td> </tr> </tbody> </table>	IICPS2	IICPS1	IICPS0	Clock divider setting	0	0	0	1	1	0	1	1 / 3.5	1	1	1	1 / 4.5	other settings			not supported
IICPS2	IICPS1	IICPS0	Clock divider setting																			
0	0	0	1																			
1	0	1	1 / 3.5																			
1	1	1	1 / 4.5																			
other settings			not supported																			
1 to 0	IICSEL[1:0]	Clock source for IICLK: <table border="1" style="margin-left: 20px;"> <thead> <tr> <th>IICSEL1</th> <th>IICSEL0</th> <th>Clock source</th> </tr> </thead> <tbody> <tr> <td>0</td> <td>0</td> <td>Main oscillator</td> </tr> <tr> <td>0</td> <td>1</td> <td>SSCG / 2</td> </tr> <tr> <td>1</td> <td>x</td> <td>PLL</td> </tr> </tbody> </table>	IICSEL1	IICSEL0	Clock source	0	0	Main oscillator	0	1	SSCG / 2	1	x	PLL								
IICSEL1	IICSEL0	Clock source																				
0	0	Main oscillator																				
0	1	SSCG / 2																				
1	x	PLL																				

- Note**
- On release of WATCH, Sub-WATCH and STOP mode or when the SDC.SDCR bit is set, IICSEL[1:0] is cleared—the main oscillator is selected as the IIC clock source. Pay attention if PSM.OSCDIS = 1 before entering any of the above power save modes, because the main oscillator will be disabled. Therefore the I<sup>2</sup>C interface will have no clock supply after power save mode release.
  - The connected I<sup>2</sup>C interfaces must be disabled before switching IICPS[2:0]. To switch the IICPS bits, first disable the I<sup>2</sup>C interface by clearing the enable bit in the IIC control register, then switch IICPS[2:0] and finally re-enable the IIC interface.

### 4.2.4 Control registers for power save modes

The registers described in this section control the begin and end of the power save modes IDLE, WATCH, Sub-WATCH, and STOP.

Please refer to “Power save mode activation” on page 191 for instructions and an example on how to enter a power save mode.

**(1) PSM - Power save mode register**

The 8-bit PSM register specifies the power save mode and controls the clock generation after reset and Sub-WATCH mode release. In addition, it specifies the source of the Watch Calibration Timer clock WCTCLK.

**Access** This register can be read/written in 8-bit or 1-bit units.

**Address** FFFF F820<sub>H</sub>.

**Initial Value** 08<sub>H</sub>. The register is initialized by any reset.

Since the main oscillator is started by the internal firmware are reset, PSM enters the user’s program with the setting 00<sub>H</sub>.

7	6	5	4	3	2	1	0
0	CMODE	0	0	OSCDIS	0	PSM1	PSM0
R	R/W	R	R	R/W	R	R/W	R/W

**Table 4-18 PSM register contents (1/3)**

Bit position	Bit name	Function
6	CMODE	Watch Calibration Timer clock selection: 0: PCLK1. 1: Main oscillator.

Table 4-18 PSM register contents (2/3)

Bit position	Bit name	Function
3	OSCDIS	<p>Main oscillator disable/enable control during and after power save mode:  0: Main oscillator enabled.  1: Main oscillator disabled.</p> <hr/> <p><b>Caution:</b> If OSCDIS is set to 1, the main oscillator clock supply for the Watch Timer and the LCD Controller/Driver are stopped immediately. Thus these function stop their operation immediately as well, when the main oscillator is used as the clock source.</p> <hr/> <p>OSCDIS determines also the behaviour of the main oscillator during and after power save mode. The effect of this bit differs, depending on the power save mode.</p> <ul style="list-style-type: none"> <li>• Sub-WATCH mode</li> </ul> <p>During Sub-WATCH mode the main oscillator is always stopped. OSCDIS determines whether the main oscillator shall be started and chosen as CPU clock source or should remain stopped after Sub-WATCH mode release.</p> <p>0: Main oscillator enable.  The main oscillator is started after Sub-WATCH mode release and the CPU is supplied with the main oscillator clock, after the oscillation stabilization time has elapsed.</p> <p>1: Main oscillator disable.  The main oscillator remains stopped after Sub-WATCH release.  The CPU is supplied with the selected sub clock—either sub oscillator or internal oscillator (see bit PCC.SOSCP).  Since the reset value of OSCDIS is 1 and PCC.SOSCP is 0 the CPU starts always with the internal oscillator clock after reset release.  In both cases, the application software must start the main oscillator by clearing the OSCDIS bit. After the oscillator stabilization time has elapsed (see bit CGSTAT.OSCSTAT), the main oscillator can be used as system clock source by setting the PCC register accordingly.</p> <ul style="list-style-type: none"> <li>• WATCH mode</li> </ul> <p>This bit determines whether the main oscillator shall be stopped or remain in operation during WATCH mode. In either case after WATCH mode release the CPU is operating on the main oscillator.</p> <p>0: Main oscillator enable.  The main oscillator is operating during WATCH mode.  After WATCH mode release the CPU is supplied with the main oscillator clock.</p> <p>1: Main oscillator disable.  The main oscillator is stopped during WATCH mode.  After WATCH mode release the main oscillator is started and the CPU is supplied with the main oscillator clock, after the oscillation stabilization time has elapsed.</p> <p><b>Note:</b> In case the main oscillator is chosen as the CPU clock after power save mode release (i.e. after Sub-WATCH mode release with OSCDIS = 0 or after WATCH mode release) the start-up phase of the CPU differs depending on the history of the main oscillator status indicator CGSTAT.OSCSTAT.</p> <ul style="list-style-type: none"> <li>– main oscillator never used before  If the main oscillator has never been stable before entering and releasing power save mode (CGSTAT.OSCSTAT has never been set to 1), the CPU starts operation on the internal oscillator. After the main oscillator has become stable, it is used as the CPU clock.</li> <li>– main oscillator already used before  If the main oscillator has already been stable before entering and releasing power save mode (CGSTAT.OSCSTAT has already been set to 1), the CPU starts operation on main oscillator, after the main oscillator has become stable.</li> </ul>



Table 4-18 PSM register contents (3/3)

Bit position	Bit name	Function															
1 to 0	PSM[1:0]	<p>Power save mode selection:</p> <table border="1"> <thead> <tr> <th>PSM1</th> <th>PSM0</th> <th>Power save mode</th> </tr> </thead> <tbody> <tr> <td>0</td> <td>0</td> <td>IDLE</td> </tr> <tr> <td>0</td> <td>1</td> <td>STOP</td> </tr> <tr> <td>1</td> <td>0</td> <td>WATCH</td> </tr> <tr> <td>1</td> <td>1</td> <td>Sub-WATCH mode (main oscillator shut down)</td> </tr> </tbody> </table> <p>It is not possible to switch to IDLE or WATCH mode when the CPU is operated by a sub clock. If IDLE or WATCH mode is selected during sub clock operation, the Sub-WATCH mode will be entered.</p>	PSM1	PSM0	Power save mode	0	0	IDLE	0	1	STOP	1	0	WATCH	1	1	Sub-WATCH mode (main oscillator shut down)
PSM1	PSM0	Power save mode															
0	0	IDLE															
0	1	STOP															
1	0	WATCH															
1	1	Sub-WATCH mode (main oscillator shut down)															

**(2) PSC - Power save control register**

The 8-bit PSC register is used to enter or leave the power save mode specified in register PSM.

**Access** This register can be read/written in 8-bit or 1-bit units.

Writing to this register is protected by a special sequence of instructions. Please refer to “*PRCMD - PSC write protection register*” on page 173 for details.

**Address** FFFF F1FE<sub>H</sub>.

**Initial Value** 00<sub>H</sub>. The register is cleared by any reset.

7	6	5	4	3	2	1	0
0	NMIWDTM	NMIO0M	INTM	0	0	STP	0
R	R/W	R/W	R/W	R	R	R/W	R

**Table 4-19 PSC register contents**

Bit position	Bit name	Function
6	NMIWDTM	Mask for non-maskable interrupt request from WDT: 0: Permit NMIWDT request during power save mode. 1: Prohibit NMIWDT request during power save mode.
5	NMIO0M	Mask for non-maskable interrupt request 0: 0: Permit external NMIO request during power save mode 1: Prohibit external NMIO request during power save mode.
4	INTM	Mask for maskable interrupt request: 0: Permit maskable interrupt requests during power save mode. <sup>a</sup> 1: Prohibit maskable interrupt requests during power save mode.
1	STP	Enter/release power save mode: 0: Power save mode is released. 1: Power save mode is entered.

<sup>a)</sup> Only dedicated maskable interrupts have wake-up capability, refer to “*Power save modes description*” on page 179.

- Note**
1. If bits 7, 3, 2, and 0 are not set to 0, proper operation of the controller can not be guaranteed.
  2. PSC.STP is automatically cleared when the controller is awakened from power save mode.
  3. Entering a power save mode requires some attention, refer to “*Power save mode activation*” on page 191.

**(3) PRCMD - PSC write protection register**

The 8-bit PRCMD register protects the register PSC from inadvertent write access, so that the system does not stop in case of a program hang-up.

After data has been written to the PRCMD register, the first write access to register PSC is valid. All subsequent write accesses are ignored. Thus, the value of PSC can only be rewritten in a specified sequence, and illegal write access is inhibited.

**Access** This register can only be written in 8-bit units.

**Address** FFFF F1FC<sub>H</sub>

**Initial Value** The contents of this register is undefined.

7	6	5	4	3	2	1	0
x	x	x	x	x	x	x	x
W	W	W	W	W	W	W	W

---

**Caution** Before writing to PRCMD, make sure that all DMA channels are disabled. Otherwise, a direct memory access could occur between the write access to PRCMD and the write access to PSC. If that happens, the power save mode may not be entered.

---



---

**Caution** In case a high level programming language is used, make sure that the compiler translates the two write instructions to PRCMD and PSC into two consecutive assembler “store” instructions.

---

**(4) STBCTL- Stand-by control register**

The 8-bit STBCTL register is used to control the stand-by function of the voltage regulators.

**Access** This register can be read/written in 8-bit or 1-bit units.

Writing to this register is protected by a special sequence of instructions. Please refer to “*STBCTLP - Stand-by control protection register*” on page 174 for details.

**Address** FFFF FCA2<sub>H</sub>.

**Initial Value** 00<sub>H</sub>. The register is cleared by any reset.

7	6	5	4	3	2	1	0
0	0	0	0	0	0	STYCD	STBYMD
R	R	R	R	R	R	R/W	R/W

**Table 4-20 STBCTL register contents**

Bit position	Bit name	Function
1	STBYCD	Enable stand-by function of VDD50 and VDD51 voltage regulators: 0: Stand-by function disabled 1: Stand-by function enabled
2	STBYMD	Enable stand-by function of VDD52 voltage regulator: 0: Stand-by function disabled 1: Stand-by function enabled

In order to reduce the power consumption during power save modes the stand-by function of the voltage regulators should be enabled during the initialization.

If a dedicated microcontroller does not include any of the voltage regulators dedicated to the controls bit STBCTL.STBYCD and STBCTL.STBYMD, the status of the control bit has no function. Thus the initialization for enabling the stand-by functions by STBCTL = 03<sub>H</sub> can be retained. For further details concerning voltage regulators refer to “*Power Supply Scheme*” on page 1.

**(5) STBCTLP - Stand-by control protection register**

The 8-bit STBCTLP register protects the register STBCTL from inadvertent write access.

After data has been written to the STBCTLP register, the first write access to register STBCTL is valid. All subsequent write accesses are ignored. Thus, the value of STBCTL can only be rewritten in a specified sequence, and illegal write access is inhibited.

**Access** This register can only be written in 8-bit units.

**Address** FFFF FCAA<sub>H</sub>

**Initial Value** The contents of this register is undefined.

7	6	5	4	3	2	1	0
X	X	X	X	X	X	X	X
W	W	W	W	W	W	W	W

### 4.2.5 Clock monitor registers

The following registers are used to control the monitor circuits of the main oscillator clock and the sub oscillator clock.

Please refer to “*Operation of the Clock Monitors*” on page 198 for supplementary information.

**(1) CLMM - Main oscillator clock monitor mode register**

The 8-bit CLMM register is used to enable the monitor for the main oscillator clock.

**Access** This register can be read/written in 8-bit or 1-bit units.

Writing to this register is protected by a special sequence of instructions. Please refer to “*PRCMDCMM - CLMM write protection register*” on page 176 for details.

**Address** FFFF F870<sub>H</sub>.

**Initial Value** 00<sub>H</sub>. This register is cleared by any reset.

7	6	5	4	3	2	1	0
0	0	0	0	0	0	0	CLMEM
R	R	R	R	R	R	R	R/W

**Table 4-21 CLMM register contents**

Bit position	Bit name	Function
0	CLMEM	Clock monitor enable: 0: Clock monitor for main oscillator disabled. 1: Clock monitor for main oscillator enabled. This bit can only be cleared by reset.

**Note** CLMM.CLMEM can be set at any time. However, the clock monitor is only activated after the main oscillator has stabilized, indicated by CGSTAT.OSCSTAT = 1.

**(2) PRCMDCMM - CLMM write protection register**

The 8-bit PRCMDCMM register protects the register CLMM from inadvertent write access, so that the system does not stop in case of a program hang-up.

After data has been written to the PRCMDCMM register, the first write access to register CLMM is valid. All subsequent write accesses are ignored. Thus, the value of CLMM can only be rewritten in a specified sequence, and illegal write access is inhibited.

**Access** This register can only be written in 8-bit units.

**Address** FFFF FCB0<sub>H</sub>

**Initial Value** The contents of this register is undefined.

7	6	5	4	3	2	1	0
X	X	X	X	X	X	X	X
W	W	W	W	W	W	W	W

After writing to the PRCMDCMM register, you are permitted to write once to CLMM. The write access to CLMM must happen with the immediately following instruction.

---

**Caution** In case a high level programming language is used, make sure that the compiler translates the two write instructions to PRCMDCMM and CLMM into two consecutive assembler “store” instructions.

---

**(3) CLMS - Sub oscillator clock monitor register**

The 8-bit CLMS register is used to enable the monitor for the sub oscillator clock.

**Access** This register can be read/written in 8-bit or 1-bit units.

Writing to this register is protected by a special sequence of instructions. Please refer to “*PRCMDCMS - CLMS write protection register*” on page 177 for details.

**Address** FFFF F878<sub>H</sub>.

**Initial Value** 00<sub>H</sub>. The register is initialized by any reset.

7	6	5	4	3	2	1	0
0	0	0	0	0	0	0	CLMES
R	R	R	R	R	R	R	R/W

**Table 4-22 CLMS register contents**

Bit position	Bit name	Function
0	CLMES	Clock monitor enable: 0: Clock monitor for sub oscillator disabled. 1: Clock monitor for sub oscillator enabled. This bit can only be cleared by reset.

**Note** Setting CLMS.CLMES to 1 does not start the sub oscillator clock monitor. To start the clock monitor CLMCS.CMRT has to be set to 1 afterwards.

CLMCS.CMRT must not be set before the sub oscillator has stabilized.

**(4) PRCMDCMS - CLMS write protection register**

The 8-bit PRCMDCMS register protects the register CLMS from inadvertent write access, so that the system does not stop in case of a program hang-up.

After data has been written to the PRCMDCMS register, the first write access to register CLMS is valid. All subsequent write accesses are ignored. Thus, the value of CLMS can only be rewritten in a specified sequence, and illegal write access is inhibited.

**Access** This register can only be written in 8-bit units.

**Address** FFFF FCB2<sub>H</sub>

**Initial Value** The contents of this register is undefined.

7	6	5	4	3	2	1	0
X	X	X	X	X	X	X	X
W	W	W	W	W	W	W	W

After writing to the PRCMDCMS register, you are permitted to write once to CLMS. The write access to CLMS must happen with the immediately following instruction.

**Caution** In case a high level programming language is used, make sure that the compiler translates the two write instructions to PRCMDCMS and CLMS into two consecutive assembler “store” instructions.

**(5) CLMCS - Sub oscillator clock monitor control register**

The 8-bit CLMCS register is used to start the monitor of the sub oscillator clock.

**Access** This register can be read/written in 8-bit or 1-bit units.

**Address** FFFF F71A<sub>H</sub>.

**Initial Value** 00<sub>H</sub>. The register is initialized by any reset.

7	6	5	4	3	2	1	0
0	0	0	0	0	0	0	CMRT
R	R	R	R	R	R	R	R/W

**Table 4-23 CLMCS register contents**

Bit position	Bit name	Function
0	CMRT	Sub oscillator clock monitor start: 0: Clock monitor for sub oscillator off. 1: Clock monitor for sub oscillator on.

Setting CLMCS.CMRT to 1 generates a trigger to activate the sub oscillator clock monitor.

- Note**
1. The sub oscillator clock monitor can only be started, if it has been enabled by setting CLMS.CLMES to 1.
  2. Make sure that the sub oscillator stabilization time has elapsed before starting the clock monitor.

**Caution** Starting the sub oscillator clock monitor requires a special procedure. Refer to “*Operation of the Clock Monitors*” on page 198.



## 4.3 Power Save Modes

This chapter describes the various power save modes and how they are operated. For details see:

- “Power save modes description“ on page 179
- “Power save mode activation“ on page 191
- “CPU operation after power save mode release“ on page 193

### 4.3.1 Power save modes description

This section explains the various power save modes in detail.

#### During power save mode

During all power save modes, the pins behave as follows:

- All output pins retain their function. That means all outputs are active, provided the required clock source is available.
- All input pins remain as input pins.
- All input pins with stand-by wake-up capability remain active, the function of all others is disabled.

During all power save modes, the main and sub oscillator clock monitors remain active, provided that the monitored oscillator is operating. If the oscillator is switched off during stand-by, the associated clock monitor enters stand-by as well.

#### Wake-up signals

The following signals can awake the controller from power save modes IDLE, WATCH, Sub-WATCH, STOP:

- Reset signals
  - external  $\overline{\text{RESET}}$
  - Power-On-Clear reset RESPOC
  - Watchdog Timer reset RESWDT
 

The Watchdog Timer must be configured to generate the reset WDTRES in case of overflow (WDTM.WDTMODE = 1) and it's input clock WDTCLK must be active during stand-by.
  - Clock monitors resets RESCMM, RESCMS
 

The main oscillator respectively sub oscillator must be active during stand-by.
- Non maskable interrupts
  - NMI0
 

The appropriate port must be configured correctly.
  - NMIWDT
 

The Watchdog Timer must be configured to generate the in case of overflow (WDTM.WDTMODE = 0) and it's input clock WDTCLK must be active during stand-by.
- Maskable interrupts
  - external interrupts INTPn
 

The appropriate port must be configured correctly.
  - CAN wake up interrupts INTcWUP
 

The appropriate port and the CAN (CnCTRL.PSMODE[1:0] = 01<sub>B</sub>) must be configured correctly.

- Watch Timer interrupts INTWTnUV  
The Watch Timer clock WTCLK must be active and the Watch Timer must be enabled.
- Watch Calibration Timer interrupt INTTM01  
The Watch Calibration Timer clock WCTCLK must be active and the Watch Calibration Timer must be enabled.
- Voltage Comparators interrupts INTVCn  
The Voltage Comparators must be enabled.
- CSIB receive interrupts INTCBnR  
The CSIB must be operated in slave reception mode and the appropriate ports must be configured correctly.

Note that not all these signals are available in all power save modes.

The following signals can awake the controller from the power save mode HALT, provided the appropriate ports and modules are correctly configured and the required clocks are active:

- all reset signals
- the non-maskable interrupts NMI0, NMIWDT
- all maskable interrupts

To grant wake-up capability to maskable interrupts these interrupts have to be unmasked by setting the dedicated mask flags xxMK to 0 (refer to “*Interrupt Controller (INTC)*” on page 201).

A general disable of maskable interrupts acknowledgement (“DI”, i.e. PSW.ID = 1) does not affect their wake-up capability.

**After power save mode** After power save mode release, the clock source for CPU operation should be checked. If the user application issues a wake-up request immediately after power save mode request, the power save mode may not be entered and the clock sources remain as programmed before the stand-by request.

After power save mode release, the same procedure as for system reset is required to set up the clock supply for the application.

**Note** In the following tables the clock status "operates" does not necessarily mean that the functions that use this clock source are operating as well.

**(1) HALT mode**

The HALT mode can be entered from normal run mode. In HALT mode, all clock settings remain unchanged. Only the CPU clock is suspended and hence program execution.

**Table 4-24 Clock Generator status in HALT mode**

Item	Status	Remarks
Main oscillator	unchanged	
Sub oscillator	operates	
Internal oscillator	operates	
SSCG	unchanged	
PLL	unchanged	
VBCLK (CPU system)	suspended	Clock setup is unchanged
IICLK	unchanged	
PCLK0, PCLK1	unchanged	
PCLK2...PCLK15	unchanged	
SPCLK0, SPCLK1	unchanged	
SPCLK2...SPCLK15	unchanged	
FOUTCLK	unchanged	
WTCLK / LCDCLK	unchanged	
WDTCLK	unchanged	
WCTCLK	unchanged	

The HALT mode can be released by any unmasked maskable interrupt, NMI or system reset.

On HALT mode release, all clock settings remain unchanged. The CPU clock resumes operation.

**(2) IDLE mode**

The IDLE mode can be entered from any run mode. The main oscillator must be operating. IDLE mode can not be entered if the CPU is clocked by the sub or internal oscillator.

In IDLE mode, the clock distribution is stopped (refer to the “Standby” switches in *Figure 4-1, “Block diagram of the Clock Generator,”* on page 140).

The states of all clock sources, that means, sub and internal oscillator as well as SSCG and PLL, remain unchanged. If a clock source was operating before entering IDLE mode, it continues operating.

**Table 4-25 Clock Generator status in IDLE mode**

Item	Status	Remarks
Main oscillator	unchanged	
Sub oscillator	operates	
Internal oscillator	operates	
SSCG	unchanged	
PLL	unchanged	
VBCLK (CPU system)	stopped	
IICLK	stopped	
PCLK0, PCLK1	stopped	
PCLK2...PCLK15	stopped	
SPCLK0, SPCLK1	stopped	
SPCLK2...SPCLK15	stopped	
FOUTCLK	unchanged	
WTCLK / LCDCLK	unchanged	
WDTCLK	unchanged	
WCTCLK	unchanged/stopped	Depends on clock selector PSM.CMODE

The IDLE mode can be released by

- the unmasked maskable interrupts INT<sub>Pn</sub>, INT<sub>Cn</sub>WUP, INT<sub>WTn</sub>UV, INT<sub>TM01</sub>, INT<sub>VCn</sub>, INT<sub>CBn</sub>R
- NMI0, NMIWDT
- $\overline{\text{RESE\T}}$ , RESPOC, RESWDT, RESCMM, RESCMS

On IDLE mode release, the CPU clock and peripheral clocks are supplied by the main oscillator.

**(3) WATCH mode**

In WATCH mode, the clock supply for the CPU system and the majority of peripherals is stopped.

The main oscillator continues operation. PLL and SSCG are stopped. By default, internal oscillator and sub oscillator operation is not affected. For exceptions see *“Internal and sub oscillator operation“* on page 196.

**Table 4-26 Clock Generator status in WATCH mode**

Item	Status	Remarks
Main oscillator	unchanged/stopped	Stopped if PSM.OSCDIS = 1
Sub oscillator	operates	
Internal oscillator	operates/stopped	Stopped if WCC.ROSTP = 1
SSCG	stopped	
PLL	stopped	
VBCLK (CPU system)	stopped	
IICLK	stopped	
PCLK0, PCLK1	stopped	
PCLK2...PCLK15	stopped	
SPCLK0, SPCLK1	stopped	
SPCLK2...SPCLK15	stopped	
FOUTCLK	unchanged/stopped	Stopped, if the selected clock source stops
WTCLK / LCDCLK	unchanged/stopped	Stopped, if the selected clock source stops
WDTCLK	unchanged/stopped	Stopped, if the selected clock source stops
WCTCLK	unchanged/stopped	Depends on clock selector PSM.CMODE

The WATCH mode can be released by

- the unmasked maskable interrupts INTPn, INTCnWUP, INTWTnUV, INTTM01, INTVCn, INTCBnR
- NMI0, NMIWDT
- $\overline{\text{RESET}}$ , RESPOC, RESWDT, RESCMM, RESCMS

On WATCH mode release, the CPU starts operation using the following clocks:

- if PSM.OSCDIS = 1: sub clock source selected before WATCH mode was entered, that means, either internal oscillator or sub oscillator (defined by PCC.SOSCP)
- if PSM.OSCDIS = 0: main oscillator

If the internal oscillator was stopped before entering the WATCH mode, the oscillation stabilization time for the internal oscillator is ensured by hardware after WATCH mode release.

PLL and SSCG remain stopped after WATCH release.

Peripheral clock supply is switched to main oscillator supply, if PSM.OSCDIS = 0, otherwise the internal oscillator is used for peripheral clocks.

**(4) Sub-WATCH mode**

In Sub-WATCH mode, the clock supply for the CPU and the majority of peripherals is stopped. Main oscillator, PLL, and SSCG are stopped. By default, internal oscillator and sub oscillator operation is not influenced. For exceptions see *"Internal and sub oscillator operation"* on page 196.

**Table 4-27 Clock Generator status in Sub-WATCH mode**

Item	Status	Remarks
Main oscillator	stopped	
Sub oscillator	operates	
Internal oscillator	operates/stopped	Stopped if WCC.ROSTP = 1
SSCG	stopped	
PLL	stopped	
VBCLK (CPU system)	stopped	
IICLK	stopped	
PCLK0, PCLK1	stopped	
PCLK2...PCLK15	stopped	
SPCLK0, SPCLK1	stopped	
SPCLK2...SPCLK15	stopped	
FOUTCLK	unchanged	Stopped, if the selected clock source stops
WTCLK / LCDCLK	unchanged	Stopped, if the selected clock source stops
WDTCLK	unchanged/stopped	Stopped, if the selected clock source stops
WCTCLK	stopped	

The Sub-WATCH mode can be released by

- the unmasked maskable interrupts INTpN, INTCnWUP, INTWTnUV, INTVCn, INTCBnR
- NMI0, NMIWDT
- $\overline{\text{RESE}}\overline{\text{T}}$ , RESPOC, RESWDT, RESCMM, RESCMS

On Sub-WATCH mode release, the CPU starts operation using the following clocks:

- if PSM.OSCDIS = 1: sub clock source selected before Sub-WATCH mode was entered, that means, either internal oscillator or sub oscillator (defined by PCC.SOSCP)
- if PSM.OSCDIS = 0: main oscillator

If the internal oscillator was stopped before entering the Sub-WATCH mode, the oscillation stabilization time for the internal oscillator is ensured by hardware after Sub-WATCH release.

PLL and SSCG remain stopped after Sub-WATCH release.

Peripheral clock supply is switched to main oscillator supply, if PSM.OSCDIS = 0, otherwise the internal oscillator is used for peripheral clocks.

**(5) STOP mode**

In STOP mode, all clock sources are stopped, except sub and internal oscillator. These can be configured in register WCC to stop as well. No clock is available, and no internal self-timed processes operates.

**Table 4-28 Clock Generator status in STOP mode**

Item	Status	Remark
Main oscillator	stopped	
Sub oscillator	operates/stopped	Stopped if WCC.SOSTP = 1
Internal oscillator	operates/stopped	Stopped if WCC.ROSTP = 1
SSCG	stopped	
PLL	stopped	
VBCLK (CPU system)	stopped	
IICLK	stopped	
PCLK0, PCLK1	stopped	
PCLK2...PCLK15	stopped	
SPCLK0, SPCLK1	stopped	
SPCLK2...SPCLK15	stopped	
FOUTCLK	stopped	
WTCLK / LCDCLK	stopped	
WDTCLK	unchanged/stopped	Stopped, if the selected clock source stops
WCTCLK	stopped	

The STOP mode can be released by

- the unmasked maskable interrupts INTPn, INTCnWUP, INTVCn, INTCBnR
- NMI0, NMIWDT
- $\overline{\text{RESET}}$ , RESPOC, RESWDT, RESCMM, RESCMS

On STOP mode release, the CPU clock and peripheral clocks are supplied by the main oscillator.

**(6) Clock status summary**

Table 4-29 on page 186 summarizes the status of all clocks delivered by the Clock Generator in the different states.

“Normal” describes all status except reset and power save modes.

The HALT mode is not listed in the table. It does not change any of the table items, but stops only the CPU core operation.

Below the table you find the explanation of the terms used in the table.

Table 4-29 Status of oscillators and Clock Generator output clocks (1/2)

Macro	Clock signal	Condition	Reset	Reset release	Normal	IDLE	IDLE release	STOP	STOP release	WATCH	WATCH release	Sub-WATCH	Sub-WATCH
<b>Oscillators</b>													
Main-osc	-	OSCDIS=0	n.a.	n.a.	on	on	on	stop	on	on	on	stop	on
		OSCDIS=1	stop	stop	stop	n.a.	n.a.	stop	on	stop	n.a.	stop	stop
Sub-osc	-	SOSTP=1	n.a.	n.a.	on	on	on	stop	on	on	on	on	on
		SOSTP=0	on	on	on	on	on	stop	on	stop	on	stop	on
Internal-osc	-	ROSTP=1	n.a.	n.a.	on	on	on	stop	on	stop	on	stop	on
		ROSTP=0	on	on	on	on	on	stop	on	stop	on	stop	on
<b>SSCG/PLL</b>													
SSCG	-	-	stby	stby	scen	scen	scen	stby	stby	stby	stby	stby	stby
PLL	-	-	stby	stby	pllen	pllen	pllen	stby	stby	stby	stby	stby	stby
<b>Clock Generator output clocks</b>													
CPU system clock	VBCLK	CLS/CKS = 000 <sub>B</sub>	n.a.	n.a.	MOCLK	MOCLK	MOCLK	MOCLK	MOCLK	MOCLK	MOCLK	MOCLK	MOCLK
		SSCCLK			n.a.	n.a.	n.a.	n.a.	n.a.	n.a.	n.a.	n.a.	n.a.
		PLLCLK			n.a.	n.a.	n.a.	n.a.	n.a.	n.a.	n.a.	n.a.	n.a.
Peripheral clocks	PCLK0 PCLK1	CLS/CKS = 1xx <sub>B</sub>	off	ROCLK	SBCLK	MOCLK	MOCLK	MOCLK	MOCLK	MOCLK	MOCLK	MOCLK	MOCLK
		PERIC=0	off	MOCLK <sup>a</sup>	MOCLK	MOCLK	MOCLK	MOCLK	MOCLK	MOCLK	MOCLK	MOCLK	MOCLK
	PERIC=1	n.a.	n.a.	PLLCLK	PLLCLK	PLLCLK	PLLCLK	PLLCLK	PLLCLK	PLLCLK	PLLCLK	PLLCLK	PLLCLK
	PCLK2 - PCLK15	-	off	MOCLK <sup>a</sup>	MOCLK	MOCLK	MOCLK	MOCLK	MOCLK	MOCLK	MOCLK	MOCLK	MOCLK
SPCLK0 SPCLK1	SPCLK0 SPCLK1	SPSEL[1:0]=00 <sub>B</sub>	off	MOCLK <sup>a</sup>	MOCLK	MOCLK	MOCLK	MOCLK	MOCLK	MOCLK	MOCLK	MOCLK	MOCLK
		SPSEL[1:0]=01 <sub>B</sub>	n.a.	n.a.	PLLCLK	PLLCLK	PLLCLK	PLLCLK	PLLCLK	PLLCLK	PLLCLK	PLLCLK	PLLCLK
	SPSEL[1:0]=11 <sub>B</sub>	off	MOCLK <sup>a</sup>	MOCLK	MOCLK	MOCLK	MOCLK	MOCLK	MOCLK	MOCLK	MOCLK	MOCLK	MOCLK
SPCLK2 - SPCLK15	SPCLK2 - SPCLK15	SPSEL1=0	off	MOCLK <sup>a</sup>	MOCLK	MOCLK	MOCLK	MOCLK	MOCLK	MOCLK	MOCLK	MOCLK	MOCLK
		SPSEL1=1	n.a.	n.a.	PLLCLK	PLLCLK	PLLCLK	PLLCLK	PLLCLK	PLLCLK	PLLCLK	PLLCLK	PLLCLK



Table 4-29 Status of oscillators and Clock Generator output clocks (2/2)

Macro	Clock signal	Condition	Reset	Reset release	Normal	IDLE	IDLE release	STOP	STOP release	WATCH	WATCH release	Sub-WATCH	Sub-WATCH
Watch Calibration Timer	WCTCLK	CMODE=0	off	MOCLK <sup>a</sup>	PCLK1	off	PCLK1	off	PCLK1	off	PCLK1	off	PCLK1
		CMODE=1	n.a.	n.a.	MOCLK	MOCLK	MOCLK	off	MOCLK	MOCLK	MOCLK	off	MOCLK
Watchdog Timer	WDTCLK	SOSC=0	off	ROSK	ROSK	off	ROSK	off	ROSK	ROSK (off <sup>b</sup> )	ROSK	off	ROSK
		WDTSELO=0	n.a.	n.a.	n.a.	ROSK	ROSK (off <sup>b</sup> )	off	ROSK (off <sup>b</sup> )	ROSK (off <sup>b</sup> )	ROSK (off <sup>b</sup> )	ROSK (off <sup>b</sup> )	ROSK (off <sup>b</sup> )
		SOSC=1	n.a.	n.a.	SOCLK	off	SOCLK	off	SOCLK	SOCLK	SOCLK	off	SOCLK
		WDTSELO=0	n.a.	n.a.	MOCLK	off	MOCLK	off	MOCLK	MOCLK	MOCLK	off	MOCLK
I <sup>2</sup> C	IICLK	WDTSELO=0	off	MOCLK <sup>a</sup>	MOCLK	MOCLK	MOCLK	off	MOCLK	MOCLK	MOCLK	off	MOCLK
		WDTSELO=1	n.a.	n.a.	SSCSCK	SSCSCK	off	SSCSCK	n.a.	n.a.	n.a.	off	n.a.
		WDTSELO=1	n.a.	n.a.	PLLSCK	PLLSCK	off	PLLSCK	n.a.	n.a.	n.a.	off	n.a.
Watch Timer LCD-C/D	WTCLK LCDCLK	WTSOS/WTSELO=00 <sub>B</sub>	ROSK	ROSK	ROSK	ROSK	ROSK (off <sup>b</sup> )	ROSK (off <sup>b</sup> )	ROSK (off <sup>b</sup> )	ROSK (off <sup>b</sup> )	ROSK (off <sup>b</sup> )	ROSK (off <sup>b</sup> )	ROSK (off <sup>b</sup> )
		WTSOS/WTSELO=10 <sub>B</sub>	n.a.	n.a.	SOCLK	SOCLK	SOCLK (off <sup>b</sup> )	SOCLK (off <sup>b</sup> )	SOCLK (off <sup>b</sup> )	SOCLK (off <sup>b</sup> )	SOCLK (off <sup>b</sup> )	SOCLK (off <sup>b</sup> )	SOCLK (off <sup>b</sup> )
		WTSOS/WTSELO=x1 <sub>B</sub>	n.a.	n.a.	MOCLK	MOCLK	MOCLK	MOCLK (off <sup>c</sup> )	MOCLK (off <sup>c</sup> )	MOCLK (off <sup>c</sup> )	MOCLK (off <sup>c</sup> )	MOCLK (off <sup>c</sup> )	MOCLK (off <sup>c</sup> )
Port	FOUTCLK	FOSOS/FOCKS1/0=x00 <sub>B</sub>	off	off	MOCLK	MOCLK	MOCLK	MOCLKLCD-C/D	MOCLKLCD-C/D	MOCLK	MOCLK	MOCLK	MOCLK
		FOSOS/FOCKS1/0=x01 <sub>B</sub>	n.a.	n.a.	SSCCLK	SSCCLK	SSCCLK	SSCCLK	SSCCLK	SSCCLK	SSCCLK	SSCCLK	SSCCLK
		FOSOS/FOCKS1/0=x10 <sub>B</sub>	n.a.	n.a.	PLLCLK	PLLCLK	PLLCLK	PLLCLK	PLLCLK	PLLCLK	PLLCLK	PLLCLK	PLLCLK
		FOSOS/FOCKS1/0=011 <sub>B</sub>	n.a.	n.a.	ROCLK	ROCLK	ROCLK	ROCLK	ROCLK	ROCLK	ROCLK	ROCLK	ROCLK
		FOSOS/FOCKS1/0=111 <sub>B</sub>	n.a.	n.a.	SOCLK	SOCLK	SOCLK	SOCLK	SOCLK	SOCLK	SOCLK	SOCLK	SOCLK

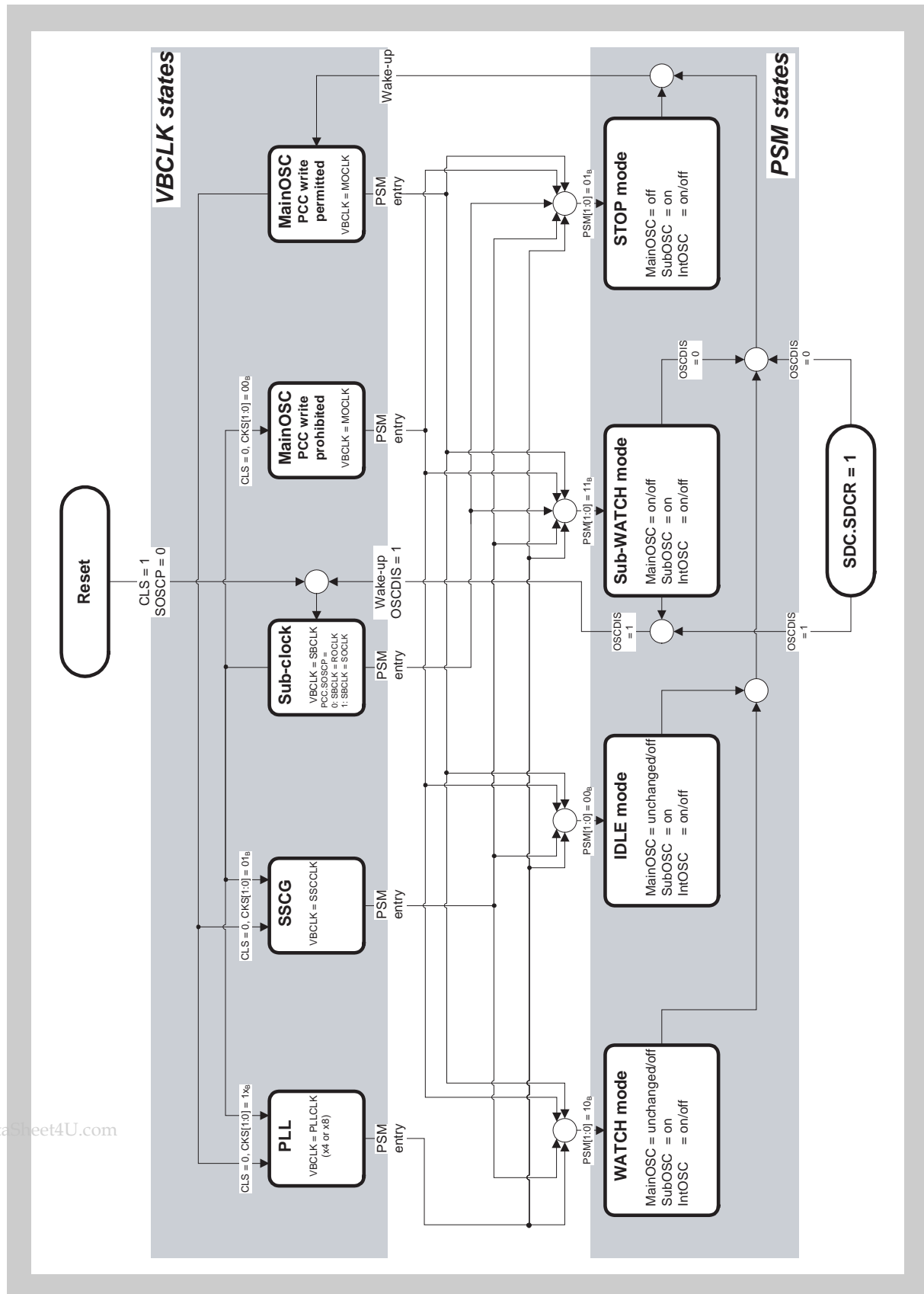
a) After reset release these clocks are supplied with the internal ROCLK. When the main oscillator is stable, these clocks are automatically changed to MOCLK.  
 b) ROCLK (SOCLK) remains clock source, but internal oscillator (sub oscillator) may be stopped in the respective power save mode by WCC.ROSTP = 1 (WCC.SOSTP = 1).  
 c) MOSCLK remains clock source, but main oscillator may be stopped in the respective power save mode by PSM.OSCDIS = 1.

In the table following terms are used:

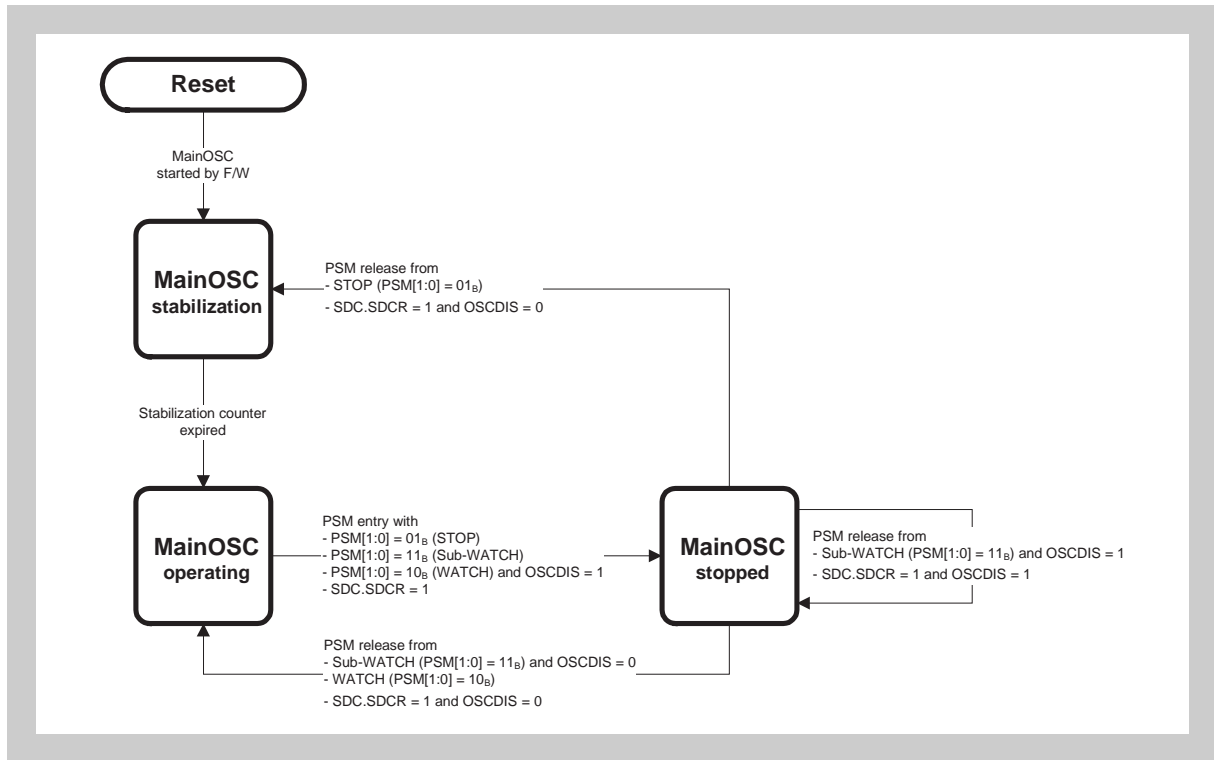
stop:	Oscillator stopped	MOCLK:	Main oscillator clock
on:	Oscillator operating	ROCLK:	Internal oscillator clock
stby:	PLL/SSCG in standby, no clock output	SOCLK:	Sub oscillator clock
pllen/scen:	PLL/SSCG generates clock output	SBCLK:	Sub clock – PCC.SOSCP = 0: ROCLK – PCC.SOSCP = 1: SOCLK
off:	Clock inactive	PLLCLK:	PLL output clock
n.a.	not applicable (control bits are determined by hardware)	SSCGCLK:	SSCG output clock

### 4.3.2 Clock Generator state transitions

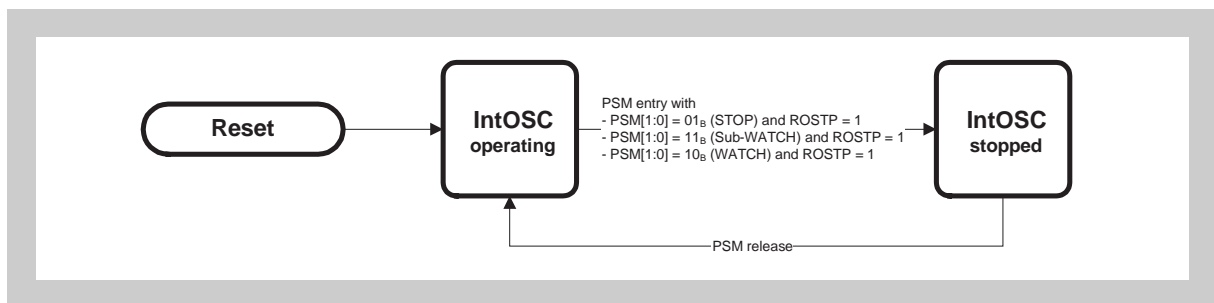
#### (1) VBCLK state transitions



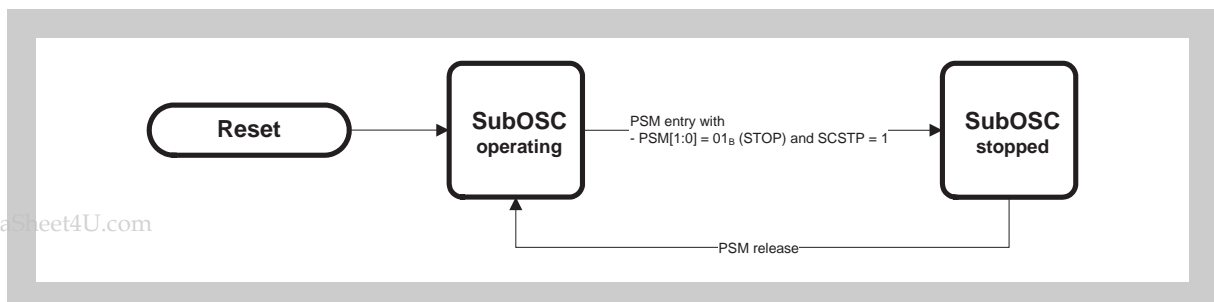
(2) Main oscillator state transitions



(3) Internal oscillator states



(4) Sub oscillator states



### 4.3.3 Power save mode activation

In the following procedures for securely entering a power save mode are described.

**Stepper-C/D shut down** In order to minimize power consumption during power save modes the Stepper Motor Controller/Driver needs to be shut down in a special sequence. Refer to “*MCNTCn0, MCNTCn1 - Timer mode control registers*” on page 887.

#### (1) HALT mode

For entering the HALT mode proceed as follows:

1. Mask all interrupts which shall not have wake-up capability by  $xxIC.xxMK = 1$  and discard all possibly pending interrupts by  $xxIC.xxIF = 0$ .
2. Unmask all interrupts which shall have wake-up capability by  $xxIC.xxMK = 0$ .
3. Execute the “halt” instruction.
4. Insert at least five “nop” instruction after the “halt” instruction.

#### (2) WATCH, Sub-WATCH, STOP and IDLE mode

For entering these power save mode proceed as follows:

1. In case maskable interrupts shall be used for wake-up unmask these interrupts by  $IMRm.xxMK = 0$  (refer to “*IMR0 to IMR6 - Interrupt mask registers*” on page 252).
2. Mask all other interrupts, i.e.
  - none wake-up capable interrupts
  - wake-up capable interrupts which shall not be used for wake-up by  $IMRm.xxMK = 1$ . This prevents the power save mode entry procedure from being interrupted by these interrupts.
3. It is recommended to disable interrupt acknowledgement by the “di” instruction.
4. Specify the desired power save mode in  $PSM.PSM[1:0]$ .
5. Enable writing to the write-protected register PSC by writing to PRCMD.
6. Write to PSC for specifying permitted wake-up events and activate the power save mode by setting  $PSC.STP$  to 1.

**Example** The following example shows how to initialize and enter a WATCH, Sub-WATCH, STOP or IDLE power save mode.

First the desired power save mode is specified (WATCH mode in this example, that means  $PSM.PSM[1:0] = 10_B$ ).

The PSC register is a write-protected register, and the PRCMD register is the corresponding write-enable register. PRCMD has to be written immediately before writing to PSC.

In this example, maskable interrupts are permitted to leave the power save mode.

```

1. // xxIC.xxMK = 0 // mask all none wake-up interrupts
2. // xxIC.xxMK = 1 // unmask all wake-up interrupts
3. di
4. mov 0x02,r10
5. st.b r10,PSM[r0] // PSM.PSM[1:0] = 10B: WATCH mode
6. mov 0x62,r10
7. st.b r10,PRCMD[r0] // enable write to PSC
8. st.b r10,PSC[r0] // wake up by maskable interrupts
// and enter power save mode
9. nop
10. nop
11. nop
12. nop
13. nop
14. // after wake-up
15. // xxIC.xxIF = 0 // discard all unwanted pending interrupts
16. ei

```

Be aware of the following notes when entering power save mode using the above sequence:

- Note**
1. It is recommended to disable maskable interrupt acknowledgement in general by the “di” instruction (step 3.) to prevent any pending interrupt from being served during the power save mode set-up procedure. This makes it also possible to completely control the process after wake-up, since no pending interrupt will be unintentional acknowledged. Before enabling interrupt acknowledgement by the “ei” instruction (step 16.) after wake-up, all unwanted interrupts can be discarded by setting xxIC.xxIF = 0 (step 15.).  
Since the wake-up capability of the unmasked wake-up interrupts is not affected by “di”, such interrupts shall be masked (step 1.) by IMRm.xxMK = 1.
  2. The store instruction to PRCMD will not allow to acknowledge any interrupt until processing of the subsequent instruction is complete. That means, an interrupt will not be acknowledged before the store to PSC. This presupposes that both store instructions are performed consecutively, as shown in the above example.  
If another instruction is placed between steps 7 and 8, an interrupt request may be acknowledged in between, and the power save mode may not be entered.  
However if the “di” instruction was executed before (step 3.) none interrupt will be acknowledged anyway.
  3. At least 5 “nop” instructions must follow the power down mode setting, that means after the write to PSC. The microcontroller requires this time to enter power down mode.
  4. The data written to the PRCMD register must be the same data that shall be written to the write-protected register afterwards.  
The above example ensures this method, since the contents of r10 is first written to PRCMD and then immediately to PSC.

5. Make sure that all DMA channels are disabled. Otherwise a DMA could happen between steps 7 and 8, and the power down mode may not be entered at all.  
Further on do not perform write operations to PRCMD and write-protected registers by DMA transfers.
6. No special sequence is required for reading the PSC register.

---

**Caution** If a wake-up event occurs within the 5 “nop” instructions after a power save mode request (PSC.STP = 1) the microcontroller is immediately returning from power save mode, but may have not at all or only partly entered the power save mode. Following three situations can occur:

1. power save mode request not accepted  
wake-up configuration not established, PLL/SSCG are operating
2. power save mode request accepted, but not completed  
wake-up configuration established, but PLL/SSCG operating
3. power save mode request accepted and completed  
wake-up configuration established, PLL/SSCG stopped

---

#### 4.3.4 CPU operation after power save mode release

**Clock Generator re-configuration** The clock for the CPU system can be switched only once after reset, power save mode release, or the default clock setup request (SDC.SDCR = 1).

The clocks for the Watchdog Timer, Watch Timer, and LCD Controller/Driver can be switched only once after system reset.

Access to peripherals that have no clock supply in Sub-WATCH mode may cause system deadlock. This can happen if the main oscillator remains disabled.

**Wake-up configuration** Wake-up configuration established means that all registers and clock paths are set to their wake-up state.

The software should check after wake-up whether the expected wake-up configuration has been completely established. This can be achieved by observing

- following clock generator registers, which are modified by power save mode entry and wake-up
  - after WATCH, Sub-WATCH, STOP wake-up following bits are cleared: CKC.PLEN, CKC.SCEN, CKC.PERIC, SCC.SEL, ICC.SEL
  - after IDLE or STOP wake-up following bits are cleared: PCC.CLS, PCC.CKS
  - after Sub-WATCH or WATCH wake-up  
PCC.CLS/PCC.CKS = 000<sub>B</sub>, if PSM.OSCDIS = 0  
PCC.CLS/PCC.CKS = 100<sub>B</sub>, if PSM.OSCDIS = 1
- the “completed power save mode” bit CGSTAT.CMPLPSM
  - CGSTAT.CMPLPSM = 0 if a power save mode request has been accepted but not completed, wake-up configuration established, but PLL/

- SSCG operating (provided that CGSTAT.CMPLPSM = 1 before power save mode request)
- CGSTAT.CMPLPSM = 1 if a power save mode has been completely entered, wake-up configuration established, PLL/SSCG stopped (provided that a power save mode request has been accepted before, i.e. CGSTAT.CMPLPSM = 1 →0)

Note that CGSTAT.CMPLPSM is set to 0 if a power save mode request is accepted. If it was 0 before it does not change it's state.

Table 4-30 summarizes the different configurations.

Table 4-30 Power save mode wake-up configurations

CGSTAT.CMPLPSM		Registers and clock paths <sup>a</sup>	Configuration after wake-up
before PSM-RQ <sup>b</sup>	after wake-up		
0	0	not changed	PSM-RQ not accepted
		changed	PSM-RQ accepted configuration done, but PLL/SSCG operating
	1	not changed	not possible
		changed	PSM-RQ accepted configuration done, PLL/SSCG off
1	0	not changed	not possible
		changed	PSM-RQ accepted configuration done, but PLL/SSCG operating
	1	not changed	PSM-RQ not accepted
		changed	PSM-RQ accepted configuration done, PLL/SSCG off

- a) A change of a register's contents can only be taken as an indicator if it is before power save mode request different to the wake-up configuration.
- b) PSM-RQ: power save mode request (PSC.STP = 1)

If the power save mode request was accepted the entire clock generator can be reconfigured after wake-up. Afterwards set CKC.PLLEN = 1 and CKC.SCEN = 1 and wait the stabilization times before using the PLL and SSCG as clock sources.

**Set default clock**

If the power save mode wake-up configuration is entered by setting SDC.SDCR = 1 all registers and clock paths settings are performed, but the PLL and SSCG are still operating, that means CGSTAT.PSM remains unchanged.

The entire clock generator can be reconfigured, i.e. all registers can be written.

If the SSCG configuration shall not be changed, set CKC.PLLEN = 1 and CKC.SCEN = 1. The SSCG respectively PLL can be used immediately as clock sources without waiting the stabilization times.

If the SSCG configuration shall be changed, rewrite the SSCG configuration registers, set CKC.PLLEN = 1 and CKC.SCEN = 1. In this case make sure the stabilization times has elapsed before using the PLL or SSCG as clock sources.



**After IDLE and STOP** On return from IDLE or STOP mode, the bits PCC.CLS, PCC.CKS1, and PCC.CKS2 are cleared. After IDLE mode, the main oscillator is still running; on return from STOP mode, it is automatically started.

As a result, the main oscillator is chosen and enabled as the source for the CPU system clock VBCLK.

**After WATCH** In WATCH mode the main oscillator operation depends on PSM.OSCDIS:

- If PSM.OSCDIS was 0 before entering WATCH mode the main oscillator remains active. After WATCH mode release the main oscillator is chosen as the CPU system clock.
- If PSM.OSCDIS was 1 before entering WATCH mode the main oscillator is stopped during WATCH mode. After WATCH mode release the main oscillator is automatically started, the oscillator stabilization time is waited and the main oscillator is chosen as the CPU system clock.

**After Sub-WATCH** In Sub-WATCH mode the main oscillator is stopped. On return from Sub-WATCH, PCC.CLS is set to the status of PSM.OSCDIS.

- If PSM.OSCDIS was 0 before entering Sub-WATCH, the main oscillator is started and chosen as the source for the CPU system clock (PCC.CLS = 0, PCC.CKS[1:0] = 00<sub>B</sub>).
- If PSM.OSCDIS was 1 before entering Sub-WATCH, the main oscillator remains stopped, and the CPU is clocked by a sub clock (PCC.CLS = 1, PCC.CKS[1:0] = xx<sub>B</sub>).

“Sub clock” means the clocks supplied by either the 32 KHz sub oscillator or the 200 kHz internal oscillator. The selection must be made in the PCC register *before* entering the Sub-WATCH or WATCH mode:

- PCC.SOSCP = 0: Internal oscillator
- PCC.SOSCP = 1: Sub oscillator

Software can switch from sub clock CPU operation to normal run mode (by enabling the main oscillator by PSM.OSCDIS = 0) or re-enter Sub-WATCH respectively WATCH mode.

**After HALT** On return from HALT mode the CPU resumes operation with the same clock settings as before HALT was entered.

## 4.4 Clock Generator Operation

### 4.4.1 Internal and sub oscillator operation

By default, sub and internal oscillator operate during all power save modes.

However, it can be specified in the WCC register that the sub oscillator stops in STOP mode (WCC.SOSTP).

It can also be specified that the internal oscillator stops in WATCH, Sub-WATCH, and STOP mode (WCC.ROSTP).

These bits can be written once after system reset, independent of the reset source.

### 4.4.2 Watch Timer and Watch Calibration Timer clocks

The Watch Timer input clock WTCLK can be derived directly from the main, sub, or internal oscillator. Therefore, the WT can be operating in all power save modes.

Because PCLK1 is stopped during power save modes, the Watch Calibration Timer input clock WCTCLK can be directly connected to the main oscillator output.

**Note** WCTCLK is not available in Sub-WATCH and STOP mode where the main oscillator is stopped. These modes must be released before the WCT can operate.

### 4.4.3 Clock output FOUTCLK

The Clock Generator output signal FOUTCLK supplies a clock for external components. It can be derived from any internal clock source, that means internal oscillator, sub oscillator, main oscillator, PLL, or SSCG. A dedicated frequency divider is available to scale the output clock down.

FOUTCLK must be enabled by register setting (FCC.FOEN = 1). It is not influenced by the power save modes. But FOUTCLK stops, if the selected clock source stops.

After reset release, FOUTCLK is disabled (register FCC is cleared), and the pin FOUT put in input mode.

- Note**
1. If you change the configuration of FOUTCLK or enable/disable the selected clock source while FOUTCLK is active, glitches or irregular clock periods may appear at the output pin.
  2. The clock signal FOUTCLK cannot be used to synchronize external circuitry to other output signals of the microcontroller—it has no specified phase relation to other output signals.
  3. There is an upper frequency limit for the output buffer of the FOUTCLK function. Do not select a frequency higher than the maximum output buffer frequency. Please refer to the Data Sheet for the frequency limit.

#### 4.4.4 Default clock generator setup

The Clock Generator can be reset to the clock settings that are used by default after power save mode release. This is done by setting bit SDC.SDCR.

For this kind of reset, it is not necessary to enter a power save mode, and no wake-up signal is required.

If reset to defaults is requested, CKC.PLEN and CKC.SCEN are cleared. However the PLL and SSCG remain active. The CPU clock source is switched to sub, internal, or main oscillator (depending on the bits PSM.OSCDIS and PCC.SOSCP). Peripheral clock sources are switched to main oscillator. For details see *“SDC - Set default clock register“ on page 154.*

This feature reduces the total power consumption of peripherals and CPU.

It provides also a way to stop the PLL and SSCG. These PLLs must be stopped if the clock sources for the CPU or peripherals shall be changed.

**Note** While the clock sources are switched, the peripheral clocks are suspended. Therefore, the timing of peripheral modules may be inaccurate until the reset has finished.

### 4.4.5 Operation of the Clock Monitors

The microcontroller provides two separate clock monitors to watch the activity of the main oscillator and the sub oscillator.

#### (1) Description

The functional block diagram is shown below.

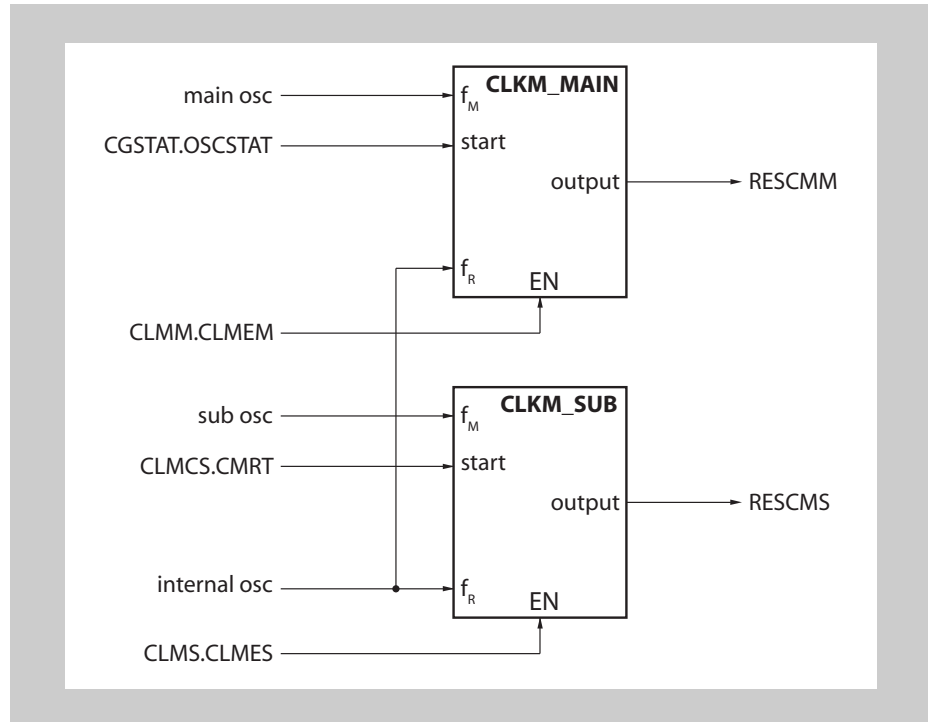


Figure 4-2 Clock Monitors block diagram

The clock monitors use the internal oscillator ( $f_R$ ) for monitoring the main and sub oscillators ( $f_M$ ).

If the main oscillator clock monitor detects a malfunction of the main oscillator (no pulse), it generates the reset request RESCMM. If the sub oscillator clock monitor detects a malfunction of the sub oscillator, it generates the reset request RESCMS.

#### (2) Start and stop

Before the clock monitors can be started, they have to be enabled by setting CLMM.CLMEM and CLMS.CLMES to 1.

##### Main oscillator monitor start

After enabling CLMM.CLMEM = 1 the main oscillator monitor is automatically started as soon as the main oscillator is stable, indicated by CGSTAT.OSCSTAT = 1.

www.DataSheet4U.com

##### Sub oscillator monitor start

After enabling CLMM.CLMES = 1 the sub oscillator monitor must be started by software by setting CLMCS.CMRT to 1.

After starting the sub oscillator clock monitor by CLMCS.CMRT = 1 clear CLMCS.CMRT by software.

Since CLMCS.CMRT = 1 is synchronized with the internal oscillator any change of this bit has to be maintained for at least 65 internal oscillator periods  $T_{ROSC} = 1/f_{ROSC}$  to become effective. Therefore a wait period has to be assured before this bit is changed again.

Proceed as follows to start the sub oscillator clock monitor:

1. After reset enable sub oscillator clock monitor:  
 $PRCMDCM = FF_{H\text{permit}}$  write to CLMS  
 $CLMS.CLMES = 1$  enable sub oscillator clock monitor
2. Make sure the sub oscillator is stable.
3. Start sub oscillator clock monitor after reset and after power save mode wake-up:  
 $CLMCS.CMRT = 1$
4. Wait for 65 internal oscillator periods  $T_{ROSC}$  before resetting CMRT:  
 $\text{wait}(65 \times \max(T_{ROSC}))$
5. Clear CLMCS.CMRT:  
 $CLMCS.CMRT = 0$
6. Before CMRT should be set to 1 again, wait for 65 internal oscillator periods  $T_{ROSC}$ :  
 $\text{wait}(65 \times \max(T_{ROSC}))$

Note that the minimum internal oscillator frequency  $\min(f_{ROSC})$  ( $\max(T_{ROSC})$ ) has to be taken into account for the wait time in steps (3) and (5).

---

**Caution** The sub oscillator clock monitor is sometimes already started by setting  $CLMS.CLMES = 1$ , i.e. without  $CLMCS.CMRT = 1$ . In these cases it would not be required to start the sub oscillator by setting  $CLMCS.CMRT = 1$  additionally.

Since it is unpredictable whether the clock monitor has already started after  $CLMS.CLMES = 1$  the procedure described above should be followed in any case.

---

### (3) Operation during and after power save modes

**Main oscillator stopped** If the main oscillator is stopped, its clock monitor changes to stand-by. When the main oscillator is restarted after power save mode release, the main oscillator clock monitor restarts automatically.

**Sub oscillator stopped** If the sub oscillator is stopped, its clock monitor stops.

When the sub oscillator is restarted after power save mode release, the sub oscillator clock monitor does not start automatically.

Software must ensure that the sub oscillator stabilization time has elapsed and then start the monitor by setting CLMCS.CMRT to 1.

**Internal oscillator stopped** If the internal oscillator is stopped, both clock monitors' operation is suspended. Their operation is automatically resumed as soon as the internal oscillator is restarted.

[www.DataSheet4U.com](http://www.DataSheet4U.com)

# Chapter 5 Interrupt Controller (INTC)

This controller is provided with a dedicated Interrupt Controller (INTC) for interrupt servicing and can process a large amount of maskable and two non-maskable interrupt requests.

An interrupt is an event that occurs independently of program execution, and an exception is an event whose occurrence is dependent on program execution. Generally, an exception takes precedence over an interrupt.

This controller can process interrupt requests from the on-chip peripheral hardware and external sources. Moreover, exception processing can be started by the TRAP instruction (software exception) or by generation of an exception event (i.e. fetching of an illegal opcode) (exception trap).

Eight levels of software-programmable priorities can be specified for each interrupt request. Starting of interrupt servicing takes no fewer than 5 system clocks after the generation of an interrupt request.

## 5.1 Features

- Interrupts
  - Non-maskable interrupts: 2 sources
  - Maskable interrupts:

Interrupt source	μPD70F3421, μPD70F3422, μPD70F3423	μPD70F3424, μPD70F3425, μPD70F3426A, μPD70F3427
Internal peripherals	69	85
External	7	8
Software	2	2

- 8 levels of programmable priorities (maskable interrupts)
- Multiple interrupt control according to priority
- Masks can be specified for each maskable interrupt request
- Noise elimination, edge detection and valid edge specification, level detection for external interrupt request signals
- Wake-up capable (analogue noise elimination for external interrupt request signals)
- NMI and INTPO share the same pin
- Exceptions
  - Software exceptions: 2 channels with each 16 sources
  - Exception traps: 2 sources (illegal opcode exception and debug trap)

Table 5-1 Interrupt/exception source list (1/4)

Type	Classification	Interrupt/Exception Source			Default Priority	Exception Code	Handler Address	Restored PC
		Name	Generating Source	Generating Unit				
Reset	Interrupt	RESET	RESET input	Pin	-	0000H	00000000H	undef.
Non-maskable	Interrupt	NMI0	NMI Input	PORT	-	0010H	00000010H	nextPC
		NMIWDT	Watchdog Timer	WDT	-	0020H	00000020H	nextPC
		NMI2	Unused	-	-	0030H	00000030H	nextPC
Software exception	Exception	TRAP0n (n = 0 to F <sub>H</sub> )	TRAP instruction	-	-	004nH (n = 0 to F <sub>H</sub> )	00000040H	nextPC
	Exception	TRAP1n (n = 0 to F <sub>H</sub> )	TRAP instruction	-	-	005nH (n = 0 to F <sub>H</sub> )	00000050H	nextPC
Exception trap	Exception	ILGOP/ DBTRAP	Illegal opcode/ DBTRAP instruction	-	-	0060H	00000060H	nextPC
Maskable	Interrupt	INTVC0	Voltage Comparator 0	AC0	0	0080H	00000080H	next PC
	Interrupt	INTVC1	Voltage Comparator 1	AC1	1	0090H	00000090H	next PC
	Interrupt	INTWT0UV	WT0 underflow	WT0	2	00A0H	000000A0H	next PC
	Interrupt	INTWT1UV	WT1 underflow	WT1	3	00B0H	000000B0H	next PC
	Interrupt	Reserved	Reserved	-	4	00C0H	000000C0H	next PC
	Interrupt	INTTM01	Watch calibration timer capture compare	WCT	5	00D0H	000000D0H	next PC
	Interrupt	INTP0	External interrupt 0	PORT	6	00E0H	000000E0H	next PC
	Interrupt	INTP1	External interrupt 1	PORT	7	00F0H	000000F0H	next PC
	Interrupt	INTP2	External interrupt 2	PORT	8	0100H	00000100H	next PC
	Interrupt	INTP3	External interrupt 3	PORT	9	0110H	00000110H	next PC
	Interrupt	INTP4	External interrupt 4	PORT	10	0120H	00000120H	next PC
	Interrupt	INTP5	External interrupt 5	PORT	11	0130H	00000130H	next PC
	Interrupt	INTP6	External interrupt 6	PORT	12	0140H	00000140H	next PC
	Interrupt	INTTZ0UV	TMZ0 underflow	TMZ0	13	0150H	00000150H	next PC
	Interrupt	INTTZ1UV	TMZ1 underflow	TMZ1	14	0160H	00000160H	next PC
	Interrupt	INTTZ2UV	TMZ2 underflow	TMZ2	15	0170H	00000170H	next PC
	Interrupt	INTTZ3UV	TMZ3 underflow	TMZ3	16	0180H	00000180H	next PC
	Interrupt	INTTZ4UV	TMZ4 underflow	TMZ4	17	0190H	00000190H	next PC
	Interrupt	INTTZ5UV	TMZ5 underflow	TMZ5	18	01A0H	000001A0H	next PC
	Interrupt	INTTP0OV	TMP0 overflow	TMP0	19	01B0H	000001B0H	next PC
	Interrupt	INTTP0CC0	TMP0 capture compare channel 0	TMP0	20	01C0H	000001C0H	next PC
	Interrupt	INTTP0CC1	TMP0 capture compare channel 1	TMP0	21	01D0H	000001D0H	next PC
	Interrupt	INTTP1OV	TMP1 overflow	TMP1	22	01E0H	000001E0H	next PC
	Interrupt	INTTP1CC0	TMP1 capture compare channel 0	TMP1	23	01F0H	000001F0H	next PC
	Interrupt	INTTP1CC1	TMP1 capture compare channel 1	TMP1	24	0200H	00000200H	next PC
Interrupt	INTTP2OV	TMP2 overflow	TMP2	25	0210H	00000210H	next PC	



Table 5-1 Interrupt/exception source list (2/4)

Type	Classification	Interrupt/Exception Source			Default Priority	Exception Code	Handler Address	Restored PC
		Name	Generating Source	Generating Unit				
Maskable	Interrupt	INTTP2CC0	TMP2 capture compare channel 0	TMP2	26	0220H	00000220H	next PC
	Interrupt	INTTP2CC1	TMP2 capture compare channel 1	TMP2	27	0230H	00000230H	next PC
	Interrupt	INTTP3OV	TMP3 overflow	TMP3	28	0240H	00000240H	next PC
	Interrupt	INTTP3CC0	TMP3 capture compare channel 0	TMP3	29	0250H	00000250H	next PC
	Interrupt	INTTP3CC1	TMP3 capture compare channel 1	TMP3	30	0260H	00000260H	next PC
	Interrupt	INTTG0OV0	TMG0 overflow interrupt 0	TMG0	31	0270H	00000270H	next PC
	Interrupt	INTTG0OV1	TMG0 overflow interrupt 1	TMG0	32	0280H	00000280H	next PC
	Interrupt	INTTG0CC0	TMG0 capture compare channel 0	TMG0	33	0290H	00000290H	next PC
	Interrupt	INTTG0CC1	TMG0 capture compare channel 1	TMG0	34	02A0H	000002A0H	next PC
	Interrupt	INTTG0CC2	TMG0 capture compare channel 2	TMG0	35	02B0H	000002B0H	next PC
	Interrupt	INTTG0CC3	TMG0 capture compare channel 3	TMG0	36	02C0H	000002C0H	next PC
	Interrupt	INTTG0CC4	TMG0 capture compare channel 4	TMG0	37	02D0H	000002D0H	next PC
	Interrupt	INTTG0CC5	TMG0 capture compare channel 5	TMG0	38	02E0H	000002E0H	next PC
	Interrupt	INTTG1OV0	TMG1 overflow interrupt 0	TMG1	39	02F0H	000002F0H	next PC
	Interrupt	INTTG1OV1	TMG1 overflow interrupt 1	TMG1	40	0300H	00000300H	next PC
	Interrupt	INTTG1CC0	TMG1 capture compare channel 0	TMG1	41	0310H	00000310H	next PC
	Interrupt	INTTG1CC1	TMG1 capture compare channel 1	TMG1	42	0320H	00000320H	next PC
	Interrupt	INTTG1CC2	TMG1 capture compare channel 2	TMG1	43	0330H	00000330H	next PC
	Interrupt	INTTG1CC3	TMG1 capture compare channel 3	TMG1	44	0340H	00000340H	next PC
	Interrupt	INTTG1CC4	TMG1 capture compare channel 4	TMG1	45	0350H	00000350H	next PC
	Interrupt	INTTG1CC5	TMG1 capture compare channel 5	TMG1	46	0360H	00000360H	next PC
	Interrupt	INTTY0UV0	TMY0 channel 0 underflow	TMY0	47	0370H	00000370H	next PC
	Interrupt	INTTY0UV1	TMY0 channel 1 underflow	TMY0	48	0380H	00000380H	next PC
	Interrupt	INTAD	ADC end of conversion	ADC	49	0390H	00000390H	next PC
	Interrupt	INTC0ERR	CAN0 error interrupt	CAN0	50	03A0H	000003A0H	next PC
	Interrupt	INTC0WUP	CAN0 wake up interrupt	CAN0	51	03B0H	000003B0H	next PC
	Interrupt	INTC0REC	CAN0 receive interrupt	CAN0	52	03C0H	000003C0H	next PC
	Interrupt	INTC0TRX	CAN0 transmit interrupt	CAN0	53	03D0H	000003D0H	next PC

www.DataSheet4U.com

Table 5-1 Interrupt/exception source list (3/4)

Type	Classification	Interrupt/Exception Source			Default Priority	Exception Code	Handler Address	Restored PC
		Name	Generating Source	Generating Unit				
Maskable	Interrupt	INTCB0RE	CSIB0 receive error interrupt	CSIB0	54	03E0H	000003E0H	next PC
	Interrupt	INTCB0R	CSIB0 receive complete interrupt	CSIB0	55	03F0H	000003F0H	next PC
	Interrupt	INTCB0T	CSIB0 transmit interrupt	CSIB0	56	0400H	00000400H	next PC
	Interrupt	INTUA0RE	UARTA0 receive error interrupt	UARTA0	57	0410H	00000410H	next PC
	Interrupt	INTUA0R	UARTA0 receive complete interrupt	UARTA0	58	0420H	00000420H	next PC
	Interrupt	INTUA0T	UARTA0 transmit interrupt	UARTA0	59	0430H	00000430H	next PC
	Interrupt	INTUA1RE	UARTA1 receive error interrupt	UARTA1	60	0440H	00000440H	next PC
	Interrupt	INTUA1R	UARTA1 receive complete interrupt	UARTA1	61	0450H	00000450H	next PC
	Interrupt	INTUA1T	UARTA1 transmit interrupt	UARTA1	62	0460H	00000460H	next PC
	Interrupt	INTIIC0	IIC0 interrupt	IIC0	63	0470H	00000470H	next PC
	Interrupt	INTIIC1	IIC1 interrupt	IIC1	64	0480H	00000480H	next PC
	Interrupt	INTSG0	SG0 interrupt	SG0	65	0490H	00000490H	next PC
	Interrupt	INTDMA0	DMA0 transmission end	DMA0	66	04A0H	000004A0H	next PC
	Interrupt	INTDMA1	DMA1 transmission end	DMA1	67	04B0H	000004B0H	next PC
	Interrupt	INTDMA2	DMA2 transmission end	DMA2	68	04C0H	000004C0H	next PC
	Interrupt	INTDMA3	DMA3 transmission end	DMA3	69	04D0H	000004D0H	next PC
	Interrupt	INT70	not generated by hardware <sup>a</sup>	—	70	04E0H	000004E0H	next PC
	Interrupt	INT71	not generated by hardware <sup>a</sup>	—	71	04F0H	000004F0H	next PC
	Interrupt	INTP7	External interrupt 7	PORT	72	0500H	00000500H	next PC
	Interrupt	INTC1ERR	CAN1 error interrupt	CAN1	73	0510H	00000510H	next PC
	Interrupt	INTC1WUP	CAN1 wake up interrupt	CAN1	74	0520H	00000520H	next PC
	Interrupt	INTC1REC	CAN1 receive interrupt	CAN1	75	0530H	00000530H	next PC
	Interrupt	INTC1TRX	CAN1 transmit interrupt	CAN1	76	0540H	00000540H	next PC
	Interrupt	INTT26UV	TMZ6 underflow	TMZ6	77	0550H	00000550H	next PC
	Interrupt	INTT27CUV	TMZ7 underflow	TMZ7	78	0560H	00000560H	next PC
	Interrupt	INTT28UV	TMZ8 underflow	TMZ8	79	0570H	00000570H	next PC
	Interrupt	INTT29UV	TMZ9 underflow	TMZ9	80	0580H	00000580H	next PC
	Interrupt	INTTG2OV0	TMG2 overflow interrupt 0	TMG2	81	0590H	00000590H	next PC
	Interrupt	INTTG2OV1	TMG2 overflow interrupt 1	TMG2	82	05A0H	000005A0H	next PC
	Interrupt	INTTG2CC0	TMG2 capture compare channel 0	TMG2	83	05B0H	000005B0H	next PC
	Interrupt	INTTG2CC1	TMG2 capture compare channel 1	TMG2	84	05C0H	000005C0H	next PC
	Interrupt	INTTG2CC2	TMG2 capture compare channel 2	TMG2	85	05D0H	000005D0H	next PC
Interrupt	INTTG2CC3	TMG2 capture compare channel 3	TMG2	86	05E0H	000005E0H	next PC	

Table 5-1 Interrupt/exception source list (4/4)

Type	Classification	Interrupt/Exception Source			Default Priority	Exception Code	Handler Address	Restored PC
		Name	Generating Source	Generating Unit				
Maskable	Interrupt	INTTG2CC4	TMG2 capture compare channel 4	TMG2	87	05F0H	000005F0H	next PC
	Interrupt	INTTG2CC5	TMG2 capture compare channel 5	TMG2	88	0600H	00000600H	next PC
	Interrupt	INTCB1RE	CSIB1 receive error interrupt	CSIB1	89	0610H	00000610H	next PC
	Interrupt	INTCB1R	CSIB1 receive complete interrupt	CSIB1	90	0620H	00000620H	next PC
	Interrupt	INTCB1T	CSIB1 transmit interrupt	CSIB1	91	0630H	00000630H	next PC
	Interrupt	INTCB2RE	CSIB2 receive error interrupt	CSIB2	92	0640H	00000640H	next PC
	Interrupt	INTCB2R	CSIB2 receive complete interrupt	CSIB2	93	0650H	00000650H	next PC
	Interrupt	INTCB2T	CSIB2 transmit interrupt	CSIB2	94	0660H	00000660H	next PC
	Interrupt	INTLCD	LCDBUSIF transmit interrupt	LCDBUSIF	95	0670H	00000670H	next PC
	Interrupt	INTC2ERR	CAN2 error interrupt	CAN2	96	0680H	00000680H	next PC
	Interrupt	INTC2WUP	CAN2 wake up interrupt	CAN2	97	0690H	00000690H	next PC
	Interrupt	INTC2REC	CAN2 receive interrupt	CAN2	98	06A0H	000006A0H	next PC
	Interrupt	INTC2TRX	CAN2 transmit interrupt	CAN2	99	06B0H	000006B0H	next PC

a) These interrupts can be used as software triggered interrupts.

**Default priority:** The priority order when two or more maskable interrupt requests are generated at the same time. The highest priority is 0.

1. Restored PC:  
The value of the PC saved to EIPC or FEPC when interrupt/exception processing is started. However, the value of the PC saved when an interrupt is acknowledged during division (DIV, DIVH, DIVU, DIVHU) instruction execution is the value of the PC of the current instruction (DIV, DIVH, DIVU, DIVHU).
2. nextPC:  
The PC value that starts the processing following interrupt/exception processing.
3. The execution address of the illegal instruction when an illegal opcode exception occurs is calculated by (Restored PC – 4).

Table 5-2  $\mu$ PD70F3420 (OTF),  $\mu$ PD70F3421,  $\mu$ PD70F3421 (OTF),  $\mu$ PD70F3422,  $\mu$ PD70F3422, (OTF),  $\mu$ PD70F3423 interrupt/exception source list (1/4)

Type	Classification	Interrupt/Exception Source			Default Priority	Exception Code	Handler Address	Restored PC
		Name	Generating Source	Generating Unit				
Reset	Interrupt	RESET	$\overline{\text{RESET}}$ input	Pin	-	0000 <sub>H</sub>	00000000 <sub>H</sub> <sup>a</sup>	undef.
Non-maskable	Interrupt	NMI0	NMI Input	PORT	-	0010 <sub>H</sub>	00000010 <sub>H</sub>	nextPC
		NMIWDT	Watchdog Timer	WDT	-	0020 <sub>H</sub>	00000020 <sub>H</sub>	nextPC
		NMI2	Unused	-	-	0030 <sub>H</sub>	00000030 <sub>H</sub>	nextPC
Software exception	Exception	TRAP0n (n = 0 to F <sub>H</sub> )	TRAP instruction	-	-	004n <sub>H</sub> (n = 0 to F <sub>H</sub> )	00000040 <sub>H</sub>	nextPC
	Exception	TRAP1n (n = 0 to F <sub>H</sub> )	TRAP instruction	-	-	005n <sub>H</sub> (n = 0 to F <sub>H</sub> )	00000050 <sub>H</sub>	nextPC
Exception trap	Exception	ILGOP/ DBTRAP	Illegal opcode/ DBTRAP instruction	-	-	0060 <sub>H</sub> 0 <sub>H</sub>	00000060 <sub>H</sub>	nextPC
Maskable	Interrupt	INTVC0	Voltage Comparator 0	AC0	0	0080 <sub>H</sub>	00000080 <sub>H</sub>	next PC
	Interrupt	INTVC1	Voltage Comparator 1	AC1	1	0090 <sub>H</sub>	00000090 <sub>H</sub>	next PC
	Interrupt	INTWT0UV	WT0 underflow	WT0	2	00A0 <sub>H</sub>	000000A0 <sub>H</sub>	next PC
	Interrupt	INTWT1UV	WT1 underflow	WT1	3	00B0 <sub>H</sub>	000000B0 <sub>H</sub>	next PC
	Interrupt	Reserved	Reserved	-	4	00C0 <sub>H</sub>	000000C0 <sub>H</sub>	next PC
	Interrupt	INTTM01	Watch calibration timer capture compare	WCT	5	00D0 <sub>H</sub>	000000D0 <sub>H</sub>	next PC
	Interrupt	INTP0	External interrupt 0	PORT	6	00E0 <sub>H</sub>	000000E0 <sub>H</sub>	next PC
	Interrupt	INTP1	External interrupt 1	PORT	7	00F0 <sub>H</sub>	000000F0 <sub>H</sub>	next PC
	Interrupt	INTP2	External interrupt 2	PORT	8	0100 <sub>H</sub>	00000100 <sub>H</sub>	next PC
	Interrupt	INTP3	External interrupt 3	PORT	9	0110 <sub>H</sub>	00000110 <sub>H</sub>	next PC
	Interrupt	INTP4	External interrupt 4	PORT	10	0120 <sub>H</sub>	00000120 <sub>H</sub>	next PC
	Interrupt	INTP5	External interrupt 5	PORT	11	0130 <sub>H</sub>	00000130 <sub>H</sub>	next PC
	Interrupt	INTP6	External interrupt 6	PORT	12	0140 <sub>H</sub>	00000140 <sub>H</sub>	next PC
	Interrupt	INTTZ0UV	TMZ0 underflow	TMZ0	13	0150 <sub>H</sub>	00000150 <sub>H</sub>	next PC
	Interrupt	INTTZ1UV	TMZ1 underflow	TMZ1	14	0160 <sub>H</sub>	00000160 <sub>H</sub>	next PC
	Interrupt	INTTZ2UV	TMZ2 underflow	TMZ2	15	0170 <sub>H</sub>	00000170 <sub>H</sub>	next PC
	Interrupt	INTTZ3UV	TMZ3 underflow	TMZ3	16	0180 <sub>H</sub>	00000180 <sub>H</sub>	next PC
	Interrupt	INTTZ4UV	TMZ4 underflow	TMZ4	17	0190 <sub>H</sub>	00000190 <sub>H</sub>	next PC
	Interrupt	INTTZ5UV	TMZ5 underflow	TMZ5	18	01A0 <sub>H</sub>	000001A0 <sub>H</sub>	next PC
	Interrupt	INTTP0OV	TMP0 overflow	TMP0	19	01B0 <sub>H</sub>	000001B0 <sub>H</sub>	next PC
	Interrupt	INTTP0CC0	TMP0 capture compare channel 0	TMP0	20	01C0 <sub>H</sub>	000001C0 <sub>H</sub>	next PC
	Interrupt	INTTP0CC1	TMP0 capture compare channel 1	TMP0	21	01D0 <sub>H</sub>	000001D0 <sub>H</sub>	next PC
	Interrupt	INTTP1OV	TMP1 overflow	TMP1	22	01E0 <sub>H</sub>	000001E0 <sub>H</sub>	next PC
	Interrupt	INTTP1CC0	TMP1 capture compare channel 0	TMP1	23	01F0 <sub>H</sub>	000001F0 <sub>H</sub>	next PC
Interrupt	INTTP1CC1	TMP1 capture compare channel 1	TMP1	24	0200 <sub>H</sub>	00000200 <sub>H</sub>	next PC	

Table 5-2  $\mu$ PD70F3420 (OTF),  $\mu$ PD70F3421,  $\mu$ PD70F3421 (OTF),  $\mu$ PD70F3422,  $\mu$ PD70F3422, (OTF),  $\mu$ PD70F3423 interrupt/exception source list (2/4)

Type	Classification	Interrupt/Exception Source			Default Priority	Exception Code	Handler Address	Restored PC
		Name	Generating Source	Generating Unit				
Maskable	Interrupt	INTTP2OV	TMP2 overflow	TMP2	25	0210 <sub>H</sub>	00000210 <sub>H</sub>	next PC
	Interrupt	INTTP2CC0	TMP2 capture compare channel 0	TMP2	26	0220 <sub>H</sub>	00000220 <sub>H</sub>	next PC
	Interrupt	INTTP2CC1	TMP2 capture compare channel 1	TMP2	27	0230 <sub>H</sub>	00000230 <sub>H</sub>	next PC
	Interrupt	INTTP3OV	TMP3 overflow	TMP3	28	0240 <sub>H</sub>	00000240 <sub>H</sub>	next PC
	Interrupt	INTTP3CC0	TMP3 capture compare channel 0	TMP3	29	0250 <sub>H</sub>	00000250 <sub>H</sub>	next PC
	Interrupt	INTTP3CC1	TMP3 capture compare channel 1	TMP3	30	0260 <sub>H</sub>	00000260 <sub>H</sub>	next PC
	Interrupt	INTTG0OV0	TMG0 overflow interrupt 0	TMG0	31	0270 <sub>H</sub>	00000270 <sub>H</sub>	next PC
	Interrupt	INTTG0OV1	TMG0 overflow interrupt 1	TMG0	32	0280 <sub>H</sub>	00000280 <sub>H</sub>	next PC
	Interrupt	INTTG0CC0	TMG0 capture compare channel 0	TMG0	33	0290 <sub>H</sub>	00000290 <sub>H</sub>	next PC
	Interrupt	INTTG0CC1	TMG0 capture compare channel 1	TMG0	34	02A0 <sub>H</sub>	000002A0 <sub>H</sub>	next PC
	Interrupt	INTTG0CC2	TMG0 capture compare channel 2	TMG0	35	02B0 <sub>H</sub>	000002B0 <sub>H</sub>	next PC
	Interrupt	INTTG0CC3	TMG0 capture compare channel 3	TMG0	36	02C0 <sub>H</sub>	000002C0 <sub>H</sub>	next PC
	Interrupt	INTTG0CC4	TMG0 capture compare channel 4	TMG0	37	02D0 <sub>H</sub>	000002D0 <sub>H</sub>	next PC
	Interrupt	INTTG0CC5	TMG0 capture compare channel 5	TMG0	38	02E0 <sub>H</sub>	000002E0 <sub>H</sub>	next PC
	Interrupt	INTTG1OV0	TMG1 overflow interrupt 0	TMG1	39	02F0 <sub>H</sub>	000002F0 <sub>H</sub>	next PC
	Interrupt	INTTG1OV1	TMG1 overflow interrupt 1	TMG1	40	0300 <sub>H</sub>	00000300 <sub>H</sub>	next PC
	Interrupt	INTTG1CC0	TMG1 capture compare channel 0	TMG1	41	0310 <sub>H</sub>	00000310 <sub>H</sub>	next PC
	Interrupt	INTTG1CC1	TMG1 capture compare channel 1	TMG1	42	0320 <sub>H</sub>	00000320 <sub>H</sub>	next PC
	Interrupt	INTTG1CC2	TMG1 capture compare channel 2	TMG1	43	0330 <sub>H</sub>	00000330 <sub>H</sub>	next PC
	Interrupt	INTTG1CC3	TMG1 capture compare channel 3	TMG1	44	0340 <sub>H</sub>	00000340 <sub>H</sub>	next PC
	Interrupt	INTTG1CC4	TMG1 capture compare channel 4	TMG1	45	0350 <sub>H</sub>	00000350 <sub>H</sub>	next PC
	Interrupt	INTTG1CC5	TMG1 capture compare channel 5	TMG1	46	0360 <sub>H</sub>	00000360 <sub>H</sub>	next PC
	Interrupt	INTTY0UV0	TMY0 channel 0 underflow	TMY0	47	0370 <sub>H</sub>	00000370 <sub>H</sub>	next PC
	Interrupt	INTTY0UV1	TMY0 channel 1 underflow	TMY0	48	0380 <sub>H</sub>	00000380 <sub>H</sub>	next PC

www.DataSheet4U.com

Table 5-2  $\mu$ PD70F3420 (OTF),  $\mu$ PD70F3421,  $\mu$ PD70F3421 (OTF),  $\mu$ PD70F3422,  $\mu$ PD70F3422, (OTF),  $\mu$ PD70F3423 interrupt/exception source list (3/4)

Type	Classification	Interrupt/Exception Source			Default Priority	Exception Code	Handler Address	Restored PC
		Name	Generating Source	Generating Unit				
Maskable	Interrupt	INTAD	ADC end of conversion	ADC	49	0390 <sub>H</sub>	00000390 <sub>H</sub>	next PC
	Interrupt	INTC0ERR	CAN0 error interrupt	CAN0	50	03A0 <sub>H</sub>	000003A0 <sub>H</sub>	next PC
	Interrupt	INTC0WUP	CAN0 wake up interrupt	CAN0	51	03B0 <sub>H</sub>	000003B0 <sub>H</sub>	next PC
	Interrupt	INTC0REC	CAN0 receive interrupt	CAN0	52	03C0 <sub>H</sub>	000003C0 <sub>H</sub>	next PC
	Interrupt	INTC0TRX	CAN0 transmit interrupt	CAN0	53	03D0 <sub>H</sub>	000003D0 <sub>H</sub>	next PC
	Interrupt	INTCB0RE	CSIB0 receive error interrupt	CSIB0	54	03E0 <sub>H</sub>	000003E0 <sub>H</sub>	next PC
	Interrupt	INTCB0R	CSIB0 receive complete interrupt	CSIB0	55	03F0 <sub>H</sub>	000003F0 <sub>H</sub>	next PC
	Interrupt	INTCB0T	CSIB0 transmit interrupt	CSIB0	56	0400 <sub>H</sub>	00000400 <sub>H</sub>	next PC
	Interrupt	INTUA0RE	UARTA0 receive error interrupt	UARTA0	57	0410 <sub>H</sub>	00000410 <sub>H</sub>	next PC
	Interrupt	INTUA0R	UARTA0 receive complete interrupt	UARTA0	58	0420 <sub>H</sub>	00000420 <sub>H</sub>	next PC
	Interrupt	INTUA0T	UARTA0 transmit interrupt	UARTA0	59	0430 <sub>H</sub>	00000430 <sub>H</sub>	next PC
	Interrupt	INTUA1RE	UARTA1 receive error interrupt	UARTA1	60	0440 <sub>H</sub>	00000440 <sub>H</sub>	next PC
	Interrupt	INTUA1R	UARTA1 receive complete interrupt	UARTA1	61	0450 <sub>H</sub>	00000450 <sub>H</sub>	next PC
	Interrupt	INTUA1T	UARTA1 transmit interrupt	UARTA1	62	0460 <sub>H</sub>	00000460 <sub>H</sub>	next PC
	Interrupt	INTIIC0	IIC0 interrupt	IIC0	63	0470 <sub>H</sub>	00000470 <sub>H</sub>	next PC
	Interrupt	INTIIC1	IIC1 interrupt	IIC1	64	0480 <sub>H</sub>	00000480 <sub>H</sub>	next PC
	Interrupt	INTSG0	SG0 interrupt	SG0	65	0490 <sub>H</sub>	00000490 <sub>H</sub>	next PC
	Interrupt	INTDMA0	DMA0 transmission end	DMA0	66	04A0 <sub>H</sub>	000004A0 <sub>H</sub>	next PC
	Interrupt	INTDMA1	DMA1 transmission end	DMA1	67	04B0 <sub>H</sub>	000004B0 <sub>H</sub>	next PC
	Interrupt	INTDMA2	DMA2 transmission end	DMA2	68	04C0 <sub>H</sub>	000004C0 <sub>H</sub>	next PC
	Interrupt	INTDMA3	DMA3 transmission end	DMA3	69	04D0 <sub>H</sub>	000004D0 <sub>H</sub>	next PC
	Interrupt	INT70	not generated by hardware <sup>b</sup>	—	70	04E0 <sub>H</sub>	000004E0 <sub>H</sub>	next PC
	Interrupt	INT71	not generated by hardware <sup>a</sup>	—	71	04F0 <sub>H</sub>	000004F0 <sub>H</sub>	next PC
	Interrupt	Reserved	Reserved	—	72	0500 <sub>H</sub>	00000500 <sub>H</sub>	next PC
	Interrupt	INTC1ERR	CAN1 error interrupt	CAN1	73	0510 <sub>H</sub>	00000510 <sub>H</sub>	next PC
	Interrupt	INTC1WUP	CAN1 wake up interrupt	CAN1	74	0520 <sub>H</sub>	00000520 <sub>H</sub>	next PC
	Interrupt	INTC1REC	CAN1 receive interrupt	CAN1	75	0530 <sub>H</sub>	00000530 <sub>H</sub>	next PC
	Interrupt	INTC1TRX	CAN1 transmit interrupt	CAN1	76	0540 <sub>H</sub>	00000540 <sub>H</sub>	next PC

Table 5-2  $\mu$ PD70F3420 (OTF),  $\mu$ PD70F3421,  $\mu$ PD70F3421 (OTF),  $\mu$ PD70F3422,  $\mu$ PD70F3422, (OTF),  $\mu$ PD70F3423 interrupt/exception source list (4/4)

Type	Classification	Interrupt/Exception Source			Default Priority	Exception Code	Handler Address	Restored PC
		Name	Generating Source	Generating Unit				
Maskable	Interrupt	Reserved	Reserved	—	77 ... 88	0xx0 <sub>H</sub>	0000xx0 <sub>H</sub>	next PC
	Interrupt	INTCB1RE	CSIB1 receive error interrupt	CSIB1	89	0610 <sub>H</sub>	00000610 <sub>H</sub>	next PC
	Interrupt	INTCB1R	CSIB1 receive complete interrupt	CSIB1	90	0620 <sub>H</sub>	00000620 <sub>H</sub>	next PC
	Interrupt	INTCB1T	CSIB1 transmit interrupt	CSIB1	91	0630 <sub>H</sub>	00000630 <sub>H</sub>	next PC
	Interrupt	Reserved	Reserved	—	92 ... 95	0xx0 <sub>H</sub>	0000xx0 <sub>H</sub>	next PC
	Interrupt	INTC2ERR	CAN2 error interrupt <sup>c</sup>	CAN2	96	0680 <sub>H</sub>	00000680 <sub>H</sub>	next PC
	Interrupt	INTC2WUP	CAN2 wake up interrupt <sup>c</sup>	CAN2	97	0690 <sub>H</sub>	00000690 <sub>H</sub>	next PC
	Interrupt	INTC2REC	CAN2 receive interrupt <sup>c</sup>	CAN2	98	06A0 <sub>H</sub>	000006A0 <sub>H</sub>	next PC
	Interrupt	INTC2TRX	CAN2 transmit interrupt <sup>c</sup>	CAN2	99	06B0 <sub>H</sub>	000006B0 <sub>H</sub>	next PC

- a) The internal firmware starts after reset at 0000 0000<sub>H</sub>. The firmware starts the user's program  
- for OTF devices at address 0000 0000<sub>H</sub>  
- for flash memory devices at the address obtained from the variable reset vector
- b) These interrupts can be used as software triggered interrupts.
- c)  $\mu$ PD70F3423 only

Table 5-3  $\mu$ PD70F3424,  $\mu$ PD70F3425,  $\mu$ PD70F3426,  $\mu$ PD70F3427 interrupt/exception source list (1/4)

Type	Classification	Interrupt/Exception Source			Default Priority	Exception Code	Handler Address	Restored PC
		Name	Generating Source	Generating Unit				
Reset	Interrupt	RESET	$\overline{\text{RESET}}$ input	Pin	-	0000 <sub>H</sub>	00000000 <sub>H</sub> <sup>a</sup>	undef.
Non-maskable	Interrupt	NMI0	NMI Input	PORT	-	0010 <sub>H</sub>	00000010 <sub>H</sub>	nextPC
		NMIWDT	Watchdog Timer	WDT	-	0020 <sub>H</sub>	00000020 <sub>H</sub>	nextPC
		NMI2	Unused	-	-	0030 <sub>H</sub>	00000030 <sub>H</sub>	nextPC
Software exception	Exception	TRAP0n (n = 0 to F <sub>H</sub> )	TRAP instruction	-	-	004n <sub>H</sub> (n = 0 to F <sub>H</sub> )	00000040 <sub>H</sub>	nextPC
	Exception	TRAP1n (n = 0 to F <sub>H</sub> )	TRAP instruction	-	-	005n <sub>H</sub> (n = 0 to F <sub>H</sub> )	00000050 <sub>H</sub>	nextPC
Exception trap	Exception	ILGOP/ DBTRAP	Illegal opcode/ DBTRAP instruction	-	-	0060 <sub>H</sub>	00000060 <sub>H</sub>	nextPC
Maskable	Interrupt	INTVC0	Voltage Comparator 0	AC0	0	0080 <sub>H</sub>	00000080 <sub>H</sub>	next PC
	Interrupt	INTVC1	Voltage Comparator 1	AC1	1	0090 <sub>H</sub>	00000090 <sub>H</sub>	next PC
	Interrupt	INTWT0UV	WT0 underflow	WT0	2	00A0 <sub>H</sub>	000000A0 <sub>H</sub>	next PC
	Interrupt	INTWT1UV	WT1 underflow	WT1	3	00B0 <sub>H</sub>	000000B0 <sub>H</sub>	next PC
	Interrupt	Reserved	Reserved	-	4	00C0 <sub>H</sub>	000000C0 <sub>H</sub>	next PC
	Interrupt	INTTM01	Watch calibration timer capture compare	WCT	5	00D0 <sub>H</sub>	000000D0 <sub>H</sub>	next PC
	Interrupt	INTP0	External interrupt 0	PORT	6	00E0 <sub>H</sub>	000000E0 <sub>H</sub>	next PC
	Interrupt	INTP1	External interrupt 1	PORT	7	00F0 <sub>H</sub>	000000F0 <sub>H</sub>	next PC
	Interrupt	INTP2	External interrupt 2	PORT	8	0100 <sub>H</sub>	00000100 <sub>H</sub>	next PC
	Interrupt	INTP3	External interrupt 3	PORT	9	0110 <sub>H</sub>	00000110 <sub>H</sub>	next PC
	Interrupt	INTP4	External interrupt 4	PORT	10	0120 <sub>H</sub>	00000120 <sub>H</sub>	next PC
	Interrupt	INTP5	External interrupt 5	PORT	11	0130 <sub>H</sub>	00000130 <sub>H</sub>	next PC
	Interrupt	INTP6	External interrupt 6	PORT	12	0140 <sub>H</sub>	00000140 <sub>H</sub>	next PC
	Interrupt	INTTZ0UV	TMZ0 underflow	TMZ0	13	0150 <sub>H</sub>	00000150 <sub>H</sub>	next PC
	Interrupt	INTTZ1UV	TMZ1 underflow	TMZ1	14	0160 <sub>H</sub>	00000160 <sub>H</sub>	next PC
	Interrupt	INTTZ2UV	TMZ2 underflow	TMZ2	15	0170 <sub>H</sub>	00000170 <sub>H</sub>	next PC
	Interrupt	INTTZ3UV	TMZ3 underflow	TMZ3	16	0180 <sub>H</sub>	00000180 <sub>H</sub>	next PC
	Interrupt	INTTZ4UV	TMZ4 underflow	TMZ4	17	0190 <sub>H</sub>	00000190 <sub>H</sub>	next PC
	Interrupt	INTTZ5UV	TMZ5 underflow	TMZ5	18	01A0 <sub>H</sub>	000001A0 <sub>H</sub>	next PC
	Interrupt	INTTP0OV	TMP0 overflow	TMP0	19	01B0 <sub>H</sub>	000001B0 <sub>H</sub>	next PC
	Interrupt	INTTP0CC0	TMP0 capture compare channel 0	TMP0	20	01C0 <sub>H</sub>	000001C0 <sub>H</sub>	next PC
	Interrupt	INTTP0CC1	TMP0 capture compare channel 1	TMP0	21	01D0 <sub>H</sub>	000001D0 <sub>H</sub>	next PC
	Interrupt	INTTP1OV	TMP1 overflow	TMP1	22	01E0 <sub>H</sub>	000001E0 <sub>H</sub>	next PC
	Interrupt	INTTP1CC0	TMP1 capture compare channel 0	TMP1	23	01F0 <sub>H</sub>	000001F0 <sub>H</sub>	next PC
	Interrupt	INTTP1CC1	TMP1 capture compare channel 1	TMP1	24	0200 <sub>H</sub>	00000200 <sub>H</sub>	next PC
Interrupt	INTTP2OV	TMP2 overflow	TMP2	25	0210 <sub>H</sub>	00000210 <sub>H</sub>	next PC	



Table 5-3  $\mu$ PD70F3424,  $\mu$ PD70F3425,  $\mu$ PD70F3426,  $\mu$ PD70F3427 interrupt/exception source list (2/4)

Type	Classification	Interrupt/Exception Source			Default Priority	Exception Code	Handler Address	Restored PC
		Name	Generating Source	Generating Unit				
Maskable	Interrupt	INTTP2CC0	TMP2 capture compare channel 0	TMP2	26	0220 <sub>H</sub>	00000220 <sub>H</sub>	next PC
	Interrupt	INTTP2CC1	TMP2 capture compare channel 1	TMP2	27	0230 <sub>H</sub>	00000230 <sub>H</sub>	next PC
	Interrupt	INTTP3OV	TMP3 overflow	TMP3	28	0240 <sub>H</sub>	00000240 <sub>H</sub>	next PC
	Interrupt	INTTP3CC0	TMP3 capture compare channel 0	TMP3	29	0250 <sub>H</sub>	00000250 <sub>H</sub>	next PC
	Interrupt	INTTP3CC1	TMP3 capture compare channel 1	TMP3	30	0260 <sub>H</sub>	00000260 <sub>H</sub>	next PC
	Interrupt	INTTG0OV0	TMG0 overflow interrupt 0	TMG0	31	0270 <sub>H</sub>	00000270 <sub>H</sub>	next PC
	Interrupt	INTTG0OV1	TMG0 overflow interrupt 1	TMG0	32	0280 <sub>H</sub>	00000280 <sub>H</sub>	next PC
	Interrupt	INTTG0CC0	TMG0 capture compare channel 0	TMG0	33	0290 <sub>H</sub>	00000290 <sub>H</sub>	next PC
	Interrupt	INTTG0CC1	TMG0 capture compare channel 1	TMG0	34	02A0 <sub>H</sub>	000002A0 <sub>H</sub>	next PC
	Interrupt	INTTG0CC2	TMG0 capture compare channel 2	TMG0	35	02B0 <sub>H</sub>	000002B0 <sub>H</sub>	next PC
	Interrupt	INTTG0CC3	TMG0 capture compare channel 3	TMG0	36	02C0 <sub>H</sub>	000002C0 <sub>H</sub>	next PC
	Interrupt	INTTG0CC4	TMG0 capture compare channel 4	TMG0	37	02D0 <sub>H</sub>	000002D0 <sub>H</sub>	next PC
	Interrupt	INTTG0CC5	TMG0 capture compare channel 5	TMG0	38	02E0 <sub>H</sub>	000002E0 <sub>H</sub>	next PC
	Interrupt	INTTG1OV0	TMG1 overflow interrupt 0	TMG1	39	02F0 <sub>H</sub>	000002F0 <sub>H</sub>	next PC
	Interrupt	INTTG1OV1	TMG1 overflow interrupt 1	TMG1	40	0300 <sub>H</sub>	00000300 <sub>H</sub>	next PC
	Interrupt	INTTG1CC0	TMG1 capture compare channel 0	TMG1	41	0310 <sub>H</sub>	00000310 <sub>H</sub>	next PC
	Interrupt	INTTG1CC1	TMG1 capture compare channel 1	TMG1	42	0320 <sub>H</sub>	00000320 <sub>H</sub>	next PC
	Interrupt	INTTG1CC2	TMG1 capture compare channel 2	TMG1	43	0330 <sub>H</sub>	00000330 <sub>H</sub>	next PC
	Interrupt	INTTG1CC3	TMG1 capture compare channel 3	TMG1	44	0340 <sub>H</sub>	00000340 <sub>H</sub>	next PC
	Interrupt	INTTG1CC4	TMG1 capture compare channel 4	TMG1	45	0350 <sub>H</sub>	00000350 <sub>H</sub>	next PC
	Interrupt	INTTG1CC5	TMG1 capture compare channel 5	TMG1	46	0360 <sub>H</sub>	00000360 <sub>H</sub>	next PC
	Interrupt	INTTY0UV0	TMY0 channel 0 underflow	TMY0	47	0370 <sub>H</sub>	00000370 <sub>H</sub>	next PC
	Interrupt	INTTY0UV1	TMY0 channel 1 underflow	TMY0	48	0380 <sub>H</sub>	00000380 <sub>H</sub>	next PC
	Interrupt	INTAD	ADC end of conversion	ADC	49	0390 <sub>H</sub>	00000390 <sub>H</sub>	next PC
	Interrupt	INTC0ERR	CAN0 error interrupt	CAN0	50	03A0 <sub>H</sub>	000003A0 <sub>H</sub>	next PC
	Interrupt	INTC0WUP	CAN0 wake up interrupt	CAN0	51	03B0 <sub>H</sub>	000003B0 <sub>H</sub>	next PC
	Interrupt	INTC0REC	CAN0 receive interrupt	CAN0	52	03C0 <sub>H</sub>	000003C0 <sub>H</sub>	next PC
	Interrupt	INTC0TRX	CAN0 transmit interrupt	CAN0	53	03D0 <sub>H</sub>	000003D0 <sub>H</sub>	next PC

www.DataSheet4U.com

Table 5-3  $\mu$ PD70F3424,  $\mu$ PD70F3425,  $\mu$ PD70F3426,  $\mu$ PD70F3427 interrupt/exception source list (3/4)

Type	Classification	Interrupt/Exception Source			Default Priority	Exception Code	Handler Address	Restored PC
		Name	Generating Source	Generating Unit				
Maskable	Interrupt	INTCB0RE	CSIB0 receive error interrupt	CSIB0	54	03E0 <sub>H</sub>	000003E0 <sub>H</sub>	next PC
	Interrupt	INTCB0R	CSIB0 receive complete interrupt	CSIB0	55	03F0 <sub>H</sub>	000003F0 <sub>H</sub>	next PC
	Interrupt	INTCB0T	CSIB0 transmit interrupt	CSIB0	56	0400 <sub>H</sub>	00000400 <sub>H</sub>	next PC
	Interrupt	INTUA0RE	UARTA0 receive error interrupt	UARTA0	57	0410 <sub>H</sub>	00000410 <sub>H</sub>	next PC
	Interrupt	INTUA0R	UARTA0 receive complete interrupt	UARTA0	58	0420 <sub>H</sub>	00000420 <sub>H</sub>	next PC
	Interrupt	INTUA0T	UARTA0 transmit interrupt	UARTA0	59	0430 <sub>H</sub>	00000430 <sub>H</sub>	next PC
	Interrupt	INTUA1RE	UARTA1 receive error interrupt	UARTA1	60	0440 <sub>H</sub>	00000440 <sub>H</sub>	next PC
	Interrupt	INTUA1R	UARTA1 receive complete interrupt	UARTA1	61	0450 <sub>H</sub>	00000450 <sub>H</sub>	next PC
	Interrupt	INTUA1T	UARTA1 transmit interrupt	UARTA1	62	0460 <sub>H</sub>	00000460 <sub>H</sub>	next PC
	Interrupt	INTIIC0	IIC0 interrupt	IIC0	63	0470 <sub>H</sub>	00000470 <sub>H</sub>	next PC
	Interrupt	INTIIC1	IIC1 interrupt	IIC1	64	0480 <sub>H</sub>	00000480 <sub>H</sub>	next PC
	Interrupt	INTSG0	SG0 interrupt	SG0	65	0490 <sub>H</sub>	00000490 <sub>H</sub>	next PC
	Interrupt	INTDMA0	DMA0 transmission end	DMA0	66	04A0 <sub>H</sub>	000004A0 <sub>H</sub>	next PC
	Interrupt	INTDMA1	DMA1 transmission end	DMA1	67	04B0 <sub>H</sub>	000004B0 <sub>H</sub>	next PC
	Interrupt	INTDMA2	DMA2 transmission end	DMA2	68	04C0 <sub>H</sub>	000004C0 <sub>H</sub>	next PC
	Interrupt	INTDMA3	DMA3 transmission end	DMA3	69	04D0 <sub>H</sub>	000004D0 <sub>H</sub>	next PC
	Interrupt	INT70	not generated by hardware <sup>b</sup>	—	70	04E0 <sub>H</sub>	000004E0 <sub>H</sub>	next PC
	Interrupt	INT71	not generated by hardware <sup>a</sup>	—	71	04F0 <sub>H</sub>	000004F0 <sub>H</sub>	next PC
	Interrupt	INTP7	External interrupt 7	PORT	72	0500 <sub>H</sub>	00000500 <sub>H</sub>	next PC
	Interrupt	INTC1ERR	CAN1 error interrupt	CAN1	73	0510 <sub>H</sub>	00000510 <sub>H</sub>	next PC
	Interrupt	INTC1WUP	CAN1 wake up interrupt	CAN1	74	0520 <sub>H</sub>	00000520 <sub>H</sub>	next PC
	Interrupt	INTC1REC	CAN1 receive interrupt	CAN1	75	0530 <sub>H</sub>	00000530 <sub>H</sub>	next PC
	Interrupt	INTC1TRX	CAN1 transmit interrupt	CAN1	76	0540 <sub>H</sub>	00000540 <sub>H</sub>	next PC
	Interrupt	INTTZ6UV	TMZ6 underflow	TMZ6	77	0550 <sub>H</sub>	00000550 <sub>H</sub>	next PC
	Interrupt	INTTZ7CUV	TMZ7 underflow	TMZ7	78	0560 <sub>H</sub>	00000560 <sub>H</sub>	next PC
	Interrupt	INTTZ8UV	TMZ8 underflow	TMZ8	79	0570 <sub>H</sub>	00000570 <sub>H</sub>	next PC
	Interrupt	INTTZ9UV	TMZ9 underflow	TMZ9	80	0580 <sub>H</sub>	00000580 <sub>H</sub>	next PC
	Interrupt	INTTG2OV0	TMG2 overflow interrupt 0	TMG2	81	0590 <sub>H</sub>	00000590 <sub>H</sub>	next PC
	Interrupt	INTTG2OV1	TMG2 overflow interrupt 1	TMG2	82	05A0 <sub>H</sub>	000005A0 <sub>H</sub>	next PC
	Interrupt	INTTG2CC0	TMG2 capture compare channel 0	TMG2	83	05B0 <sub>H</sub>	000005B0 <sub>H</sub>	next PC
	Interrupt	INTTG2CC1	TMG2 capture compare channel 1	TMG2	84	05C0 <sub>H</sub>	000005C0 <sub>H</sub>	next PC
	Interrupt	INTTG2CC2	TMG2 capture compare channel 2	TMG2	85	05D0 <sub>H</sub>	000005D0 <sub>H</sub>	next PC

Table 5-3  $\mu$ PD70F3424,  $\mu$ PD70F3425,  $\mu$ PD70F3426,  $\mu$ PD70F3427 interrupt/exception source list (4/4)

Type	Classification	Interrupt/Exception Source			Default Priority	Exception Code	Handler Address	Restored PC
		Name	Generating Source	Generating Unit				
Maskable	Interrupt	INTTG2CC3	TMG2 capture compare channel 3	TMG2	86	05E0 <sub>H</sub>	000005E0 <sub>H</sub>	next PC
	Interrupt	INTTG2CC4	TMG2 capture compare channel 4	TMG2	87	05F0 <sub>H</sub>	000005F0 <sub>H</sub>	next PC
	Interrupt	INTTG2CC5	TMG2 capture compare channel 5	TMG2	88	0600 <sub>H</sub>	00000600 <sub>H</sub>	next PC
	Interrupt	INTCB1RE	CSIB1 receive error interrupt	CSIB1	89	0610 <sub>H</sub>	00000610 <sub>H</sub>	next PC
	Interrupt	INTCB1R	CSIB1 receive complete interrupt	CSIB1	90	0620 <sub>H</sub>	00000620 <sub>H</sub>	next PC
	Interrupt	INTCB1T	CSIB1 transmit interrupt	CSIB1	91	0630 <sub>H</sub>	00000630 <sub>H</sub>	next PC
	Interrupt	INTCB2RE	CSIB2 receive error interrupt	CSIB2	92	0640 <sub>H</sub>	00000640 <sub>H</sub>	next PC
	Interrupt	INTCB2R	CSIB2 receive complete interrupt	CSIB2	93	0650 <sub>H</sub>	00000650 <sub>H</sub>	next PC
	Interrupt	INTCB2T	CSIB2 transmit interrupt	CSIB2	94	0660 <sub>H</sub>	00000660 <sub>H</sub>	next PC
	Interrupt	INTLCD	LCDBUSIF transmit interrupt	LCDBUSIF	95	0670 <sub>H</sub>	00000670 <sub>H</sub>	next PC
	Interrupt	INTC2ERR <sup>c</sup>	CAN2 error interrupt	CAN2	96	0680 <sub>H</sub>	00000680 <sub>H</sub>	next PC
	Interrupt	INTC2WUP <sup>c</sup>	CAN2 wake up interrupt	CAN2	97	0690 <sub>H</sub>	00000690 <sub>H</sub>	next PC
	Interrupt	INTC2REC <sup>c</sup>	CAN2 receive interrupt	CAN2	98	06A0 <sub>H</sub>	000006A0 <sub>H</sub>	next PC
	Interrupt	INTC2TRX <sup>c</sup>	CAN2 transmit interrupt	CAN2	99	06B0 <sub>H</sub>	000006B0 <sub>H</sub>	next PC

- a) The internal firmware starts after reset at 0000 0000<sub>H</sub>. The firmware starts the user's program  
- for OTF devices at address 0000 0000<sub>H</sub>  
- for flash memory devices at the address obtained from the variable reset vector
- b) These interrupts can be used as software triggered interrupts.
- c)  $\mu$ PD70F3424,  $\mu$ PDF3427 only

**Default priority:** The priority order when two or more maskable interrupt requests are generated at the same time.  
The highest priority is 0.

1. Restored PC:

The value of the PC saved to EIPC or FEPC when interrupt/exception processing is started. However, the value of the PC saved when an interrupt is acknowledged during division (DIV, DIVH, DIVU, DIVHU) instruction execution is the value of the PC of the current instruction (DIV, DIVH, DIVU, DIVHU).

2. nextPC:

The PC value that starts the processing following interrupt/exception processing.

3. The execution address of the illegal instruction when an illegal opcode exception occurs is calculated by (Restored PC – 4).

Table 5-4  $\mu$ PD70F3421,  $\mu$ PD70F3422,  $\mu$ PD70F3423 interrupt/exception source list (1/4)

Type	Classification	Interrupt/Exception Source			Default Priority	Exception Code	Handler Address	Restored PC
		Name	Generating Source	Generating Unit				
Reset	Interrupt	RESET	RESET input	Pin	-	0000 <sub>H</sub>	00000000 <sub>H</sub>	undef.
Non-maskable	Interrupt	NMI0	NMI Input	PORT	-	0010 <sub>H</sub>	00000010 <sub>H</sub>	nextPC
		NMIWDT	Watchdog Timer	WDT	-	0020 <sub>H</sub>	00000020 <sub>H</sub>	nextPC
		NMI2	Unused	-	-	0030 <sub>H</sub>	00000030 <sub>H</sub>	nextPC
Software exception	Exception	TRAP0n (n = 0 to F <sub>H</sub> )	TRAP instruction	-	-	004n <sub>H</sub> (n = 0 to F <sub>H</sub> )	00000040 <sub>H</sub>	nextPC
	Exception	TRAP1n (n = 0 to F <sub>H</sub> )	TRAP instruction	-	-	005n <sub>H</sub> (n = 0 to F <sub>H</sub> )	00000050 <sub>H</sub>	nextPC
Exception trap	Exception	ILGOP/ DBTRAP	Illegal opcode/ DBTRAP instruction	-	-	0060 <sub>H</sub>	00000060 <sub>H</sub>	nextPC
Maskable	Interrupt	INTVC0	Voltage Comparator 0	AC0	0	0080 <sub>H</sub>	00000080 <sub>H</sub>	next PC
	Interrupt	INTVC1	Voltage Comparator 1	AC1	1	0090 <sub>H</sub>	00000090 <sub>H</sub>	next PC
	Interrupt	INTWT0UV	WT0 underflow	WT0	2	00A0 <sub>H</sub>	000000A0 <sub>H</sub>	next PC
	Interrupt	INTWT1UV	WT1 underflow	WT1	3	00B0 <sub>H</sub>	000000B0 <sub>H</sub>	next PC
	Interrupt	Reserved	Reserved	-	4	00C0 <sub>H</sub>	000000C0 <sub>H</sub>	next PC
	Interrupt	INTTM01	Watch calibration timer capture compare	WCT	5	00D0 <sub>H</sub>	000000D0 <sub>H</sub>	next PC
	Interrupt	INTP0	External interrupt 0	PORT	6	00E0 <sub>H</sub>	000000E0 <sub>H</sub>	next PC
	Interrupt	INTP1	External interrupt 1		7	00F0 <sub>H</sub>	000000F0 <sub>H</sub>	next PC
	Interrupt	INTP2	External interrupt 2		8	0100 <sub>H</sub>	00000100 <sub>H</sub>	next PC
	Interrupt	INTP3	External interrupt 3		9	0110 <sub>H</sub>	00000110 <sub>H</sub>	next PC
	Interrupt	INTP4	External interrupt 4		10	0120 <sub>H</sub>	00000120 <sub>H</sub>	next PC
	Interrupt	INTP5	External interrupt 5		11	0130 <sub>H</sub>	00000130 <sub>H</sub>	next PC
	Interrupt	INTP6	External interrupt 6		12	0140 <sub>H</sub>	00000140 <sub>H</sub>	next PC
	Interrupt	INTTZ0UV	TMZ0 underflow	TMZ0	13	0150 <sub>H</sub>	00000150 <sub>H</sub>	next PC
	Interrupt	INTTZ1UV	TMZ1 underflow	TMZ1	14	0160 <sub>H</sub>	00000160 <sub>H</sub>	next PC
	Interrupt	INTTZ2UV	TMZ2 underflow	TMZ2	15	0170 <sub>H</sub>	00000170 <sub>H</sub>	next PC
	Interrupt	INTTZ3UV	TMZ3 underflow	TMZ3	16	0180 <sub>H</sub>	00000180 <sub>H</sub>	next PC
	Interrupt	INTTZ4UV	TMZ4 underflow	TMZ4	17	0190 <sub>H</sub>	00000190 <sub>H</sub>	next PC
	Interrupt	INTTZ5UV	TMZ5 underflow	TMZ5	18	01A0 <sub>H</sub>	000001A0 <sub>H</sub>	next PC
	Interrupt	INTTP0OV	TMP0 overflow	TMP0	19	01B0 <sub>H</sub>	000001B0 <sub>H</sub>	next PC
	Interrupt	INTTP0CC0	TMP0 capture compare channel 0		20	01C0 <sub>H</sub>	000001C0 <sub>H</sub>	next PC
	Interrupt	INTTP0CC1	TMP0 capture compare channel 1		21	01D0 <sub>H</sub>	000001D0 <sub>H</sub>	next PC
	Interrupt	INTTP1OV	TMP1 overflow	TMP1	22	01E0 <sub>H</sub>	000001E0 <sub>H</sub>	next PC
	Interrupt	INTTP1CC0	TMP1 capture compare channel 0		23	01F0 <sub>H</sub>	000001F0 <sub>H</sub>	next PC
Interrupt	INTTP1CC1	TMP1 capture compare channel 1	24		0200 <sub>H</sub>	00000200 <sub>H</sub>	next PC	

Table 5-4  $\mu$ PD70F3421,  $\mu$ PD70F3422,  $\mu$ PD70F3423 interrupt/exception source list (2/4)

Type	Classification	Interrupt/Exception Source			Default Priority	Exception Code	Handler Address	Restored PC
		Name	Generating Source	Generating Unit				
Maskable	Interrupt	INTTP2OV	TMP2 overflow	TMP2	25	0210 <sub>H</sub>	00000210 <sub>H</sub>	next PC
	Interrupt	INTTP2CC0	TMP2 capture compare channel 0		26	0220 <sub>H</sub>	00000220 <sub>H</sub>	next PC
	Interrupt	INTTP2CC1	TMP2 capture compare channel 1		27	0230 <sub>H</sub>	00000230 <sub>H</sub>	next PC
	Interrupt	INTTP3OV	TMP3 overflow	TMP3	28	0240 <sub>H</sub>	00000240 <sub>H</sub>	next PC
	Interrupt	INTTP3CC0	TMP3 capture compare channel 0		29	0250 <sub>H</sub>	00000250 <sub>H</sub>	next PC
	Interrupt	INTTP3CC1	TMP3 capture compare channel 1		30	0260 <sub>H</sub>	00000260 <sub>H</sub>	next PC
	Interrupt	INTTG0OV0	TMG0 overflow interrupt 0	TMG0	31	0270 <sub>H</sub>	00000270 <sub>H</sub>	next PC
	Interrupt	INTTG0OV1	TMG0 overflow interrupt 1		32	0280 <sub>H</sub>	00000280 <sub>H</sub>	next PC
	Interrupt	INTTG0CC0	TMG0 capture compare channel 0		33	0290 <sub>H</sub>	00000290 <sub>H</sub>	next PC
	Interrupt	INTTG0CC1	TMG0 capture compare channel 1		34	02A0 <sub>H</sub>	000002A0 <sub>H</sub>	next PC
	Interrupt	INTTG0CC2	TMG0 capture compare channel 2		35	02B0 <sub>H</sub>	000002B0 <sub>H</sub>	next PC
	Interrupt	INTTG0CC3	TMG0 capture compare channel 3		36	02C0 <sub>H</sub>	000002C0 <sub>H</sub>	next PC
	Interrupt	INTTG0CC4	TMG0 capture compare channel 4		37	02D0 <sub>H</sub>	000002D0 <sub>H</sub>	next PC
	Interrupt	INTTG0CC5	TMG0 capture compare channel 5		38	02E0 <sub>H</sub>	000002E0 <sub>H</sub>	next PC
	Interrupt	INTTG1OV0	TMG1 overflow interrupt 0		TMG1	39	02F0 <sub>H</sub>	000002F0 <sub>H</sub>
	Interrupt	INTTG1OV1	TMG1 overflow interrupt 1	40		0300 <sub>H</sub>	00000300 <sub>H</sub>	next PC
	Interrupt	INTTG1CC0	TMG1 capture compare channel 0	41		0310 <sub>H</sub>	00000310 <sub>H</sub>	next PC
	Interrupt	INTTG1CC1	TMG1 capture compare channel 1	42		0320 <sub>H</sub>	00000320 <sub>H</sub>	next PC
	Interrupt	INTTG1CC2	TMG1 capture compare channel 2	43		0330 <sub>H</sub>	00000330 <sub>H</sub>	next PC
	Interrupt	INTTG1CC3	TMG1 capture compare channel 3	44		0340 <sub>H</sub>	00000340 <sub>H</sub>	next PC
Interrupt	INTTG1CC4	TMG1 capture compare channel 4	45	0350 <sub>H</sub>		00000350 <sub>H</sub>	next PC	
Interrupt	INTTG1CC5	TMG1 capture compare channel 5	46	0360 <sub>H</sub>		00000360 <sub>H</sub>	next PC	
Interrupt	INTTY0UV0	TMY0 channel 0 underflow	TMY0	47	0370 <sub>H</sub>	00000370 <sub>H</sub>	next PC	
Interrupt	INTTY0UV1	TMY0 channel 1 underflow		48	0380 <sub>H</sub>	00000380 <sub>H</sub>	next PC	
Interrupt	INTAD	ADC end of conversion	ADC	49	0390 <sub>H</sub>	00000390 <sub>H</sub>	next PC	

www.DataSheet4U.com

Table 5-4  $\mu$ PD70F3421,  $\mu$ PD70F3422,  $\mu$ PD70F3423 interrupt/exception source list (3/4)

Type	Classification	Interrupt/Exception Source			Default Priority	Exception Code	Handler Address	Restored PC
		Name	Generating Source	Generating Unit				
Maskable	Interrupt	INTC0ERR	CAN0 error interrupt	CAN0	50	03A0 <sub>H</sub>	000003A0 <sub>H</sub>	next PC
	Interrupt	INTC0WUP	CAN0 wake up interrupt		51	03B0 <sub>H</sub>	000003B0 <sub>H</sub>	next PC
	Interrupt	INTC0REC	CAN0 receive interrupt		52	03C0 <sub>H</sub>	000003C0 <sub>H</sub>	next PC
	Interrupt	INTC0TRX	CAN0 transmit interrupt		53	03D0 <sub>H</sub>	000003D0 <sub>H</sub>	next PC
	Interrupt	INTCB0RE	CSIB0 receive error interrupt	CSIB0	54	03E0 <sub>H</sub>	000003E0 <sub>H</sub>	next PC
	Interrupt	INTCB0R	CSIB0 receive complete interrupt		55	03F0 <sub>H</sub>	000003F0 <sub>H</sub>	next PC
	Interrupt	INTCB0T	CSIB0 transmit interrupt		56	0400 <sub>H</sub>	00000400 <sub>H</sub>	next PC
	Interrupt	INTUA0RE	UARTA0 receive error interrupt	UARTA0	57	0410 <sub>H</sub>	00000410 <sub>H</sub>	next PC
	Interrupt	INTUA0R	UARTA0 receive complete interrupt		58	0420 <sub>H</sub>	00000420 <sub>H</sub>	next PC
	Interrupt	INTUA0T	UARTA0 transmit interrupt		59	0430 <sub>H</sub>	00000430 <sub>H</sub>	next PC
	Interrupt	INTUA1RE	UARTA1 receive error interrupt	UARTA1	60	0440 <sub>H</sub>	00000440 <sub>H</sub>	next PC
	Interrupt	INTUA1R	UARTA1 receive complete interrupt		61	0450 <sub>H</sub>	00000450 <sub>H</sub>	next PC
	Interrupt	INTUA1T	UARTA1 transmit interrupt		62	0460 <sub>H</sub>	00000460 <sub>H</sub>	next PC
	Interrupt	INTIIC0	IIC0 interrupt	IIC0	63	0470 <sub>H</sub>	00000470 <sub>H</sub>	next PC
	Interrupt	INTIIC1	IIC1 interrupt	IIC1	64	0480 <sub>H</sub>	00000480 <sub>H</sub>	next PC
	Interrupt	INTSG0	SG0 interrupt	SG0	65	0490 <sub>H</sub>	00000490 <sub>H</sub>	next PC
	Interrupt	INTDMA0	DMA0 transmission end	DMA0	66	04A0 <sub>H</sub>	000004A0 <sub>H</sub>	next PC
	Interrupt	INTDMA1	DMA1 transmission end	DMA1	67	04B0 <sub>H</sub>	000004B0 <sub>H</sub>	next PC
	Interrupt	INTDMA2	DMA2 transmission end	DMA2	68	04C0 <sub>H</sub>	000004C0 <sub>H</sub>	next PC
	Interrupt	INTDMA3	DMA3 transmission end	DMA3	69	04D0 <sub>H</sub>	000004D0 <sub>H</sub>	next PC
	Interrupt	INT70	not generated by hardware <sup>a</sup>	—	70	04E0 <sub>H</sub>	000004E0 <sub>H</sub>	next PC
	Interrupt	INT71	not generated by hardware <sup>a</sup>	—	71	04F0 <sub>H</sub>	000004F0 <sub>H</sub>	next PC
	Interrupt	Reserved	Reserved	—	72	0500 <sub>H</sub>	00000500 <sub>H</sub>	next PC
	Interrupt	INTC1ERR	CAN1 error interrupt	CAN1	73	0510 <sub>H</sub>	00000510 <sub>H</sub>	next PC
	Interrupt	INTC1WUP	CAN1 wake up interrupt		74	0520 <sub>H</sub>	00000520 <sub>H</sub>	next PC
	Interrupt	INTC1REC	CAN1 receive interrupt		75	0530 <sub>H</sub>	00000530 <sub>H</sub>	next PC
	Interrupt	INTC1TRX	CAN1 transmit interrupt		76	0540 <sub>H</sub>	00000540 <sub>H</sub>	next PC
	Interrupt	Reserved	Reserved	—	77	0550 <sub>H</sub>	00000550 <sub>H</sub>	next PC
				—	78	0560 <sub>H</sub>	00000560 <sub>H</sub>	next PC
				—	79	0570 <sub>H</sub>	00000570 <sub>H</sub>	next PC
			—	80	0580 <sub>H</sub>	00000580 <sub>H</sub>	next PC	

Table 5-4  $\mu$ PD70F3421,  $\mu$ PD70F3422,  $\mu$ PD70F3423 interrupt/exception source list (4/4)

Type	Classification	Interrupt/Exception Source			Default Priority	Exception Code	Handler Address	Restored PC
		Name	Generating Source	Generating Unit				
Maskable	Interrupt	INTTG2OV0	TMG2 overflow interrupt 0	TMG2	81	0590 <sub>H</sub>	00000590 <sub>H</sub>	next PC
	Interrupt	INTTG2OV1	TMG2 overflow interrupt 1		82	05A0 <sub>H</sub>	000005A0 <sub>H</sub>	next PC
	Interrupt	INTTG2CC0	TMG2 capture compare channel 0		83	05B0 <sub>H</sub>	000005B0 <sub>H</sub>	next PC
	Interrupt	INTTG2CC1	TMG2 capture compare channel 1		84	05C0 <sub>H</sub>	000005C0 <sub>H</sub>	next PC
	Interrupt	INTTG2CC2	TMG2 capture compare channel 2		85	05D0 <sub>H</sub>	000005D0 <sub>H</sub>	next PC
	Interrupt	INTTG2CC3	TMG2 capture compare channel 3		86	05E0 <sub>H</sub>	000005E0 <sub>H</sub>	next PC
	Interrupt	INTTG2CC4	TMG2 capture compare channel 4		87	05F0 <sub>H</sub>	000005F0 <sub>H</sub>	next PC
	Interrupt	INTTG2CC5	TMG2 capture compare channel 5		88	0600 <sub>H</sub>	00000600 <sub>H</sub>	next PC
	Interrupt	INTCB1RE	CSIB1 receive error interrupt	CSIB1	89	0610 <sub>H</sub>	00000610 <sub>H</sub>	next PC
	Interrupt	INTCB1R	CSIB1 receive complete interrupt		90	0620 <sub>H</sub>	00000620 <sub>H</sub>	next PC
	Interrupt	INTCB1T	CSIB1 transmit interrupt		91	0630 <sub>H</sub>	00000630 <sub>H</sub>	next PC
	Interrupt	Reserved	Reserved	—	92	0640 <sub>H</sub>	00000640 <sub>H</sub>	next PC
				—	93	0650 <sub>H</sub>	00000650 <sub>H</sub>	next PC
				—	94	0660 <sub>H</sub>	00000660 <sub>H</sub>	next PC
	Interrupt	INTLCD	LCDBUSIF transmit interrupt	LCDBUSIF	95	0670 <sub>H</sub>	00000670 <sub>H</sub>	next PC
	Interrupt	INTC2ERR	CAN2 error interrupt	CAN2	96	0680 <sub>H</sub>	00000680 <sub>H</sub>	next PC
	Interrupt	INTC2WUP	CAN2 wake up interrupt		97	0690 <sub>H</sub>	00000690 <sub>H</sub>	next PC
	Interrupt	INTC2REC	CAN2 receive interrupt		98	06A0 <sub>H</sub>	000006A0 <sub>H</sub>	next PC
	Interrupt	INTC2TRX	CAN2 transmit interrupt		99	06B0 <sub>H</sub>	000006B0 <sub>H</sub>	next PC

a) These interrupts can be used as software triggered interrupts.

Table 5-5  $\mu$ PD70F3424,  $\mu$ PD70F3425,  $\mu$ PD70F3426A,  $\mu$ PD70F3427 interrupt/exception source list (1/4)

Type	Classification	Interrupt/Exception Source			Default Priority	Exception Code	Handler Address	Restored PC
		Name	Generating Source	Generating Unit				
Reset	Interrupt	RESET	$\overline{\text{RESET}}$ input	Pin	-	0000 <sub>H</sub>	00000000 <sub>H</sub>	undef.
Non-maskable	Interrupt	NMI0	NMI Input	PORT	-	0010 <sub>H</sub>	00000010 <sub>H</sub>	nextPC
		NMIWDT	Watchdog Timer	WDT	-	0020 <sub>H</sub>	00000020 <sub>H</sub>	nextPC
		NMI2	Unused	-	-	0030 <sub>H</sub>	00000030 <sub>H</sub>	nextPC
Software exception	Exception	TRAP0n (n = 0 to F <sub>H</sub> )	TRAP instruction	-	-	004n <sub>H</sub> (n = 0 to F <sub>H</sub> )	00000040 <sub>H</sub>	nextPC
	Exception	TRAP1n (n = 0 to F <sub>H</sub> )	TRAP instruction	-	-	005n <sub>H</sub> (n = 0 to F <sub>H</sub> )	00000050 <sub>H</sub>	nextPC
Exception trap	Exception	ILGOP/ DBTRAP	Illegal opcode/ DBTRAP instruction	-	-	0060 <sub>H</sub>	00000060 <sub>H</sub>	nextPC
Maskable	Interrupt	INTVC0	Voltage Comparator 0	AC0	0	0080 <sub>H</sub>	00000080 <sub>H</sub>	next PC
	Interrupt	INTVC1	Voltage Comparator 1	AC1	1	0090 <sub>H</sub>	00000090 <sub>H</sub>	next PC
	Interrupt	INTWT0UV	WT0 underflow	WT0	2	00A0 <sub>H</sub>	000000A0 <sub>H</sub>	next PC
	Interrupt	INTWT1UV	WT1 underflow	WT1	3	00B0 <sub>H</sub>	000000B0 <sub>H</sub>	next PC
	Interrupt	Reserved	Reserved	-	4	00C0 <sub>H</sub>	000000C0 <sub>H</sub>	next PC
	Interrupt	INTTM01	Watch calibration timer capture compare	WCT	5	00D0 <sub>H</sub>	000000D0 <sub>H</sub>	next PC
	Interrupt	INTP0	External interrupt 0	PORT	6	00E0 <sub>H</sub>	000000E0 <sub>H</sub>	next PC
	Interrupt	INTP1	External interrupt 1		7	00F0 <sub>H</sub>	000000F0 <sub>H</sub>	next PC
	Interrupt	INTP2	External interrupt 2		8	0100 <sub>H</sub>	00000100 <sub>H</sub>	next PC
	Interrupt	INTP3	External interrupt 3		9	0110 <sub>H</sub>	00000110 <sub>H</sub>	next PC
	Interrupt	INTP4	External interrupt 4		10	0120 <sub>H</sub>	00000120 <sub>H</sub>	next PC
	Interrupt	INTP5	External interrupt 5		11	0130 <sub>H</sub>	00000130 <sub>H</sub>	next PC
	Interrupt	INTP6	External interrupt 6		12	0140 <sub>H</sub>	00000140 <sub>H</sub>	next PC
	Interrupt	INTTZ0UV	TMZ0 underflow	TMZ0	13	0150 <sub>H</sub>	00000150 <sub>H</sub>	next PC
	Interrupt	INTTZ1UV	TMZ1 underflow	TMZ1	14	0160 <sub>H</sub>	00000160 <sub>H</sub>	next PC
	Interrupt	INTTZ2UV	TMZ2 underflow	TMZ2	15	0170 <sub>H</sub>	00000170 <sub>H</sub>	next PC
	Interrupt	INTTZ3UV	TMZ3 underflow	TMZ3	16	0180 <sub>H</sub>	00000180 <sub>H</sub>	next PC
	Interrupt	INTTZ4UV	TMZ4 underflow	TMZ4	17	0190 <sub>H</sub>	00000190 <sub>H</sub>	next PC
	Interrupt	INTTZ5UV	TMZ5 underflow	TMZ5	18	01A0 <sub>H</sub>	000001A0 <sub>H</sub>	next PC
	Interrupt	INTTP0OV	TMP0 overflow	TMP0	19	01B0 <sub>H</sub>	000001B0 <sub>H</sub>	next PC
	Interrupt	INTTP0CC0	TMP0 capture compare channel 0		20	01C0 <sub>H</sub>	000001C0 <sub>H</sub>	next PC
	Interrupt	INTTP0CC1	TMP0 capture compare channel 1		21	01D0 <sub>H</sub>	000001D0 <sub>H</sub>	next PC
	Interrupt	INTTP1OV	TMP1 overflow	TMP1	22	01E0 <sub>H</sub>	000001E0 <sub>H</sub>	next PC
	Interrupt	INTTP1CC0	TMP1 capture compare channel 0		23	01F0 <sub>H</sub>	000001F0 <sub>H</sub>	next PC
Interrupt	INTTP1CC1	TMP1 capture compare channel 1	24		0200 <sub>H</sub>	00000200 <sub>H</sub>	next PC	



Table 5-5  $\mu$ PD70F3424,  $\mu$ PD70F3425,  $\mu$ PD70F3426A,  $\mu$ PD70F3427 interrupt/exception source list (2/4)

Type	Classification	Interrupt/Exception Source			Default Priority	Exception Code	Handler Address	Restored PC
		Name	Generating Source	Generating Unit				
Maskable	Interrupt	INTTP2OV	TMP2 overflow	TMP2	25	0210 <sub>H</sub>	00000210 <sub>H</sub>	next PC
	Interrupt	INTTP2CC0	TMP2 capture compare channel 0		26	0220 <sub>H</sub>	00000220 <sub>H</sub>	next PC
	Interrupt	INTTP2CC1	TMP2 capture compare channel 1		27	0230 <sub>H</sub>	00000230 <sub>H</sub>	next PC
	Interrupt	INTTP3OV	TMP3 overflow	TMP3	28	0240 <sub>H</sub>	00000240 <sub>H</sub>	next PC
	Interrupt	INTTP3CC0	TMP3 capture compare channel 0		29	0250 <sub>H</sub>	00000250 <sub>H</sub>	next PC
	Interrupt	INTTP3CC1	TMP3 capture compare channel 1		30	0260 <sub>H</sub>	00000260 <sub>H</sub>	next PC
	Interrupt	INTTG0OV0	TMG0 overflow interrupt 0	TMG0	31	0270 <sub>H</sub>	00000270 <sub>H</sub>	next PC
	Interrupt	INTTG0OV1	TMG0 overflow interrupt 1		32	0280 <sub>H</sub>	00000280 <sub>H</sub>	next PC
	Interrupt	INTTG0CC0	TMG0 capture compare channel 0		33	0290 <sub>H</sub>	00000290 <sub>H</sub>	next PC
	Interrupt	INTTG0CC1	TMG0 capture compare channel 1		34	02A0 <sub>H</sub>	000002A0 <sub>H</sub>	next PC
	Interrupt	INTTG0CC2	TMG0 capture compare channel 2		35	02B0 <sub>H</sub>	000002B0 <sub>H</sub>	next PC
	Interrupt	INTTG0CC3	TMG0 capture compare channel 3		36	02C0 <sub>H</sub>	000002C0 <sub>H</sub>	next PC
	Interrupt	INTTG0CC4	TMG0 capture compare channel 4		37	02D0 <sub>H</sub>	000002D0 <sub>H</sub>	next PC
	Interrupt	INTTG0CC5	TMG0 capture compare channel 5		38	02E0 <sub>H</sub>	000002E0 <sub>H</sub>	next PC
	Interrupt	INTTG1OV0	TMG1 overflow interrupt 0		TMG1	39	02F0 <sub>H</sub>	000002F0 <sub>H</sub>
	Interrupt	INTTG1OV1	TMG1 overflow interrupt 1	40		0300 <sub>H</sub>	00000300 <sub>H</sub>	next PC
	Interrupt	INTTG1CC0	TMG1 capture compare channel 0	41		0310 <sub>H</sub>	00000310 <sub>H</sub>	next PC
	Interrupt	INTTG1CC1	TMG1 capture compare channel 1	42		0320 <sub>H</sub>	00000320 <sub>H</sub>	next PC
	Interrupt	INTTG1CC2	TMG1 capture compare channel 2	43		0330 <sub>H</sub>	00000330 <sub>H</sub>	next PC
	Interrupt	INTTG1CC3	TMG1 capture compare channel 3	44		0340 <sub>H</sub>	00000340 <sub>H</sub>	next PC
Interrupt	INTTG1CC4	TMG1 capture compare channel 4	45	0350 <sub>H</sub>		00000350 <sub>H</sub>	next PC	
Interrupt	INTTG1CC5	TMG1 capture compare channel 5	46	0360 <sub>H</sub>		00000360 <sub>H</sub>	next PC	
Interrupt	INTTY0UV0	TMY0 channel 0 underflow	TMY0	47	0370 <sub>H</sub>	00000370 <sub>H</sub>	next PC	
Interrupt	INTTY0UV1	TMY0 channel 1 underflow		48	0380 <sub>H</sub>	00000380 <sub>H</sub>	next PC	
Interrupt	INTAD	ADC end of conversion	ADC	49	0390 <sub>H</sub>	00000390 <sub>H</sub>	next PC	

www.DataSheet4U.com

Table 5-5  $\mu$ PD70F3424,  $\mu$ PD70F3425,  $\mu$ PD70F3426A,  $\mu$ PD70F3427 interrupt/exception source list (3/4)

Type	Classification	Interrupt/Exception Source			Default Priority	Exception Code	Handler Address	Restored PC
		Name	Generating Source	Generating Unit				
Maskable	Interrupt	INTC0ERR	CAN0 error interrupt	CAN0	50	03A0 <sub>H</sub>	000003A0 <sub>H</sub>	next PC
	Interrupt	INTC0WUP	CAN0 wake up interrupt		51	03B0 <sub>H</sub>	000003B0 <sub>H</sub>	next PC
	Interrupt	INTC0REC	CAN0 receive interrupt		52	03C0 <sub>H</sub>	000003C0 <sub>H</sub>	next PC
	Interrupt	INTC0TRX	CAN0 transmit interrupt		53	03D0 <sub>H</sub>	000003D0 <sub>H</sub>	next PC
	Interrupt	INTCB0RE	CSIB0 receive error interrupt	CSIB0	54	03E0 <sub>H</sub>	000003E0 <sub>H</sub>	next PC
	Interrupt	INTCB0R	CSIB0 receive complete interrupt		55	03F0 <sub>H</sub>	000003F0 <sub>H</sub>	next PC
	Interrupt	INTCB0T	CSIB0 transmit interrupt		56	0400 <sub>H</sub>	00000400 <sub>H</sub>	next PC
	Interrupt	INTUA0RE	UARTA0 receive error interrupt	UARTA0	57	0410 <sub>H</sub>	00000410 <sub>H</sub>	next PC
	Interrupt	INTUA0R	UARTA0 receive complete interrupt		58	0420 <sub>H</sub>	00000420 <sub>H</sub>	next PC
	Interrupt	INTUA0T	UARTA0 transmit interrupt		59	0430 <sub>H</sub>	00000430 <sub>H</sub>	next PC
	Interrupt	INTUA1RE	UARTA1 receive error interrupt	UARTA1	60	0440 <sub>H</sub>	00000440 <sub>H</sub>	next PC
	Interrupt	INTUA1R	UARTA1 receive complete interrupt		61	0450 <sub>H</sub>	00000450 <sub>H</sub>	next PC
	Interrupt	INTUA1T	UARTA1 transmit interrupt		62	0460 <sub>H</sub>	00000460 <sub>H</sub>	next PC
	Interrupt	INTIIC0	IIC0 interrupt	IIC0	63	0470 <sub>H</sub>	00000470 <sub>H</sub>	next PC
	Interrupt	INTIIC1	IIC1 interrupt	IIC1	64	0480 <sub>H</sub>	00000480 <sub>H</sub>	next PC
	Interrupt	INTSG0	SG0 interrupt	SG0	65	0490 <sub>H</sub>	00000490 <sub>H</sub>	next PC
	Interrupt	INTDMA0	DMA0 transmission end	DMA0	66	04A0 <sub>H</sub>	000004A0 <sub>H</sub>	next PC
	Interrupt	INTDMA1	DMA1 transmission end	DMA1	67	04B0 <sub>H</sub>	000004B0 <sub>H</sub>	next PC
	Interrupt	INTDMA2	DMA2 transmission end	DMA2	68	04C0 <sub>H</sub>	000004C0 <sub>H</sub>	next PC
	Interrupt	INTDMA3	DMA3 transmission end	DMA3	69	04D0 <sub>H</sub>	000004D0 <sub>H</sub>	next PC
Interrupt	INT70	not generated by hardware <sup>a</sup>	—	70	04E0 <sub>H</sub>	000004E0 <sub>H</sub>	next PC	
Interrupt	INT71	not generated by hardware <sup>a</sup>	—	71	04F0 <sub>H</sub>	000004F0 <sub>H</sub>	next PC	
Interrupt	INTP7	External interrupt 7	PORT	72	0500 <sub>H</sub>	00000500 <sub>H</sub>	next PC	
Interrupt	INTC1ERR	CAN1 error interrupt	CAN1	73	0510 <sub>H</sub>	00000510 <sub>H</sub>	next PC	
Interrupt	INTC1WUP	CAN1 wake up interrupt		74	0520 <sub>H</sub>	00000520 <sub>H</sub>	next PC	
Interrupt	INTC1REC	CAN1 receive interrupt		75	0530 <sub>H</sub>	00000530 <sub>H</sub>	next PC	
Interrupt	INTC1TRX	CAN1 transmit interrupt		76	0540 <sub>H</sub>	00000540 <sub>H</sub>	next PC	
Interrupt	INTTZ6UV	TMZ6 underflow	TMZ6	77	0550 <sub>H</sub>	00000550 <sub>H</sub>	next PC	
Interrupt	INTTZ7CUV	TMZ7 underflow	TMZ7	78	0560 <sub>H</sub>	00000560 <sub>H</sub>	next PC	
Interrupt	INTTZ8UV	TMZ8 underflow	TMZ8	79	0570 <sub>H</sub>	00000570 <sub>H</sub>	next PC	
Interrupt	INTTZ9UV	TMZ9 underflow	TMZ9	80	0580 <sub>H</sub>	00000580 <sub>H</sub>	next PC	

Table 5-5  $\mu$ PD70F3424,  $\mu$ PD70F3425,  $\mu$ PD70F3426A,  $\mu$ PD70F3427 interrupt/exception source list (4/4)

Type	Classification	Interrupt/Exception Source			Default Priority	Exception Code	Handler Address	Restored PC
		Name	Generating Source	Generating Unit				
Maskable	Interrupt	INTTG2OV0	TMG2 overflow interrupt 0	TMG2	81	0590 <sub>H</sub>	00000590 <sub>H</sub>	next PC
	Interrupt	INTTG2OV1	TMG2 overflow interrupt 1		82	05A0 <sub>H</sub>	000005A0 <sub>H</sub>	next PC
	Interrupt	INTTG2CC0	TMG2 capture compare channel 0		83	05B0 <sub>H</sub>	000005B0 <sub>H</sub>	next PC
	Interrupt	INTTG2CC1	TMG2 capture compare channel 1		84	05C0 <sub>H</sub>	000005C0 <sub>H</sub>	next PC
	Interrupt	INTTG2CC2	TMG2 capture compare channel 2		85	05D0 <sub>H</sub>	000005D0 <sub>H</sub>	next PC
	Interrupt	INTTG2CC3	TMG2 capture compare channel 3		86	05E0 <sub>H</sub>	000005E0 <sub>H</sub>	next PC
	Interrupt	INTTG2CC4	TMG2 capture compare channel 4		87	05F0 <sub>H</sub>	000005F0 <sub>H</sub>	next PC
	Interrupt	INTTG2CC5	TMG2 capture compare channel 5		88	0600 <sub>H</sub>	00000600 <sub>H</sub>	next PC
	Interrupt	INTCB1RE	CSIB1 receive error interrupt	CSIB1	89	0610 <sub>H</sub>	00000610 <sub>H</sub>	next PC
	Interrupt	INTCB1R	CSIB1 receive complete interrupt		90	0620 <sub>H</sub>	00000620 <sub>H</sub>	next PC
	Interrupt	INTCB1T	CSIB1 transmit interrupt		91	0630 <sub>H</sub>	00000630 <sub>H</sub>	next PC
	Interrupt	INTCB2RE	CSIB2 receive error interrupt	CSIB2	92	0640 <sub>H</sub>	00000640 <sub>H</sub>	next PC
	Interrupt	INTCB2R	CSIB2 receive complete interrupt		93	0650 <sub>H</sub>	00000650 <sub>H</sub>	next PC
	Interrupt	INTCB2T	CSIB2 transmit interrupt		94	0660 <sub>H</sub>	00000660 <sub>H</sub>	next PC
	Interrupt	INTLCD	LCDBUSIF transmit interrupt	LCDBUSIF	95	0670 <sub>H</sub>	00000670 <sub>H</sub>	next PC
	Interrupt	INTC2ERR <sup>b</sup>	CAN2 error interrupt	CAN2	96	0680 <sub>H</sub>	00000680 <sub>H</sub>	next PC
	Interrupt	INTC2WUP <sup>b</sup>	CAN2 wake up interrupt		97	0690 <sub>H</sub>	00000690 <sub>H</sub>	next PC
	Interrupt	INTC2REC <sup>b</sup>	CAN2 receive interrupt		98	06A0 <sub>H</sub>	000006A0 <sub>H</sub>	next PC
	Interrupt	INTC2TRX <sup>b</sup>	CAN2 transmit interrupt		99	06B0 <sub>H</sub>	000006B0 <sub>H</sub>	next PC

a) These interrupts can be used as software triggered interrupts.

b) not available on  $\mu$ PD70F3426A

**Default priority:** The priority order when two or more maskable interrupt requests are generated at the same time. The highest priority is 0.

1. Restored PC:

The value of the PC saved to EIPC or FEPC when interrupt/exception processing is started. However, the value of the PC saved when an interrupt is acknowledged during division (DIV, DIVH, DIVU, DIVHU) instruction execution is the value of the PC of the current instruction (DIV, DIVH, DIVU, DIVHU).

2. nextPC:

The PC value that starts the processing following interrupt/exception processing.

3. The execution address of the illegal instruction when an illegal opcode exception occurs is calculated by (Restored PC – 4).

Table 5-6 Interrupt/exception source list (1/3)

Type	Classification	Interrupt/Exception Source			Default Priority	Exception Code	Handler Address	Restored PC
		Name	Generating Source	Generating Unit				
Reset	Interrupt	RESET	RESET input	Pin	-	0000 <sub>H</sub>	00000000 <sub>H</sub>	undef.
Non-maskable	Interrupt	NMI0	NMI Input	PORT	-	0010 <sub>H</sub>	00000010 <sub>H</sub>	nextPC
		NMIWDT	Watchdog Timer	WDT	-	0020 <sub>H</sub>	00000020 <sub>H</sub>	nextPC
		NMI2	Unused	-	-	0030 <sub>H</sub>	00000030 <sub>H</sub>	nextPC
Software exception	Exception	TRAP0n (n = 0 to F <sub>H</sub> )	TRAP instruction	-	-	004n <sub>H</sub> (n = 0 to F <sub>H</sub> )	00000040 <sub>H</sub>	nextPC
	Exception	TRAP1n (n = 0 to F <sub>H</sub> )	TRAP instruction	-	-	005n <sub>H</sub> (n = 0 to F <sub>H</sub> )	00000050 <sub>H</sub>	nextPC
Exception trap	Exception	ILGOP/ DBTRAP	Illegal opcode/ DBTRAP instruction	-	-	0060 <sub>H</sub>	00000060 <sub>H</sub>	nextPC
Maskable	Interrupt	Reserved	Reserved	-	0...1	0xx0 <sub>H</sub>	00000xx0 <sub>H</sub>	nextPC
	Interrupt	INTWT0UV	WT0 underflow	WT0	2	00A0 <sub>H</sub>	000000A0 <sub>H</sub>	next PC
	Interrupt	INTWT1UV	WT1 underflow	WT1	3	00B0 <sub>H</sub>	000000B0 <sub>H</sub>	next PC
	Interrupt	Reserved	Reserved	-	4	00C0 <sub>H</sub>	000000C0 <sub>H</sub>	next PC
	Interrupt	INTTM01	Watch calibration timer capture compare	WCT	5	00D0 <sub>H</sub>	000000D0 <sub>H</sub>	next PC
	Interrupt	INTP0	External interrupt 0	PORT	6	00E0 <sub>H</sub>	000000E0 <sub>H</sub>	next PC
	Interrupt	INTP1	External interrupt 1	PORT	7	00F0 <sub>H</sub>	000000F0 <sub>H</sub>	next PC
	Interrupt	INTP2	External interrupt 2	PORT	8	0100 <sub>H</sub>	00000100 <sub>H</sub>	next PC
	Interrupt	INTP3	External interrupt 3	PORT	9	0110 <sub>H</sub>	00000110 <sub>H</sub>	next PC
	Interrupt	Reserved	Reserved	-	10...12	0xx0 <sub>H</sub>	00000xx0 <sub>H</sub>	nextPC
	Interrupt	INTTZ0UV	TMZ0 underflow	TMZ0	13	0150 <sub>H</sub>	00000150 <sub>H</sub>	next PC
	Interrupt	INTTZ1UV	TMZ1 underflow	TMZ1	14	0160 <sub>H</sub>	00000160 <sub>H</sub>	next PC
	Interrupt	INTTZ2UV	TMZ2 underflow	TMZ2	15	0170 <sub>H</sub>	00000170 <sub>H</sub>	next PC
	Interrupt	INTTZ3UV	TMZ4 underflow	TMZ3	16	0180 <sub>H</sub>	00000180 <sub>H</sub>	next PC
	Interrupt	INTTZ4UV	TMZ4 underflow	TMZ4	17	0190 <sub>H</sub>	00000190 <sub>H</sub>	nextPC
	Interrupt	INTTZ5UV	TMZ5 underflow	TMZ5	18	01A0 <sub>H</sub>	00000190 <sub>H</sub>	nextPC
	Interrupt	INTTP0OV	TMP0 overflow	TMP0	19	01B0 <sub>H</sub>	000001B0 <sub>H</sub>	next PC
	Interrupt	INTTP0CC0	TMP0 capture compare channel 0	TMP0	20	01C0 <sub>H</sub>	000001C0 <sub>H</sub>	next PC
	Interrupt	INTTP0CC1	TMP0 capture compare channel 1	TMP0	21	01D0 <sub>H</sub>	000001D0 <sub>H</sub>	next PC
	Interrupt	Reserved	Reserved	-	22...30	0xx0 <sub>H</sub>	00000xx0 <sub>H</sub>	nextPC
	Interrupt	INTTG0OV0	TMG0 overflow interrupt 0	TMG0	31	0270 <sub>H</sub>	00000270 <sub>H</sub>	next PC
	Interrupt	INTTG0OV1	TMG0 overflow interrupt 1	TMG0	32	0280 <sub>H</sub>	00000280 <sub>H</sub>	next PC
	Interrupt	INTTG0CC0	TMG0 capture compare channel 0	TMG0	33	0290 <sub>H</sub>	00000290 <sub>H</sub>	next PC
Interrupt	INTTG0CC1	TMG0 capture compare channel 1	TMG0	34	02A0 <sub>H</sub>	000002A0 <sub>H</sub>	next PC	
Interrupt	INTTG0CC2	TMG0 capture compare channel 2	TMG0	35	02B0 <sub>H</sub>	000002B0 <sub>H</sub>	next PC	

www.DataSheet4U.com

Table 5-6 Interrupt/exception source list (2/3)

Type	Classification	Interrupt/Exception Source			Default Priority	Exception Code	Handler Address	Restored PC
		Name	Generating Source	Generating Unit				
Maskable	Interrupt	INTTG0CC3	TMG0 capture compare channel 3	TMG0	36	02C0 <sub>H</sub>	000002C0 <sub>H</sub>	next PC
	Interrupt	INTTG0CC4	TMG0 capture compare channel 4	TMG0	37	02D0 <sub>H</sub>	000002D0 <sub>H</sub>	next PC
	Interrupt	INTTG0CC5	TMG0 capture compare channel 5	TMG0	38	02E0 <sub>H</sub>	000002E0 <sub>H</sub>	next PC
	Interrupt	INTTG1OV0	TMG1 overflow interrupt 0	TMG1	39	02F0 <sub>H</sub>	000002F0 <sub>H</sub>	next PC
	Interrupt	INTTG1OV1	TMG1 overflow interrupt 1	TMG1	40	0300 <sub>H</sub>	00000300 <sub>H</sub>	next PC
	Interrupt	INTTG1CC0	TMG1 capture compare channel 0	TMG1	41	0310 <sub>H</sub>	00000310 <sub>H</sub>	next PC
	Interrupt	INTTG1CC1	TMG1 capture compare channel 1	TMG1	42	0320 <sub>H</sub>	00000320 <sub>H</sub>	next PC
	Interrupt	INTTG1CC2	TMG1 capture compare channel 2	TMG1	43	0330 <sub>H</sub>	00000330 <sub>H</sub>	next PC
	Interrupt	INTTG1CC3	TMG1 capture compare channel 3	TMG1	44	0340 <sub>H</sub>	00000340 <sub>H</sub>	next PC
	Interrupt	INTTG1CC4	TMG1 capture compare channel 4	TMG1	45	0350 <sub>H</sub>	00000350 <sub>H</sub>	next PC
	Interrupt	INTTG1CC5	TMG1 capture compare channel 5	TMG1	46	0360 <sub>H</sub>	00000360 <sub>H</sub>	next PC
	Interrupt	Reserved	Reserved	—	47...48	0xx0 <sub>H</sub>	00000xx0 <sub>H</sub>	next PC
	Interrupt	INTAD	ADC end of conversion	ADC	49	0390 <sub>H</sub>	00000390 <sub>H</sub>	next PC
	Interrupt	INTC0ERR	CAN0 error interrupt	CAN0	50	03A0 <sub>H</sub>	000003A0 <sub>H</sub>	next PC
	Interrupt	INTC0WUP	CAN0 wake up interrupt	CAN0	51	03B0 <sub>H</sub>	000003B0 <sub>H</sub>	next PC
	Interrupt	INTC0REC	CAN0 receive interrupt	CAN0	52	03C0 <sub>H</sub>	000003C0 <sub>H</sub>	next PC
	Interrupt	INTC0TRX	CAN0 transmit interrupt	CAN0	53	03D0 <sub>H</sub>	000003D0 <sub>H</sub>	next PC
	Interrupt	INTCB0RE	CSIB0 receive error interrupt	CSIB0	54	03E0 <sub>H</sub>	000003E0 <sub>H</sub>	next PC
	Interrupt	INTCB0R	CSIB0 receive complete interrupt	CSIB0	55	03F0 <sub>H</sub>	000003F0 <sub>H</sub>	next PC
	Interrupt	INTCB0T	CSIB0 transmit interrupt	CSIB0	56	0400 <sub>H</sub>	00000400 <sub>H</sub>	next PC
	Interrupt	INTUA0RE	UARTA0 receive error interrupt	UARTA0	57	0410 <sub>H</sub>	00000410 <sub>H</sub>	next PC
	Interrupt	INTUA0R	UARTA0 receive complete interrupt	UARTA0	58	0420 <sub>H</sub>	00000420 <sub>H</sub>	next PC
	Interrupt	INTUA0T	UARTA0 transmit interrupt	UARTA0	59	0430 <sub>H</sub>	00000430 <sub>H</sub>	next PC
	Interrupt	INTUA1RE	UARTA1 receive error interrupt	UARTA1	60	0440 <sub>H</sub>	00000440 <sub>H</sub>	next PC
	Interrupt	INTUA1R	UARTA1 receive complete interrupt	UARTA1	61	0450 <sub>H</sub>	00000450 <sub>H</sub>	next PC
	Interrupt	INTUA1T	UARTA1 transmit interrupt	UARTA1	62	0460 <sub>H</sub>	00000460 <sub>H</sub>	next PC
	Interrupt	INTIIC0	IIC0 interrupt	IIC0	63	0470 <sub>H</sub>	00000470 <sub>H</sub>	next PC

Table 5-6 Interrupt/exception source list (3/3)

Type	Classification	Interrupt/Exception Source			Default Priority	Exception Code	Handler Address	Restored PC
		Name	Generating Source	Generating Unit				
Maskable	Interrupt	Reserved	Reserved	—	64...69	0xx0 <sub>H</sub>	00000xx0 <sub>H</sub>	next PC
	Interrupt	INT70	not generated by hardware <sup>a</sup>	—	70	04E0 <sub>H</sub>	000004E0 <sub>H</sub>	next PC
	Interrupt	INT71	not generated by hardware <sup>a</sup>	—	71	04F0 <sub>H</sub>	000004F0 <sub>H</sub>	next PC
	Interrupt	Reserved	Reserved	—	72...88	0xx0 <sub>H</sub>	00000xx0 <sub>H</sub>	next PC
	Interrupt	INTCB1RE	CSIB1 receive error interrupt	CSIB1	89	0610 <sub>H</sub>	00000610 <sub>H</sub>	next PC
	Interrupt	INTCB1R	CSIB1 receive complete interrupt	CSIB1	90	0620 <sub>H</sub>	00000620 <sub>H</sub>	next PC
	Interrupt	INTCB1T	CSIB1 transmit interrupt	CSIB1	91	0630 <sub>H</sub>	00000630 <sub>H</sub>	next PC

a) These interrupts can be used as software triggered interrupts.

**Default priority:** The priority order when two or more maskable interrupt requests are generated at the same time.  
The highest priority is 0.

1. Restored PC:

The value of the PC saved to EIPC or FEPC when interrupt/exception processing is started. However, the value of the PC saved when an interrupt is acknowledged during division (DIV, DIVH, DIVU, DIVHU) instruction execution is the value of the PC of the current instruction (DIV, DIVH, DIVU, DIVHU).

2. nextPC:

The PC value that starts the processing following interrupt/exception processing.

3. The execution address of the illegal instruction when an illegal opcode exception occurs is calculated by (Restored PC – 4).

## 5.2 Non-Maskable Interrupts

A non-maskable interrupt request is acknowledged unconditionally, even when interrupts are in the interrupt disabled (DI) status.

Non-maskable interrupts of this microcontroller are available for the following two requests:

- NMIO: NMI pin input
- NMIWDT: Non-maskable Watchdog Timer interrupt request

When the valid edge specified by the ESEL0, ESEL00 and ESEL01 bits of the Interrupt mode register 0 (INTM0) is detected on the NMI pin, the interrupt occurs.

The Watchdog Timer interrupt request is only effective as non-maskable interrupt if the WDTMODE bit of the Watchdog Timer mode register (WDTM) is set 0.

If multiple non-maskable interrupts are generated at the same time, the highest priority servicing is executed according to the following priority order (the lower priority interrupt is ignored):

NMIWDT > NMIO

Note that if a NMI from port pin or NMIWDT request is generated while NMI from port pin is being serviced, the service is executed as follows.

**(1) If a NMIO is generated while NMIO is being serviced**

The new NMIO request is held pending regardless of the value of the PSW.NP bit. The pending NMIVC request is acknowledged after servicing of the current NMIO request has finished (after execution of the RETI instruction).

**(2) If a NMIWDT request is generated while NMIO is being serviced**

If the PSW.NP bit remains set (1) while NMIO is being serviced, the new NMIWDT request is held pending. The pending NMIWDT request is acknowledge after servicing of the current NMIO request has finished (after execution of the RETI instruction).

If the PSW.NP bit is cleared (0) while NMIO is being serviced, the newly generated NMIWDT request is executed (NMIO servicing is halted).

- 
- Caution**
1. Although the values of the PC and PSW are saved to an NMI status save register (FEPC, FEPSW) when a non-maskable interrupt request is generated, only the NMIO can be restored by the RETI instruction at this time. Because NMIWDT cannot be restored by the RETI instruction, the system must be reset after servicing this interrupt.
  2. If PSW.NP is cleared to 0 by the LDSR instruction during non-maskable interrupt servicing, a NMIO interrupt afterwards cannot be acknowledged correctly.
-



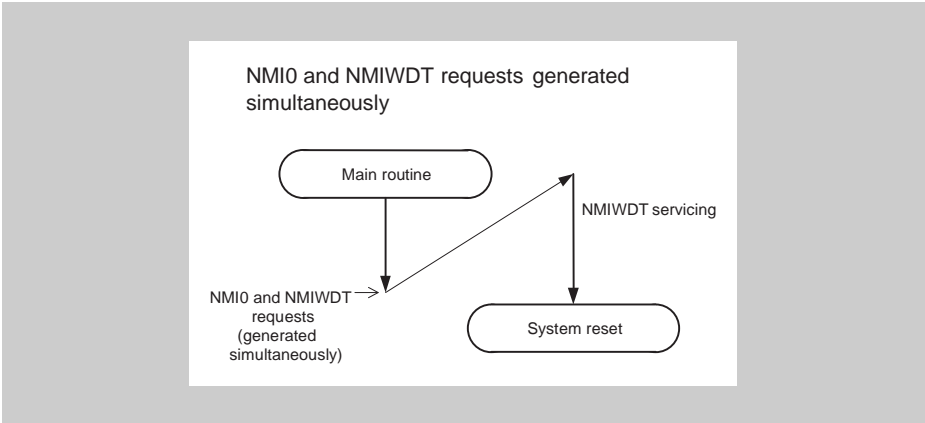


Figure 5-1 Example of non-maskable interrupt request acknowledgement operation: multiple NMI requests generated at the same time

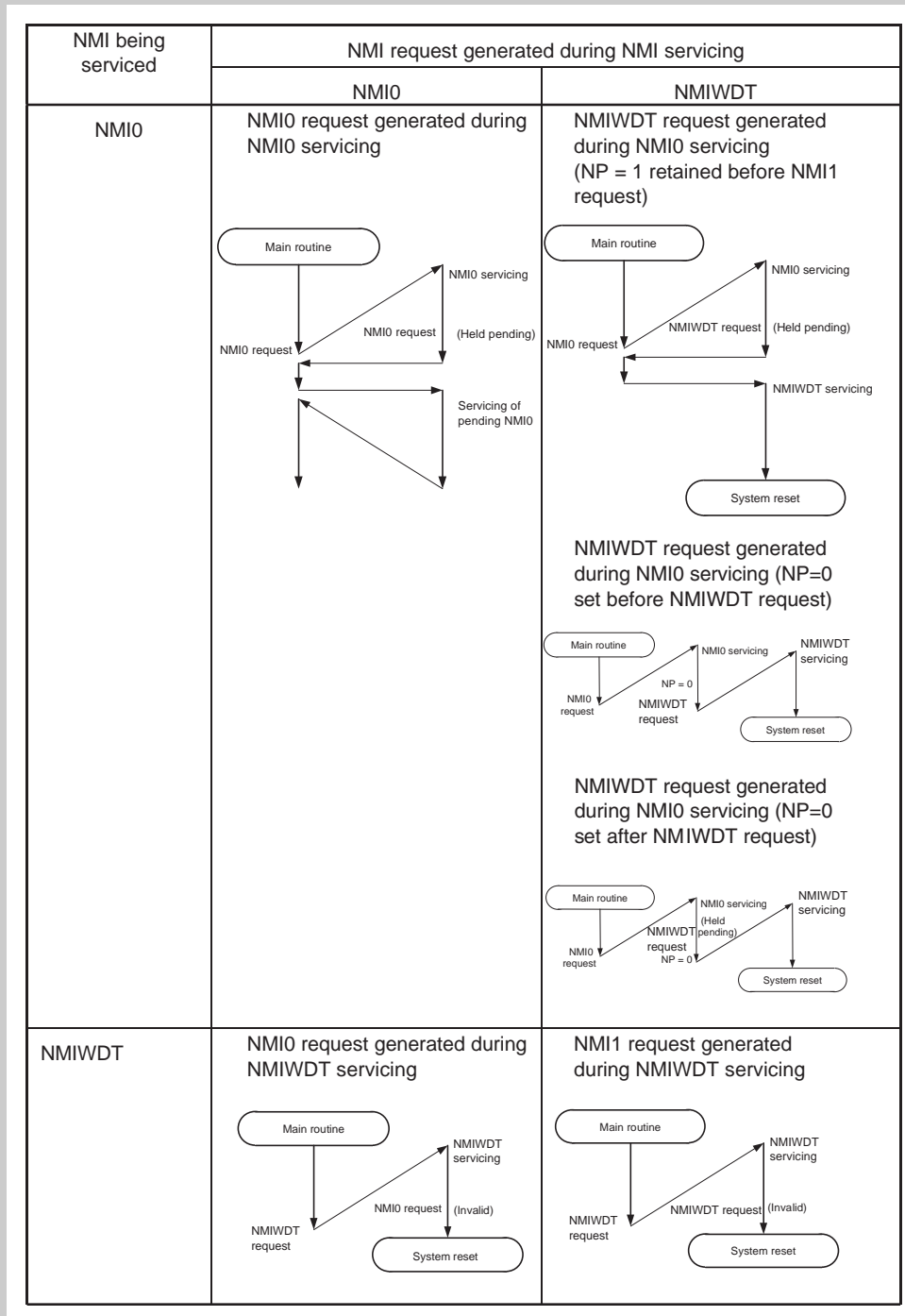


Figure 5-2 Example of non-maskable interrupt request acknowledgement operation: NMI request generated during NMI servicing

### 5.2.1 Operation

If a non-maskable interrupt is generated, the CPU performs the following processing, and transfers control to the handler routine:

- (1) Saves the restored PC to FEPC.
- (2) Saves the current PSW to FEPSW.
- (3) Writes exception code 0010<sub>H</sub> to the higher halfword (FECC) of ECR.
- (4) Sets the NP and ID bits of the PSW and clears the EP bit.
- (5) Sets the handler address corresponding to the non-maskable interrupt to the PC, and transfers control.

The processing configuration of a non-maskable interrupt is shown in Figure 5-3.

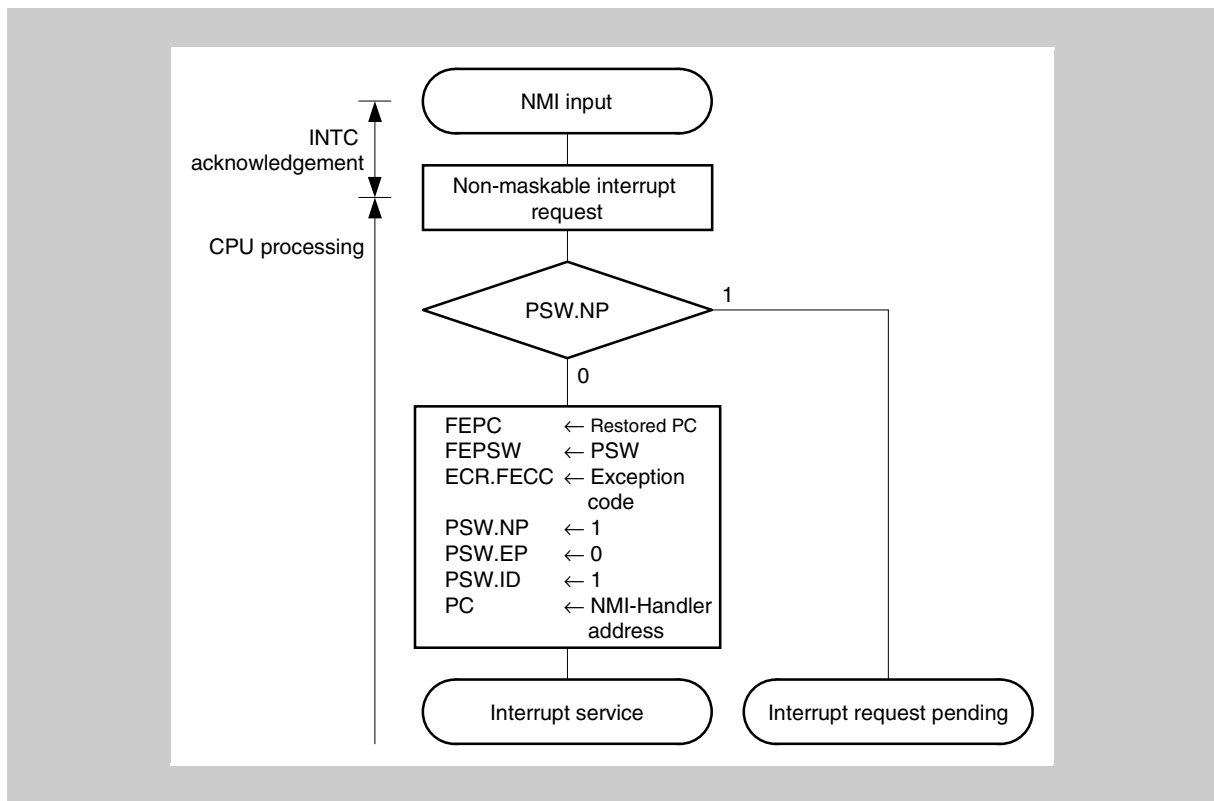


Figure 5-3 Processing configuration of non-maskable interrupt

## 5.2.2 Restore

### (1) NMIO

Execution is restored from the non-maskable interrupt (NMIO) processing by the RETI instruction.

When the RETI instruction is executed, the CPU performs the following processing, and transfers control to the address of the restored PC.

<1> Restores the values of the PC and the PSW from FEPC and FEPSW, respectively, because the EP bit of the PSW is 0 and the NP bit of the PSW is 1.

<2> Transfers control back to the address of the restored PC and PSW.

Figure 5-4 illustrates how the RETI instruction is processed.

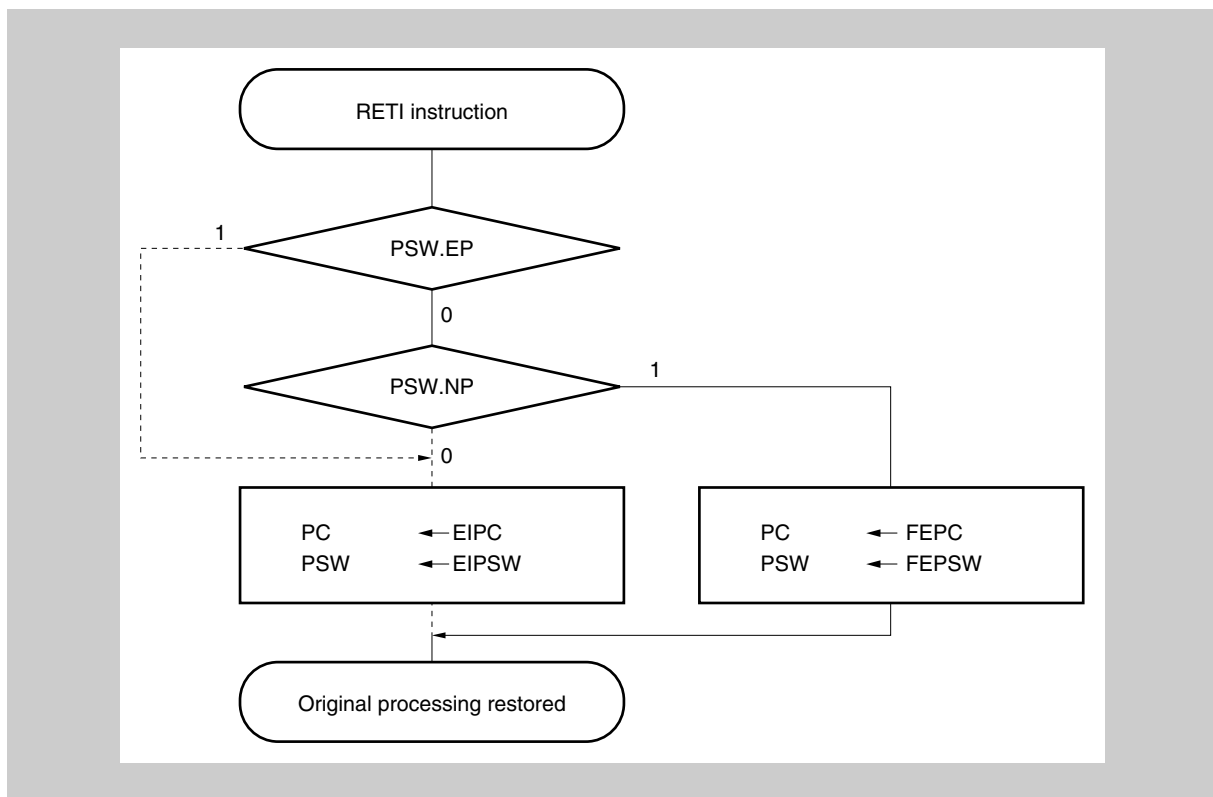


Figure 5-4 RETI instruction processing

**Caution** When the PSW.EP bit and PSW.NP bit are changed by the LDSR instruction during non-maskable interrupt processing, in order to restore the PC and PSW correctly during recovery by the RETI instruction, it is necessary to set PSW.EP back to 0 and PSW.NP back to 1 using the LDSR instruction immediately before the RETI instruction.

**Note** The solid line indicates the CPU processing flow.

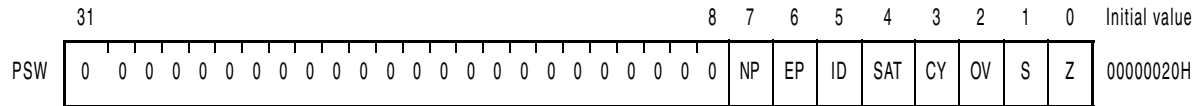
### (2) NMIWDT

Restoring by RETI instruction is not possible. Perform a system reset after interrupt servicing.

### 5.2.3 Non-maskable interrupt status flag (NP)

The NP flag is a status flag that indicates that non-maskable interrupt (NMI) processing is under execution.

This flag is set when an NMI interrupt has been acknowledged, and masks all interrupt requests and exceptions to prohibit multiple interrupts from being acknowledged.



Bit position	Bit name	Function
7	NP	Indicates whether NMI interrupt processing is in progress. 0: No NMI interrupt processing 1: NMI interrupt currently being processed

### 5.2.4 NMIO control

The NMIO can be configured to generate an NMI upon a rising, falling or both edges at the NMI pin. To enable respectively disable the NMIO and to configure the edge refer to “Edge and Level Detection Configuration“ on page 257.

## 5.3 Maskable Interrupts

Maskable interrupt requests can be masked by interrupt control registers.

If two or more maskable interrupt requests are generated at the same time, they are acknowledged according to the default priority. In addition to the default priority, eight levels of priorities can be specified by using the interrupt control registers (programmable priority control).

When an interrupt request has been acknowledged, the acknowledgement of other maskable interrupt requests is disabled and the interrupt disabled (DI) status is set.

When the EI instruction is executed in an interrupt processing routine, the interrupt enabled (EI) status is set, which enables servicing of interrupts having a higher priority than the interrupt request in progress (specified by the interrupt control register). Note that only interrupts with a higher priority will have this capability; interrupts with the same priority level cannot be nested.

However, if multiple interrupts are executed, the following processing is necessary.

- (1) Save EIPC and EIPSW in memory or a general-purpose register before executing the EI instruction.
- (2) Execute the DI instruction before executing the RETI instruction, then reset EIPC and EIPSW with the values saved in (1).

### 5.3.1 Operation

If a maskable interrupt occurs by INT input, the CPU performs the following processing, and transfers control to a handler routine:

- (1) Saves the restored PC to EIPC.
- (2) Saves the current PSW to EIPSW.
- (3) Writes an exception code to the lower halfword of ECR (EICC).
- (4) Sets the ID bit of the PSW and clears the EP bit.
- (5) Sets the handler address corresponding to each interrupt to the PC, and transfers control.

The processing configuration of a maskable interrupt is shown in *Figure 5-5*.

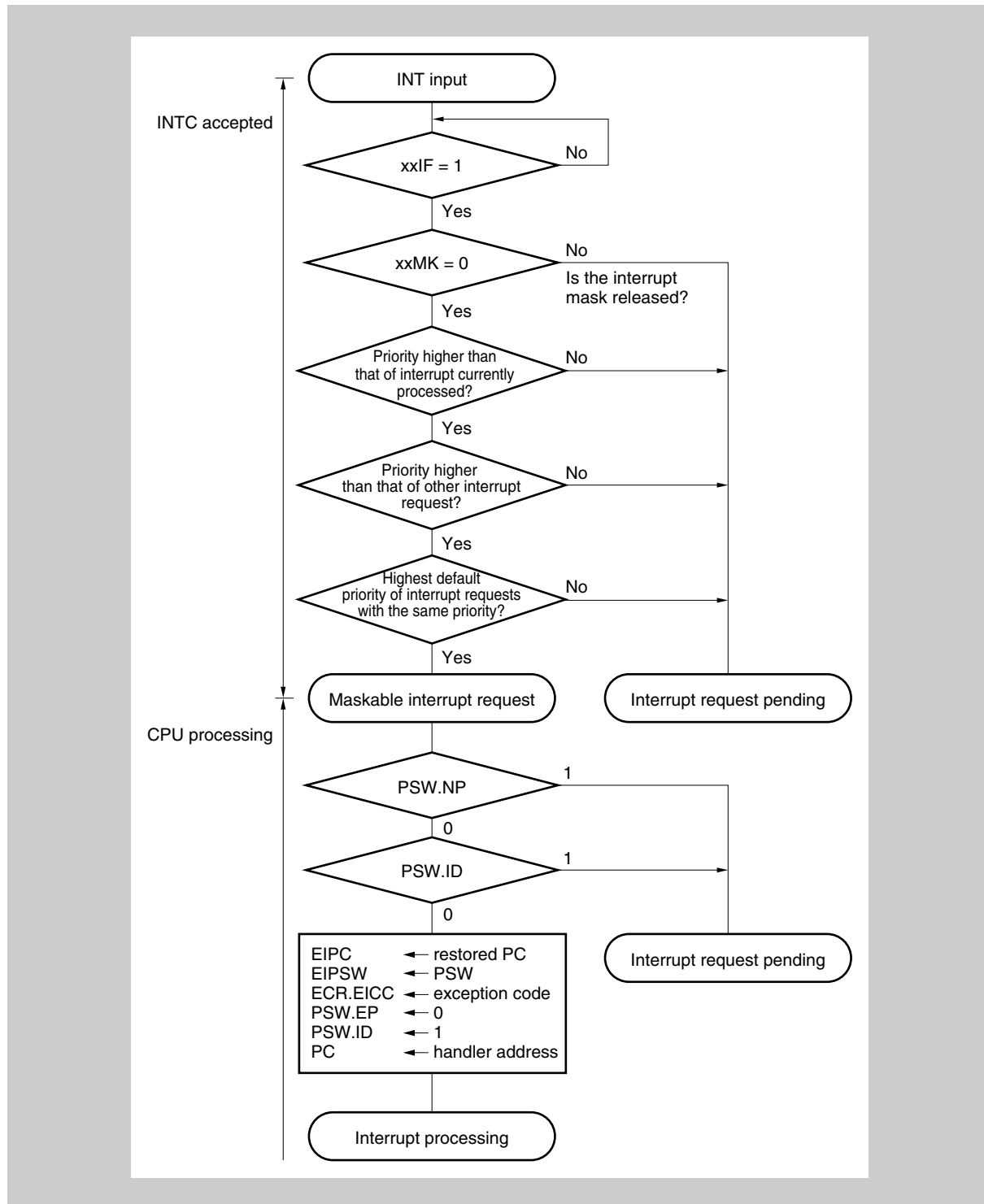


Figure 5-5 Maskable interrupt processing

**Note** For the ISPR register, see “ISPR - In-service priority register” on page 255.

www.DataSheet4U.com

An INT input masked by the Interrupt Controllers and an INT input that occurs while another interrupt is being processed (when PSW.NP = 1 or PSW.ID = 1) are held pending internally by the Interrupt Controller. In such case, if the interrupts are unmasked, or when PSW.NP = 0 and PSW.ID = 0 as set by the RETI and LDSR instructions, input of the pending INT starts the new maskable interrupt processing.

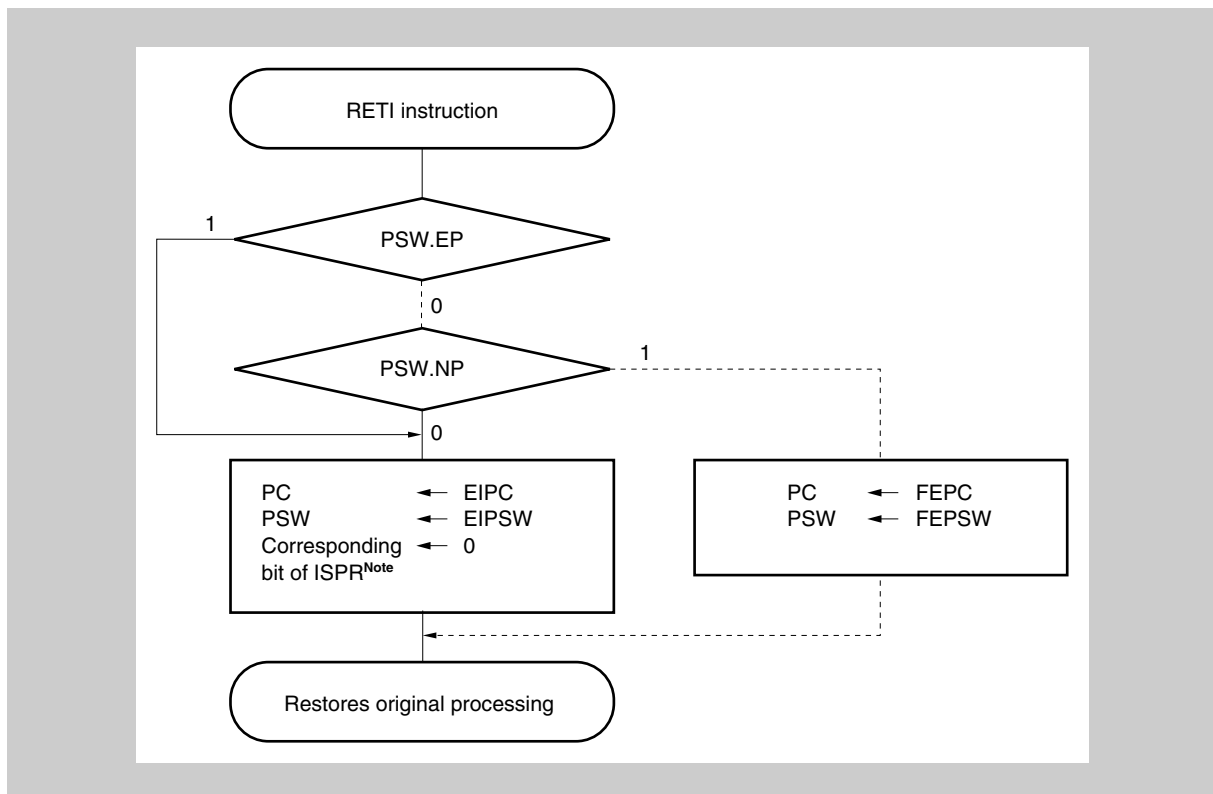
### 5.3.2 Restore

Recovery from maskable interrupt processing is carried out by the RETI instruction.

When the RETI instruction is executed, the CPU performs the following steps, and transfers control to the address of the restored PC.

- (1) Restores the values of the PC and the PSW from EIPC and EIPSW because the EP bit of the PSW is 0 and the NP bit of the PSW is 0.
- (2) Transfers control to the address of the restored PC and PSW.

Figure 5-6 illustrates the processing of the RETI instruction.



**Figure 5-6** RETI instruction processing

- Note**
1. For the ISPR register, see “ISPR - In-service priority register” on page 255.
  2. The solid lines show the CPU processing flow.

**Caution** When the PSW.EP bit and the PSW.NP bit are changed by the LDSR instruction during maskable interrupt processing, in order to restore the PC and PSW correctly during recovery by the RETI instruction, it is necessary to set PSW.EP back to 0 and PSW.NP back to 0 using the LDSR instruction immediately before the RETI instruction.

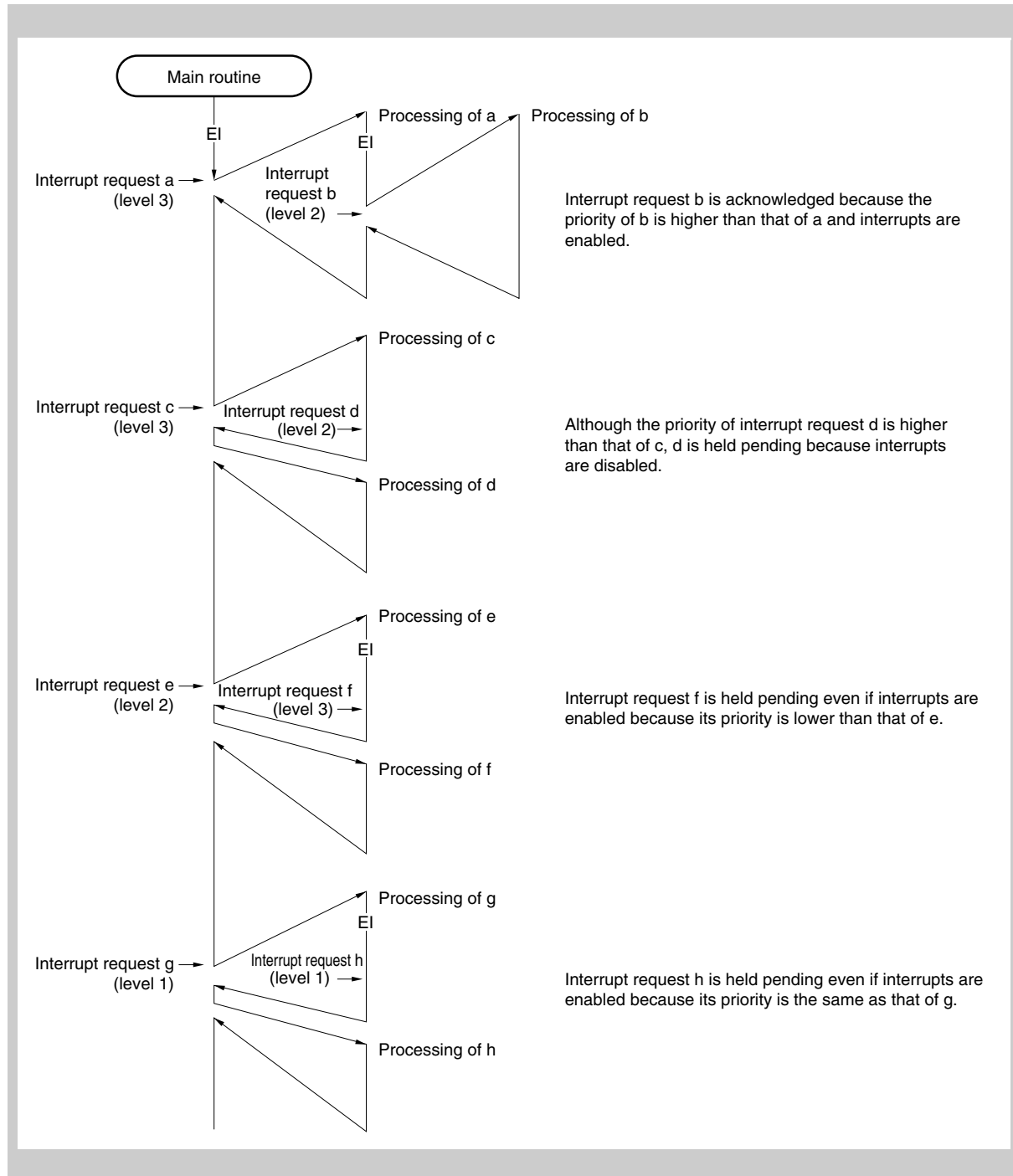


### 5.3.3 Priorities of maskable interrupts

This microcontroller provides multiple interrupt servicing in which an interrupt is acknowledged while another interrupt is being serviced. Multiple interrupts can be controlled by priority levels.

There are two types of priority level control: control based on the default priority levels, and control based on the programmable priority levels that are specified by the interrupt priority level specification bit (xxPRn) of the interrupt control register (xxICn). When two or more interrupts having the same priority level specified by the xxPRn bit are generated at the same time, interrupts are serviced in order depending on the priority level allocated to each interrupt request type (default priority level) beforehand. For more information, refer to the interrupt/exception source list table. The programmable priority control customizes interrupt requests into eight levels by setting the priority level specification flag.

Note that when an interrupt request is acknowledged, the ID flag of PSW is automatically set to 1. Therefore, when multiple interrupts are to be used, clear the ID flag to 0 beforehand (for example, by placing the EI instruction in the interrupt service program) to set the interrupt enable mode.



**Figure 5-7** Example of processing in which another interrupt request is issued while an interrupt is being processed (1/2)

**Caution** The values of the EIPC and EIPSW registers must be saved before executing multiple interrupts. When returning from multiple interrupt servicing, restore the values of EIPC and EIPSW after executing the DI instruction.

**Note** 1. <a> to <u> in the figure are the temporary names of interrupt requests shown for the sake of explanation.

2. The default priority in the figure indicates the relative priority between two interrupt requests.

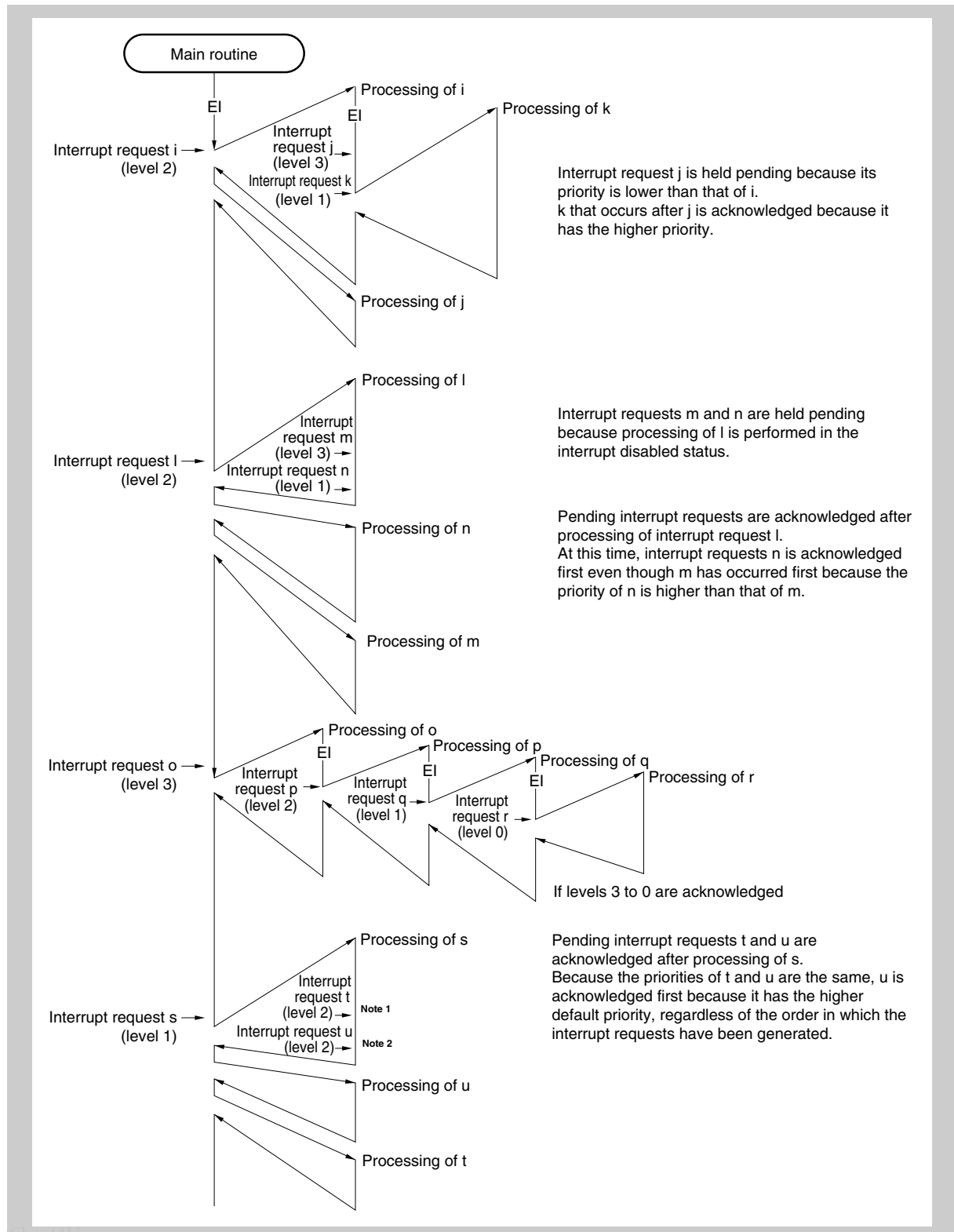
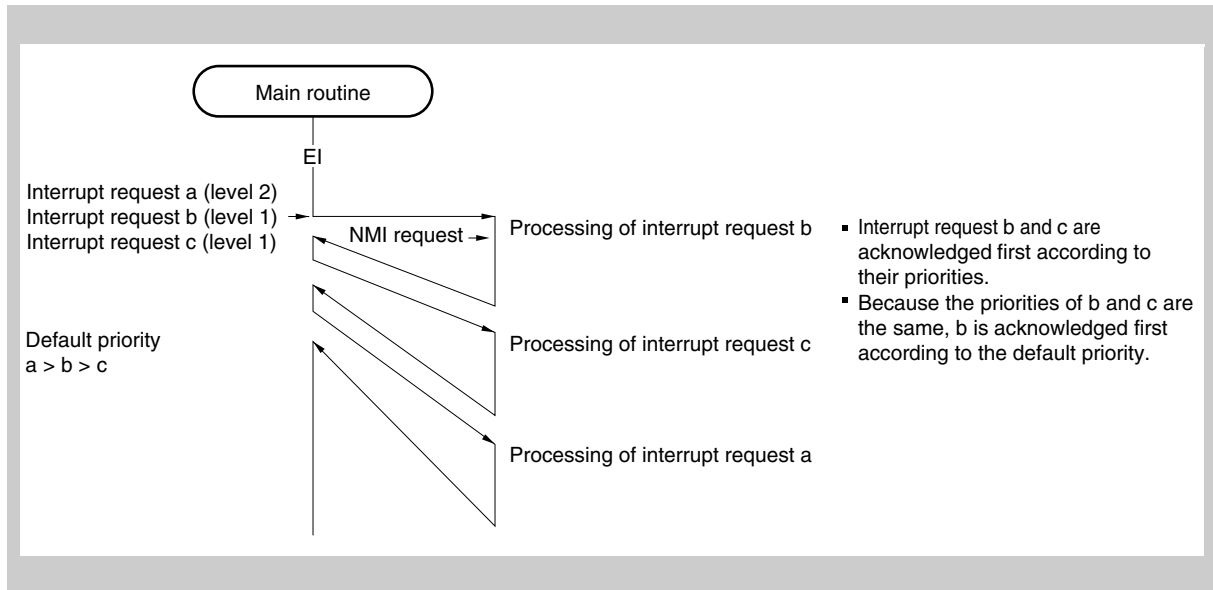


Figure 5-8 Example of processing in which another interrupt request is issued while an interrupt is being processed (2/2)

**Caution** The values of the EIPC and EIPSW registers must be saved before executing multiple interrupts. When returning from multiple interrupt servicing, restore the values of EIPC and EIPSW after executing the DI instruction.

- Note**
1. Lower default priority
  2. Higher default priority



**Figure 5-9** Example of processing interrupt requests simultaneously generated

**Caution** The values of the EIPC and EIPSW registers must be saved before executing multiple interrupts. When returning from multiple interrupt servicing, restore the values of EIPC and EIPSW after executing the DI instruction.

**Remark** <a> to <c> in the figure are the temporary names of interrupt requests shown for the sake of explanation.

### 5.3.4 xxIC - Maskable interrupts control register

An interrupt control register is assigned to each interrupt request (maskable interrupt) and sets the control conditions for each maskable interrupt request.

**Access** This register can be read/written in 8-bit or 1-bit units.

**Address** FFFF F110<sub>H</sub> to FFFF F18E<sub>H</sub> (refer to Table 5-11 on page 247)

**Initial Value** 47<sub>H</sub>

7	6	5	4	3	2	1	0
xxIF	xxMK	0	0	0	xxPR2	xxPR1	xxPR0
R/W	R/W	R/W	R/W	R/W	R/W	R/W	R/W

Table 5-7 xxIC register contents

Bit position	Bit name	Function																																				
7	xxIF	This is an interrupt request flag. 0: Interrupt request not issued 1: Interrupt request issued The flag xxIFn is reset automatically by the hardware if an interrupt request is acknowledged.																																				
6	xxMK	This is an interrupt mask flag. 0: Enables interrupt processing 1: Disables interrupt processing (pending)																																				
2 to 0	xxPR2 to xxPR0	8 levels of priority order are specified for each interrupt. <table border="1" style="width: 100%; border-collapse: collapse;"> <thead> <tr> <th>xxPR2</th> <th>xxPR1</th> <th>xxPR0</th> <th>Interrupt priority specification bit</th> </tr> </thead> <tbody> <tr> <td style="text-align: center;">0</td> <td style="text-align: center;">0</td> <td style="text-align: center;">0</td> <td>Specifies level 0 (highest)</td> </tr> <tr> <td style="text-align: center;">0</td> <td style="text-align: center;">0</td> <td style="text-align: center;">1</td> <td>Specifies level 1</td> </tr> <tr> <td style="text-align: center;">0</td> <td style="text-align: center;">1</td> <td style="text-align: center;">0</td> <td>Specifies level 2</td> </tr> <tr> <td style="text-align: center;">0</td> <td style="text-align: center;">1</td> <td style="text-align: center;">1</td> <td>Specifies level 3</td> </tr> <tr> <td style="text-align: center;">1</td> <td style="text-align: center;">0</td> <td style="text-align: center;">0</td> <td>Specifies level 4</td> </tr> <tr> <td style="text-align: center;">1</td> <td style="text-align: center;">0</td> <td style="text-align: center;">1</td> <td>Specifies level 5</td> </tr> <tr> <td style="text-align: center;">1</td> <td style="text-align: center;">1</td> <td style="text-align: center;">0</td> <td>Specifies level 6</td> </tr> <tr> <td style="text-align: center;">1</td> <td style="text-align: center;">1</td> <td style="text-align: center;">1</td> <td>Specifies level 7 (lowest)</td> </tr> </tbody> </table>	xxPR2	xxPR1	xxPR0	Interrupt priority specification bit	0	0	0	Specifies level 0 (highest)	0	0	1	Specifies level 1	0	1	0	Specifies level 2	0	1	1	Specifies level 3	1	0	0	Specifies level 4	1	0	1	Specifies level 5	1	1	0	Specifies level 6	1	1	1	Specifies level 7 (lowest)
xxPR2	xxPR1	xxPR0	Interrupt priority specification bit																																			
0	0	0	Specifies level 0 (highest)																																			
0	0	1	Specifies level 1																																			
0	1	0	Specifies level 2																																			
0	1	1	Specifies level 3																																			
1	0	0	Specifies level 4																																			
1	0	1	Specifies level 5																																			
1	1	0	Specifies level 6																																			
1	1	1	Specifies level 7 (lowest)																																			

**Note** xx: identification name of each peripheral unit (VC0-VC1, WT0UV-WT1UV, TM01, P0-P7, TZ0UV-TZ9UV, TP0OV-TP3OV, TP0CC0-TP3CC0, TP0CC1-TP3CC1, TG0OV0-TG2OV0, TG0OV1-TG2OV1, TG0CC0-TG2CC0, TG0CC1-TG2CC1, TG0CC2-TG2CC2, TG0CC3-TG2CC3, TG0CC4-TG2CC4, TG0CC5-TG2CC5, TY0CC0, TY0CC1, AD, C0ERR-C2ERR, C0WUP-C2WUP, C0REC-C2REC, C0TRX-C2TRX, CB0RE-CB2RE, CB0R-CB2R, CB0T-CB2T, UA0RE-UA1RE, UA0R-UA1R, UA0T-UA1T, IIC0-IIC1, SG0, DMA0-DMA3, INT70, INT71, LCD)

The address and bit of each interrupt control register are shown in the following table.

Table 5-8 Addresses and bits of interrupt control registers (1/3)

Address	Register	Bit							
		7	6	5	4	3	2	1	0
FFFFF110 <sub>H</sub>	VC0IC	VC0IF	VC0MK	0	0	0	VC0PR2	VC0PR1	VC0PR0
FFFFF112 <sub>H</sub>	VC1IC	VC1IF	VC1MK	0	0	0	VC1PR2	VC1PR1	VC1PR0
FFFFF114 <sub>H</sub>	WT0UVIC	WT0UVIF	WT0UVMK	0	0	0	WT0UVP2	WT0UVPR1	WT0UVPR0
FFFFF116 <sub>H</sub>	WT1UVIC	WT1UVIF	WT1UVMK	0	0	0	WT1UVP2	WT1UVPR1	WT1UVPR0
FFFFF11A <sub>H</sub>	TM01IC	TM01IF	TM01MK	0	0	0	TM01PR2	TM01PR1	TM01PR0
FFFFF11C <sub>H</sub>	P0IC	P0IF	P0MK	0	0	0	P0PR2	P0PR1	P0PR0
FFFFF11E <sub>H</sub>	P1IC	P1IF	P1MK	0	0	0	P1PR2	P1PR1	P1PR0
FFFFF120 <sub>H</sub>	P2IC	P2IF	P2MK	0	0	0	P2PR2	P2PR1	P2PR0
FFFFF122 <sub>H</sub>	P3IC	P3IF	P3MK	0	0	0	P3PR2	P3PR1	P3PR0
FFFFF124 <sub>H</sub>	P4IC	P4IF	P4MK	0	0	0	P4PR2	P4PR1	P4PR0
FFFFF126 <sub>H</sub>	P5IC	P5IF	P5MK	0	0	0	P5PR2	P5PR1	P5PR0
FFFFF128 <sub>H</sub>	P6IC	P6IF	P6MK	0	0	0	P6PR2	P6PR1	P6PR0
FFFFF12A <sub>H</sub>	TZ0UVIC	TZ0UVIF	TZ0UVMK	0	0	0	TZ0UVP2	TZ0UVPR1	TZ0UVPR0
FFFFF12C <sub>H</sub>	TZ1UVIC	TZ1UVIF	TZ1UVMK	0	0	0	TZ1UVP2	TZ1UVPR1	TZ1UVPR0
FFFFF12E <sub>H</sub>	TZ2UVIC	TZ2UVIF	TZ2UVMK	0	0	0	TZ2UVP2	TZ2UVPR1	TZ2UVPR0
FFFFF130 <sub>H</sub>	TZ3UVIC	TZ3UVIF	TZ3UVMK	0	0	0	TZ3UVP2	TZ3UVPR1	TZ3UVPR0
FFFFF132 <sub>H</sub>	TZ4UVIC	TZ4UVIF	TZ4UVMK	0	0	0	TZ4UVP2	TZ4UVPR1	TZ4UVPR0
FFFFF134 <sub>H</sub>	TZ5UVIC	TZ5UVIF	TZ5UVMK	0	0	0	TZ5UVP2	TZ5UVPR1	TZ5UVPR0
FFFFF136 <sub>H</sub>	TP0OVIC	TP0OVIF	TP0OVMK	0	0	0	TP0OVPR2	TP0OVPR1	TP0OVPR0
FFFFF138 <sub>H</sub>	TP0CC0IC	TP0CC0IF	TP0CC0MK	0	0	0	TP0CC0PR2	TP0CC0PR1	TP0CC0PR0
FFFFF13A <sub>H</sub>	TP0CC1IC	TP0CC1IF	TP0CC1MK	0	0	0	TP0CC1PR2	TP0CC1PR1	TP0CC1PR0
FFFFF13C <sub>H</sub>	TP1OVIC	TP1OVIF	TP1OVMK	0	0	0	TP1OVPR2	TP1OVPR1	TP1OVPR0
FFFFF13E <sub>H</sub>	TP1CC0IC	TP1CC0IF	TP1CC0MK	0	0	0	TP1CC0PR2	TP1CC0PR1	TP1CC0PR0
FFFFF140 <sub>H</sub>	TP1CC1IC	TP1CC1IF	TP1CC1MK	0	0	0	TP1CC1PR2	TP1CC1PR1	TP1CC1PR0
FFFFF142 <sub>H</sub>	TP2OVIC	TP2OVIF	TP2OVMK	0	0	0	TP2OVPR2	TP2OVPR1	TP2OVPR0
FFFFF144 <sub>H</sub>	TP2CC0IC	TP2CC0IF	TP2CC0MK	0	0	0	TP2CC0PR2	TP2CC0PR1	TP2CC0PR0
FFFFF146 <sub>H</sub>	TP2CC1IC	TP2CC1IF	TP2CC1MK	0	0	0	TP2CC1PR2	TP2CC1PR1	TP2CC1PR0
FFFFF148 <sub>H</sub>	TP3OVIC	TP3OVIF	TP3OVMK	0	0	0	TP3OVPR2	TP3OVPR1	TP3OVPR0
FFFFF14A <sub>H</sub>	TP3CC0IC	TP3CC0IF	TP3CC0MK	0	0	0	TP3CC0PR2	TP3CC0PR1	TP3CC0PR0
FFFFF14C <sub>H</sub>	TP3CC1IC	TP3CC1IF	TP3CC1MK	0	0	0	TP3CC1PR2	TP3CC1PR1	TP3CC1PR0
FFFFF14E <sub>H</sub>	TG0OV0IC	TG0OV0IF	TG0OV0MK	0	0	0	TG0OV0PR2	TG0OV0PR1	TG0OV0PR0
FFFFF150 <sub>H</sub>	TG0OV1IC	TG0OV1IF	TG0OV1MK	0	0	0	TG0OV1PR2	TG0OV1PR1	TG0OV1PR0
FFFFF152 <sub>H</sub>	TG0CC0IC	TG0CC0IF	TG0CC0MK	0	0	0	TG0CC0PR2	TG0CC0PR1	TG0CC0PR0
FFFFF154 <sub>H</sub>	TG0CC1IC	TG0CC1IF	TG0CC1MK	0	0	0	TG0CC1PR2	TG0CC1PR1	TG0CC1PR0
FFFFF156 <sub>H</sub>	TG0CC2IC	TG0CC2IF	TG0CC2MK	0	0	0	TG0CC2PR2	TG0CC2PR1	TG0CC2PR0
FFFFF158 <sub>H</sub>	TG0CC3IC	TG0CC3IF	TG0CC3MK	0	0	0	TG0CC3PR2	TG0CC3PR1	TG0CC3PR0
FFFFF15A <sub>H</sub>	TG0CC4IC	TG0CC4IF	TG0CC4MK	0	0	0	TG0CC4PR2	TG0CC4PR1	TG0CC4PR0
FFFFF15C <sub>H</sub>	TG0CC5IC	TG0CC5IF	TG0CC5MK	0	0	0	TG0CC5PR2	TG0CC5PR1	TG0CC5PR0
FFFFF15E <sub>H</sub>	TG1OV0IC	TG1OV0IF	TG1OV0MK	0	0	0	TG1OV0PR2	TG1OV0PR1	TG1OV0PR0
FFFFF160 <sub>H</sub>	TG1OV1IC	TG1OV1IF	TG1OV1MK	0	0	0	TG1OV1PR2	TG1OV1PR1	TG1OV1PR0

Table 5-8 Addresses and bits of interrupt control registers (2/3)

Address	Register	Bit							
		7	6	5	4	3	2	1	0
FFFFF162 <sub>H</sub>	TG1CC0C	TG1CC0IF	TG1CC0MK	0	0	0	TG1CC0PR2	TG1CC0PR1	TG1CC0PR0
FFFFF164 <sub>H</sub>	TG1CC1C	TG1CC1IF	TG1CC1MK	0	0	0	TG1CC1PR2	TG1CC1PR1	TG1CC1PR0
FFFFF166 <sub>H</sub>	TG1CC2C	TG1CC2IF	TG1CC2MK	0	0	0	TG1CC2PR2	TG1CC2PR1	TG1CC2PR0
FFFFF168 <sub>H</sub>	TG1CC3C	TG1CC3IF	TG1CC3MK	0	0	0	TG1CC3PR2	TG1CC3PR1	TG1CC3PR0
FFFFF16A <sub>H</sub>	TG1CC4C	TG1CC4IF	TG1CC4MK	0	0	0	TG1CC4PR2	TG1CC4PR1	TG1CC4PR0
FFFFF16C <sub>H</sub>	TG1CC5C	TG1CC5IF	TG1CC5MK	0	0	0	TG1CC5PR2	TG1CC5PR1	TG1CC5PR0
FFFFF16E <sub>H</sub>	TY0UV0C	TY0UV0IF	TY0UV0MK	0	0	0	TY0UV0PR2	TY0UV0PR1	TY0UV0PR0
FFFFF170 <sub>H</sub>	TY0UV1C	TY0UV1IF	TY0UV1MK	0	0	0	TY0UV1PR2	TY0UV1PR1	TY0UV1PR0
FFFFF172 <sub>H</sub>	ADIC	ADIF	ADMK	0	0	0	ADPR2	ADPR1	ADPR0
FFFFF174 <sub>H</sub>	C0ERRIC	C0ERRIF	C0ERRMK	0	0	0	C0ERRPR2	C0ERRPR1	C0ERRPR0
FFFFF176 <sub>H</sub>	C0WUPIC	C0WUPIF	C0WUPMK	0	0	0	C0WUPPR2	C0WUPPR1	C0WUPPR0
FFFFF178 <sub>H</sub>	C0RECIC	C0RECI	C0RECMK	0	0	0	C0RECPR2	C0RECPR1	C0RECPR0
FFFFF17A <sub>H</sub>	C0TRXIC	C0TRXIF	C0TRXMK	0	0	0	C0TRXPR2	C0TRXPR1	C0TRXPR0
FFFFF17C <sub>H</sub>	CB0REIC	CB0REIF	CB0REMK	0	0	0	CB0REPR2	CB0REPR1	CB0REPR0
FFFFF17E <sub>H</sub>	CB0RIC	CB0RIF	CB0RMK	0	0	0	CB0RPR2	CB0RPR1	CB0RPR0
FFFFF180 <sub>H</sub>	CB0TIC	CB0TIF	CB0TMK	0	0	0	CB0TPR2	CB0TPR1	CB0TPR0
FFFFF182 <sub>H</sub>	UA0REIC	UA0REIF	UA0REMK	0	0	0	UA0REPR2	UA0REPR1	UA0REPR0
FFFFF184 <sub>H</sub>	UA0RIC	UA0RIF	UA0RMK	0	0	0	UA0RPR2	UA0RPR1	UA0RPR0
FFFFF186 <sub>H</sub>	UA0TIC	UA0TIF	UA0TMK	0	0	0	UA0TPR2	UA0TPR1	UA0TPR0
FFFFF188 <sub>H</sub>	UA1REIC	UA1REIF	UA1REMK	0	0	0	UA1REPR2	UA1REPR1	UA1REPR0
FFFFF18A <sub>H</sub>	UA1RIC	UA1RIF	UA1RMK	0	0	0	UA1RPR2	UA1RPR1	UA1RPR0
FFFFF18C <sub>H</sub>	UA1TIC	UA1TIF	UA1TMK	0	0	0	UA1TPR2	UA1TPR1	UA1TPR0
FFFFF18E <sub>H</sub>	IIC0IC	IIC0IF	IIC0MK	0	0	0	IIC0PR2	IIC0PR1	IIC0PR0
FFFFF190 <sub>H</sub>	IIC1IC	IIC1IF	IIC1MK	0	0	0	IIC1PR2	IIC1PR1	IIC1PR0
FFFFF192 <sub>H</sub>	SG0IC	SG0IF	SG0MK	0	0	0	SG0PR2	SG0PR1	SG0PR0
FFFFF194 <sub>H</sub>	DMA0IC	DMA0IF	DMA0MK	0	0	0	DMA0PR2	DMA0PR1	DMA0PR0
FFFFF196 <sub>H</sub>	DMA1IC	DMA1IF	DMA1MK	0	0	0	DMA1PR2	DMA1PR1	DMA1PR0
FFFFF198 <sub>H</sub>	DMA2IC	DMA2IF	DMA2MK	0	0	0	DMA2PR2	DMA2PR1	DMA2PR0
FFFFF19A <sub>H</sub>	DMA3IC	DMA3IF	DMA3MK	0	0	0	DMA3PR2	DMA3PR1	DMA3PR0
FFFFF19C <sub>H</sub>	INT70IC	INT70IF	INT70MK	0	0	0	INT70PR2	INT70PR1	INT70PR0
FFFFF19E <sub>H</sub>	INT71IC	INT71IF	INT71MK	0	0	0	INT71PR2	INT71PR1	INT71PR0
FFFFF1A0 <sub>H</sub>	P7IC	P7IF	P7MK	0	0	0	P7PR2	P7PR1	P7PR0
FFFFF1A2 <sub>H</sub>	C1ERRIC	C1ERRIF	C1ERRMK	0	0	0	C1ERRPR2	C1ERRPR1	C1ERRPR0
FFFFF1A4 <sub>H</sub>	C1WUPIC	C1WUPIF	C1WUPMK	0	0	0	C1WUPPR2	C1WUPPR1	C1WUPPR0
FFFFF1A6 <sub>H</sub>	C1RECIC	C1RECI	C1RECMK	0	0	0	C1RECPR2	C1RECPR1	C1RECPR0
FFFFF1A8 <sub>H</sub>	C1TRXIC	C1TRXIF	C1TRXMK	0	0	0	C1TRXPR2	C1TRXPR1	C1TRXPR0
FFFFF1AA <sub>H</sub>	TZ6UVIC	TZ6UVIF	TZ6UVMK	0	0	0	TZ6UVPR2	TZ6UVPR1	TZ6UVPR0
FFFFF1AC <sub>H</sub>	TZ7UVIC	TZ7UVIF	TZ7UVMK	0	0	0	TZ7UVPR2	TZ7UVPR1	TZ7UVPR0
FFFFF1AE <sub>H</sub>	TZ8UVIC	TZ8UVIF	TZ8UVMK	0	0	0	TZ8UVPR2	TZ8UVPR1	TZ8UVPR0
FFFFF1B0 <sub>H</sub>	TZ9UVIC	TZ9UVIF	TZ9UVMK	0	0	0	TZ9UVPR2	TZ9UVPR1	TZ9UVPR0

www.DataSheet4U.com

Table 5-8 Addresses and bits of interrupt control registers (3/3)

Address	Register	Bit							
		7	6	5	4	3	2	1	0
FFFFF1B2 <sub>H</sub>	TG2OV0IC	TG2OV0IF	TG2OV0MK	0	0	0	TG2OV0PR2	TG2OV0PR1	TG2OV0PR0
FFFFF1B4 <sub>H</sub>	TG2OV1IC	TG2OV1IF	TG2OV1MK	0	0	0	TG2OV1PR2	TG2OV1PR1	TG2OV1PR0
FFFFF1B6 <sub>H</sub>	TG2CC0IC	TG2CC0IF	TG2CC0MK	0	0	0	TG2CC0PR2	TG2CC0PR1	TG2CC0PR0
FFFFF1B8 <sub>H</sub>	TG2CC1IC	TG2CC1IF	TG2CC1MK	0	0	0	TG2CC1PR2	TG2CC1PR1	TG2CC1PR0
FFFFF1BA <sub>H</sub>	TG2CC2IC	TG2CC2IF	TG2CC2MK	0	0	0	TG2CC2PR2	TG2CC2PR1	TG2CC2PR0
FFFFF1BC <sub>H</sub>	TG2CC3IC	TG2CC3IF	TG2CC3MK	0	0	0	TG2CC3PR2	TG2CC3PR1	TG2CC3PR0
FFFFF1BE <sub>H</sub>	TG2CC4IC	TG2CC4IF	TG2CC4MK	0	0	0	TG2CC4PR2	TG2CC4PR1	TG2CC4PR0
FFFFF1C0 <sub>H</sub>	TG2CC5IC	TG2CC5IF	TG2CC5MK	0	0	0	TG2CC5PR2	TG2CC5PR1	TG2CC5PR0
FFFFF1C2 <sub>H</sub>	CB1REIC	CB1REIF	CB1REMK	0	0	0	CB1REPR2	CB1REPR1	CB1REPR0
FFFFF1C4 <sub>H</sub>	CB1RIC	CB1RIF	CB1RMK	0	0	0	CB1RPR2	CB1RPR1	CB1RPR0
FFFFF1C6 <sub>H</sub>	CB1TIC	CB1TIF	CB1TMK	0	0	0	CB1TPR2	CB1TPR1	CB1TPR0
FFFFF1C8 <sub>H</sub>	CB2REIC	CB2REIF	CB2REMK	0	0	0	CB2REPR2	CB2REPR1	CB2REPR0
FFFFF1CA <sub>H</sub>	CB2RIC	CB2RIF	CB2RMK	0	0	0	CB2RPR2	CB2RPR1	CB2RPR0
FFFFF1CC <sub>H</sub>	CB2TIC	CB2TIF	CB2TMK	0	0	0	CB2TPR2	CB2TPR1	CB2TPR0
FFFFF1CE <sub>H</sub>	LCDIC	LCDIF	LCDMK	0	0	0	LCDPR2	LCDPR1	LCDPR0
FFFFF1D0 <sub>H</sub>	C2ERRIC	C2ERRIF	C2ERRMK	0	0	0	C2ERRPR2	C2ERRPR1	C2ERRPR0
FFFFF1D2 <sub>H</sub>	C2WUPIC	C2WUPIF	C2WUPMK	0	0	0	C2WUPPR2	C2WUPPR1	C2WUPPR0
FFFFF1D4 <sub>H</sub>	C2RECIC	C2RECIF	C2RECMK	0	0	0	C2RECPR2	C2RECPR1	C2RECPR0
FFFFF1D6 <sub>H</sub>	C2TRXIC	C2TRXIF	C2TRXMK	0	0	0	C2TRXPR2	C2TRXPR1	C2TRXPR0

Table 5-9 Addresses and bits of interrupt control registers of  $\mu$ PD70F3420 (OTF),  $\mu$ PD70F3421,  $\mu$ PD70F3421 (OTF),  $\mu$ PD70F3422,  $\mu$ PD70F3422 (OTF),  $\mu$ PD70F3423 (1/3)

Address	Register	Bit							
		7	6	5	4	3	2	1	0
FFFFF110 <sub>H</sub>	VC0IC	VC0IF	VC0MK	0	0	0	VC0PR2	VC0PR1	VC0PR0
FFFFF112 <sub>H</sub>	VC1IC	VC1IF	VC1MK	0	0	0	VC1PR2	VC1PR1	VC1PR0
FFFFF114 <sub>H</sub>	WT0UVIC	WT0UVIF	WT0UVMK	0	0	0	WT0UVPR2	WT0UVPR1	WT0UVPR0
FFFFF116 <sub>H</sub>	WT1UVIC	WT1UVIF	WT1UVMK	0	0	0	WT1UVPR2	WT1UVPR1	WT1UVPR0
FFFFF11A <sub>H</sub>	TM01IC	TM01IF	TM01MK	0	0	0	TM01PR2	TM01PR1	TM01PR0
FFFFF11C <sub>H</sub>	P0IC	P0IF	P0MK	0	0	0	P0PR2	P0PR1	P0PR0
FFFFF11E <sub>H</sub>	P1IC	P1IF	P1MK	0	0	0	P1PR2	P1PR1	P1PR0
FFFFF120 <sub>H</sub>	P2IC	P2IF	P2MK	0	0	0	P2PR2	P2PR1	P2PR0
FFFFF122 <sub>H</sub>	P3IC	P3IF	P3MK	0	0	0	P3PR2	P3PR1	P3PR0
FFFFF124 <sub>H</sub>	P4IC	P4IF	P4MK	0	0	0	P4PR2	P4PR1	P4PR0
FFFFF126 <sub>H</sub>	P5IC	P5IF	P5MK	0	0	0	P5PR2	P5PR1	P5PR0
FFFFF128 <sub>H</sub>	P6IC	P6IF	P6MK	0	0	0	P6PR2	P6PR1	P6PR0
FFFFF12A <sub>H</sub>	TZ0UVIC	TZ0UVIF	TZ0UVMK	0	0	0	TZ0UVPR2	TZ0UVPR1	TZ0UVPR0
FFFFF12C <sub>H</sub>	TZ1UVIC	TZ1UVIF	TZ1UVMK	0	0	0	TZ1UVPR2	TZ1UVPR1	TZ1UVPR0
FFFFF12E <sub>H</sub>	TZ2UVIC	TZ2UVIF	TZ2UVMK	0	0	0	TZ2UVPR2	TZ2UVPR1	TZ2UVPR0
FFFFF130 <sub>H</sub>	TZ3UVIC	TZ3UVIF	TZ3UVMK	0	0	0	TZ3UVPR2	TZ3UVPR1	TZ3UVPR0



Table 5-9 Addresses and bits of interrupt control registers of  $\mu$ PD70F3420 (OTF),  $\mu$ PD70F3421,  $\mu$ PD70F3421 (OTF),  $\mu$ PD70F3422,  $\mu$ PD70F3422 (OTF),  $\mu$ PD70F3423 (2/3)

Address	Register	Bit							
		7	6	5	4	3	2	1	0
FFFFF132 <sub>H</sub>	TZ4UVIC	TZ4UVIF	TZ4UVMK	0	0	0	TZ4UVPR2	TZ4UVPR1	TZ4UVPR0
FFFFF134 <sub>H</sub>	TZ5UVIC	TZ5UVIF	TZ5UVMK	0	0	0	TZ5UVPR2	TZ5UVPR1	TZ5UVPR0
FFFFF136 <sub>H</sub>	TP0OVIC	TP0OVIF	TP0OVMK	0	0	0	TP0OVPR2	TP0OVPR1	TP0OVPR0
FFFFF138 <sub>H</sub>	TP0CC0IC	TP0CC0IF	TP0CC0MK	0	0	0	TP0CC0PR2	TP0CC0PR1	TP0CC0PR0
FFFFF13A <sub>H</sub>	TP0CC1IC	TP0CC1IF	TP0CC1MK	0	0	0	TP0CC1PR2	TP0CC1PR1	TP0CC1PR0
FFFFF13C <sub>H</sub>	TP1OVIC	TP1OVIF	TP1OVMK	0	0	0	TP1OVPR2	TP1OVPR1	TP1OVPR0
FFFFF13E <sub>H</sub>	TP1CC0IC	TP1CC0IF	TP1CC0MK	0	0	0	TP1CC0PR2	TP1CC0PR1	TP1CC0PR0
FFFFF140 <sub>H</sub>	TP1CC1IC	TP1CC1IF	TP1CC1MK	0	0	0	TP1CC1PR2	TP1CC1PR1	TP1CC1PR0
FFFFF142 <sub>H</sub>	TP2OVIC	TP2OVIF	TP2OVMK	0	0	0	TP2OVPR2	TP2OVPR1	TP2OVPR0
FFFFF144 <sub>H</sub>	TP2CC0IC	TP2CC0IF	TP2CC0MK	0	0	0	TP2CC0PR2	TP2CC0PR1	TP2CC0PR0
FFFFF146 <sub>H</sub>	TP2CC1IC	TP2CC1IF	TP2CC1MK	0	0	0	TP2CC1PR2	TP2CC1PR1	TP2CC1PR0
FFFFF148 <sub>H</sub>	TP3OVIC	TP3OVIF	TP3OVMK	0	0	0	TP3OVPR2	TP3OVPR1	TP3OVPR0
FFFFF14A <sub>H</sub>	TP3CC0IC	TP3CC0IF	TP3CC0MK	0	0	0	TP3CC0PR2	TP3CC0PR1	TP3CC0PR0
FFFFF14C <sub>H</sub>	TP3CC1IC	TP3CC1IF	TP3CC1MK	0	0	0	TP3CC1PR2	TP3CC1PR1	TP3CC1PR0
FFFFF14E <sub>H</sub>	TG0OV0IC	TG0OV0IF	TG0OV0MK	0	0	0	TG0OV0PR2	TG0OV0PR1	TG0OV0PR0
FFFFF150 <sub>H</sub>	TG0OV1IC	TG0OV1IF	TG0OV1MK	0	0	0	TG0OV1PR2	TG0OV1PR1	TG0OV1PR0
FFFFF152 <sub>H</sub>	TG0CC0IC	TG0CC0IF	TG0CC0MK	0	0	0	TG0CC0PR2	TG0CC0PR1	TG0CC0PR0
FFFFF154 <sub>H</sub>	TG0CC1IC	TG0CC1IF	TG0CC1MK	0	0	0	TG0CC1PR2	TG0CC1PR1	TG0CC1PR0
FFFFF156 <sub>H</sub>	TG0CC2IC	TG0CC2IF	TG0CC2MK	0	0	0	TG0CC2PR2	TG0CC2PR1	TG0CC2PR0
FFFFF158 <sub>H</sub>	TG0CC3IC	TG0CC3IF	TG0CC3MK	0	0	0	TG0CC3PR2	TG0CC3PR1	TG0CC3PR0
FFFFF15A <sub>H</sub>	TG0CC4IC	TG0CC4IF	TG0CC4MK	0	0	0	TG0CC4PR2	TG0CC4PR1	TG0CC4PR0
FFFFF15C <sub>H</sub>	TG0CC5IC	TG0CC5IF	TG0CC5MK	0	0	0	TG0CC5PR2	TG0CC5PR1	TG0CC5PR0
FFFFF15E <sub>H</sub>	TG1OV0IC	TG1OV0IF	TG1OV0MK	0	0	0	TG1OV0PR2	TG1OV0PR1	TG1OV0PR0
FFFFF160 <sub>H</sub>	TG1OV1IC	TG1OV1IF	TG1OV1MK	0	0	0	TG1OV1PR2	TG1OV1PR1	TG1OV1PR0
FFFFF162 <sub>H</sub>	TG1CC0C	TG1CC0IF	TG1CC0MK	0	0	0	TG1CC0PR2	TG1CC0PR1	TG1CC0PR0
FFFFF164 <sub>H</sub>	TG1CC1IC	TG1CC1IF	TG1CC1MK	0	0	0	TG1CC1PR2	TG1CC1PR1	TG1CC1PR0
FFFFF166 <sub>H</sub>	TG1CC2IC	TG1CC2IF	TG1CC2MK	0	0	0	TG1CC2PR2	TG1CC2PR1	TG1CC2PR0
FFFFF168 <sub>H</sub>	TG1CC3IC	TG1CC3IF	TG1CC3MK	0	0	0	TG1CC3PR2	TG1CC3PR1	TG1CC3PR0
FFFFF16A <sub>H</sub>	TG1CC4IC	TG1CC4IF	TG1CC4MK	0	0	0	TG1CC4PR2	TG1CC4PR1	TG1CC4PR0
FFFFF16C <sub>H</sub>	TG1CC5IC	TG1CC5IF	TG1CC5MK	0	0	0	TG1CC5PR2	TG1CC5PR1	TG1CC5PR0
FFFFF16E <sub>H</sub>	TY0UV0IC	TY0UV0IF	TY0UV0MK	0	0	0	TY0UV0PR2	TY0UV0PR1	TY0UV0PR0
FFFFF170 <sub>H</sub>	TY0UV1IC	TY0UV1IF	TY0UV1MK	0	0	0	TY0UV1PR2	TY0UV1PR1	TY0UV1PR0
FFFFF172 <sub>H</sub>	ADIC	ADIF	ADMK	0	0	0	ADPR2	ADPR1	ADPR0
FFFFF174 <sub>H</sub>	C0ERRIC	C0ERRIF	C0ERRMK	0	0	0	C0ERRPR2	C0ERRPR1	C0ERRPR0
FFFFF176 <sub>H</sub>	C0WUPIC	C0WUPIF	C0WUPMK	0	0	0	C0WUPPR2	C0WUPPR1	C0WUPPR0
FFFFF178 <sub>H</sub>	C0RECIC	C0RECIF	C0RECMK	0	0	0	C0RECPR2	C0RECPR1	C0RECPR0
FFFFF17A <sub>H</sub>	C0TRXIC	C0TRXIF	C0TRXMK	0	0	0	C0TRXPR2	C0TRXPR1	C0TRXPR0
FFFFF17C <sub>H</sub>	CB0REIC	CB0REIF	CB0REMK	0	0	0	CB0REPR2	CB0REPR1	CB0REPR0
FFFFF17E <sub>H</sub>	CB0RIC	CB0RIF	CB0RMK	0	0	0	CB0RPR2	CB0RPR1	CB0RPR0

www.DataSheet4U.com

**Table 5-9** Addresses and bits of interrupt control registers of  $\mu$ PD70F3420 (OTF),  $\mu$ PD70F3421,  $\mu$ PD70F3421 (OTF),  $\mu$ PD70F3422,  $\mu$ PD70F3422 (OTF),  $\mu$ PD70F3423 (3/3)

Address	Register	Bit							
		7	6	5	4	3	2	1	0
FFFFF180 <sub>H</sub>	CB0TIC	CB0TIF	CB0TMK	0	0	0	CB0TPR2	CB0TPR1	CB0TPR0
FFFFF182 <sub>H</sub>	UA0REIC	UA0REIF	UA0REMK	0	0	0	UA0REPR2	UA0REPR1	UA0REPR0
FFFFF184 <sub>H</sub>	UA0RIC	UA0RIF	UA0RMK	0	0	0	UA0RPR2	UA0RPR1	UA0RPR0
FFFFF186 <sub>H</sub>	UA0TIC	UA0TIF	UA0TMK	0	0	0	UA0TPR2	UA0TPR1	UA0TPR0
FFFFF188 <sub>H</sub>	UA1REIC	UA1REIF	UA1REMK	0	0	0	UA1REPR2	UA1REPR1	UA1REPR0
FFFFF18A <sub>H</sub>	UA1RIC	UA1RIF	UA1RMK	0	0	0	UA1RPR2	UA1RPR1	UA1RPR0
FFFFF18C <sub>H</sub>	UA1TIC	UA1TIF	UA1TMK	0	0	0	UA1TPR2	UA1TPR1	UA1TPR0
FFFFF18E <sub>H</sub>	IIC0IC	IIC0IF	IIC0MK	0	0	0	IIC0PR2	IIC0PR1	IIC0PR0
FFFFF190 <sub>H</sub>	IIC1IC	IIC1IF	IIC1MK	0	0	0	IIC1PR2	IIC1PR1	IIC1PR0
FFFFF192 <sub>H</sub>	SG0IC	SG0IF	SG0MK	0	0	0	SG0PR2	SG0PR1	SG0PR0
FFFFF194 <sub>H</sub>	DMA0IC	DMA0IF	DMA0MK	0	0	0	DMA0PR2	DMA0PR1	DMA0PR0
FFFFF196 <sub>H</sub>	DMA1IC	DMA1IF	DMA1MK	0	0	0	DMA1PR2	DMA1PR1	DMA1PR0
FFFFF198 <sub>H</sub>	DMA2IC	DMA2IF	DMA2MK	0	0	0	DMA2PR2	DMA2PR1	DMA2PR0
FFFFF19A <sub>H</sub>	DMA3IC	DMA3IF	DMA3MK	0	0	0	DMA3PR2	DMA3PR1	DMA3PR0
FFFFF19C <sub>H</sub>	INT70IC	INT70IF	INT70MK	0	0	0	INT70PR2	INT70PR1	INT70PR0
FFFFF19E <sub>H</sub>	INT71IC	INT71IF	INT71MK	0	0	0	INT71PR2	INT71PR1	INT71PR0
FFFFF1A2 <sub>H</sub>	C1ERRIC	C1ERRIF	C1ERRMK	0	0	0	C1ERRPR2	C1ERRPR1	C1ERRPR0
FFFFF1A4 <sub>H</sub>	C1WUPIC	C1WUPIF	C1WUPMK	0	0	0	C1WUPPR2	C1WUPPR1	C1WUPPR0
FFFFF1A6 <sub>H</sub>	C1RECIC	C1RECI	C1RECMK	0	0	0	C1RECPR2	C1RECPR1	C1RECPR0
FFFFF1A8 <sub>H</sub>	C1TRXIC	C1TRXIF	C1TRXMK	0	0	0	C1TRXPR2	C1TRXPR1	C1TRXPR0
FFFFF1C2 <sub>H</sub>	CB1REIC	CB1REIF	CB1REMK	0	0	0	CB1REPR2	CB1REPR1	CB1REPR0
FFFFF1C4 <sub>H</sub>	CB1RIC	CB1RIF	CB1RMK	0	0	0	CB1RPR2	CB1RPR1	CB1RPR0
FFFFF1C6 <sub>H</sub>	CB1TIC	CB1TIF	CB1TMK	0	0	0	CB1TPR2	CB1TPR1	CB1TPR0
FFFFF1D0 <sub>H</sub>	C2ERRIC <sup>a</sup>	C2ERRIF	C2ERRMK	0	0	0	C2ERRPR2	C2ERRPR1	C2ERRPR0
FFFFF1D2 <sub>H</sub>	C2WUPIC <sup>a</sup>	C2WUPIF	C2WUPMK	0	0	0	C2WUPPR2	C2WUPPR1	C2WUPPR0
FFFFF1D4 <sub>H</sub>	C2RECIC <sup>a</sup>	C2RECI	C2RECMK	0	0	0	C2RECPR2	C2RECPR1	C2RECPR0
FFFFF1D6 <sub>H</sub>	C2TRXIC <sup>a</sup>	C2TRXIF	C2TRXMK	0	0	0	C2TRXPR2	C2TRXPR1	C2TRXPR0

a)  $\mu$ PD70F3423 only

**Table 5-10** Addresses and bits of interrupt control registers of  $\mu$ PD70F3424,  $\mu$ PD70F3425,  $\mu$ PD70F3426,  $\mu$ PD70F3427 (1/4)

Address	Register	Bit							
		7	6	5	4	3	2	1	0
FFFFF110 <sub>H</sub>	VC0IC	VC0IF	VC0MK	0	0	0	VC0PR2	VC0PR1	VC0PR0
FFFFF112 <sub>H</sub>	VC1IC	VC1IF	VC1MK	0	0	0	VC1PR2	VC1PR1	VC1PR0
FFFFF114 <sub>H</sub>	WT0UVIC	WT0UVIF	WT0UVMK	0	0	0	WT0UVPR2	WT0UVPR1	WT0UVPR0
FFFFF116 <sub>H</sub>	WT1UVIC	WT1UVIF	WT1UVMK	0	0	0	WT1UVPR2	WT1UVPR1	WT1UVPR0
FFFFF11A <sub>H</sub>	TM01IC	TM01IF	TM01MK	0	0	0	TM01PR2	TM01PR1	TM01PR0
FFFFF11C <sub>H</sub>	P0IC	P0IF	P0MK	0	0	0	P0PR2	P0PR1	P0PR0

Table 5-10 Addresses and bits of interrupt control registers of  $\mu$ PD70F3424,  $\mu$ PD70F3425,  $\mu$ PD70F3426,  $\mu$ PD70F3427 (2/4)

Address	Register	Bit							
		7	6	5	4	3	2	1	0
FFFFF11E <sub>H</sub>	P1IC	P1IF	P1MK	0	0	0	P1PR2	P1PR1	P1PR0
FFFFF120 <sub>H</sub>	P2IC	P2IF	P2MK	0	0	0	P2PR2	P2PR1	P2PR0
FFFFF122 <sub>H</sub>	P3IC	P3IF	P3MK	0	0	0	P3PR2	P3PR1	P3PR0
FFFFF124 <sub>H</sub>	P4IC	P4IF	P4MK	0	0	0	P4PR2	P4PR1	P4PR0
FFFFF126 <sub>H</sub>	P5IC	P5IF	P5MK	0	0	0	P5PR2	P5PR1	P5PR0
FFFFF128 <sub>H</sub>	P6IC	P6IF	P6MK	0	0	0	P6PR2	P6PR1	P6PR0
FFFFF12A <sub>H</sub>	TZ0UVIC	TZ0UVIF	TZ0UVMK	0	0	0	TZ0UVPR2	TZ0UVPR1	TZ0UVPR0
FFFFF12C <sub>H</sub>	TZ1UVIC	TZ1UVIF	TZ1UVMK	0	0	0	TZ1UVPR2	TZ1UVPR1	TZ1UVPR0
FFFFF12E <sub>H</sub>	TZ2UVIC	TZ2UVIF	TZ2UVMK	0	0	0	TZ2UVPR2	TZ2UVPR1	TZ2UVPR0
FFFFF130 <sub>H</sub>	TZ3UVIC	TZ3UVIF	TZ3UVMK	0	0	0	TZ3UVPR2	TZ3UVPR1	TZ3UVPR0
FFFFF132 <sub>H</sub>	TZ4UVIC	TZ4UVIF	TZ4UVMK	0	0	0	TZ4UVPR2	TZ4UVPR1	TZ4UVPR0
FFFFF134 <sub>H</sub>	TZ5UVIC	TZ5UVIF	TZ5UVMK	0	0	0	TZ5UVPR2	TZ5UVPR1	TZ5UVPR0
FFFFF136 <sub>H</sub>	TP0OVIC	TP0OVIF	TP0OVMK	0	0	0	TP0OVPR2	TP0OVPR1	TP0OVPR0
FFFFF138 <sub>H</sub>	TP0CC0IC	TP0CC0IF	TP0CC0MK	0	0	0	TP0CC0PR2	TP0CC0PR1	TP0CC0PR0
FFFFF13A <sub>H</sub>	TP0CC1IC	TP0CC1IF	TP0CC1MK	0	0	0	TP0CC1PR2	TP0CC1PR1	TP0CC1PR0
FFFFF13C <sub>H</sub>	TP1OVIC	TP1OVIF	TP1OVMK	0	0	0	TP1OVPR2	TP1OVPR1	TP1OVPR0
FFFFF13E <sub>H</sub>	TP1CC0IC	TP1CC0IF	TP1CC0MK	0	0	0	TP1CC0PR2	TP1CC0PR1	TP1CC0PR0
FFFFF140 <sub>H</sub>	TP1CC1IC	TP1CC1IF	TP1CC1MK	0	0	0	TP1CC1PR2	TP1CC1PR1	TP1CC1PR0
FFFFF142 <sub>H</sub>	TP2OVIC	TP2OVIF	TP2OVMK	0	0	0	TP2OVPR2	TP2OVPR1	TP2OVPR0
FFFFF144 <sub>H</sub>	TP2CC0IC	TP2CC0IF	TP2CC0MK	0	0	0	TP2CC0PR2	TP2CC0PR1	TP2CC0PR0
FFFFF146 <sub>H</sub>	TP2CC1IC	TP2CC1IF	TP2CC1MK	0	0	0	TP2CC1PR2	TP2CC1PR1	TP2CC1PR0
FFFFF148 <sub>H</sub>	TP3OVIC	TP3OVIF	TP3OVMK	0	0	0	TP3OVPR2	TP3OVPR1	TP3OVPR0
FFFFF14A <sub>H</sub>	TP3CC0IC	TP3CC0IF	TP3CC0MK	0	0	0	TP3CC0PR2	TP3CC0PR1	TP3CC0PR0
FFFFF14C <sub>H</sub>	TP3CC1IC	TP3CC1IF	TP3CC1MK	0	0	0	TP3CC1PR2	TP3CC1PR1	TP3CC1PR0
FFFFF14E <sub>H</sub>	TG0OV0IC	TG0OV0IF	TG0OV0MK	0	0	0	TG0OV0PR2	TG0OV0PR1	TG0OV0PR0
FFFFF150 <sub>H</sub>	TG0OV1IC	TG0OV1IF	TG0OV1MK	0	0	0	TG0OV1PR2	TG0OV1PR1	TG0OV1PR0
FFFFF152 <sub>H</sub>	TG0CC0IC	TG0CC0IF	TG0CC0MK	0	0	0	TG0CC0PR2	TG0CC0PR1	TG0CC0PR0
FFFFF154 <sub>H</sub>	TG0CC1IC	TG0CC1IF	TG0CC1MK	0	0	0	TG0CC1PR2	TG0CC1PR1	TG0CC1PR0
FFFFF156 <sub>H</sub>	TG0CC2IC	TG0CC2IF	TG0CC2MK	0	0	0	TG0CC2PR2	TG0CC2PR1	TG0CC2PR0
FFFFF158 <sub>H</sub>	TG0CC3IC	TG0CC3IF	TG0CC3MK	0	0	0	TG0CC3PR2	TG0CC3PR1	TG0CC3PR0
FFFFF15A <sub>H</sub>	TG0CC4IC	TG0CC4IF	TG0CC4MK	0	0	0	TG0CC4PR2	TG0CC4PR1	TG0CC4PR0
FFFFF15C <sub>H</sub>	TG0CC5IC	TG0CC5IF	TG0CC5MK	0	0	0	TG0CC5PR2	TG0CC5PR1	TG0CC5PR0
FFFFF15E <sub>H</sub>	TG1OV0IC	TG1OV0IF	TG1OV0MK	0	0	0	TG1OV0PR2	TG1OV0PR1	TG1OV0PR0
FFFFF160 <sub>H</sub>	TG1OV1IC	TG1OV1IF	TG1OV1MK	0	0	0	TG1OV1PR2	TG1OV1PR1	TG1OV1PR0
FFFFF162 <sub>H</sub>	TG1CC0C	TG1CC0IF	TG1CC0MK	0	0	0	TG1CC0PR2	TG1CC0PR1	TG1CC0PR0
FFFFF164 <sub>H</sub>	TG1CC1IC	TG1CC1IF	TG1CC1MK	0	0	0	TG1CC1PR2	TG1CC1PR1	TG1CC1PR0
FFFFF166 <sub>H</sub>	TG1CC2IC	TG1CC2IF	TG1CC2MK	0	0	0	TG1CC2PR2	TG1CC2PR1	TG1CC2PR0
FFFFF168 <sub>H</sub>	TG1CC3IC	TG1CC3IF	TG1CC3MK	0	0	0	TG1CC3PR2	TG1CC3PR1	TG1CC3PR0
FFFFF16A <sub>H</sub>	TG1CC4IC	TG1CC4IF	TG1CC4MK	0	0	0	TG1CC4PR2	TG1CC4PR1	TG1CC4PR0
FFFFF16C <sub>H</sub>	TG1CC5IC	TG1CC5IF	TG1CC5MK	0	0	0	TG1CC5PR2	TG1CC5PR1	TG1CC5PR0

Table 5-10 Addresses and bits of interrupt control registers of  $\mu$ PD70F3424,  $\mu$ PD70F3425,  $\mu$ PD70F3426,  $\mu$ PD70F3427 (3/4)

Address	Register	Bit							
		7	6	5	4	3	2	1	0
FFFFF16 <sub>H</sub>	TY0UV0IC	TY0UV0IF	TY0UV0MK	0	0	0	TY0UV0PR2	TY0UV0PR1	TY0UV0PR0
FFFFF170 <sub>H</sub>	TY0UV1IC	TY0UV1IF	TY0UV1MK	0	0	0	TY0UV1PR2	TY0UV1PR1	TY0UV1PR0
FFFFF172 <sub>H</sub>	ADIC	ADIF	ADMK	0	0	0	ADPR2	ADPR1	ADPR0
FFFFF174 <sub>H</sub>	C0ERRIC	C0ERRIF	C0ERRMK	0	0	0	C0ERRPR2	C0ERRPR1	C0ERRPR0
FFFFF176 <sub>H</sub>	C0WUPIC	C0WUPIF	C0WUPMK	0	0	0	C0WUPPR2	C0WUPPR1	C0WUPPR0
FFFFF178 <sub>H</sub>	C0RECIC	C0RECI	C0RECMK	0	0	0	C0RECPR2	C0RECPR1	C0RECPR0
FFFFF17A <sub>H</sub>	C0TRXIC	C0TRXIF	C0TRXMK	0	0	0	C0TRXPR2	C0TRXPR1	C0TRXPR0
FFFFF17C <sub>H</sub>	CB0REIC	CB0REIF	CB0REMK	0	0	0	CB0REPR2	CB0REPR1	CB0REPR0
FFFFF17E <sub>H</sub>	CB0RIC	CB0RIF	CB0RMK	0	0	0	CB0RPR2	CB0RPR1	CB0RPR0
FFFFF180 <sub>H</sub>	CB0TIC	CB0TIF	CB0TMK	0	0	0	CB0TPR2	CB0TPR1	CB0TPR0
FFFFF182 <sub>H</sub>	UA0REIC	UA0REIF	UA0REMK	0	0	0	UA0REPR2	UA0REPR1	UA0REPR0
FFFFF184 <sub>H</sub>	UA0RIC	UA0RIF	UA0RMK	0	0	0	UA0RPR2	UA0RPR1	UA0RPR0
FFFFF186 <sub>H</sub>	UA0TIC	UA0TIF	UA0TMK	0	0	0	UA0TPR2	UA0TPR1	UA0TPR0
FFFFF188 <sub>H</sub>	UA1REIC	UA1REIF	UA1REMK	0	0	0	UA1REPR2	UA1REPR1	UA1REPR0
FFFFF18A <sub>H</sub>	UA1RIC	UA1RIF	UA1RMK	0	0	0	UA1RPR2	UA1RPR1	UA1RPR0
FFFFF18C <sub>H</sub>	UA1TIC	UA1TIF	UA1TMK	0	0	0	UA1TPR2	UA1TPR1	UA1TPR0
FFFFF18E <sub>H</sub>	IIC0IC	IIC0IF	IIC0MK	0	0	0	IIC0PR2	IIC0PR1	IIC0PR0
FFFFF190 <sub>H</sub>	IIC1IC	IIC1IF	IIC1MK	0	0	0	IIC1PR2	IIC1PR1	IIC1PR0
FFFFF192 <sub>H</sub>	SG0IC	SG0IF	SG0MK	0	0	0	SG0PR2	SG0PR1	SG0PR0
FFFFF194 <sub>H</sub>	DMA0IC	DMA0IF	DMA0MK	0	0	0	DMA0PR2	DMA0PR1	DMA0PR0
FFFFF196 <sub>H</sub>	DMA1IC	DMA1IF	DMA1MK	0	0	0	DMA1PR2	DMA1PR1	DMA1PR0
FFFFF198 <sub>H</sub>	DMA2IC	DMA2IF	DMA2MK	0	0	0	DMA2PR2	DMA2PR1	DMA2PR0
FFFFF19A <sub>H</sub>	DMA3IC	DMA3IF	DMA3MK	0	0	0	DMA3PR2	DMA3PR1	DMA3PR0
FFFFF19C <sub>H</sub>	INT70IC	INT70IF	INT70MK	0	0	0	INT70PR2	INT70PR1	INT70PR0
FFFFF19E <sub>H</sub>	INT71IC	INT71IF	INT71MK	0	0	0	INT71PR2	INT71PR1	INT71PR0
FFFFF1A0 <sub>H</sub>	P7IC	P7IF	P7MK	0	0	0	P7PR2	P7PR1	P7PR0
FFFFF1A2 <sub>H</sub>	C1ERRIC	C1ERRIF	C1ERRMK	0	0	0	C1ERRPR2	C1ERRPR1	C1ERRPR0
FFFFF1A4 <sub>H</sub>	C1WUPIC	C1WUPIF	C1WUPMK	0	0	0	C1WUPPR2	C1WUPPR1	C1WUPPR0
FFFFF1A6 <sub>H</sub>	C1RECIC	C1RECI	C1RECMK	0	0	0	C1RECPR2	C1RECPR1	C1RECPR0
FFFFF1A8 <sub>H</sub>	C1TRXIC	C1TRXIF	C1TRXMK	0	0	0	C1TRXPR2	C1TRXPR1	C1TRXPR0
FFFFF1AA <sub>H</sub>	TZ6UVIC	TZ6UVIF	TZ6UVMK	0	0	0	TZ6UVPR2	TZ6UVPR1	TZ6UVPR0
FFFFF1AC <sub>H</sub>	TZ7UVIC	TZ7UVIF	TZ7UVMK	0	0	0	TZ7UVPR2	TZ7UVPR1	TZ7UVPR0
FFFFF1AE <sub>H</sub>	TZ8UVIC	TZ8UVIF	TZ8UVMK	0	0	0	TZ8UVPR2	TZ8UVPR1	TZ8UVPR0
FFFFF1B0 <sub>H</sub>	TZ9UVIC	TZ9UVIF	TZ9UVMK	0	0	0	TZ9UVPR2	TZ9UVPR1	TZ9UVPR0
FFFFF1B2 <sub>H</sub>	TG2OV0IC	TG2OV0IF	TG2OV0MK	0	0	0	TG2OV0PR2	TG2OV0PR1	TG2OV0PR0
FFFFF1B4 <sub>H</sub>	TG2OV1IC	TG2OV1IF	TG2OV1MK	0	0	0	TG2OV1PR2	TG2OV1PR1	TG2OV1PR0
FFFFF1B6 <sub>H</sub>	TG2CC0IC	TG2CC0IF	TG2CC0MK	0	0	0	TG2CC0PR2	TG2CC0PR1	TG2CC0PR0
FFFFF1B8 <sub>H</sub>	TG2CC1IC	TG2CC1IF	TG2CC1MK	0	0	0	TG2CC1PR2	TG2CC1PR1	TG2CC1PR0
FFFFF1BA <sub>H</sub>	TG2CC2IC	TG2CC2IF	TG2CC2MK	0	0	0	TG2CC2PR2	TG2CC2PR1	TG2CC2PR0
FFFFF1BC <sub>H</sub>	TG2CC3IC	TG2CC3IF	TG2CC3MK	0	0	0	TG2CC3PR2	TG2CC3PR1	TG2CC3PR0

Table 5-10 Addresses and bits of interrupt control registers of  $\mu$ PD70F3424,  $\mu$ PD70F3425,  $\mu$ PD70F3426,  $\mu$ PD70F3427 (4/4)

Address	Register	Bit							
		7	6	5	4	3	2	1	0
FFFFF1BE <sub>H</sub>	TG2CC4IC	TG2CC4IF	TG2CC4MK	0	0	0	TG2CC4PR2	TG2CC4PR1	TG2CC4PR0
FFFFF1C0 <sub>H</sub>	TG2CC5IC	TG2CC5IF	TG2CC5MK	0	0	0	TG2CC5PR2	TG2CC5PR1	TG2CC5PR0
FFFFF1C2 <sub>H</sub>	CB1REIC	CB1REIF	CB1REMK	0	0	0	CB1REPR2	CB1REPR1	CB1REPR0
FFFFF1C4 <sub>H</sub>	CB1RIC	CB1RIF	CB1RMK	0	0	0	CB1RPR2	CB1RPR1	CB1RPR0
FFFFF1C6 <sub>H</sub>	CB1TIC	CB1TIF	CB1TMK	0	0	0	CB1TPR2	CB1TPR1	CB1TPR0
FFFFF1C8 <sub>H</sub>	CB2REIC	CB2REIF	CB2REMK	0	0	0	CB2REPR2	CB2REPR1	CB2REPR0
FFFFF1CA <sub>H</sub>	CB2RIC	CB2RIF	CB2RMK	0	0	0	CB2RPR2	CB2RPR1	CB2RPR0
FFFFF1CC <sub>H</sub>	CB2TIC	CB2TIF	CB2TMK	0	0	0	CB2TPR2	CB2TPR1	CB2TPR0
FFFFF1CE <sub>H</sub>	LCDIC	LCDIF	LCDMK	0	0	0	LCDPR2	LCDPR1	LCDPR0
FFFFF1D0 <sub>H</sub>	C2ERRIC <sup>a</sup>	C2ERRIF	C2ERRMK	0	0	0	C2ERRPR2	C2ERRPR1	C2ERRPR0
FFFFF1D2 <sub>H</sub>	C2WUPIC <sup>a</sup>	C2WUPIF	C2WUPMK	0	0	0	C2WUPPR2	C2WUPPR1	C2WUPPR0
FFFFF1D4 <sub>H</sub>	C2REIC <sup>a</sup>	C2REIF	C2RECMK	0	0	0	C2RECPR2	C2RECPR1	C2RECPR0
FFFFF1D6 <sub>H</sub>	C2TRXIC <sup>a</sup>	C2TRXIF	C2TRXMK	0	0	0	C2TRXPR2	C2TRXPR1	C2TRXPR0

a)  $\mu$ PD70F3424,  $\mu$ PD70F3427 only

Table 5-11 Addresses and bits of interrupt control registers (1/3)

Address	Register	Bit							
		7	6	5	4	3	2	1	0
FFFFF110 <sub>H</sub>	VC0IC	VC0IF	VC0MK	0	0	0	VC0PR2	VC0PR1	VC0PR0
FFFFF112 <sub>H</sub>	VC1IC	VC1IF	VC1MK	0	0	0	VC1PR2	VC1PR1	VC1PR0
FFFFF114 <sub>H</sub>	WT0UVIC	WT0UVIF	WT0UVMK	0	0	0	WT0UVPR2	WT0UVPR1	WT0UVPR0
FFFFF116 <sub>H</sub>	WT1UVIC	WT1UVIF	WT1UVMK	0	0	0	WT1UVPR2	WT1UVPR1	WT1UVPR0
FFFFF11A <sub>H</sub>	TM01IC	TM01IF	TM01MK	0	0	0	TM01PR2	TM01PR1	TM01PR0
FFFFF11C <sub>H</sub>	P0IC	P0IF	P0MK	0	0	0	P0PR2	P0PR1	P0PR0
FFFFF11E <sub>H</sub>	P1IC	P1IF	P1MK	0	0	0	P1PR2	P1PR1	P1PR0
FFFFF120 <sub>H</sub>	P2IC	P2IF	P2MK	0	0	0	P2PR2	P2PR1	P2PR0
FFFFF122 <sub>H</sub>	P3IC	P3IF	P3MK	0	0	0	P3PR2	P3PR1	P3PR0
FFFFF124 <sub>H</sub>	P4IC	P4IF	P4MK	0	0	0	P4PR2	P4PR1	P4PR0
FFFFF126 <sub>H</sub>	P5IC	P5IF	P5MK	0	0	0	P5PR2	P5PR1	P5PR0
FFFFF128 <sub>H</sub>	P6IC	P6IF	P6MK	0	0	0	P6PR2	P6PR1	P6PR0
FFFFF12A <sub>H</sub>	TZ0UVIC	TZ0UVIF	TZ0UVMK	0	0	0	TZ0UVPR2	TZ0UVPR1	TZ0UVPR0
FFFFF12C <sub>H</sub>	TZ1UVIC	TZ1UVIF	TZ1UVMK	0	0	0	TZ1UVPR2	TZ1UVPR1	TZ1UVPR0
FFFFF12E <sub>H</sub>	TZ2UVIC	TZ2UVIF	TZ2UVMK	0	0	0	TZ2UVPR2	TZ2UVPR1	TZ2UVPR0
FFFFF130 <sub>H</sub>	TZ3UVIC	TZ3UVIF	TZ3UVMK	0	0	0	TZ3UVPR2	TZ3UVPR1	TZ3UVPR0
FFFFF132 <sub>H</sub>	TZ4UVIC	TZ4UVIF	TZ4UVMK	0	0	0	TZ4UVPR2	TZ4UVPR1	TZ4UVPR0
FFFFF134 <sub>H</sub>	TZ5UVIC	TZ5UVIF	TZ5UVMK	0	0	0	TZ5UVPR2	TZ5UVPR1	TZ5UVPR0
FFFFF136 <sub>H</sub>	TP0OVIC	TP0OVIF	TP0OVMK	0	0	0	TP0OVPR2	TP0OVPR1	TP0OVPR0
FFFFF138 <sub>H</sub>	TP0CC0IC	TP0CC0IF	TP0CC0MK	0	0	0	TP0CC0PR2	TP0CC0PR1	TP0CC0PR0
FFFFF13A <sub>H</sub>	TP0CC1IC	TP0CC1IF	TP0CC1MK	0	0	0	TP0CC1PR2	TP0CC1PR1	TP0CC1PR0

Table 5-11 Addresses and bits of interrupt control registers (2/3)

Address	Register	Bit							
		7	6	5	4	3	2	1	0
FFFFF13C <sub>H</sub>	TP1OVIC	TP1OVIF	TP1OVMK	0	0	0	TP1OVPR2	TP1OVPR1	TP1OVPR0
FFFFF13E <sub>H</sub>	TP1CC0IC	TP1CC0IF	TP1CC0MK	0	0	0	TP1CC0PR2	TP1CC0PR1	TP1CC0PR0
FFFFF140 <sub>H</sub>	TP1CC1IC	TP1CC1IF	TP1CC1MK	0	0	0	TP1CC1PR2	TP1CC1PR1	TP1CC1PR0
FFFFF142 <sub>H</sub>	TP2OVIC	TP2OVIF	TP2OVMK	0	0	0	TP2OVPR2	TP2OVPR1	TP2OVPR0
FFFFF144 <sub>H</sub>	TP2CC0IC	TP2CC0IF	TP2CC0MK	0	0	0	TP2CC0PR2	TP2CC0PR1	TP2CC0PR0
FFFFF146 <sub>H</sub>	TP2CC1IC	TP2CC1IF	TP2CC1MK	0	0	0	TP2CC1PR2	TP2CC1PR1	TP2CC1PR0
FFFFF148 <sub>H</sub>	TP3OVIC	TP3OVIF	TP3OVMK	0	0	0	TP3OVPR2	TP3OVPR1	TP3OVPR0
FFFFF14A <sub>H</sub>	TP3CC0IC	TP3CC0IF	TP3CC0MK	0	0	0	TP3CC0PR2	TP3CC0PR1	TP3CC0PR0
FFFFF14C <sub>H</sub>	TP3CC1IC	TP3CC1IF	TP3CC1MK	0	0	0	TP3CC1PR2	TP3CC1PR1	TP3CC1PR0
FFFFF14E <sub>H</sub>	TG0OV0IC	TG0OV0IF	TG0OV0MK	0	0	0	TG0OV0PR2	TG0OV0PR1	TG0OV0PR0
FFFFF150 <sub>H</sub>	TG0OV1IC	TG0OV1IF	TG0OV1MK	0	0	0	TG0OV1PR2	TG0OV1PR1	TG0OV1PR0
FFFFF152 <sub>H</sub>	TG0CC0IC	TG0CC0IF	TG0CC0MK	0	0	0	TG0CC0PR2	TG0CC0PR1	TG0CC0PR0
FFFFF154 <sub>H</sub>	TG0CC1IC	TG0CC1IF	TG0CC1MK	0	0	0	TG0CC1PR2	TG0CC1PR1	TG0CC1PR0
FFFFF156 <sub>H</sub>	TG0CC2IC	TG0CC2IF	TG0CC2MK	0	0	0	TG0CC2PR2	TG0CC2PR1	TG0CC2PR0
FFFFF158 <sub>H</sub>	TG0CC3IC	TG0CC3IF	TG0CC3MK	0	0	0	TG0CC3PR2	TG0CC3PR1	TG0CC3PR0
FFFFF15A <sub>H</sub>	TG0CC4IC	TG0CC4IF	TG0CC4MK	0	0	0	TG0CC4PR2	TG0CC4PR1	TG0CC4PR0
FFFFF15C <sub>H</sub>	TG0CC5IC	TG0CC5IF	TG0CC5MK	0	0	0	TG0CC5PR2	TG0CC5PR1	TG0CC5PR0
FFFFF15E <sub>H</sub>	TG1OV0IC	TG1OV0IF	TG1OV0MK	0	0	0	TG1OV0PR2	TG1OV0PR1	TG1OV0PR0
FFFFF160 <sub>H</sub>	TG1OV1IC	TG1OV1IF	TG1OV1MK	0	0	0	TG1OV1PR2	TG1OV1PR1	TG1OV1PR0
FFFFF162 <sub>H</sub>	TG1CC0IC	TG1CC0IF	TG1CC0MK	0	0	0	TG1CC0PR2	TG1CC0PR1	TG1CC0PR0
FFFFF164 <sub>H</sub>	TG1CC1IC	TG1CC1IF	TG1CC1MK	0	0	0	TG1CC1PR2	TG1CC1PR1	TG1CC1PR0
FFFFF166 <sub>H</sub>	TG1CC2IC	TG1CC2IF	TG1CC2MK	0	0	0	TG1CC2PR2	TG1CC2PR1	TG1CC2PR0
FFFFF168 <sub>H</sub>	TG1CC3IC	TG1CC3IF	TG1CC3MK	0	0	0	TG1CC3PR2	TG1CC3PR1	TG1CC3PR0
FFFFF16A <sub>H</sub>	TG1CC4IC	TG1CC4IF	TG1CC4MK	0	0	0	TG1CC4PR2	TG1CC4PR1	TG1CC4PR0
FFFFF16C <sub>H</sub>	TG1CC5IC	TG1CC5IF	TG1CC5MK	0	0	0	TG1CC5PR2	TG1CC5PR1	TG1CC5PR0
FFFFF16E <sub>H</sub>	TY0CC0IC	TY0CC0IF	TY0CC0MK	0	0	0	TY0CC0PR2	TY0CC0PR1	TY0CC0PR0
FFFFF170 <sub>H</sub>	TY0CC1IC	TY0CC1IF	TY0CC1MK	0	0	0	TY0CC1PR2	TY0CC1PR1	TY0CC1PR0
FFFFF172 <sub>H</sub>	ADIC	ADIF	ADMK	0	0	0	ADPR2	ADPR1	ADPR0
FFFFF174 <sub>H</sub>	C0ERRIC	C0ERRIF	C0ERRMK	0	0	0	C0ERRPR2	C0ERRPR1	C0ERRPR0
FFFFF176 <sub>H</sub>	C0WUPIC	C0WUPIF	C0WUPMK	0	0	0	C0WUPPR2	C0WUPPR1	C0WUPPR0
FFFFF178 <sub>H</sub>	C0RECIC	C0RECF	C0RECMK	0	0	0	C0RECPR2	C0RECPR1	C0RECPR0
FFFFF17A <sub>H</sub>	C0TRXIC	C0TRXIF	C0TRXMK	0	0	0	C0TRXPR2	C0TRXPR1	C0TRXPR0
FFFFF17C <sub>H</sub>	CB0REIC	CB0REIF	CB0REMK	0	0	0	CB0REPR2	CB0REPR1	CB0REPR0
FFFFF17E <sub>H</sub>	CB0RIC	CB0RIF	CB0RMK	0	0	0	CB0RPR2	CB0RPR1	CB0RPR0
FFFFF180 <sub>H</sub>	CB0TIC	CB0TIF	CB0TMK	0	0	0	CB0TPR2	CB0TPR1	CB0TPR0
FFFFF182 <sub>H</sub>	UA0REIC	UA0REIF	UA0REMK	0	0	0	UA0REPR2	UA0REPR1	UA0REPR0
FFFFF184 <sub>H</sub>	UA0RIC	UA0RIF	UA0RMK	0	0	0	UA0RPR2	UA0RPR1	UA0RPR0
FFFFF186 <sub>H</sub>	UA0TIC	UA0TIF	UA0TMK	0	0	0	UA0TPR2	UA0TPR1	UA0TPR0
FFFFF188 <sub>H</sub>	UA1REIC	UA1REIF	UA1REMK	0	0	0	UA1REPR2	UA1REPR1	UA1REPR0
FFFFF18A <sub>H</sub>	UA1RIC	UA1RIF	UA1RMK	0	0	0	UA1RPR2	UA1RPR1	UA1RPR0

Table 5-11 Addresses and bits of interrupt control registers (3/3)

Address	Register	Bit							
		7	6	5	4	3	2	1	0
FFFFF18C <sub>H</sub>	UA1TIC	UA1TIF	UA1TMK	0	0	0	UA1TPR2	UA1TPR1	UA1TPR0
FFFFF18E <sub>H</sub>	IIC0IC	IIC0IF	IIC0MK	0	0	0	IIC0PR2	IIC0PR1	IIC0PR0
FFFFF190 <sub>H</sub>	IIC1IC	IIC1IF	IIC1MK	0	0	0	IIC1PR2	IIC1PR1	IIC1PR0
FFFFF192 <sub>H</sub>	SG0IC	SG0IF	SG0MK	0	0	0	SG0PR2	SG0PR1	SG0PR0
FFFFF194 <sub>H</sub>	DMA0IC	DMA0IF	DMA0MK	0	0	0	DMA0PR2	DMA0PR1	DMA0PR0
FFFFF196 <sub>H</sub>	DMA1IC	DMA1IF	DMA1MK	0	0	0	DMA1PR2	DMA1PR1	DMA1PR0
FFFFF198 <sub>H</sub>	DMA2IC	DMA2IF	DMA2MK	0	0	0	DMA2PR2	DMA2PR1	DMA2PR0
FFFFF19A <sub>H</sub>	DMA3IC	DMA3IF	DMA3MK	0	0	0	DMA3PR2	DMA3PR1	DMA3PR0
FFFFF19C <sub>H</sub>	INT70IC	INT70IF	INT70MK	0	0	0	INT70PR2	INT70PR1	INT70PR0
FFFFF19E <sub>H</sub>	INT71IC	INT71IF	INT71MK	0	0	0	INT71PR2	INT71PR1	INT71PR0
FFFFF1A0 <sub>H</sub>	P7IC <sup>a</sup>	P7IF	P7MK	0	0	0	P7PR2	P7PR1	P7PR0
FFFFF1A2 <sub>H</sub>	C1ERRIC	C1ERRIF	C1ERRMK	0	0	0	C1ERRPR2	C1ERRPR1	C1ERRPR0
FFFFF1A4 <sub>H</sub>	C1WUPIC	C1WUPIF	C1WUPMK	0	0	0	C1WUPPR2	C1WUPPR1	C1WUPPR0
FFFFF1A6 <sub>H</sub>	C1REIC	C1REIF	C1RECMK	0	0	0	C1RECPR2	C1RECPR1	C1RECPR0
FFFFF1A8 <sub>H</sub>	C1TRXIC	C1TRXIF	C1TRXMK	0	0	0	C1TRXPR2	C1TRXPR1	C1TRXPR0
FFFFF1AA <sub>H</sub>	TZ6UVIC <sup>a</sup>	TZ6UVIF	TZ6UVMK	0	0	0	TZ6UVPR2	TZ6UVPR1	TZ6UVPR0
FFFFF1AC <sub>H</sub>	TZ7UVIC <sup>a</sup>	TZ7UVIF	TZ7UVMK	0	0	0	TZ7UVPR2	TZ7UVPR1	TZ7UVPR0
FFFFF1AE <sub>H</sub>	TZ8UVIC <sup>a</sup>	TZ8UVIF	TZ8UVMK	0	0	0	TZ8UVPR2	TZ8UVPR1	TZ8UVPR0
FFFFF1B0 <sub>H</sub>	TZ9UVIC <sup>a</sup>	TZ9UVIF	TZ9UVMK	0	0	0	TZ9UVPR2	TZ9UVPR1	TZ9UVPR0
FFFFF1B2 <sub>H</sub>	TG2OV0IC	TG2OV0IF	TG2OV0MK	0	0	0	TG2OV0PR2	TG2OV0PR1	TG2OV0PR0
FFFFF1B4 <sub>H</sub>	TG2OV1IC	TG2OV1IF	TG2OV1MK	0	0	0	TG2OV1PR2	TG2OV1PR1	TG2OV1PR0
FFFFF1B6 <sub>H</sub>	TG2CC0IC	TG2CC0IF	TG2CC0MK	0	0	0	TG2CC0PR2	TG2CC0PR1	TG2CC0PR0
FFFFF1B8 <sub>H</sub>	TG2CC1IC	TG2CC1IF	TG2CC1MK	0	0	0	TG2CC1PR2	TG2CC1PR1	TG2CC1PR0
FFFFF1BA <sub>H</sub>	TG2CC2IC	TG2CC2IF	TG2CC2MK	0	0	0	TG2CC2PR2	TG2CC2PR1	TG2CC2PR0
FFFFF1BC <sub>H</sub>	TG2CC3IC	TG2CC3IF	TG2CC3MK	0	0	0	TG2CC3PR2	TG2CC3PR1	TG2CC3PR0
FFFFF1BE <sub>H</sub>	TG2CC4IC	TG2CC4IF	TG2CC4MK	0	0	0	TG2CC4PR2	TG2CC4PR1	TG2CC4PR0
FFFFF1C0 <sub>H</sub>	TG2CC5IC	TG2CC5IF	TG2CC5MK	0	0	0	TG2CC5PR2	TG2CC5PR1	TG2CC5PR0
FFFFF1C2 <sub>H</sub>	CB1REIC	CB1REIF	CB1REMK	0	0	0	CB1REPR2	CB1REPR1	CB1REPR0
FFFFF1C4 <sub>H</sub>	CB1RIC	CB1RIF	CB1RMK	0	0	0	CB1RPR2	CB1RPR1	CB1RPR0
FFFFF1C6 <sub>H</sub>	CB1TIC	CB1TIF	CB1TMK	0	0	0	CB1TPR2	CB1TPR1	CB1TPR0
FFFFF1C8 <sub>H</sub>	CB2REIC <sup>a</sup>	CB2REIF	CB2REMK	0	0	0	CB2REPR2	CB2REPR1	CB2REPR0
FFFFF1CA <sub>H</sub>	CB2RIC <sup>a</sup>	CB2RIF	CB2RMK	0	0	0	CB2RPR2	CB2RPR1	CB2RPR0
FFFFF1CC <sub>H</sub>	CB2TIC <sup>a</sup>	CB2TIF	CB2TMK	0	0	0	CB2TPR2	CB2TPR1	CB2TPR0
FFFFF1CE <sub>H</sub>	LCDIC	LCDIF	LCDMK	0	0	0	LCDPR2	LCDPR1	LCDPR0
FFFFF1D0 <sub>H</sub>	C2ERRIC <sup>b</sup>	C2ERRIF	C2ERRMK	0	0	0	C2ERRPR2	C2ERRPR1	C2ERRPR0
FFFFF1D2 <sub>H</sub>	C2WUPIC <sup>a</sup>	C2WUPIF	C2WUPMK	0	0	0	C2WUPPR2	C2WUPPR1	C2WUPPR0
FFFFF1D4 <sub>H</sub>	C2REIC <sup>a</sup>	C2REIF	C2RECMK	0	0	0	C2RECPR2	C2RECPR1	C2RECPR0
FFFFF1D6 <sub>H</sub>	C2TRXIC <sup>a</sup>	C2TRXIF	C2TRXMK	0	0	0	C2TRXPR2	C2TRXPR1	C2TRXPR0

a) μPD70F3424, μPD70F3425, μPD70F3426A, μPD70F3427 only

b) not available on μPD70F3426A

Table 5-12 Addresses and bits of interrupt control registers (1/2)

Address	Register	Bit							
		7	6	5	4	3	2	1	0
FFFFF114 <sub>H</sub>	WT0UVIC	WT0UVIF	WT0UVMK	0	0	0	WT0UVPR2	WT0UVPR1	WT0UVPR0
FFFFF116 <sub>H</sub>	WT1UVIC	WT1UVIF	WT1UVMK	0	0	0	WT1UVPR2	WT1UVPR1	WT1UVPR0
FFFFF11A <sub>H</sub>	TM01IC	TM01IF	TM01MK	0	0	0	TM01PR2	TM01PR1	TM01PR0
FFFFF11C <sub>H</sub>	P0IC	P0IF	P0MK	0	0	0	P0PR2	P0PR1	P0PR0
FFFFF11E <sub>H</sub>	P1IC	P1IF	P1MK	0	0	0	P1PR2	P1PR1	P1PR0
FFFFF120 <sub>H</sub>	P2IC	P2IF	P2MK	0	0	0	P2PR2	P2PR1	P2PR0
FFFFF122 <sub>H</sub>	P3IC	P3IF	P3MK	0	0	0	P3PR2	P3PR1	P3PR0
FFFFF12A <sub>H</sub>	TZ0UVIC	TZ0UVIF	TZ0UVMK	0	0	0	TZ0UVPR2	TZ0UVPR1	TZ0UVPR0
FFFFF12C <sub>H</sub>	TZ1UVIC	TZ1UVIF	TZ1UVMK	0	0	0	TZ1UVPR2	TZ1UVPR1	TZ1UVPR0
FFFFF12E <sub>H</sub>	TZ2UVIC	TZ2UVIF	TZ2UVMK	0	0	0	TZ2UVPR2	TZ2UVPR1	TZ2UVPR0
FFFFF130 <sub>H</sub>	TZ3UVIC	TZ3UVIF	TZ3UVMK	0	0	0	TZ3UVPR2	TZ3UVPR1	TZ3UVPR0
FFFFF132 <sub>H</sub>	TZ4UVIC	TZ4UVIF	TZ4UVMK	0	0	0	TZ4UVPR2	TZ4UVPR1	TZ4UVPR0
FFFFF134 <sub>H</sub>	TZ5UVIC	TZ5UVIF	TZ5UVMK	0	0	0	TZ5UVPR2	TZ5UVPR1	TZ5UVPR0
FFFFF136 <sub>H</sub>	TP0OVIC	TP0OVIF	TP0OVMK	0	0	0	TP0OVPR2	TP0OVPR1	TP0OVPR0
FFFFF138 <sub>H</sub>	TP0CC0IC	TP0CC0IF	TP0CC0MK	0	0	0	TP0CC0PR2	TP0CC0PR1	TP0CC0PR0
FFFFF13A <sub>H</sub>	TP0CC1IC	TP0CC1IF	TP0CC1MK	0	0	0	TP0CC1PR2	TP0CC1PR1	TP0CC1PR0
FFFFF14E <sub>H</sub>	TG0OV0IC	TG0OV0IF	TG0OV0MK	0	0	0	TG0OV0PR2	TG0OV0PR1	TG0OV0PR0
FFFFF150 <sub>H</sub>	TG0OV1IC	TG0OV1IF	TG0OV1MK	0	0	0	TG0OV1PR2	TG0OV1PR1	TG0OV1PR0
FFFFF152 <sub>H</sub>	TG0CC0IC	TG0CC0IF	TG0CC0MK	0	0	0	TG0CC0PR2	TG0CC0PR1	TG0CC0PR0
FFFFF154 <sub>H</sub>	TG0CC1IC	TG0CC1IF	TG0CC1MK	0	0	0	TG0CC1PR2	TG0CC1PR1	TG0CC1PR0
FFFFF156 <sub>H</sub>	TG0CC2IC	TG0CC2IF	TG0CC2MK	0	0	0	TG0CC2PR2	TG0CC2PR1	TG0CC2PR0
FFFFF158 <sub>H</sub>	TG0CC3IC	TG0CC3IF	TG0CC3MK	0	0	0	TG0CC3PR2	TG0CC3PR1	TG0CC3PR0
FFFFF15A <sub>H</sub>	TG0CC4IC	TG0CC4IF	TG0CC4MK	0	0	0	TG0CC4PR2	TG0CC4PR1	TG0CC4PR0
FFFFF15C <sub>H</sub>	TG0CC5IC	TG0CC5IF	TG0CC5MK	0	0	0	TG0CC5PR2	TG0CC5PR1	TG0CC5PR0
FFFFF15E <sub>H</sub>	TG1OV0IC	TG1OV0IF	TG1OV0MK	0	0	0	TG1OV0PR2	TG1OV0PR1	TG1OV0PR0
FFFFF160 <sub>H</sub>	TG1OV1IC	TG1OV1IF	TG1OV1MK	0	0	0	TG1OV1PR2	TG1OV1PR1	TG1OV1PR0
FFFFF162 <sub>H</sub>	TG1CC0C	TG1CC0IF	TG1CC0MK	0	0	0	TG1CC0PR2	TG1CC0PR1	TG1CC0PR0
FFFFF164 <sub>H</sub>	TG1CC1IC	TG1CC1IF	TG1CC1MK	0	0	0	TG1CC1PR2	TG1CC1PR1	TG1CC1PR0
FFFFF166 <sub>H</sub>	TG1CC2IC	TG1CC2IF	TG1CC2MK	0	0	0	TG1CC2PR2	TG1CC2PR1	TG1CC2PR0
FFFFF168 <sub>H</sub>	TG1CC3IC	TG1CC3IF	TG1CC3MK	0	0	0	TG1CC3PR2	TG1CC3PR1	TG1CC3PR0
FFFFF16A <sub>H</sub>	TG1CC4IC	TG1CC4IF	TG1CC4MK	0	0	0	TG1CC4PR2	TG1CC4PR1	TG1CC4PR0
FFFFF16C <sub>H</sub>	TG1CC5IC	TG1CC5IF	TG1CC5MK	0	0	0	TG1CC5PR2	TG1CC5PR1	TG1CC5PR0
FFFFF172 <sub>H</sub>	ADIC	ADIF	ADMK	0	0	0	ADPR2	ADPR1	ADPR0
FFFFF174 <sub>H</sub>	C0ERRIC	C0ERRIF	C0ERRMK	0	0	0	C0ERRPR2	C0ERRPR1	C0ERRPR0
FFFFF176 <sub>H</sub>	C0WUPIC	C0WUPIF	C0WUPMK	0	0	0	C0WUPPR2	C0WUPPR1	C0WUPPR0
FFFFF178 <sub>H</sub>	C0RECIC	C0RECIF	C0RECMK	0	0	0	C0RECPR2	C0RECPR1	C0RECPR0
FFFFF17A <sub>H</sub>	C0TRXIC	C0TRXIF	C0TRXMK	0	0	0	C0TRXPR2	C0TRXPR1	C0TRXPR0
FFFFF17C <sub>H</sub>	CB0REIC	CB0REIF	CB0REMK	0	0	0	CB0REPR2	CB0REPR1	CB0REPR0
FFFFF17E <sub>H</sub>	CB0RIC	CB0RIF	CB0RMK	0	0	0	CB0RPR2	CB0RPR1	CB0RPR0
FFFFF180 <sub>H</sub>	CB0TIC	CB0TIF	CB0TMK	0	0	0	CB0TPR2	CB0TPR1	CB0TPR0



Table 5-12 Addresses and bits of interrupt control registers (2/2)

Address	Register	Bit							
		7	6	5	4	3	2	1	0
FFFFF182 <sub>H</sub>	UA0REIC	UA0REIF	UA0REMK	0	0	0	UA0REPR2	UA0REPR1	UA0REPR0
FFFFF184 <sub>H</sub>	UA0RIC	UA0RIF	UA0RMK	0	0	0	UA0RPR2	UA0RPR1	UA0RPR0
FFFFF186 <sub>H</sub>	UA0TIC	UA0TIF	UA0TMK	0	0	0	UA0TPR2	UA0TPR1	UA0TPR0
FFFFF188 <sub>H</sub>	UA1REIC	UA1REIF	UA1REMK	0	0	0	UA1REPR2	UA1REPR1	UA1REPR0
FFFFF18A <sub>H</sub>	UA1RIC	UA1RIF	UA1RMK	0	0	0	UA1RPR2	UA1RPR1	UA1RPR0
FFFFF18C <sub>H</sub>	UA1TIC	UA1TIF	UA1TMK	0	0	0	UA1TPR2	UA1TPR1	UA1TPR0
FFFFF18E <sub>H</sub>	IIC0IC	IIC0IF	IIC0MK	0	0	0	IIC0PR2	IIC0PR1	IIC0PR0
FFFFF19C <sub>H</sub>	INT70IC	INT70IF	INT70MK	0	0	0	INT70PR2	INT70PR1	INT70PR0
FFFFF19E <sub>H</sub>	INT71IC	INT71IF	INT71MK	0	0	0	INT71PR2	INT71PR1	INT71PR0
FFFFF1C2 <sub>H</sub>	CB1REIC	CB1REIF	CB1REMK	0	0	0	CB1REPR2	CB1REPR1	CB1REPR0
FFFFF1C4 <sub>H</sub>	CB1RIC	CB1RIF	CB1RMK	0	0	0	CB1RPR2	CB1RPR1	CB1RPR0
FFFFF1C6 <sub>H</sub>	CB1TIC	CB1TIF	CB1TMK	0	0	0	CB1TPR2	CB1TPR1	CB1TPR0

### 5.3.5 IMR0 to IMR6 - Interrupt mask registers

These registers set the interrupt mask state for the maskable interrupts.

The xxMK bit of the IMRm (m = 0 to 6) registers is equivalent to the xxMK bit of the xxIC register.

**Caution** IMask bits without function, indicated with “1”, must not be altered. Make sure to set them “1” when writing to the register.

**Access** These registers can be read/written in 16-bit and 8-bit units.

The address of the lower 8-bit register IMRmL is equal to that of the 16-bit IMRm register, and the higher 8-bit register IMRmH can be accessed on the following address (address (IMRm) + 1).

**Address**

IMR0, IMR0L:	FFFF F100 <sub>H</sub>	IMR0H:	FFFF F101 <sub>H</sub>
IMR1, IMR1L:	FFFF F102 <sub>H</sub>	IMR0H:	FFFF F101 <sub>H</sub>
IMR2, IMR2L:	FFFF F104 <sub>H</sub>	IMR0H:	FFFF F101 <sub>H</sub>
IMR3, IMR3L:	FFFF F106 <sub>H</sub>	IMR0H:	FFFF F101 <sub>H</sub>
IMR4, IMR4L:	FFFF F108 <sub>H</sub>	IMR0H:	FFFF F101 <sub>H</sub>
IMR5, IMR5L:	FFFF F10A <sub>H</sub>	IMR0H:	FFFF F101 <sub>H</sub>
IMR6, IMR6L:	FFFF F10C <sub>H</sub>	IMR0H:	FFFF F101 <sub>H</sub>

**Initial Value** FFFF<sub>H</sub>

	15	14	13	12	11	10	9	8
<b>IMR0</b>	TZ2UVMK	TZ1UVMK	TZ0UVMK	P6MK	P5MK	P4MK	P3MK	P2MK
	R/W	R/W	R/W	R/W	R/W	R/W	R/W	R/W
	7	6	5	4	3	2	1	0
	P1MK	P0MK	TM01MK	1	WT1UVMK	WT0UVMK	VC1MK	VC0MK
	R/W	R/W	R/W	R/W	R/W	R/W	R/W	R/W

	7	6	5	4	3	2	1	0
<b>IMR1</b>	TG0OV0MK	TP3CC1MK	TP3CC0MK	TP3OVMK	TP2CC1MK	TP2CC0MK	TP2OVMK	TP1CC1MK
	R/W	R/W	R/W	R/W	R/W	R/W	R/W	R/W
	7	6	5	4	3	2	1	0
	TP1CC0MK	TP1OVMK	TP0CC1MK	TP0CC0MK	TP0OVMK	TZ5UVMK	TZ4UVMK	TZ3UVMK
	R/W	R/W	R/W	R/W	R/W	R/W	R/W	R/W

	7	6	5	4	3	2	1	0
<b>IMR2</b>	TY0UV0MK	TG1CC5MK	TG1CC4MK	TG1CC3MK	TG1CC2MK	TG1CC1MK	TG1CC0MK	TG1OV1MK
	R/W	R/W	R/W	R/W	R/W	R/W	R/W	R/W
	7	6	5	4	3	2	1	0
	TG1OV0MK	TG0CC5MK	TG0CC4MK	TG0CC3MK	TG0CC2MK	TG0CC1MK	TG0CC0MK	TG0OV1MK
	R/W	R/W	R/W	R/W	R/W	R/W	R/W	R/W

	7	6	5	4	3	2	1	0
<b>IMR3</b>	IIC0MK	UA1TMK	UA1RMK	UA1REMK	UA0TMK	UA0RMK	UA0REMK	CB0TMK
	R/W	R/W	R/W	R/W	R/W	R/W	R/W	R/W

	7	6	5	4	3	2	1	0
	CB0RMK	CB0REMK	C0TRXMK	C0RECMK	C0WUPMK	C0ERRMK	ADMK	TY0UV1MK
	R/W	R/W	R/W	R/W	R/W	R/W	R/W	R/W

	7	6	5	4	3	2	1	0
<b>IMR4</b>	TZ8UVMK	TZ7UVMK	TZ6UVMK	C1TRXMK	C1RECMK	C1WUPMK	C1ERRMK	P7MK
	R/W	R/W	R/W	R/W	R/W	R/W	R/W	R/W

	7	6	5	4	3	2	1	0
	INT71MK	INT70MK	DMA3MK	DMA2MK	DMA1MK	DMA0MK	SG0MK	IIC1MK
	R/W	R/W	R/W	R/W	R/W	R/W	R/W	R/W

	7	6	5	4	3	2	1	0
<b>IMR5</b>	LCDMK	CB2TMK	CB2RMK	CB2REMK	CB1TMK	CB1RMK	CB1REMK	TG2CC5MK
	R/W	R/W	R/W	R/W	R/W	R/W	R/W	R/W

	7	6	5	4	3	2	1	0
	TG2CC4MK	TG2CC3MK	TG2CC2MK	TG2CC1MK	TG2CC0MK	TG2OV1MK	TG2OV0MK	TZ9UVMK
	R/W	R/W	R/W	R/W	R/W	R/W	R/W	R/W

	7	6	5	4	3	2	1	0
<b>IMR6</b>	1	1	1	1	1	1	1	1
	R/W	R/W	R/W	R/W	R/W	R/W	R/W	R/W

	7	6	5	4	3	2	1	0
	1	1	1	1	C2TRXMK	C2RECMK	C2WUPMK	C2ERRMK
	R/W	R/W	R/W	R/W	R/W	R/W	R/W	R/W

For  $\mu$ PD70F3421,  $\mu$ PD70F3422,  $\mu$ PD70F3423 only:

	7	6	5	4	3	2	1	0
<b>IMR4</b>	1	1	1	C1TRXMK	C1RECMK	C1WUPMK	C1ERRMK	1
	R/W	R/W	R/W	R/W	R/W	R/W	R/W	R/W

	7	6	5	4	3	2	1	0
	INT71MK	INT70MK	DMA3MK	DMA2MK	DMA1MK	DMA0MK	SG0MK	IIC1MK
	R/W	R/W	R/W	R/W	R/W	R/W	R/W	R/W

	7	6	5	4	3	2	1	0
<b>IMR5</b>	LCDMK	1	1	1	CB1TMK	CB1RMK	CB1REMK	TG2CC5MK
	R/W	R/W	R/W	R/W	R/W	R/W	R/W	R/W

	7	6	5	4	3	2	1	0
	TG2CC4MK	TG2CC3MK	TG2CC2MK	TG2CC1MK	TG2CC0MK	TG2OV1MK	TG2OV0MK	1
	R/W	R/W	R/W	R/W	R/W	R/W	R/W	R/W

For  $\mu$ PD70F3424,  $\mu$ PD70F3425,  $\mu$ PD70F3426A,  $\mu$ PD70F3427 only:

IMR4	7	6	5	4	3	2	1	0
	TZ8UVMK	TZ7UVMK	TZ6UVMK	C1TRXMK	C1RECMK	C1WUPMK	C1ERRMK	P7MK
	R/W	R/W	R/W	R/W	R/W	R/W	R/W	R/W

	7	6	5	4	3	2	1	0
	INT71MK	INT70MK	DMA3MK	DMA2MK	DMA1MK	DMA0MK	SG0MK	IIC1MK
	R/W	R/W	R/W	R/W	R/W	R/W	R/W	R/W

IMR5	7	6	5	4	3	2	1	0
	LCDMK	CB2TMK	CB2RMK	CB2REMK	CB1TMK	CB1RMK	CB1REMK	TG2CC5MK
	R/W	R/W	R/W	R/W	R/W	R/W	R/W	R/W

	7	6	5	4	3	2	1	0
	TG2CC4MK	TG2CC3MK	TG2CC2MK	TG2CC1MK	TG2CC0MK	TG2OV1MK	TG2OV0MK	TZ9UVMK
	R/W	R/W	R/W	R/W	R/W	R/W	R/W	R/W

For  $\mu$ PD70F3421,  $\mu$ PD70F3422,  $\mu$ PD70F3423,  $\mu$ PD70F3424,  $\mu$ PD70F3425,  $\mu$ PD70F3427 only:

IMR6	7	6	5	4	3	2	1	0
	1	1	1	1	1	1	1	1
	R/W	R/W	R/W	R/W	R/W	R/W	R/W	R/W

	7	6	5	4	3	2	1	0
	1	1	1	1	C2TRXMK	C2RECMK	C2WUPMK	C2ERRMK
	R/W	R/W	R/W	R/W	R/W	R/W	R/W	R/W

Bit position	Bit name	Function
15 to 0	xxMK	Interrupt mask flag. 0: Interrupt servicing enabled 1: Interrupt servicing disabled (pending)

**Note** xx: identification name of each peripheral unit (VC0-VC1, WT0UV-WT1UV, TM01, P0-P7, TZ0UV-TZ9UV, TP0OV-TP3OV, TP0CC0-TP3CC0, TP0CC1-TP3CC1, TG0OV0-TG2OV0, TG0OV1-TG2OV1, TG0CC0-TG2CC0, TG0CC1-TG2CC1, TG0CC2-TG2CC2, TG0CC3-TG2CC3, TG0CC4-TG2CC4, TG0CC5-TG2CC5, TY0CC0, TY0CC1, ADC0ERR-C2ERR, C0WUP-C2WUP, C0REC-C2REC, C0TRX-C2TRX, CB0RE-CB2RE, CB0R-CB2R, CB0T-CB2T, UA0RE-UA1RE, UA0R-UA1R, UA0T-UA1T, IIC0-IIC1, SG0, DMA0-DMA3, INT70, INT71, LCD)

### 5.3.6 ISPR - In-service priority register

This register holds the priority level of the maskable interrupt currently acknowledged. When an interrupt request is acknowledged, the bit of this register corresponding to the priority level of that interrupt request is set to 1 and remains set while the interrupt is serviced.

When the RETI instruction is executed, the bit corresponding to the interrupt request having the highest priority is automatically reset to 0 by hardware. However, it is not reset to 0 when execution is returned from non-maskable interrupt servicing or exception processing.

This register is read-only in 8-bit or 1-bit units.

This register can be read/written in 8-bit or 1-bit units.

**Address** FFFF F19A<sub>H</sub>

**Initial Value** 00<sub>H</sub>

7	6	5	4	3	2	1	0
ISPR7	ISPR6	ISPR5	ISPR4	ISPR3	ISPR2	ISPR1	ISPR0
R/W	R/W	R/W	R/W	R/W	R/W	R/W	R/W

Bit position	Bit name	Function
7 to 0	ISPR7 to ISPR0	Indicates priority of interrupt currently acknowledged 0: Interrupt request with priority n not acknowledged 1: Interrupt request with priority n acknowledged

**Note** n = 0 to 7 (priority level)

### 5.3.7 Maskable interrupt status flag (ID)

The ID flag is bit 5 of the PSW and this controls the maskable interrupt's operating state, and stores control information regarding enabling or disabling of interrupt requests.

**Initial Value** 0000 0020<sub>H</sub>. The program status is initialized by any reset.

31	8	7	6	5	4	3	2	1	0
fixed to 0	NP	EP	ID	SAT	CY	OV	S	Z	
R	R	R/W	R/W	R/W	R/W	R/W	R/W	R/W	R/W

Bit position	Bit name	Function
5	ID	Indicates whether maskable interrupt processing is enabled or disabled. 0: Maskable interrupt request acknowledgement enabled 1: Maskable interrupt request acknowledgement disabled (pending) This bit is set to 1 by the DI instruction and reset to 0 by the EI instruction. Its value is also modified by the RETI instruction or LDSR instruction when referencing to PSW. Non-maskable interrupt requests and exceptions are acknowledged regardless of this flag. when a maskable interrupt is acknowledged, the ID flag is automatically set to 1 by hardware. The interrupt request generated during the acknowledgement disabled period (ID = 1) is acknowledged when the PIFn bit of PICn register is set to 1, and the ID flag is reset to 0.

### 5.3.8 External maskable interrupts

This microcontroller provides maskable external interrupts INTP<sub>n</sub> with the following features:

- Analog input filter (refer to *“Analog filtered inputs” on page 104*)
- Interrupt detection selectable for each interrupt input:
  - Rising edge
  - Falling edge
  - Both edges: rising and falling edge
  - High level
  - Low level
- Wakeup capability from stand-by mode of INTP<sub>n</sub> upon
  - Rising edge
  - Falling edge
  - Both edges: rising and falling edge

For configuration of the external interrupt events refer to *“Edge and Level Detection Configuration” on page 257*.

### 5.3.9 Software interrupts

This microcontroller provides maskable software interrupts to for processing of an interrupt service routine by the application software.

For initiating a software interrupt the interrupt request flag xxIC.xxIF of the concerned software interrupt “xx” must be set to 1. The following processing is identical to that of all other maskable interrupts.

## 5.4 Edge and Level Detection Configuration

The microcontroller provides the maskable external interrupts INTPn and one non-maskable interrupt (NMI).

INTPn can be configured to generate interrupts upon edges or levels, the NMI can be set up to react on edges.

### (1) INTM0 to INTM3 - External interrupt configuration register

External interrupt function is configured by the registers INTM0...INTM3.

**Access** These registers can be read/written in 8-bit and 1-bit units.

**Address** INTM0: FFFF F700<sub>H</sub>  
 INTM1: FFFF F702<sub>H</sub>  
 INTM2: FFFF F704<sub>H</sub>  
 INTM3: FFFF F706<sub>H</sub>

**Initial Value** 00<sub>H</sub>

	7	6	5	4	3	2	1	0
<b>INTM0</b>	0	ELSEL1	ESEL11	ESEL10	NMIEN	ELSEL0	ESEL01	ESEL00
	R	R/W	R/W	R/W	R/W	R/W	R/W	R/W
	7	6	5	4	3	2	1	0
<b>INTM1</b>	0	ELSEL3	ESEL31	ESEL30	0	ELSEL2	ESEL21	ESEL20
	R	R/W	R/W	R/W	R	R/W	R/W	R/W
	7	6	5	4	3	2	1	0
<b>INTM2</b>	0	ELSEL5	ESEL51	ESEL50	0	ELSEL4	ESEL41	ESEL40
	R	R/W	R/W	R/W	R	R/W	R/W	R/W
	7	6	5	4	3	2	1	0
<b>INTM3</b>	0	ELSEL7	ESEL71	ESEL70	0	ELSEL6	ESEL61	ESEL60
	R	R/W	R/W	R/W	R	R/W	R/W	R/W

The register bits ELSELn, ESELn1 and ESELn0 configure the INTPn interrupt function:

ELSELn	ESELn1	ESELn0	Function
0	0	0	falling edge
0	0	1	rising edge
0	1	0	prohibited to use
0	1	1	falling and rising edge
1	0	0	low level detection
1	0	1	high level detection
1	1	0	low level detection
1	1	1	high level detection

The NMI and INTP0 share the same pin. The register bits NMIEN, ESEL0, ESEL01 and ESEL00 configure the NMI and INTP0 interrupt function:

NMIEN	ESEL0	ESEL01	ESEL00	Function	
				NMI	INTP0
0	0	0	0	masked	falling edge
	0	0	1		rising edge
	0	1	0		prohibited
	0	1	1		both edges
	1	0	0		low level
	1	0	1		high level
	1	1	0		low level
	1	1	1		high level
1	0	0	0	falling edge	falling edge
	0	0	1	rising edge	rising edge
	0	1	0	prohibited	prohibited
	0	1	1	both edges	both edges
	1	0	0	falling edge	low level
	1	0	1	rising edge	high level
	1	1	0	prohibited	low level
	1	1	1	both edges	high level

**Caution** The NMI configuration bits INTM0.NMIEN and INTM0.ESEL0[1:0] can only be changed if INTM0.NMIEN = 0. Due to INTM0.NMIEN = 0 after reset the NMI function is disabled and must be enabled by the application software. Once enabled, the NMI function cannot be disabled by software. Specify INTM0.ESEL0[1:0] before or at the same time with setting INTM0.NMIEN = 1.

Note that INTM0.ESEL0 can be written independently of INTM0.NMIEN.



## 5.5 Software Exception

A software exception is generated when the CPU executes the TRAP instruction, and can be always acknowledged.

### 5.5.1 Operation

If a software exception occurs, the CPU performs the following processing, and transfers control to the handler routine:

- (1) Saves the restored PC to EIPC.
- (2) Saves the current PSW to EIPSW.
- (3) Writes an exception code to the lower 16 bits (EICC) of ECR (interrupt source).
- (4) Sets the EP and ID bits of the PSW.
- (5) Sets the handler address (00000040<sub>H</sub> or 00000050<sub>H</sub>) corresponding to the software exception to the PC, and transfers control.

Figure 5-10 illustrates the processing of a software exception.

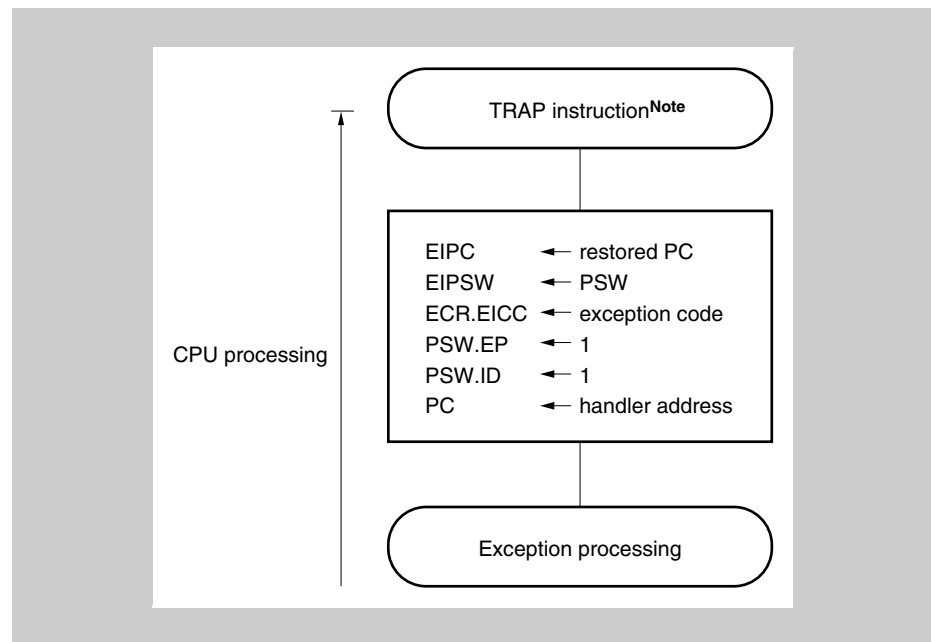


Figure 5-10 Software exception processing

**Note** TRAP Instruction Format: TRAP vector (the vector is a value from 0 to 1F<sub>H</sub>.)

The handler address is determined by the TRAP instruction's operand (vector). If the vector is 0 to 0F<sub>H</sub>, it becomes 00000040<sub>H</sub>, and if the vector is 10<sub>H</sub> to 1F<sub>H</sub>, it becomes 00000050<sub>H</sub>.

### 5.5.2 Restore

Recovery from software exception processing is carried out by the RETI instruction.

By executing the RETI instruction, the CPU carries out the following processing and shifts control to the restored PC's address.

- (1) Loads the restored PC and PSW from EIPC and EIPSW because the EP bit of the PSW is 1.
- (2) Transfers control to the address of the restored PC and PSW.

Figure 5-11 illustrates the processing of the RETI instruction.

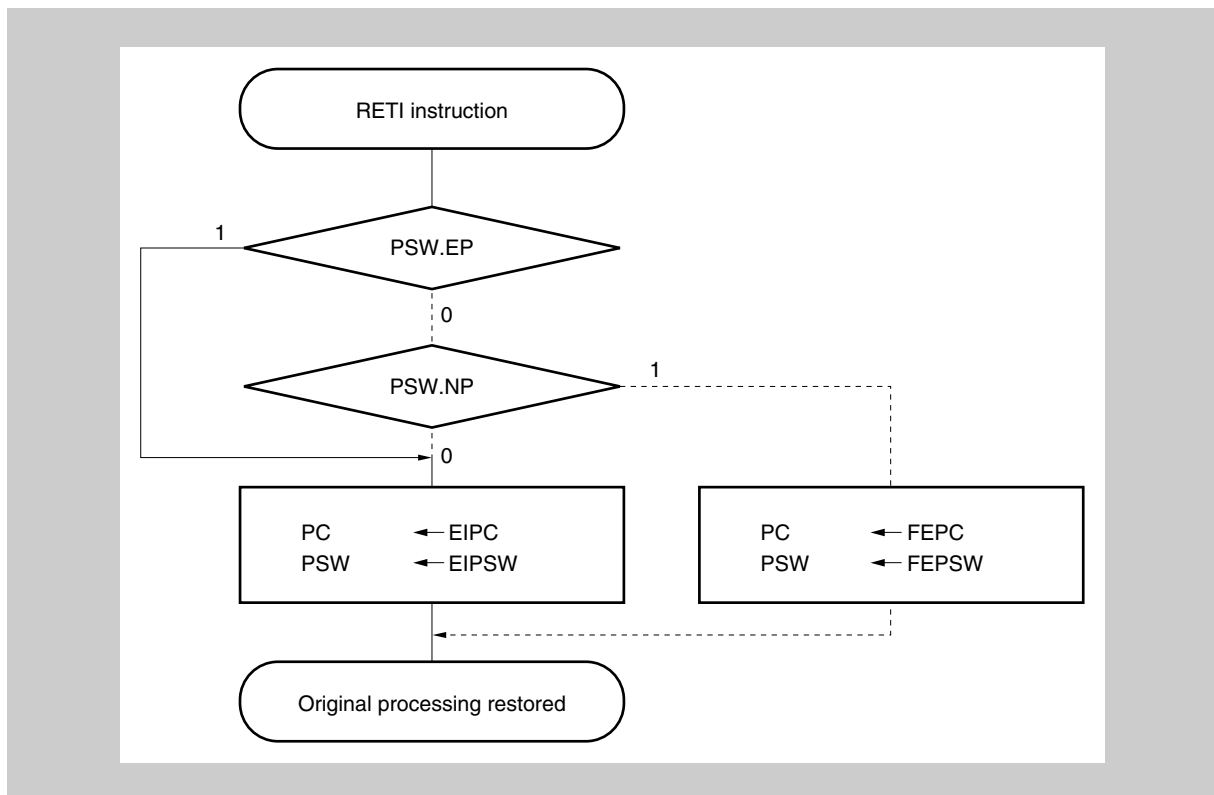


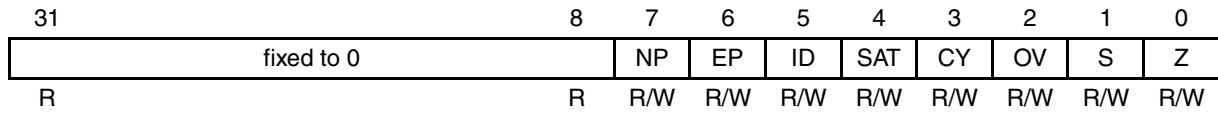
Figure 5-11 RETI instruction processing

**Caution** When the PSW.EP bit and the PSW.NP bit are changed by the LDSR instruction during the software exception processing, in order to restore the PC and PSW correctly during recovery by the RETI instruction, it is necessary to set PSW.EP back to 1 using the LDSR instruction immediately before the RETI instruction.

### 5.5.3 Exception status flag (EP)

The EP flag is bit 6 of PSW, and is a status flag used to indicate that exception processing is in progress. It is set when an exception occurs.

**Initial Value** 0000 0020<sub>H</sub>. The program status is initialized by any reset.



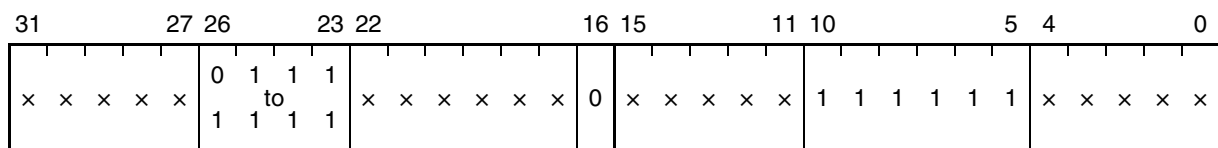
Bit position	Bit name	Function
6	EP	Shows that exception processing is in progress. 0: Exception processing not in progress. 1: Exception processing in progress.

## 5.6 Exception Trap

An exception trap is an interrupt that is requested when an illegal execution of an instruction takes place. For this microcontroller, an illegal opcode exception (ILGOP: Illegal Opcode Trap) is considered as an exception trap.

### 5.6.1 Illegal opcode definition

The illegal instruction has an opcode (bits 10 to 5) of 111111<sub>B</sub>, a sub-opcode (bits 23 to 26) of 0111<sub>B</sub> to 1111<sub>B</sub>, and a sub-opcode (bit 16) of 0<sub>B</sub>. An exception trap is generated when an instruction applicable to this illegal instruction is executed.



**Note** x: Arbitrary

#### (1) Operation

If an exception trap occurs, the CPU performs the following processing, and transfers control to the handler routine:

- (1) Saves the restored PC to DBPC.
- (2) Saves the current PSW to DBPSW.
- (3) Sets the NP, EP, and ID bits of the PSW.
- (4) Sets the handler address (00000060<sub>H</sub>) corresponding to the exception trap to the PC, and transfers control.

Figure 5-12 illustrates the processing of the exception trap.

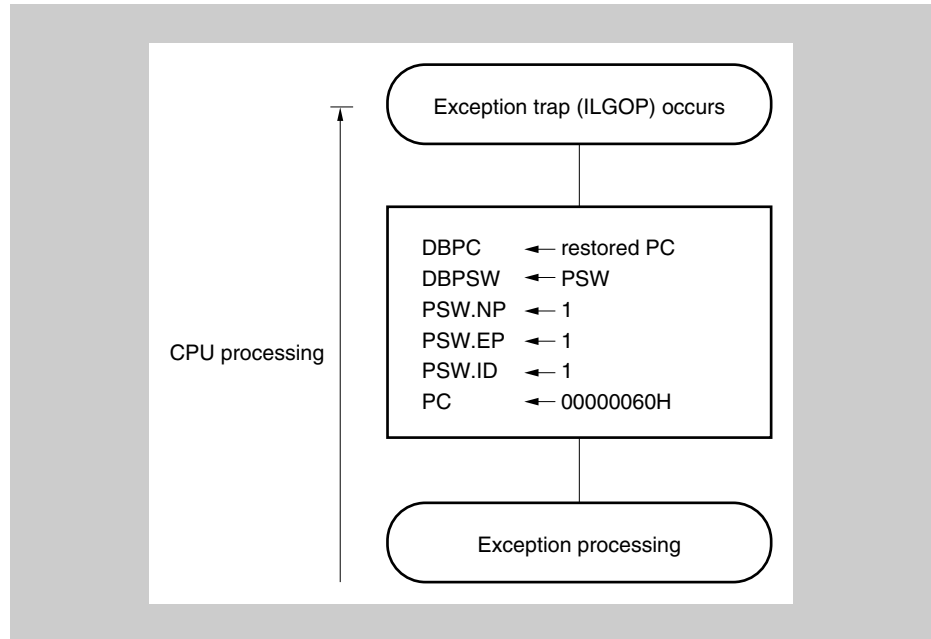


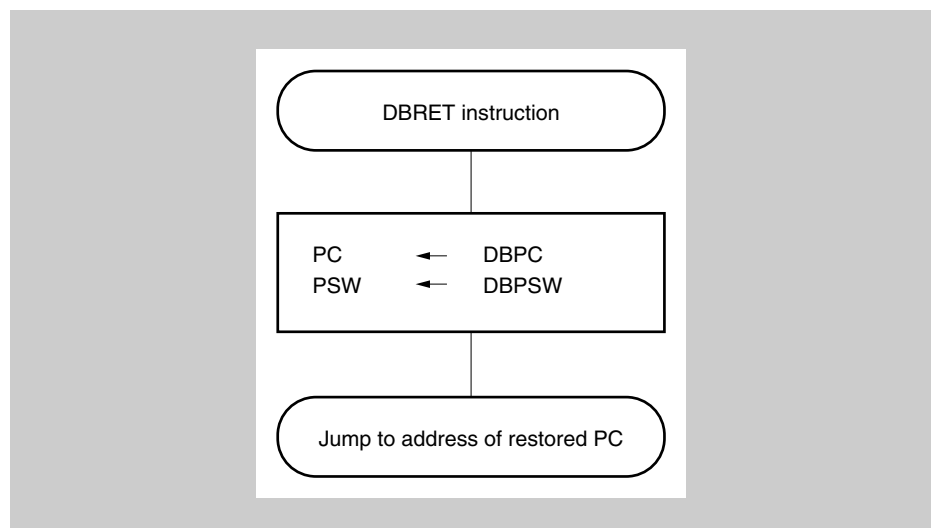
Figure 5-12 Exception trap processing

**(2) Restore**

Recovery from an exception trap is carried out by the DBRET instruction. By executing the DBRET instruction, the CPU carries out the following processing and controls the address of the restored PC.

- (1) Loads the restored PC and PSW from DBPC and DBPSW.
- (2) Transfers control to the address indicated by the restored PC and PSW.

Figure 5-13 illustrates the restore processing from an exception trap.



www.DataSheet4U.com **Figure 5-13 Restore processing from exception trap**

### 5.6.2 Debug trap

The debug trap is an exception that can be acknowledged every time and is generated by execution of the DBTRAP instruction.

When the debug trap is generated, the CPU performs the following processing.

**(1) Operation**

When the debug trap is generated, the CPU performs the following processing, transfers control to the debug monitor routine, and shifts to debug mode.

- (1) Saves the restored PC to DBPC.
- (2) Saves the current PSW to DBPSW.
- (3) Sets the NP, EP and ID bits of the PSW.
- (4) Sets the handler address (00000060<sub>H</sub>) corresponding to the debug trap to the PC and transfers control.

Figure 5-14 illustrates the processing of the debug trap.

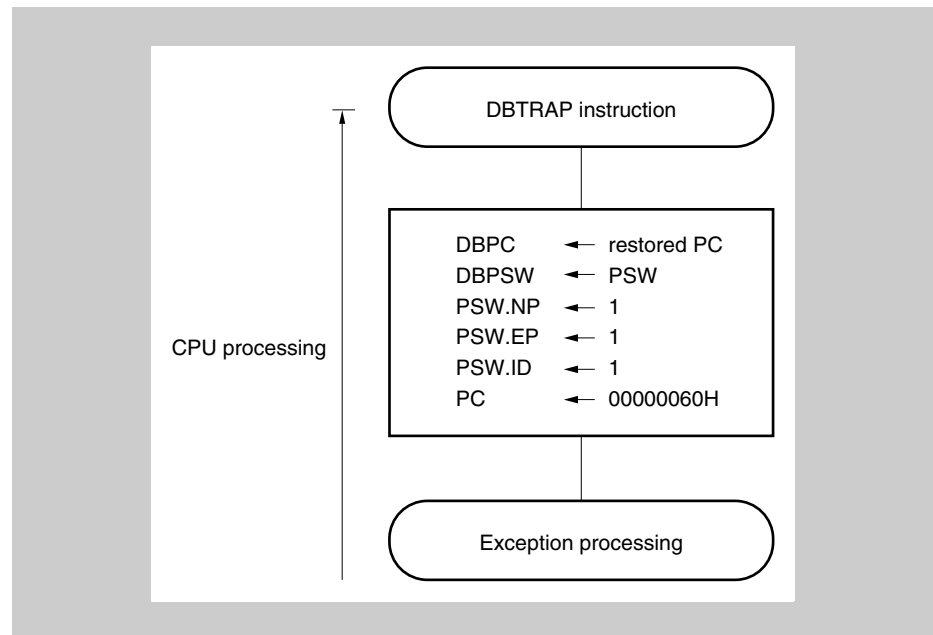


Figure 5-14 Debug trap processing

**(2) Restore**

Recovery from a debug trap is carried out by the DBRET instruction. By executing the DBRET instruction, the CPU carries out the following processing and controls the address of the restored PC.

- (1) Loads the restored PC and PSW from DBPC and DBPSW.
- (2) Transfers control to the address indicated by the restored PC and PSW.

Figure 5-15 illustrates the restore processing from a debug trap.

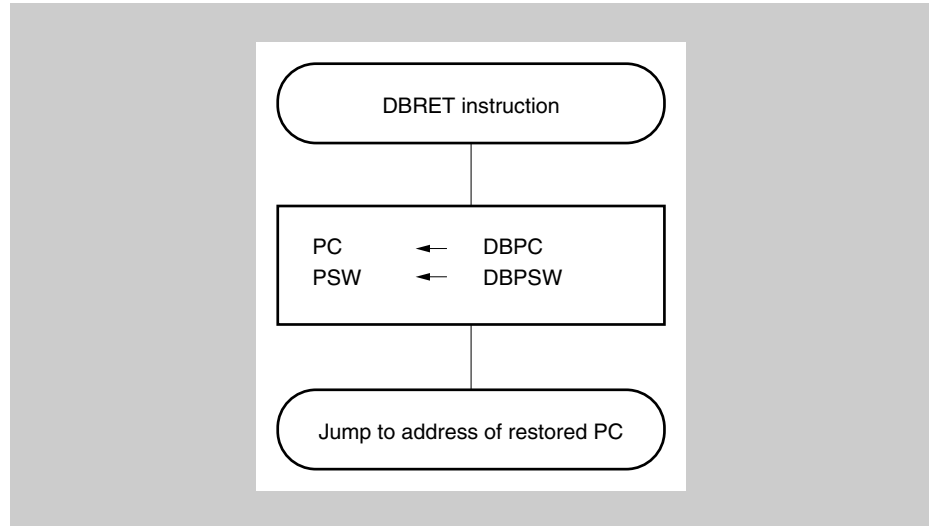


Figure 5-15 Restore processing from debug trap

## 5.7 Multiple Interrupt Processing Control

Multiple interrupt processing control is a process by which an interrupt request that is currently being processed can be interrupted during processing if there is an interrupt request with a higher priority level, and the higher priority interrupt request is received and processed first.

If there is an interrupt request with a lower priority level than the interrupt request currently being processed, that interrupt request is held pending.

Maskable interrupt multiple processing control is executed when an interrupt has an enable status (ID = 0). Thus, if multiple interrupts are executed, it is necessary to have an interrupt enable status (ID = 0) even for an interrupt processing routine.

If a maskable interrupt enable or a software exception is generated in a maskable interrupt or software exception service program, it is necessary to save EIPC and EIPSW.

This is accomplished by the following procedure.

**(1) Acknowledgment of maskable interrupts in service program**

Service program of maskable interrupt or exception

...
...
• EIPC saved to memory or register
• EIPSW saved to memory or register
• EI instruction (interrupt acknowledgment enabled)
...
...
Higher priority maskable interrupt acknowledgment
...
...
• DI instruction (interrupt acknowledgment disabled)
• Saved value restored to EIPSW
• Saved value restored to EIPC
• RETI instruction

**(2) Generation of exception in service program**

Service program of maskable interrupt or exception

...
...
• EIPC saved to memory or register
• EIPSW saved to memory or register
...
• TRAP instruction
...
TRAP/exception acknowledgment
...
...
• Saved value restored to EIPSW
• Saved value restored to EIPC
• RETI instruction

The priority order for multiple interrupt processing control has 8 levels, from 0 to 7 for each maskable interrupt request (0 is the highest priority), but it can be set as desired via software. Setting of the priority order level is done using the PPRn0 to PPRn2 bits of the interrupt control request register (PICn), which is provided for each maskable interrupt request. After system reset, an interrupt request is masked by the PMKn bit and the priority order is set to level 7 by the PPRn0 to PPRn2 bits.

The priority order of maskable interrupts is as follows.

(High) Level 0 > Level 1 > Level 2 > Level 3 > Level 4 >  
Level 5 > Level 6 > Level 7 (Low)

Interrupt processing that has been suspended as a result of multiple processing control is resumed after the processing of the higher priority interrupt has been completed and the RETI instruction has been executed.

A pending interrupt request is acknowledged after the current interrupt processing has been completed and the RETI instruction has been executed.

---

**Caution** In a non-maskable interrupt processing routine (time until the RETI instruction is executed), maskable interrupts are suspended and not acknowledged.

---

## 5.8 Interrupt Response Time

The following table describes the interrupt response time (from interrupt generation to start of interrupt processing).

Except in the following cases, the interrupt response time is a minimum of 5 clocks.

- During software or hardware STOP mode
- When an external bus is accessed
- When there are two or more successive interrupt request non-sampling instructions (see *“Periods in Which Interrupts Are Not Acknowledged”* on page 267).
- When the interrupt control register is accessed



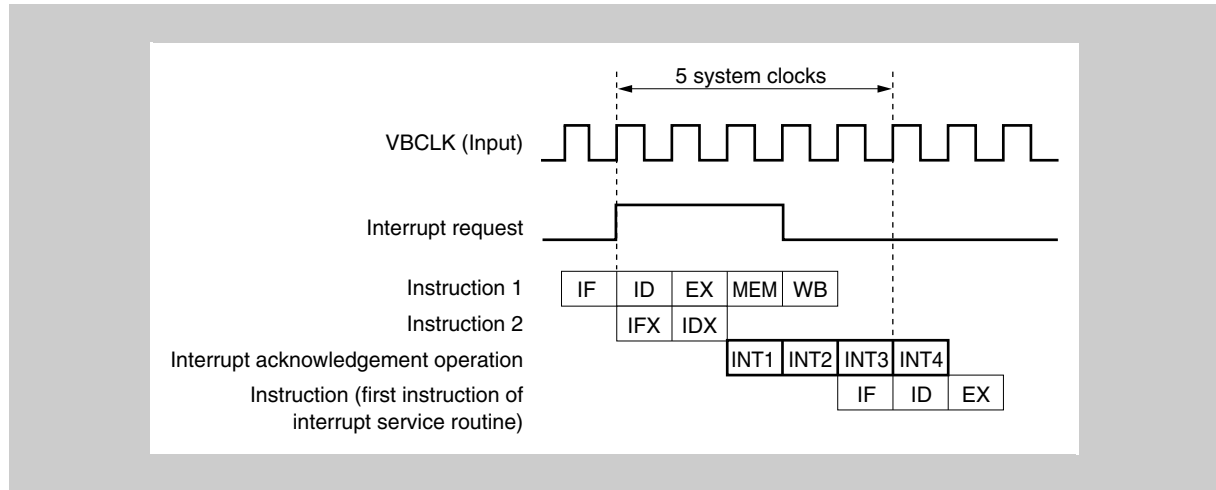


Figure 5-16 Pipeline operation at interrupt request acknowledgment (outline)

**Note** INT1 to INT4: Interrupt acknowledgement processing  
 IFx: Invalid instruction fetch  
 IDx: Invalid instruction decode

**Note** If the same interrupt occurs during the interrupt acknowledge time of 5 cycles, this new interrupt will be discarded. The next interrupt of the same source will only be registered after these 5 cycles.

Table 5-13 Interrupt response time

Interrupt response time (internal system clocks)			Condition
	Internal interrupt	External interrupt	
Minimum	5	5 + analog delay time	The following cases are exceptions: <ul style="list-style-type: none"> <li>• In IDLE/software STOP mode</li> <li>• External bit access</li> <li>• Two or more interrupt request non-sample instructions are executed</li> <li>• Access to interrupt control register</li> </ul>
Maximum	11	11 + analog delay time	

### 5.9 Periods in Which Interrupts Are Not Acknowledged

An interrupt is acknowledged while an instruction is being executed. However, no interrupt will be acknowledged between an interrupt non-sample instruction and the next instruction.

The interrupt request non-sampling instructions are as follows:

- EI instruction
- DI instruction
- LDSR reg2, 0x5 instruction (for PSW)
- The store instruction for the maskable interrupt control registers (xxIC), in-service priority register (ISPR), and command register (PRCMD).



## Chapter 6 Flash Memory

The  $\mu$ PD70F3421,  $\mu$ PD70F3422,  $\mu$ PD70F3423,  $\mu$ PD70F3424,  $\mu$ PD70F3425,  $\mu$ PD70F3426A and  $\mu$ PD70F3427 microcontrollers are equipped with internal flash memory. The flash memory is attached to the V850 Fetch Bus (VFB) interface of the V850E CPU core, or in case of more than 1 MB flash memory for the  $\mu$ PD70F3426A additionally to the V850 System Bus (VSB). It is used for program code and storage of constant data.

When fetching an instruction, 4 bytes of the VFB flash memory can be accessed in 1 clock, and 4 bytes of the VSB flash memory can be accessed in 2 clocks.

The flash memory can be written mounted on the target board (on-board write), by connecting a dedicated flash programmer to the target system.

Flash memory is commonly used in the following development environments and applications:

- For altering software after solder-mounting of the microcontroller on the target system.
- For differentiating software in small-scale production of various models.
- For data adjustment when starting mass production.

## 6.1 Overview

- Features summary**
- Internal VFB flash memory:
    - $\mu$ PD70F3427,  $\mu$ PD70F3426A,  $\mu$ PD70F3425: 1 MB
    - $\mu$ PD70F3424,  $\mu$ PD70F3423: 512 KB
    - $\mu$ PD70F3422: 384 KB
    - $\mu$ PD70F3421: 256 KB
  - Internal VSB flash memory:
    - $\mu$ PD70F3426A: 1 MB
  - $\mu$ PD70F3427,  $\mu$ PD70F3425,  $\mu$ PD70F3424 operation speed:
    - up to 67.2 MHz by 2-way interleaved access
    - 4-byte/1 CPU clock cycle access for consecutive instruction fetches
    - 4-byte/4 CPU clock cycles access for random instruction and data fetches
  - $\mu$ PD70F3426A operation speed :
    - up to 67.2 MHz by 2-way interleaved access

Internal VFB flash memory:

    - 4-byte/1 CPU clock cycle access for consecutive instruction fetches
    - 4-byte/4 CPU clock cycles access for random instruction and data fetches

Internal VSB flash memory:

    - 4-byte/2 CPU clock cycle access for consecutive instruction fetches
    - 4-byte/5 CPU clock cycles access for random instruction and data fetches
  - $\mu$ PD70F3423,  $\mu$ PD70F3422,  $\mu$ PD70F3421 operation speed:
    - up to 25.2 MHz by 2-way interleaved access
    - 4-byte/1 CPU clock cycle access for consecutive instruction fetches
    - 4-byte/3 CPU clock cycles access for random instruction and data fetches
  - All-blocks batch erase or single block erase
  - Erase/write with single power supply
  - Communication with dedicated flash programmer via various serial interfaces
  - On-board and off-board programming
  - Flash memory programming by self-programming

### 6.1.1 Flash memory address assignment

The 1 MB VFB flash memory of  $\mu$ PD70F3427,  $\mu$ PD70F3426A, and  $\mu$ PD70F3425 is made up of 256 blocks. *Figure 6-1* shows the address assignment of the flash memory blocks.

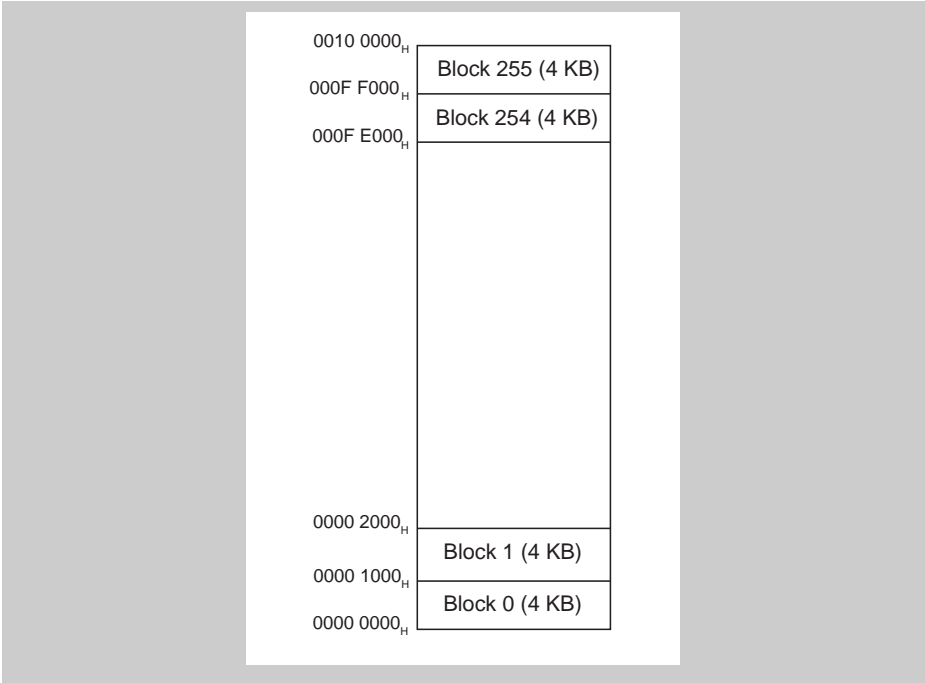
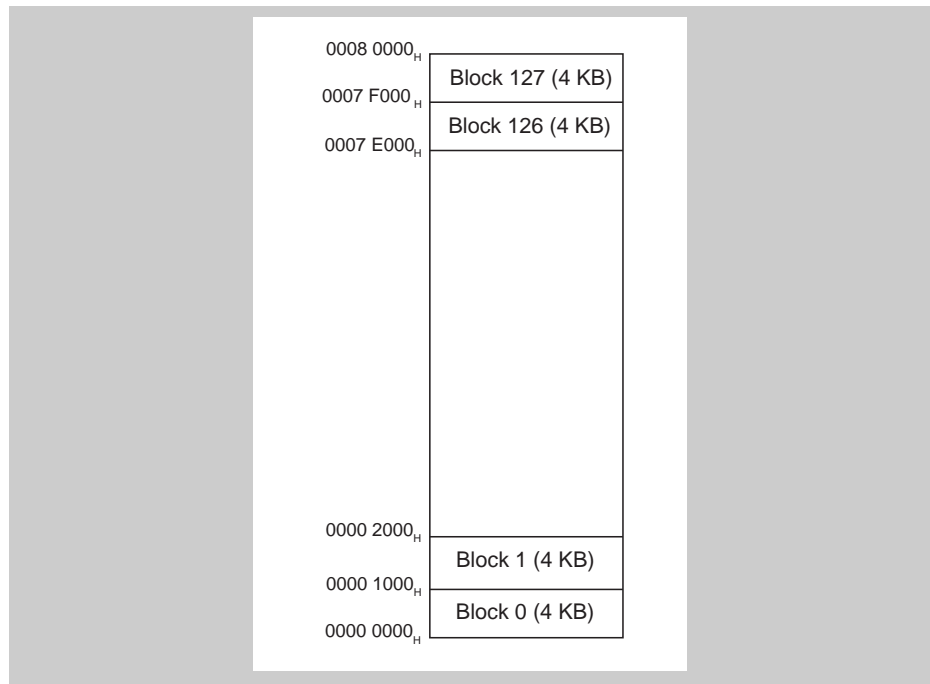


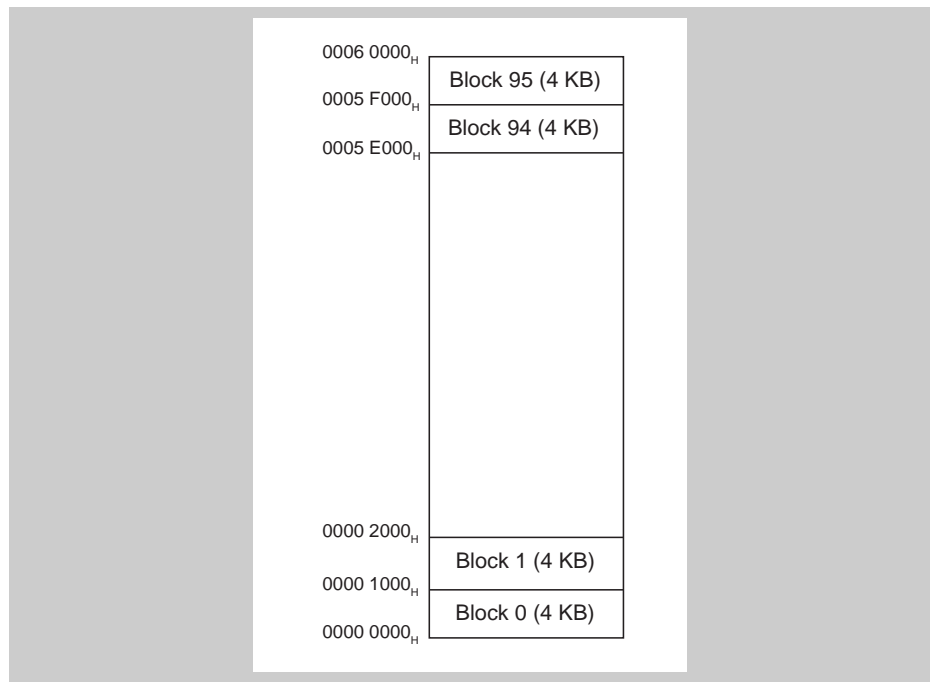
Figure 6-1 Address assignment of  $\mu$ PD70F3427,  $\mu$ PD70F3426A, and  $\mu$ PD70F3425 flash memory blocks

The 512 KB flash memory of  $\mu$ PD70F3424, and  $\mu$ PD70F3423 is made up of 128 blocks. *Figure 6-2* shows the address assignment of the flash memory blocks.



**Figure 6-2** Address assignment of  $\mu$ PD70F3424, and  $\mu$ PD70F3423 flash memory blocks

The 384 KB flash memory of  $\mu$ PD70F3422 is made up of 96 blocks. *Figure 6-3* shows the address assignment of the flash memory blocks.



**Figure 6-3** Address assignment of  $\mu$ PD70F3422 flash memory blocks

The 256 KB flash memory of  $\mu$ PD70F3421 is made up of 64 blocks. *Figure 6-4* shows the address assignment of the flash memory blocks.

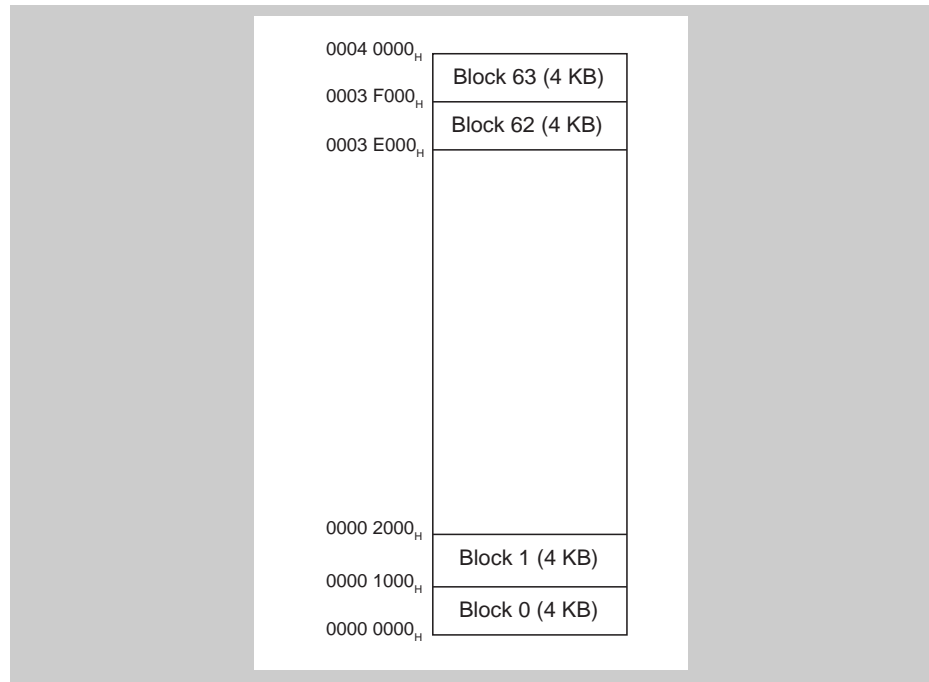


Figure 6-4 Address assignment of  $\mu$ PD70F3421 flash memory blocks

## 6.1.2 Flash memory erasure and rewrite

The following functions can be carried out by use of the flash memory self-programming library.

### (1) Flash memory erasure

According to its block structure the flash memory can be erased in two different modes.

- All-blocks batch erasure  
Following areas can be erased all together:
  - $\mu$ PD70F3427,  $\mu$ PD70F3426A,  $\mu$ PD70F3425: 0000 0000<sub>H</sub> to 000F FFFF<sub>H</sub>
  - $\mu$ PD70F3424,  $\mu$ PD70F3423: 0000 0000<sub>H</sub> to 0007 FFFF<sub>H</sub>
  - $\mu$ PD70F3422: 0000 0000<sub>H</sub> to 0005 FFFF<sub>H</sub>
  - $\mu$ PD70F3421: 0000 0000<sub>H</sub> to 0003 FFFF<sub>H</sub>
- Block erasure  
Each 4 KB flash memory block can be erased separately.

### (2) Flash memory rewrite

Once a complete block has been erased it can be rewritten in units of 8 byte. Each unit can be rewritten only once after erasure of the complete block.

### 6.1.3 Flash memory programming

The internal flash memory can be programmed in three different ways:

- Programming via self-programming
- Programming via N-Wire interface
- Programming with external flash programmer

While the self-programming mode can be initiated from the normal operation mode the external flash programmer mode is entered immediately after release of a system reset. Refer to “*Operation Modes*“ on page 125 for details on how to enter normal operation or external flash programming mode.

### 6.1.4 Boot block swapping

The microcontrollers with flash memory support secure boot block swapping. This will swap two 32 KB blocks at the bottom end (starting from address 0000 0000<sub>H</sub>) of the Flash Memory. The block size is fixed and can not be changed.

For comprehensive information concerning secure boot block swapping refer to the application note “Self-Programming” (document nr. U16929EE), which explains also the functions of the self-programming library. The latest version of this document can be loaded via the URL

<http://www.eu.necel.com/updates>



## 6.2 Flash Self-Programming

The internal flash memory can be programmed via the secure self-programming facility. This feature enables the user's application to re-program the flash memory. The self-programming functions are part of the internal firmware, which resides in an extra internal ROM. The user's application can call the self-programming functions via the self-programming library, provided by NEC.

---

**Caution** During self-programming make sure to disable all ROM correction facilities, as enabled ROM corrections may conflict with the internal firmware.

---

**Start of self-programming** The self-programming functions can be started out of the normal user mode of the microcontroller.

Self-programming must be in particular enabled in order to avoid unintended re-programming of the flash. Two ways to enable self-programming are provided:

- by setting the external FLMD0 pin to high level  
This requires some external components or wiring, e.g. connecting an output port to FLMD0.
- by setting an internal register bit  
This way does not need any special external components or wiring.

The following registers are used to enable self-programming internally by software.

### 6.2.1 Flash self-programming registers

For safety reasons flash self-programming needs to be explicitly enabled by use of two registers:

**Table 6-1** Flash self-programming enable register overview

Register name	Shortcut	Address
Self-programming enable control register	SELFEN	FFFF FCA0 <sub>H</sub>
Self-programming enable protection register	SELFENP	FFFF FCA8 <sub>H</sub>

**(1) SELFEN - Self-programming enable control register**

The 8-bit SELFEN register enables the self-programming functions by software. It is an internal substitute to enabling self-programming by rising the FLMD0 pin to high level.

**Access** This registers can be read/written in 8-bit or 1-bit units.

Writing to this register is protected by a special sequence of instructions. Please refer to “*SELFENP - Self-programming enable protection register*” on page 276 for details.

**Address** FFFF FCA0<sub>H</sub>

**Initial Value** 00<sub>H</sub>. This register is cleared by any reset.

7	6	5	4	3	2	1	0
0	0	0	0	0	0	0	FLEN
R	R	R	R	R	R	R	R/W

Bit position	Bit name	Function
0	FLEN	Enable self-programming 0: Flash write/erase function is controlled by the FLMD0 pin 1: Flash write/erase function is enabled

**(2) SELFENP - Self-programming enable protection register**

The 8-bit SELFENP register protects the register SELFEN from inadvertent write access, so that the system does not stop in case of a program hang-up.

After data has been written to the SELFENP register, the first write access to register SELFEN is valid. All subsequent write accesses are ignored. Thus, the value of SELFEN can only be rewritten in a specified sequence, and illegal write access is inhibited.

**Access** This registers can be written in 8-bit units.

**Address** FFFF FCA8<sub>H</sub>

**Initial Value** The contents of this register is undefined.

7	6	5	4	3	2	1	0
X	X	X	X	X	X	X	X
W	W	W	W	W	W	W	W

**Caution** In case a high level programming language is used, make sure that the compiler translates the two write instructions to SELFENP and SELFEN into two consecutive assembler “store” instructions.

## 6.2.2 Interrupt handling during flash self-programming

This microcontroller provides functions to maintain interrupt servicing during the self-programming procedure.

It is recommended to refer to the application note “Self-Programming” (document nr. U16929EE) for comprehensive information concerning flash self-programming, which explains also the functions of the self-programming library. The latest version of this document can be loaded via the URL

<http://www.ee.nec.de/updates>

Since neither the interrupt vector table nor the interrupt handler routines, which are normally located in the flash memory, are accessible during self-programming, interrupt acknowledges have to be re-routed to non-flash memory, i.e. to the internal RAM or - for  $\mu$ PD70F3427 only - to the external memory.

Therefore two prerequisites are necessary to enable interrupt servicing during self-programming:

- The concerned interrupt handler routine needs to be copied to the internal RAM, respectively external memory.
- The concerned interrupt acknowledge has to be re-routed to that handler.

The internal firmware and the self-programming library provide functions to initialize and process such interrupts.

The interrupt handler routines can be copied from flash to the internal RAM, respectively external memory, by use of the SelfLib\_UsrIntToRam self-programming library function.

The addresses of the interrupt handler routines are set up via the SelfLib\_RegisterInt self-programming library function.

- Note**
1. Note that this special interrupt handling adds some interrupt latency time.
  2. Special interrupt handling is done only during the flash programming environment is activated. If self-programming is deactivated, the normal interrupt vector table in the flash memory is used.

All interrupt vectors are relocated to one entry point in the internal RAM:

- New entry point of *all* maskable interrupts is the 1st address of the internal RAM. A handler routine must check the interrupt source. The interrupt request source can be identified via the interrupt/exception source register ECR.EICC (refer to “System register set” on page 118)
- New entry point of *all* non maskable interrupts is the word address following the maskable interrupt entry, i.e. the second address of the internal RAM. The interrupt request source can be identified via the interrupt/exception source register ECR.FECC (refer to “System register set” on page 118).

In general a jump to a special handler routine will be placed at the 1st and 2nd internal RAM address, which identifies the interrupt sources and branches to the correct interrupt service routine.

The function serving the interrupt needs to be compiled as an interrupt function (i.e. terminate with a RETI instruction, save/restore all used registers, etc.).

### 6.3 Flash Programming via N-Wire

The microcontroller's flash memory is programmable via the N-Wire debug interface.

Programming of the flash memory can be performed by the debug tool running on the host machine.

---

**Caution** Programming the flash memory during debug sessions by the debug tool adds to the performed number of write/erase cycles of the flash memory.

Thus devices used for debugging shall not be used for mass production purposes afterwards.

---

## 6.4 Flash Programming with Flash Programmer

A dedicated flash programmer can be used for on-board or off-board writing of the flash memory.

### (1) On-board programming

The contents of the flash memory can be rewritten with the microcontroller mounted on the target system. Mount a connector that connects the flash programmer on the target system.

A CSI or a UART interface can optionally be used for the communication between the external flash programmer and the V850 microcontroller.

All signals, including clock and power supply, can be provided by the external flash programmer. However, an on-board clock to the X1 input may be used instead of the clock, provided by the flash programmer.

### (2) Off-board programming

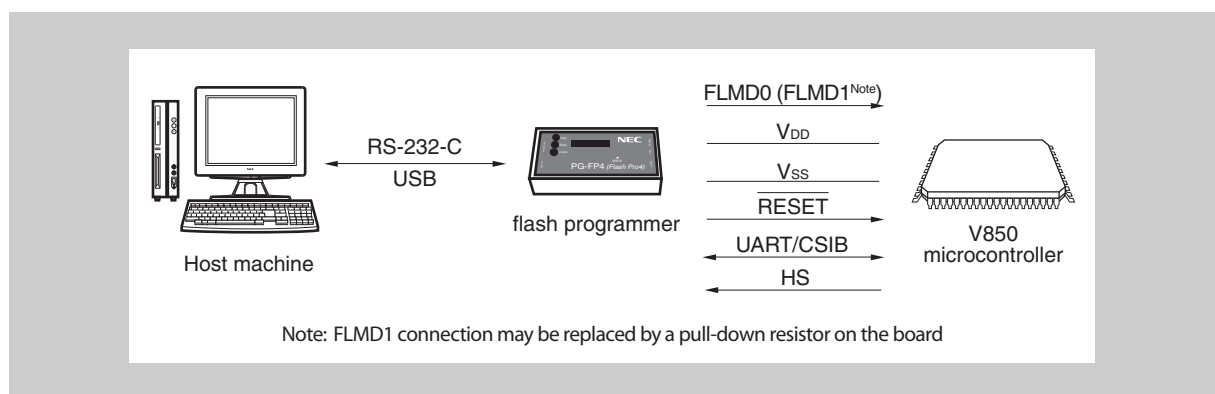
The flash memory of the microcontroller can be written before the device is mounted on the target system, by using a dedicated program adapter (FA series).

All signals, including clock and power supply, are provided by the external flash programmer.

**Note** The FA series is a product of Naito Densai Machida Mfg. Co., Ltd.

### 6.4.1 Programming environment

The necessary environment to write a program to the flash memory of the microcontroller is shown below.



**Figure 6-5 Environment to write program to flash memory**

A host machine is required for controlling the flash programmer.

Following microcontroller serial interfaces can be used as the interface between the flash programmer and the microcontroller:

- asynchronous serial interface UART
- clocked serial interface CSIB

If the CSIB interface is used with handshake, the flash programmer's HS signal is connected to a certain V850 port. The port used as the handshake port is given in *Table 6-2*.

Flash memory programming off-board requires a dedicated program adapter.

UARTA0 or CSIB0 is used as the interface between the flash programmer and the microcontroller. Flash memory programming off-board requires a dedicated program adapter (FA series).

## 6.4.2 Communication mode

The communication between the flash programmer and the microcontroller utilizes the Asynchronous Serial Interface UARTA0 or the synchronous serial interface CSIB0.

For programming via the synchronous serial interface CSIB0 without handshake and with handshake modes are supported. In the latter mode the port pin P84 is used for the programmer's handshake signal HS.

### (1) UARTA0

Transfer rate: 4.800 to 153.600 bps

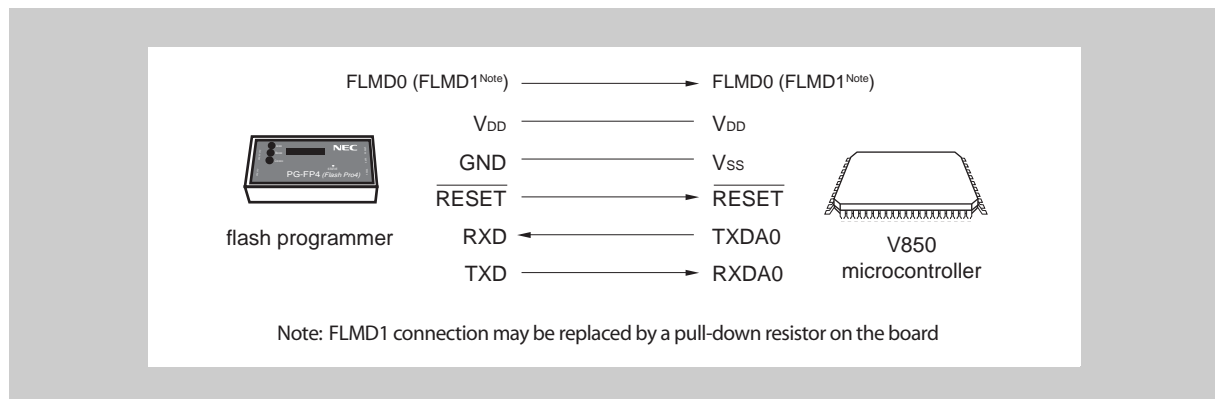
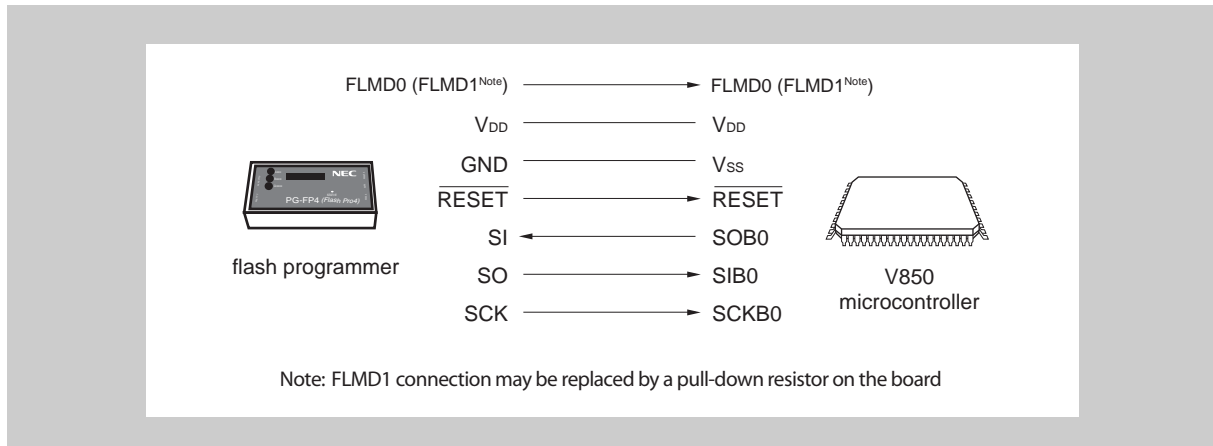


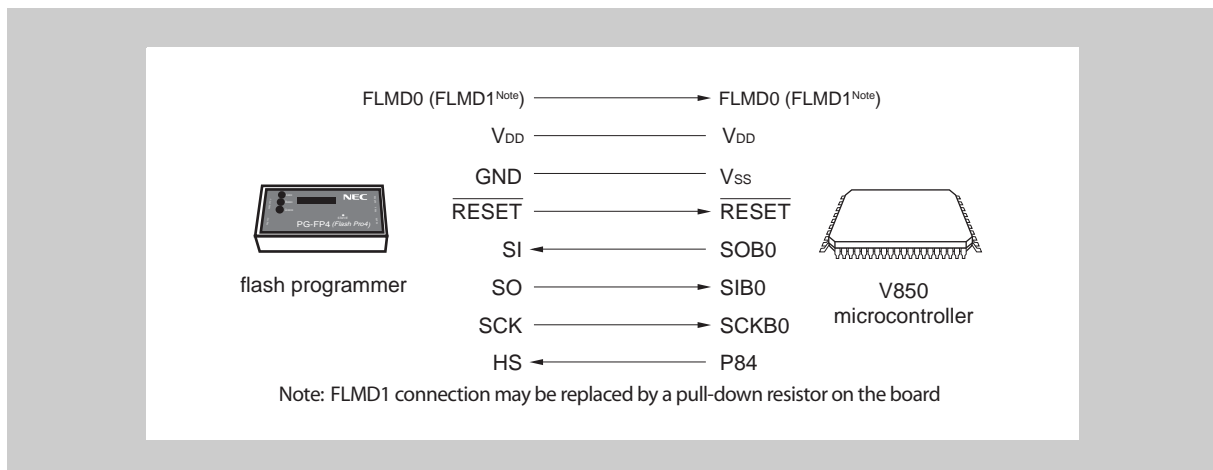
Figure 6-6 Communication with flash programmer via UARTA0

**(2) CSIB0 without handshake**

Serial clock: up to 2.5 MHz (MSB first)

**Figure 6-7** Communication with flash programmer via CSIB0 without handshake**(3) CSIB0 with handshake (CSIB0 + HS)**

Serial clock: Up to 2.5 MHz (MSB first)

**Figure 6-8** Communication with flash programmer via CSIB0 with handshake

The flash programmer outputs a transfer clock and the microcontroller operates as a slave.

If the PG-FP4 is used as the flash programmer, it generates the following signals for the microcontroller. For details, refer to the PG-FP4 User's Manual (U15260E).

Table 6-2 Signals generated by flash programmer PG-FP4

PG-FP4			Controller	Connection		
Signal name	I/O	Pin function	Pin name	UARTA0	CSIB0	CSIB0 + HS
FLMD0	Output	Write enable/disable, mode setting	FLMD0	○	○	○
FLMD1	Output	Mode setting	FLMD1	×	×	×
V <sub>DD</sub>	I/O	V <sub>DD</sub> voltage generation/voltage monitor	V <sub>DD</sub>	○	○	○
GND	–	Ground	V <sub>SS</sub>	○	○	○
CLK	Output	Clock output to the controller	X1	×	×	×
$\overline{\text{RESET}}$	Output	Reset signal	$\overline{\text{RESET}}$	○	○	○
SI/RxD	Input	Receive signal	SOB0/ TXDA0	○	○	○
SO/TxD	Output	Transmit signal	SIB0/RXDA0	○	○	○
SCK	Output	Transfer clock	SCKB0	×	○	○
HS	Input	Handshake signal for CSIB0 + HS communication	P84	×	×	○

**Note** ○: must be connected  
 ×: does not need to be connected



### 6.4.3 Pin connection

A connector must be mounted on the target system to connect the flash programmer for on-board writing. In addition, a function to switch between the normal operation mode and flash memory programming mode must be provided on the board.

When the flash memory programming mode is set, all the pins not used for flash memory programming are in the same status as immediately after reset.

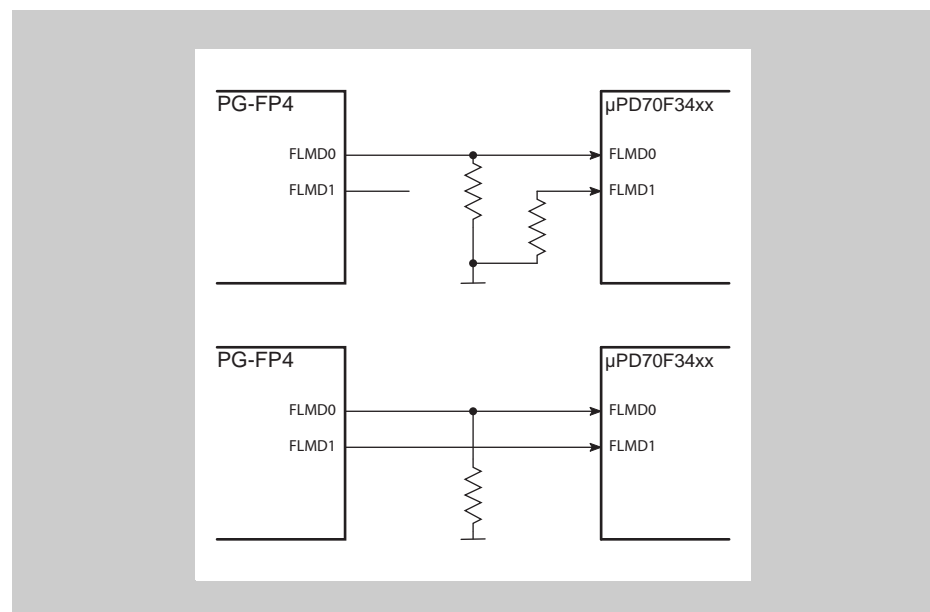
#### (1) Connection to flash programmer

In the normal operation mode, 0 V is input to the FLMD0 pin. The pull-down resistor at the FLMD0 pin ensures normal operation mode if no flash programmer is connected. In the flash memory programming mode, the  $V_{DD}$  write voltage is supplied to the FLMD0 pin. Additionally the FLMD1 pin, shared with port P07, has to hold 0 V level.

An example of connection of the FLMD0 and FLMD1 pins is shown below. Alternatively the FLMD1 pin may also be connected directly to the FLMD1 signal of the flash programmer.

Table 6-3 Operation mode settings

Pins		Operation mode
FLMD0	FLMD1 (P07)	
0	X	Normal operation mode (fetch from flash)
1	0	Flash programming mode
	1	Setting prohibited



www.DataSheet4U.com

Figure 6-9 Example of connection to flash programmer PG-FP4 in CSI and UART mode

**(2) Serial interface pins**

The pins used by each serial interface are shown in the table below.

**Table 6-4 Pins used by each serial interface**

Serial interface	Pins
UARTA0	TXDA0, RXDA0 at pins P30/P31
CSIB0	SOB0, SIB0, SCKB0 at pins P40 - P42
CSIB0 + HS	SOB0, SIB0, SCKB0, P84

In flash programming mode the output drive strength control of the pins TXDA0, SOB0 and P84 is disabled. By this means the port pins provide maximum driver capability in order to maximize the transmission data rate to the flash programmer.

- Caution**
1. Since the output drive strength control of the pins TXDA0, SOB0 and P84 is disabled during programming these pins are not short-circuit proof any more. Short circuits at these pins may permanently damage the device.
  2. If other devices are connected to the serial interface pins in use for flash memory programming in on-board programming mode take care that the concerned signals do not conflict with the signals of the flash programmer and the microcontroller. Output pins of the other devices must be isolated or set in high impedance state. Ensure that the other devices do not malfunction because of flash programmer signals.
  3. Pay attention in particular if the flash programmer's  $\overline{\text{RESET}}$  signal is connected also to an on-board reset generation circuit. The reset output of the reset generator may ruin the flash programming process and may need to be isolated.
  4. All the port pins, including the pin connected to the flash programmer, go into an output high-impedance state in the flash memory programming mode. If there is a problem such as that an external device connected to a port prohibits the output high-impedance state, connect the port to  $V_{DD}$  or  $V_{SS}$  via a resistor.
  5. Connect all oscillator pins in the same way as in the normal operation mode.
  6. Supply the same power to all power supply pins, including reference voltages, power regulator pins, etc., as in the normal operation mode.

### 6.4.4 Programming method

In the following the flash programming flow is described, if the CSI or the UART is used as the communication interface.

#### (1) Flash memory control

The procedure to manipulate the flash memory is illustrated below.

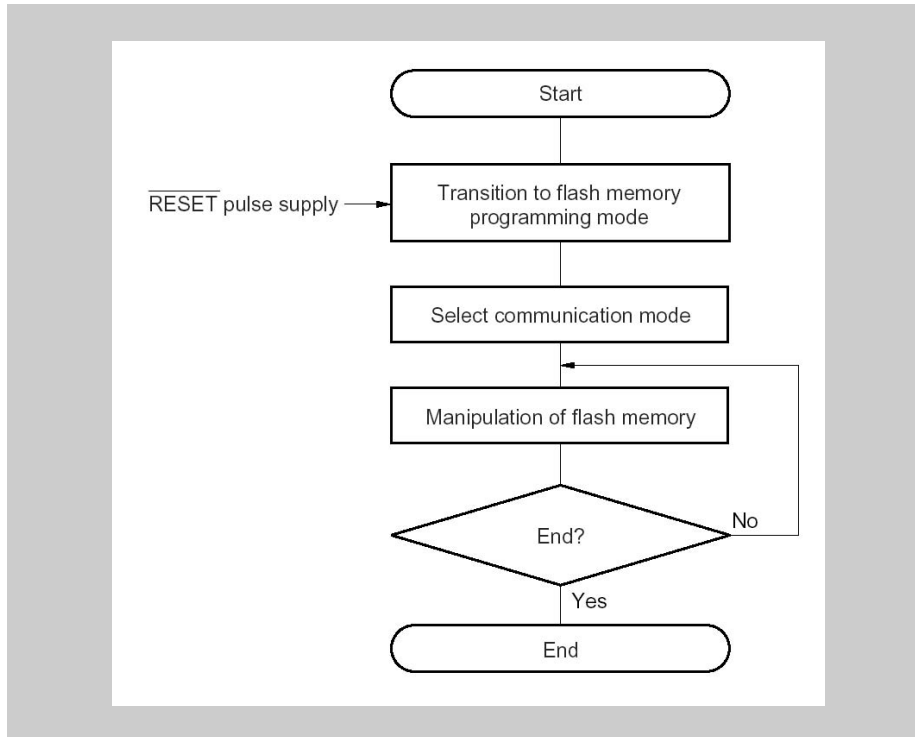


Figure 6-10 Flash memory manipulation procedure

#### (2) Flash memory programming mode

To rewrite the contents of the flash memory by using the flash programmer, set the microcontroller in the flash memory programming mode.

To set this mode, set the FLMD0 and FLMD1 pins as shown in *Table 6-6* and release  $\overline{\text{RESET}}$ .

The communication interface is chosen by applying a specified number of pulses to the MODE pin after reset release. Note that this is handled by the flash programmer.

*Figure 6-11* gives an example how the UARTA0 is established for the communication between the flash programmer and the microcontroller.

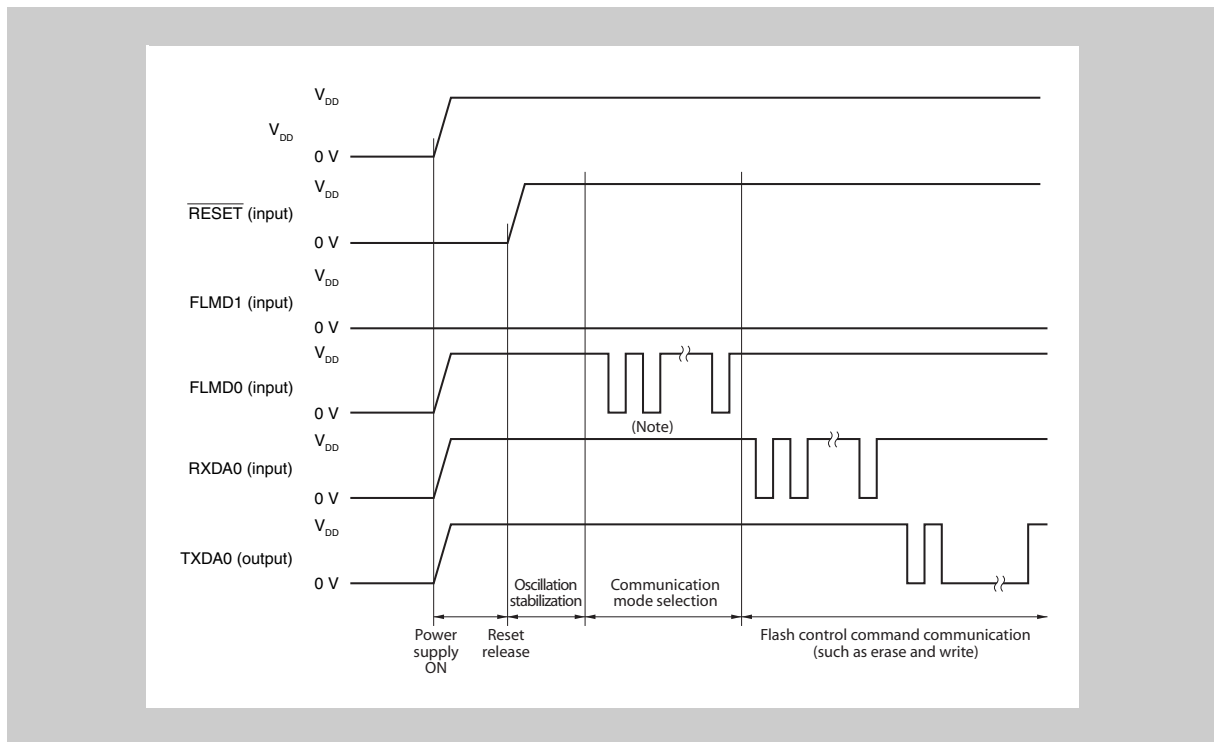


Figure 6-11 Flash memory programming mode start-up

**Note** The number of clocks to be inserted differs depending on the chosen communication mode. For details, refer to *Table 6-5*.

**(3) Selecting communication mode**

The communication mode is selected by applying a specified number of pulses to the MODE pin after the flash memory programming mode is set. These MODE pulses are generated by the flash programmer.

The relationship between the number of pulses and the communication mode is shown in the table below.

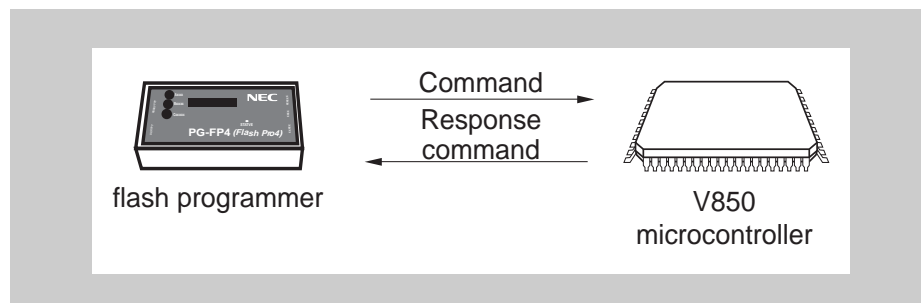
Table 6-5 Communication modes

MODE pulses	Communication mode	Remark
0	UARTA0	Communication rate: 9,600 bps (after reset), LSB first
8	CSIB0	microcontroller operates as slave, MSB first
11	CSIB0 + HS	microcontroller operates as slave, MSB first
Others	-	Setting prohibited

**Note** When UARTA0 is selected, the receive clock is calculated based on the reset command that is sent from the flash programmer after reception of the MODE pulses.

**(4) Communication commands**

The microcontroller communicates with the flash programmer via commands. The commands sent to the microcontroller are called commands, and the response signals sent by the microcontroller to the flash programmer are called response commands.



**Figure 6-12** Communication commands

The following table lists the flash memory control commands of the microcontroller. All these commands are issued by the flash programmer, and the microcontroller performs the corresponding processing.

**Table 6-6** Flash memory control commands

Classification	Command name	Support			Function
		CSIB	CSIB + HS	UARTA	
Blank check	Block blank check command	√	√	√	Checks erasure status of entire memory.
Erase	Chip erase command	√	√	√	Erase all memory contents including area that holds security flags, reset vector and other flash options
	Block erase command	√	√	√	Erases memory contents of specified block.
Write	Write command	√	√	√	Writes data by specifying write address and number of bytes to be written, and executes verify check.
Verify	Verify command	√	√	√	Compares input data with all memory contents.
Read	Read command	√	√	√	Read flash memory contents
System setting and control	Reset command	√	√	√	Escapes from each status.
	Oscillation frequency setting command	√	√	√	Sets oscillation frequency.
	Baud rate setting command	—	—	√	Sets baud rate when UART is used.
	Silicon signature command	√	√	√	Reads silicon signature information.
	Version acquisition command	√	√	√	Reads version information of device.
	Status command	√	√	—	Acquires operation status.
	Security setting command	√	√	√	Sets security of chip erasure, block erasure, and writing.

The microcontroller returns a response command to the command issued by the flash programmer. The response commands sent by the microcontroller are listed below.

**Table 6-7 Response commands**

<b>Response command name</b>	<b>Function</b>
ACK	Acknowledges command/data.
NAK	Acknowledges illegal command/data.

# Chapter 7 Bus and Memory Control (BCU, MEMC)

Besides providing access to on-chip peripheral I/Os, the  $\mu$ PD70F3427 microcontroller device supports access to external memory devices (such as external ROM and RAM) and external I/O. The Bus Control Unit BCU and Memory Controller MEMC control the access to on-chip peripheral I/Os and to external devices.

Since the BCU controls access to the on-chip peripherals, the registers BPC and VSWC have to be set up correctly for all devices.

**Note** Throughout this chapter, the individual chip select areas are identified by “k” ( $k = 0$  to  $7$ ), for example  $\overline{CS}_k$  for the chip select signal  $k$  or BEC.BEk0 for setting the endian format of chip select area  $k$ .

## 7.1 Overview

The following external devices can be connected to the microcontroller device:

- SRAM / RAM
- ROM
- External I/O

**Features summary** The bus and memory control of the microcontroller device provides:

- 24 address signals (A0 to A23)
- Selectable data bus width for each chip select area (8 bits, 16 bits and 32 bits)
- 4 chip select signals externally available ( $\overline{CS}_0$ ,  $\overline{CS}_1$ ,  $\overline{CS}_3$  and  $\overline{CS}_4$ )
- Access to memory takes a minimum of two CPU clock cycles
- Up to 3 address setup wait states can be inserted for each chip select area
- Up to 7 data wait states can be inserted for each chip select area (programmable wait)
- External data wait function through  $\overline{WAIT}$  pin
- Up to 3 idle states can be inserted for each chip select area
- Up to 2 write strobe delay cycles can be inserted
- Direct Memory Access (DMA) support
- External bus mute function

- Page ROM controller
  - Direct connection to 8-bit/16-bit/32-bit page ROM supported
  - Page ROM controller handles page widths from 8 to 128 bytes
  - On-page judgement function
  - Masking addresses can be changed by register setting
  - Register for controlling the programmable wait during page access
  - Supported page access depends on data bus width:

Data bus width	Supported page access
32 bit	2/4/8/16/32 x 32 bits
16 bit	4/8/16/32/64 x 16 bits
8 bit	8/16/32/64/128 x 8 bits

## 7.2 Description

The figure below shows a block diagram of the modules that are necessary for accessing on-chip peripherals, external memory, or external I/O.

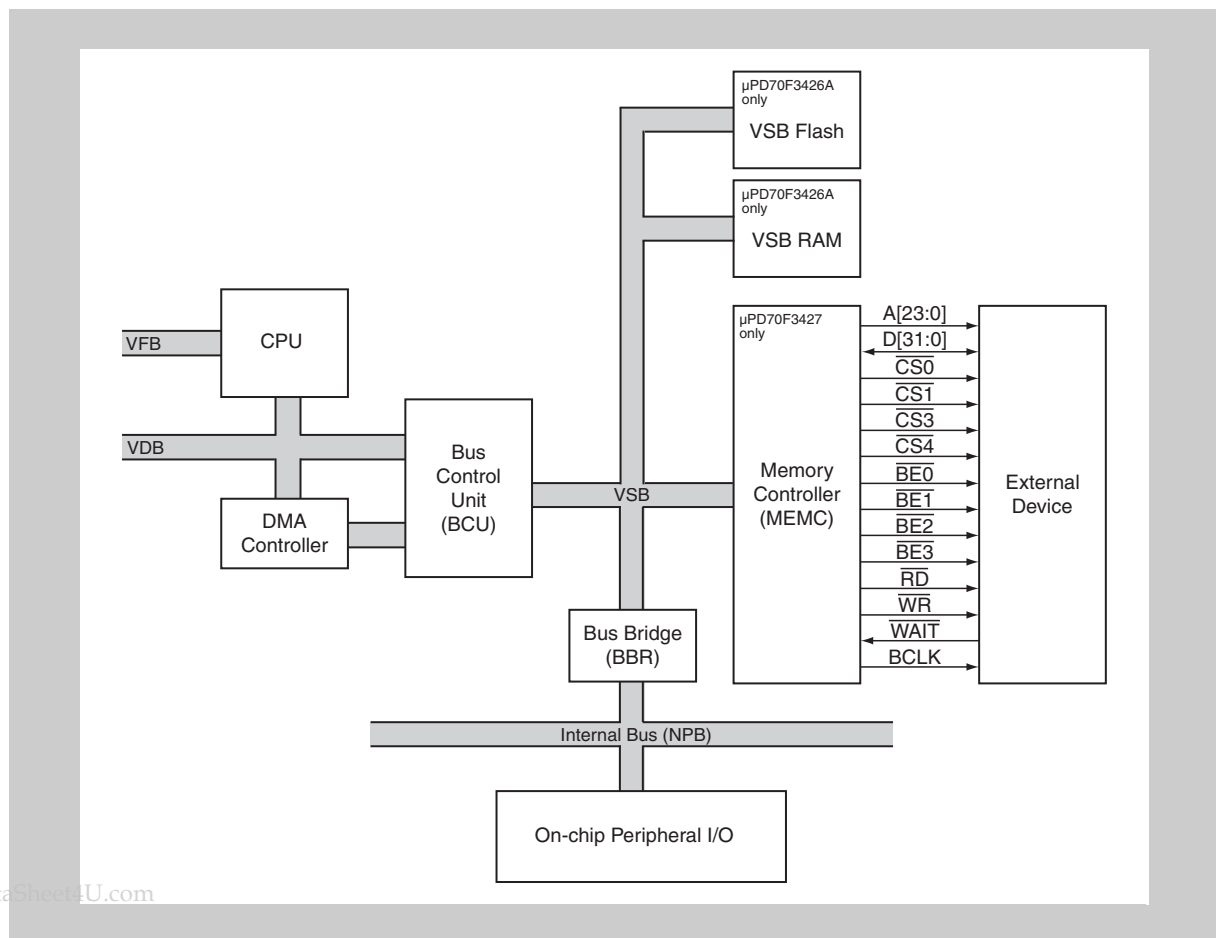


Figure 7-1 Block diagram of Bus and Memory Controller

**Busses** The busses are abbreviated as follows:

- NPB: NEC peripheral bus



- VSB: V850 system bus
- VDB: V850 data bus
- VFB: V850 fetch bus

**BCU** The Bus Control Unit (BCU) controls the access to on-chip peripherals, to external memory controller (MEMC), the VSB RAM and VSB Flash of the  $\mu$ PD70F3426A device.

For access to external devices, the BCU generates the necessary control signals (chip select signals) for the Memory Controller.

**Memory Controller** The 64 MB address range is divided into 2-MB, 4-MB and 8-MB memory banks. Each of the memory banks can be assigned to an external device via the chip area select control registers CSC0 and CSC1.

If an instruction uses such an address, a chip select signal is generated. The device supports four chip select signals ( $\overline{CS0}$ ,  $\overline{CS1}$ ,  $\overline{CS3}$  and  $\overline{CS4}$ ). Each chip select signal covers a certain address range, also called “chip select area”. For details see “Memory banks and chip select signals” on page 292.

Additional byte enable signals  $\overline{BE0}$  to  $\overline{BE3}$  indicate valid data on any of the four bytes of the 32-bit data bus D[31:0].

The Memory Controller generates the control signals for access to the external devices. For example, it generates the read strobe ( $\overline{RD}$ ) and the write strobe ( $\overline{WR}$ ). From the 26 bit address of the CPU, the lower 24 bits are passed to the external device.

If two chip select signals are specified in the CSCn registers for a single memory bank, the priority control selects one of the chip select signals. The priority order is given in “CSCn - Chip area select control registers” on page 305.

The external signals of the Memory Controller and their state during and after reset are listed in the following table:

**Table 7-1** Memory Controller external connections and reset states

Signal name	I/O	State during reset	State after reset	Function
A[23:0]	O	Hi-Z (3-state)	O	Address bus
D[31:16]	I/O	Hi-Z (3-state)	Port input	Data bus
D[15:0]		Hi-Z (3-state)	I	
$\overline{CS0}$	O	Hi-Z (3-state)	O	Chip select signal
$\overline{CS1}$				
$\overline{CS3}$				
$\overline{CS4}$				
$\overline{BE0}$	O	Hi-Z (3-state)	O	Byte enable signal
$\overline{BE1}$				
$\overline{BE2}$	O	Hi-Z (3-state)	Port input	
$\overline{BE3}$				
$\overline{RD}$	O	Hi-Z (3-state)	O	Read strobe
$\overline{WR}$	O	Hi-Z (3-state)	O	Write strobe
BCLK	O	Hi-Z (3-state)	Port input	Bus clock

All port pins are in input port mode after reset. Refer to “Pin Functions” on page 27.

**ROMC** To access external ROM with page access function (page ROM), the Page ROM Controller (ROMC) is provided. It can handle page widths from 8 to 128 bytes.

For more details, see “Page ROM Controller” on page 320.

**Note** If the concerned pins are configured as external memory bus pins change between input and output is performed automatically by memory controller’s read and write operations.

**Configuration** The microcontroller device supports interfacing with various memory devices. To make the bus and Memory Controller suitable for the connected device, the endian format, wait functions and idle state insertions can be configured.

For a detailed description, see “Configuration of Memory Access” on page 322.

### 7.2.1 Memory banks and chip select signals

The 64 MB address range is divided into memory banks. Each memory bank is assigned to one or more chip select ( $\overline{CS}_n$ ) signals. If a memory bank is configured for external access, access to that memory bank generates the corresponding chip select signal (see Figure 7-3 on page 294). The combination of memory banks that activate the same chip select signal is called chip select area.

**μPD70F3426A** Figure 7-2 shows the memory map of the μPD70F3426A.

The 1 MB VSB Flash memory is mapped to the address range 0010 0000<sub>H</sub> to 001F FFFF<sub>H</sub> within bank 0.  $\overline{CS}_0$  is assigned to the VSB Flash memory.

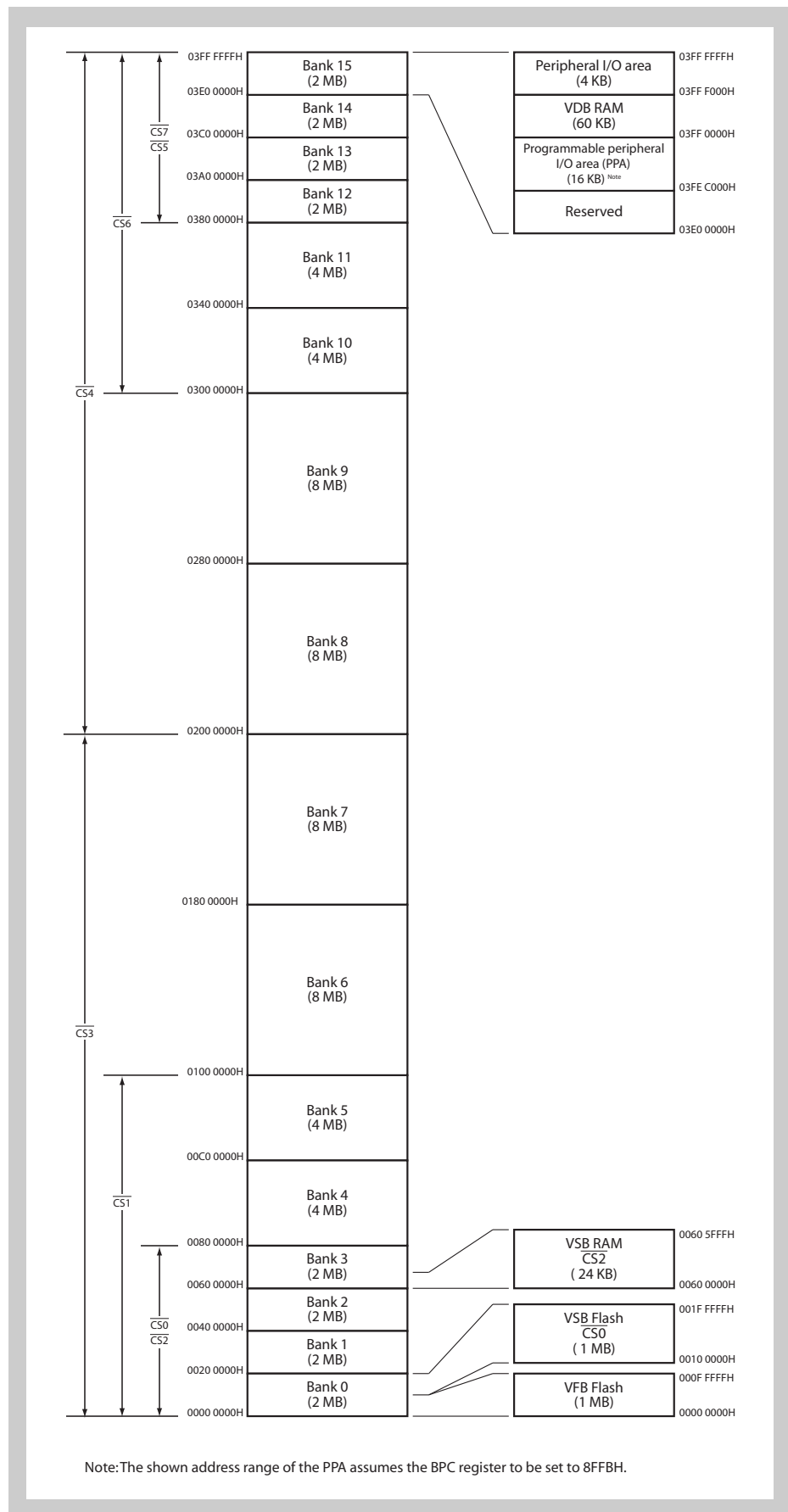
The 24 KB VSB RAM memory is mapped to the address range 0060 0000<sub>H</sub> to 0060 5FFF<sub>H</sub> within bank 3.  $\overline{CS}_2$  is assigned to the VSB RAM memory.

For access to the VSB Flash and VSB RAM the concerned BCU registers have to be set up as shown in Figure 7-2

For details about the control settings refer to the description of the registers.

**Table 7-2 BCU register settings for μPD70F3426A VSB Flash and VSB RAM access**

Control bit	Required setting	Comment
CSC0.CS0[3:0]	0001 <sub>B</sub>	<ul style="list-style-type: none"> <li>bank 0 assigned to <math>\overline{CS}_0</math> for VSB Flash</li> <li>default, don't change</li> </ul>
CSC0.CS2[3:0]	1000 <sub>B</sub>	<ul style="list-style-type: none"> <li>bank 3 assigned to <math>\overline{CS}_2</math> for VSB RAM</li> <li>no default, must be changed</li> </ul>
BEC.BE00	0	<ul style="list-style-type: none"> <li>little endian for VSB Flash</li> <li>default, don't change</li> </ul>
BEC.BE20	0	<ul style="list-style-type: none"> <li>little endian for VSB RAM</li> <li>default, don't change</li> </ul>



www.DataSheet4U.com

Figure 7-2 Memory banks and chip select signals for μPD70F3426A

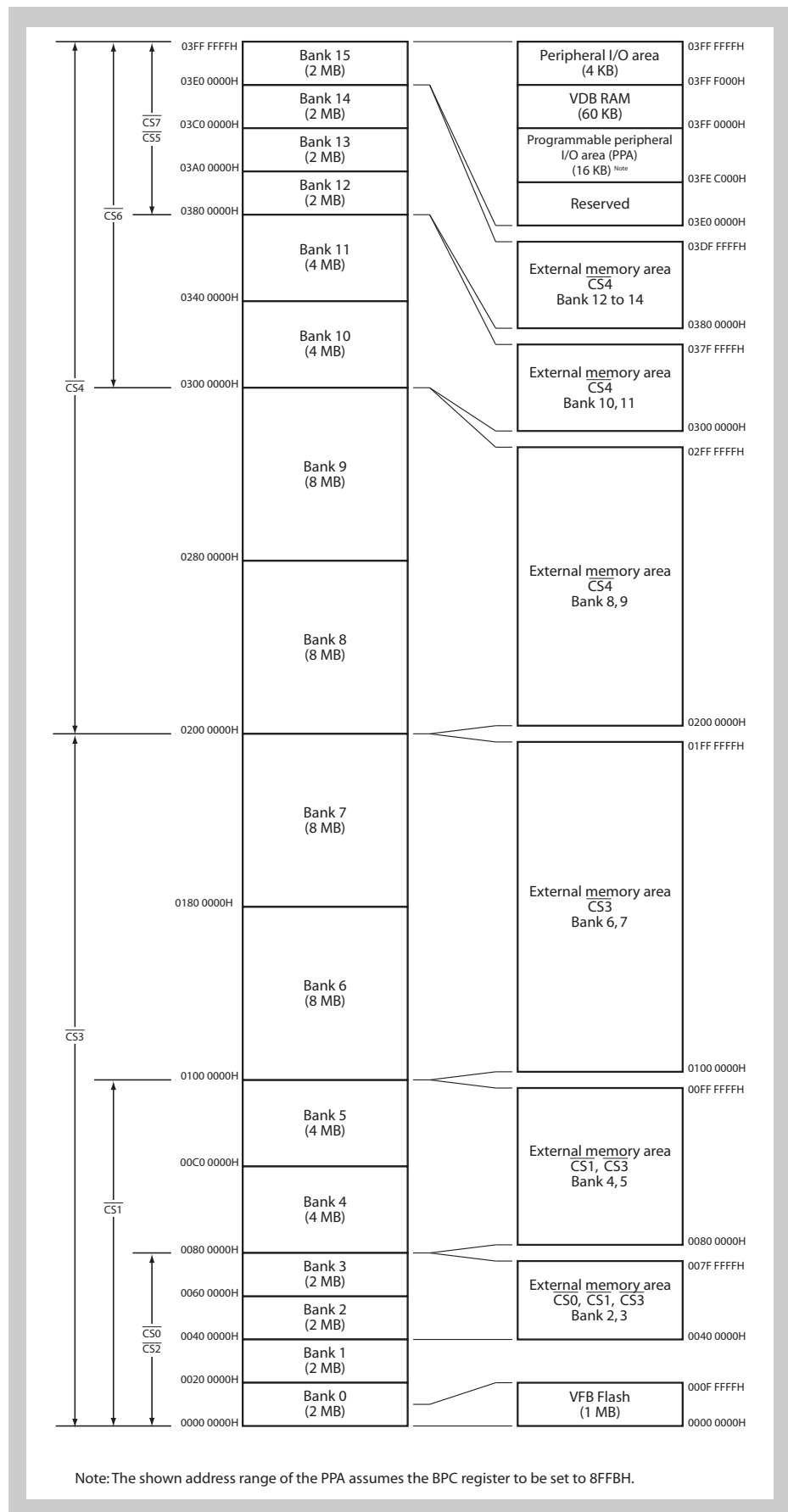


Figure 7-3 Memory banks and chip select signals for μPD70F3427

## 7.2.2 Chips select priority control

The chip select signals  $\overline{CS0}$  to  $\overline{CS7}$  can be assigned to overlapping memory areas by setting the chip select area control registers CSC0 and CSC1. The chip select priority control rules the generation of chip select signals in this case.

Access to internal resources, which are concurrently mapped to an external memory areas overrules the external access. As a consequence, the assigned  $\overline{CSn}$  signal is not generated externally.

If different chip select signals are set ( $CSC0.CSCkm = 1$ ) for the same memory bank, the priority order is as follows:

- internal resources >  $\overline{CS0}$  >  $\overline{CS2}$  >  $\overline{CS1}$  >  $\overline{CS3}$
- internal resources >  $\overline{CS7}$  >  $\overline{CS5}$  >  $\overline{CS6}$  >  $\overline{CS4}$

Examples:

- If both chip select signal  $\overline{CS0}$  and  $\overline{CS1}$  are set for memory bank 2, only the chip select signal  $\overline{CS0}$  will be generated.
- If during access to bank 2  $\overline{CS2}$  should *not* be active, activate  $\overline{CS0}$  for this bank ( $CSC0.CS02 = 1$ ). Due to the priority order, only chip select signal  $\overline{CS0}$  will be active for bank 2.

## 7.2.3 Peripheral I/O area

Two areas of the address range are reserved for the registers of the on-chip peripheral functions. These areas are called “peripheral I/O areas”:

Table 7-3 Peripheral I/O areas

Name	Address range	Size
Fixed peripheral I/O area	03FF F000 <sub>H</sub> to 03FF FFFF <sub>H</sub>	4 KB
Programmable peripheral I/O area (PPA)	Can be allocated at arbitrary addresses. Base address is defined in the BPC register.	16 KB

### (1) Fixed peripheral I/O area

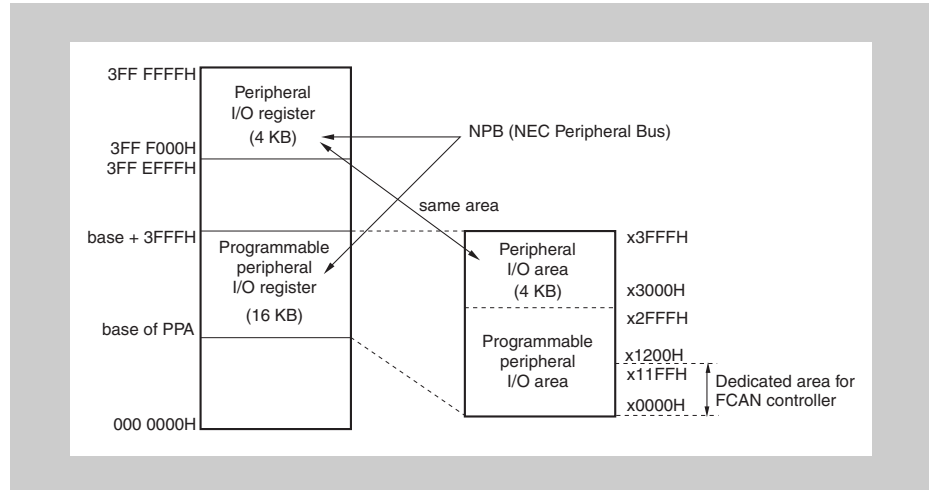
The fixed peripheral I/O area holds the registers of the on-chip peripheral I/O functions.

**Note** Because the address space covers 64 MB, the address bits A[31:26] are not considered. Therefore, in this manual, all addresses of peripheral I/O registers in the 4 KB peripheral I/O area are given in the range FFFF F000<sub>H</sub> to FFFF FFFF<sub>H</sub> instead of 03FF F000<sub>H</sub> to 03FF FFFF<sub>H</sub>.

**(2) Programmable peripheral I/O area (PPA)**

The usage and the address range of the PPA is configurable. The PPA extends the fixed peripheral I/O area and assigns an additional 12 KB address space for accessing on-chip peripherals.

The figure below illustrates the programmable peripheral I/O area (PPA).



**Figure 7-4 Programmable peripheral I/O area**

The CAN modules registers and message buffers are allocated to the PPA. Refer to "CAN module register and message buffer addresses" on page 745 for information how to calculate the register and message buffer addresses of the CAN modules.

**Caution** If the programmable peripheral I/O area overlaps one of the following areas, the programmable peripheral I/O area becomes ineffective:

- Peripheral I/O area
- ROM area
- RAM area

- Note**
1. The *fixed* peripheral I/O area is mirrored to the upper 4 KB of the *programmable* peripheral I/O area – regardless of the base address of the PPA. If data is written in one area, data having the same contents is also written in the other area.
  2. All address definitions in this manual that refer to the programmable peripheral area assume that the base address of the PPA is 03FE C000<sub>H</sub>, that means BPC = 8FFB<sub>H</sub>.

### 7.2.4 NPB access timing

All accesses to the peripheral I/O areas are passed over to the NPB bus via the VSB - NPB bus bridge BBR. Read and write access times to registers via the NPB depend on the register (refer to “*Registers Access Times*” on page 985), the system clock VBCLK and the setting of the VSWC register.

The CPU operation during an access to a register via the NPB depends also on the kind of peripheral I/O area:

- Fixed peripheral I/O area  
During a read or write access the CPU operation stops until the access via the NPB is completed.
- Programmable peripheral I/O area  
During a read access the CPU operation stops until the read access via the NPB is completed.  
During a write access the CPU operation continues operation, provided any preceded NPB access is already finished. If a preceded NPB access is still ongoing the CPU stops until this access is finished and the NPB is cleared.

---

**Caution** Pay attention at write accesses to NPB peripheral I/O registers via the programmable peripheral I/O area.

Since the CPU may continue operation, even though the data has not yet been transferred to its destination register, inconsistencies may occur between the program flow and the status of the registers.

In particular register set-ups which change an operational status of a certain module require special notice, like, for instance, masking/unmasking of interrupts via maskable interrupt control registers xxIC, enabling/disabling timers, etc.

---

### 7.2.5 Bus properties

This section summarizes the properties of the external bus.

#### (1) Bus width

The microcontroller device accesses external memory and external I/O in 8-bit, 16-bit, or 32-bit units.

The data bus size for each chip select area is specified in the local bus size configuration register (LBS).

The operation for each type of access is given in “*Access to 8-bit data busses*” on page 336 and in “*Access to 16-bit data busses*” on page 342.

#### (2) Bus priority order

There are three kinds of external bus cycles as shown below. The DMA cycle has the highest priority, followed by the operand data access, and instruction fetch, in that order.

Table 7-4 Bus priority order

Priority	External bus cycle	Bus master
High	DMA cycle	DMA Controller
	Operand data access	CPU
Low	Instruction fetch	CPU

**(3) Bus access**

The number of CPU clocks necessary for accessing each resource – independent of the bus width – is as follows:

Table 7-5 Number of bus access clocks

Bus cycle configuration		Internal RAM	External I/O	External memory
Instruction fetch	Normal access	1 <sup>a</sup>	–	2 <sup>b</sup>
	Branch	1	–	2 <sup>b</sup>
Operand data access		1	3 <sup>b</sup>	2 <sup>b</sup>

a) In case of contention with data access, the instruction fetch from internal RAM takes 2 clocks.

b) This is the minimum value.

**7.2.6 Boundary operation conditions**

The microcontroller device has the following boundary operation conditions:

**(1) Program space**

Instruction fetches from the internal peripheral I/O area are inhibited and yield NOP operations.

If a branch instruction exists at the upper limit of the internal RAM area, a pre-fetch operation (invalid fetch) that straddles over the internal peripheral I/O area does not occur.

**(2) Data space**

The microcontroller device is provided with an address misalign function.

By this function, data of any format (word: 32 bit, halfword: 16 bit, byte: 8 bit) can be placed to any address in memory, even though the address is not aligned to the data format (that means address  $4n$  for words, address  $2n$  for halfwords).

- Unaligned halfword data access  
When the LSB of the address is  $A_0 = 1$ , two byte accesses are performed.
- Unaligned word data access  
When the LSB of the address is  $A_0 = 1$ , two byte and one halfword accesses are performed. In total it takes 3 bus cycles.
  - When the LSBs of the address are  $A[1:0] = 10_B$ , two halfword accesses are performed.

**Note** Accessing data on misaligned addresses takes more than one bus cycle to complete data read/write. Consequently, the bus efficiency will drop.



### 7.2.7 Initialization for access to external devices

To enable access to external devices, initialize the following registers after any reset.

1. Chip area select control registers CSCn  
Define the memory banks that are allocated to external devices. Memory banks that are not allocated to external devices, must be deactivated.
2. Bus cycle type configuration registers BCTn  
Specify the external devices that are connected to the microcontroller device. For memory banks that are not allocated to external devices, the corresponding bits in registers BCT0 and BCT1 should be reset.
3. Local bus size configuration register LBS  
Set the data bus width for the active chip select areas.
4. Data wait control registers DWCn  
Set the number of data wait states with respect to the starting bus cycle.
5. Bus cycle control register BCC  
Set the number of idle states for each chip select area.
6. Page ROM configuration register PRC  
If page ROM mode is selected (BCTn.BTK0 = 1), set whether a page ROM cycle is on-page or off-page.
7. Endian configuration register (BEC)  
Set the endian format for each chip select area.
8. Address setup wait control register (ASC)  
Set the number of address setup wait states for each chip select area.
9. Read delay control register (RDDLY)  
Activate the delay of the rising edge of  $\overline{RD}$  strobe, as required.

- 
- Caution**
1. Do not change these registers after initialization.
  2. Do not access external devices before initialization is finished.
- 

### 7.2.8 External bus mute function

If no access via the external memory interface is performed the external bus is set into a mute status. During mute the external bus interface pins take following states:

- A[22:0]: hold the address of the last external access
- D[31:0]: 3-state
- $\overline{WR}$ ,  $\overline{RD}$ ,  $\overline{CS0}$ ,  $\overline{CS1}$ ,  $\overline{CS3}$ ,  $\overline{CS4}$ : high level (inactive state)

## 7.3 Registers

Access to on-chip peripherals, to external memory, and to external I/O is controlled and operated by registers of the Bus Control Unit (BCU) and of the Memory Controller (MEMC):

Table 7-6 Bus and memory control register overview

Module	Register name	Shortcut	Address
Bus Control Unit (BCU)	Peripheral area selection control register	BPC	FFFF F064 <sub>H</sub>
	Internal peripheral function wait control register	VSWC	FFFF F06E <sub>H</sub>
	Chip area select control registers	CSC0	FFFF F060 <sub>H</sub>
		CSC1	FFFF F062 <sub>H</sub>
	Endian configuration register	BEC	FFFF F068 <sub>H</sub>
<b>μPD70F3427 only:</b>			
Memory Controller (MEMC)	Bus cycle configuration registers	BCT0	FFFF F480 <sub>H</sub>
		BCT1	FFFF F482 <sub>H</sub>
	Address setup wait control register	ASC	FFFF F48A <sub>H</sub>
	Local bus size configuration register	LBS	FFFF F48E <sub>H</sub>
	Data wait control registers	DWC0	FFFF F484 <sub>H</sub>
		DWC1	FFFF F486 <sub>H</sub>
	Bus cycle control register	BCC	FFFF F488 <sub>H</sub>
	Bus mode control register	BMC	FFFF F498 <sub>H</sub>
	Read delay control register	RDDLY	FFFF FF00 <sub>H</sub>
Page ROM configuration register	PRC	FFFF F49A <sub>H</sub>	

### 7.3.1 BCU registers

The following registers are part of the BCU. They define the usage of the programmable peripheral I/O area (PPA), the data bus width, the endian format of word data, and they control access to external devices.

#### (1) BPC - Peripheral area selection control register

The 16-bit BPC register defines whether the programmable peripheral I/O area (PPA) is used or not and determines the starting address of the PPA.

**Access** This register can be read/written in 16-bit units.

**Address** FFFF F064<sub>H</sub>

**Initial Value** 0000<sub>H</sub>

15	14	13	12	11	10	9	8	7	6	5	4	3	2	1	0
PA15	0	PA13	PA12	PA11	PA10	PA9	PA8	PA7	PA6	PA5	PA4	PA3	PA2	PA1	PA0

Table 7-7 BPC register contents

Bit Position	Bit Name	Function
15	PA15	Select usage of programmable peripheral I/O area (PPA). 0: PPA disabled 1: PPA enabled
13 to 0	PA[13:0]	Bits PA[13:0] specify bits 27 to 14 of the starting address of the PPA. The other bits of the address are fixed to 0.

**Caution** Bit 14 must always be 0.  
The base address PBA of the programmable peripheral area sets the start address of the 16 KB PPA in a range of 256 MB. The 256 MB page is mirrored 16 times to the entire 32-bit address range.

The base address PBA is calculated by

$$PBA = BPC.PA[13:0] \times 2^{14}$$

Table 7-8 shows how the base address PBA of the programmable peripheral area is assembled.

Table 7-8 Address range of programmable peripheral area (16 KB)

31	...	28	27	...	14	13	...	1	0	bit	
0	...	0	BPC.PA[13:0]				1	...	1	1	
...	...	...	...	...	...	...	...	...	...		
0	...	0	BPC.PA[13:0]				0	...	0	1	
0	...	0	BPC.PA[13:0]				0	...	0	0	PBA

**Note** The recommended setting for the BPC register is 8FFB<sub>H</sub>. With this configuration the programmable peripheral area is mapped to the address range 03FE C000<sub>H</sub> to 03FE FFFF<sub>H</sub>. With this setting the CAN message buffer registers are accessible via the addresses given in “CAN Controller (CAN)” on page 719.  
The fixed peripheral area is mirrored to the address range 03FE E000<sub>H</sub> to 03FE FFFF<sub>H</sub>.

**(2) VSWC - Internal peripheral function wait control register**

The 8-bit VSWC register defines the wait states inserted when accessing peripheral special function registers via the internal bus. Both address setup and data wait states are based on the system clock.

**Access** This register can be read/written in 8-bit or 1-bit units.

**Address** FFFF F06E<sub>H</sub>

**Initial Value** 77<sub>H</sub>

	7	6	5	4	3	2	1	0
	0	SUWL2	SUWL1	SUWL0	0	VSWL2	VSWL1	VSWL0
	R/W	R/W	R/W	R/W	R/W	R/W	R/W	R/W

**Table 7-9 VSWC register contents**

Bit position	Bit name	Function																																				
6 to 4	SUWL[2:0]	Address setup wait for internal bus: <table border="1" style="width: 100%; margin-top: 5px; border-collapse: collapse;"> <thead> <tr style="background-color: #cccccc;"> <th style="width: 12.5%;">SUWL2</th> <th style="width: 12.5%;">SUWL1</th> <th style="width: 12.5%;">SUWL0</th> <th style="width: 62.5%;">Number of address setup wait states</th> </tr> </thead> <tbody> <tr><td style="text-align: center;">0</td><td style="text-align: center;">0</td><td style="text-align: center;">0</td><td>0</td></tr> <tr><td style="text-align: center;">0</td><td style="text-align: center;">0</td><td style="text-align: center;">1</td><td>1 CPU system clock (VBCLK)</td></tr> <tr><td style="text-align: center;">0</td><td style="text-align: center;">1</td><td style="text-align: center;">0</td><td>2 CPU system clock (VBCLK)</td></tr> <tr><td style="text-align: center;">0</td><td style="text-align: center;">1</td><td style="text-align: center;">1</td><td>3 CPU system clock (VBCLK)</td></tr> <tr><td style="text-align: center;">1</td><td style="text-align: center;">0</td><td style="text-align: center;">0</td><td>4 CPU system clock (VBCLK)</td></tr> <tr><td style="text-align: center;">1</td><td style="text-align: center;">0</td><td style="text-align: center;">1</td><td>5 CPU system clock (VBCLK)</td></tr> <tr><td style="text-align: center;">1</td><td style="text-align: center;">1</td><td style="text-align: center;">0</td><td>6 CPU system clock (VBCLK)</td></tr> <tr><td style="text-align: center;">1</td><td style="text-align: center;">1</td><td style="text-align: center;">1</td><td>7 CPU system clock (VBCLK)</td></tr> </tbody> </table>	SUWL2	SUWL1	SUWL0	Number of address setup wait states	0	0	0	0	0	0	1	1 CPU system clock (VBCLK)	0	1	0	2 CPU system clock (VBCLK)	0	1	1	3 CPU system clock (VBCLK)	1	0	0	4 CPU system clock (VBCLK)	1	0	1	5 CPU system clock (VBCLK)	1	1	0	6 CPU system clock (VBCLK)	1	1	1	7 CPU system clock (VBCLK)
SUWL2	SUWL1	SUWL0	Number of address setup wait states																																			
0	0	0	0																																			
0	0	1	1 CPU system clock (VBCLK)																																			
0	1	0	2 CPU system clock (VBCLK)																																			
0	1	1	3 CPU system clock (VBCLK)																																			
1	0	0	4 CPU system clock (VBCLK)																																			
1	0	1	5 CPU system clock (VBCLK)																																			
1	1	0	6 CPU system clock (VBCLK)																																			
1	1	1	7 CPU system clock (VBCLK)																																			
2 to 0	VSWL[2:0]	Data wait for internal bus: <table border="1" style="width: 100%; margin-top: 5px; border-collapse: collapse;"> <thead> <tr style="background-color: #cccccc;"> <th style="width: 12.5%;">VSWL2</th> <th style="width: 12.5%;">VSWL1</th> <th style="width: 12.5%;">VSWL0</th> <th style="width: 62.5%;">Number of data wait states</th> </tr> </thead> <tbody> <tr><td style="text-align: center;">0</td><td style="text-align: center;">0</td><td style="text-align: center;">0</td><td>0</td></tr> <tr><td style="text-align: center;">0</td><td style="text-align: center;">0</td><td style="text-align: center;">1</td><td>1 CPU system clock (VBCLK)</td></tr> <tr><td style="text-align: center;">0</td><td style="text-align: center;">1</td><td style="text-align: center;">0</td><td>2 CPU system clock (VBCLK)</td></tr> <tr><td style="text-align: center;">0</td><td style="text-align: center;">1</td><td style="text-align: center;">1</td><td>3 CPU system clock (VBCLK)</td></tr> <tr><td style="text-align: center;">1</td><td style="text-align: center;">0</td><td style="text-align: center;">0</td><td>4 CPU system clock (VBCLK)</td></tr> <tr><td style="text-align: center;">1</td><td style="text-align: center;">0</td><td style="text-align: center;">1</td><td>5 CPU system clock (VBCLK)</td></tr> <tr><td style="text-align: center;">1</td><td style="text-align: center;">1</td><td style="text-align: center;">0</td><td>6 CPU system clock (VBCLK)</td></tr> <tr><td style="text-align: center;">1</td><td style="text-align: center;">1</td><td style="text-align: center;">1</td><td>7 CPU system clock (VBCLK)</td></tr> </tbody> </table>	VSWL2	VSWL1	VSWL0	Number of data wait states	0	0	0	0	0	0	1	1 CPU system clock (VBCLK)	0	1	0	2 CPU system clock (VBCLK)	0	1	1	3 CPU system clock (VBCLK)	1	0	0	4 CPU system clock (VBCLK)	1	0	1	5 CPU system clock (VBCLK)	1	1	0	6 CPU system clock (VBCLK)	1	1	1	7 CPU system clock (VBCLK)
VSWL2	VSWL1	VSWL0	Number of data wait states																																			
0	0	0	0																																			
0	0	1	1 CPU system clock (VBCLK)																																			
0	1	0	2 CPU system clock (VBCLK)																																			
0	1	1	3 CPU system clock (VBCLK)																																			
1	0	0	4 CPU system clock (VBCLK)																																			
1	0	1	5 CPU system clock (VBCLK)																																			
1	1	0	6 CPU system clock (VBCLK)																																			
1	1	1	7 CPU system clock (VBCLK)																																			

www.DataSheet4U.com

The following setups are recommended for VSWC:

**Table 7-10 Recommended timing for internal bus**

System clock <sup>a</sup> $f_{VBCLK}$	≤ 16 MHz	≤ 25 MHz	≤ 33 MHz	≤ 50 MHz	≤ 66 MHz
SUWL	0	0	1	1	1
VSWL	0	1	1	2	3
VSWC	00 <sub>H</sub>	01 <sub>H</sub>	11 <sub>H</sub>	12 <sub>H</sub>	13 <sub>H</sub>

<sup>a)</sup> When deriving the system clock from the modulated clock of the SSCG, the maximum clock determines the correct register setting.

**(3) CSCn - Chip area select control registers**

The 16-bit registers CSC0 and CSC1 assign the chip select signals  $\overline{CS0}$  to  $\overline{CS3}$  and  $\overline{CS4}$  to  $\overline{CS7}$  to memory blanks (see also “Memory banks and chip select signals” on page 292). If a bit in CSCn is set, access to the corresponding memory bank will generate the corresponding chip select signal and activate the Memory Controller.

If several chip select signals are assigned to identical memory areas, a priority control rules the generation of the signals (refer to “Chips select priority control” on page 295).

**Access** These registers can be read/written in 16-bit units.

**Address** CSC0: FFFF F060<sub>H</sub>  
 CSC1: FFFF F062<sub>H</sub>

**Initial Value** 2C11<sub>H</sub>

These registers must be initialized as described in Table 7-13 and Table 7-14.

CSC0

15	14	13	12	11	10	9	8	7	6	5	4	3	2	1	0
CS33	CS32	CS31	CS30	CS23	CS22	CS21	CS20	CS13	CS12	CS11	CS10	CS03	CS02	CS01	CS00
$\overline{CS3}$				$\overline{CS2}$				$\overline{CS1}$				$\overline{CS0}$			

CSC1

15	14	13	12	11	10	9	8	7	6	5	4	3	2	1	0
CS43	CS42	CS41	CS40	CS53	CS52	CS51	CS50	CS63	CS62	CS61	CS60	CS73	CS72	CS71	CS70
$\overline{CS4}$				$\overline{CS5}$				$\overline{CS6}$				$\overline{CS7}$			

The register contents in Table 7-11 and Table 7-12 read as follows:

- CSkm = 0: Corresponding chip select signal is *not* active during access to memory bank.
- CSkm = 1: Corresponding chip select signal is active during access to memory bank.

---

**Caution** To initialize an external memory area after a reset, registers CSCn have to be set. Do not change these registers after initialization. Do not access external devices before initialization is finished.

---

Table 7-11 CSC0 register contents

Bit Position	Bit Name	Access to memory bank	Chip select signal
15	CS33	7	$\overline{\text{CS}}_3$
14	CS32	6	
13	CS31	4 or 5	
12	CS30	0, 1, 2 or 3	
11	CS23	3	$\overline{\text{CS}}_2$
10	CS22	2	
9	CS21	1	
8	CS20	0	
7	CS13	5	$\overline{\text{CS}}_1$
6	CS12	4	
5	CS11	2 or 3	
0	CS10	0 or 1	
3	CS03	3	$\overline{\text{CS}}_0$
2	CS02	2	
1	CS01	1	
0	CS00	0	

Table 7-12 CSC1 register contents

Bit Position	Bit Name	Access to memory bank	Chip select signal
15	CS43	8	$\overline{\text{CS}}_4$
14	CS42	9	
13	CS41	10 or 11	
12	CS40	12, 13, 14 or 15	
11	CS53	12	$\overline{\text{CS}}_5$
10	CS52	13	
9	CS51	14	
8	CS50	15	
7	CS63	10	$\overline{\text{CS}}_6$
6	CS62	11	
5	CS61	12 or 13	
0	CS60	14 or 15	
3	CS73	12	$\overline{\text{CS}}_7$
2	CS72	13	
1	CS71	14	
0	CS70	15	



**Initialization** Initialize the CSCn registers as shown in

- Table 7-13 for  $\mu$ PD70F3426A
- Table 7-14 for  $\mu$ PD70F3427

**Table 7-13 Initialization of the  $\mu$ PD70F3426A CSCn registers**

Bits	Set to value	Comment
CSC0.CS0[3:0]	0001 <sub>B</sub>	$\overline{CS0}$ assigned to bank 0 to VSB Flash memory 010 0000 <sub>H</sub> - 01F FFFF <sub>H</sub> .  CSC0.CS0[3:0] must be left with their default value 1000 <sub>B</sub> .
CSC0.CS1[3:0]	1000 <sub>B</sub>	CSC0.CS1[3:0] must be left with their default value 1000 <sub>B</sub> .
CSC0.CS2[3:0]	1000 <sub>B</sub>	$\overline{CS2}$ assigned to bank 3 to VSB RAM memory 060 0000 <sub>H</sub> - 060 5FFF <sub>H</sub> .  <b>Caution:</b> CSC0.CS2[3:0] must be changed to 1000 <sub>B</sub> (default value is 1100 <sub>B</sub> ).
CSC0.CS3[3:0]	0010 <sub>B</sub>	CSC0.CS3[3:0] must be left with their default value 0010 <sub>B</sub> .
CSC1.CS4[3:0]	0010 <sub>B</sub>	CSC1.CS4[3:0] must be left with their default value 0010 <sub>B</sub> .
CSC1.CS5[3:0]	1100 <sub>B</sub>	CSC1.CS5[3:0] must be left with their default value 1100 <sub>B</sub> .
CSC1.CS6[3:0]	0001 <sub>B</sub>	CSC1.CS6[3:0] must be left with their default value 0001 <sub>B</sub> .
CSC1.CS7[3:0]	0001 <sub>B</sub>	CSC1.CS7[3:0] must be left with their default value 0001 <sub>B</sub> .

**Caution** For the  $\mu$ PD70F3426A the CSC0 register must be changed to 2811<sub>H</sub> and CSC1 must be left with its default value 2C11<sub>H</sub>. Do not modify these registers after setting CSC0 = 2811<sub>H</sub>.

Table 7-14 Initialization of the  $\mu$ PD70F3427 CSCn registers

Bits	Set to value	Comment
CSC0.CS0[3:0]	xx00 <sub>B</sub>	Set CSC0.CS0[3:2] as required to assign $\overline{CS0}$ to bank 2 to 3 to external memory 040 0000 <sub>H</sub> - 07F FFFF <sub>H</sub> .  <b>Caution:</b> CSC0.CS0[1:0] must be changed to 00 <sub>B</sub> (default value is 01 <sub>B</sub> ).
CSC0.CS1[3:0]	xxx0 <sub>B</sub>	Set CSC0.CS1[3:1] as required to assign $\overline{CS1}$ to bank 2 to 5 to external memory 040 0000 <sub>H</sub> - 0FF FFFF <sub>H</sub> .  <b>Caution:</b> CSC0.CS10 must be changed to 0 (default value is 1).
CSC0.CS2[3:0]	1100 <sub>B</sub>	CSC0.CS2[3:0] must be left with their default value 1100 <sub>B</sub> .
CSC0.CS3[3:0]	xxx0 <sub>B</sub>	Set CSC0.CS3[3:1] as required to assign $\overline{CS3}$ to bank 4 to 7 to external memory 080 0000 <sub>H</sub> - 1FF FFFF <sub>H</sub> .  CSC0.CS30 must be left with its default value 0.
CSC1.CS4[3:0]	xxx0 <sub>B</sub>	Set CSC1.CS4[3:1] as required to assign $\overline{CS4}$ to bank 8 to 11 to external memory 200 0000 <sub>H</sub> - 37F FFFF <sub>H</sub> .  CSC0.CS40 must be left with its default value 0.
CSC0.CS5[3:0]	1100 <sub>B</sub>	CSC0.CS5[3:0] must be left with their default value 1100 <sub>B</sub> .
CSC1.CS6[3:0]	0001 <sub>B</sub>	CSC0.CS6[3:0] must be left with their default value 0001 <sub>B</sub> .
CSC1.CS7[3:0]	0001 <sub>B</sub>	CSC0.CS7[3:0] must be left with their default value 0001 <sub>B</sub> .

**(4) BEC - Endian configuration register**

The 16-bit BEC register defines the endian format in which word data in the memory is processed. Each chip select area is controlled separately.

**Access** This register can be read/written in 16-bit units.

**Address** FFFF F068<sub>H</sub>

**Initial Value** 0000<sub>H</sub>

This register must be initialized as described in *Table 7-16* and *Table 7-17*.

15	14	13	12	11	10	9	8	7	6	5	4	3	2	1	0
0	BE70	0	BE60	0	BE50	0	BE40	0	BE30	0	BE20	0	BE10	0	BE00
$\overline{CS7}$		$\overline{CS6}$		$\overline{CS5}$		$\overline{CS4}$		$\overline{CS3}$		$\overline{CS2}$		$\overline{CS1}$		$\overline{CS0}$	

**Table 7-15 BEC register contents**

Bit Position	Bit Name	Function
14, 12, 10, 8, 6, 4, 0	BEk0	Sets the endian format for processing of word data for each chip select area. 0: Little endian 1: Big endian

- 
- Caution**
1. The bits marked with 0 must always be 0.
  2. To initialize an external memory area after a reset, register BEC has to be set. Do not change this register after initialization. Do not access external devices before initialization is finished.
- 

- Note**
1. Accesses to all internal resources are fixed to little endian format.
  2. Different chip select signals can be active for the same memory bank. The priority order defines, which chip select signal is valid.
  3. Set the chip select area which is specified as the programmable peripheral I/O area to little endian format.

**Initialization** Initialize the BEC register as shown in

- Table 7-16 for  $\mu$ PD70F3426A
- Table 7-17 for  $\mu$ PD70F3427

**Table 7-16** Initialization of the  $\mu$ PD70F3426A BEC register

Bits	Set to value	Comment
BEC.BE00	0	Endian format for VSB Flash memory: little endian BEC.BE00 must be left with their default value 0
BEC.BE10	0 <sub>B</sub>	BEC.BE10 must be left with their default value 0
BEC.BE20	0	Endian format for VSB RAM: little endian BEC.BE20 must be left with their default value 0
BEC.BE30	0 <sub>B</sub>	BEC.BE30 must be left with their default value 0
BEC.BE40	0 <sub>B</sub>	BEC.BE40 must be left with their default value 0
BEC.BE50	0 <sub>B</sub>	BEC.BE50 must be left with their default value 0
BEC.BE60	0 <sub>B</sub>	BEC.BE60 must be left with their default value 0
BEC.BE70	0 <sub>B</sub>	BEC.BE70 must be left with their default value 0

**Caution** For the  $\mu$ PD70F3426A the BEC register must be left with its default value 0000<sub>H</sub>. Do not modify this register.

**Table 7-17** Initialization of the  $\mu$ PD70F3427 BEC register

Bits	Set to value	Comment
BEC.BE00	x <sub>B</sub>	Set as required
BEC.BE10	x <sub>B</sub>	Set as required
BEC.BE20	0 <sub>B</sub>	BEC.BE20 must be left with their default value 0
BEC.BE30	x <sub>B</sub>	Set as required
BEC.BE40	x <sub>B</sub>	Set as required
BEC.BE50	0 <sub>B</sub>	BEC.BE50 must be left with their default value 0
BEC.BE60	0 <sub>B</sub>	BEC.BE60 must be left with their default value 0
BEC.BE70	0 <sub>B</sub>	BEC.BE70 must be left with their default value 0

### 7.3.2 Memory controller registers (μPD70F3427 only)

The following registers are part of the Memory Controller. They specify the type of external device that is connected, the number of data wait states, the number of address wait states, the number of idle states, and they control features for page ROM.

#### (1) BCTn - Bus cycle configuration registers

The 16-bit BCT0 register specifies the external devices that are connected to the microcontroller device. The register enables the operation of the Memory Controller for each chip select signal.

**Access** These registers can be read/written in 16-bit units.

**Address** BCT0: FFFF F480<sub>H</sub>  
 BCT1: FFFF F482<sub>H</sub>

**Initial Value** 0000<sub>H</sub>

BCT0

15	14	13	12	11	10	9	8	7	6	5	4	3	2	1	0
ME3	0	0	BT30	ME2	0	0	BT20	ME1	0	0	BT10	ME0	0	0	BT00
$\overline{CS3}$				$\overline{CS2}$				$\overline{CS1}$				$\overline{CS0}$			

BCT1

15	14	13	12	11	10	9	8	7	6	5	4	3	2	1	0
ME7	0	0	BT70	ME6	0	0	BT60	ME5	0	0	BT50	ME4	0	0	BT40
$\overline{CS7}$				$\overline{CS6}$				$\overline{CS5}$				$\overline{CS4}$			

Table 7-18 BCTn register contents

Bit Position	Bit Name	Function
15, 11, 7, 3	MEk	Enables/disables Memory Controller operation for chip select area k. 0: Operation disabled 1: Operation enabled
12, 8, 4, 0	BTk0	Specifies the devices that are connected to chip select area k. 0: SRAM or external I/O connected 1: Page ROM connected

- Caution**
1. The bits marked with 0 must always be 0.
  2. To initialize an external memory area after a reset, registers BCTn have to be set. Do not change this register after initialization. Do not access external devices before initialization is finished.

**Low power mode** Setting the Memory Controller into low power mode by changing the bit BMC.PWDN impacts the BCTn registers as follows:

- entering low power mode by setting BMC.PWDN = 1

- bits BCTn.BTm are set to 0
- bits BCTn.MEm are retained
- bus clock is stopped
- entering normal operation mode by setting BMC.PWDN = 0
  - bits BCTn.MEm are set to 0
  - bus clock is started

Thus after entering and leaving the low power mode, the BCTn registers hold their initial values 0000<sub>H</sub>.

## (2) LBS - Local bus size configuration register

The 16-bit LBS register controls the data bus width for each chip select area.

**Access** This register can be read/written in 16-bit units.

**Address** FFFF F48E<sub>H</sub>

**Initial Value** AAAA<sub>H</sub>.

15	14	13	12	11	10	9	8	7	6	5	4	3	2	1	0
LB71	LB70	LB61	LB60	LB51	LB50	LB41	LB40	LB31	LB30	LB21	LB20	LB11	LB10	LB01	LB00
$\overline{CS7}$		$\overline{CS6}$		$\overline{CS5}$		$\overline{CS4}$		$\overline{CS3}$		$\overline{CS2}$		$\overline{CS1}$		$\overline{CS0}$	

Table 7-19 LBS register contents

Bit position	Bit name	Function															
15 to 0	LBk[1:0]	Sets the data bus width for each chip select area. <table border="1" style="margin-left: 20px;"> <thead> <tr> <th>LBk1</th><th>LBk0</th><th>Data bus size</th></tr> </thead> <tbody> <tr> <td>0</td><td>0</td><td>8 bit</td></tr> <tr> <td>0</td><td>1</td><td>16 bit</td></tr> <tr> <td>1</td><td>0</td><td>32 bit</td></tr> <tr> <td>1</td><td>1</td><td>prohibited</td></tr> </tbody> </table>	LBk1	LBk0	Data bus size	0	0	8 bit	0	1	16 bit	1	0	32 bit	1	1	prohibited
LBk1	LBk0	Data bus size															
0	0	8 bit															
0	1	16 bit															
1	0	32 bit															
1	1	prohibited															

**(3) ASC - Address setup wait control register**

The 16-bit ASC register controls the number of wait states between address setup and the first access cycle (T1). Each chip select area is controlled separately. A maximum of three address setup wait states is possible.

Address setup wait states can be inserted when accessing

- SRAM
- page ROM

**Access** This register can be read/written in 16-bit units.

**Address** FFFF F48A<sub>H</sub>

**Initial Value** FFFF<sub>H</sub>: After system setup, by default, three address setup wait states are inserted for each chip select area.

15	14	13	12	11	10	9	8	7	6	5	4	3	2	1	0
AC71	AC70	AC61	AC60	AC51	AC50	AC41	AC40	AC31	AC30	AC21	AC20	AC11	AC10	AC01	AC00
$\overline{CS7}$		$\overline{CS6}$		$\overline{CS5}$		$\overline{CS4}$		$\overline{CS3}$		$\overline{CS2}$		$\overline{CS1}$		$\overline{CS0}$	

**Table 7-20 ASC register contents**

Bit position	Bit name	Function										
15 to 0	ACK[1:0]	Sets the number of address setup wait states for each chip select area. <table border="1" style="margin-left: auto; margin-right: auto; border-collapse: collapse;"> <thead> <tr> <th style="width: 20%;">ACK[1:0]</th> <th style="width: 80%;">Wait states inserted after address setup</th> </tr> </thead> <tbody> <tr> <td style="text-align: center;">00<sub>B</sub></td> <td>No wait state inserted</td> </tr> <tr> <td style="text-align: center;">01<sub>B</sub></td> <td>1 wait state</td> </tr> <tr> <td style="text-align: center;">10<sub>B</sub></td> <td>2 wait states</td> </tr> <tr> <td style="text-align: center;">11<sub>B</sub></td> <td>3 wait states</td> </tr> </tbody> </table>	ACK[1:0]	Wait states inserted after address setup	00 <sub>B</sub>	No wait state inserted	01 <sub>B</sub>	1 wait state	10 <sub>B</sub>	2 wait states	11 <sub>B</sub>	3 wait states
ACK[1:0]	Wait states inserted after address setup											
00 <sub>B</sub>	No wait state inserted											
01 <sub>B</sub>	1 wait state											
10 <sub>B</sub>	2 wait states											
11 <sub>B</sub>	3 wait states											

- Note**
1. During address setup wait, the external wait function ( $\overline{WAIT}$  pin) is disabled.
  2. For access to internal memory, the setting of register ASC is neglected. No wait states are inserted after address setup.

**Caution** To initialize an external memory area after a reset, this register has to be set. Do not access external devices before initialization is finished. Do not change this register while an external device is accessed.

**(4) DWCn - Data wait control registers**

The 16-bit DWCn registers control the number of wait states after the first access cycle (T1). Each chip select area is controlled separately. A maximum of seven data wait states is possible.

**Access** This register can be read/written in 16-bit units.

**Address** DWC0: FFFF F484<sub>H</sub>  
DWC1: FFFF FFE0<sub>H</sub>

**Initial Value** 7777<sub>H</sub>: After system setup, by default, seven data wait states are inserted for each chip select area.

DWC0

15	14	13	12	11	10	9	8	7	6	5	4	3	2	1	0
0	DW32	DW31	DW30	0	DW22	DW21	DW20	0	DW12	DW11	DW10	0	DW02	DW01	DW00
$\overline{CS3}$				$\overline{CS2}$				$\overline{CS1}$				$\overline{CS0}$			

DWC1

15	14	13	12	11	10	9	8	7	6	5	4	3	2	1	0
0	DW72	DW71	DW70	0	DW62	DW61	DW60	0	DW52	DW51	DW50	0	DW42	DW41	DW40
$\overline{CS7}$				$\overline{CS6}$				$\overline{CS5}$				$\overline{CS4}$			

**Table 7-21** DWCn registers contents

Bit position	Bit name	Function														
15 to 0	DWk[2:0]	<p>Sets the number of wait states after the first access cycle (T1) for each chip select area.</p> <table border="1"> <thead> <tr> <th>DWk[2:0]</th> <th>Number of inserted wait states</th> </tr> </thead> <tbody> <tr> <td>000<sub>B</sub></td> <td>No wait state inserted</td> </tr> <tr> <td>001<sub>B</sub></td> <td>1 wait state</td> </tr> <tr> <td>010<sub>B</sub></td> <td>2 wait states</td> </tr> <tr> <td>011<sub>B</sub></td> <td>3 wait states</td> </tr> <tr> <td>...</td> <td>...</td> </tr> <tr> <td>111<sub>B</sub></td> <td>7 wait states</td> </tr> </tbody> </table>	DWk[2:0]	Number of inserted wait states	000 <sub>B</sub>	No wait state inserted	001 <sub>B</sub>	1 wait state	010 <sub>B</sub>	2 wait states	011 <sub>B</sub>	3 wait states	...	...	111 <sub>B</sub>	7 wait states
DWk[2:0]	Number of inserted wait states															
000 <sub>B</sub>	No wait state inserted															
001 <sub>B</sub>	1 wait state															
010 <sub>B</sub>	2 wait states															
011 <sub>B</sub>	3 wait states															
...	...															
111 <sub>B</sub>	7 wait states															

- Note**
1. For access to internal memory, programmable waits are *not* carried out.
  2. During page ROM on-page access, wait control is performed according to PRC register setting.

**Caution** To initialize an external memory area after a reset, this register has to be set. Do not access external devices before initialization is finished. Do not change this register while an external device is accessed.



**(5) BCC - Bus cycle control register**

The 16-bit BCC register controls the number of idle states inserted after the T2 cycle. Each chip select area is controlled separately. A maximum of three idle states is possible.

Idle states can be inserted when accessing SRAM , external I/O, external ROM, or page ROM.

**Access** This register can be read/written in 16-bit units.

**Address** FFFF F488<sub>H</sub>

**Initial Value** FFFF<sub>H</sub>. After system reset, three idle states are inserted.

15	14	13	12	11	10	9	8	7	6	5	4	3	2	1	0
BC71	BC70	BC61	BC60	BC51	BC50	BC41	BC40	BC31	BC30	BC21	BC20	BC11	BC10	BC01	BC00
$\overline{CS7}$		$\overline{CS6}$		$\overline{CS5}$		$\overline{CS4}$		$\overline{CS3}$		$\overline{CS2}$		$\overline{CS1}$		$\overline{CS0}$	

**Table 7-22 BCC register contents**

Bit position	Bit name	Function										
15 to 0	BCK[1:0]	Sets the number of idle states for each chip select area. <table border="1" style="margin-left: 20px;"> <thead> <tr> <th>BCK[1:0]</th> <th>Inserted idle states</th> </tr> </thead> <tbody> <tr> <td>00<sub>B</sub></td> <td>No idle state inserted</td> </tr> <tr> <td>01<sub>B</sub></td> <td>1 idle state</td> </tr> <tr> <td>10<sub>B</sub></td> <td>2 idle states</td> </tr> <tr> <td>11<sub>B</sub></td> <td>3 idle states</td> </tr> </tbody> </table>	BCK[1:0]	Inserted idle states	00 <sub>B</sub>	No idle state inserted	01 <sub>B</sub>	1 idle state	10 <sub>B</sub>	2 idle states	11 <sub>B</sub>	3 idle states
BCK[1:0]	Inserted idle states											
00 <sub>B</sub>	No idle state inserted											
01 <sub>B</sub>	1 idle state											
10 <sub>B</sub>	2 idle states											
11 <sub>B</sub>	3 idle states											

**Note** For access to internal memory, no idle states are inserted.

**Caution** To initialize an external memory area after a reset, this register has to be set. Do not access external devices before initialization is finished. Do not change this register while an external device is accessed.

**(6) BMC- Bus mode control register**

The 8-bit BMC register controls the operation of the memory interface and its clock supply.

**Access** This register can be read/written in 8- and 1-bit units.

**Address** FFFF F498<sub>H</sub>

**Initial Value** 00<sub>H</sub>

7	6	5	4	3	2	1	0
0	0	0	0	0	PDWN	0 <sup>a</sup>	CKM0
R	R	R	R	R	R	R	R/W

a) The default value "0" of bit 1 must not be changed.

**Table 7-23 BMC register contents**

Bit position	Bit name	Function
0	CKM0	Memory interface clock selection 0: VBCLK 1: VBCLK/2
2	PDWN	Operation mode selection: 0: Normal operation 1: Low power mode (operation is stopped and memory interface output signals are set to inactive levels)

- Caution**
- To initialize an external memory area after a reset, this register has to be set. Do not access external devices before initialization is finished. Do not change this register while an external device is accessed.
  - If the CPU system clock VBCLK is chosen above 32 MHz the memory interface clock must be set to VBCLK/2, i.e. BMC.CKM0 = 1.
  - When changing the BMC.CKM0 bit, it is necessary to set VSWC.VSWL[2:0] = 111<sub>B</sub> before accessing the BMC register.
  - If only the BMC.PDWN bit is changed, the presetting of the VSWC register is unnecessary.
  - When BMC.PDWN bit is set to "1", the BMC.CKM0 bit is reset to "0" and the following registers of the memory controller are reset
 

BCT0, BCT1	→reset value 0000 <sub>H</sub>
DWC0, DWC1	→reset value 7777 <sub>H</sub>
BCC	→reset value FFFF <sub>H</sub>
ASC	→reset value FFFF <sub>H</sub>
LBS	→reset value AAAA <sub>H</sub>
PRC	→reset value 7000 <sub>H</sub>

Therefore, it is necessary to initialize all registers again after return from power down mode. When the BMC.CKM0 bit is changed again, the presetting of the VSWC register is also necessary.

**Example** for setting the BMC.CMK0 bit

```
ld.b    VSWC[r0],r11    // save the origin VSWC register setting
ori     0x07,r11,r10    // set VSWC.VSWL[2:0] bits to 1
st.b    r10,VSWC[r0]
set1    0,BMC[r0]       // set the CMK0 bit to 1
st.b    r11,VSWC[r0]    // restore the origin VSWC register setting
```

**(7) RDDLY - Read delay control register**

The 8-bit RDDLY register controls the delay of the read strobe  $\overline{RD}$  of the external memory interface's  $\overline{CS1}$  area. It provides the option to delay the rising edge of the  $\overline{RD}$  by a half of the bus clock cycle BCLK.

**Access** This register can be read/written in 8- and 1-bit units.

**Address** FFFF FF00<sub>H</sub>

**Initial Value** 00<sub>H</sub>

7	6	5	4	3	2	1	0
0	0	0	0	0	0	0	RDDLYEN
R	R	R	R	R	R	R	R/W

**Table 7-24** RDDLY register contents

Bit position	Bit name	Function
0	RDDLYEN	Read strobe control. 0: Rising $\overline{RD}$ edge not delayed 1: Rising $\overline{RD}$ edge delayed by half BCLK clock cycle

- Caution**
1. To initialize an external memory area after a reset, this register has to be set. Do not access external devices before initialization is finished. Do not change this register while an external device is accessed.
  2. Read strobe delay can only be applied to the  $\overline{CS1}$  area.

**(8) PRC - Page ROM configuration register**

The 16-bit PRC register controls whether a page ROM cycle is on-page or off-page.

The register specifies the address mask. Masked address bits are not considered when deciding between on-page or off-page access. Set the mask according to the number of continuously readable bits.

For page access (cycle is on-page) the register defines the number of inserted data wait cycles.

**Access** This register can be read/written in 16-bit units.

**Address** FFFF F49A<sub>H</sub>

**Initial Value** 7000<sub>H</sub>

15	14	13	12	11	10	9	8	7	6	5	4	3	2	1	0
0	PRW2	PRW1	PRW0	0	0	0	0	0	0	0	0	MA6	MA5	MA4	MA3
R/W	R/W	R/W	R/W	R/W	R/W	R/W	R/W	R/W	R/W	R/W	R/W	R/W	R/W	R/W	R/W

**Table 7-25 PRC register contents**

Bit position	Bit name	Function																																													
14 to 12	PRW[2:0]	Page ROM on-page wait control. Sets the number of data waits corresponding to the internal system clock. <table border="1" style="margin-top: 10px;"> <thead> <tr> <th>PRW[2:0]</th> <th>Inserted data wait states</th> </tr> </thead> <tbody> <tr> <td>000<sub>B</sub></td> <td>No wait state inserted</td> </tr> <tr> <td>001<sub>B</sub></td> <td>1 wait state</td> </tr> <tr> <td>010<sub>B</sub></td> <td>2 wait states</td> </tr> <tr> <td>011<sub>B</sub></td> <td>3 wait states</td> </tr> <tr> <td>...</td> <td>...</td> </tr> <tr> <td>111<sub>B</sub></td> <td>7 wait states</td> </tr> </tbody> </table> <p><b>Note:</b> The number of wait states defined in the PRC register is only valid if on-page access is enabled. If on-page is disabled, the number of wait states is defined by registers DWC0 and DWC1.</p>	PRW[2:0]	Inserted data wait states	000 <sub>B</sub>	No wait state inserted	001 <sub>B</sub>	1 wait state	010 <sub>B</sub>	2 wait states	011 <sub>B</sub>	3 wait states	...	...	111 <sub>B</sub>	7 wait states																															
PRW[2:0]	Inserted data wait states																																														
000 <sub>B</sub>	No wait state inserted																																														
001 <sub>B</sub>	1 wait state																																														
010 <sub>B</sub>	2 wait states																																														
011 <sub>B</sub>	3 wait states																																														
...	...																																														
111 <sub>B</sub>	7 wait states																																														
3 to 0	MA[6:3]	Mask address. Setting bits MA6 to MA3 masks the corresponding addresses A6 to A3. <table border="1" style="margin-top: 10px;"> <thead> <tr> <th rowspan="2">MA6</th> <th rowspan="2">MA5</th> <th rowspan="2">MA4</th> <th rowspan="2">MA3</th> <th colspan="3">Number of continuously readable bits</th> </tr> <tr> <th>bus width: 8 bits LBk[1:0]=00<sub>B</sub></th> <th>bus width: 16 bits LBk[1:0]=01<sub>B</sub></th> <th>bus width: 32 bits LBk[1:0]=10<sub>B</sub></th> </tr> </thead> <tbody> <tr> <td>0</td><td>0</td><td>0</td><td>0</td><td>8 x 8 bits</td><td>4 x 16 bits</td><td>2 x 32 bits</td></tr> <tr> <td>0</td><td>0</td><td>0</td><td>1</td><td>16 x 8 bits</td><td>8 x 16 bits</td><td>4 x 32 bits</td></tr> <tr> <td>0</td><td>0</td><td>1</td><td>1</td><td>32 x 8 bits</td><td>16 x 16 bits</td><td>8 x 32 bits</td></tr> <tr> <td>0</td><td>1</td><td>1</td><td>1</td><td>64 x 8 bits</td><td>32 x 16 bits</td><td>16 x 32 bits</td></tr> <tr> <td>1</td><td>1</td><td>1</td><td>1</td><td>128 x 8 bits</td><td>64 x 16 bits</td><td>32 x 32 bits</td></tr> </tbody> </table>	MA6	MA5	MA4	MA3	Number of continuously readable bits			bus width: 8 bits LBk[1:0]=00 <sub>B</sub>	bus width: 16 bits LBk[1:0]=01 <sub>B</sub>	bus width: 32 bits LBk[1:0]=10 <sub>B</sub>	0	0	0	0	8 x 8 bits	4 x 16 bits	2 x 32 bits	0	0	0	1	16 x 8 bits	8 x 16 bits	4 x 32 bits	0	0	1	1	32 x 8 bits	16 x 16 bits	8 x 32 bits	0	1	1	1	64 x 8 bits	32 x 16 bits	16 x 32 bits	1	1	1	1	128 x 8 bits	64 x 16 bits	32 x 32 bits
MA6	MA5	MA4					MA3	Number of continuously readable bits																																							
			bus width: 8 bits LBk[1:0]=00 <sub>B</sub>	bus width: 16 bits LBk[1:0]=01 <sub>B</sub>	bus width: 32 bits LBk[1:0]=10 <sub>B</sub>																																										
0	0	0	0	8 x 8 bits	4 x 16 bits	2 x 32 bits																																									
0	0	0	1	16 x 8 bits	8 x 16 bits	4 x 32 bits																																									
0	0	1	1	32 x 8 bits	16 x 16 bits	8 x 32 bits																																									
0	1	1	1	64 x 8 bits	32 x 16 bits	16 x 32 bits																																									
1	1	1	1	128 x 8 bits	64 x 16 bits	32 x 32 bits																																									

**Note** To initialize an external memory area after a reset, register PRC has to be set if page ROM mode is selected. Do not change this register after initialization. Do not access external page ROM devices before initialization is finished.

---

**Caution** To initialize an external memory area after a reset, this register has to be set. Do not access external devices before initialization is finished. Do not change this register while an external device is accessed.

---

## 7.4 Page ROM Controller

In page ROM mode the microcontroller reads consecutive data from one page by inserting the wait cycles defined by PRC.PRW[2:0] instead of wait cycles defined in registers DWC0 and DWC1.

The page ROM controller decides whether a page ROM cycle is on-page or off-page. To do so, it buffers the address of the previous cycle and compares it with the address of the current cycle. If the compare result proves that the read access is on-page the read cycle is performed with wait cycles defined by PRC.PRW[2:0].

In the page ROM configuration register (PRC), one or more of the address bits (A3 to A6) are set as masking addresses (no comparison is made for these addresses). The masking address is chosen according to the configuration of the connected page ROM and the number of continuously readable bits.

Wait control for normal access (off-page) and page access (on-page) is specified by different registers: For page access, wait control is performed according to PRC register setting. For normal access, wait control is performed according to DWC0 and DWC1 register settings.

The following figures show the on-page/off-page judgment during page ROM connection for a 16-Mbit page ROM and for different data bus widths.

### (1) 8-bit data bus width

The page size or the number of continuously readable bits is 32 x 8 bit. To provide 32 addresses, a 5-bit on-page address is required. Therefore, set  $\text{PRC.MA}[6:3] = 0011_{\text{B}}$ .

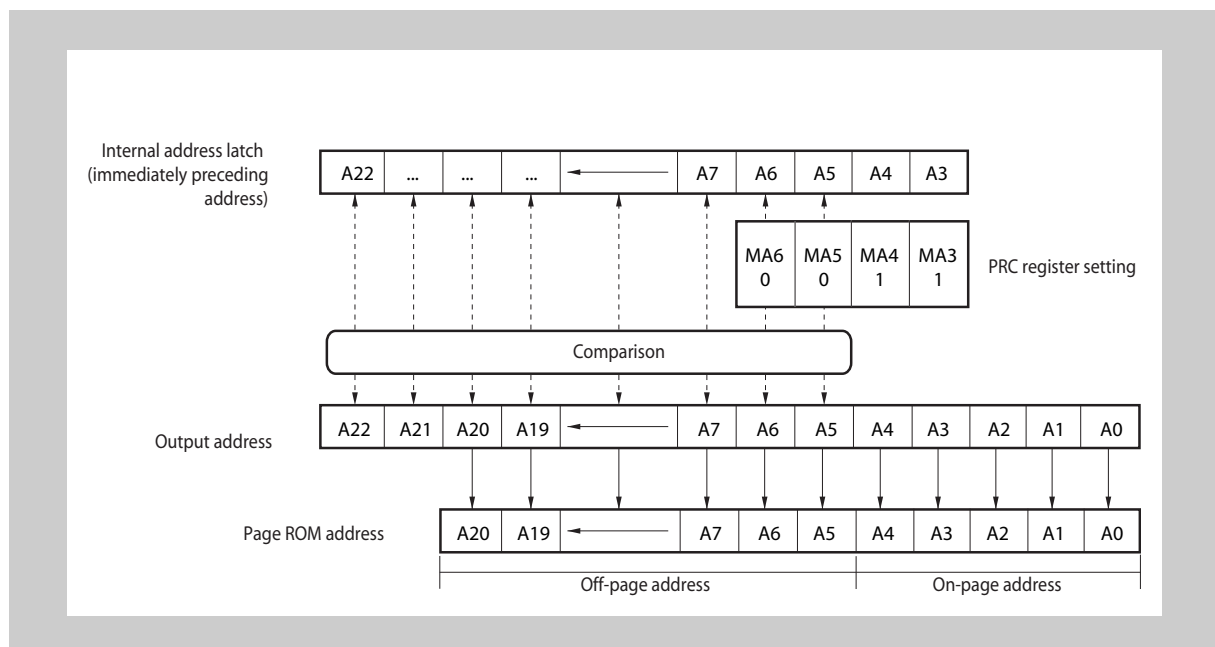


Figure 7-5 16-Mbit page ROM (2 M × 8 bits), page size 32 × 8 bit

www.DataSheet4U.com

### (2) 16-bit data bus width

The page size or the number of continuously readable bits is 8 x 16 bit. To provide 8 addresses, a 3-bit on-page address is required. Therefore, set  $\text{PRC.MA}[6:3] = 0001_{\text{B}}$ .

**Note** For a 16-bit data bus, bit A0 of the output address is not used.

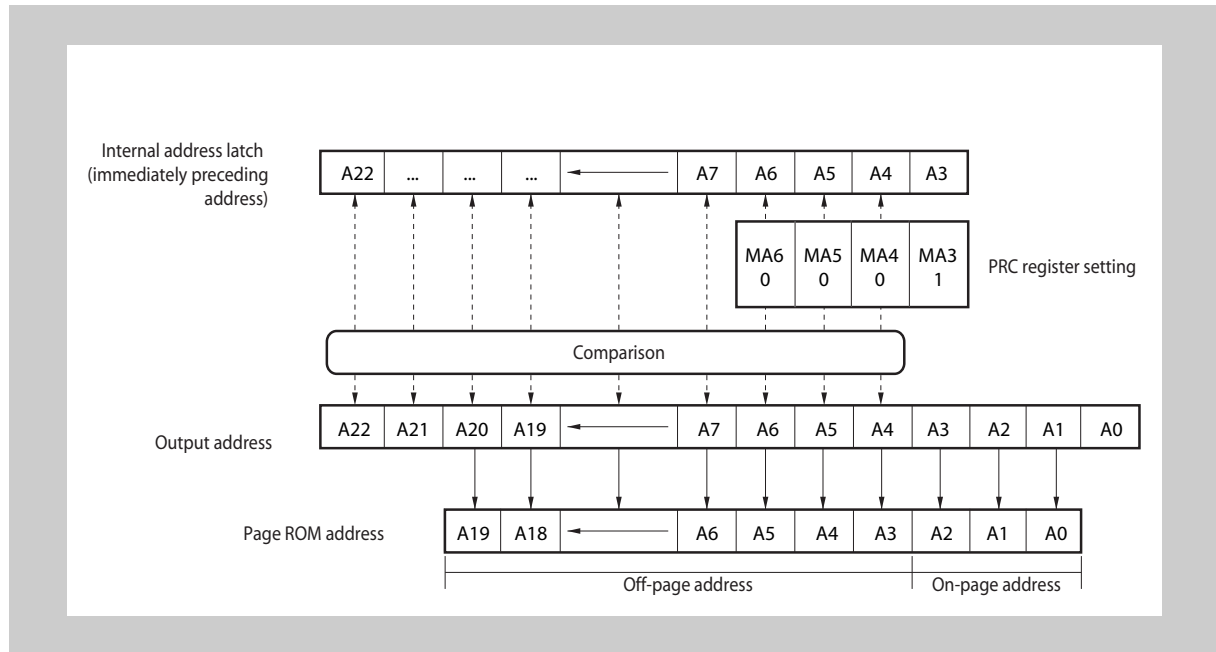


Figure 7-6 16-Mbit page ROM (1 M x 16 bits), page size 8 x 16 bit

**(3) 32-bit data bus width**

The page size or the number of continuously readable bits is 2 x 32 bit. To provide 2 addresses, a 1-bit on-page address is required. Therefore, set PRC.MA[6:3] = 0000<sub>B</sub>.

**Note** For a 32-bit data bus, bits A0 and A1 of the output address are not used.

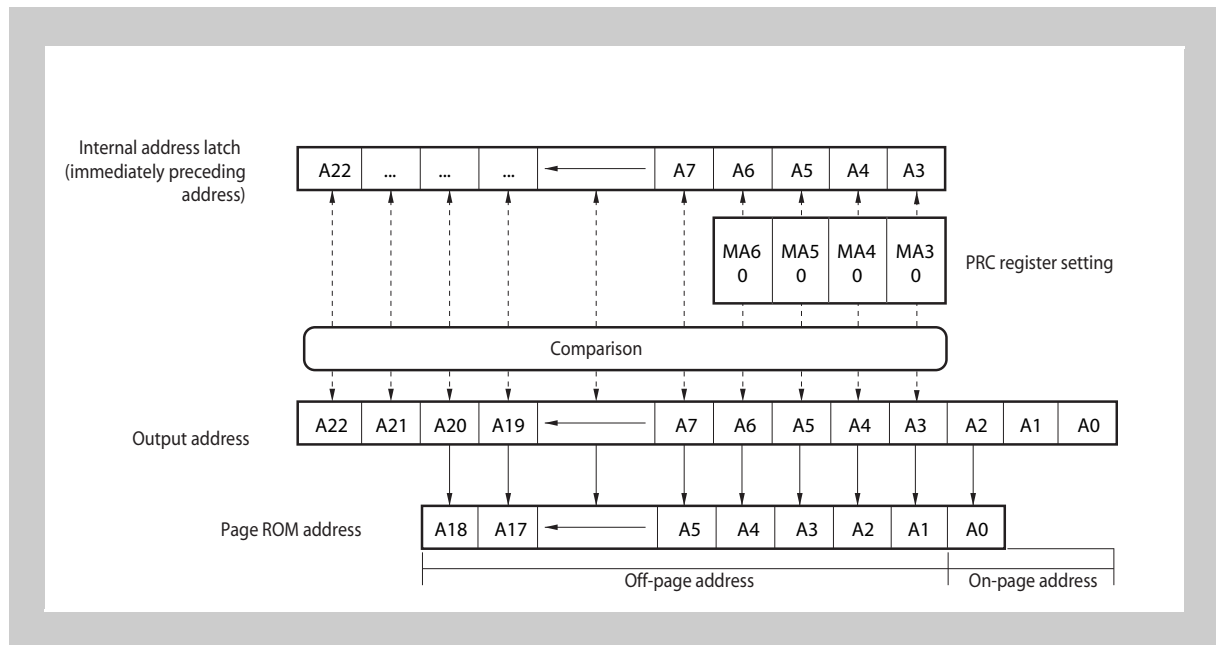


Figure 7-7 16-Mbit page ROM (512 k x 32 bits), page size 2 x 32 bit

## 7.5 Configuration of Memory Access

The microcontroller device supports interfacing with various memory devices. Therefore, the endian format, wait functions and idle state insertions can be configured.

### 7.5.1 Endian format

The endian format is specified with the endian configuration register (BEC). It defines the byte order in which word data is stored.

"Big endian" means that the high-order byte of the word is stored in memory at the lowest address, and the low-order byte at the highest address. Therefore, the base address of the word addresses the high-order byte:

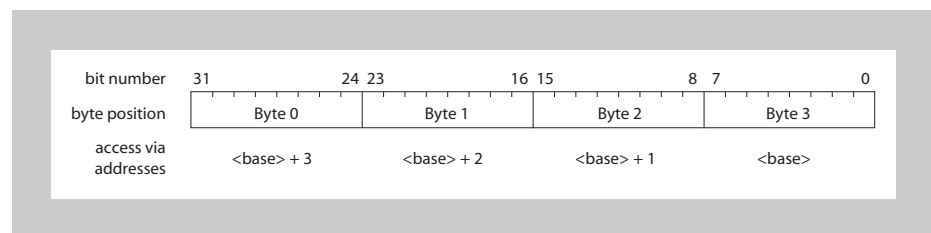


Figure 7-8 Big endian addresses within a word

"Little Endian" means that the low-order byte of the word is stored in memory at the lowest address, and the high-order byte at the highest address. Therefore, the base address of the word addresses the low-order byte:

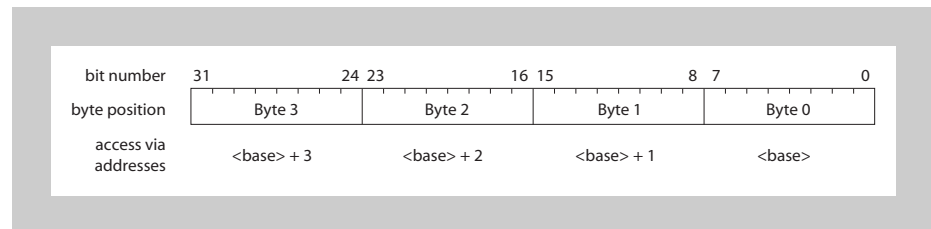


Figure 7-9 Little endian addresses within a word

### 7.5.2 Wait function

Several wait functions are supported:

#### (1) Address setup wait

The microcontroller device allows insertion of address setup wait states before the first access cycle (T1 state). The number of address setup wait states can be set with the address setup wait control register ASC for each CS area.

Address setup wait states can be inserted when accessing SRAM or page ROM.



**(2) Programmable wait function**

With the purpose of realizing easy interfacing with low-speed memory or with I/Os, it is possible to insert up to seven data wait states after the first access cycle (T1 state).

The number of wait states can be specified by data wait control registers DWC0 and DWC1.

For on-page access of a page ROM, wait control is performed according to page ROM configuration register (PRC) setting. The settings of registers DWC0 and DWC1 are neglected.

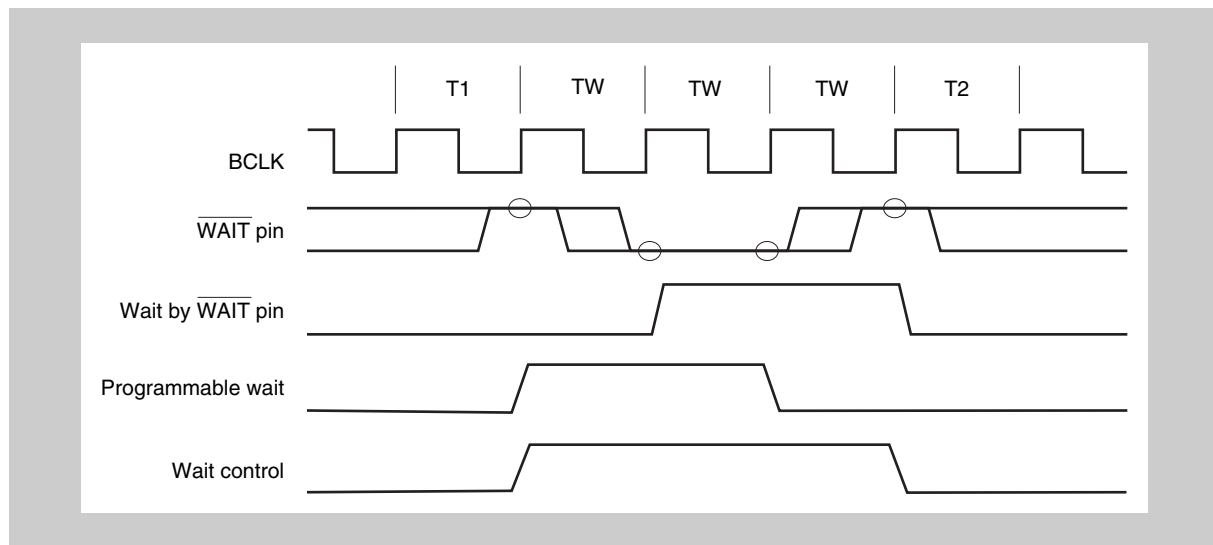
**(3) External wait function**

Each read or write operation takes at least two cycles (T1 and T2). To stretch the access cycle for accessing slow external devices, any number of wait states (TW) can be inserted under external control of the  $\overline{\text{WAIT}}$  signal.

The  $\overline{\text{WAIT}}$  signal can be set asynchronously from the system clock. The  $\overline{\text{WAIT}}$  signal is sampled at the rising edge of the clock in the T1 and TW states. Depending on the level of the  $\overline{\text{WAIT}}$  signal at sampling timing, a wait state is inserted or not.

**(4) Relationship between programmable wait and external wait**

If both programmable wait and external wait ( $\overline{\text{WAIT}}$ ) are applied, an OR relation gives the resulting number of wait cycles. *Figure 7-10* shows that as long as any of the two waits is active, a wait cycle will be performed.



**Figure 7-10** Example of wait insertion

**Note** The circles indicate the sampling timing.

### 7.5.3 Idle state insertion

To facilitate interfacing with low-speed memory devices, an idle state (TI) can be inserted between two bus cycles, that means after the T2 state. Idle states are inserted to meet the data output float delay time on memory read access for each CS space.

Idle states are used to guarantee the interval until the external data bus is released by memory. The next bus cycle is started after the idle state(s).

Idle states can be inserted after T2 state when accessing SRAM, external I/O, external ROM, or page ROM.

The number of idle states can be specified by program using the bus cycle control register (BCC).

## 7.6 External Devices Interface Timing

This section presents examples of write and read operations. The states are abbreviated as:

- T1 and T2 states: Basic states for access.
- TW state: Wait state that is inserted according to the DWC0 and DWC1 register settings and according to the  $\overline{\text{WAIT}}$  input.
- TASW state: Address setting wait state that is inserted according to the ASC register settings.
- TI state: Idle state that is inserted according to the BCC register settings.

**Note** For access to page ROM, see “Page ROM Access Timing” on page 331.

### 7.6.1 Writing to external devices

This section shows typical sequences of writing data to external devices.

#### (1) Write with external wait cycle

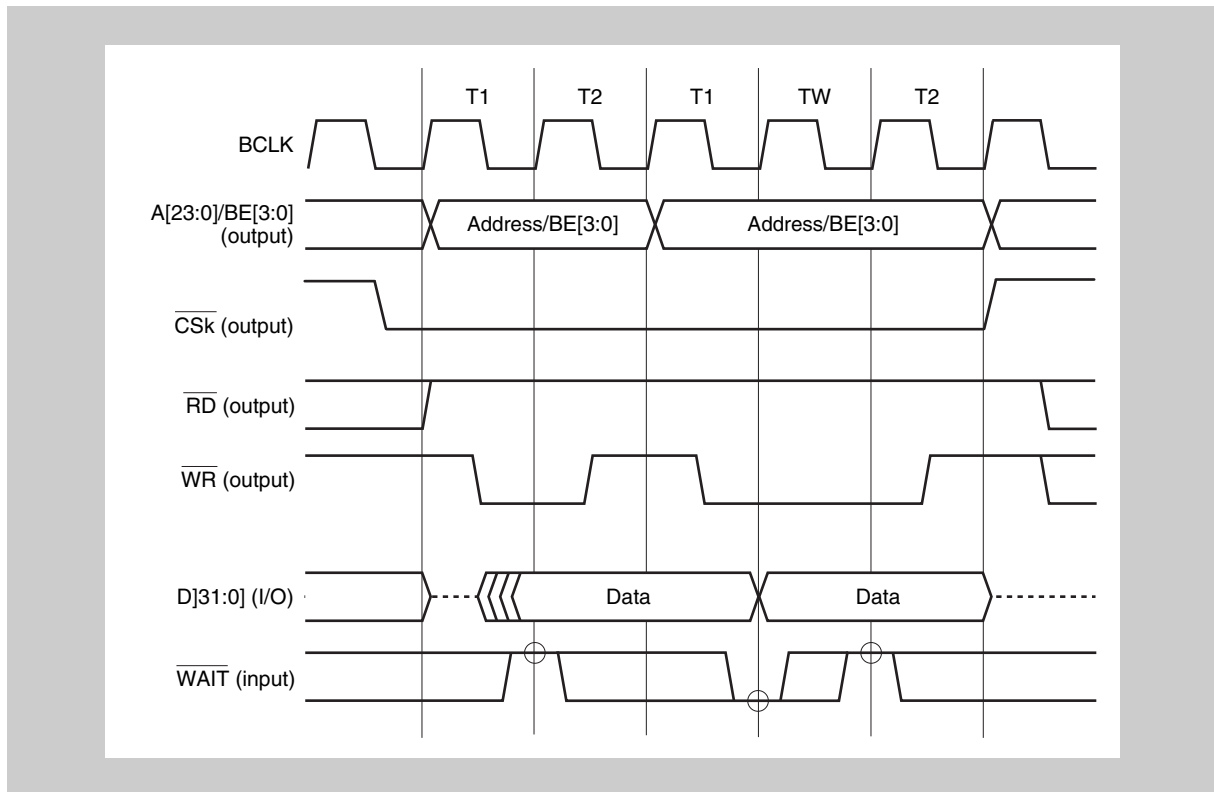


Figure 7-11 Timing: write data

Register settings:

- BCTm.BTk0 = 0 (connected external device is SRAM or external I/O)
- ASC.ACK[1:0] = 00<sub>B</sub> (no address setup wait states inserted)
- DWCm.DWk[2:0] = 000<sub>B</sub> (no programmable data wait states inserted)
- BCC.BCK[1:0] = 00<sub>B</sub> (no idle states inserted)

- Note**
1. The circles indicate the sampling timing.
  2. The broken line indicates the high-impedance state (bus is not driven).

The data has to be stable at the rising edge of the  $\overline{WR}$  signal. For details refer to the Data Sheet.

## (2) Write with address setup wait and idle state insertion

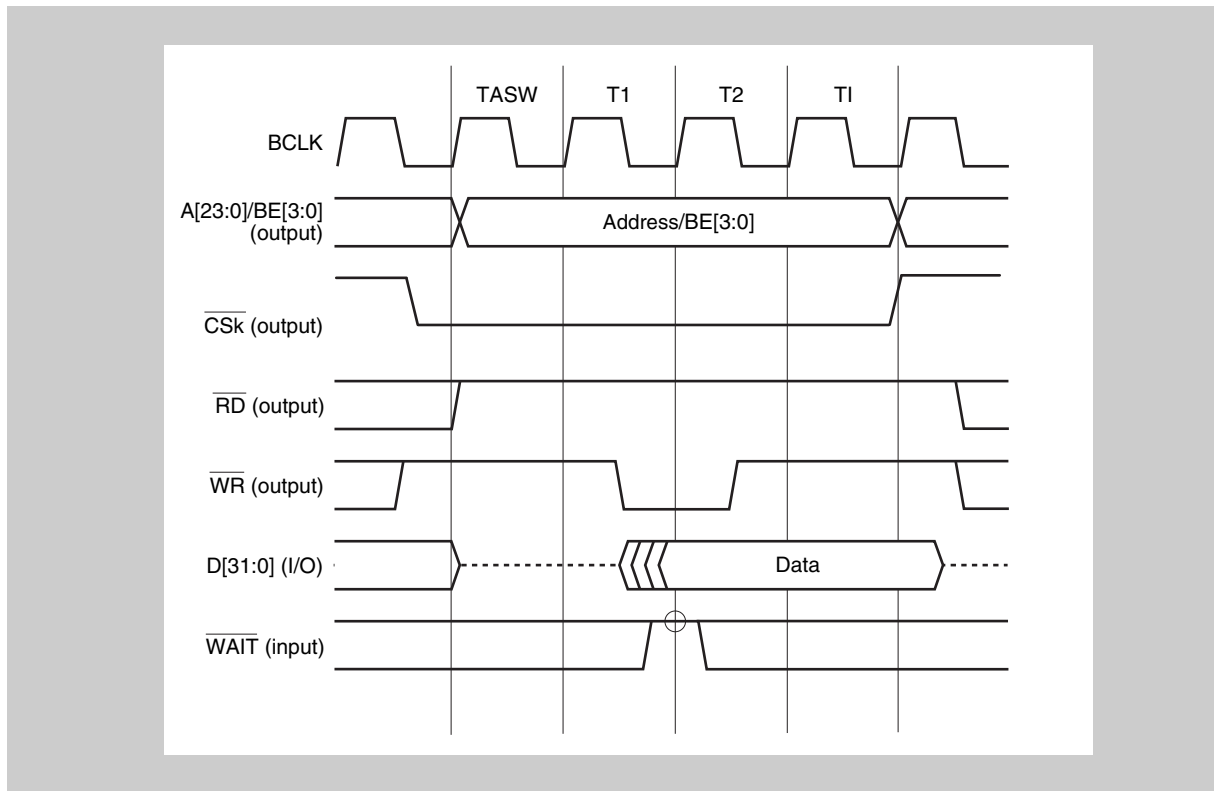


Figure 7-12 Timing: write data with address setup wait and idle state insertion

Register settings:

- BCTm.BTk0 = 0 (connected external device is SRAM or external I/O)
- ASC.Ack[1:0] = 01<sub>B</sub> (one address setup wait state inserted)
- DWcm.DWk[2:0] = 000<sub>B</sub> (no programmable data wait states inserted)
- BCC.BCk[1:0] = 01<sub>B</sub> (one idle state inserted)

- Note**
1. The circles indicate the sampling timing.
  2. The broken line indicates the high-impedance state (bus is not driven).

The data has to be stable at the rising edge of the  $\overline{WR}$  signal. For details refer to the Data Sheet.

### 7.6.2 Reading from external devices

This section shows typical sequences of reading data from external devices.

#### (1) Read with external wait cycle

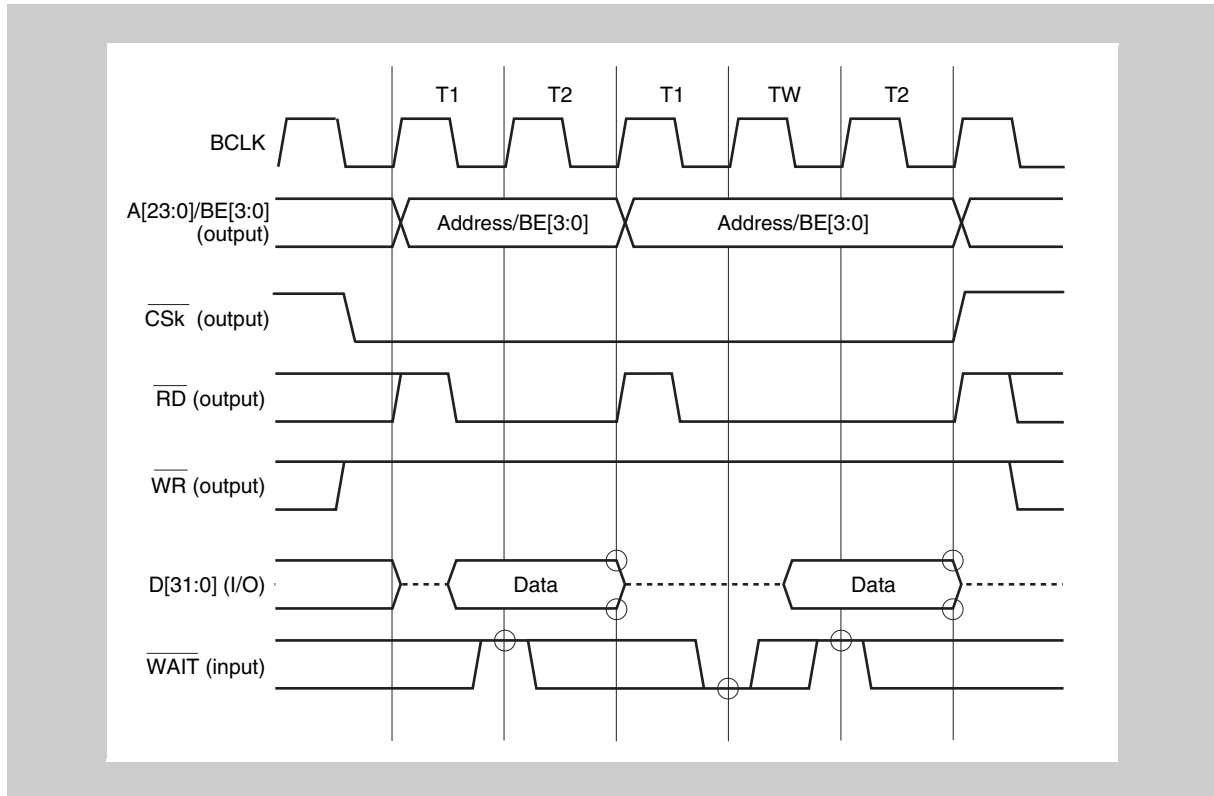


Figure 7-13 Timing: read data

Register settings:

- BCTm.BTk0 = 0 (connected external device is SRAM or external I/O)
- ASC.Ack[1:0] = 00<sub>B</sub> (no address setup wait states inserted)
- DWcm.DWk[2:0] = 000<sub>B</sub> (no programmable data wait states inserted)
- BCC.Bck[1:0] = 00<sub>B</sub> (no idle states inserted)

- Note**
1. The circles indicate the sampling timing.
  2. The broken line indicates the high-impedance state (bus is not driven).

## (2) Read with address setup wait and idle state insertion

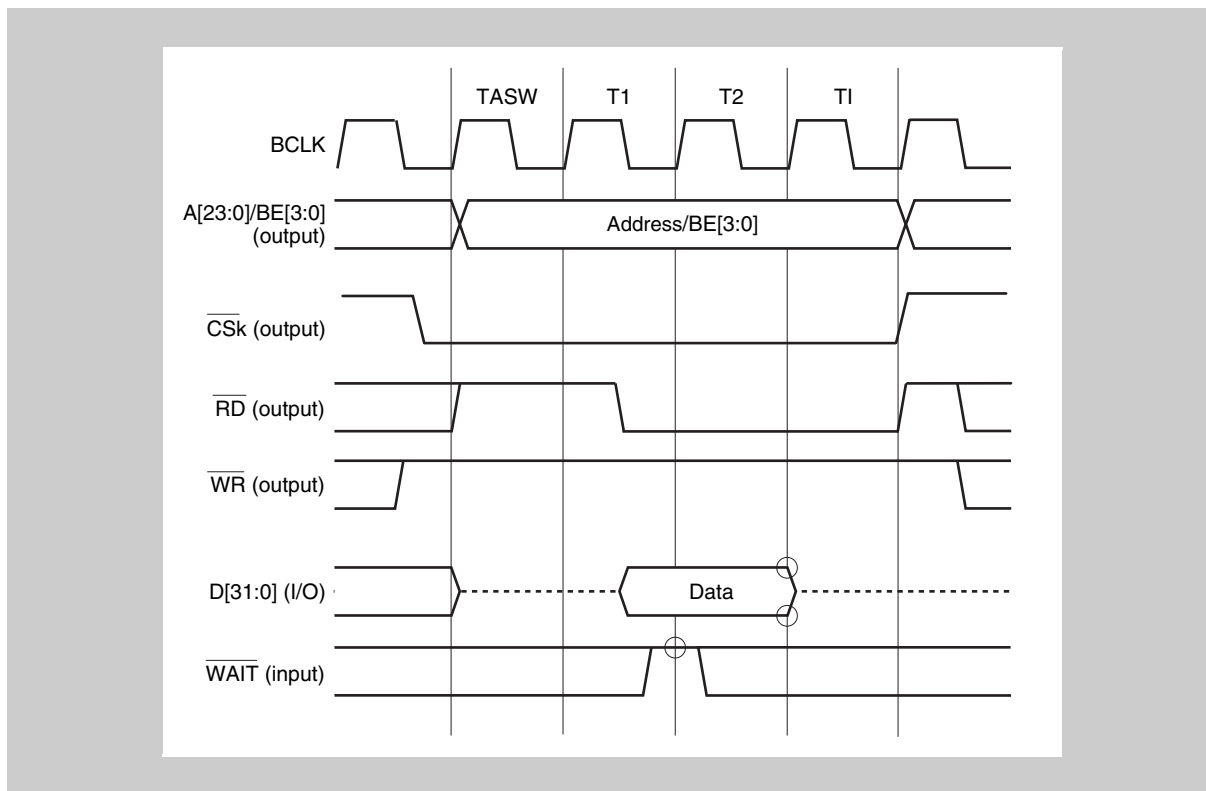


Figure 7-14 Timing: read data with address setup wait and idle state insertion

Register settings:

- BCTm.BTk0 = 0 (connected external device is SRAM or external I/O)
- ASC.ACK[1:0] = 01<sub>B</sub> (one address setup wait state inserted)
- DWcm.DWk[2:0] = 000<sub>B</sub> (no programmable data wait states inserted)
- BCC.BCk[1:0] = 01<sub>B</sub> (one idle state inserted)

- Note**
1. The circles indicate the sampling timing.
  2. The broken line indicates the high-impedance state (bus is not driven).

### 7.6.3 Read-write operation on external devices

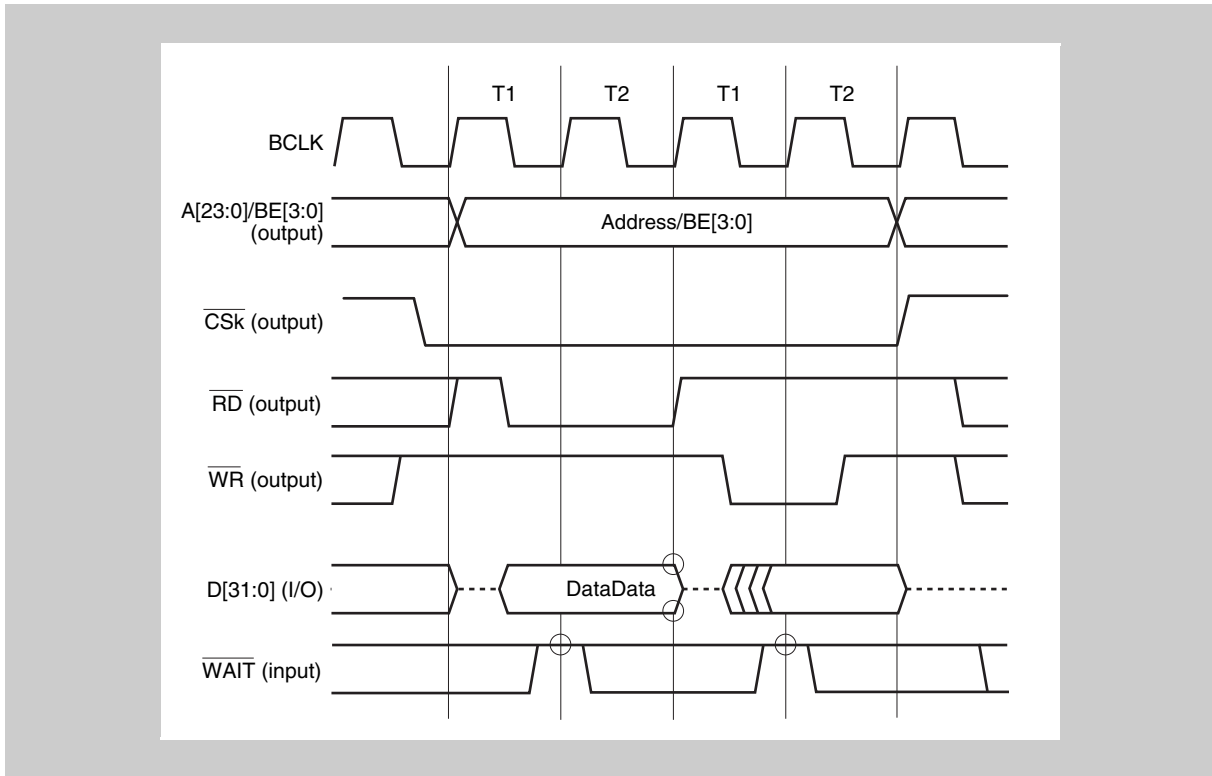


Figure 7-15 Read-write operation

Register settings:

- BCTm.BTk0 = 0 (connected external device is SRAM or external I/O)
- ASC.ACK[1:0] = 00<sub>B</sub> (no address setup wait states inserted)
- DWcm.DWk[2:0] = 000<sub>B</sub> (no programmable data wait states inserted)
- BCC.BCk[1:0] = 00<sub>B</sub> (no idle states inserted)

- Note**
1. The circles indicate the sampling timing.
  2. The broken line indicates the high-impedance state (bus is not driven).

The data has to be stable at the rising edge of the  $\overline{WR}$  signal. For details refer to the Data Sheet.

## 7.6.4 Write-read operation on external devices

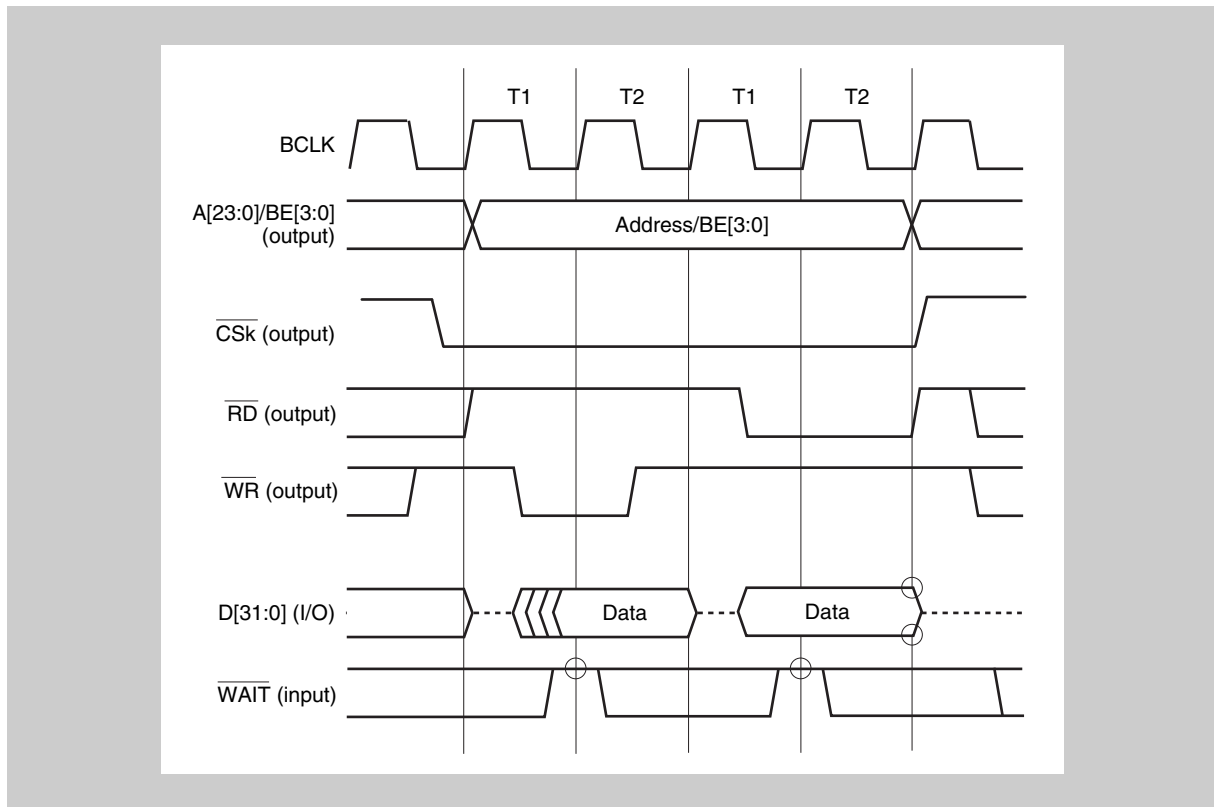


Figure 7-16 Write-read operation

Register settings:

- BCTm.BTk0 = 0 (connected external device is SRAM or external I/O)
- ASC.ACK[1:0] = 00<sub>B</sub> (no address setup wait states inserted)
- DWCm.DWk[2:0] = 000<sub>B</sub> (no programmable data wait states inserted)
- BCC.BCk[1:0] = 00<sub>B</sub> (no idle states inserted)

- Note**
1. The circles indicate the sampling timing.
  2. The broken line indicates the high-impedance state (bus is not driven).

The data has to be stable at the rising edge of the  $\overline{WR}$  signal. For details refer to the Data Sheet.



## 7.7 Page ROM Access Timing

This section presents examples of read operations on page ROM. The states are abbreviated as:

- T1 and T2 states: Basic states for access.
- TW state: Wait state that is inserted according to the DWC0 and DWC1 register settings and according to the  $\overline{\text{WAIT}}$  input.
- TOW state: Wait state that is inserted according to the PRC.PRW[2:0] settings and according to the WAIT input.
- TO1 and TO2: On-page states
- TASW state: Address setting wait state that is inserted according to the ASC register settings.
- TI state: Idle state that is inserted according to the BCC register settings.

### 7.7.1 Half word/word access with 8-bit bus or word access with 16-bit bus

#### (1) Read operation

Note that during on-page access, less data wait states are inserted than during off-page access.

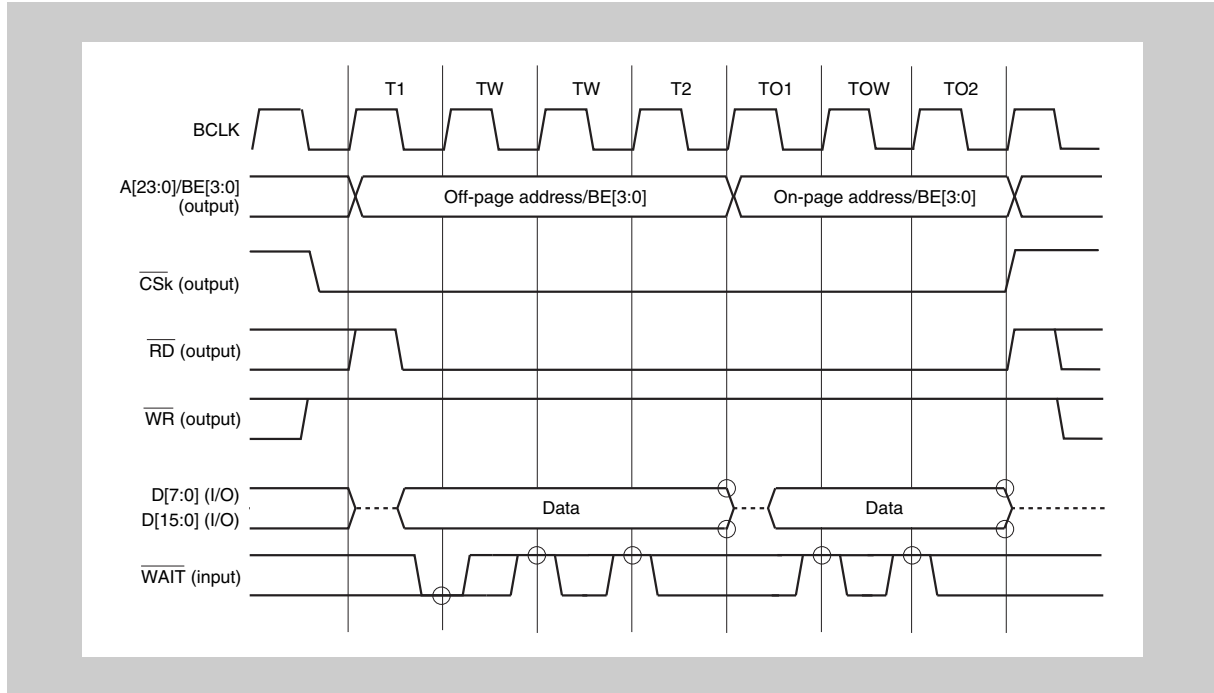


Figure 7-17 Reading page ROM

- Register settings:
- BCTm.BTk0 = 1 (connected external device is page ROM)
- ASC.Ack[1:0] = 00<sub>B</sub> (no address setup wait states inserted)
- DWcm.DWk[2:0] = 010<sub>B</sub> (two programmable data wait states for off-page access inserted)
- PRC.PRW[2:0] = 001<sub>B</sub> (one programmable data wait state for on-page access inserted)
- BCC.Bck[1:0] = 00<sub>B</sub> (no idle states inserted)

- Note**
1. The circles indicate the sampling timing.
  2. The broken line indicates the high-impedance state (bus is not driven).

(2) Read operation with address setup wait states and idle state insertion

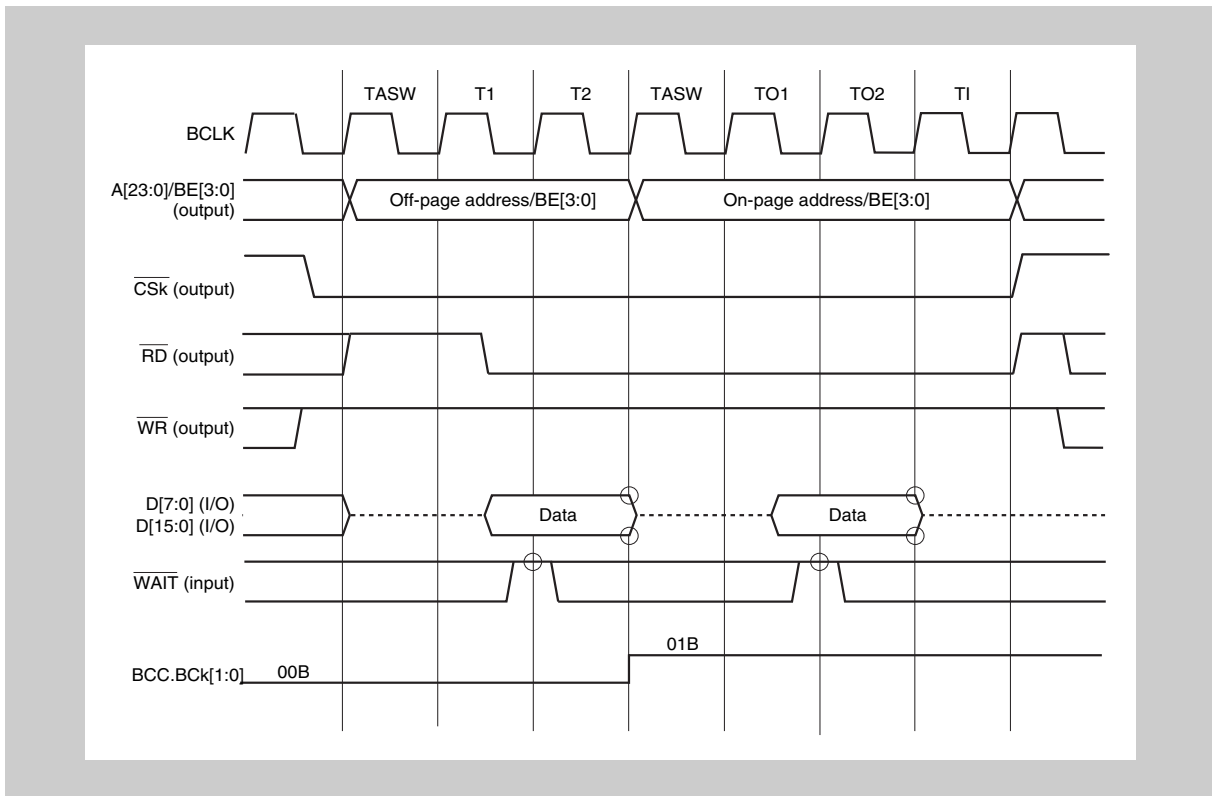


Figure 7-18 Reading page ROM with address setup wait states and idle state insertion

Register settings:

- BCTm.BTk0 = 1 (connected external device is page ROM)
- ASC.ACk[1:0] = 01<sub>B</sub> (one address setup wait state inserted)
- DWcm.DWk[2:0] = 000<sub>B</sub> (no programmable data wait states for off-page access inserted)
- PRC.PRW[2:0] = 000<sub>B</sub> (no programmable data wait states for on-page access inserted)
- BCC.BCk[1:0] : see Figure 7-18

- Note**
1. The circles indicate the sampling timing.
  2. The broken line indicates the high-impedance state (bus is not driven).

## 7.7.2 Byte access with 8-bit bus or byte/half word access with 16-bit bus

### (1) Read operation

Note that during on-page access, less data wait states are inserted than during off-page access.

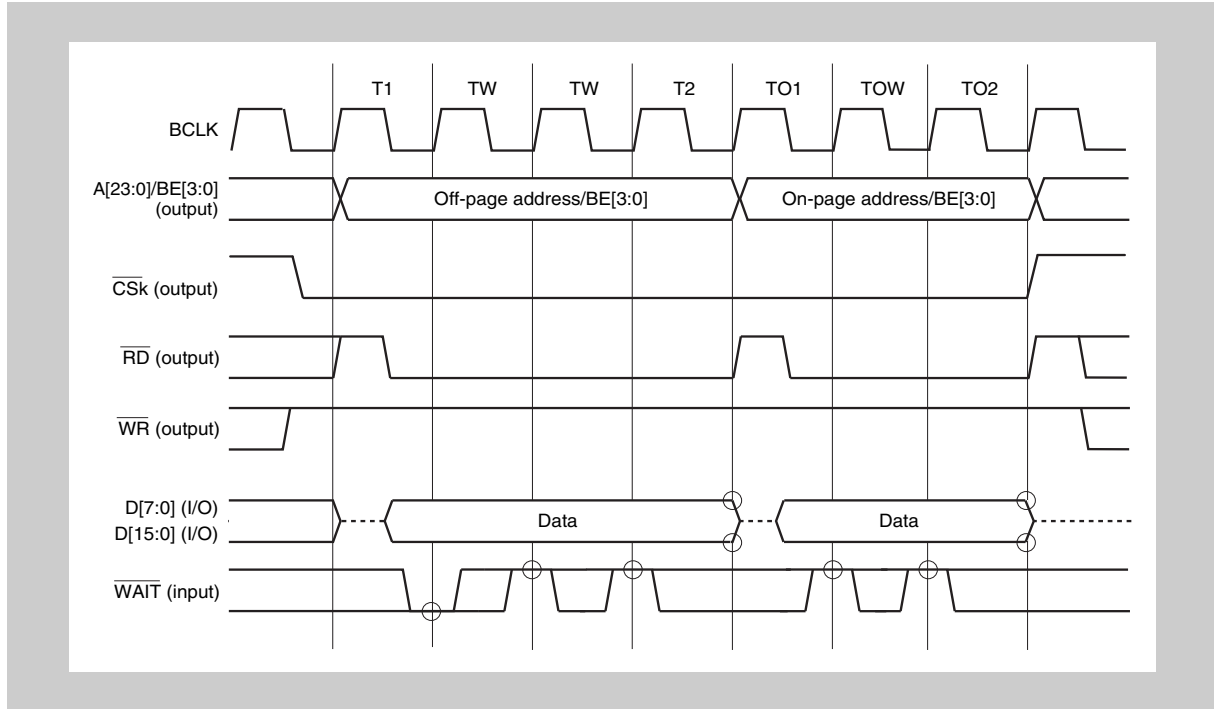


Figure 7-19 Reading page ROM

Register settings:

- BCTm.BTk0 = 1 (connected external device is page ROM)
- ASC.ACK[1:0] = 00<sub>B</sub> (no address setup wait states inserted)
- DWCm.DWk[2:0] = 010<sub>B</sub> (two programmable data wait states for off-page access inserted)
- PRC.PRW[2:0] = 001<sub>B</sub> (one programmable data wait state for on-page access inserted)
- BCC.BCK[1:0] = 00<sub>B</sub> (no idle states inserted)

- Note**
1. The circles indicate the sampling timing.
  2. The broken line indicates the high-impedance state (bus is not driven).

(2) Read operation with address setup wait states and idle state insertion

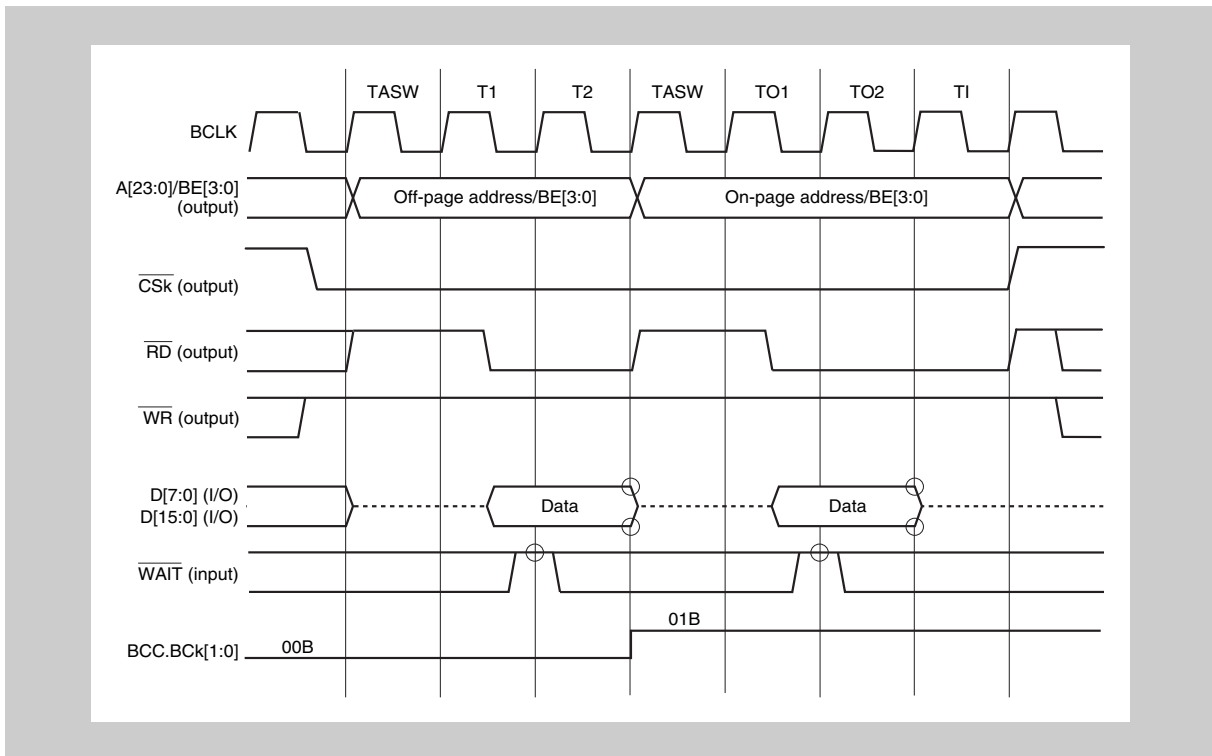


Figure 7-20 Reading page ROM with address setup wait states and idle state insertion

Register settings:

- BCTm.BTk0 = 1 (connected external device is page ROM)
- ASC.ACK[1:0] = 01<sub>B</sub> (one address setup wait state inserted)
- DWcm.DWk[2:0] = 000<sub>B</sub> (no programmable data wait states for off-page access inserted)
- PRC.PRW[2:0] = 000<sub>B</sub> (no programmable data wait states for on-page access inserted)
- BCC.BCk[1:0] : see Figure 7-20

- Note**
1. The circles indicate the sampling timing.
  2. The broken line indicates the high-impedance state (bus is not driven).

## 7.8 Data Access Order

### 7.8.1 Access to 8-bit data busses

This section shows how byte, half word and word accesses are performed for an 8-bit data bus.

#### (1) Byte access (8 bits)

##### (a) Little endian

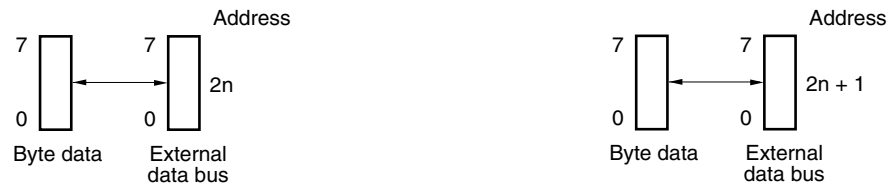


Figure 7-21 Left: Access to even address ( $2n$ )  
Right: Access to odd address ( $2n + 1$ )

##### (b) Big endian



Figure 7-22 Left: Access to even address ( $2n$ )  
Right: Access to odd address ( $2n + 1$ )

(2) Halfword access (16 bits)

(a) Little endian



Figure 7-23 Left: Access to even address (2n)  
Right: Access to odd address (2n + 1)

(b) Big endian



Figure 7-24 Left: Access to even address (2n)  
Right: Access to odd address (2n + 1)

(3) Word access (32 bits)

(a) Little endian

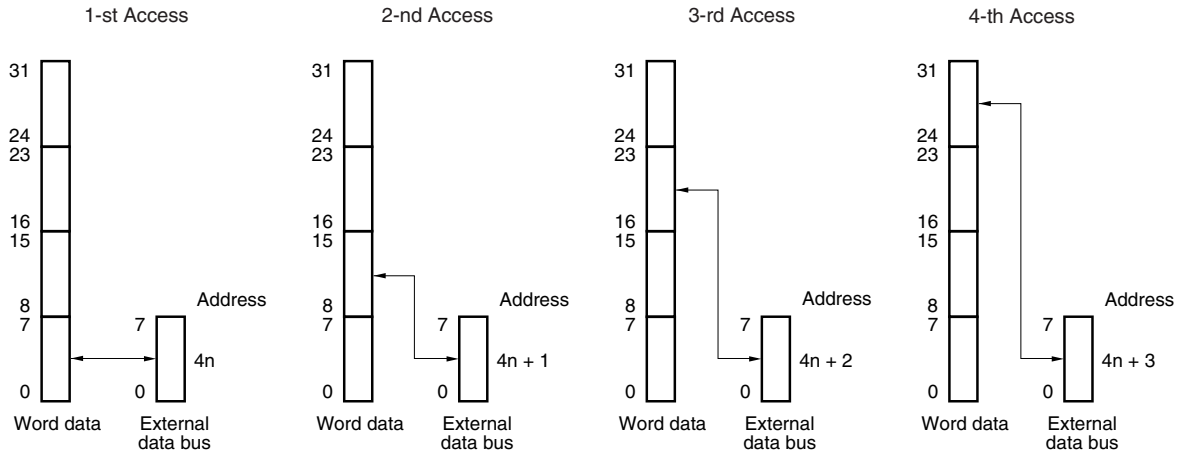


Figure 7-25 Access to address  $4n$

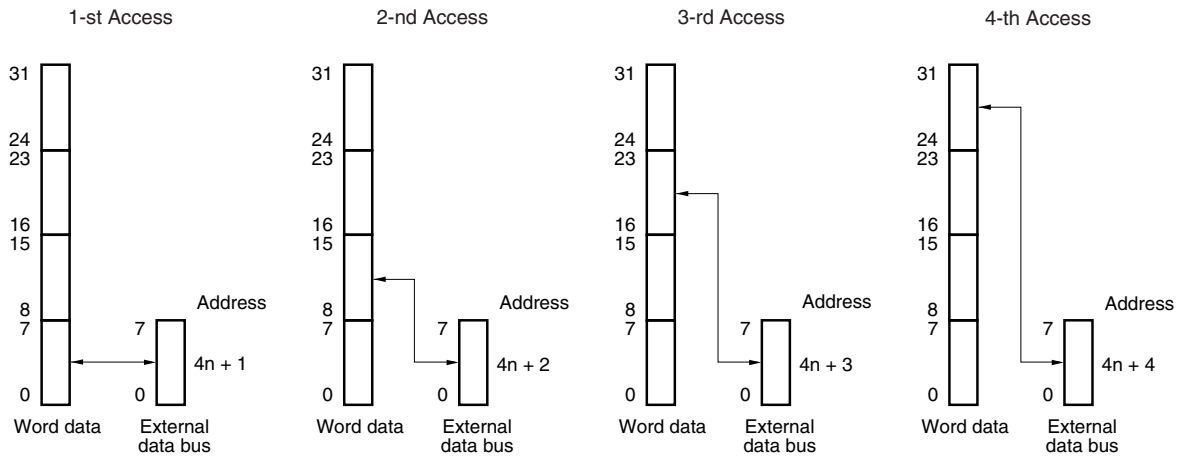


Figure 7-26 Access to address  $4n + 1$



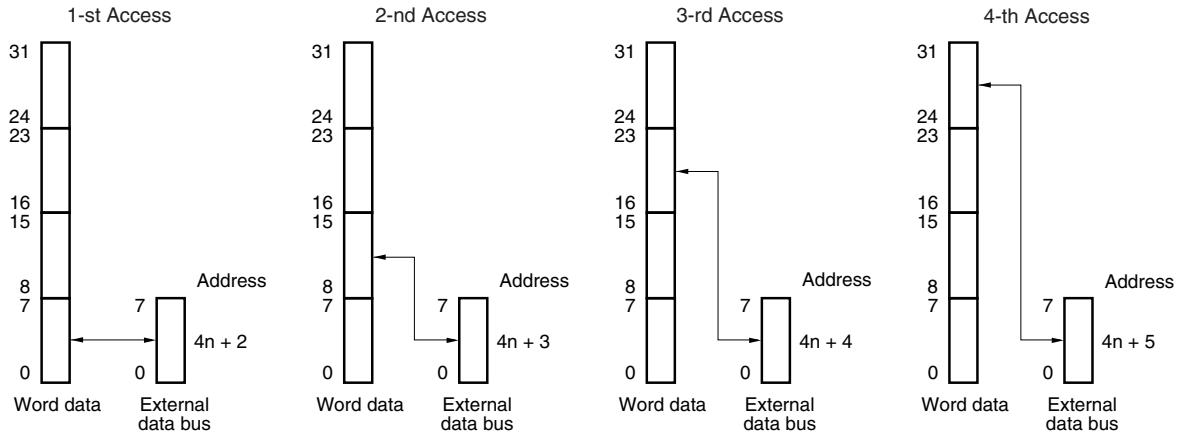


Figure 7-27 Access to address  $4n + 2$

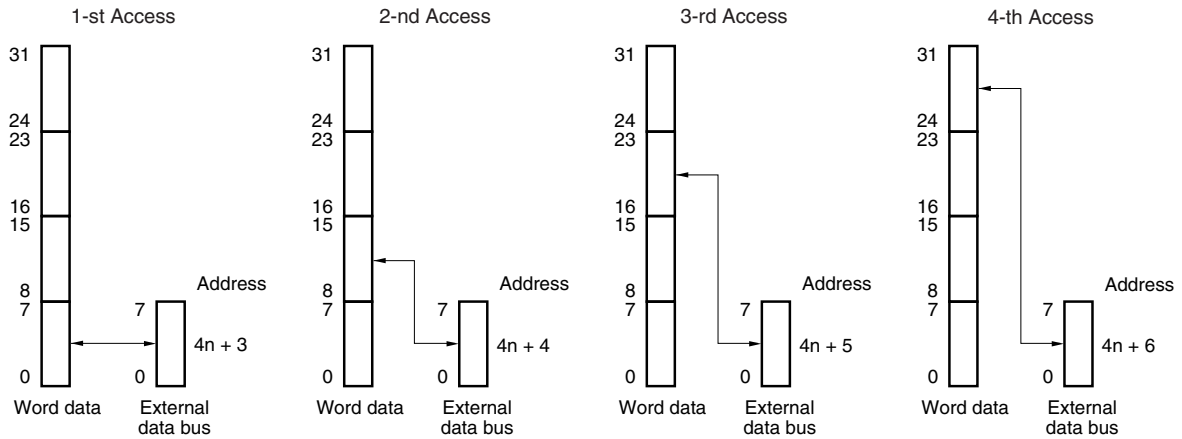


Figure 7-28 Access to address  $4n + 3$

(b) Big endian

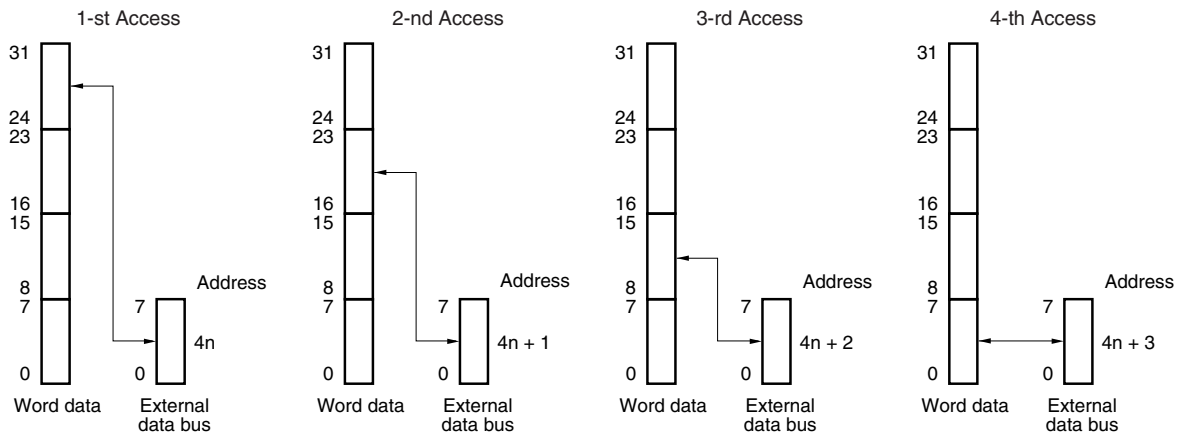


Figure 7-29 Access to address  $4n$

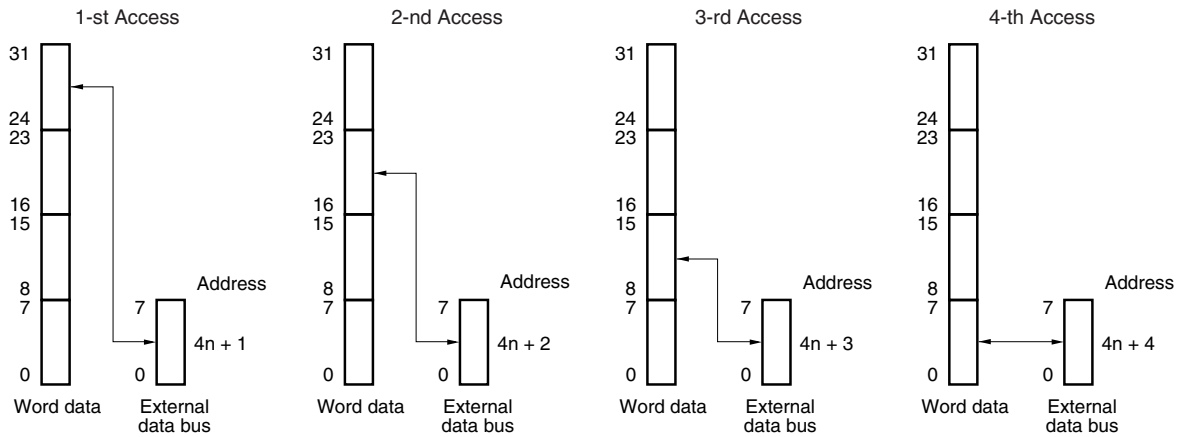


Figure 7-30 Access to address  $4n + 1$

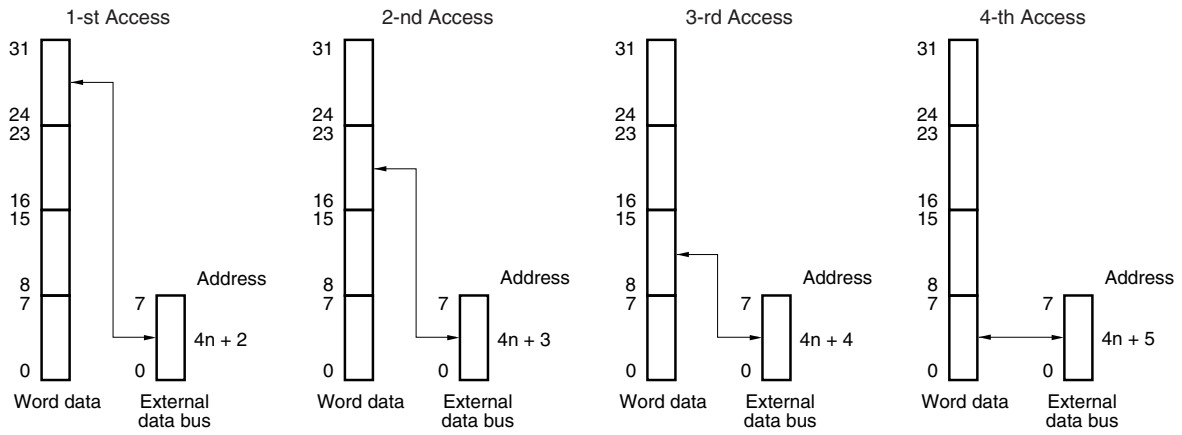


Figure 7-31 Access to address  $4n + 2$

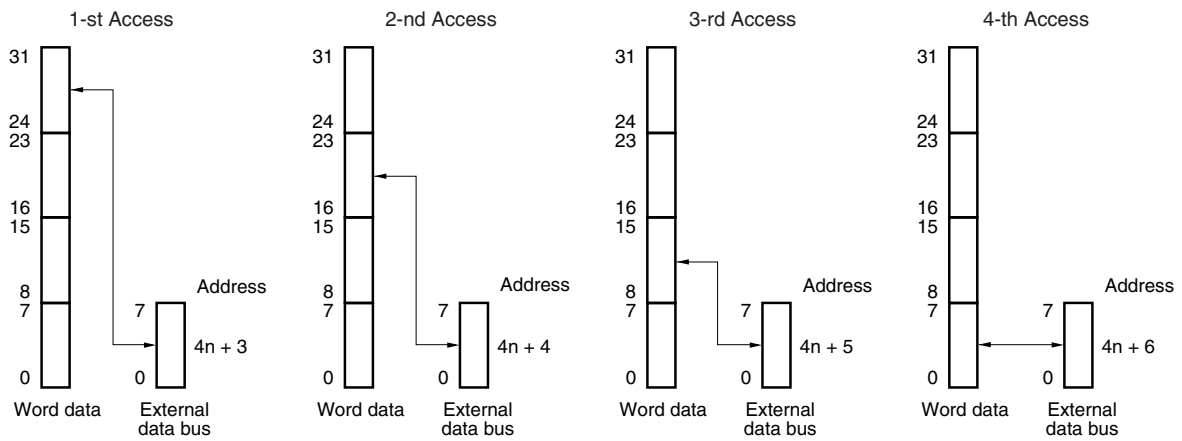


Figure 7-32 Access to address  $4n + 3$

### 7.8.2 Access to 16-bit data busses

This section shows how byte, half word and word accesses are performed for a 16 bit data bus.

Access all data in order starting from the lower order side.

**(1) Byte access (8 bits)**

**(a) Little endian**



**Figure 7-33** Left: Access to even address ( $2n$ )  
Right: Access odd address ( $2n + 1$ )

**(b) Big endian**



**Figure 7-34** Left: Access to even address ( $2n$ )  
Right: Access to odd address ( $2n + 1$ )

(2) Halfword access (16 bits)

(a) Little endian

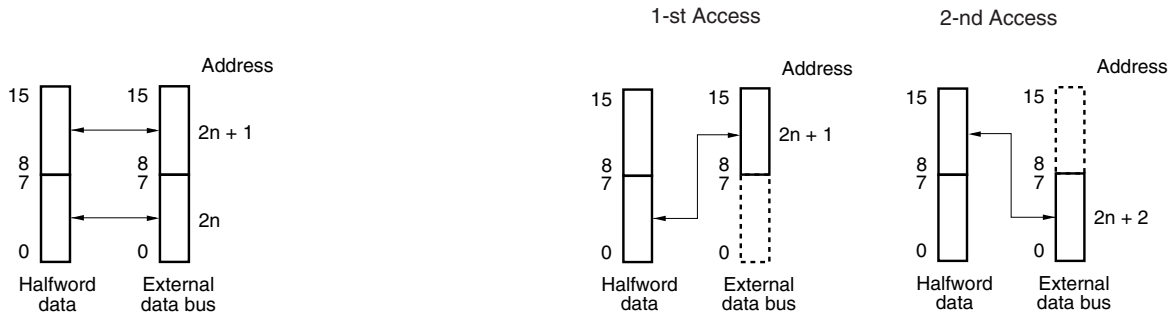


Figure 7-35 Left: Access to even address (2n)  
Right: Access to odd address (2n + 1)

(b) Big endian

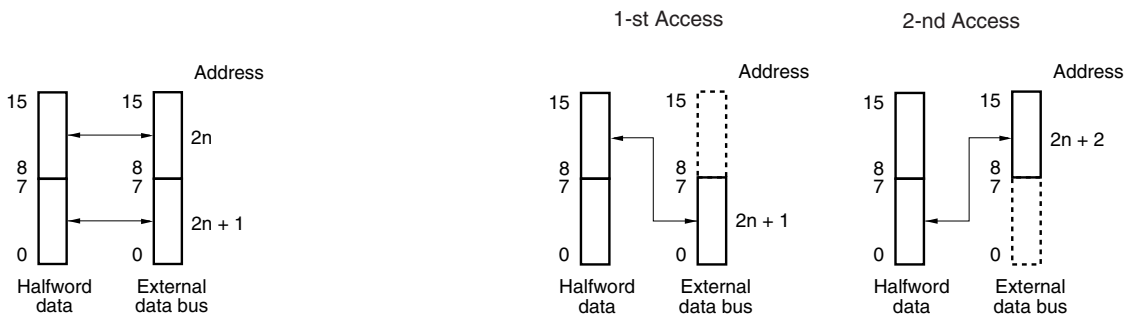


Figure 7-36 Left: Access to even address (2n)  
Right: Access to odd address (2n + 1)

(3) Word access (32 bits)

(a) Little endian

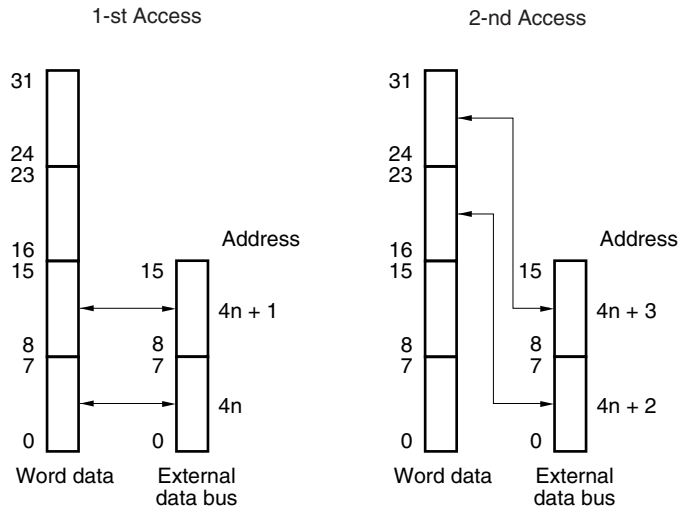


Figure 7-37 Access to address  $4n$

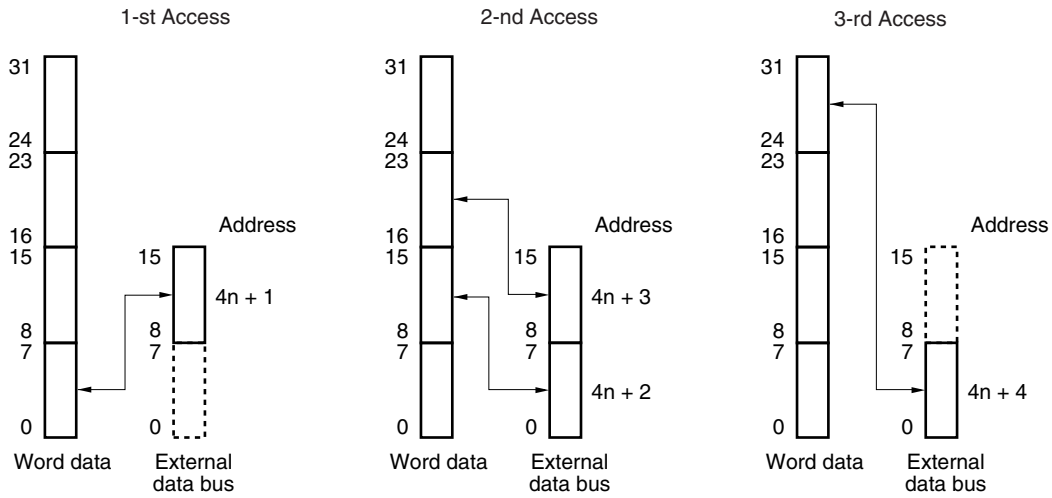


Figure 7-38 Access to address  $4n + 1$

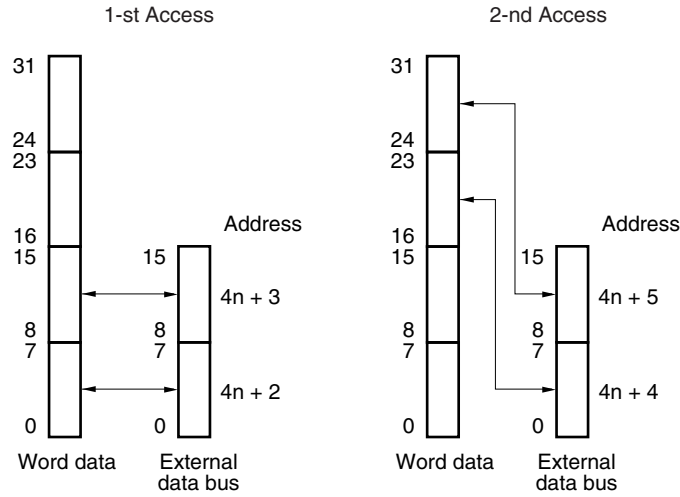


Figure 7-39 Access to address  $4n + 2$

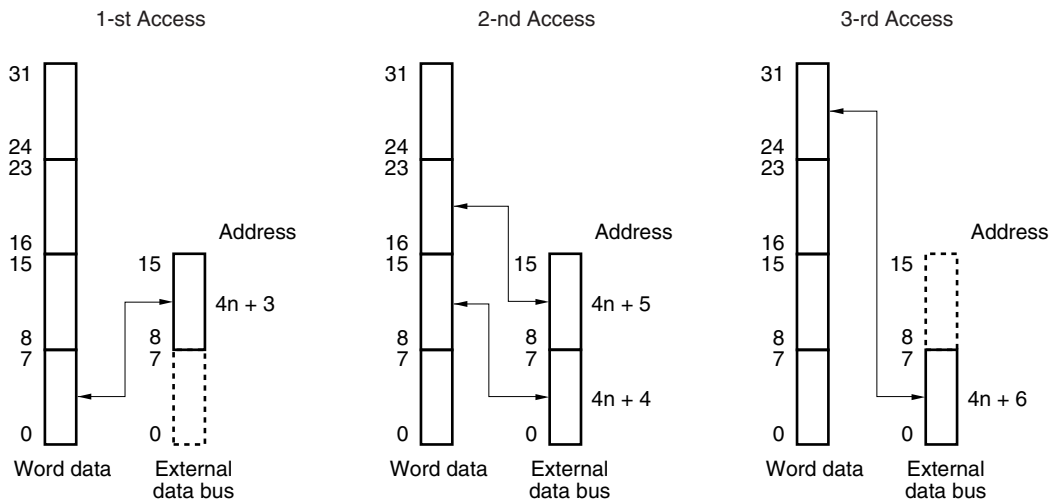


Figure 7-40 Access to address  $4n + 3$

(b) Big endian

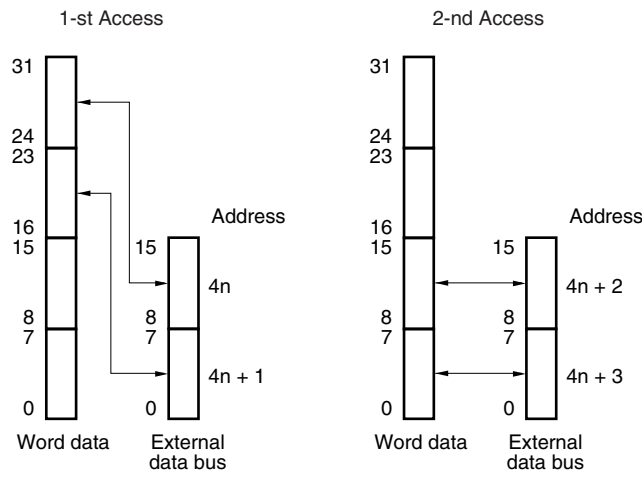


Figure 7-41 Access to address  $4n$

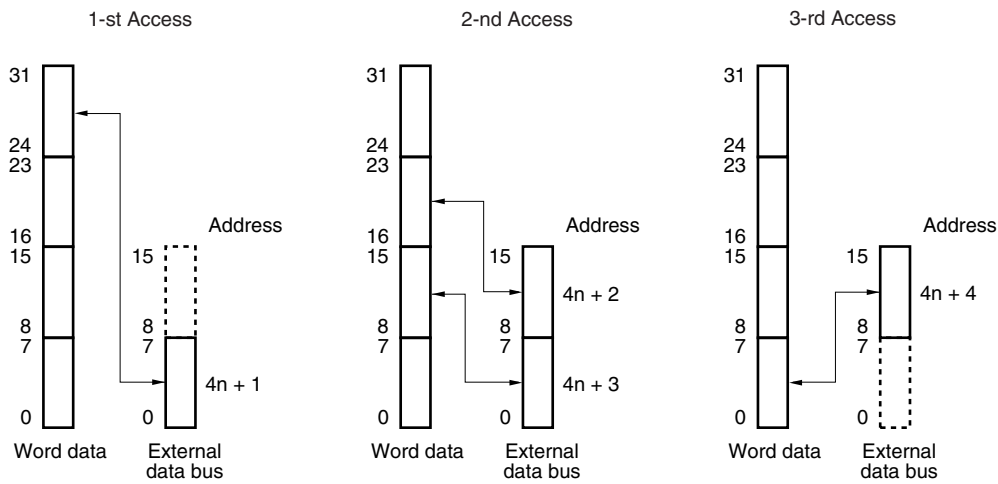


Figure 7-42 Access to address  $4n + 1$



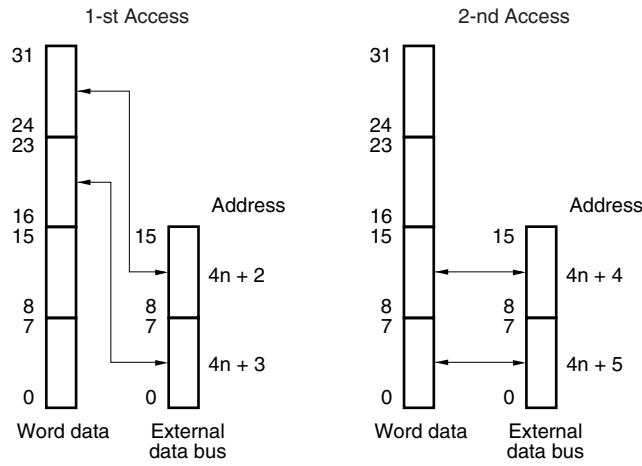


Figure 7-43 Access to address  $4n + 2$

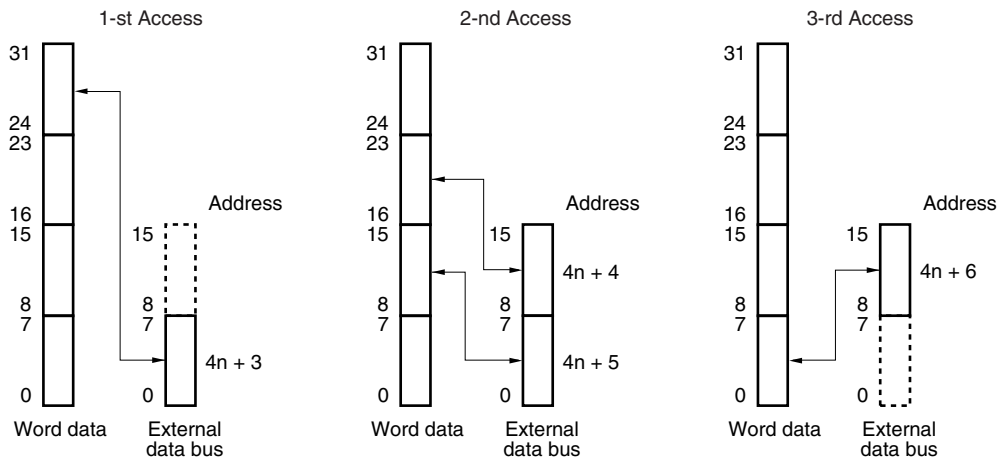


Figure 7-44 Access to address  $4n + 3$



## Chapter 8 DMA Controller (DMAC)

The microcontroller includes a direct memory access (DMA) controller (DMAC) that executes and controls DMA transfers.

**Note** Throughout this chapter, the individual channels of the DMA Controller are identified by “n”.

The DMAC controls data transfer between memory and I/O or among I/Os, based on DMA requests issued by the on-chip peripheral I/O, or software triggers.

### 8.1 Features

- Four independent DMA channels
- Transfer units: 8, 16 and 32 bits
- Maximum transfer count: 65536 ( $2^{16}$ )
- Two transfer modes independently selectable for each DMA channel
  - Single transfer mode
  - Block transfer mode
- Transfer requests
  - Requests by dedicated peripheral interrupts of
    - $\mu$ PD70F3421,  $\mu$ PD70F3422,  $\mu$ PD70F3423: CSIB0, CSIB1, UARTA0, UARTA1, IIC0, IIC1, TMG0, TMP0, TMP1, TMZ0, TMZ1, TMZ2, ADC
    - $\mu$ PD70F3424,  $\mu$ PD70F3425,  $\mu$ PD70F3426A,  $\mu$ PD70F3427: CSIB0...CSIB2, UARTA0, UARTA1, IIC0, IIC1, TMG0, TMP0, TMP1, TMZ0, TMZ1, TMZ2, LCDIF, ADC
  - Requests by software trigger
- Transfer objects

Source \ Destination	Internal RAM	VSB Flash ( $\mu$ PD70F3426A)	VSB RAM ( $\mu$ PD70F3426A)	external memory ( $\mu$ PD70F3427)	Peripherals
Internal RAM	–	√	√	√	√
VSB Flash ( $\mu$ PD70F3426A)	–	–	–	–	–
VSB RAM ( $\mu$ PD70F3426A)	√	√	√	–	√
external memory ( $\mu$ PD70F3427)	√	–	–	√	√
Peripherals	√	√	√	√	√

**Caution** Special care must be taken when using the internal RAM as DMA source or destination. Refer to “*Simultaneous program execution and DMA transfer with internal RAM*” on page 374.

---

- DMA transfer completion flag
- Automatic restart function
- Forcible DMA termination by NMI

## 8.2 Peripheral and CPU Clock Settings

In order to ensure safe capture of DMA trigger signals from the involved peripheral functions, a certain minimum relation between the operation clock of the concerned peripheral function and the CPU system has to be regarded.

In the following table the minimum CPU system clock frequency  $f_{VBCLK}$  is given for all peripheral functions operation clocks.

Table 8-1 Peripheral functions and CPU system clocks for DMA transfers (1/2)

Peripheral	Clock controller settings	SPCLKn, PCLKn configuration		Input clock [MHz]	Minimum $f_{VBCLK}$ [MHz]
		Peripheral clock	Source		
ADC	SCC = 00 <sub>H</sub>	SPCLK0	MainOsc	4	6.00
	SCC = 01 <sub>H</sub>		PLL/2	16	24.00
	SCC = 03 <sub>H</sub> SCPS.SPSPS[2:0] = 011 <sub>B</sub> SSCG: 64 MHz		$f_{SSCGPS}$	16	24.00
	SCC = 03 <sub>H</sub> SCPS.SPSPS[2:0] = 011 <sub>B</sub> SSCG: 48 MHz		$f_{SSCGPS}$	12	18.00
UARTA	CKC.PERIC = 0	PCLK1	MainOsc	4	6.00
	CKC.PERIC = 1		PLL/4	8	12.00
		PCLK2	MainOsc	4	6.00
		PCLK3	MainOsc/2	2	3.00
		PCLK4	MainOsc/4	1	1.5
		PCLK5	MainOsc/8	0.5	0.75
		PCLK6	MainOsc/16	0.25	0.38
		PCLK7	MainOsc/32	0.125	0.19
		PCLK8	MainOsc/64	0.0625	0.09
CSIB	CKC.PERIC = 0	PCLK1	MainOsc	4	6.00
	CKC.PERIC = 1		PLL/4	8	12.00
		PCLK2	MainOsc	4	6.00
		PCLK3	MainOsc/2	2	3.00
		PCLK4	MainOsc/4	1	1.50
		PCLK5	MainOsc/8	0.5	0.75
		PCLK6	MainOsc/16	0.250	0.38
	SCC = 00 <sub>H</sub>	SPCLK1 via Baud Rate Generator	MainOsc	max. 4 min. 0.002	6.00 0.003
	SCC = 01 <sub>H</sub>		PLL/4	max. 8 min. 0.002	12.00 0.003
	SCC = 03 <sub>H</sub> SCPS.SPSPS[2:0] = 011 <sub>B</sub> SSCG: 64 MHz		$f_{SSCGPS}/2$	max. 8 min. 0.002	12.00 0.003
	SCC = 03 <sub>H</sub> SCPS.SPSPS[2:0] = 011 <sub>B</sub> SSCG: 48 MHz		$f_{SSCGPS}/2$	max. 8 min. 0.002	12.00 0.003

Table 8-1 Peripheral functions and CPU system clocks for DMA transfers (2/2)

Peripheral	Clock controller settings		SPCLKn, PCLKn configuration		Input clock [MHz]	Minimum f <sub>VBLK</sub> [MHz]
			Peripheral clock	Source		
IIC	ICC = 00 <sub>H</sub>		IICLK	MainOsc	4	6.00
	ICC = 72 <sub>H</sub>			PLL / 4.5	7.11	10.67
	ICC = 71 <sub>H</sub> , SSCG: 64 MHz			(SSCG/2) / 4.5	7.11	10.67
	ICC = 51 <sub>H</sub> , SSCG: 48 MHz			(SSCG/2) / 3.5	6.86	10.29
TMZ	all settings		PCLK1	MainOsc	4	6.00
TMP	CKC.PERIC =	0	PCLK0	MainOsc	4	6.00
		1		PLL/2	16	24.00
TMG	SCC = 00 <sub>H</sub>		SPCLK0	MainOsc	4	6.00
	SCC = 01 <sub>H</sub>			PLL/2	16	24.00
	SCC = 03 <sub>H</sub> SCPS.SPSPS[2:0] = 011 <sub>B</sub> SSCG: 64 MHz			f <sub>SSCGPS</sub>	16	24.00
	SCC = 03 <sub>H</sub> SCPS.SPSPS[2:0] = 011 <sub>B</sub> SSCG: 48 MHz			f <sub>SSCGPS</sub>	12	18.00
LCDIF	SCC = 00 <sub>H</sub>		SPCLK0	MainOsc	4	6.00
			SPCLK1	MainOsc	4	6.00
			SPCLK2	MainOsc	4	6.00
			SPCLK5	MainOsc/	0.5	0.75
	SCC = 01 <sub>H</sub>		SPCLK0	PLL/2	16	24.00
			SPCLK1	PLL/4	8	12.00
			SPCLK2	MainOsc	4	6.00
			SPCLK5	MainOsc/	0.5	0.75
	SCC = 03 <sub>H</sub> SCPS.SPSPS[2:0] = 011 <sub>B</sub> SSCG: 64 MHz		SPCLK0	f <sub>SSCGPS</sub>	16	24.00
			SPCLK1	f <sub>SSCGPS</sub> /2	8	12.00
			SPCLK2	f <sub>SSCGPS</sub> /4	4	6.00
			SPCLK5	f <sub>SSCGPS</sub> /32	0.5	0.75
	SCC = 03 <sub>H</sub> SCPS.SPSPS[2:0] = 011 <sub>B</sub> SSCG: 48 MHz		SPCLK0	f <sub>SSCGPS</sub>	12	18.00
			SPCLK1	f <sub>SSCGPS</sub> /2	6	9
			SPCLK2	f <sub>SSCGPS</sub> /4	3	4.50
			SPCLK5	f <sub>SSCGPS</sub> /32	0.375	0.56

## 8.3 DMAC Registers

### 8.3.1 DMA Source address registers

These registers are used to set the DMA source addresses (28 bits each) for DMA channel n. They are divided into two 16-bit registers, DSAHn and DSALn.

Since these registers are configured as 2-stage FIFO buffer registers, a new source address for DMA transfer can be specified during DMA transfer (refer to “Automatic Restart Function” on page 366).

---

**Caution** DMA transfers of misaligned 16-bit/32-bit data is not supported.

---

#### (1) DSAHn - DMA source address registers Hn

**Access** These registers can be read/written in 16-bit units.

**Address** DSAH0: FFFF F082<sub>H</sub>  
 DSAH1: FFFF F08A<sub>H</sub>  
 DSAH2: FFFF F092<sub>H</sub>  
 DSAH3: FFFF F09A<sub>H</sub>

**Initial Value** undefined

15	14	13	12	11	10	9	8	7	6	5	4	3	2	1	0
IR	0	0	0	SA27	SA26	SA25	SA24	SA23	SA22	SA21	SA20	SA19	SA18	SA17	SA16
R/W	R/W	R/W	R/W	R/W	R/W	R/W	R/W	R/W	R/W	R/W	R/W	R/W	R/W	R/W	R/W

**Table 8-2** DSAHn register contents

Bit position	Bit name	Function
15	IR	Specifies the DMA source address. 0: External memory or On-chip peripheral I/O 1: Internal RAM
11 to 0	SA27 to SA16	Sets the DMA source addresses (A27 to A16). During DMA transfer, it stores the next DMA transfer source address.

**(2) DSALn - DMA source address registers Ln**

**Access** These registers can be read/written in 16-bit units.

**Address** DSAL0: FFFF F080<sub>H</sub>  
 DSAL1: FFFF F088<sub>H</sub>  
 DSAL2: FFFF F090<sub>H</sub>  
 DSAL3: FFFF F098<sub>H</sub>

**Initial Value** undefined

15	14	13	12	11	10	9	8	7	6	5	4	3	2	1	0
SA15	SA14	SA13	SA12	SA11	SA10	SA9	SA8	SA7	SA6	SA5	SA4	SA3	SA2	SA1	SA0
R/W	R/W	R/W	R/W	R/W	R/W	R/W	R/W	R/W	R/W	R/W	R/W	R/W	R/W	R/W	R/W

**Table 8-3 DSALn register contents**

Bit position	Bit name	Function
15 to 0	SA15 to SA0	Sets the DMA source address (A15 to A0). During DMA transfer, it stores the next DMA transfer source address.



### 8.3.2 DMA destination address registers

These registers are used to set the DMA destination address (28 bits each) for DMA channel n. They are divided into two 16-bit registers, DDAHn and DDALn.

Since these registers are configured as 2-stage FIFO buffer registers, a new destination address for DMA transfer can be specified during DMA transfer (refer to “Automatic Restart Function” on page 366).

**Caution** DMA transfers of misaligned 16-bit/32-bit data is not supported.

**(1) DDAHn - DMA destination address registers Hn**

**Access** These registers can be read/written in 16-bit units.

**Address** DDAH0: FFFF F086<sub>H</sub>  
 DDAH1: FFFF F08E<sub>H</sub>  
 DDAH2: FFFF F096<sub>H</sub>  
 DDAH3: FFFF F09E<sub>H</sub>

**Initial Value** undefined

15	14	13	12	11	10	9	8	7	6	5	4	3	2	1	0
IR	0	0	0	DA27	DA26	DA25	DA24	DA23	DA22	DA21	DA20	DA19	DA18	DA17	DA16
R/W	R/W	R/W	R/W	R/W	R/W	R/W	R/W	R/W	R/W	R/W	R/W	R/W	R/W	R/W	R/W

**Table 8-4 DDAHn register contents**

Bit position	Bit name	Function
15	IR	Specifies the DMA destination address. 0: External memory or On-chip peripheral I/O 1: Internal RAM
11 to 0	DA27 to DA16	Sets the DMA destination addresses (A27 to A16). During DMA transfer, it stores the next DMA transfer destination address.

**(2) DDALn - DMA destination address registers Ln**

**Access** These registers can be read/written in 16-bit units.

**Address** DDAL0: FFFF F084<sub>H</sub>  
 DDAL1: FFFF F08C<sub>H</sub>  
 DDAL2: FFFF F094<sub>H</sub>  
 DDAL3: FFFF F09C<sub>H</sub>

**Initial Value** undefined

15	14	13	12	11	10	9	8	7	6	5	4	3	2	1	0
DA15	DA14	DA13	DA12	DA11	DA10	DA9	DA8	DA7	DA6	DA5	DA4	DA3	DA2	DA1	DA0
R/W	R/W	R/W	R/W	R/W	R/W	R/W	R/W	R/W	R/W	R/W	R/W	R/W	R/W	R/W	R/W

**Table 8-5 DDALn register contents**

Bit position	Bit name	Function
15 to 0	DA15 to DA0	Sets the DMA destination address (A15 to A0). During DMA transfer, it stores the next DMA transfer destination address.

### 8.3.3 DBCn - DMA transfer count registers

These 16-bit registers are used to set the transfer counts for DMA channels n. They store the remaining transfer counts during DMA transfer.

Since these registers are configured as 2-stage FIFO buffer registers, a new DMA transfer count for DMA transfer can be specified during DMA transfer (refer to “Automatic Restart Function” on page 366).

During DMA transfer these registers are decremented by 1 for each transfer that is performed. DMA transfer is terminated when an underflow occurs (from 0 to FFFFH). On terminal count these registers are rewritten with the value that was set to the DBCn master register before.

**Access** These registers can be read/written in 16-bit units.

**Address** DBC0: FFFF F0C0<sub>H</sub>  
 DBC1: FFFF F0C2<sub>H</sub>  
 DBC2: FFFF F0C4<sub>H</sub>  
 DBC3: FFFF F0C6<sub>H</sub>

**Initial Value** undefined

15	14	13	12	11	10	9	8	7	6	5	4	3	2	1	0
BC15	BC14	BC13	BC12	BC11	BC10	BC9	BC8	BC7	BC6	BC5	BC4	BC3	BC2	BC1	BC0
R/W	R/W	R/W	R/W	R/W	R/W	R/W	R/W	R/W	R/W	R/W	R/W	R/W	R/W	R/W	R/W

Table 8-6 DBCn register contents

Bit position	Bit name	Function										
15 to 0	BC15 to BC0	Sets the transfer count. It stores the remaining transfer count during DMA transfer. <table border="1" style="margin-left: 20px;"> <thead> <tr> <th>DBCn</th> <th>States</th> </tr> </thead> <tbody> <tr> <td>0000H</td> <td>Transfer count 1 or remaining transfer count</td> </tr> <tr> <td>0001H</td> <td>Transfer count 2 or remaining transfer count</td> </tr> <tr> <td>:</td> <td>:</td> </tr> <tr> <td>FFFFH</td> <td>Transfer count 65,536 (2<sup>16</sup>) or remaining transfer count</td> </tr> </tbody> </table>	DBCn	States	0000H	Transfer count 1 or remaining transfer count	0001H	Transfer count 2 or remaining transfer count	:	:	FFFFH	Transfer count 65,536 (2 <sup>16</sup> ) or remaining transfer count
DBCn	States											
0000H	Transfer count 1 or remaining transfer count											
0001H	Transfer count 2 or remaining transfer count											
:	:											
FFFFH	Transfer count 65,536 (2 <sup>16</sup> ) or remaining transfer count											

### 8.3.4 DADCn - DMA addressing control registers

These 16-bit registers are used to control the DMA transfer modes for DMA channel n.

**Access** These registers can be read/written in 16-bit units.

**Address** DADC0: FFFF F0D0<sub>H</sub>  
 DADC1: FFFF F0D2<sub>H</sub>  
 DADC2: FFFF F0D4<sub>H</sub>  
 DADC3: FFFF F0D6<sub>H</sub>

**Initial Value** 0000<sub>H</sub>

15	14	13	12	11	10	9	8	7	6	5	4	3	2	1	0
DS1	DS0	0	0	0	0	0	0	SAD1	SAD0	DAD1	DAD0	TM1	TM0	0	0
R/W	R/W	R/W	R/W	R/W	R/W	R/W	R/W	R/W	R/W	R/W	R/W	R/W	R/W	R/W	R/W

Table 8-7 DADCn register contents

Bit position	Bit name	Function															
15, 14	DS1, DS0	Sets the transfer data size for DMA transfer. <table border="1"> <thead> <tr> <th>DS1</th><th>DS0</th><th>Transfer data size</th></tr> </thead> <tbody> <tr> <td>0</td><td>0</td><td>8 bits</td></tr> <tr> <td>0</td><td>1</td><td>16 bits</td></tr> <tr> <td>1</td><td>0</td><td>32 bits</td></tr> <tr> <td>1</td><td>1</td><td>Setting prohibited</td></tr> </tbody> </table> For the peripheral I/O and programmable peripheral I/O registers, ensure the transfer size matches the access size.	DS1	DS0	Transfer data size	0	0	8 bits	0	1	16 bits	1	0	32 bits	1	1	Setting prohibited
DS1	DS0	Transfer data size															
0	0	8 bits															
0	1	16 bits															
1	0	32 bits															
1	1	Setting prohibited															
7, 6	SAD1, SAD0	Sets the count direction of the source address for DMA channel n. <table border="1"> <thead> <tr> <th>SAD1</th><th>SAD0</th><th>Count direction</th></tr> </thead> <tbody> <tr> <td>0</td><td>0</td><td>Increment</td></tr> <tr> <td>0</td><td>1</td><td>Decrement</td></tr> <tr> <td>1</td><td>0</td><td>Fixed</td></tr> <tr> <td>1</td><td>1</td><td>Setting prohibited</td></tr> </tbody> </table>	SAD1	SAD0	Count direction	0	0	Increment	0	1	Decrement	1	0	Fixed	1	1	Setting prohibited
SAD1	SAD0	Count direction															
0	0	Increment															
0	1	Decrement															
1	0	Fixed															
1	1	Setting prohibited															
5, 4	DAD1, DAD0	Sets the count direction of the destination address for DMA channel n. <table border="1"> <thead> <tr> <th>DAD1</th><th>DAD0</th><th>Count direction</th></tr> </thead> <tbody> <tr> <td>0</td><td>0</td><td>Increment</td></tr> <tr> <td>0</td><td>1</td><td>Decrement</td></tr> <tr> <td>1</td><td>0</td><td>Fixed</td></tr> <tr> <td>1</td><td>1</td><td>Setting prohibited</td></tr> </tbody> </table>	DAD1	DAD0	Count direction	0	0	Increment	0	1	Decrement	1	0	Fixed	1	1	Setting prohibited
DAD1	DAD0	Count direction															
0	0	Increment															
0	1	Decrement															
1	0	Fixed															
1	1	Setting prohibited															
3, 2	TM1, TM0	Sets the transfer mode during DMA transfer. <table border="1"> <thead> <tr> <th>TM1</th><th>TM0</th><th>Transfer mode</th></tr> </thead> <tbody> <tr> <td>0</td><td>0</td><td>Single transfer mode</td></tr> <tr> <td>0</td><td>1</td><td>Setting prohibited</td></tr> <tr> <td>1</td><td>0</td><td>Setting prohibited</td></tr> <tr> <td>1</td><td>1</td><td>Block transfer mode</td></tr> </tbody> </table>	TM1	TM0	Transfer mode	0	0	Single transfer mode	0	1	Setting prohibited	1	0	Setting prohibited	1	1	Block transfer mode
TM1	TM0	Transfer mode															
0	0	Single transfer mode															
0	1	Setting prohibited															
1	0	Setting prohibited															
1	1	Block transfer mode															

**Caution** These registers cannot be accessed during DMA operation.

---

---

### 8.3.5 DCHCn - DMA channel control registers

These 8-bit registers are used to control the DMA transfer operating mode for DMA channel n.

**Access** These registers can be read/written in 8-bit or 1-bit units. (However, bit 7 is read only and bits 2 and 1 are write only. If bits 2 and 1 are read, the read value is always 0.)

**Address** DCHC0: FFFF F0E0<sub>H</sub>  
 DCHC1: FFFF F0E2<sub>H</sub>  
 DCHC2: FFFF F0E4<sub>H</sub>  
 DCHC3: FFFF F0E6<sub>H</sub>

**Initial Value** 00<sub>H</sub>

7	6	5	4	3	2	1	0
TCn	0	0	0	MLEn	INITn	STGn	ENn
R/W	R/W	R/W	R/W	R/W	R/W	R/W	R/W

Table 8-8 DCHCn register contents

Bit position	Bit name	Function
7	TCn	The Terminal Count status bit TC indicates whether DMA transfer through DMA channel n has ended or not. It is read-only, and is set to 1 when DMA transfer ends and cleared (0) when it is read. 0: DMA transfer had not ended. 1: DMA transfer had ended.
3	MLEn	When the Multi Link Enable bit MLE is set to 1 at terminal count output, the ENn bit is not cleared to 0 and the DMA transfer enable state is retained (refer to “Automatic Restart Function” on page 366). Moreover, the next DMA transfer request can be accepted even when the TCn bit is not read, that means it is not cleared. When this bit is cleared to 0 at terminal count output, the ENn bit is cleared to 0 and the DMA transfer disable state is entered. At the next DMA request, the setting of the ENn bit to 1 and the reading of the TCn bit are required.
2	INITn	When this bit is set to 1, DMA transfer is forcibly terminated.
1	STGn	If this bit is set to 1 in the DMA transfer enable state (TCn bit = 0, ENn bit = 1), DMA transfer is started.
0	ENn	Specifies whether DMA transfer through DMA channel n is to be enabled or disabled. 0: DMA transfer disabled 1: DMA transfer enabled If MLEn=0, this bit is cleared to 0 when DMA transfer ends. If MLEn=1, this bit is not cleared and the next DMA transfer is automatically restarted (refer to “Automatic Restart Function” on page 366). This bit is also cleared to 0 when DMA transfer is forcibly terminated by means of setting the INITn bit to 1 or by NMI input.

### 8.3.6 DRST - DMA restart register

The ENn bit of this register and the ENn bit of the DCHCn register are linked to each other. This provides a fast way to check the status of all DMA channels.

**Access** This register can be read/written in 8-bit or 1-bit units.

**Address** FFFF F0F2<sub>H</sub>

**Initial Value** 00<sub>H</sub>

7	6	5	4	3	2	1	0
0	0	0	0	EN3	EN2	EN1	EN0
R/W	R/W	R/W	R/W	R/W	R/W	R/W	R/W

Table 8-9 DRST register contents

Bit position	Bit name	Function
3 to 0	EN3 to EN0	Specifies whether DMA transfer through DMA channel n is to be enabled or disabled. This bit is cleared to 0 when DMA transfer is completed in accordance with the terminal count output. It is also cleared to 0 when DMA transfer is forcibly terminated by setting the INITn bit to 1 or by NMI input. 0: DMA transfer disabled 1: DMA transfer enabled

### 8.3.7 DTFRn - DMA trigger source select register

The 8-bit DMA trigger source selection registers are used to control the DMA transfer triggers for the individual DMA channels. These triggers initiate DMA transfer requests received from built-in peripheral hardware.

Interrupt signals are used as DMA transfer requests.

**Access** This register can be read/written in 8-bit or 1-bit units.

**Address** DTFR0: FFFF FE00<sub>H</sub>  
 DTFR1: FFFF FE02<sub>H</sub>  
 DTFR2: FFFF FE04<sub>H</sub>  
 DTFR3: FFFF FE06<sub>H</sub>

**Initial Value** 00<sub>H</sub>

7	6	5	4	3	2	1	0
DRQn	DOFLn	DMACTn	0 <sup>a</sup>	0 <sup>a</sup>	IFCn2	IFCn1	IFCn0
R/W	R/W <sup>Note</sup>	R/W <sup>Note</sup>	R/W	R/W	R/W	R/W	R/W

a) The default value "0" of this bit must not be changed!

**Note** DRQn and DOFLn are set by hardware. DRQn and DOFLn can be *reset* by software. Setting these bits by software is not possible. A "0" must be written to the respective bit location to reset these bits.

The bits DTFRn.IFCn[2:0] select the interrupts to be used as DMA trigger sources according to the following table

n			0	1	2	3
IFCn2	IFCn1	IFCn0	Channel 0	Channel 1	Channel 2	Channel 3
0	0	0	INTCB1R	INTCB2R <sup>a</sup>	INTCB1R	INTCB2R <sup>a</sup>
0	0	1	INTCB1T	INTCB2T <sup>a</sup>	INTCB1T	INTCB2T <sup>a</sup>
0	1	0	INTCB0R	INTCB0T	INTCB0R	INTCB0T
0	1	1	INTUA0R	INTUA0R	INTUA0T	INTUA0T
1	0	0	INTUA1R	INTUA1R	INTUA1T	INTUA1T
1	0	1	INTTZ0UV	INTTZ0UV	INTTZ1UV	INTTZ2UV
1	1	0	INTIIC0	INTLCD	INTIIC1	INTLCD
1	1	1	INTTP0CC1	INTTP1CC1	INTTG0CC1	INTAD

a)  $\mu$ PD70F3424,  $\mu$ PD70F3425,  $\mu$ PD70F3426A,  $\mu$ PD70F3427 only

**Caution** If the DMA trigger source is changed by modifying DTFRn.IFCn[2:0] bits while DMA channel n is active, a DMA request may be set accidentally.

Proceed in any of the two ways when changing the DMA trigger source:

1. Disable the DMA channel n by DCHCn.ENn = 0 before changing the DMA trigger source DTFRn.IFCn[2:0].



2. Set the DMA request bit DTFRn.DRQn = 0 in parallel to changing DTFRn.IFCn[2:0], i.e. within the same write operation. Thus DTFRn must be written in 8-bit access mode. Do not change DTFRn.IFCn[2:0] with single-bit instructions.

The following list details the functions of the individual DMA trigger sources referenced in the above table.

- INTCB2R...INTCB0R  
The receive interrupts of the Clocked Serial Interfaces CSIB2...CSIB0 are used as DMA trigger sources. In case of a receive overflow condition no DMA trigger will be issued. The receive error interrupt of the respective CSIB INTCBnRE should be enabled to inform the application software about the overflow condition.

- INTCB2T...INTCB0T  
The transmit interrupts of the Clocked Serial Interfaces CSIB2...CSIB0 are used as DMA trigger sources.

- INTUA1R, INTUA0R  
The receive interrupts of the Asynchronous Serial Interfaces UARTA1 or UARTA0 are used as DMA trigger sources.

In case of a receive overflow, or a framing or parity error condition, no DMA trigger will be issued. The receive error interrupt INTUAnRE of the respective UARTn should be enabled to inform the application software about the error condition. These interrupts are also generated upon reception of an SBF in LIN mode.

- INTUA1T, INTUA0T  
The transmit interrupts of the Asynchronous Serial Interfaces UARTA1 or UARTA0 are used as DMA trigger sources.

- INTLCD  
The interrupt signal of the LCD Bus Interface macro is used to trigger the DMA transfer.

- INTIIC0, INTIIC1  
The interrupts of the I<sup>2</sup>C Interfaces IIC0, IIC1 are used to trigger the respective DMA channel.

DRQn	DMA request
0	No DMA transfer request is pending for channel n
1	DMA transfer request is pending for channel n

DOFLn	DMA request overflow
0	DMA transfer request overflow did not occur for channel n
1	DMA transfer request overflow occurred for channel n

**Note** For more information concerning correct handling of DRQn and DOFLn during DMA initialization and retrigger refer to “DMA setup and retrigger” on page 365.

DMACTn	DMA active count
0	DMACTn=0 must be set if internal RAM is not specified as source or destination
1	DMACTn=1 must be set if internal RAM is specified as source or destination

Set DMACTn according to the following table:

Source \ Destination	Internal RAM	VSB Flash (μPD70F3426A)	VSB RAM (μPD70F3426A)	external memory (μPD70F3427)	Peripherals
Internal RAM	–	√	√	√	√
VSB Flash (μPD70F3426A)	–	–	–	–	–
VSB RAM (μPD70F3426A)	√	√	√	–	√
external memory (μPD70F3427)	√	–	–	√	√
Peripherals	√	√	√	√	√

**Caution** Special care must be taken when using the internal RAM as DMA source or destination. Refer to “*Simultaneous program execution and DMA transfer with internal RAM*” on page 374.

## 8.4 DMA setup and retrigger

The following describes the correct initial DMA setup and the process for retriggering the DMA process.

### 8.4.1 DMA initial setup (status after system reset)

1. Disable DMA interrupts INTDMA<sub>n</sub> in interrupt control registers by setting DMA<sub>n</sub>IC.DMA<sub>n</sub>MK = 1.
2. Configure DMA source address register DSAH<sub>n</sub> and set bit DSAH<sub>n</sub>.IR = 1 if the DMA source address is located inside the internal RAM area.
3. Configure DMA source address register DSAL<sub>n</sub>.
4. Configure DMA destination address register DDAH<sub>n</sub> and set bit DDAH<sub>n</sub>.IR = 1 if the DMA destination address is located inside the internal RAM area.
5. Configure DMA destination address register DDAL<sub>n</sub>.
6. Configure DMA transfer count register DBC<sub>n</sub>.
7. Select transfer data size, count direction of the source address, count direction of the destination address and transfer mode by setting DS<sub>n</sub>, DAD<sub>n</sub>, SAD<sub>n</sub> and TM<sub>n</sub> of DADC<sub>n</sub>.
8. Select whether target and/or destination addresses are RAM-located, select DMA transfer complete mode and select trigger source by setting DMACT<sub>n</sub>, TCOMODE<sub>n</sub> and IFC<sub>n</sub> of DTFR<sub>n</sub>.
9. Always clear the DRQ<sub>n</sub> and DOFL<sub>n</sub> flags of DTFR<sub>n</sub> register regardless if these are already cleared or not.
10. Clear DMA interrupt requests in interrupt control registers by setting DMA<sub>n</sub>IC.DMA<sub>n</sub>IF = 0.
11. Enable the DMA transfer by setting DCHC<sub>n</sub>.EN<sub>n</sub> = 1 or the respective bit of the DRST register.
12. DMA<sub>n</sub> transfer is then triggered either by request from the respective peripheral or by setting the software trigger bit DCHC<sub>n</sub>.STG<sub>n</sub> = 1.

If software trigger is used, steps 11 and 12 can be done simultaneously by setting DCHC<sub>n</sub> = 03<sub>H</sub>.

### 8.4.2 DMA Retrigger

1. Disable DMA interrupts INTDMA<sub>n</sub> in interrupt control registers by setting DMA<sub>n</sub>IC.DMA<sub>n</sub>MK = 1.
2. Read TC<sub>n</sub> of DCHC<sub>n</sub> to clear it.
3. Always clear the DRQ<sub>n</sub> and DOFL<sub>n</sub> flags of DTFR<sub>n</sub> register regardless if these are already cleared or not.
4. Clear DMA interrupt requests in interrupt control registers DMA<sub>n</sub>IC (n=0..3).
5. Enable the DMA transfer by setting DCHC<sub>n</sub>.EN<sub>n</sub> or the respective bit of the DRST registers.
6. DMA<sub>n</sub> transfer is triggered either by request from the respective peripheral or by setting the software trigger bit DCHC<sub>n</sub>.STG<sub>n</sub> = 1.

If software trigger is used, steps 5 and 6 can be done simultaneously by setting DCHC<sub>n</sub> = 0x03.

## 8.5 Automatic Restart Function

The DMA source address registers (DSAHn, DSALn), DMA destination address registers (DDAHn, DDALn), and DMA transfer count register (DBCn) are buffer registers with a 2-stage FIFO structure, named master and slave register.

The setup data of the slave registers is always used for the current DMA transfer, while the master registers may hold a new setup to be used automatically after the first DMA transfer has completed.

When the terminal count DCHCn.TCn=1 is issued, the slave registers are automatically rewritten with the values of the master registers.

Therefore, during DMA transfer, transfer is automatically started when a new DMA transfer setting is made for these registers and the MLEn bit of the DCHCn register is set (however, the DMA transfer end interrupt is issued even if DMA transfer is automatically started).

This mode is called multi link mode and is configured by DCHCn.MLEn=1.

If DMA channel n is disabled (DCHCn.ENn=0), writing to DSAH/Ln, DDAH/Ln, DBCn stores the data to the master and slave registers.

Writing the next DMA transfer setup data to the master registers only - and to keep the first setup data in the slave registers - is possible after

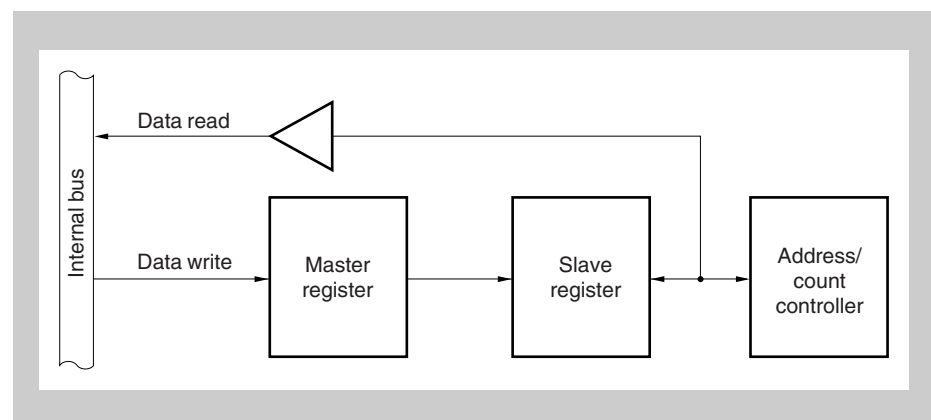
- the DMA channel n has been enabled (DCHCn.ENn=1) *and*
- the first DMA trigger interrupt for channel n has occurred.

The new setup data will become effective after

- the previous DMA transfer has completed (DCHC.TCn=1, INTDMA<sub>n</sub>) *and*
- the next following DMA trigger interrupt for channel n has occurred.

Note that the terminal count flag DCHC.TCn does not need to be cleared in multi link mode (DCHC.MLEn = 1) for starting up the next DMA transfer automatically.

Figure 8-1 shows the configuration of the buffer register.



**Figure 8-1** Buffer register configuration

www.DataSheet4U.com

**Caution** DMA transfer with activated MLE function can only be used in conjunction with hardware requests. Therefore it is not allowed to start a DMA transfer by software trigger (DCHCn.STGn) when DCHCn.MLEn is set.

## 8.6 Transfer Type

All DMA transfers of this microcontroller are two-cycle transfers.

In two-cycle transfer, data transfer is performed in two cycles: a read cycle (source to DMAC) and a write cycle (DMAC to destination).

In the first cycle, the source address is output and reading is performed from the source to the DMAC. In the second cycle, the transfer destination address is output and writing is performed from the DMAC to the transfer destination.

## 8.7 Transfer Object

The following transfer objects can be specified as source and destination:

**Table 8-10** Transfer objects

Source \ Destination	Internal RAM	Peripherals
Internal RAM	–	√
Peripherals	√	√

## 8.8 DMA Channel Priorities

The DMA channel priorities are fixed as follows.

DMA channel 0 > DMA channel 1 > ... > DMA channel n

In the single-step transfer mode, the DMA Controller releases the buses after each byte/half-word/word transfer. If a higher priority DMA transfer request is issued while the bus is released, the higher priority DMA transfer request is acknowledged.

In the block transfer mode, the channel used for transfer is never switched.

## 8.9 DMA Transfer Start Factors

There are two types of DMA transfer start factors, as shown below.

### (1) Request from on-chip peripheral I/O

If the ENn and the TCn bits of the DCHCn register are set as shown below, and an interrupt request is issued from the on-chip peripheral I/O that is set in the DTFRn register, the DMA transfer starts.

- ENn bit = 1
- TCn bit = 0

### (2) Request from software

If the STGn, the ENn and the TCn bits of the DCHCn register are set as follows, the DMA transfer starts.

- STGn bit = 1
- ENn bit = 1
- TCn bit = 0

**Note** For more information concerning correct DMA initialization and retrigger refer to *"DMA setup and retrigger"* on page 365.

## 8.10 Forcible Interruption

DMA transfer can be forcibly interrupted by NMI input during DMA transfer. At such a time, the DMAC clears the ENn bit of the DCHCn register of all channels and the DMA transfer disabled state is entered. An NMI request can then be acknowledged after the DMA transfer executed during NMI input is terminated.

In block transfer mode, the DMA transfer request is held in the DMAC. If the ENn bit is set back to "1", the DMA transfer is resumed from the point where it was interrupted.

In the single transfer mode, if the ENn bit is set back to "1", the next DMA transfer request is acknowledged and DMA transfer is resumed.

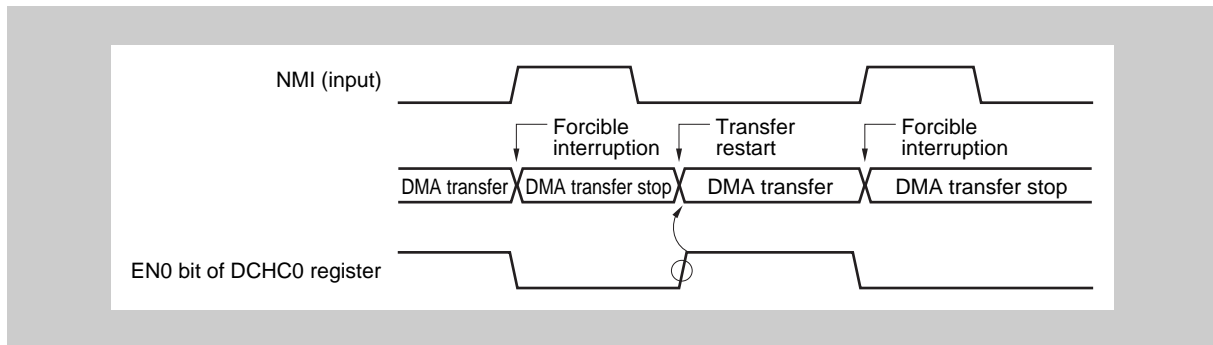


Figure 8-2 Example of forcible interruption of DMA transfer

**Caution** The resumed DMA transfer after NMI interruption cannot be executed with new settings. New settings for a DMA transfer can be validated either after the end of the current transfer or after the transfer has been forcibly terminated by setting the INITn bit of the DCHCn register.

## 8.11 Forcible Termination

In addition to the forcible interruption operation by means of the NMI input, DMA transfer can be forcibly terminated by the INITn bit of the DCHCn register. The following is an example of the operation of a forcible termination.

Figure 8-3 shows a block transfer of channel 3 which begins during the DMA block transfer of DMA channel 2. The block transfer of DMA channel 2 is forcibly terminated by setting the INIT2 bit of its DCHC2 control register.

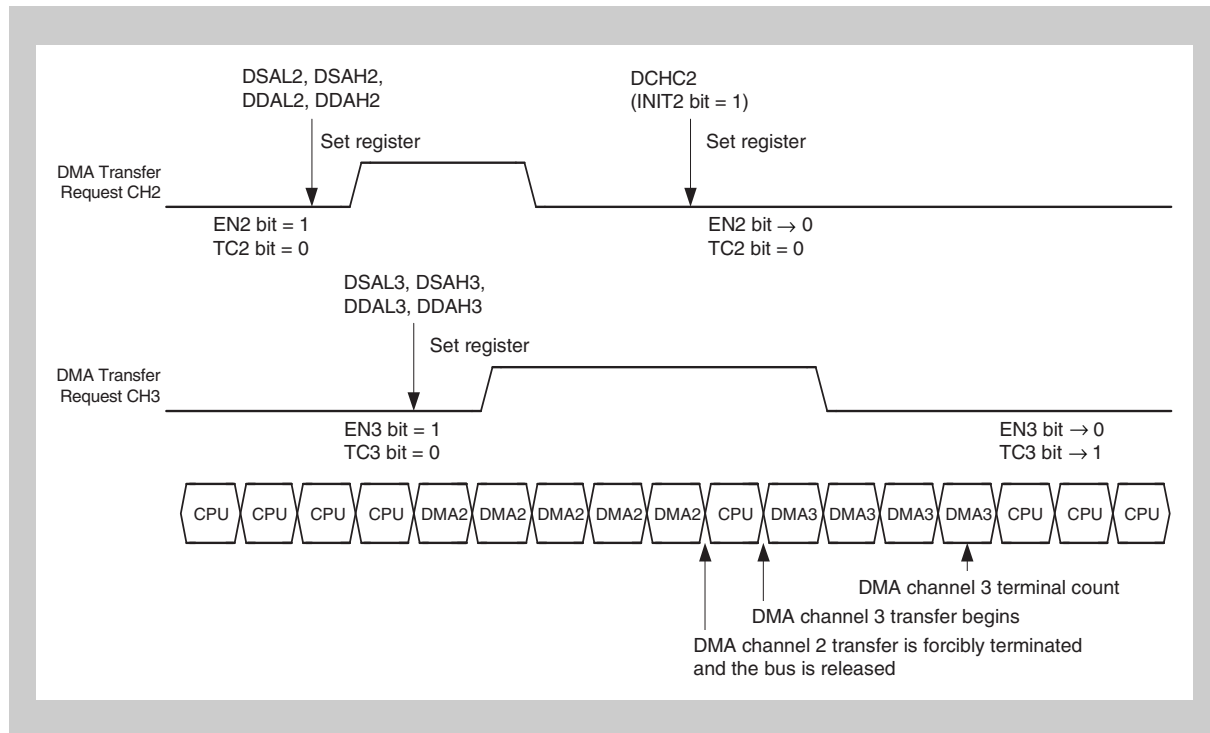


Figure 8-3 DMA transfer forcible termination example 1

**Note** The next condition can be set even during DMA transfer because the DSAn, DDAn, and DBCn registers are buffered registers. However, the setting to the DADCn register is invalid (refer to “Automatic Restart Function” on page 366 and “DADCn - DMA addressing control registers” on page 358).

Figure 8-4 shows a forcible termination of a block transfer operation of DMA channel 1. A transfer containing a new configuration is executed.

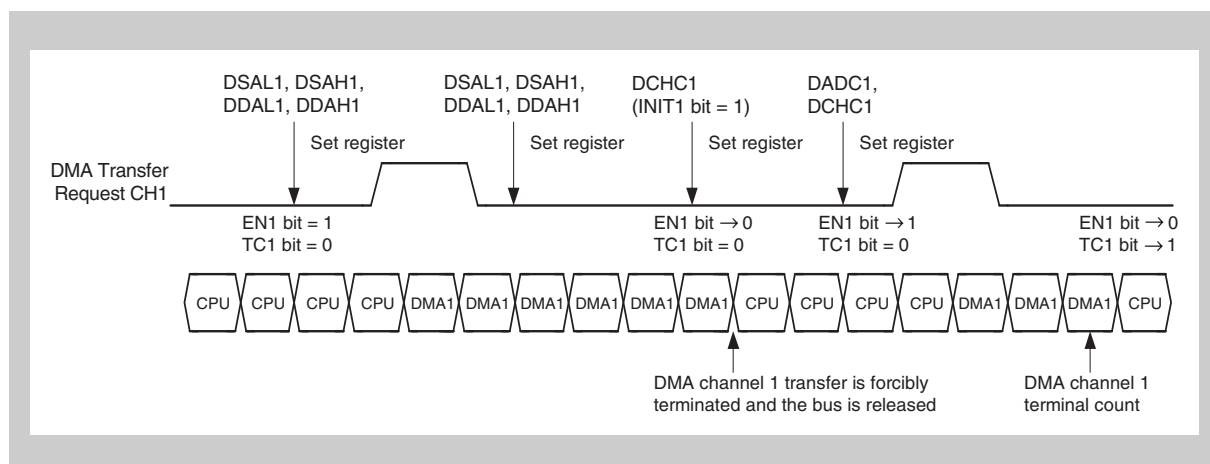


Figure 8-4 DMA transfer forcible termination example 2

**Note** Since the DSALn, DSAHn, DDALn, DDAHn and DBCn registers are buffered registers, the next transfer condition can be set even during a DMA transfer. However, a setting in the DADCn register is ignored (refer to “Automatic Restart Function” on page 366)



## 8.12 DMA Transfer Completion

When DMA transfer ends and the TCn bit of the DCHCn register is set, a DMA transfer end interrupt (INTDMA<sub>n</sub>) is issued to the Interrupt Controller (INTC).

## 8.13 Transfer Mode

### 8.13.1 Single transfer mode

In single transfer mode, the DMAC releases the bus after each byte/halfword/word transfer. If there is a subsequent DMA transfer request, transfer is performed again once. This operation continues until a terminal count occurs.

When the DMAC has released the bus, if another higher priority DMA transfer request is issued, the higher priority DMA request always takes precedence. However, if a lower priority DMA transfer request is generated within one clock after the end of a single transfer, even if the previous higher priority DMA transfer request signal stays active, this request is not prioritized and the next DMA transfer after the bus is released for the CPU is a transfer based on the newly generated, lower priority DMA transfer request.

Figure 8-5 shows a DMAC transfer in single transfer mode. In this example the DMA channel 3 is used for a single transfer.

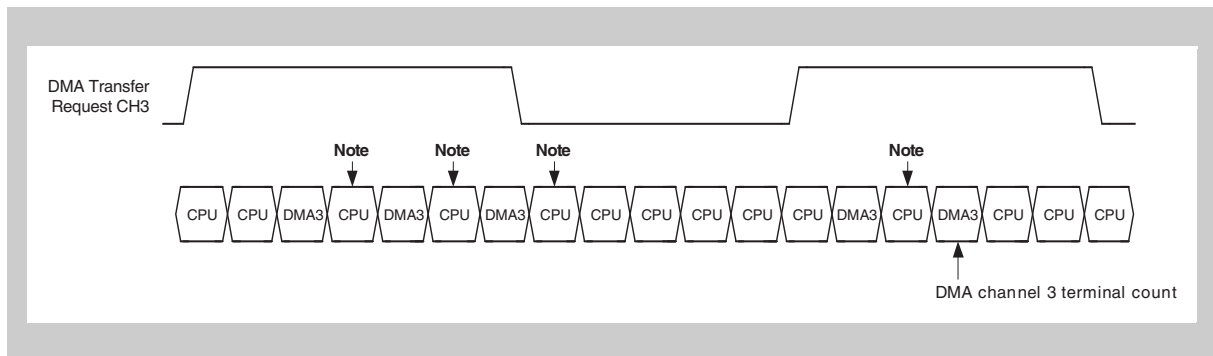


Figure 8-5 Single transfer example 1

Note The bus is always released

Figure 8-6 shows DMAC transfers in single transfer mode in which a higher priority DMA transfer request is generated. DMA channels 0 to 2 are used for a block transfer and channel 3 is used for a single transfer.

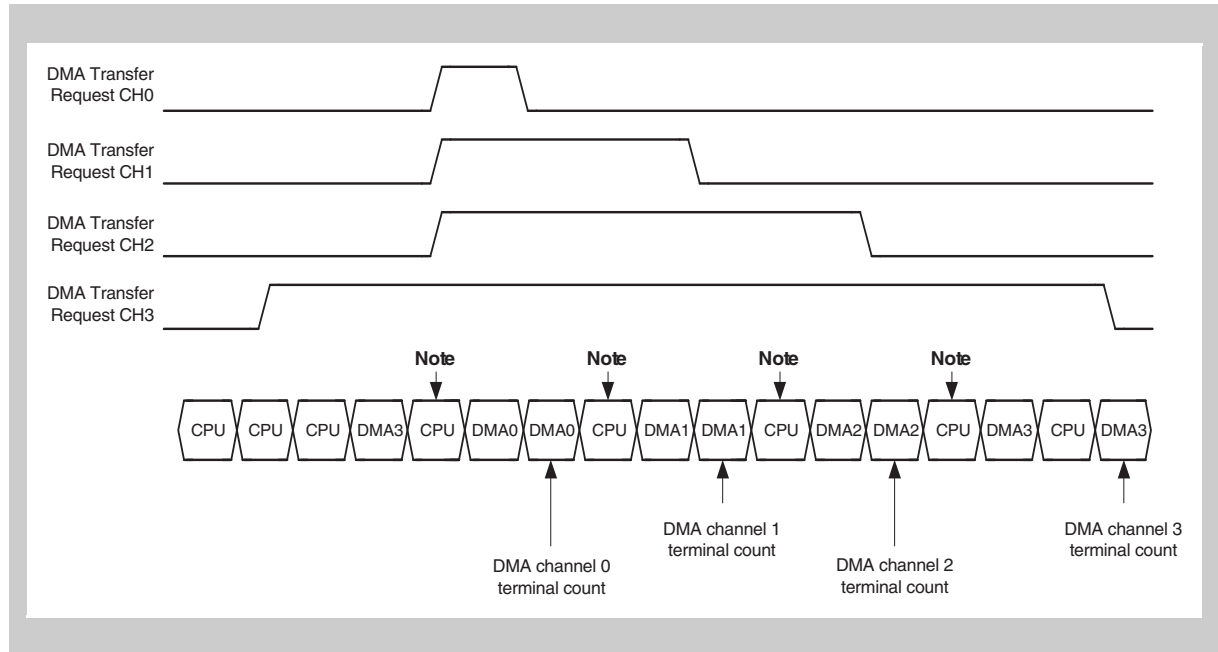


Figure 8-6 Single transfer example 2

**Note** The bus is always released

Figure 8-7 shows a DMA transfer example in single transfer mode in which a lower priority DMA transfer request is generated within one clock after the end of a single transfer. DMA channels 0 and 3 are used for the single transfer example. When two DMA transfer request signals are activated at the same time, the two DMA transfers are performed alternately.

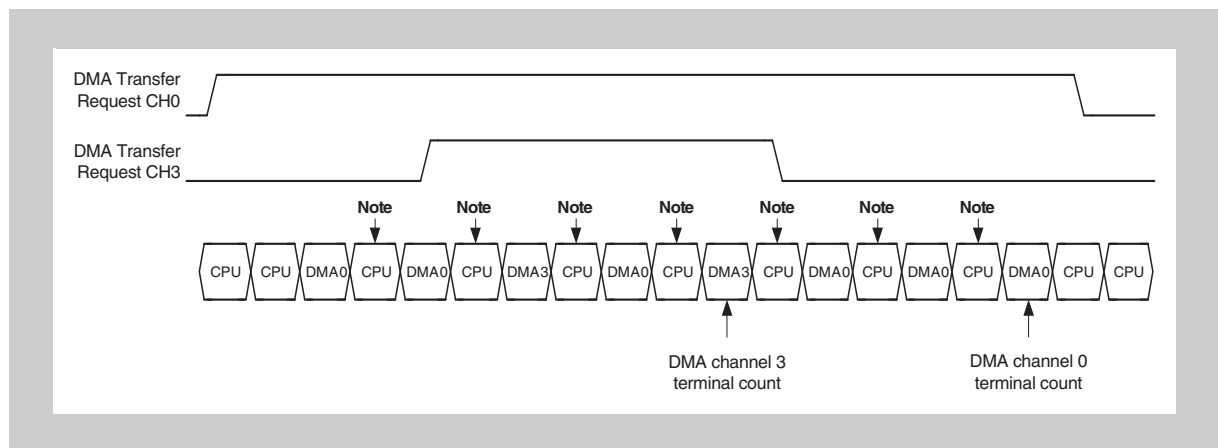


Figure 8-7 Single transfer example 3

**Note** The bus is always released

Figure 8-8 shows a single transfer mode example in which two or more lower priority DMA transfer requests are generated within one clock after the end of a single transfer. DMA channels 0, 2 and 3 are used for this single transfer example. When three or more DMA transfer request signals are activated at the same time always the two highest priority DMA transfers are performed alternately.

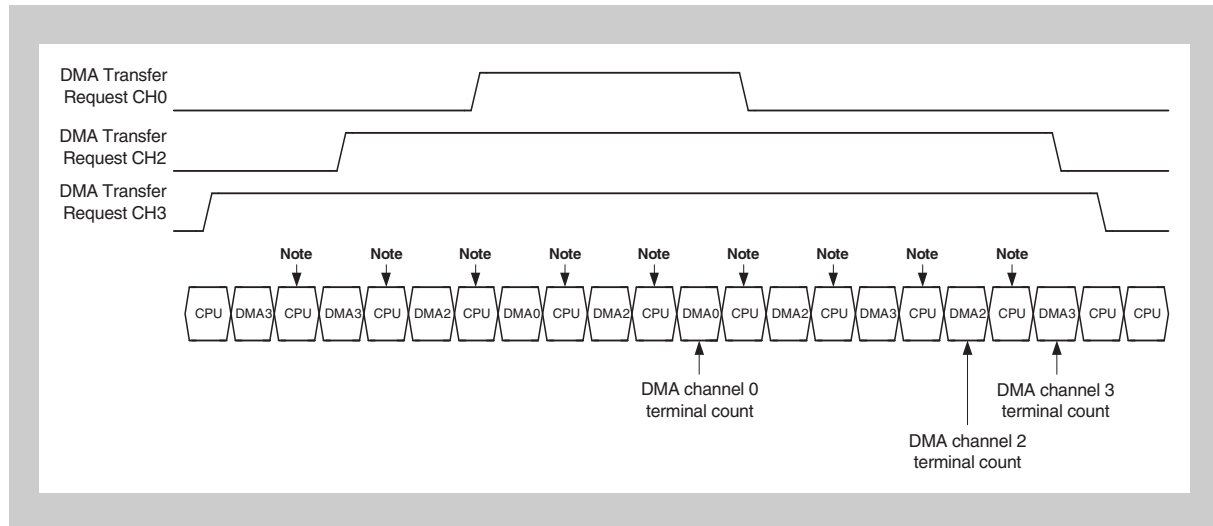


Figure 8-8 Single transfer example 4

Note The bus is always released

### 8.13.2 Block transfer mode

In the block transfer mode, once transfer begins, the DMAC continues the transfer operation without releasing the bus until a terminal count occurs. No other DMA requests are acknowledged during block transfer.

After the block transfer ends and the DMAC releases the bus and another DMA transfer can be acknowledged.

Figure 8-9 shows a block transfer mode example. It is a block transfer mode example in which a higher priority DMA transfer request is generated. DMA channels 2 and 3 are used for the block transfer example.

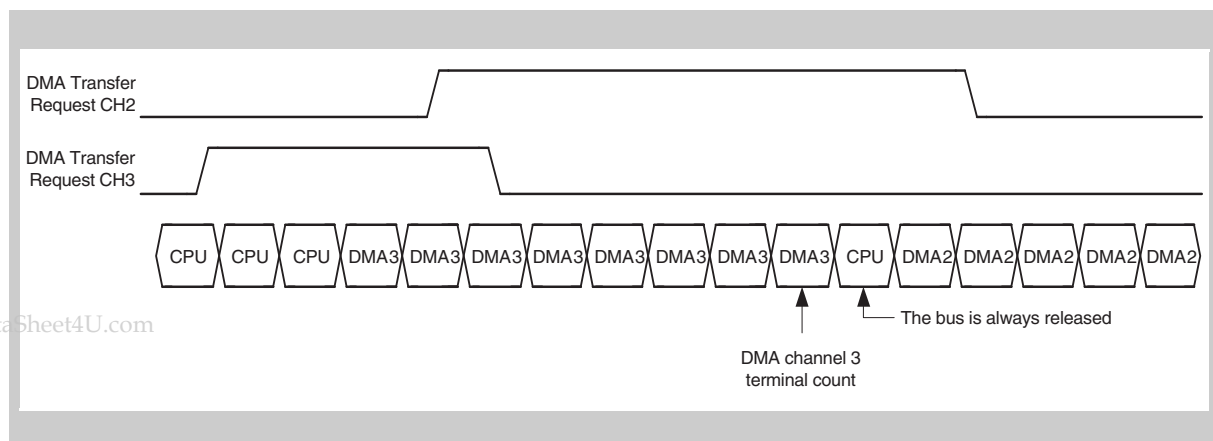


Figure 8-9 Block transfer example

## 8.14 Cautions

### 8.14.1 Simultaneous program execution and DMA transfer with internal RAM

#### (1) Details

When a DMA transfer with the internal RAM as source or destination and one of the following instructions are fetched from the internal RAM and executed, the CPU may deadlock:

- bit manipulation instructions (SET1, CLR1, or NOT1) on any target data (RAM, SFR, etc)
- - instructions with misaligned access to data in the internal RAM misaligned access means
  - access to 32-bit (word) data on addresses with lower 2 address bits unequal 0
  - access to 16-bit (half-word) data on addresses with lowest address bit unequal 0

Once the CPU has entered this deadlock state only a reset can be acknowledged, neither maskable nor non-maskable interrupts will be acknowledged anymore.

This situation does not occur if no instruction is fetched from the internal RAM, or no DMA transfer is performed on the internal RAM.

#### (2) Workaround

Implement any of the following workarounds:

- Do not perform any DMA transfers with the internal RAM when an instruction allocated in the internal RAM is being executed.
- Do not execute an instruction allocated in the internal RAM when a DMA transfer with the internal RAM is being performed.
- Disable DMA transfer when the CPU is executing instruction code that is allocated in the internal RAM.
- Do not use either a bit manipulation instruction or a misaligned memory access.

## Chapter 9 ROM Correction Function (ROMC)

This microcontroller features following ROM correction facilities:

- “Data Replacement” ROM correction:
  - 1 x 6 channels for VFB flash memory and ROMThe individual channels of each “Data Replacement” ROM correction are identified by “n” (n = 0 to 5)
- “DBTRAP” ROM correction:
  - 1 x 8 channels for VFB flash memory
  - 1 x 8 channels for VSB flash memory (for  $\mu$ PD70F3426A only)The individual channels of each “DBTRAP” ROM correction are identified by “m” (m = 0 to 7)

---

**Caution** During self-programming make sure to disable all ROM correction facilities, as enabled ROM corrections may conflict with the internal firmware.

---

### 9.1 Overview

The ROM Correction Function is used to replace part of the internal flash memory with user defined data.

By using this function, program bugs found in the internal flash memory can be corrected.

The “DBTRAP” ROM correction unit substitutes an instruction fetched from flash memory by the DBTRAP instruction. Thus a DBTRAP exception is excited and program execution branches to the DBTRAP vector 0000 0060<sub>H</sub>. Note that the “DBTRAP” ROM correction unit is utilized by the N-Wire on-chip debug unit. Therefore ROM corrections by DBTRAP are not available, when N-Wire on-chip debugging is performed.

## 9.2 “Data Replacement” ROM Correction Unit

### 9.2.1 Features

- 6 correction channels for VFB flash/ROM ( $n = 0$  to 5)
- Programmable correction address for each channel
- Programmable correction value for each channel (the value can be an instructions as well as data)
- Correction of aligned and unaligned instructions/data
- Correction of halfwords and words
- Enable/disable of each channel individually by software

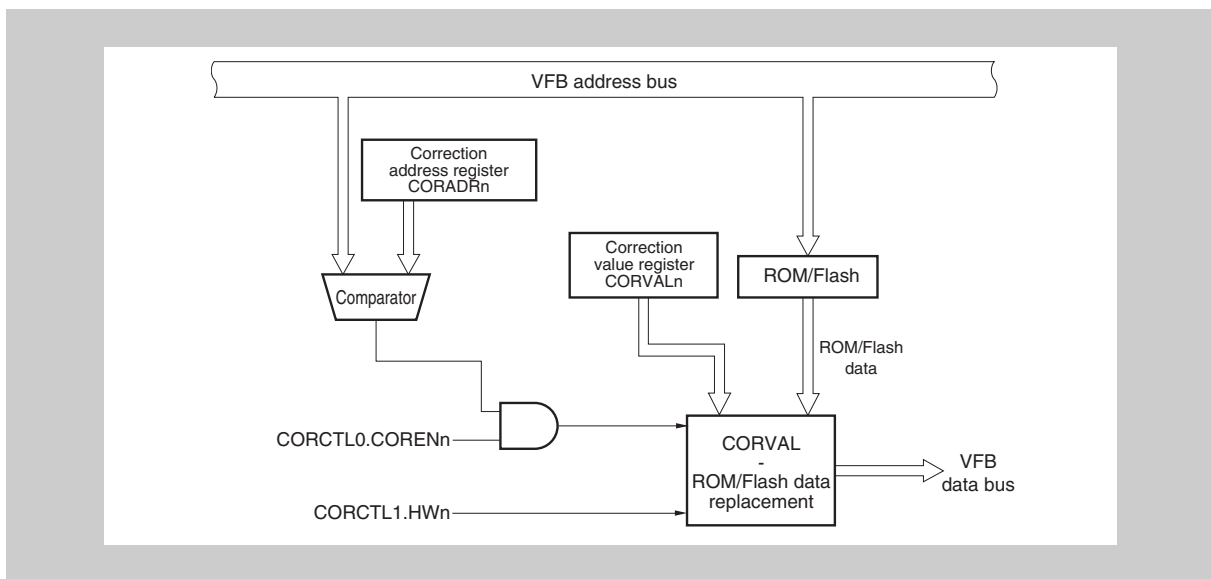


Figure 9-1 “Data Replacement” ROM correction block diagram

### 9.2.2 “Data Replacement” ROM correction operation

The “Data Replacement” ROM correction unit compares the address on the V850 fetch bus (VFB) with the contents of the programmable correction address registers CORADR<sub>n</sub>. If an address matches, a programmable value (instructions or data) is put on the V850 fetch bus instead of the ROM contents. If no address matches, the ROM contents is passed on the fetch bus as normal.

The V850E architecture supports 16-bit as well as 32-bit instructions/data with support of aligned and unaligned instruction/data placement. Figure 9-2 shows the different alignments of code/data inside the ROM.

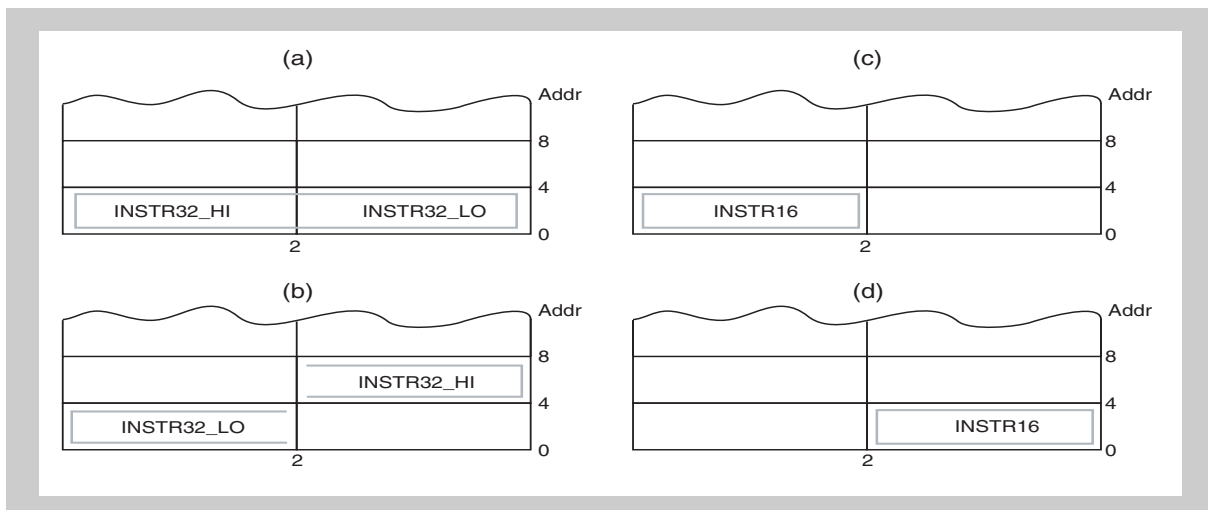


Figure 9-2 Alignment of instructions and data in the internal ROM/flash

#### (a) 32-bit word aligned data replacement

The 32-bit wide code/data is aligned to a word boundary. Upper and lower halfword are replaced directly by the 32-bit correction value.

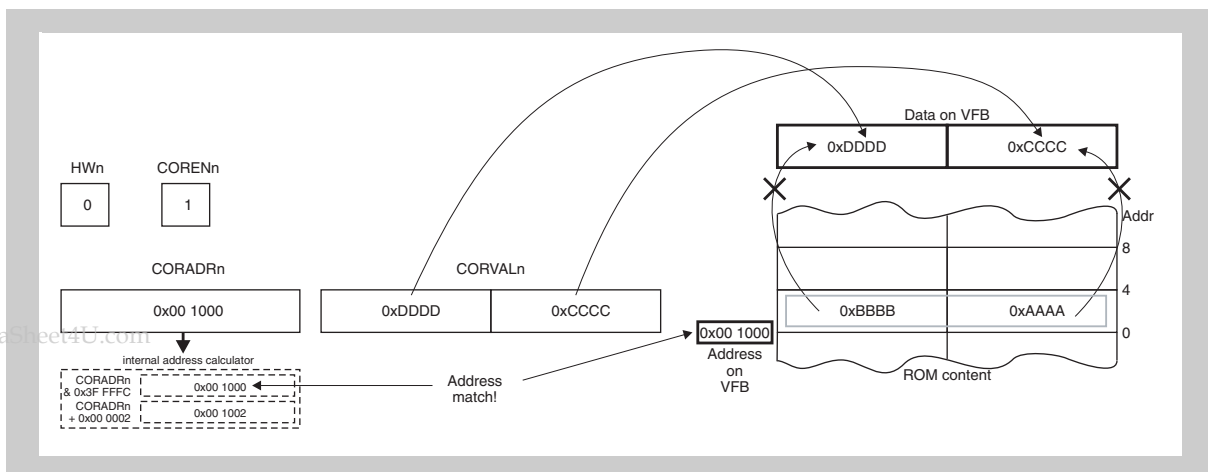
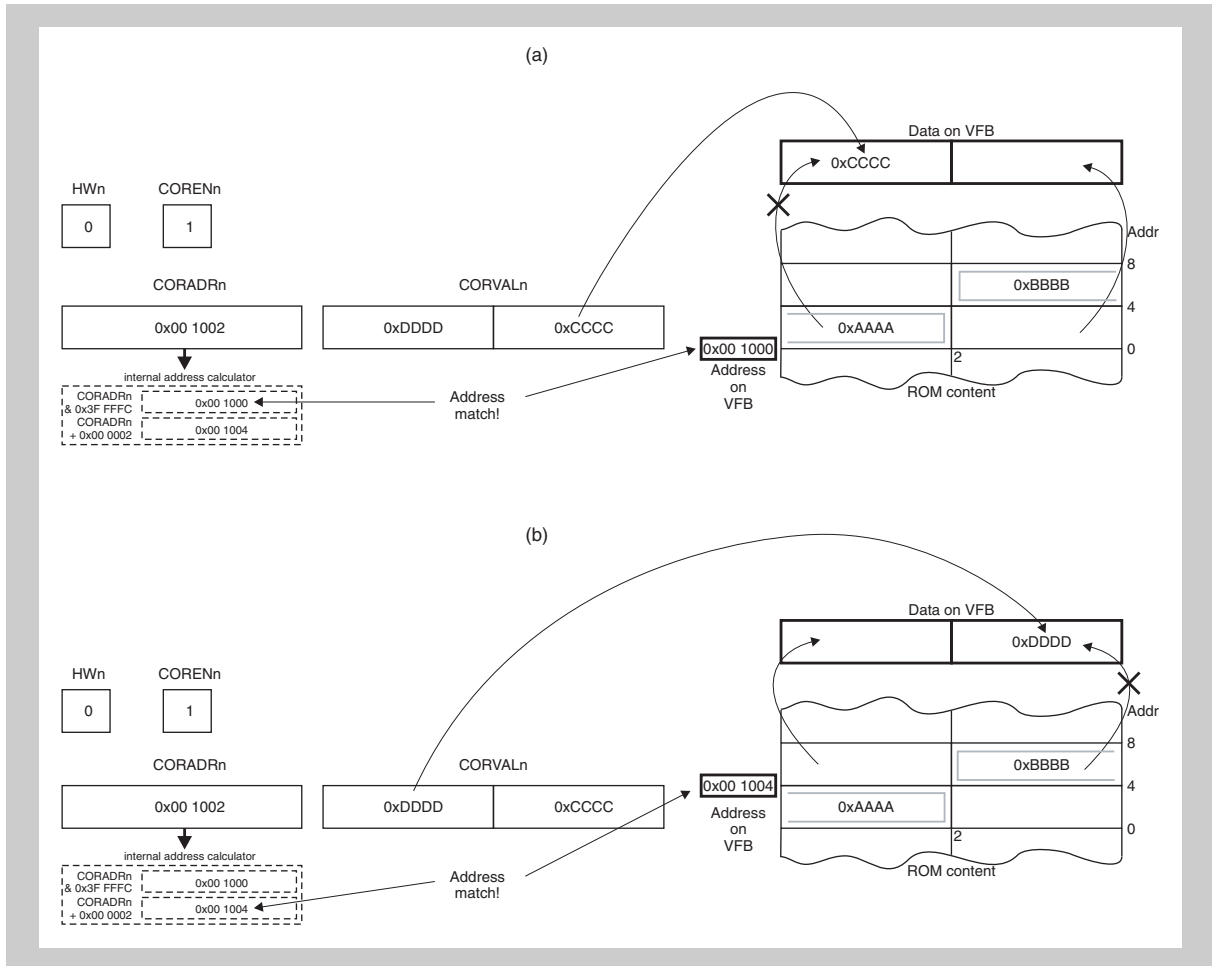


Figure 9-3 32-bit word aligned data replacement

**(b) 32-bit word unaligned data replacement**

The 32-bit wide code/data is not aligned to a word boundary. For the first VFB access the upper half word is replaced by the lower 16-bit of the correction value (refer to Figure 9-4 (a)). For the second VFB access the lower halfword is replaced by the upper 16-bit of the correction value (refer to Figure 9-4 (b)).



**Figure 9-4 32-bit word unaligned data replacement**



**(c) 16-bit halfword aligned data replacement**

The 16-bit wide code/data can be replaced directly by the 16-bit correction value. The upper halfword is not replaced but the original ROM contents is put on the fetch bus.

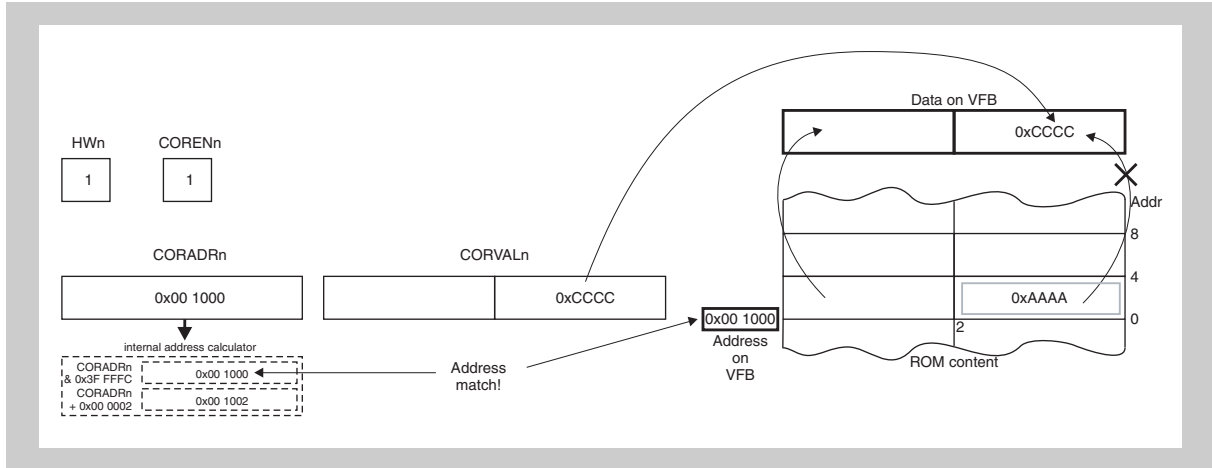


Figure 9-5 16-bit halfword aligned data replacement

**(d) 16-bit halfword unaligned data replacement**

The 16-bit wide code/data can be replaced directly by the 16-bit correction value. The lower halfword is not replaced but the original ROM contents is put on the fetch bus.

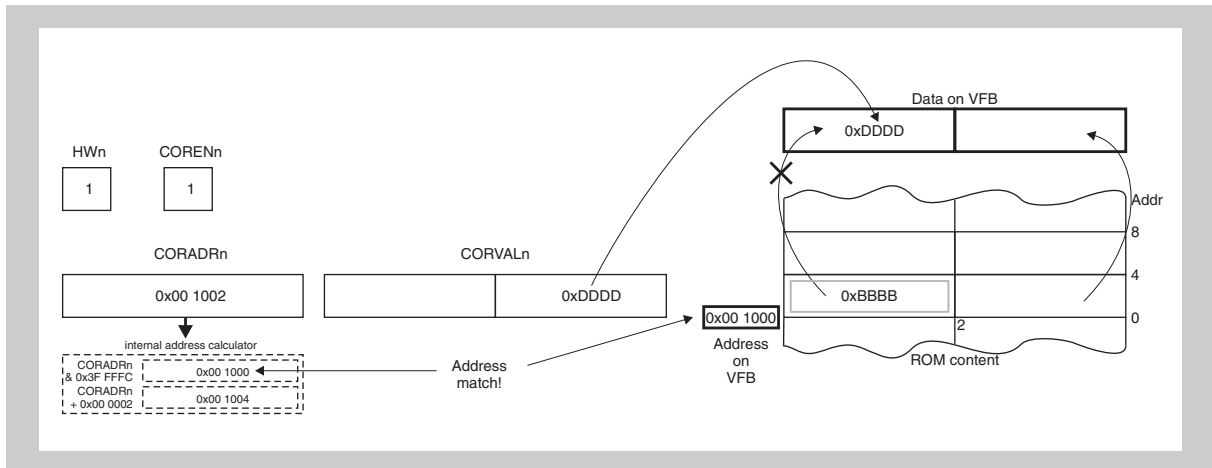


Figure 9-6 16-bit halfword unaligned data replacement

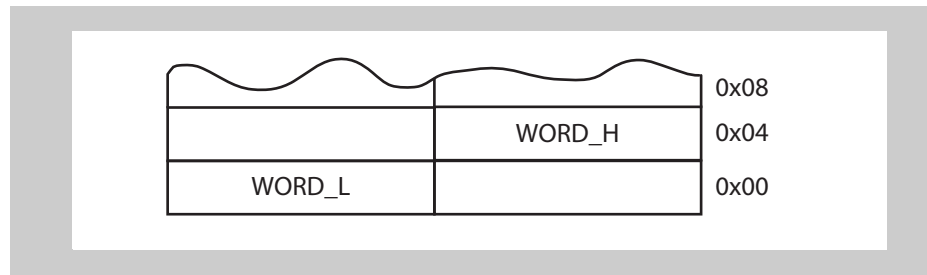
### 9.2.3 Setting of ROM correction addresses

The CPU supports access to (32-bit) word and (16-bit) half word aligned and unaligned instructions and data.

Aligned words have an address with the lowest two address bits equal  $00_B$ , i.e.  $ADDRESS \bmod 4 = 00_B$ .

Any access to the ROM is always performed on word aligned addresses. As a consequence access to an unaligned word yields two accesses.

The word in *Figure 9-7* is accessed in two cycles via address  $0x00$  and  $0x04$ .



**Figure 9-7** Unaligned word addressing

Consequently a ROM correction of an unaligned word is also split into two steps (refer to “32-bit word unaligned data replacement“ on page 378).

**Caution** Any (32-bit) aligned word must not contain correction targets of more than one ROM correction channel.

In case of an unaligned word correction ( $CORCTL1.HWn=0$ ), i.e.  $CORADRn \bmod 4 = 10_B$ , any part (word or half word) of the following two aligned words must not be specified as any other correction address:

- $CORADRn \div 4$
- $(CORADRn \div 4) + 4$

Following consequence applies:

The correction address of an unaligned word must have a distance of at least 6 byte to all other correction addresses, i.e.  $CORADRn \geq CORADRm + 6$ .

One exception consists in the following case. If an unaligned halfword correction address  $CORADRm$  ( $CORCTL1.HWn = 1$ ) precedes in terms of the addresses an unaligned word correction  $CORADRn$  ( $CORCTL1.HWn = 0$ ), a distance of 4 byte is sufficient:  $CORADRn \geq CORADRm + 4$ .

If the setting of ROM correction addresses conflicts with the above, an unaligned word correction shall be split into two halfword corrections. Thus also halfwords of different correction words can be combined in order to correct them in a single aligned access cycle.

*Table 9-1* illustrates different combinations and advises how to avoid above conflicts.

Unaligned word and halfword correction							
<table border="1"> <tr> <td style="width: 50px; height: 20px;">HWORD1</td> <td style="width: 50px; height: 20px;">WORD0_H</td> <td style="width: 50px;">x100<sub>B</sub></td> </tr> <tr> <td style="width: 50px; height: 20px;">WORD0_L</td> <td style="width: 50px; height: 20px;">HWORD0</td> <td style="width: 50px;">x000<sub>B</sub></td> </tr> </table>	HWORD1	WORD0_H	x100 <sub>B</sub>	WORD0_L	HWORD0	x000 <sub>B</sub>	
HWORD1	WORD0_H	x100 <sub>B</sub>					
WORD0_L	HWORD0	x000 <sub>B</sub>					
combine for 2 aligned corrections							
CORADR <sub>n</sub> = x000 <sub>B</sub>	CORVAL <sub>n</sub> = WORD0_L << 16 + HWORD0						
CORADR <sub>m</sub> = x100 <sub>B</sub>	CORVAL <sub>m</sub> = HWORD1 << 16 + WORD0_H						

Halfwords correction				
<table border="1"> <tr> <td style="width: 50px; height: 20px;">HWORD3</td> <td style="width: 50px; height: 20px;">HWORD2</td> <td style="width: 50px;">xx00<sub>B</sub></td> </tr> </table>	HWORD3	HWORD2	xx00 <sub>B</sub>	
HWORD3	HWORD2	xx00 <sub>B</sub>		
combine for 1 aligned access				
CORADR <sub>n</sub> = x000 <sub>B</sub>	CORVAL <sub>n</sub> = HWORD3 << 16 + HWORD2			

Unaligned words correction										
<table border="1"> <tr> <td style="width: 50px; height: 20px;">no correction target</td> <td style="width: 50px; height: 20px;">WORD1_H</td> <td style="width: 50px;">x100<sub>B</sub></td> </tr> <tr> <td style="width: 50px; height: 20px;">WORD1_L</td> <td style="width: 50px; height: 20px;">WORD2_H</td> <td style="width: 50px;">x100<sub>B</sub></td> </tr> <tr> <td style="width: 50px; height: 20px;">WORD2_L</td> <td style="width: 50px; height: 20px;">no correction target</td> <td style="width: 50px;">x000<sub>B</sub></td> </tr> </table>	no correction target	WORD1_H	x100 <sub>B</sub>	WORD1_L	WORD2_H	x100 <sub>B</sub>	WORD2_L	no correction target	x000 <sub>B</sub>	
no correction target	WORD1_H	x100 <sub>B</sub>								
WORD1_L	WORD2_H	x100 <sub>B</sub>								
WORD2_L	no correction target	x000 <sub>B</sub>								
combine for 3 aligned corrections										
CORADR <sub>n</sub> = 0000 <sub>B</sub>	CORVAL <sub>n</sub> = WORD1_H									
CORADR <sub>m</sub> = 0100 <sub>B</sub>	CORVAL <sub>m</sub> = WORD1_L << 16 + WORD2_H									
CORADR <sub>l</sub> = 1000 <sub>B</sub>	CORVAL <sub>l</sub> = WORD2_L << 16									

Isolated unaligned word correction							
<table border="1"> <tr> <td style="width: 50px; height: 20px;">no correction target</td> <td style="width: 50px; height: 20px;">WORD0_H</td> <td style="width: 50px;">x100<sub>B</sub></td> </tr> <tr> <td style="width: 50px; height: 20px;">WORD0_L</td> <td style="width: 50px; height: 20px;">no correction target</td> <td style="width: 50px;">x000<sub>B</sub></td> </tr> </table>	no correction target	WORD0_H	x100 <sub>B</sub>	WORD0_L	no correction target	x000 <sub>B</sub>	
no correction target	WORD0_H	x100 <sub>B</sub>					
WORD0_L	no correction target	x000 <sub>B</sub>					
single unaligned correction							
CORADR <sub>n</sub> = x010 <sub>B</sub>	CORVAL <sub>n</sub> = WORD3_L << 16 + WORD3_H						

Table 9-1 ROM correction address settings

**9.2.4 “Data Replacement” ROM correction registers**

**(1) CORCTL0 - VFB flash/ROM “Data Replacement” ROM correction control register 0**

This register enables or disables the “Data Replacement” VFB flash/ROM ROM correction of each channel.

**Access** This register can be read/written in 8- and 1-bit units.

**Address** FFFF F900<sub>H</sub>

**Initial Value** 00<sub>H</sub>

7	6	5	4	3	2	1	0
0	0	CORCEN5	CORCEN4	CORCEN3	CORCEN2	CORCEN1	CORCEN0
R	R	R/W	R/W	R/W	R/W	R/W	R/W

**Table 9-2 CORCTL0 register contents**

Bit Position	Bit Name	Function
5 to 0	CORCENn	ROM correction channel 0: ROM correction for channel n disabled 1: ROM correction for channel n enabled

ROM correction of channel n should only be enabled after the correction address (CORADRn), the correction value (CORVALn) and the word/halfword selection (CORCTL1) have been set.

**(2) CORCTL1 - VFB flash/ROM “Data Replacement” ROM correction control register 1**

This register determines whether the word (32-bit) or halfword (16-bit) value of CORVALn replaces the VFB flash/ROM contents.

**Access** This register can be read/written in 8- and 1-bit units.

**Address** FFFF F901<sub>H</sub>

**Initial Value** 00<sub>H</sub>

7	6	5	4	3	2	1	0
0	0	HW5	HW4	HW3	HW2	HW1	HW0
R	R	R/W	R/W	R/W	R/W	R/W	R/W

**Table 9-3 CORCTL1 register contents**

Bit Position	Bit Name	Function
5 to 0	HWn	Word - halfword 0: Word value of CORVALn replaces the flash/ROM contents 1: Halfword value of CORVALn replaces the flash/ROM contents

www.DataSheet4U.com

**Note** CORCTL1.HWn shall only be changed when the corresponding channel is disabled (CORCTL0.CORCENn = 0).

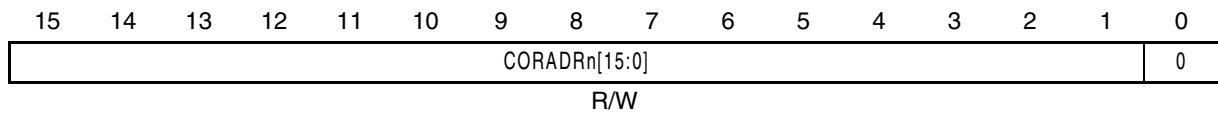
**(3) CORADRnL - VFB flash/ROM “Data Replacement” ROM correction low address register**

These registers hold the lower 16 bit of the address where the VFB flash/ROM ROM correction should be performed.

**Access** These registers can be read/written in 16- and 8-bit units.

**Address** CORADR0L, CORADR0LL: FFFF F910<sub>H</sub>      CORADR0LH: FFFF F911<sub>H</sub>  
 CORADR1L, CORADR1LL: FFFF F914<sub>H</sub>      CORADR1LH: FFFF F915<sub>H</sub>  
 CORADR2L, CORADR2LL: FFFF F918<sub>H</sub>      CORADR2LH: FFFF F919<sub>H</sub>  
 CORADR3L, CORADR3LL: FFFF F91C<sub>H</sub>      CORADR3LH: FFFF F91D<sub>H</sub>  
 CORADR4L, CORADR4LL: FFFF F920<sub>H</sub>      CORADR4LH: FFFF F921<sub>H</sub>  
 CORADR5L, CORADR5LL: FFFF F924<sub>H</sub>      CORADR5LH: FFFF F925<sub>H</sub>

**Initial Value** 0000<sub>H</sub>



**Table 9-4 CORADRnL register contents**

Bit Position	Bit Name	Function
15 to 0	CORADRn [15:0]	Lower 16 bit of the ROM correction address of channel n. Bit 0 is fixed to 0, writing to this bit is ignored.

**Note** CORADRnL shall only be changed when the corresponding channel is disabled (CORCTL0.CORCENn = 0).

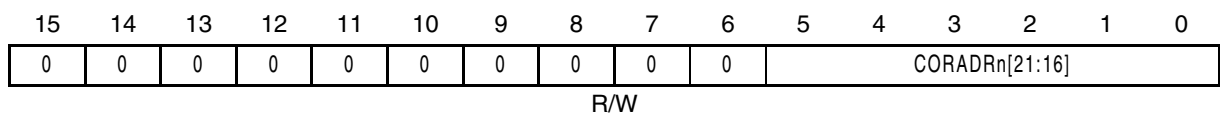
**(4) CORADRnH - VFB flash/ROM “Data Replacement” ROM correction high address register**

These registers hold the upper 6 bit of the address where the VFB flash/ROM ROM correction should be performed.

**Access** These registers can be read/written in 16- and 8-bit units.

**Address** CORADR0H, CORADR0HL: FFFF F912<sub>H</sub>      CORADR0HH: FFFF F913<sub>H</sub>  
 CORADR1H, CORADR1HL: FFFF F916<sub>H</sub>      CORADR1HH: FFFF F917<sub>H</sub>  
 CORADR2H, CORADR2HL: FFFF F91A<sub>H</sub>      CORADR2HH: FFFF F91B<sub>H</sub>  
 CORADR3H, CORADR3HL: FFFF F91E<sub>H</sub>      CORADR3HH: FFFF F91F<sub>H</sub>  
 CORADR4H, CORADR4HL: FFFF F922<sub>H</sub>      CORADR4HH: FFFF F923<sub>H</sub>  
 CORADR5H, CORADR5HL: FFFF F926<sub>H</sub>      CORADR5HH: FFFF F927<sub>H</sub>

**Initial Value** 0000<sub>H</sub>



**Table 9-5 CORADRnH register contents**

Bit Position	Bit Name	Function
5 to 0	CORADRn [21:16]	Lower 16 bit of the ROM correction address of channel n. Bits 15 to 6 are fixed to 0, writing to these bits is ignored.

**Caution** The ROM correction address CORADRn[21:0] must not exceed the upper address of the internal VSB ROM respectively VSB flash memory. If the internal VSB ROM/flash memory size is less than 4 MB the appropriate number of upper address bits of CORADRn[21:0] must be set to 0.

Example: If the internal VSB ROM/flash memory size is 1 MB, CORADRn[21:20], i.e. bit 5 and 4 of the CORADRnH, must be set to 00<sub>B</sub>. The allowed address range is 0000 0000<sub>H</sub> to 000F FFFF<sub>H</sub>.

**Note** CORADRnH shall only be changed when the corresponding channel is disabled (CORCTL0.CORCENn = 0).

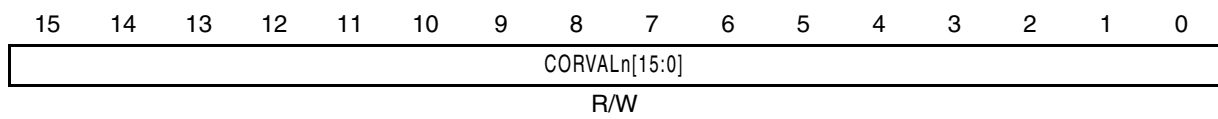
**(5) CORVALnL - VFB flash/ROM “Data Replacement” ROM correction value register**

These registers hold the lower 16 bit of the value that shall replace the original value from the VFB flash/ROM.

**Access** These registers can be read/written in 16-bit units.

**Address** CORVAL0L: FFFF F930<sub>H</sub>  
 CORVAL1L: FFFF F934<sub>H</sub>  
 CORVAL2L: FFFF F938<sub>H</sub>  
 CORVAL3L: FFFF F93C<sub>H</sub>  
 CORVAL4L: FFFF F940<sub>H</sub>  
 CORVAL5L: FFFF F944<sub>H</sub>

**Initial Value** 0000<sub>H</sub>



**Table 9-6 CORVALnL register contents**

Bit Position	Bit Name	Function
15 to 0	CORVALn [15:0]	Lower 16 bit of the correction value to replace the ROM contents.

**Note** CORVALnL shall only be changed when the corresponding channel is disabled (CORCTL0.CORCENn = 0).

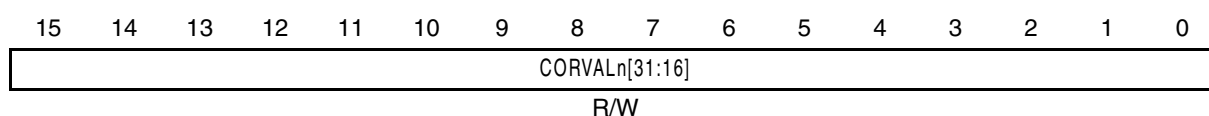
**(6) CORVALnH - VFB flash/ROM “Data Replacement” ROM correction value register**

These registers hold the upper 16 bit of the value that shall replace the original value from the VFB flash/ROM.

**Access** These registers can be read/written in 16-bit units.

**Address** CORVAL0H: FFFF F932<sub>H</sub>  
 CORVAL1H: FFFF F936<sub>H</sub>  
 CORVAL2H: FFFF F93A<sub>H</sub>  
 CORVAL3H: FFFF F93E<sub>H</sub>  
 CORVAL4H: FFFF F942<sub>H</sub>  
 CORVAL5H: FFFF F946<sub>H</sub>

**Initial Value** 0000<sub>H</sub>



**Table 9-7 CORVALnH register contents**

Bit Position	Bit Name	Function
15 to 0	CORVALn [31:16]	Upper 16 bit of the correction value to replace the ROM contents.

**Note** CORVALnH shall only be changed when the corresponding channel is disabled (CORCTL0.CORCENn = 0).



### 9.3 “DBTRAP” ROM Correction Unit

- 1 x 8 channels for VFB flash memory and ROM
- 1 x 8 channels for VSB flash memory (for  $\mu$ PD70F3426A only)
- The individual channels of each the “DBTRAP” ROM correction unit are identified by “m” (m = 0 to 7)
- Programmable correction address for each channel
- “DBTRAP” exception processing upon correction address match
- Enable/Disable of each channel individually by software

**Caution** The “DBTRAP” ROM correction unit is also used by the N-Wire on-chip debug unit. Thus ROM correction will not be performed on these correction channels when the microcontroller is operating in N-Wire debug mode.

**Note** In the following only the register names of the “DBTRAP” ROM correction unit for the VFB flash/ROM is used for both “DBTRAP” ROM correction units, for VFB flash/ROM and  $\mu$ PD70F3426A VSB flash memory.

- CORCN (VFB flash/ROM) stands also for  $\mu$ PD70F3426A’s COR2CN (VSB flash memory)
- CORADn (VFB flash/ROM) stands also for  $\mu$ PD70F3426A’s COR2ADn (VSB flash memory)

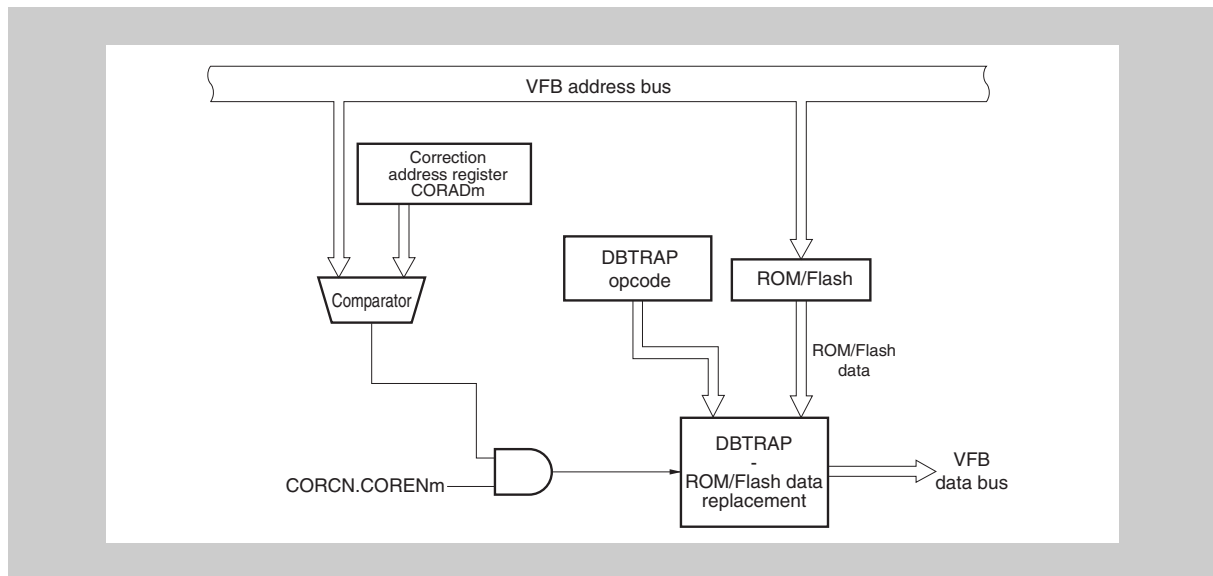


Figure 9-8 “DBTRAP” ROM correction block diagram

www.DataSheet4U.com

### 9.3.1 “DBTRAP” ROM correction operation

The “DBTRAP” ROM correction unit compares the address on the V850 fetch bus (VFB) with the contents of the programmable correction address registers CORADm. If an address matches, the DBTRAP instruction opcode is put on the V850 fetch bus instead of the ROM contents. If no address matches, the ROM contents is passed on the fetch bus as normal.

The DBTRAP exception branches to the DBTRAP/ILGOP exception handler address 0000 0060<sub>H</sub>, which comprises the user’s ROM correction instructions.

Since the ROM correction routines for all correction channels are invoked at the DBTRAP exception handler address 0000 0060<sub>H</sub>, the exception handler has to evaluate first the right correction routine to be executed. This is done by reading the DBPC register, which holds the address next to the correction address of CORADm, which has caused the DBTRAP exception. If non of CORADm matches DBPC - 2, DBTRAP was generated by an illegal opcode detection event ILGOP. For further details concerning DBTRAP/ILGOP handling refer to “*Exception Trap*” on page 261.

*Figure 9-9* outlines a typical program flow for using the “DBTRAP” ROM correction.

1. If the address CORADm to be corrected and the fetch address of the internal ROM memory match, the instruction code fetched from ROM is replaced by the DBTRAP instruction.
2. When the DBTRAP instruction is executed, execution branches to address 0000 0060<sub>H</sub>.
3. The DBTRAP evaluation routine identifies the cause of the DBTRAP exception and launches either the appropriate ROM correction routine or the ILGOP handler.
4. In case several consecutive ROM instruction are replaced by ROM correction code the return address in DBPC must be corrected. It may also be required to correct some flags in the DBPSW register.
5. Return processing is started by the DBRET instruction.

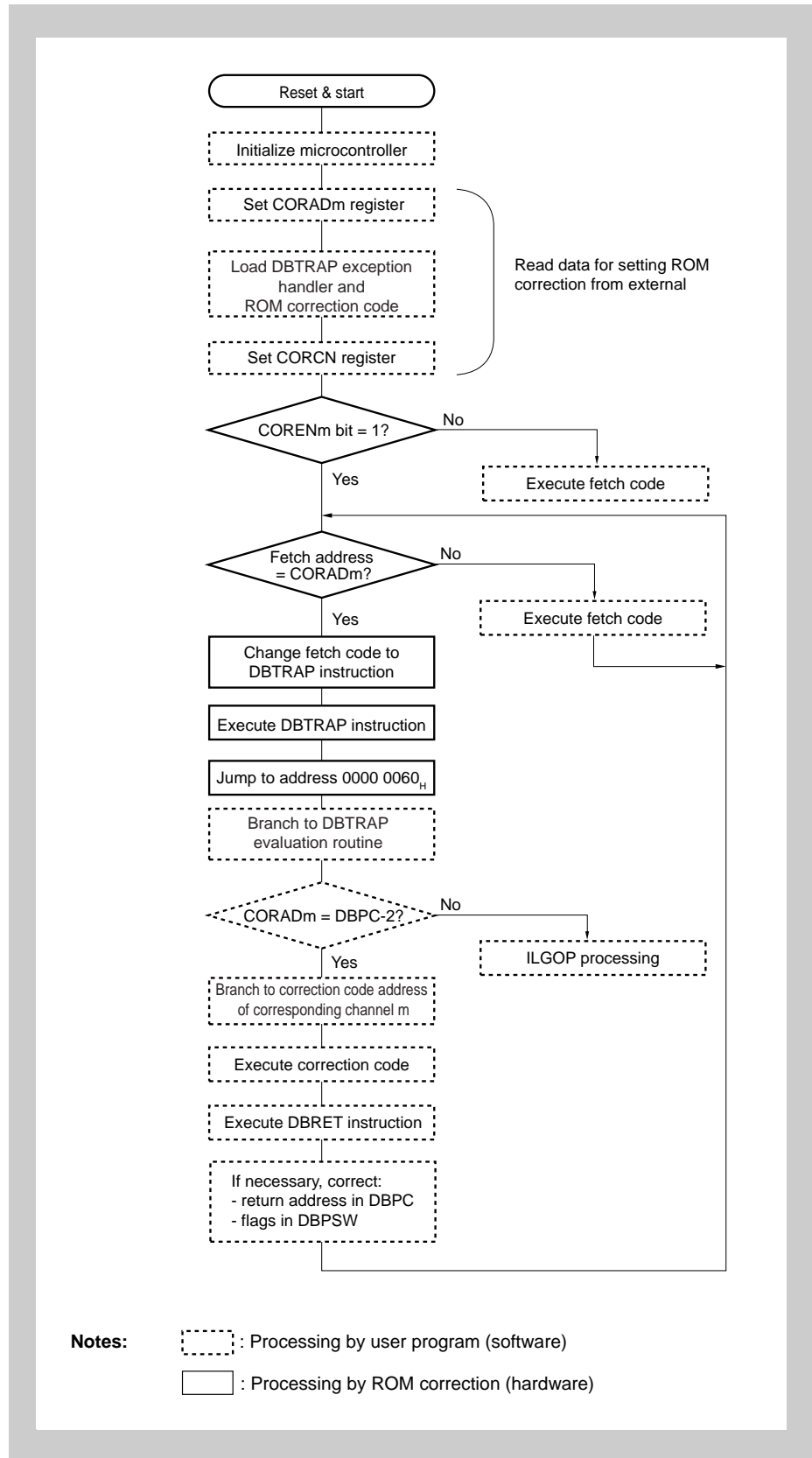


Figure 9-9 ROM correction operation and program flow

### 9.3.2 “DBTRAP” ROM correction registers

#### (1) CORCN - VFB flash/ROM “DBTRAP” ROM correction control register

This register enables or disables the VFB flash/ROM ROM correction of each channel.

**Access** This register can be read/written in 8- and 1-bit units.

**Address** FFFF F880<sub>H</sub>

**Initial Value** 0000<sub>H</sub>

7	6	5	4	3	2	1	0
COREN7	COREN6	COREN5	COREN4	COREN3	COREN2	COREN1	COREN0
R/W	R/W	R/W	R/W	R/W	R/W	R/W	R/W

Table 9-8 CORCN register contents

Bit Position	Bit Name	Function
7 to 0	CORENm	ROM correction channel 0: ROM correction for channel m disabled 1: ROM correction for channel m enabled

**Note** ROM correction of channel n should only be enabled after the correction address CORAD<sub>m</sub> has been set.

#### (2) COR2CN - VSB flash “DBTRAP” ROM correction control register (μPD70F3426A only)

This register enables or disables VSB flash memory ROM correction of each channel.

**Access** This register can be read/written in 8- and 1-bit units.

**Address** FFFF F9D0<sub>H</sub>

**Initial Value** 0000<sub>H</sub>

7	6	5	4	3	2	1	0
COR2EN7	COR2EN6	COR2EN5	COR2EN4	COR2EN3	COR2EN2	COR2EN1	COR2EN0
R/W	R/W	R/W	R/W	R/W	R/W	R/W	R/W

Table 9-9 COR2CN register contents

Bit Position	Bit Name	Function
7 to 0	COR2ENm	ROM correction channel 0: ROM correction for channel m disabled 1: ROM correction for channel m enabled

**Note** ROM correction of channel n should only be enabled after the correction address COR2AD<sub>m</sub> has been set.

**(3) CORADm - VFB flash/ROM “DBTRAP” ROM Correction address register**

These registers hold the address where the VFB flash/ROM correction should be performed.

**Access** These registers can be read/written in 32-bit (CORADm) and 16-bit units (CORADmL for bits 15 to 0, CORADmH for bits 31 to 16).

<b>Address</b>	CORAD0, CORAD0L:	FFFF F840 <sub>H</sub>	CORAD0H:	FFFF F842 <sub>H</sub>
	CORAD1, CORAD1L:	FFFF F844 <sub>H</sub>	CORAD1H:	FFFF F846 <sub>H</sub>
	CORAD2, CORAD2L:	FFFF F848 <sub>H</sub>	CORAD2H:	FFFF F84A <sub>H</sub>
	CORAD3, CORAD3L:	FFFF F84C <sub>H</sub>	CORAD3H:	FFFF F84E <sub>H</sub>
	CORAD4, CORAD4L:	FFFF F850 <sub>H</sub>	CORAD4H:	FFFF F852 <sub>H</sub>
	CORAD5, CORAD5L:	FFFF F854 <sub>H</sub>	CORAD5H:	FFFF F856 <sub>H</sub>
	CORAD6, CORAD6L:	FFFF F858 <sub>H</sub>	CORAD6H:	FFFF F85A <sub>H</sub>
	CORAD7, CORAD7L:	FFFF F85C <sub>H</sub>	CORAD7H:	FFFF F85E <sub>H</sub>

**Initial Value** 0000 0000<sub>H</sub>

	15	14	13	12	11	10	9	8	7	6	5	4	3	2	1	0
	CORADm[15:0]															0
	R/W	R/W	R/W	R/W	R/W	R/W	R/W	R/W	R/W	R/W	R/W	R/W	R/W	R/W	R/W	R
	31	30	29	28	27	26	25	24	23	22	21	20	19	18	17	16
	0	0	0	0	0	0	0	0	0	0	0	0	CORADm[19:16]			
	R/W															

**Table 9-10 CORADm register contents**

Bit Position	Bit Name	Function
19 to 0	CORADm [19:0]	Lower 16 bit of the ROM correction address of channel m. Bit 0 and bits 31 to 20 are fixed to 0, writing to these bits is ignored.

**Caution** The ROM correction address CORADm[19:0] must not exceed the upper address of the internal ROM respectively flash memory. If the internal ROM/flash memory size is less than 1 MB the appropriate number of upper address bits of CORADm[19:0] must be set to 0.

**Note** CORADm shall only be changed when the corresponding channel is disabled (CORCN.CORENm = 0).

**(4) COR2ADm - VSB flash “DBTRAP” ROM Correction address register (μPD70F3426A only)**

These registers hold the address where the VSB flash memory correction should be performed.

**Access** These registers can be read/written in 32-bit (COR2ADm) and 16-bit units (COR2ADmL for bits 15 to 0, COR2ADmH for bits 31 to 16).

**Address**

COR2AD0, COR2AD0L:	FFFF F8A0 <sub>H</sub>	COR2AD0H:	FFFF F8A2 <sub>H</sub>
COR2AD1, COR2AD1L:	FFFF F8A4 <sub>H</sub>	COR2AD1H:	FFFF F8A6 <sub>H</sub>
COR2AD2, COR2AD2L:	FFFF F8A8 <sub>H</sub>	COR2AD2H:	FFFF F8AA <sub>H</sub>
COR2AD3, COR2AD3L:	FFFF F8AC <sub>H</sub>	COR2AD3H:	FFFF F8AE <sub>H</sub>
COR2AD4, COR2AD4L:	FFFF F8B0 <sub>H</sub>	COR2AD4H:	FFFF F8B2 <sub>H</sub>
COR2AD5, COR2AD5L:	FFFF F8B4 <sub>H</sub>	COR2AD5H:	FFFF F8B6 <sub>H</sub>
COR2AD6, COR2AD6L:	FFFF F8B8 <sub>H</sub>	COR2AD6H:	FFFF F8BA <sub>H</sub>
COR2AD7, COR2AD7L:	FFFF F8BC <sub>H</sub>	COR2AD7H:	FFFF F8BE <sub>H</sub>

**Initial Value** 0000 0000<sub>H</sub>

15	14	13	12	11	10	9	8	7	6	5	4	3	2	1	0
COR2ADm[15:0]															0
R/W	R/W	R/W	R/W	R/W	R/W	R/W	R/W	R/W	R/W	R/W	R/W	R/W	R/W	R/W	R
31	30	29	28	27	26	25	24	23	22	21	20	19	18	17	16
0	0	0	0	0	0	0	0	0	0	0	0	COR2ADm[19:16]			
R/W															

**Table 9-11 COR2ADm register contents**

Bit Position	Bit Name	Function
19 to 0	COR2ADm [19:0]	Lower 16 bit of the ROM correction address of channel m. Bit 0 and bits 31 to 20 are fixed to 0, writing to these bits is ignored.

**Caution** The ROM correction address COR2ADm[19:0] must not exceed the upper address of the internal VSB flash memory.

**Note** COR2ADm shall only be changed when the corresponding channel is disabled (COR2CN.COR2ENm = 0).

# Chapter 10 Code Protection and Security

## 10.1 Overview

The microcontroller supports various methods for protecting the program code in the flash memory from undesired access, such as illegal read-out or illegal reprogramming.

Some interfaces offer in general access to the internal flash memory: N-Wire debug interface, external flash programmer interface, self-programming facilities and test interfaces.

In the following the security relevant items are listed. The features to protect the internal flash memory data from being read by unauthorized persons are described.

For more information on the flash memory, see “Flash Memory“ on page 269.

The following sections give an overview about supported code protection methods.

## 10.2 Boot ROM

Undesired access to the flash memory via the boot ROM is not possible.

## 10.3 N-Wire Debug Interface

In general, illegal read-out of the flash memory contents is possible via the N-Wire debug interface. For protection of the flash memory, the usage of the debug interface can be protected and it can be disabled. The debug interface is protected via a 10-byte ID code and an internal flag (N-Wire use enable flag).

When the debugger is started, the status of a flag is queried (N-Wire use enable flag). Set this flag to zero to disable the use of the N-Wire in-circuit emulator.

When debugging is enabled (N-Wire use enable flag is set), you have to enter a 10-byte ID code via the debugger. The code is compared with the ID code stored in the internal flash memory. If the codes do not match, debugging is not possible.

The N-Wire use enable flag can be set or reset while reprogramming the flash by an external flash writer or with the self-programming feature. The flag is located at bit 7 at address 0000 0079<sub>H</sub>.

You can specify your own 10-byte ID code and program it to the internal flash memory by an external flash writer or with the self-programming feature. The ID code is located in the address range 0000 0070<sub>H</sub> to 0000 0079<sub>H</sub>.

The protection levels are summarized in *Table 10-1*

Table 10-1 Possible results of ID code comparison

N-Wire use enable flag	ID code	Protection Level
0	X <sup>a</sup>	Level 2: Full protection N-Wire debug interface cannot be used. <sup>b</sup>
1	user-specific ID code	Level 1: ID code protection N-Wire debug interface can only be used if the user enters the correct ID code.
	ID code is all ones <sup>c</sup>	Level 0: No protection N-Wire debug interface can be used.

a) Codes are not compared

b) Once the N-Wire debug interface has been set as “use-prohibited”, it cannot be used until the flash memory is re-programmed.

c) This is the default state after the flash memory has been erased.

- Note**
1. After you have set protection levels 1 or 2, set the “block erase disable flag” in the flash extra area. Otherwise, an unauthorized person could erase the block that contains the ID code or the “N-Wire use enable flag”, respectively, and thus suspend the protection.
  2. If an unauthorized user tries to find out the 10-byte ID by comparing all possible ID codes, this will take up to  $3.83 \times 10^8$  years at 100 MHz.

For more details refer to “Security function” on page 971.



## 10.4 Flash Writer and Self-Programming Protection

In general, illegal read-out and re-programming of the flash memory contents is possible via the flash writer interface and the self-programming feature. For protection of the flash memory, the following flags provide various protection levels.

The flags can be set by flash programmers. For a description of flash memory programming see *"Flash Memory"* on page 269.

### (1) Program protection flag (Program protection function)

Set this flag to disable the programming function via flash writer interface. This flag does not affect the self-programming interface.

The flag is valid for the whole flash memory.

### (2) Chip erase protection flag (Chip erase protection function)

Set this flag to disable the chip erase function via flash writer interface. This flag does not affect the self-programming interface.

### (3) Block erase protection flag (Block erase protection function)

Set this flag to disable the feature to erase single blocks via flash writer interface. This flag does not affect the self-programming interface.

This flag does not affect the chip erase function.

The flag is valid for the whole flash memory.

### (4) Read-out protection flag (Read-out protection function)

Set this flag to disable the feature that allows reading back the flash memory via flash writer interface. This flag does not affect the self-programming interface.

This flag is valid for the whole flash memory.

### (5) Boot block cluster protection flag

Set this flag to disable erasure and rewrite of the boot block cluster. The boot block cluster can not be manipulated in any way (no erase/write).

This applies in serial and self-programming mode.

Once this flag is set, it is impossible to reset this flag. Thus the boot block cluster content can not be changed any more.

## 10.5 Additional Firmware Functions

The internal firmware provides several additional features related to protection and security. These are listed above.

### 10.5.1 ID-field

A dedicated 64-byte ID-field is provided to hold user defined information, like for instance S/W versions.

The ID-field is stored in the user space of the flash memory, starting at address 0000 0800<sub>H</sub>.

The firmware allows to read the ID-field via an external flash programmer data even if the read-out protection flag (refer to *10.4 on page 395*) is set.

### 10.5.2 Checksum calculation

A dedicated firmware function calculates a checksum over the flash memory contents.

The algorithm to calculate the checksum is “Standard CRC32”.

The checksum calculation starts from address 0000 0000<sub>H</sub> to the address stored at 0000 0840<sub>H</sub> to 0000 0843<sub>H</sub>.

The bytes stored at 0000 0840<sub>H</sub> to 0000 0843<sub>H</sub> are subject to the checksum.

The 64-byte ID-field is not subject to this checksum.

The firmware allows to read the checksum via an external flash programmer data even if the read-out protection flag (refer to *10.4 on page 395*) is set.

### 10.5.3 Variable reset vector

The reset vector, determining the start of the user’s program is stored in an “extra area” of the flash memory. This vector is configurable via an external flash programmer and by self-programming.

# Chapter 11 16-bit Timer/Event Counter P (TMP)

Timer P (TMP) is a 16-bit timer/event counter.

The V850E/Dx3 microcontrollers have following instances of the 16-bit timer/event counter TMP:

TMP	All devices
Instances	4
Names	TMP0 to TMP3

Throughout this chapter, the individual instances of Timer P are identified by “n”, for example TMPn, or TPnCTL0 for the TMPn control register 0.

## 11.1 Overview

An outline of TMPn is shown below.

- Clock selection: 8 ways
- Capture/trigger input pins: 2
- External event count input pins: 1
- External trigger input pins: 1
- Timer/counters: 1
- Capture/compare registers: 2
- Capture/compare match interrupt request signals: 2
- Timer output pins: 2

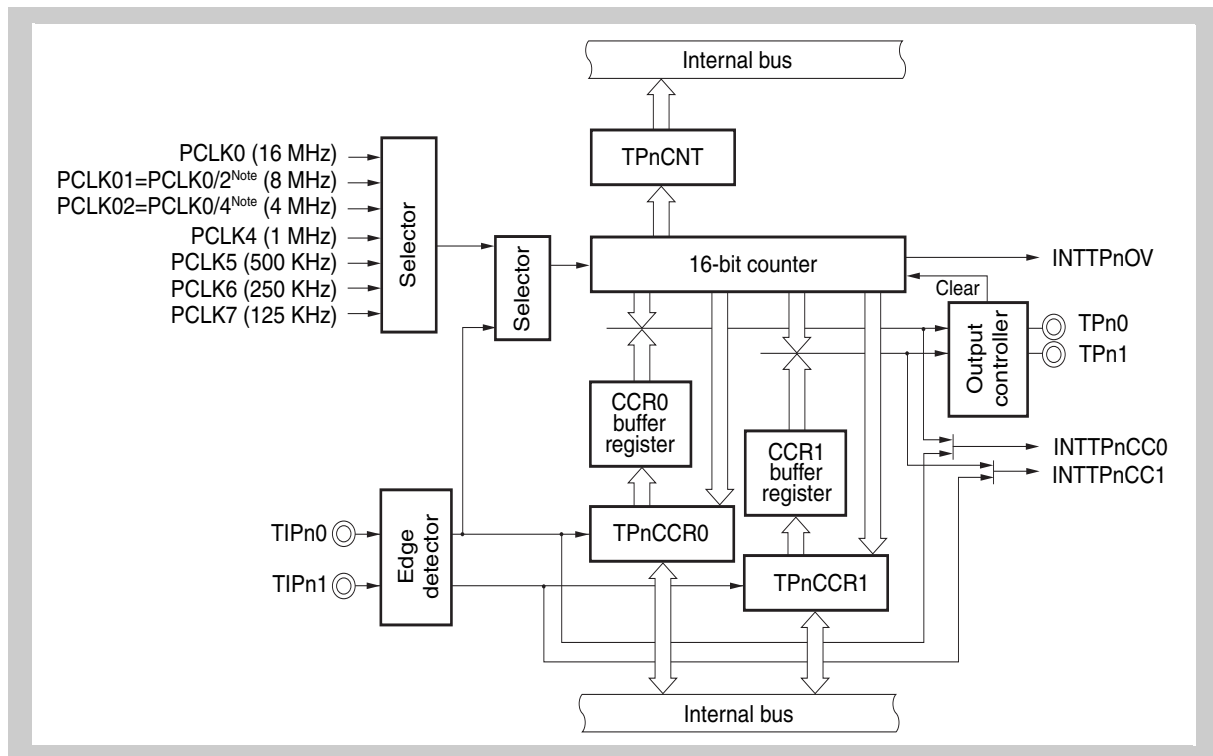
## 11.2 Functions

TMPn has the following functions.

- Interval timer
- External event counter
- External trigger pulse output
- One-shot pulse output
- PWM output
- Free-running timer
- Pulse width measurement
- TMP0 and TMP1 can be used for triggering the DMA Controller.
- All TMPn can be optionally stopped when a breakpoint is hit during debugging (refer to “On-Chip Debug Unit” on page 969).

## 11.3 Configuration

TMPn includes the following hardware.



www.DataSheet4U.com **Figure 11-1** Block diagram of TMPn

The second (PCLK01) and the third (PCLK02) clock selector input is not supplied from the Clock Generator, but derived from the first selector input PCLK0 inside the timer P.

In case the PLL is disabled the PCLKx clocks are supplied from the main oscillator, i.e.:

- PCLK0 = 4 MHz
- PCLK01 = PCLK0/2 = 2 MHz
- PCLK02 = PCLK0/4 = 1 MHz

For information about PCLKx, please refer to “Clock Generator” on page 139.

**(1) 16-bit counter**

This 16-bit counter can count internal clocks or external events.

The count value of this counter can be read by using the TPnCNT register.

When the TPnCTL0.TPnCE bit = 0, the value of the 16-bit counter is FFFFH. If the TPnCNT register is read at this time, 0000H is read.

Reset input clears the TPnCE bit to 0. Therefore, the 16-bit counter is set to FFFFH.

**(2) CCR0 buffer register**

This is a 16-bit compare register that compares the count value of the 16-bit counter.

When the TPnCCR0 register is used as a compare register, the value written to the TPnCCR0 register is transferred to the CCR0 buffer register. When the count value of the 16-bit counter matches the value of the CCR0 buffer register, a compare match interrupt request signal (INTTPnCC0) is generated.

The CCR0 buffer register cannot be read or written directly.

The CCR0 buffer register is cleared to 0000H after reset, as the TPnCCR0 register is cleared to 0000H.

**(3) CCR1 buffer register**

This is a 16-bit compare register that compares the count value of the 16-bit counter.

When the TPnCCR1 register is used as a compare register, the value written to the TPnCCR1 register is transferred to the CCR1 buffer register. When the count value of the 16-bit counter matches the value of the CCR1 buffer register, a compare match interrupt request signal (INTTPnCC1) is generated.

The CCR1 buffer register cannot be read or written directly.

The CCR1 buffer register is cleared to 0000H after reset, as the TPnCCR1 register is cleared to 0000H.

**(4) Edge detector**

This circuit detects the valid edges input to the TIPn0 and TIPn1 pins. No edge, rising edge, falling edge, or both the rising and falling edges can be selected as the valid edge by using the TPnIOC1 and TPnIOC2 registers.

**(5) Output controller**

This circuit controls the output of the TOPn0 and TOPn1 pins. The output controller is controlled by the TPnIOC0 register.

**(6) Selector**

This selector selects the count clock for the 16-bit counter. Eight types of internal clocks or an external event can be selected as the count clock.

## 11.4 TMP Registers

The TMPn are controlled and operated by means of the following registers:

Table 11-1 TMPn registers overview

Register name	Shortcut	Address
TMPn control registers 0	TPnCTL0	<base>
TMPn control registers 1	TPnCTL1	<base> + 1 <sub>H</sub>
TMPn I/O control register 0	TPnIOC0	<base> + 2 <sub>H</sub>
TMPn I/O control register 1	TPnIOC1	<base> + 3 <sub>H</sub>
TMPn I/O control register 2	TPnIOC2	<base> + 4 <sub>H</sub>
TMPn option registers 0	TPnOPT0	<base> + 5 <sub>H</sub>
TMPn capture/compare registers 0	TPnCCR0	<base> + 6 <sub>H</sub>
TMPn capture/compare registers 1	TPnCCR1	<base> + 8 <sub>H</sub>
TMPn counter read buffer register	TPnCNT	<base> + A <sub>H</sub>

Table 11-2 TMPn register base address

Timer	Base address
TMP0	FFFF F660 <sub>H</sub>
TMP1	FFFF F670 <sub>H</sub>
TMP2	FFFF F680 <sub>H</sub>
TMP3	FFFF F690 <sub>H</sub>

**(1) TPnCTL0 - TMPn control register 0**

The TPnCTL0 register is an 8-bit register that controls the operation of TMPn.

**Access** This register can be read/written in 8-bit or 1-bit units.

**Address** <base>

**Initial Value** 00<sub>H</sub>. This register is initialized by any reset.

The same value can always be written to the TPnCTL0 register by software.

7	6	5	4	3	2	1	0
TPnCE	0	0	0	0	TPnCKS2	TPnCKS1	TPnCKS0
R/W	R/W	R/W	R/W	R/W	R/W	R/W	R/W

Table 11-3 TPnCTL0 register contents

Bit position	Bit name	Function																																				
7	TPnCE	TMPn operation disable/enable: 0: TMPn operation disabled (TMPn reset asynchronously: reset of TPnOPT0.TPnOVF bit, 16-bit counter, timer output (TOPn0, TOPn1 pins)) 1: TMPn operation enabled (TMPn operation starts)																																				
2 to 0	TPnCKS[2:0]	Internal count clock selection: <table border="1" style="margin-left: 20px;"> <thead> <tr> <th>TPnCKS2</th> <th>TPnCKS1</th> <th>TPnCKS0</th> <th>Internal count clock</th> </tr> </thead> <tbody> <tr> <td style="text-align: center;">0</td> <td style="text-align: center;">0</td> <td style="text-align: center;">0</td> <td>PCLK0</td> </tr> <tr> <td style="text-align: center;">0</td> <td style="text-align: center;">0</td> <td style="text-align: center;">1</td> <td>PCLK01 = PCLK0/2</td> </tr> <tr> <td style="text-align: center;">0</td> <td style="text-align: center;">1</td> <td style="text-align: center;">0</td> <td>PCLK02 = PCLK0/4</td> </tr> <tr> <td style="text-align: center;">0</td> <td style="text-align: center;">1</td> <td style="text-align: center;">1</td> <td>Prohibited</td> </tr> <tr> <td style="text-align: center;">1</td> <td style="text-align: center;">0</td> <td style="text-align: center;">0</td> <td>PCLK4</td> </tr> <tr> <td style="text-align: center;">1</td> <td style="text-align: center;">0</td> <td style="text-align: center;">1</td> <td>PCLK5</td> </tr> <tr> <td style="text-align: center;">1</td> <td style="text-align: center;">1</td> <td style="text-align: center;">0</td> <td>PCLK6</td> </tr> <tr> <td style="text-align: center;">1</td> <td style="text-align: center;">1</td> <td style="text-align: center;">1</td> <td>PCLK7</td> </tr> </tbody> </table>	TPnCKS2	TPnCKS1	TPnCKS0	Internal count clock	0	0	0	PCLK0	0	0	1	PCLK01 = PCLK0/2	0	1	0	PCLK02 = PCLK0/4	0	1	1	Prohibited	1	0	0	PCLK4	1	0	1	PCLK5	1	1	0	PCLK6	1	1	1	PCLK7
TPnCKS2	TPnCKS1	TPnCKS0	Internal count clock																																			
0	0	0	PCLK0																																			
0	0	1	PCLK01 = PCLK0/2																																			
0	1	0	PCLK02 = PCLK0/4																																			
0	1	1	Prohibited																																			
1	0	0	PCLK4																																			
1	0	1	PCLK5																																			
1	1	0	PCLK6																																			
1	1	1	PCLK7																																			

- Caution**
1. Set the TPnCKS2 to TPnCKS0 bits when the TPnCE bit = 0.
  2. When the value of the TPnCE bit is changed from 0 to 1, the TPnCKS2 to TPnCKS0 bits can be set simultaneously.
  3. Be sure to clear bits 3 to 6 to 0.

**Note** For information about PCLKx, please refer to “Clock Generator” on page 139.



**(2) TPnCTL1 - TMPn control register 1**

The TPnCTL1 register is an 8-bit register that controls the operation of TMPn.

**Access** This register can be read/written in 8-bit or 1-bit units.

**Address** <base> + 1<sub>H</sub>

**Initial Value** 00<sub>H</sub>. This register is initialized by any reset.

7	6	5	4	3	2	1	0
0	TPnEST	TPnEEE	0	0	TPnMD2	TPnMD1	TPnMD0
R/W	R/W	R/W	R/W	R/W	R/W	R/W	R/W

Table 11-4 TPnCTL1 register contents

Bit position	Bit name	Function																																				
6	TPnEST	Software trigger control. 0: – 1: Generate a valid signal for external trigger input. <ul style="list-style-type: none"> <li>In one-shot pulse output mode: A one-shot pulse is output with writing 1 to the TPnEST bit as the trigger.</li> <li>In external trigger pulse output mode: A PWM waveform is output with writing 1 to the TPnEST bit as the trigger.</li> </ul>																																				
5	TPnEEE	Count clock selection: 0: Disable operation with external event count input. (Perform counting with the count clock selected by the TPnCTL0.TPnCK0 to TPnCK2 bits.) 1: Enable operation with external event count input. (Perform counting at the valid edge of the external event count input signal.) The TPnEEE bit selects whether counting is performed with the internal count clock or the valid edge of the external event count input.																																				
2 to 0	TPnMD[2:0]	Timer mode selection: <table border="1" style="width: 100%; border-collapse: collapse;"> <thead> <tr> <th style="text-align: center;">TPnMD2</th> <th style="text-align: center;">TPnMD1</th> <th style="text-align: center;">TPnMD0</th> <th style="text-align: center;">Timer mode</th> </tr> </thead> <tbody> <tr> <td style="text-align: center;">0</td> <td style="text-align: center;">0</td> <td style="text-align: center;">0</td> <td>Interval timer</td> </tr> <tr> <td style="text-align: center;">0</td> <td style="text-align: center;">0</td> <td style="text-align: center;">1</td> <td>External event count</td> </tr> <tr> <td style="text-align: center;">0</td> <td style="text-align: center;">1</td> <td style="text-align: center;">0</td> <td>External trigger pulse output</td> </tr> <tr> <td style="text-align: center;">0</td> <td style="text-align: center;">1</td> <td style="text-align: center;">1</td> <td>One-shot pulse output</td> </tr> <tr> <td style="text-align: center;">1</td> <td style="text-align: center;">0</td> <td style="text-align: center;">0</td> <td>PWM output</td> </tr> <tr> <td style="text-align: center;">1</td> <td style="text-align: center;">0</td> <td style="text-align: center;">1</td> <td>Free-running timer</td> </tr> <tr> <td style="text-align: center;">1</td> <td style="text-align: center;">1</td> <td style="text-align: center;">0</td> <td>Pulse width measurement</td> </tr> <tr> <td style="text-align: center;">1</td> <td style="text-align: center;">1</td> <td style="text-align: center;">1</td> <td>Setting prohibited</td> </tr> </tbody> </table>	TPnMD2	TPnMD1	TPnMD0	Timer mode	0	0	0	Interval timer	0	0	1	External event count	0	1	0	External trigger pulse output	0	1	1	One-shot pulse output	1	0	0	PWM output	1	0	1	Free-running timer	1	1	0	Pulse width measurement	1	1	1	Setting prohibited
TPnMD2	TPnMD1	TPnMD0	Timer mode																																			
0	0	0	Interval timer																																			
0	0	1	External event count																																			
0	1	0	External trigger pulse output																																			
0	1	1	One-shot pulse output																																			
1	0	0	PWM output																																			
1	0	1	Free-running timer																																			
1	1	0	Pulse width measurement																																			
1	1	1	Setting prohibited																																			

- Caution**
- The TPnEST bit is valid only in the external trigger pulse output mode or one-shot pulse output mode. In any other mode, writing 1 to this bit is ignored.
  - External event count input is selected in the external event count mode regardless of the value of the TPnEEE bit.

3. Set the TPnEEE and TPnMD2 to TPnMD0 bits when the TPnCTL0.TPnCE bit = 0. (The same value can be written when the TPnCE bit = 1.) The operation is not guaranteed when rewriting is performed with the TPnCE bit = 1. If rewriting was mistakenly performed, clear the TPnCE bit to 0 and then set the bits again.
4. Be sure to clear bits 3, 4, and 7 to 0.

**(3) TPnIOC0 - TMPn I/O control register 0**

The TPnIOC0 register is an 8-bit register that controls the timer output (TOPn0, TOPn1 pins).

**Access** This register can be read/written in 8-bit or 1-bit units.

**Address** <base> + 2<sub>H</sub>

**Initial Value** 00<sub>H</sub>. This register is initialized by any reset.

7	6	5	4	3	2	1	0
0	0	0	0	TPnOL1	TPnOE1	TPnOL0	TPnOE0
R/W	R/W	R/W	R/W	R/W	R/W	R/W	R/W

Table 11-5 TPnIOC0 register contents

Bit position	Bit name	Function
3	TPnOL1	TOPn1 pin output level setting: 0: TOPn1 pin output inversion disabled 1: TOPn1 pin output inversion enabled
2	TPnOE1	TOPn1 pin output setting: 0: Timer output disable – when TPnOL1 = 0: low level is output from TOPn1 pin – when TPnOL1 = 1: high level is output from TOPn1 pin 1: Timer output enable (A square wave is output from TOPn1 pin.)
1	TPnOL0	TOPn0 pin output level setting: 0: TOPn0 pin output inversion disabled 1: TOPn0 pin output inversion enabled
0	TPnOE0	TOPn0 pin output setting: 0: Timer output disable – when TPnOL0 = 0: low level is output from TOPn0 pin – when TPnOL0 = 1: high level is output from TOPn0 pin 1: Timer output enable (A square wave is output from TOPn0 pin.)

- Caution**
1. Rewrite the TPnOL1, TPnOE1, TPnOL0, and TPnOE0 bits when the TPnCTL0.TPnCE bit = 0. (The same value can be written when the TPnCE bit = 1.) If rewriting was mistakenly performed, clear the TPnCE bit to 0 and then set the bits again.
  2. Even if the TPnOLm bit is manipulated when the TPnCE and TPnOEm bits are 0, the TOPnm pin output level varies (m = 0, 1).

**(4) TPnIOC1 - TMPn I/O control register 1**

The TPnIOC1 register is an 8-bit register that controls the valid edge of the capture trigger input signals (TIPn0, TIPn1 pins).

**Access** This register can be read/written in 8-bit or 1-bit units.

**Address** <base> + 3<sub>H</sub>

**Initial Value** 00<sub>H</sub>. This register is initialized by any reset.

7	6	5	4	3	2	1	0
0	0	0	0	TPnIS3	TPnIS2	TPnIS1	TPnIS0
R/W	R/W	R/W	R/W	R/W	R/W	R/W	R/W

Table 11-6 TPnIOC1 register contents

Bit position	Bit name	Function															
3 to 2	TPnIS[3:2]	Capture trigger input signal (TIPn1 pin) valied edge setting: <table border="1" data-bbox="560 781 1382 996"> <thead> <tr> <th>TPnIS3</th> <th>TPnIS2</th> <th>Capture trigger valid edge of TIPn1</th> </tr> </thead> <tbody> <tr> <td>0</td> <td>0</td> <td>No edge detection (capture operation invalid)</td> </tr> <tr> <td>0</td> <td>1</td> <td>Detection of rising edge</td> </tr> <tr> <td>1</td> <td>0</td> <td>Detection of falling edge</td> </tr> <tr> <td>1</td> <td>1</td> <td>Detection of both edges</td> </tr> </tbody> </table>	TPnIS3	TPnIS2	Capture trigger valid edge of TIPn1	0	0	No edge detection (capture operation invalid)	0	1	Detection of rising edge	1	0	Detection of falling edge	1	1	Detection of both edges
TPnIS3	TPnIS2	Capture trigger valid edge of TIPn1															
0	0	No edge detection (capture operation invalid)															
0	1	Detection of rising edge															
1	0	Detection of falling edge															
1	1	Detection of both edges															
1 to 0	TPnIS[1:0]	Capture trigger input signal (TIPn0 pin) valied edge setting: <table border="1" data-bbox="560 1081 1382 1296"> <thead> <tr> <th>TPnIS1</th> <th>TPnIS0</th> <th>Capture trigger valid edge of TIPn0</th> </tr> </thead> <tbody> <tr> <td>0</td> <td>0</td> <td>No edge detection (capture operation invalid)</td> </tr> <tr> <td>0</td> <td>1</td> <td>Detection of rising edge</td> </tr> <tr> <td>1</td> <td>0</td> <td>Detection of falling edge</td> </tr> <tr> <td>1</td> <td>1</td> <td>Detection of both edges</td> </tr> </tbody> </table>	TPnIS1	TPnIS0	Capture trigger valid edge of TIPn0	0	0	No edge detection (capture operation invalid)	0	1	Detection of rising edge	1	0	Detection of falling edge	1	1	Detection of both edges
TPnIS1	TPnIS0	Capture trigger valid edge of TIPn0															
0	0	No edge detection (capture operation invalid)															
0	1	Detection of rising edge															
1	0	Detection of falling edge															
1	1	Detection of both edges															

- Caution**
1. Rewrite the TPnIS3 to TPnIS0 bits when the TPnCTL0.TPnCE bit = 0. (The same value can be written when the TPnCE bit = 1.) If rewriting was mistakenly performed, clear the TPnCE bit to 0 and then set the bits again.
  2. The TPnIS3 to TPnIS0 bits are valid only in the free-running timer mode and the pulse width measurement mode. In all other modes, a capture operation is not possible.

**(5) TPnIOC2 - TMPn I/O control register 2**

The TPnIOC2 register is an 8-bit register that controls the valid edge of the external event count input signal (TIPn0 pin) and external trigger input signal (TIPn0 pin).

**Access** This register can be read/written in 8-bit or 1-bit units.

**Address** <base> + 4<sub>H</sub>

**Initial Value** 00<sub>H</sub>. This register is initialized by any reset.

7	6	5	4	3	2	1	0
0	0	0	0	TPnEES1	TPnEES0	TPnETS1	TPnETS0
R/W	R/W	R/W	R/W	R/W	R/W	R/W	R/W

Table 11-7 TPnIOC2 register contents

Bit position	Bit name	Function															
3 to 2	TPnEES[1:0]	External event count input signal (TIPn0 pin) valid edge setting: <table border="1" style="margin-left: 20px;"> <thead> <tr> <th>TPnEES1</th> <th>TPnEES0</th> <th>External event count valid edge of TIPn0</th> </tr> </thead> <tbody> <tr> <td style="text-align: center;">0</td> <td style="text-align: center;">0</td> <td>No edge detection (external event invalid)</td> </tr> <tr> <td style="text-align: center;">0</td> <td style="text-align: center;">1</td> <td>Detection of rising edge</td> </tr> <tr> <td style="text-align: center;">1</td> <td style="text-align: center;">0</td> <td>Detection of falling edge</td> </tr> <tr> <td style="text-align: center;">1</td> <td style="text-align: center;">1</td> <td>Detection of both edges</td> </tr> </tbody> </table>	TPnEES1	TPnEES0	External event count valid edge of TIPn0	0	0	No edge detection (external event invalid)	0	1	Detection of rising edge	1	0	Detection of falling edge	1	1	Detection of both edges
TPnEES1	TPnEES0	External event count valid edge of TIPn0															
0	0	No edge detection (external event invalid)															
0	1	Detection of rising edge															
1	0	Detection of falling edge															
1	1	Detection of both edges															
1 to 0	TPnETS[1:0]	Capture trigger input signal (TIPn0 pin) valid edge setting: <table border="1" style="margin-left: 20px;"> <thead> <tr> <th>TPnETS1</th> <th>TPnETS0</th> <th>External trigger input valid edge of TIPn0</th> </tr> </thead> <tbody> <tr> <td style="text-align: center;">0</td> <td style="text-align: center;">0</td> <td>No edge detection (external trigger invalid)</td> </tr> <tr> <td style="text-align: center;">0</td> <td style="text-align: center;">1</td> <td>Detection of rising edge</td> </tr> <tr> <td style="text-align: center;">1</td> <td style="text-align: center;">0</td> <td>Detection of falling edge</td> </tr> <tr> <td style="text-align: center;">1</td> <td style="text-align: center;">1</td> <td>Detection of both edges</td> </tr> </tbody> </table>	TPnETS1	TPnETS0	External trigger input valid edge of TIPn0	0	0	No edge detection (external trigger invalid)	0	1	Detection of rising edge	1	0	Detection of falling edge	1	1	Detection of both edges
TPnETS1	TPnETS0	External trigger input valid edge of TIPn0															
0	0	No edge detection (external trigger invalid)															
0	1	Detection of rising edge															
1	0	Detection of falling edge															
1	1	Detection of both edges															

- Caution**
1. Rewrite the TPnEES1, TPnEES0, TPnETS1, and TPnETS0 bits when the TPnCTL0.TPnCE bit = 0. (The same value can be written when the TPnCE bit = 1.) If rewriting was mistakenly performed, clear the TPnCE bit to 0 and then set the bits again.
  2. The TPnEES1 and TPnEES0 bits are valid only when the TPnCTL1.TPnEEE bit = 1 or when the external event count mode (TPnCTL1.TPnMD2 to TPnCTL1.TPnMD0 bits = 001) has been set.

**(6) TPnOPT0 - TMPn option register 0**

The TPnOPT0 register is an 8-bit register used to set the capture/compare operation and detect an overflow.

**Access** This register can be read/written in 8-bit or 1-bit units.

**Address** <base> + 5<sub>H</sub>

**Initial Value** 00<sub>H</sub>. This register is initialized by any reset.

7	6	5	4	3	2	1	0
0	0	TPnCCS1	TPnCCS10	0	0	0	TPnOVF
R/W	R/W	R/W	R/W	R/W	R/W	R/W	R/W

Table 11-8 TPnOPT0 register contents

Bit position	Bit name	Function
5	TPnCCS1	TPnCCR1 register capture/compare selection: 0: compare register selected 1: capture register selected The TPnCCS1 bit setting is valid only in the free-running timer mode.
4	TPnCCS0	TPnCCR0 register capture/compare selection: 0: compare register selected 1: capture register selected The TPnCCS0 bit setting is valid only in the free-running timer mode.
0	TPnOVF	TMPn overflow detection flag: Set (1): Overflow occurred Reset (0): TPnOVF bit 0 written or TPnCTL0.TPnCE bit = 0 <ul style="list-style-type: none"> <li>• The TPnOVF bit is reset when the 16-bit counter count value overflows from FFFFH to 0000H in the free-running timer mode or the pulse width measurement mode.</li> <li>• An interrupt request signal (INTTPnOV) is generated at the same time that the TPnOVF bit is set to 1. The INTTPnOV signal is not generated in modes other than the free-running timer mode and the pulse width measurement mode.</li> <li>• The TPnOVF bit is not cleared even when the TPnOVF bit or the TPnOPT0 register are read when the TPnOVF bit = 1.</li> <li>• The TPnOVF bit can be both read and written, but the TPnOVF bit cannot be set to 1 by software. Writing 1 has no influence on the operation of TMPn.</li> </ul>

- Caution**
1. Rewrite the TPnCCS1 and TPnCCS0 bits when the TPnCE bit = 0. (The same value can be written when the TPnCE bit = 1.) If rewriting was mistakenly performed, clear the TPnCE bit to 0 and then set the bits again.
  2. Be sure to clear bits 1 to 3, 6, and 7 to 0.

**(7) TPnCCR0 - TMPn capture/compare register 0**

The TPnCCR0 register can be used as a capture register or a compare register depending on the mode.

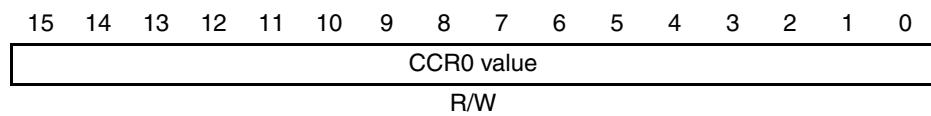
This register can be used as a capture register or a compare register only in the free-running timer mode, depending on the setting of the TPnOPT0.TPnCCS0 bit. In the pulse width measurement mode, the TPnCCR0 register can be used only as a capture register. In any other mode, this register can be used only as a compare register.

The TPnCCR0 register can be read or written during operation.

**Access** This register can be read/written in 16-bit units.

**Address** <base> + 6<sub>H</sub>

**Initial Value** 0000<sub>H</sub>. This register is initialized by any reset.

**(a) Function as compare register**

The TPnCCR0 register can be rewritten even when the TPnCTL0.TPnCE bit = 1.

The set value of the TPnCCR0 register is transferred to the CCR0 buffer register. When the value of the 16-bit counter matches the value of the CCR0 buffer register, a compare match interrupt request signal (INTTPnCC0) is generated. If TOPn0 pin output is enabled at this time, the output of the TOPn0 pin is inverted.

When the TPnCCR0 register is used as a cycle register in the interval timer mode, external event count mode, external trigger pulse output mode, one-shot pulse output mode, or PWM output mode, the value of the 16-bit counter is cleared (0000H) if its count value matches the value of the CCR0 buffer register.

**(b) Function as capture register**

When the TPnCCR0 register is used as a capture register in the free-running timer mode, the count value of the 16-bit counter is stored in the TPnCCR0 register if the valid edge of the capture trigger input pin (TIPn0 pin) is detected. In the pulse-width measurement mode, the count value of the 16-bit counter is stored in the TPnCCR0 register and the 16-bit counter is cleared (0000H) if the valid edge of the capture trigger input pin (TIPn0) is detected.

Even if the capture operation and reading the TPnCCR0 register conflict, the correct value of the TPnCCR0 register can be read.

The following table shows the functions of the capture/compare register in each mode, and how to write data to the compare register.

**Table 11-9 Function of capture/compare register in each mode and how to write compare register**

Operation mode	Capture/compare register	How to write compare register
Interval timer	Compare register	Anytime write
External event counter	Compare register	Anytime write
External trigger pulse output	Compare register	Batch write
One-shot pulse output	Compare register	Anytime write
PWM output	Compare register	Batch write
Free-running timer	Capture/compare register	Anytime write
Pulse width measurement	Capture register	-

**(8) TPnCCR1 - TMPn capture/compare register 1**

The TPnCCR1 register can be used as a capture register or a compare register depending on the mode.

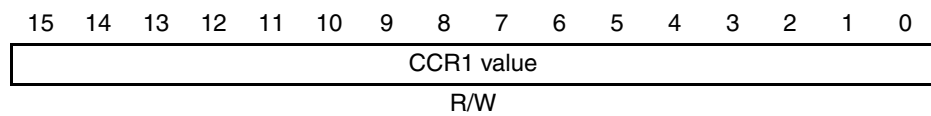
This register can be used as a capture register or a compare register only in the free-running timer mode, depending on the setting of the TPnOPT0.TPnCCS1 bit. In the pulse width measurement mode, the TPnCCR1 register can be used only as a capture register. In any other mode, this register can be used only as a compare register.

The TPnCCR1 register can be read or written during operation.

**Access** This register can be read/written in 16-bit units.

**Address** <base> + 8<sub>H</sub>

**Initial Value** 0000<sub>H</sub>. This register is initialized by any reset.

**(a) Function as compare register**

The TPnCCR1 register can be rewritten even when the TPnCTL0.TPnCE bit = 1.

The set value of the TPnCCR1 register is transferred to the CCR1 buffer register. When the value of the 16-bit counter matches the value of the CCR1 buffer register, a compare match interrupt request signal (INTTPnCC1) is generated. If TOPn1 pin output is enabled at this time, the output of the TOPn1 pin is inverted.



**(b) Function as capture register**

When the TPnCCR1 register is used as a capture register in the free-running timer mode, the count value of the 16-bit counter is stored in the TPnCCR1 register if the valid edge of the capture trigger input pin (TIPn1 pin) is detected. In the pulse-width measurement mode, the count value of the 16-bit counter is stored in the TPnCCR1 register and the 16-bit counter is cleared (0000H) if the valid edge of the capture trigger input pin (TIPn1) is detected.

Even if the capture operation and reading the TPnCCR1 register conflict, the correct value of the TPnCCR1 register can be read.

The following table shows the functions of the capture/compare register in each mode, and how to write data to the compare register.

**Table 11-10 Function of capture/compare register in each mode and how to write compare register**

Operationmode	Capture/compare register	How to write compare register
Interval timer	Compare register	Anytime write
External event counter	Compare register	Anytime write
External trigger pulse output	Compare register	Batch write
One-shot pulse output	Compare register	Anytime write
PWM output	Compare register	Batch write
Free-running timer	Capture/compare register	Anytime write
Pulse width measurement	Capture register	-

**(9) TPnCNT - TMPn counter read buffer register**

The TPnCNT register is a read buffer register that can read the count value of the 16-bit counter.

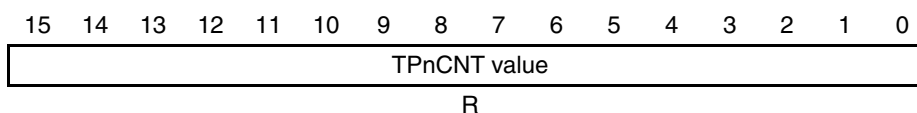
If this register is read when the TPnCTL0.TPnCE bit = 1, the count value of the 16-bit timer can be read.

The value of the TPnCNT register is cleared to 0000<sub>H</sub> when the TPnCE bit = 0. If the TPnCNT register is read at this time, the value of the 16-bit counter (FFFF<sub>H</sub>) is not read, but 0000<sub>H</sub> is read.

**Access** This register can be read only in 16-bit units.

**Address** <base> + A<sub>H</sub>

**Initial Value** 0000<sub>H</sub>. This register is initialized by any reset, as the TPnCE bit is cleared to 0.



## 11.5 Operation

TMPn can perform the following operations.

Operation	TPnCTL1.TPnEST Bit (Software Trigger Bit)	TIPn0 Pin (Ext. Trigger Input)	Capture/ Compare Register Setting	Compare Register Write
Interval timer mode	Invalid	Invalid	Compare only	Anytime write
External event count mode <sup>Note 1</sup>	Invalid	Invalid	Compare only	Anytime write
External trigger pulse output mode <sup>Note 2</sup>	Valid	Valid	Compare only	Batch write
One-shot pulse output mode <sup>Note 2</sup>	Valid	Valid	Compare only	Anytime write
PWM output mode	Invalid	Invalid	Compare only	Batch write
Free-running timer mode	Invalid	Invalid	Switching enabled	Anytime write
Pulse width measurement mode <sup>Note 2</sup>	Invalid	Invalid	Capture only	Not applicable

- Note**
- To use the external event count mode, specify that the valid edge of the TIPn0 pin capture trigger input is not detected (by clearing the TPnIOC1.TPnIS1 and TPnIOC1.TPnIS0 bits to “00”).
  - When using the external trigger pulse output mode, one-shot pulse output mode, and pulse width measurement mode, select the internal clock as the count clock (by clearing the TPnCTL1.TPnEEE bit to 0).

### 11.5.1 Interval timer mode (TPnMD2 to TPnMD0 = 000)

In the interval timer mode, an interrupt request signal (INTTPnCC0) is generated at the specified interval if the TPnCTL0.TPnCE bit is set to 1. A square wave whose half cycle is equal to the interval can be output from the TOPn0 pin.

Usually, the TPnCCR1 register is not used in the interval timer mode.

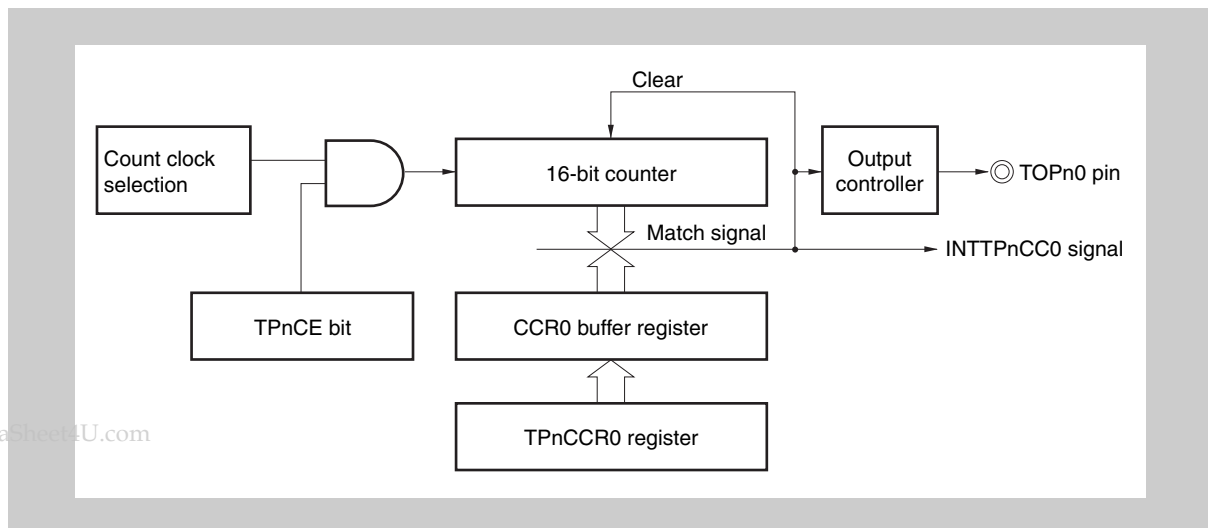


Figure 11-2 Configuration of interval timer

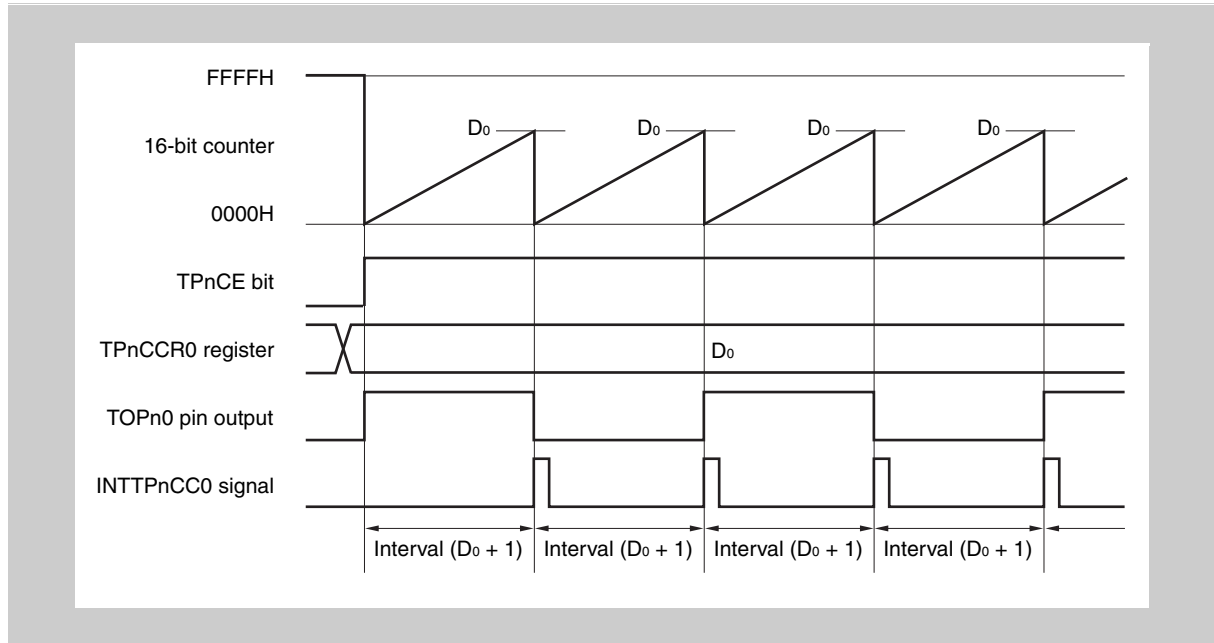


Figure 11-3 Basic timing of operation in interval timer mode

When the TPnCE bit is set to 1, the value of the 16-bit counter is cleared from FFFFH to 0000H in synchronization with the count clock, and the counter starts counting. At this time, the output of the TOPn0 pin is inverted. Additionally, the set value of the TPnCCR0 register is transferred to the CCR0 buffer register.

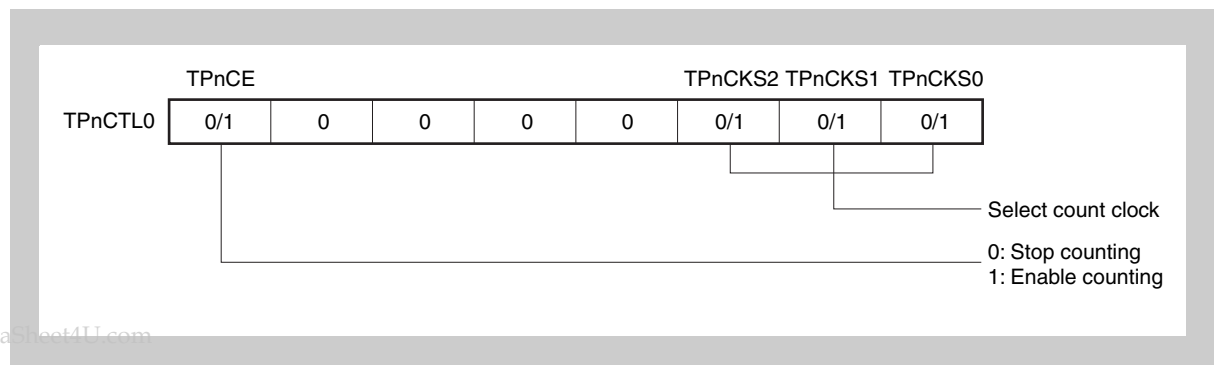
When the count value of the 16-bit counter matches the value of the CCR0 buffer register, the 16-bit counter is cleared to 0000H, the output of the TOPn0 pin is inverted, and a compare match interrupt request signal (INTTPnCC0) is generated.

The interval can be calculated by the following expression.

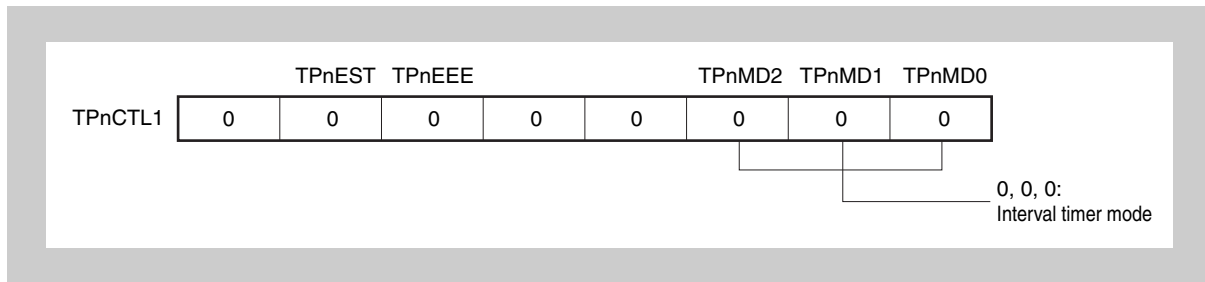
$$\text{Interval} = (\text{Set value of TPnCCR0 register} + 1) \times \text{Count clock cycle}$$

(1) Register setting for interval timer mode operation

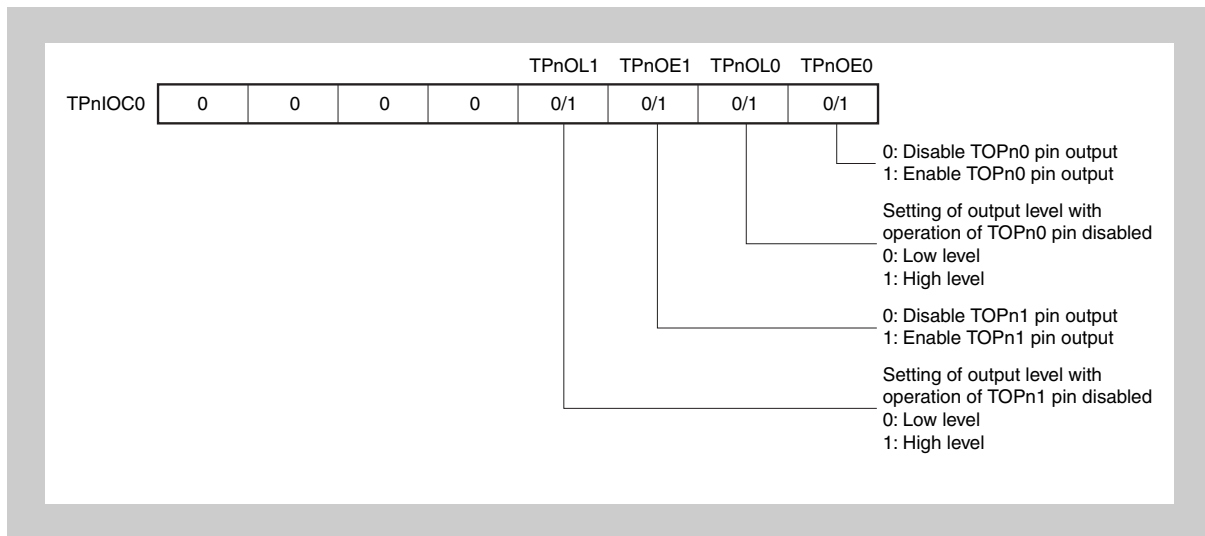
(a) TMPn control register 0 (TPnCTL0)



**(b) TMPn control register 1 (TPnCTL1)**



**(c) TMPn I/O control register 0 (TPnIOC0)**



**(d) TMPn counter read buffer register (TPnCNT)**

By reading the TPnCNT register, the count value of the 16-bit counter can be read.

**(e) TMPn capture/compare register 0 (TPnCCR0)**

If the TPnCCR0 register is set to  $D_0$ , the interval is as follows.

$$\text{Interval} = (D_0 + 1) \times \text{Count clock cycle}$$

**(f) TMPn capture/compare register 1 (TPnCCR1)**

Usually, the TPnCCR1 register is not used in the interval timer mode. However, the set value of the TPnCCR1 register is transferred to the CCR1 buffer register. A compare match interrupt request signal (INTTPnCC1) is generated when the count value of the 16-bit counter matches the value of the CCR1 buffer register.

Therefore, mask the interrupt request by using the corresponding interrupt mask flag (TPnCCMK1).

**Note** TMPn I/O control register 1 (TPnIOC1), TMPn I/O control register 2 (TPnIOC2), and TMPn option register 0 (TPnOPT0) are not used in the interval timer mode.

(2) Interval timer mode operation flow

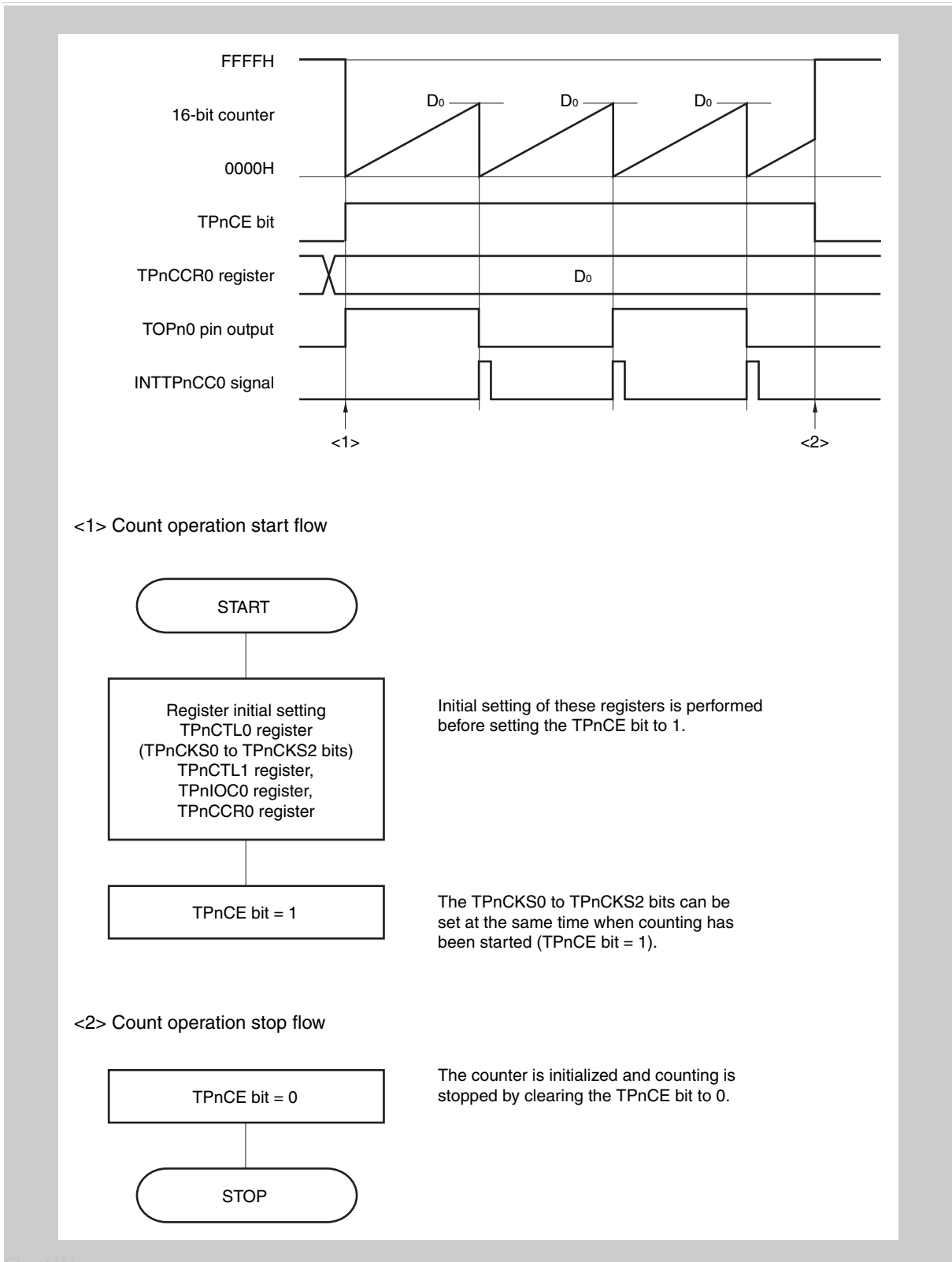


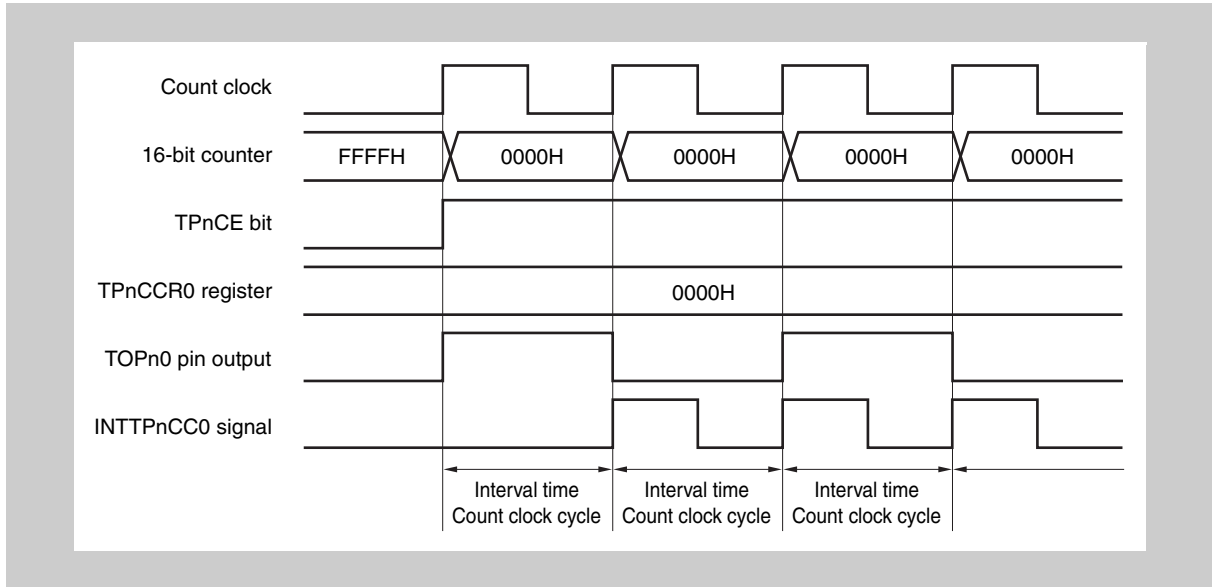
Figure 11-4 Software processing flow in interval timer mode

**(3) Interval timer mode operation timing**

**(a) Operation if TPnCCR0 register is set to 0000H**

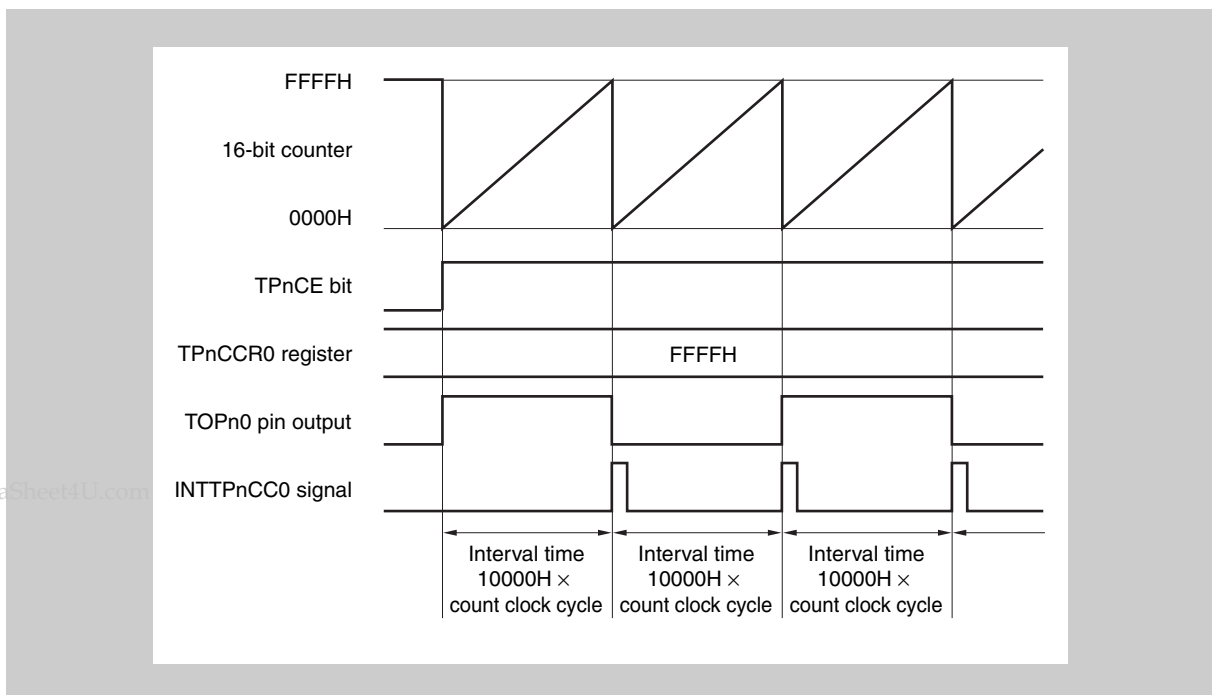
If the TPnCCR0 register is set to 0000H, the INTTPnCC0 signal is generated at each count clock, and the output of the TOPn0 pin is inverted.

The value of the 16-bit counter is always 0000H.



**(b) Operation if TPnCCR0 register is set to FFFFH**

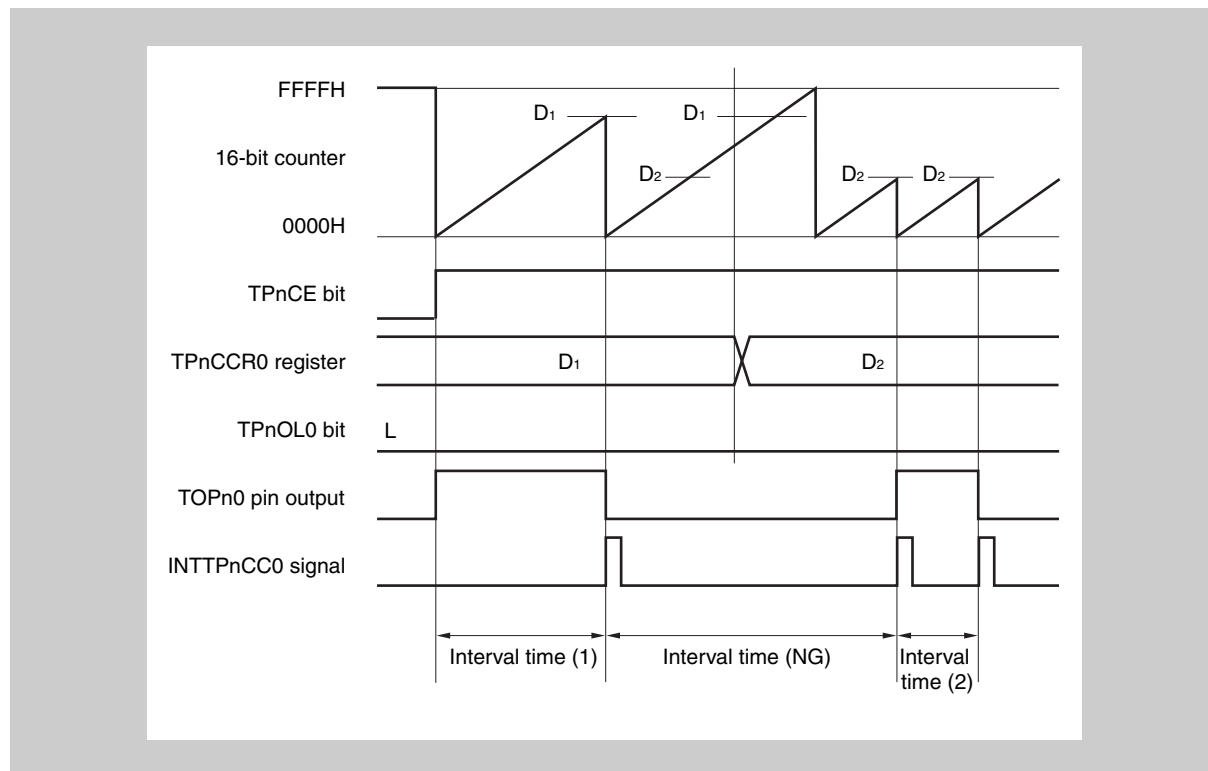
If the TPnCCR0 register is set to FFFFH, the 16-bit counter counts up to FFFFH. The counter is cleared to 0000H in synchronization with the next count-up timing. The INTTPnCC0 signal is generated and the output of the TOPn0 pin is inverted. At this time, an overflow interrupt request signal (INTTPnOV) is not generated, nor is the overflow flag (TPnOPT0.TPnOVF bit) set to 1.



**(c) Notes on rewriting TPnCCR0 register**

To change the value of the TPnCCR0 register to a smaller value, stop counting once and then change the set value.

If the value of the TPnCCR0 register is rewritten to a smaller value during counting, the 16-bit counter may overflow.



- Note**
1. Interval time (1):  $(D_1 + 1) \times \text{Count clock cycle}$
  2. Interval time (NG):  $(10000H + D_2 + 1) \times \text{Count clock cycle}$
  3. Interval time (2):  $(D_2 + 1) \times \text{Count clock cycle}$

If the value of the TPnCCR0 register is changed from  $D_1$  to  $D_2$  while the count value is greater than  $D_2$  but less than  $D_1$ , the count value is transferred to the CCR0 buffer register as soon as the TPnCCR0 register has been rewritten. Consequently, the value of the 16-bit counter that is compared is  $D_2$ .

Because the count value has already exceeded  $D_2$ , however, the 16-bit counter counts up to FFFFH, overflows, and then counts up again from 0000H. When the count value matches  $D_2$ , the INTTPnCC0 signal is generated and the output of the TOPn0 pin is inverted.

Therefore, the INTTPnCC0 signal may not be generated at the interval time " $(D_1 + 1) \times \text{Count clock cycle}$ " or " $(D_2 + 1) \times \text{Count clock cycle}$ " originally expected, but may be generated at an interval of " $(10000H + D_2 + 1) \times \text{Count clock period}$ ".

## (d) Operation of TPnCCR1 register

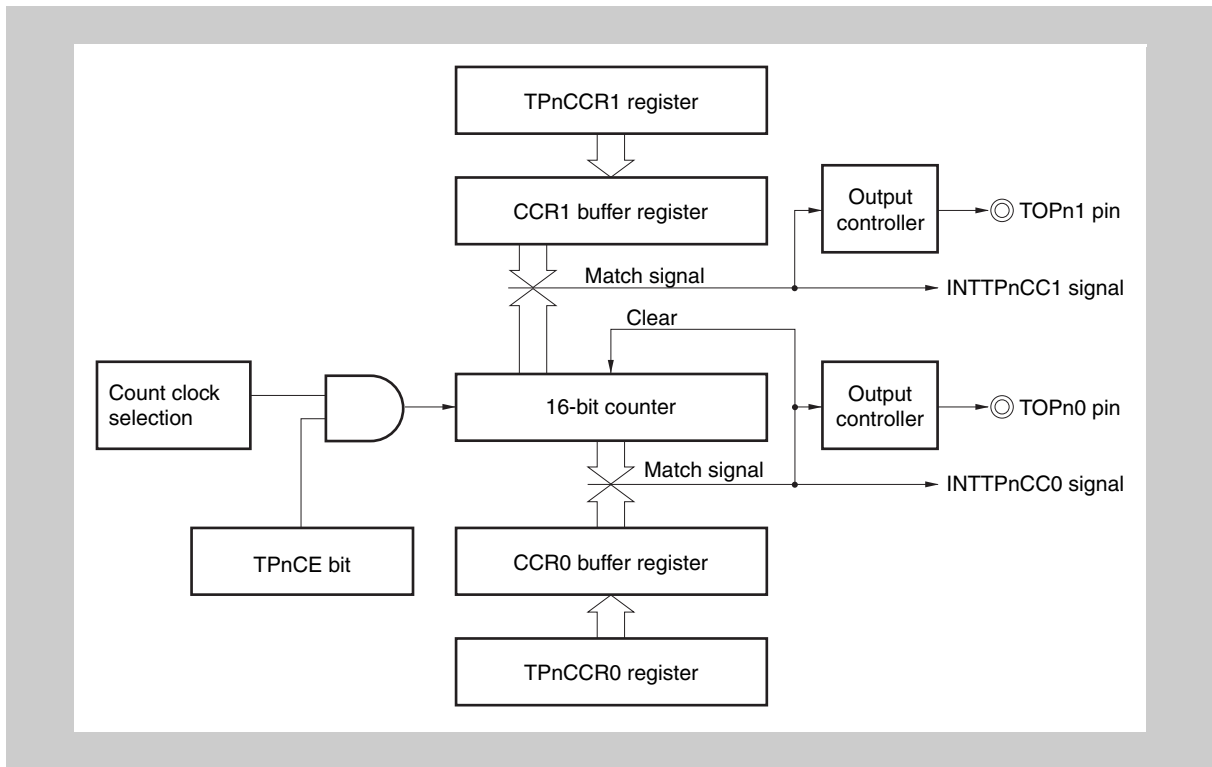


Figure 11-5 Configuration of TPnCCR1 register

If the set value of the TPnCCR1 register is less than the set value of the TPnCCR0 register, the INTTPnCC1 signal is generated once per cycle. At the same time, the output of the TOPn1 pin is inverted.

The TOPn1 pin outputs a square wave with the same cycle as that output by the TOPn0 pin.



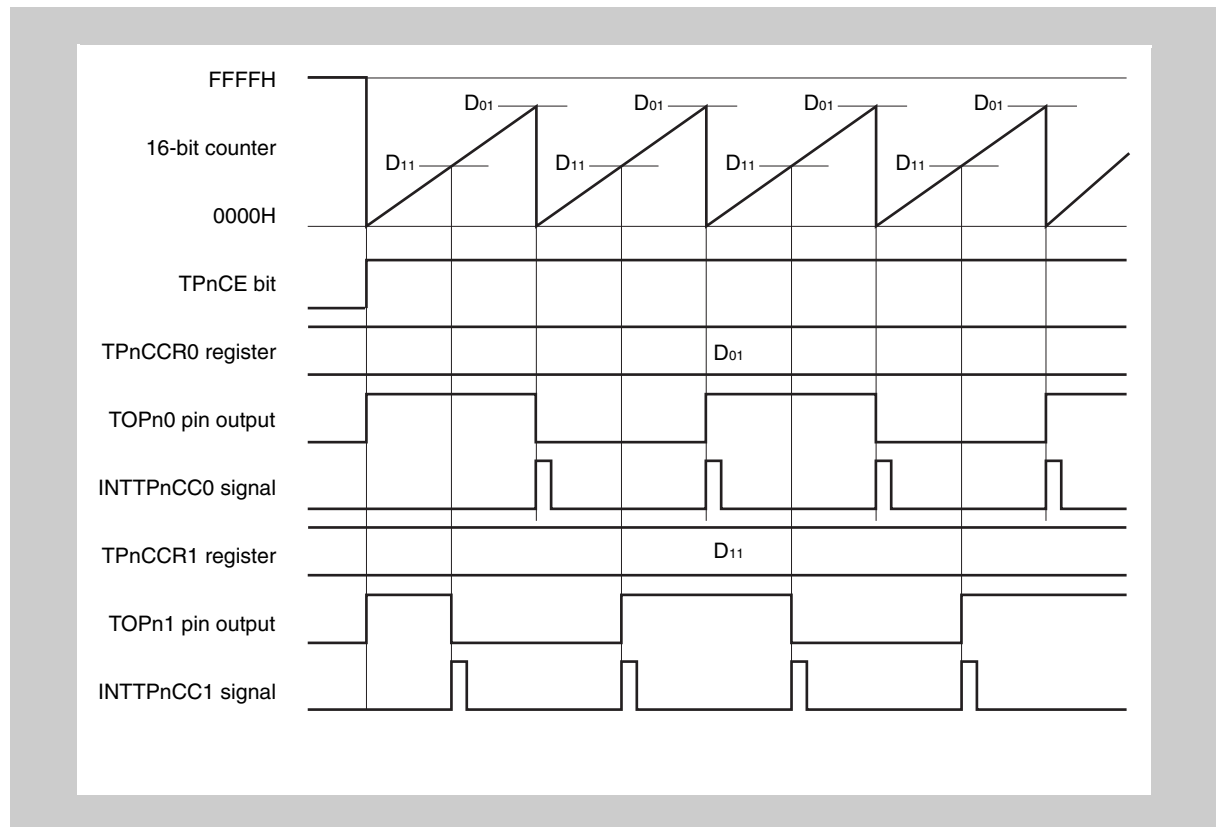


Figure 11-6 Timing chart when  $D_{01} \geq D_{11}$

If the set value of the TPnCCR1 register is greater than the set value of the TPnCCR0 register, the count value of the 16-bit counter does not match the value of the TPnCCR1 register. Consequently, the INTTPnCC1 signal is not generated, nor is the output of the TOPn1 pin changed.

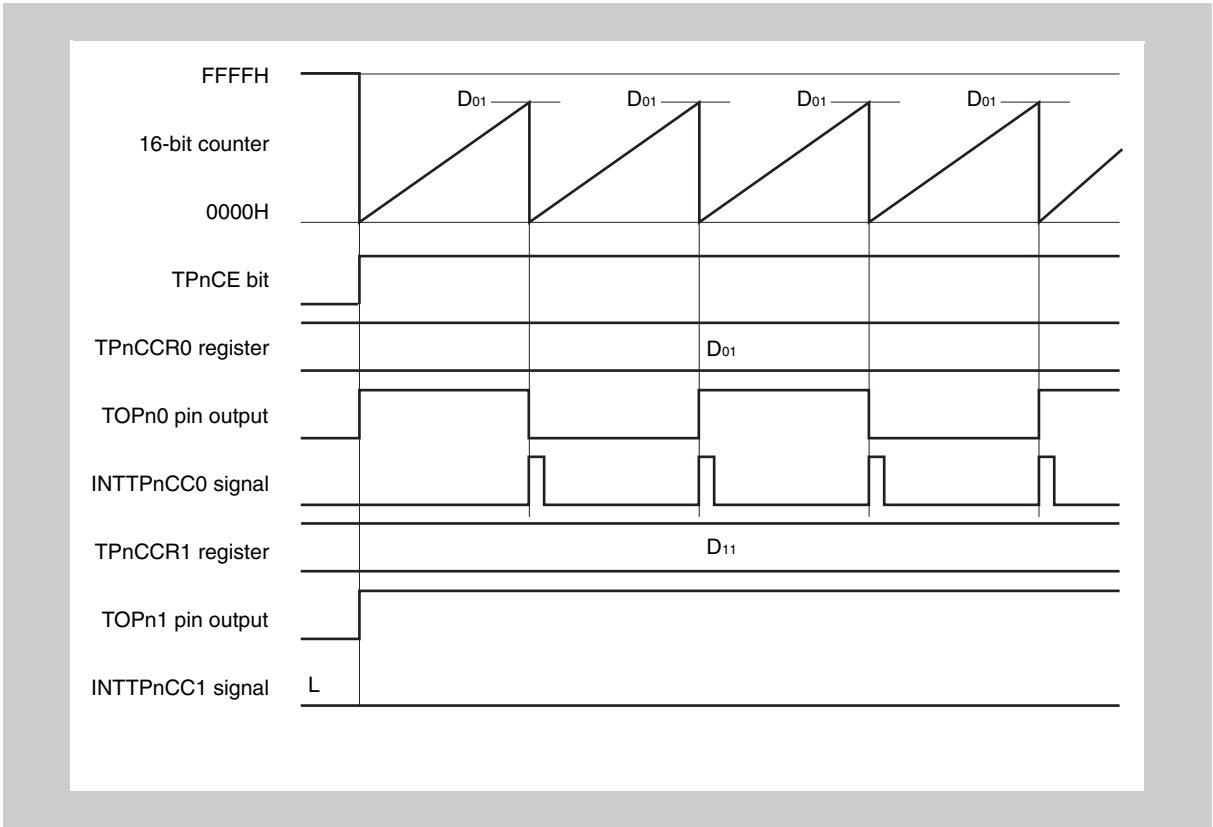


Figure 11-7 Timing chart when  $D_{01} < D_{11}$

### 11.5.2 External event count mode (TPnMD2 to TPnMD0 = 001)

In the external event count mode, the valid edge of the external event count input is counted when the TPnCTL0.TPnCE bit is set to 1, and an interrupt request signal (INTTPnCC0) is generated each time the specified number of edges have been counted. The TOPn0 pin cannot be used.

Usually, the TPnCCR1 register is not used in the external event count mode.

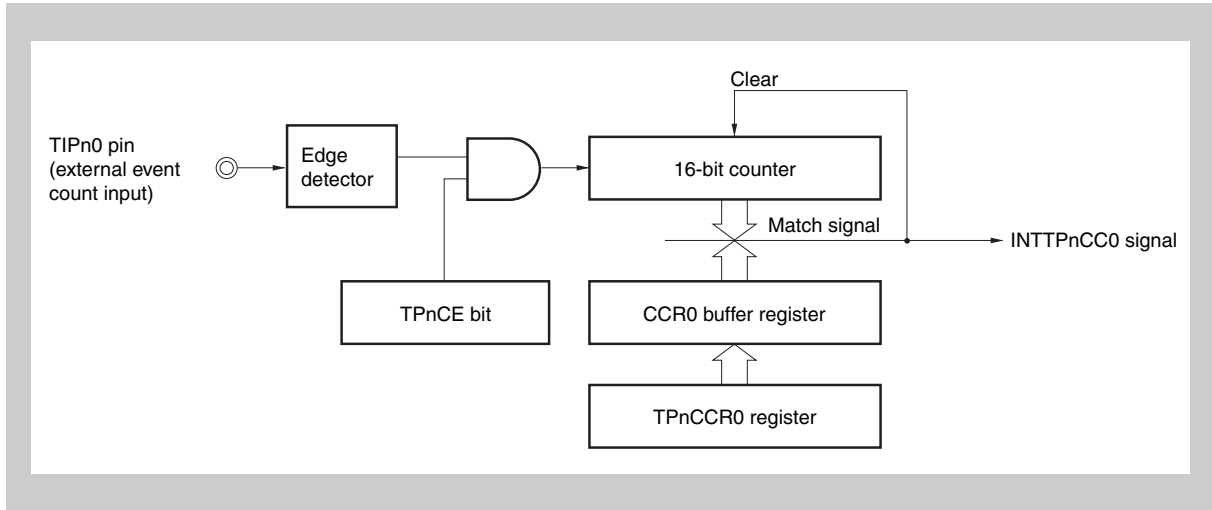


Figure 11-8 Configuration in external event count mode

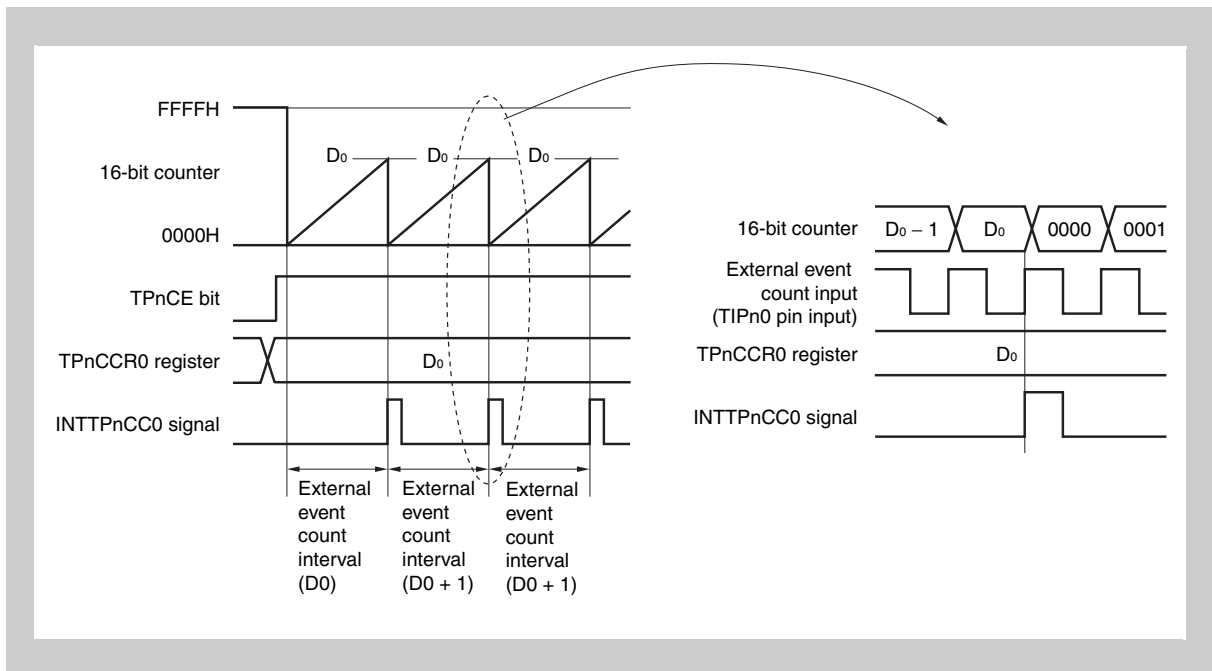


Figure 11-9 Basic timing in external event count mode

**Caution** This figure shows the basic timing when the rising edge is specified as the valid edge of the external event count input.

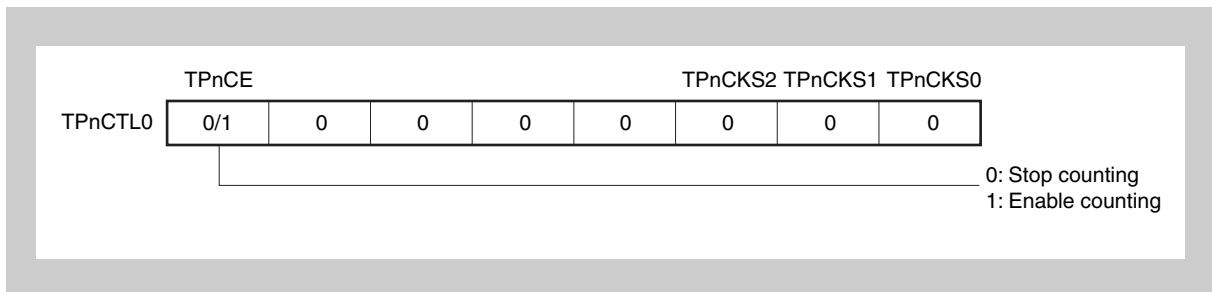
When the TPnCE bit is set to 1, the value of the 16-bit counter is cleared from FFFFH to 0000H. The counter counts each time the valid edge of external event count input is detected. Additionally, the set value of the TPnCCR0 register is transferred to the CCR0 buffer register.

When the count value of the 16-bit counter matches the value of the CCR0 buffer register, the 16-bit counter is cleared to 0000H, and a compare match interrupt request signal (INTTPnCC0) is generated.

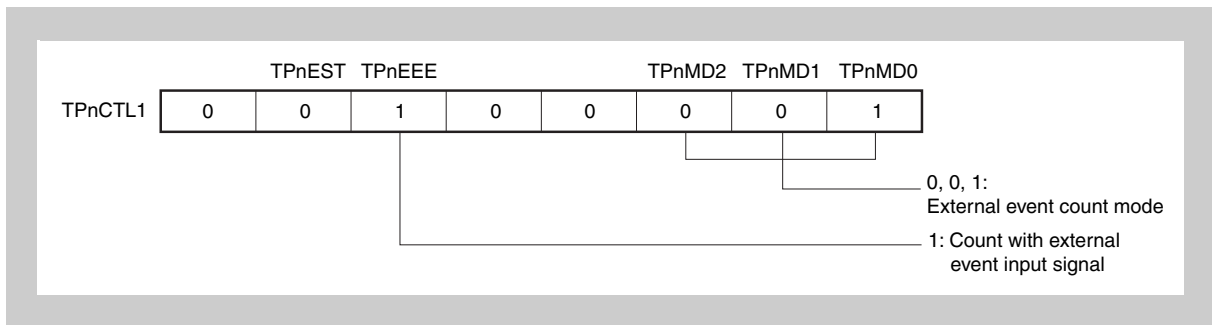
The INTTPnCC0 signal is generated each time the valid edge of the external event count input has been detected (set value of TPnCCR0 register + 1) times.

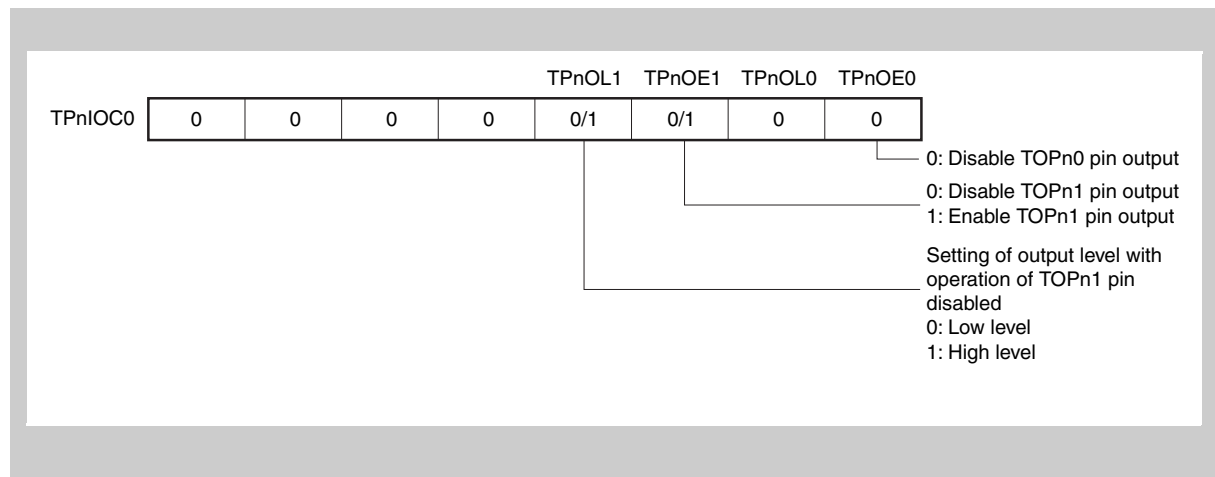
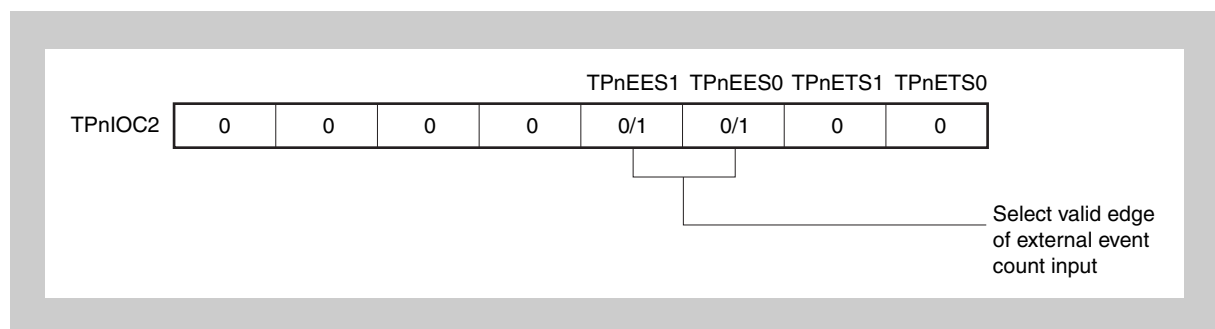
**(1) Register setting for operation in external event count mode**

**(a) TMPn control register 0 (TPnCTL0)**



**(b) TMPn control register 1 (TPnCTL1)**



**(c) TMPn I/O control register 0 (TPnIOC0)****(d) TMPn I/O control register 2 (TPnIOC2)****(e) TMPn counter read buffer register (TPnCNT)**

The count value of the 16-bit counter can be read by reading the TPnCNT register.

**(f) TMPn capture/compare register 0 (TPnCCR0)**

If  $D_0$  is set to the TPnCCR0 register, the counter is cleared and a compare match interrupt request signal (INTTPnCC0) is generated when the number of external event counts reaches  $(D_0 + 1)$ .

**(g) TMPn capture/compare register 1 (TPnCCR1)**

Usually, the TPnCCR1 register is not used in the external event count mode. However, the set value of the TPnCCR1 register is transferred to the CCR1 buffer register. When the count value of the 16-bit counter matches the value of the CCR1 buffer register, a compare match interrupt request signal (INTTPnCC1) is generated.

Therefore, mask the interrupt signal by using the interrupt mask flag (TPnCCMK1).

**Note** TMPn I/O control register 1 (TPnIOC1) and TMPn option register 0 (TPnOPT0) are not used in the external event count mode.

**Caution** When the compare register TPnCCR0 (TPnCCR1) is set to 0000<sub>H</sub> and the external event counter mode is started the first interrupt INTTPnCC0 (INTTPnCC1) occurs upon the first timer overflow (TPnCNT: FFFF<sub>H</sub> → 0000<sub>H</sub>), but not with the first external count event.

Afterwards the following interrupts INTTPnCC0 (INTTPnCC1) are generated as specified, i.e. with each external count event.

---

(2) External event count mode operation flow

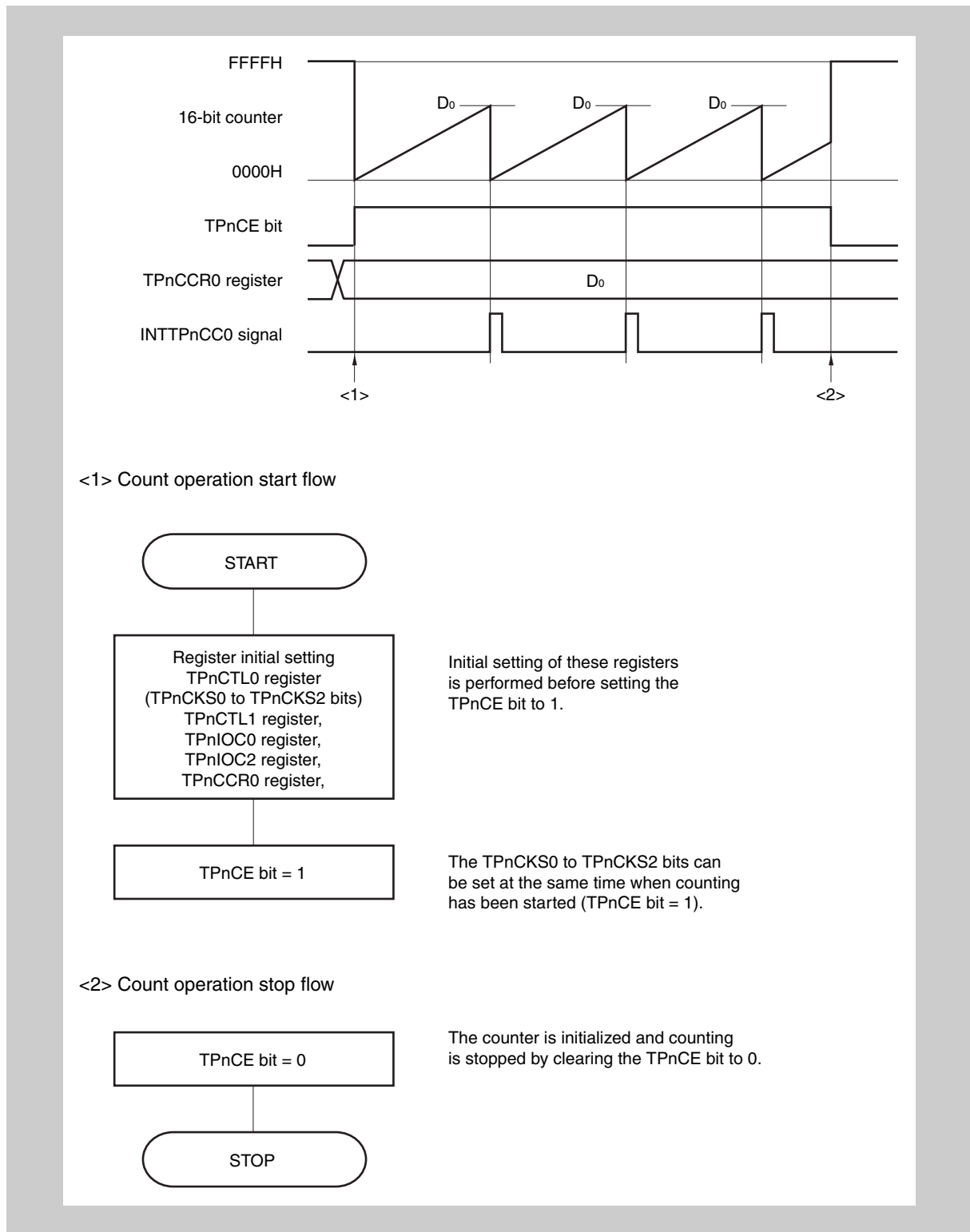


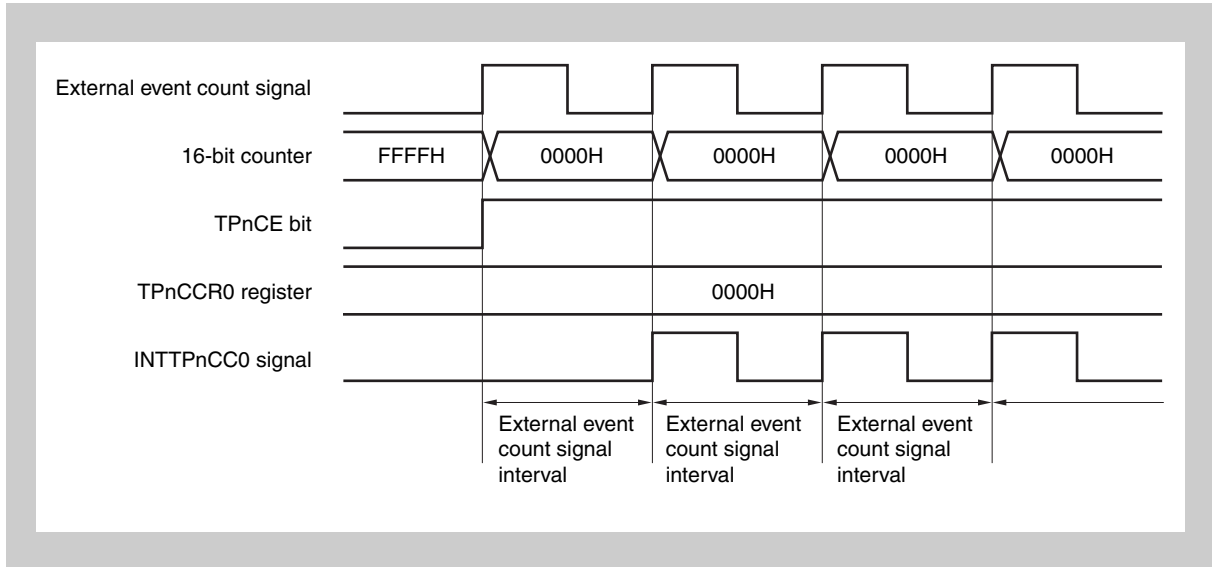
Figure 11-10 Flow of software processing in external event count mode

**(3) Operation timing in external event count mode**

**(a) Operation if TPnCCR0 register is set to 0000H**

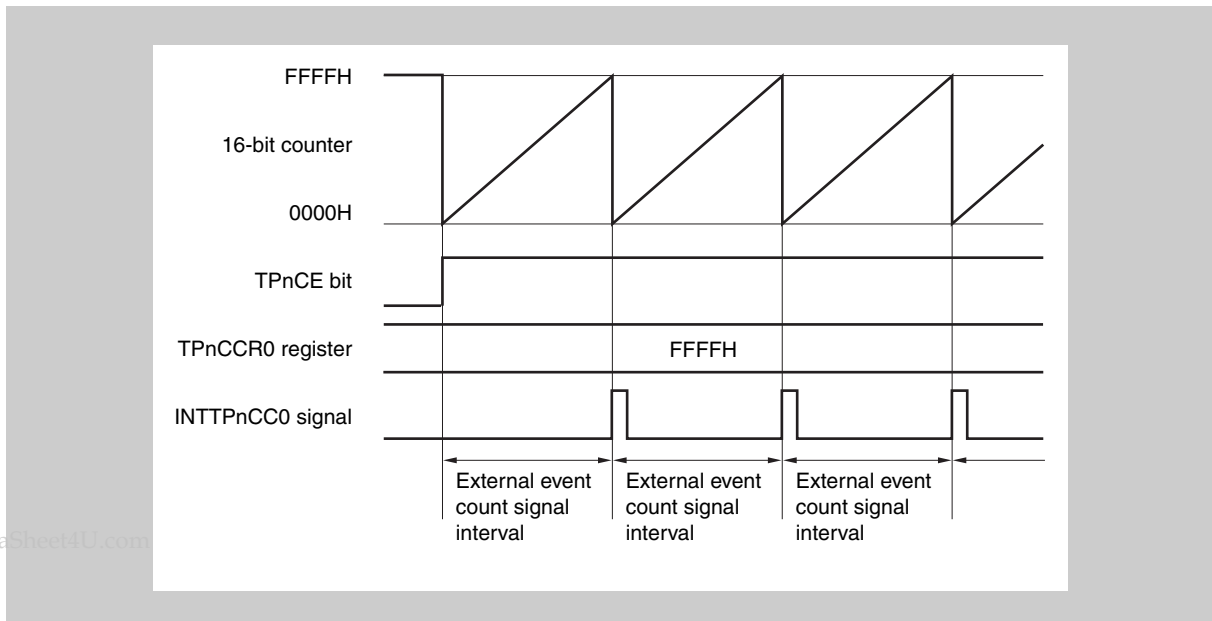
If the TPnCCR0 register is set to 0000H, the INTTPnCC0 signal is generated each time the valid signal of the external event count signal has been detected.

The 16-bit counter is always 0000H.



**(b) Operation if TPnCCR0 register is set to FFFFH**

If the TPnCCR0 register is set to FFFFH, the 16-bit counter counts to FFFFH each time the valid edge of the external event count signal has been detected. The 16-bit counter is cleared to 0000H in synchronization with the next count-up timing, and the INTTPnCC0 signal is generated. At this time, the TPnOPT0.TPnOVF bit is not set.

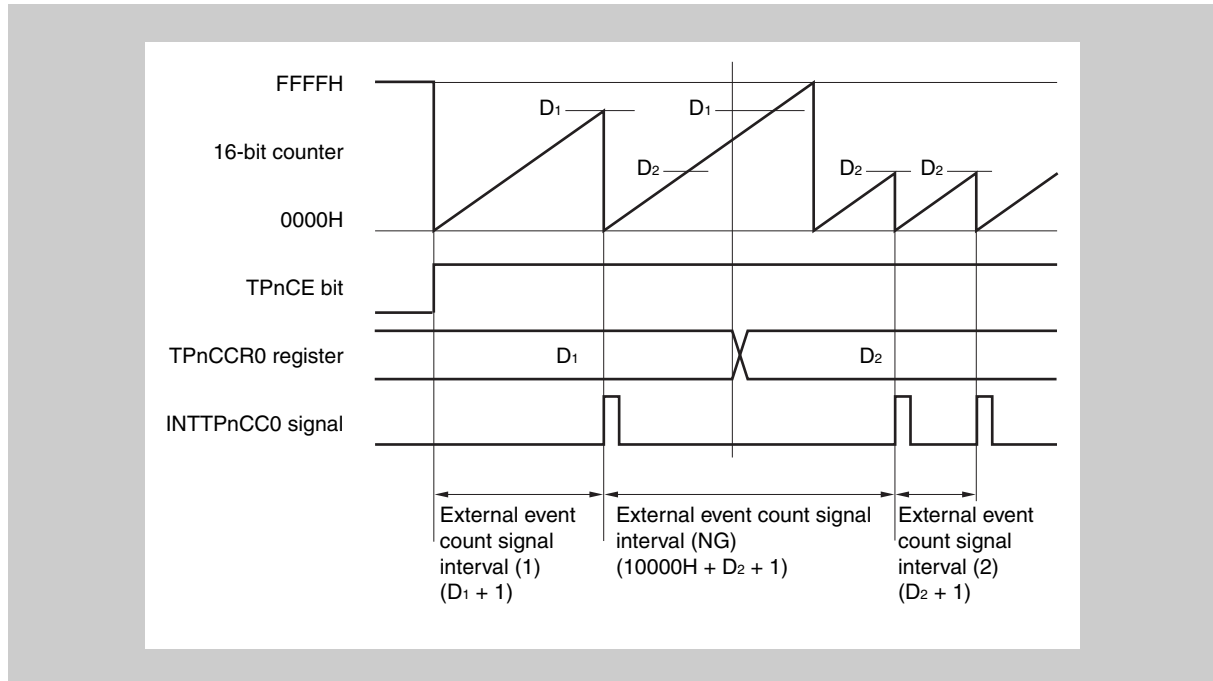




**(c) Notes on rewriting the TPnCCR0 register**

To change the value of the TPnCCR0 register to a smaller value, stop counting once and then change the set value.

If the value of the TPnCCR0 register is rewritten to a smaller value during counting, the 16-bit counter may overflow.



If the value of the TPnCCR0 register is changed from  $D_1$  to  $D_2$  while the count value is greater than  $D_2$  but less than  $D_1$ , the count value is transferred to the CCR0 buffer register as soon as the TPnCCR0 register has been rewritten. Consequently, the value that is compared with the 16-bit counter is  $D_2$ .

Because the count value has already exceeded  $D_2$ , however, the 16-bit counter counts up to FFFFH, overflows, and then counts up again from 0000H. When the count value matches  $D_2$ , the INTTPnCC0 signal is generated.

Therefore, the INTTPnCC0 signal may not be generated at the valid edge count of “ $(D_1 + 1)$  times” or “ $(D_2 + 1)$  times” originally expected, but may be generated at the valid edge count of “ $(10000H + D_2 + 1)$  times”.

(d) Operation of TPnCCR1 register

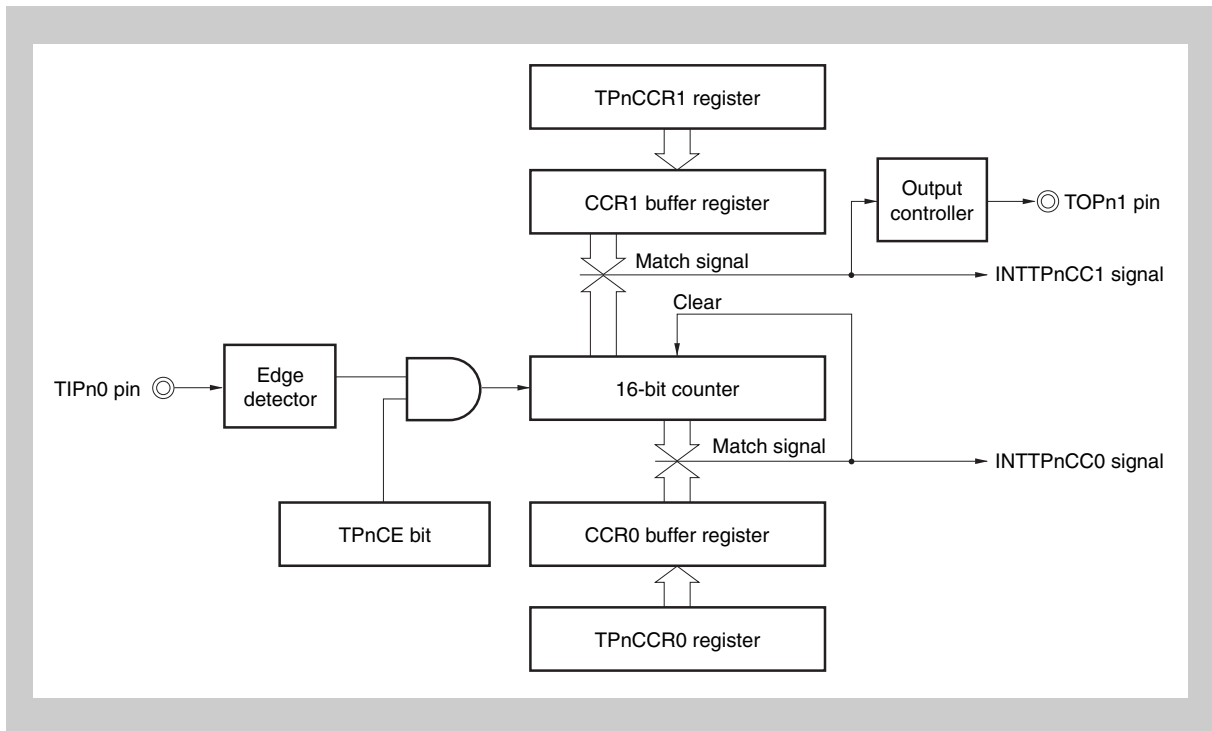


Figure 11-11 Configuration of TPnCCR1 register

If the set value of the TPnCCR1 register is smaller than the set value of the TPnCCR0 register, the INTTPnCC1 signal is generated once per cycle. At the same time, the output signal of the TOPn1 pin is inverted.

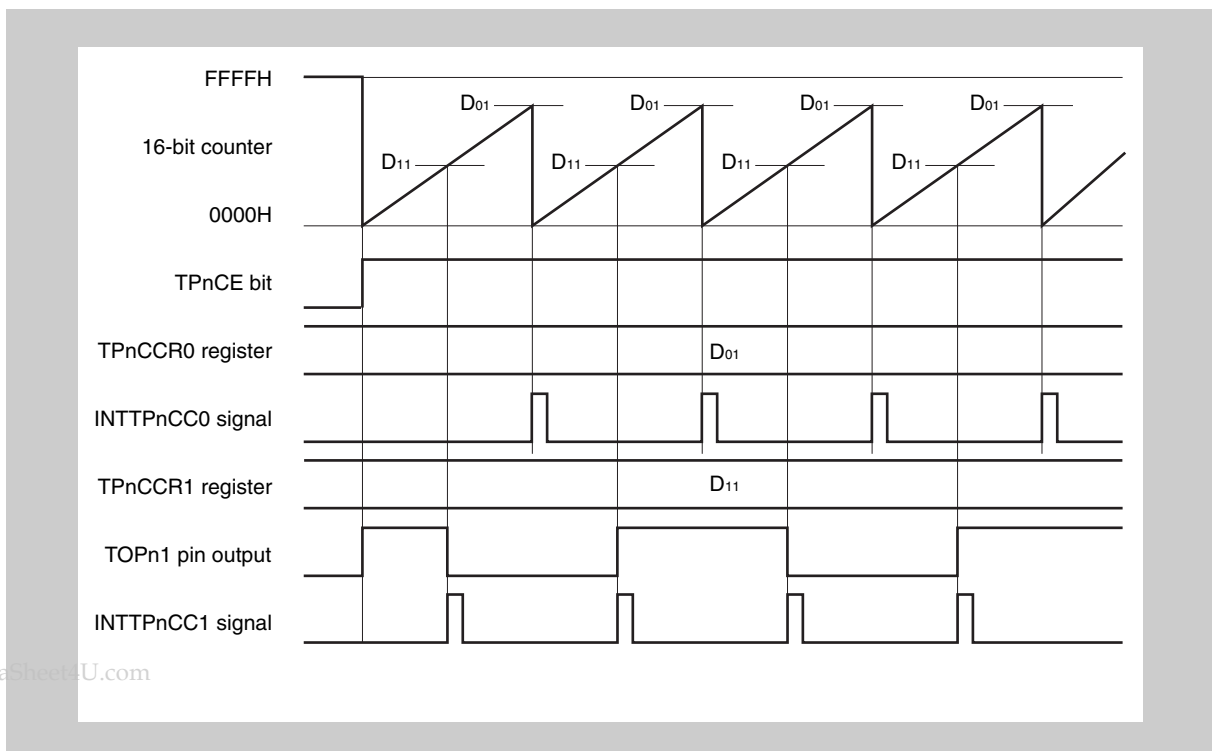


Figure 11-12 Timing chart when  $D_{01} \geq D_{11}$

If the set value of the TPnCCR1 register is greater than the set value of the TPnCCR0 register, the INTTPnCC1 signal is not generated because the count value of the 16-bit counter and the value of the TPnCCR1 register do not match. Nor is the output signal of the TOPn1 pin changed.

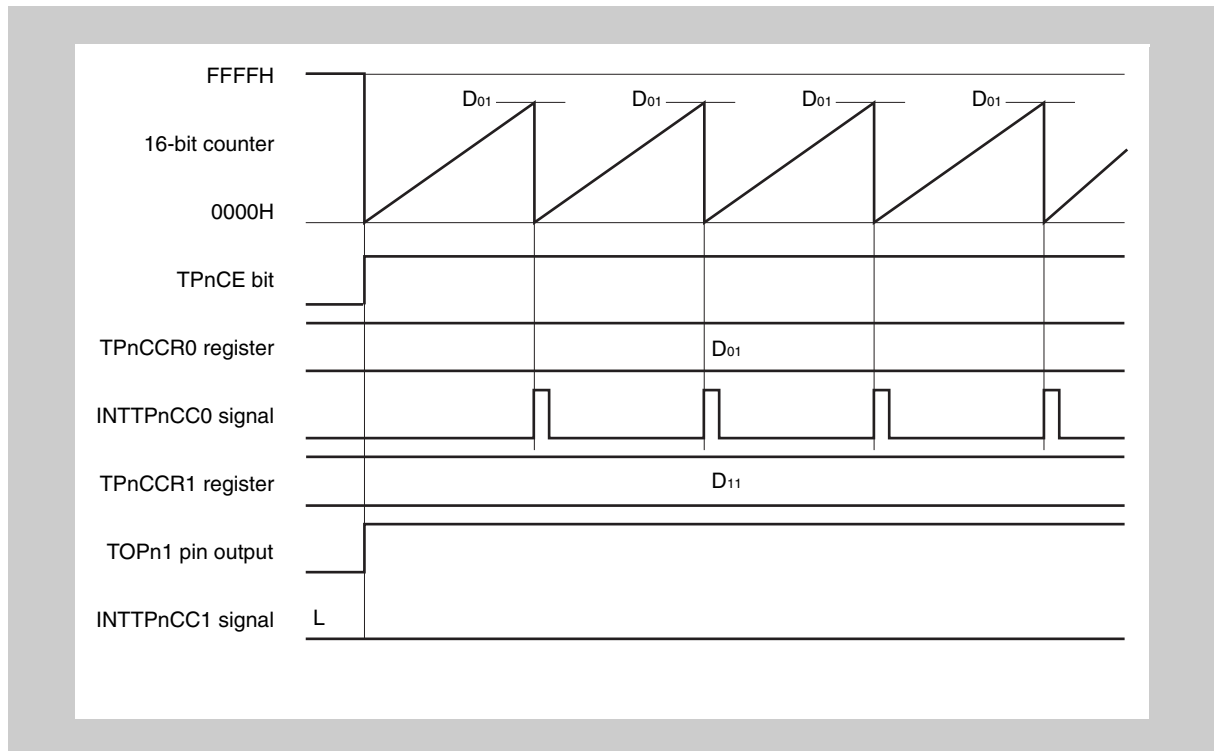


Figure 11-13 Timing chart when  $D_{01} < D_{11}$

### 11.5.3 External trigger pulse output mode (TPnMD2 to TPnMD0 = 010)

In the external trigger pulse output mode, 16-bit timer/event counter P waits for a trigger when the TPnCTL0.TPnCE bit is set to 1. When the valid edge of an external trigger input signal is detected, 16-bit timer/event counter P starts counting, and outputs a PWM waveform from the TOPn1 pin.

Pulses can also be output by generating a software trigger instead of using the external trigger. When using a software trigger, a square wave that has one cycle of the PWM waveform as half its cycle can also be output from the TOPn0 pin.

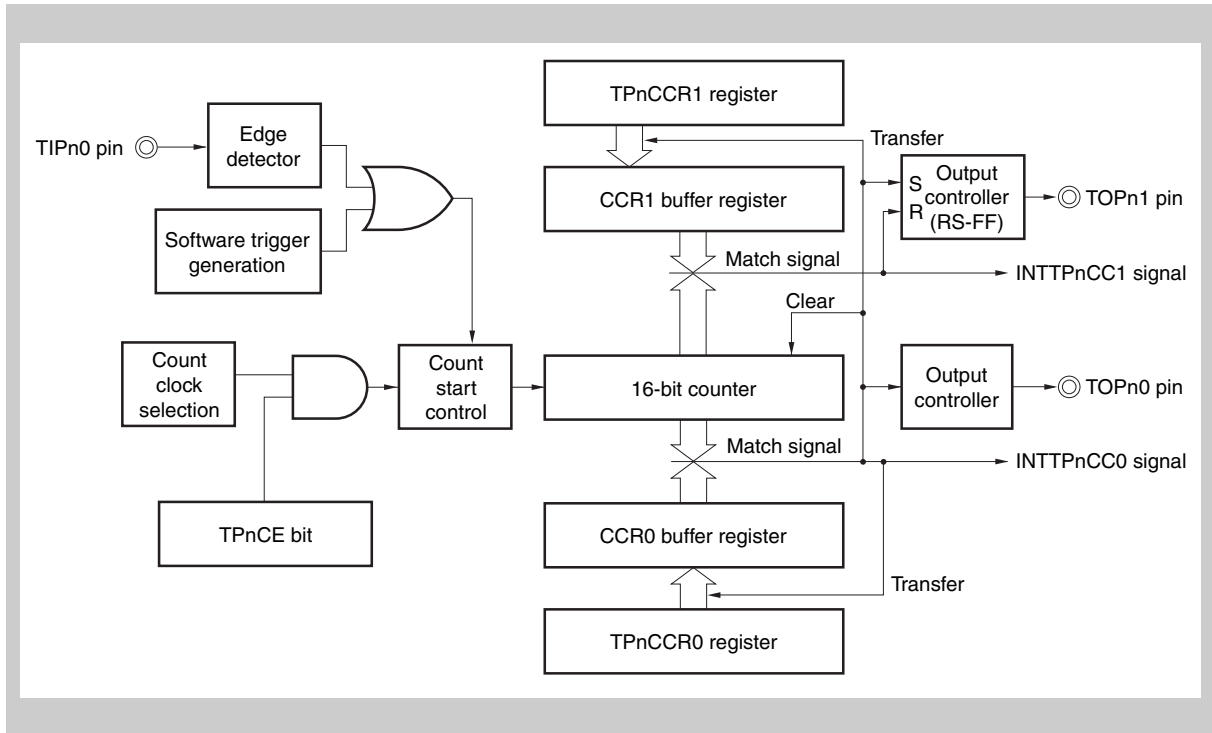
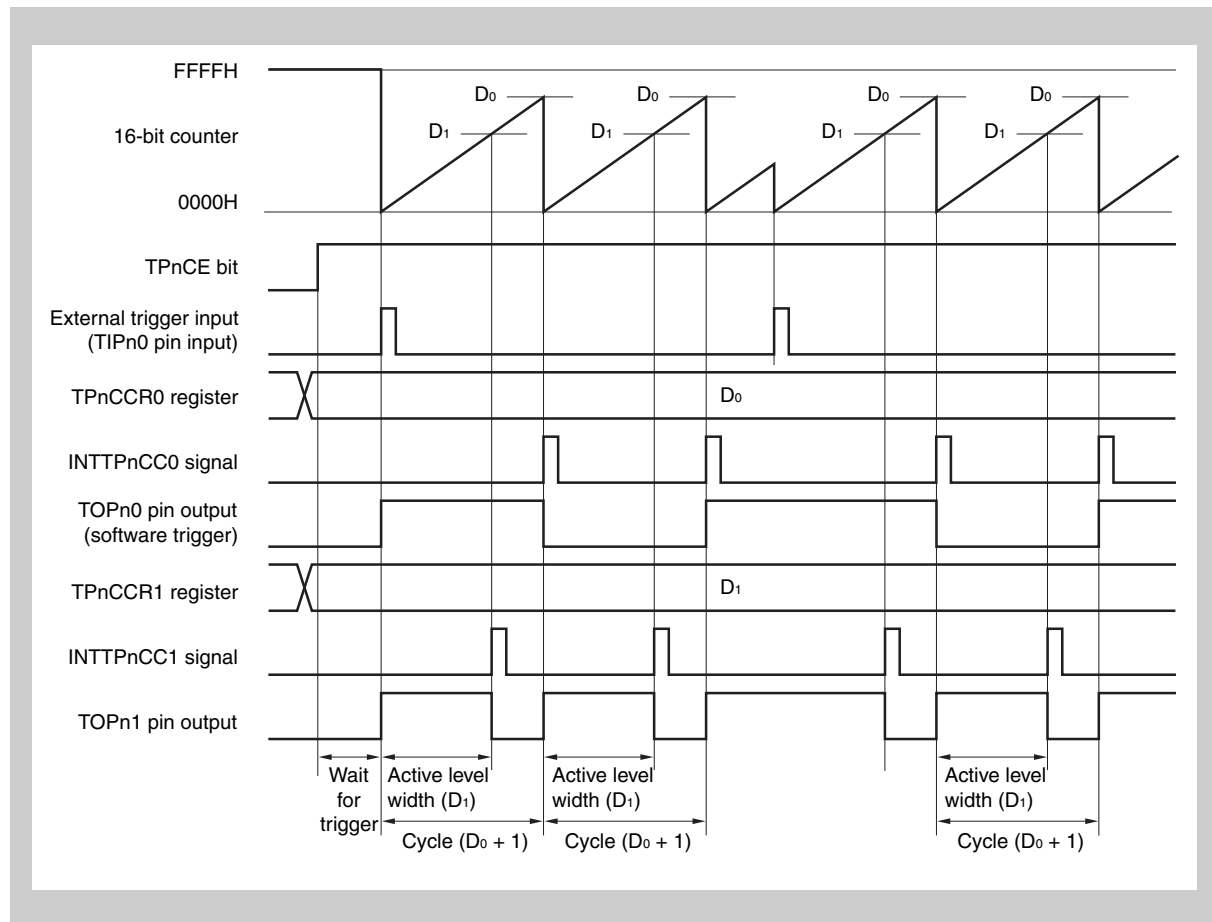


Figure 11-14 Configuration in external trigger pulse output mode



**Figure 11-15 Basic timing in external trigger pulse output mode**

16-bit timer/event counter P waits for a trigger when the TPnCE bit is set to 1. When the trigger is generated, the 16-bit counter is cleared from FFFFH to 0000H, starts counting at the same time, and outputs a PWM waveform from the TOPn1 pin.

If the trigger is generated again while the counter is operating, the counter is cleared to 0000H and restarted.

The active level width, cycle, and duty factor of the PWM waveform can be calculated as follows.

$$\text{Active level width} = (\text{Set value of TPnCCR1 register}) \times \text{Count clock cycle}$$

$$\text{Cycle} = (\text{Set value of TPnCCR0 register} + 1) \times \text{Count clock cycle}$$

$$\text{Duty factor} = (\text{Set value of TPnCCR1 register}) / (\text{Set value of TPnCCR0 register} + 1)$$

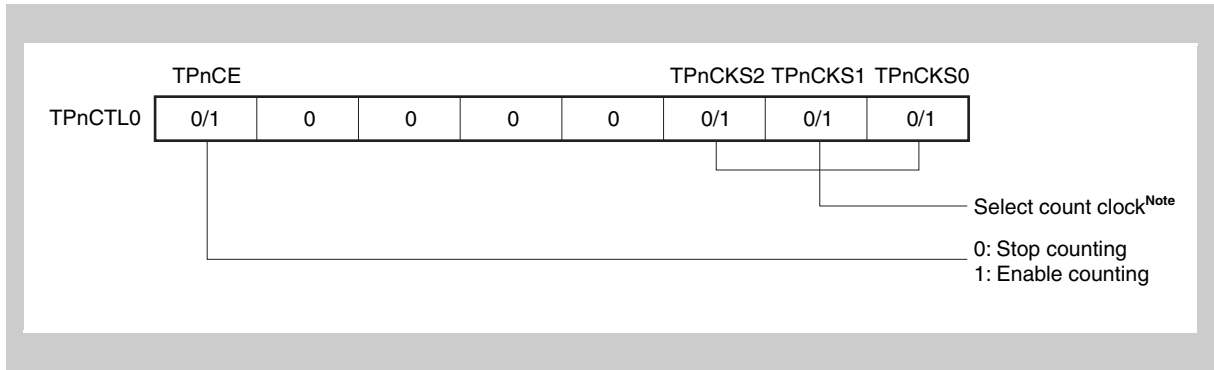
The compare match request signal INTTPnCC0 is generated when the 16-bit counter counts next time after its count value matches the value of the CCR0 buffer register, and the 16-bit counter is cleared to 0000H. The compare match interrupt request signal INTTPnCC1 is generated when the count value of the 16-bit counter matches the value of the CCR1 buffer register.

The value set to the TPnCCRm register is transferred to the CCRm buffer register when the count value of the 16-bit counter matches the value of the CCRm buffer register and the 16-bit counter is cleared to 0000H.

The valid edge of an external trigger input signal, or setting the software trigger (TPnCTL1.TPnEST bit) to 1 is used as the trigger.

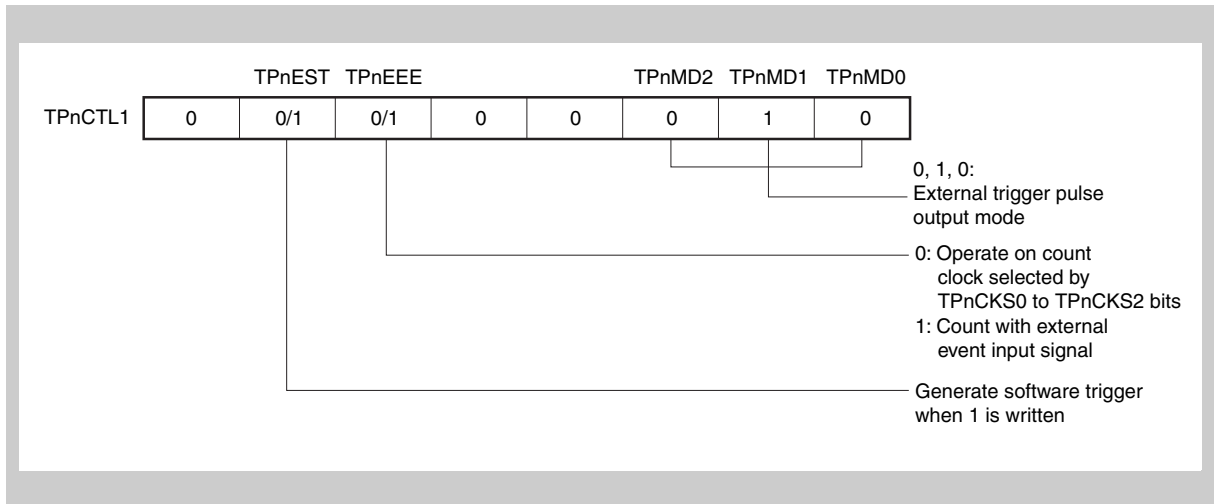
(1) Setting of registers in external trigger pulse output mode

(a) TMPn control register 0 (TPnCTL0)

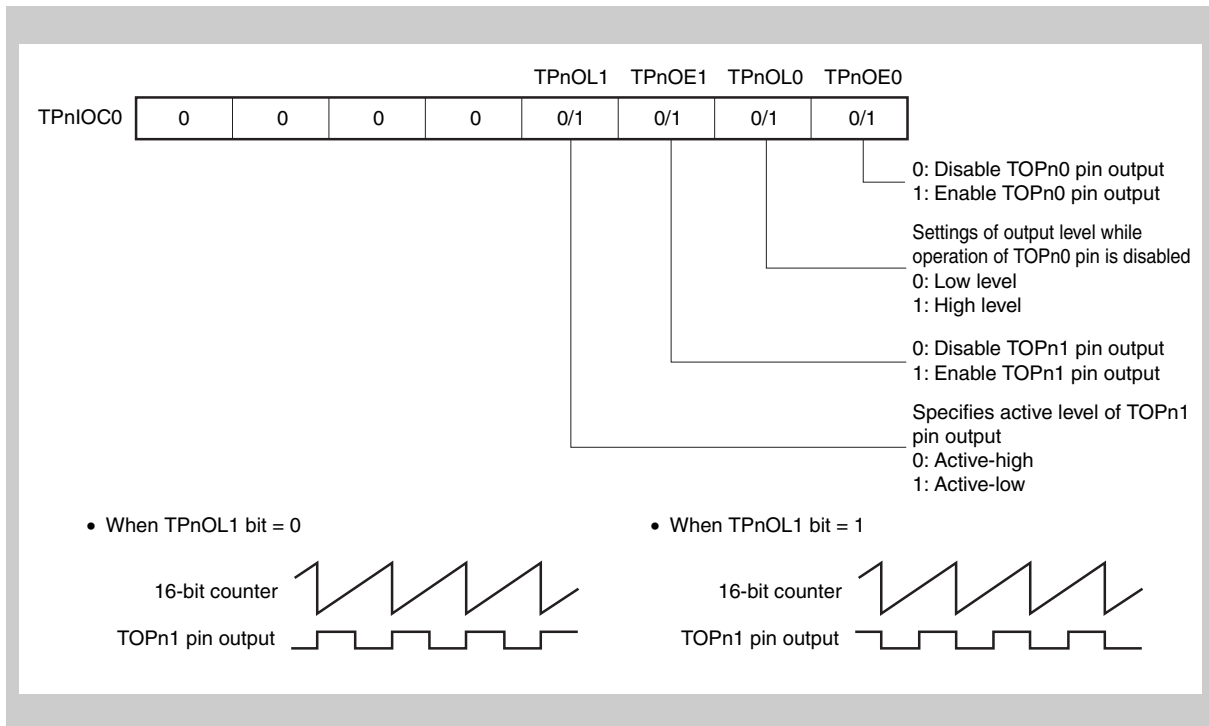


**Note** The setting is invalid when the TPnCTL1.TPnEEE bit = 1.

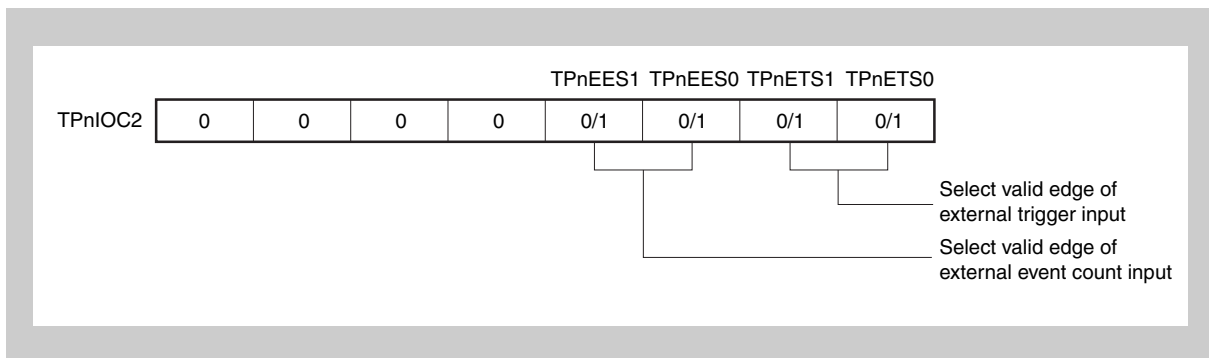
(b) TMPn control register 1 (TPnCTL1)



**(c) TMPn I/O control register 0 (TPnIOC0)**



**(d) TMPn I/O control register 2 (TPnIOC2)**



**(e) TMPn counter read buffer register (TPnCNT)**

The value of the 16-bit counter can be read by reading the TPnCNT register.

**(f) TMPn capture/compare registers 0 and 1 (TPnCCR0 and TPnCCR1)**

If D<sub>0</sub> is set to the TPnCCR0 register and D<sub>1</sub> to the TPnCCR1 register, the cycle and active level of the PWM waveform are as follows.

$$\text{Cycle} = (D_0 + 1) \times \text{Count clock cycle}$$

$$\text{Active level width} = D_1 \times \text{Count clock cycle}$$

**Note** TPn I/O control register 1 (TPnIOC1) and TMPn option register 0 (TPnOPT0) are not used in the external trigger pulse output mode.

(2) Operation flow in external trigger pulse output mode

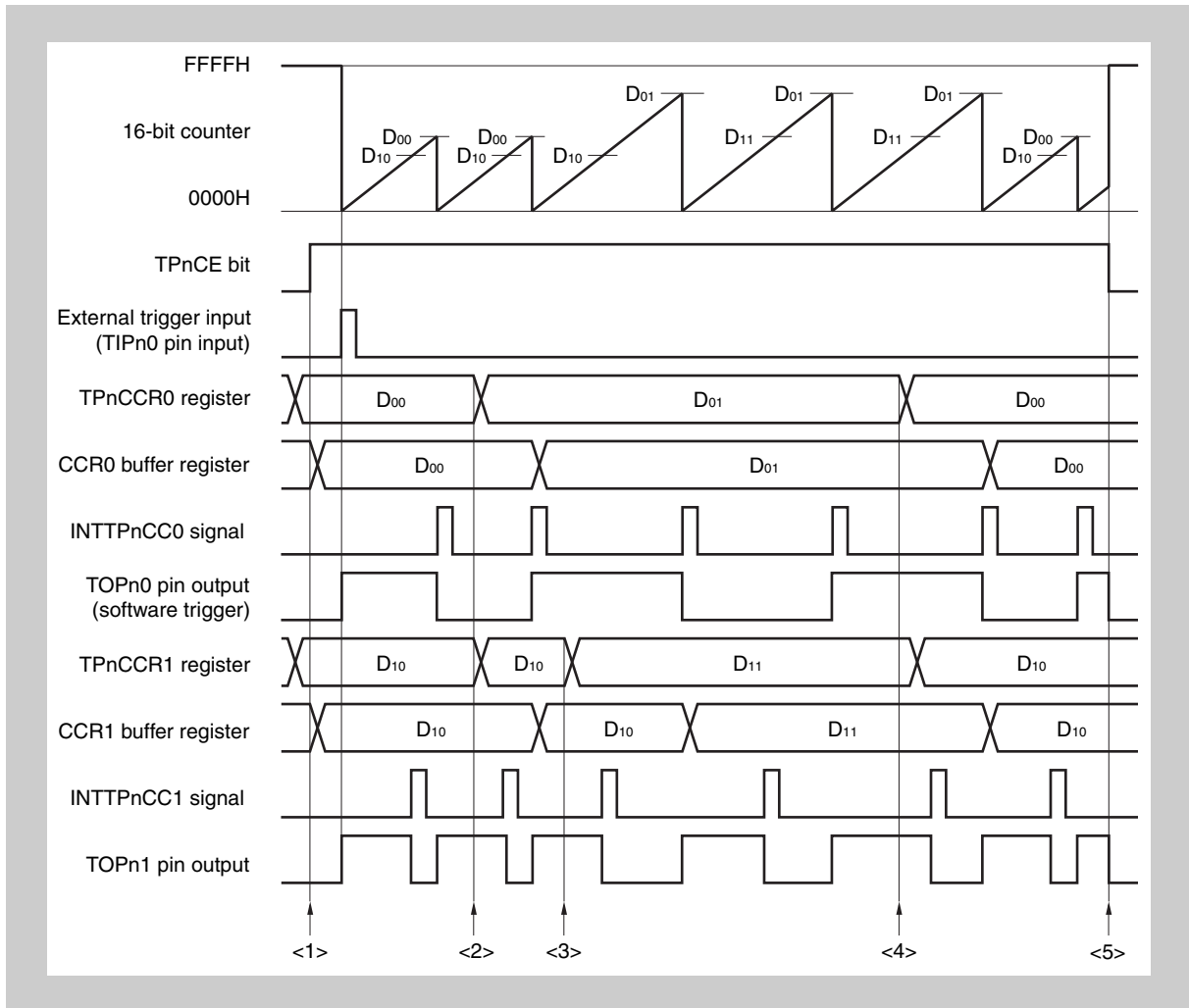


Figure 11-16 Software processing flow in external trigger pulse output mode (1/2)



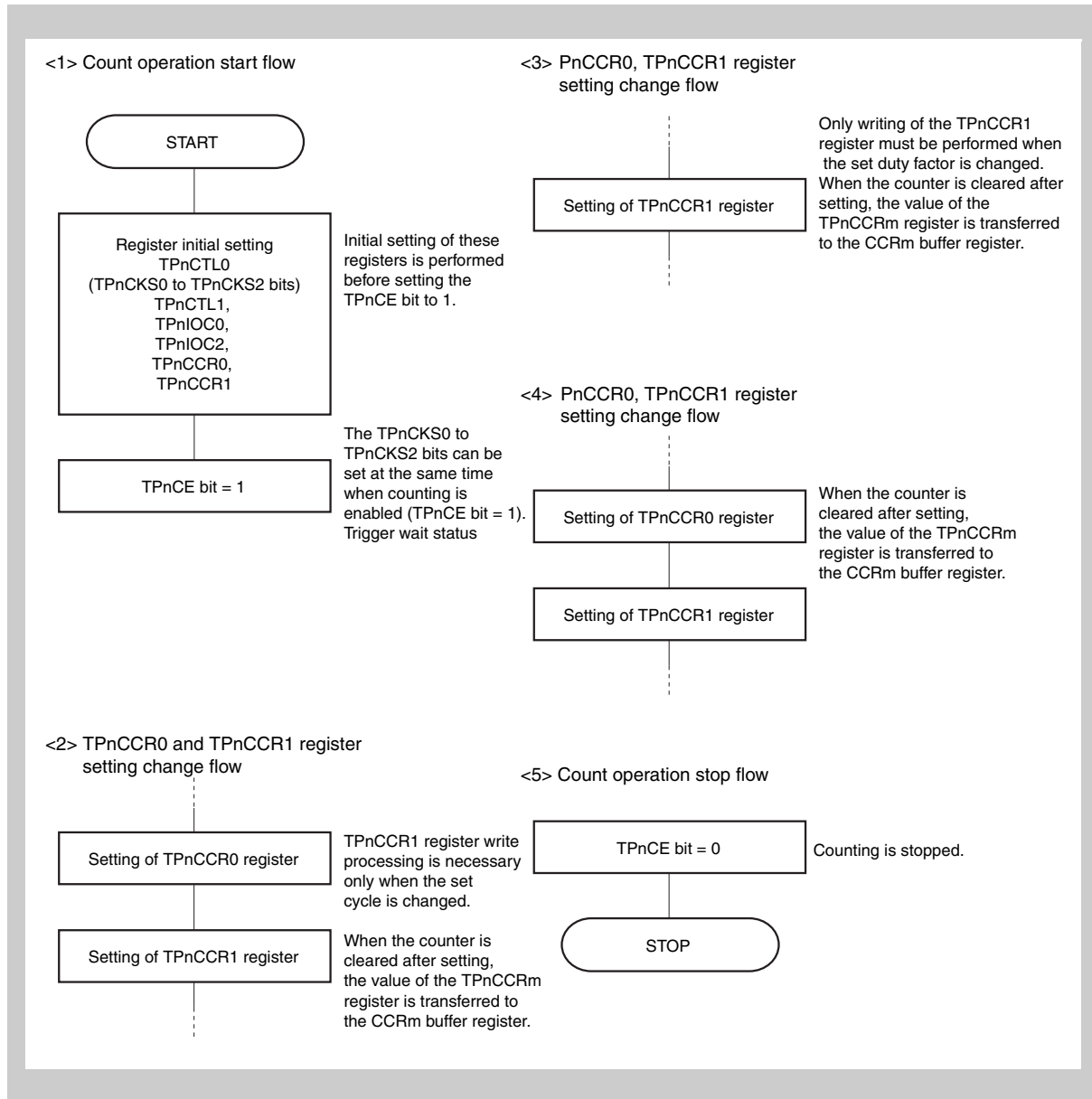


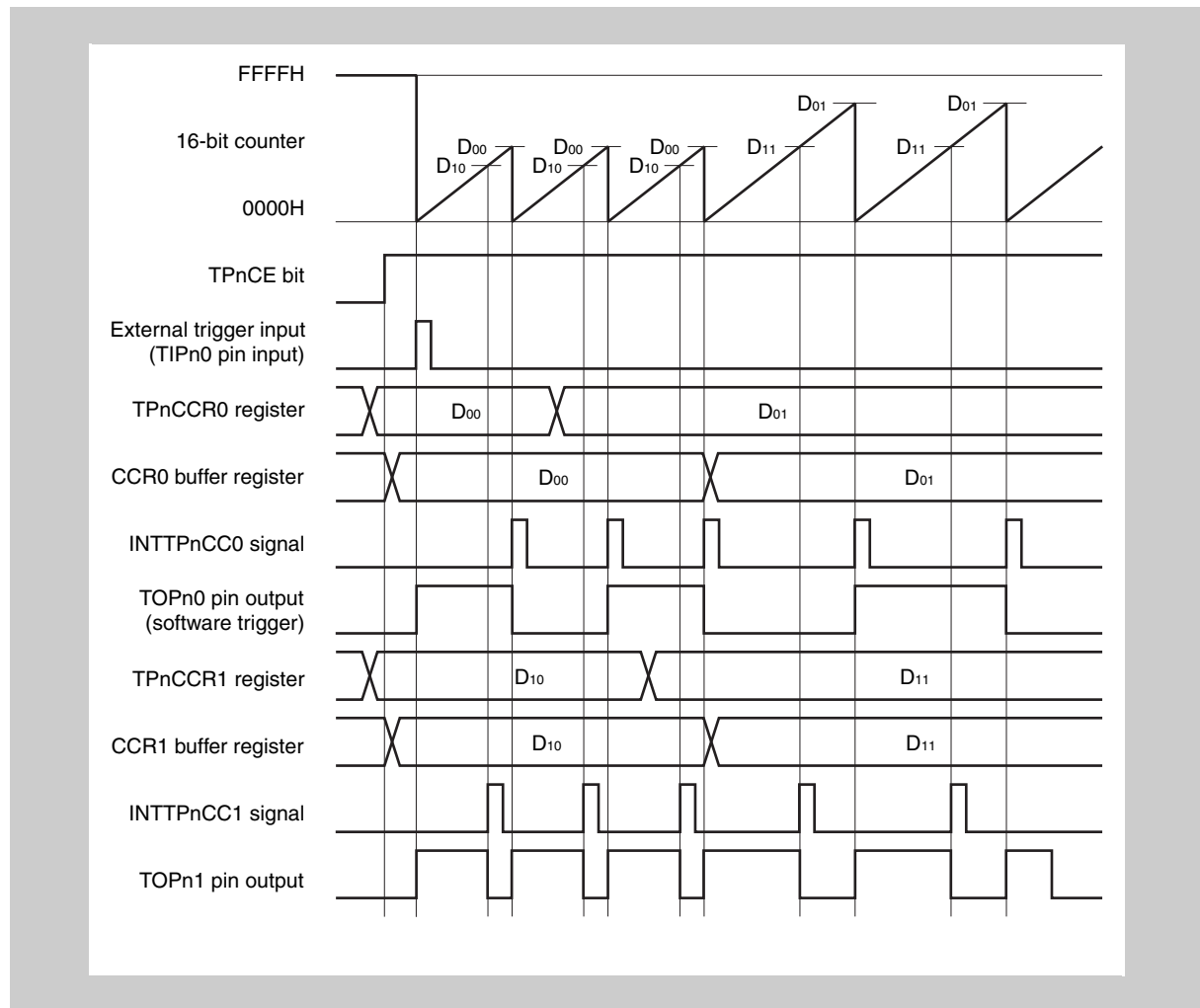
Figure 11-17 Software processing flow in external trigger pulse output mode (2/2)

**(3) External trigger pulse output mode operation timing**

**(a) Note on changing pulse width during operation**

To change the PWM waveform while the counter is operating, write the TPnCCR1 register last.

Rewrite the TPnCCRm register after writing the TPnCCR1 register after the INTTPnCC0 signal is detected.



In order to transfer data from the TPnCCRm register to the CCRm buffer register, the TPnCCR1 register must be written.

To change both the cycle and active level width of the PWM waveform at this time, first set the cycle to the TPnCCR0 register and then set the active level width to the TPnCCR1 register.

To change only the cycle of the PWM waveform, first set the cycle to the TPnCCR0 register, and then write the same value to the TPnCCR1 register.

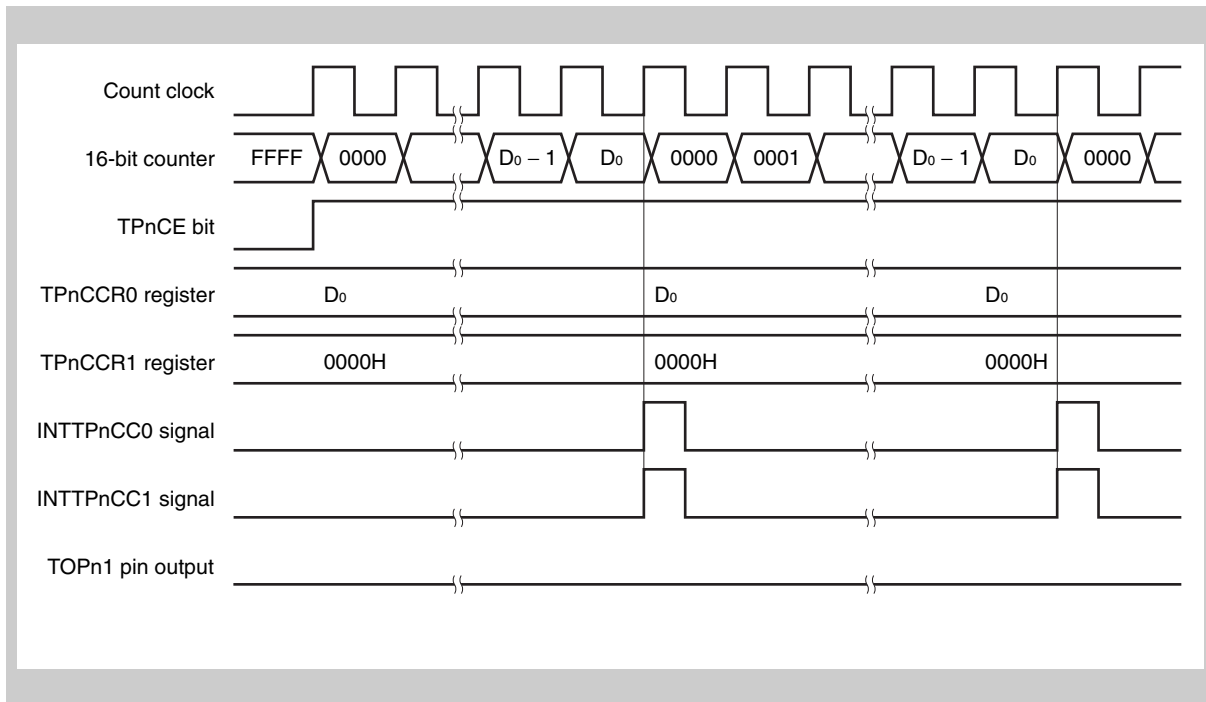
To change only the active level width (duty factor) of the PWM waveform, only the TPnCCR1 register has to be set.

After data is written to the TPnCCR1 register, the value written to the TPnCCRm register is transferred to the CCRm buffer register in synchronization with clearing of the 16-bit counter, and is used as the value compared with the 16-bit counter.

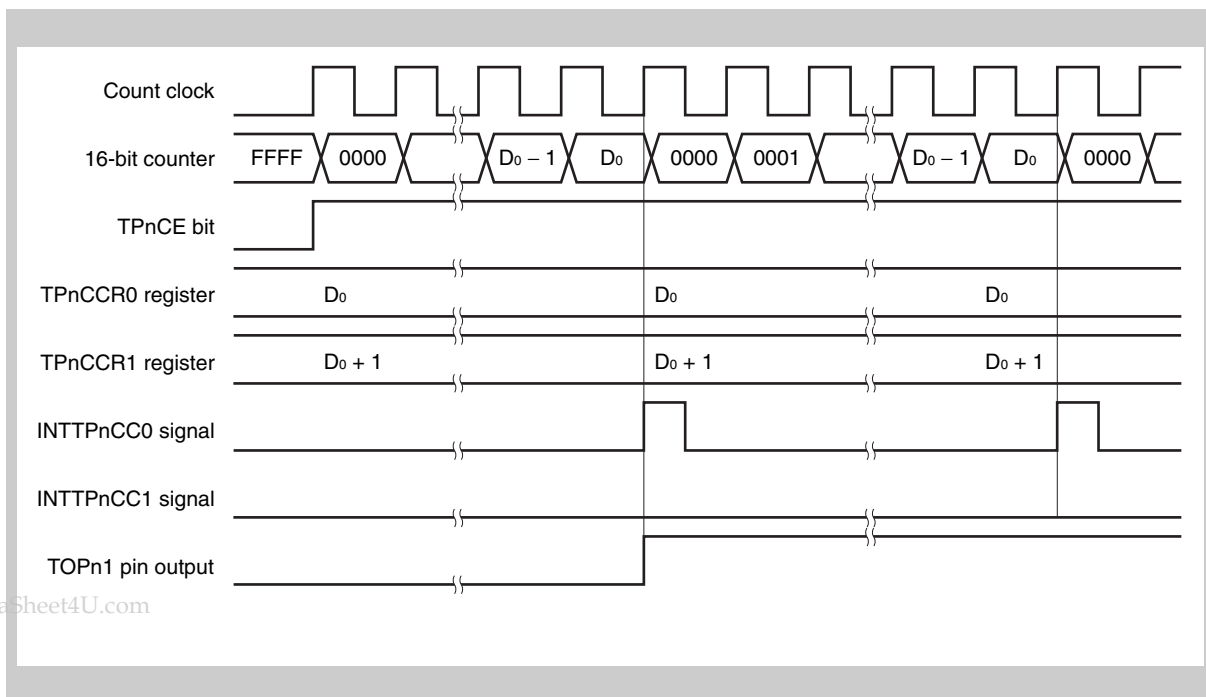
To write the TPnCCR0 or TPnCCR1 register again after writing the TPnCCR1 register once, do so after the INTTPnCC0 signal is generated. Otherwise, the value of the CCRm buffer register may become undefined because the timing of transferring data from the TPnCCRm register to the CCRm buffer register conflicts with writing the TPnCCRm register.

**(b) 0%/100% output of PWM waveform**

To output a 0% waveform, set the TPnCCR1 register to 0000H. If the set value of the TPnCCR0 register is FFFFH, the INTTPnCC1 signal is generated periodically.

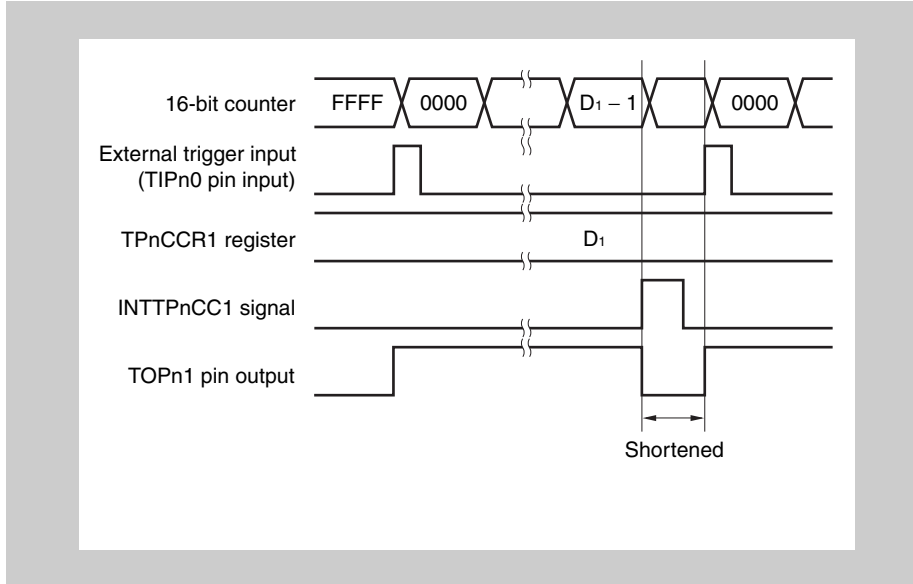


To output a 100% waveform, set a value of (set value of TPnCCR0 register + 1) to the TPnCCR1 register. If the set value of the TPnCCR0 register is FFFFH, 100% output cannot be produced.

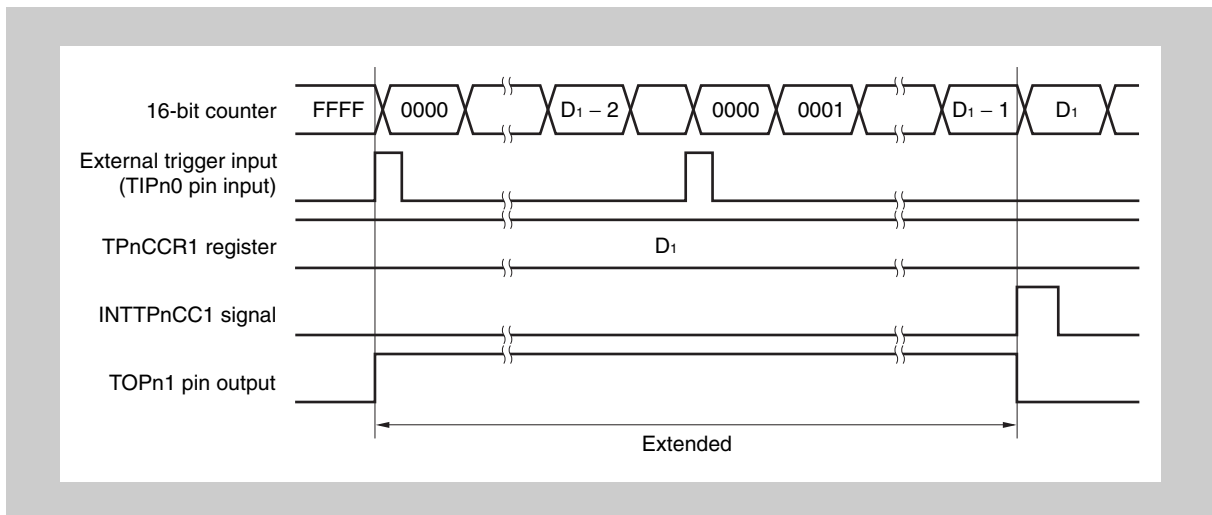


**(c) Conflict between trigger detection and match with TPnCCR1 register**

If the trigger is detected immediately after the INTTPnCC1 signal is generated, the 16-bit counter is immediately cleared to 0000H, the output signal of the TOPn1 pin is asserted, and the counter continues counting. Consequently, the inactive period of the PWM waveform is shortened.

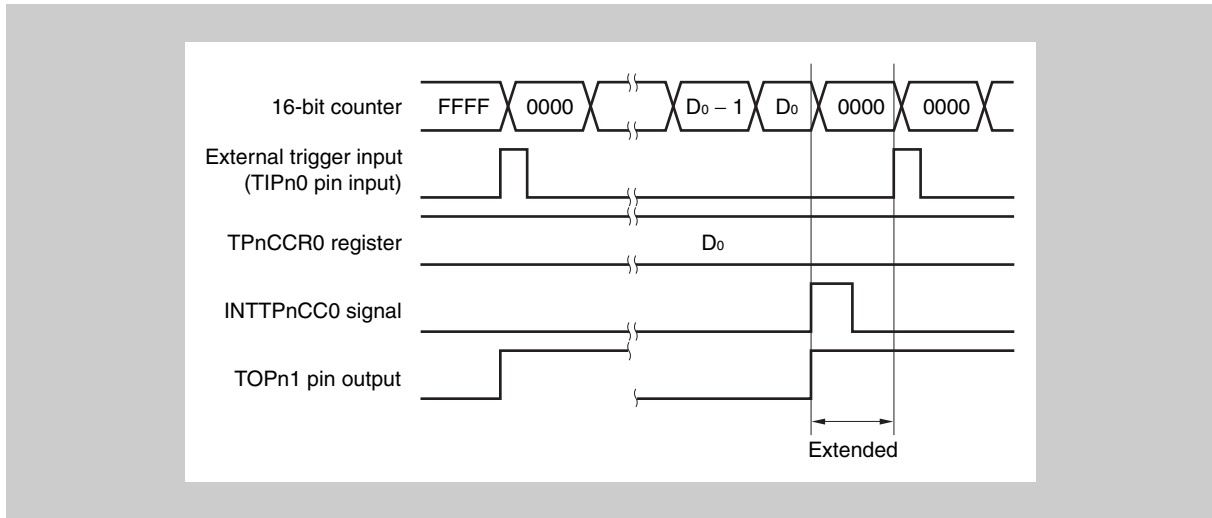


If the trigger is detected immediately before the INTTPnCC1 signal is generated, the INTTPnCC1 signal is not generated, and the 16-bit counter is cleared to 0000H and continues counting. The output signal of the TOPn1 pin remains active. Consequently, the active period of the PWM waveform is extended.

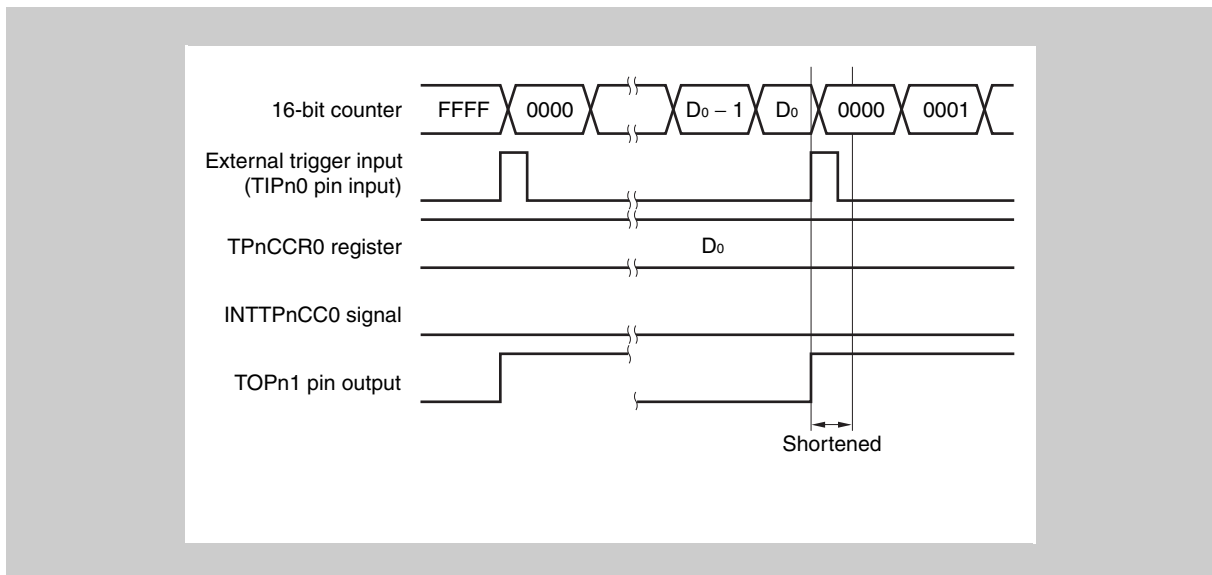


**(d) Conflict between trigger detection and match with TPnCCR0 register**

If the trigger is detected immediately after the INTTPnCC0 signal is generated, the 16-bit counter is cleared to 0000H and continues counting up. Therefore, the active period of the TOPn1 pin is extended by time from generation of the INTTPnCC0 signal to trigger detection.

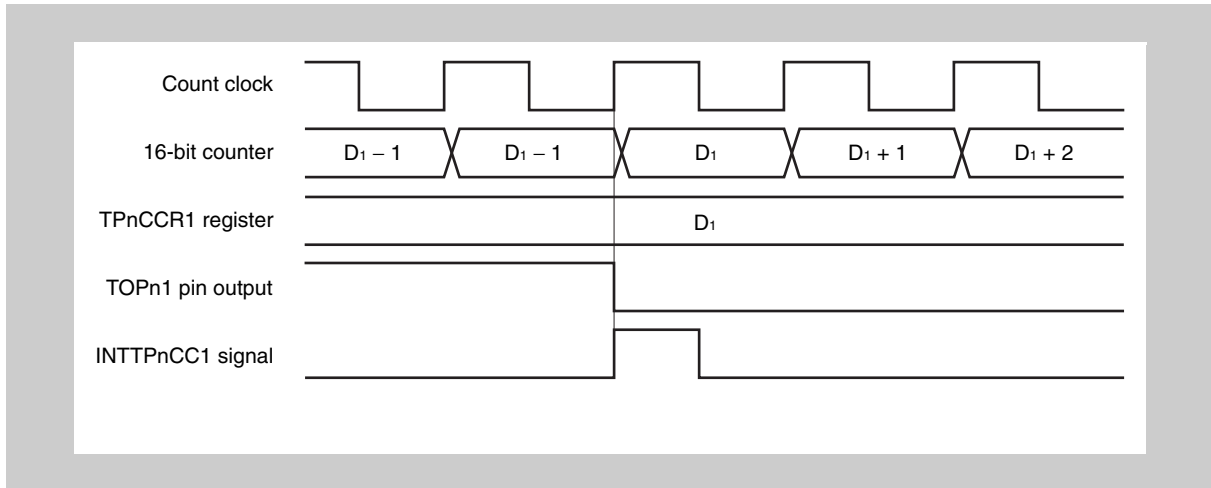


If the trigger is detected immediately before the INTTPnCC0 signal is generated, the INTTPnCC0 signal is not generated. The 16-bit counter is cleared to 0000H, the TOPn1 pin is asserted, and the counter continues counting. Consequently, the inactive period of the PWM waveform is shortened.



**(e) Generation timing of compare match interrupt request signal (INTTPnCC1)**

The timing of generation of the INTTPnCC1 signal in the external trigger pulse output mode differs from the timing of other INTTPnCC1 signals; the INTTPnCC1 signal is generated when the count value of the 16-bit counter matches the value of the TPnCCR1 register.



Usually, the INTTPnCC1 signal is generated in synchronization with the next count up, after the count value of the 16-bit counter matches the value of the TPnCCR1 register.

In the external trigger pulse output mode, however, it is generated one clock earlier. This is because the timing is changed to match the timing of changing the output signal of the TOPn1 pin.

### 11.5.4 One-shot pulse output mode (TPnMD2 to TPnMD0 = 011)

In the one-shot pulse output mode, 16-bit timer/event counter P waits for a trigger when the TPnCTL0.TPnCE bit is set to 1. When the valid edge of an external trigger input is detected, 16-bit timer/event counter P starts counting, and outputs a one-shot pulse from the TOPn1 pin.

Instead of the external trigger, a software trigger can also be generated to output the pulse. When the software trigger is used, the TOPn0 pin outputs the active level while the 16-bit counter is counting, and the inactive level when the counter is stopped (waiting for a trigger).

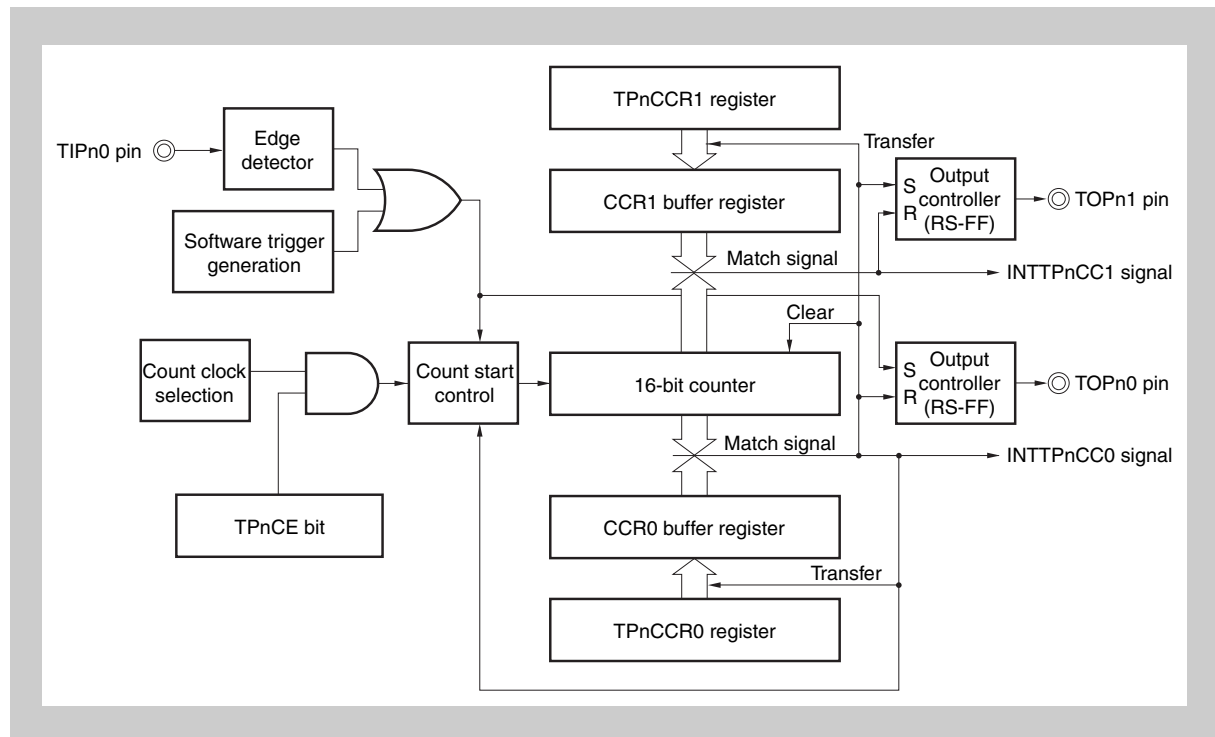
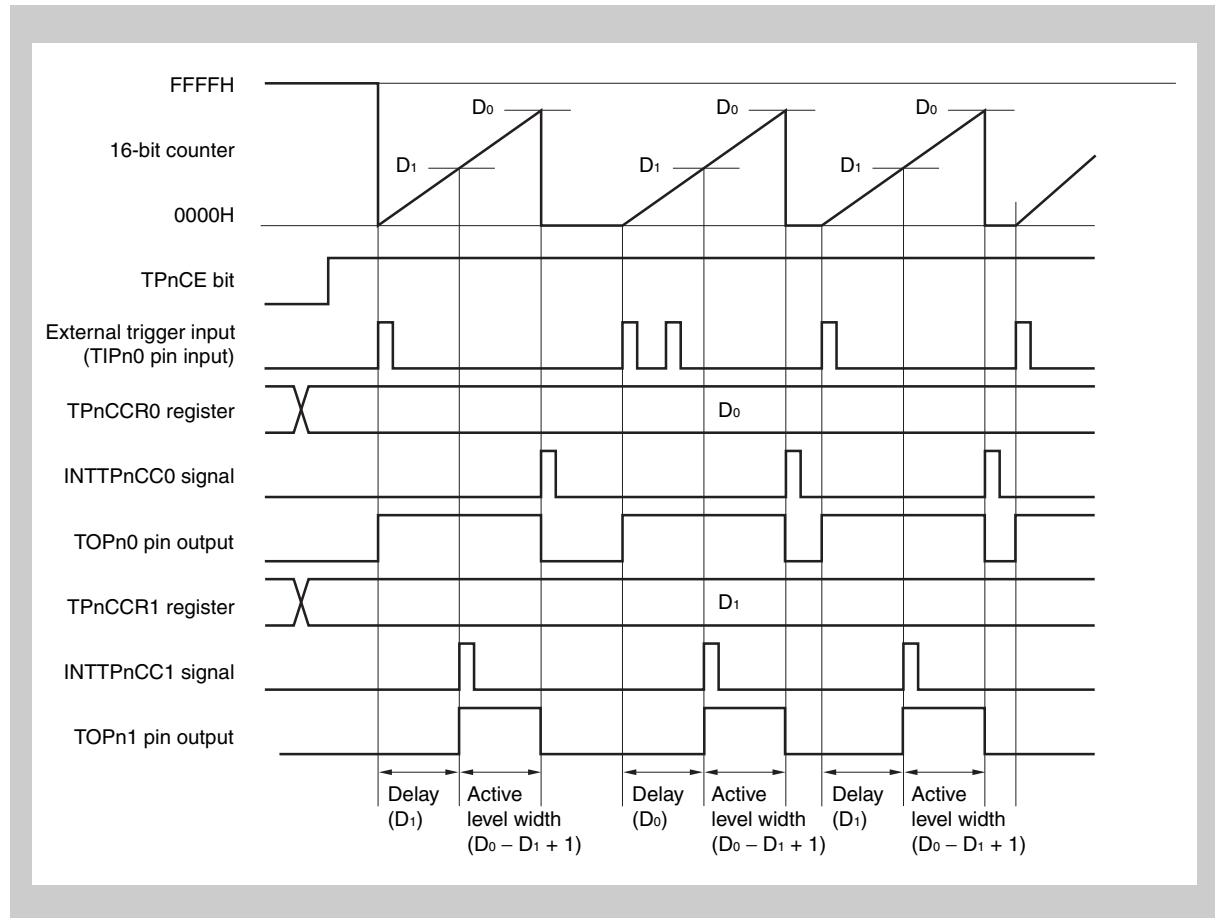


Figure 11-18 Configuration in one-shot pulse output mode



**Figure 11-19 Basic timing in one-shot pulse output mode**

When the TPnCE bit is set to 1, 16-bit timer/event counter P waits for a trigger. When the trigger is generated, the 16-bit counter is cleared from FFFFH to 0000H, starts counting, and outputs a one-shot pulse from the TOPn1 pin. After the one-shot pulse is output, the 16-bit counter is set to FFFFH, stops counting, and waits for a trigger. If a trigger is generated again while the one-shot pulse is being output, it is ignored.

The output delay period and active level width of the one-shot pulse can be calculated as follows.

Output delay period = (Set value of TPnCCR1 register) × Count clock cycle

Active level width =  
(Set value of TPnCCR0 register – Set value of TPnCCR1 register + 1) × Count clock cycle

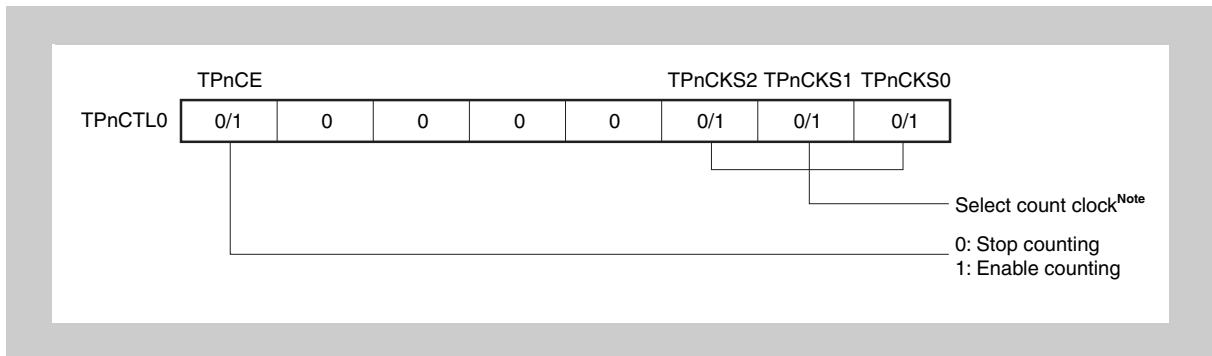
The compare match interrupt request signal INTTPnCC0 is generated when the 16-bit counter counts after its count value matches the value of the CCR0 buffer register. The compare match interrupt request signal INTTPnCC1 is generated when the count value of the 16-bit counter matches the value of the CCR1 buffer register.

The valid edge of an external trigger input or setting the software trigger (TPnCTL1.TPnEST bit) to 1 is used as the trigger.



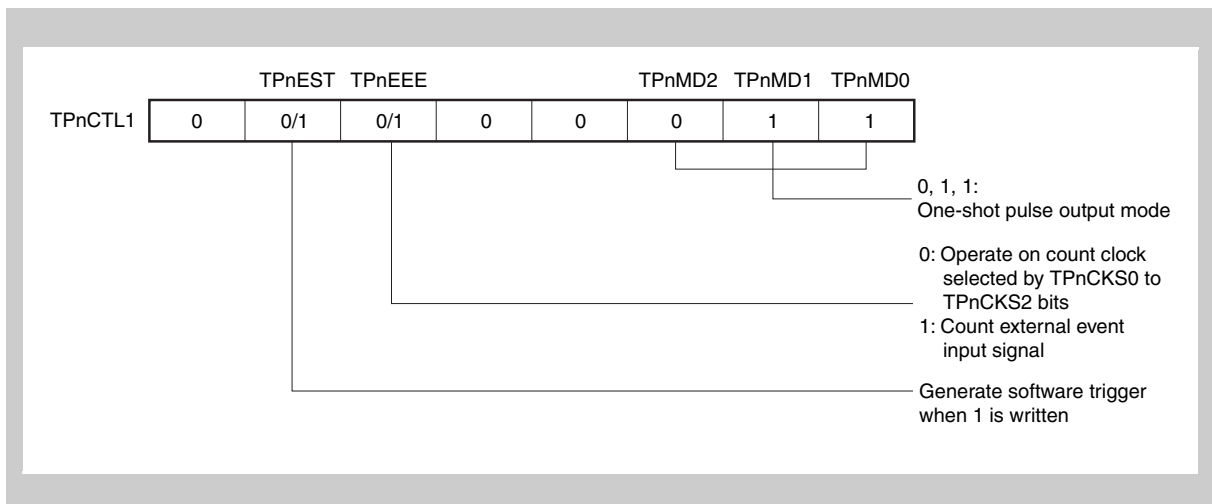
(1) Setting of registers in one-shot pulse output mode

(a) TMPn control register 0 (TPnCTL0)

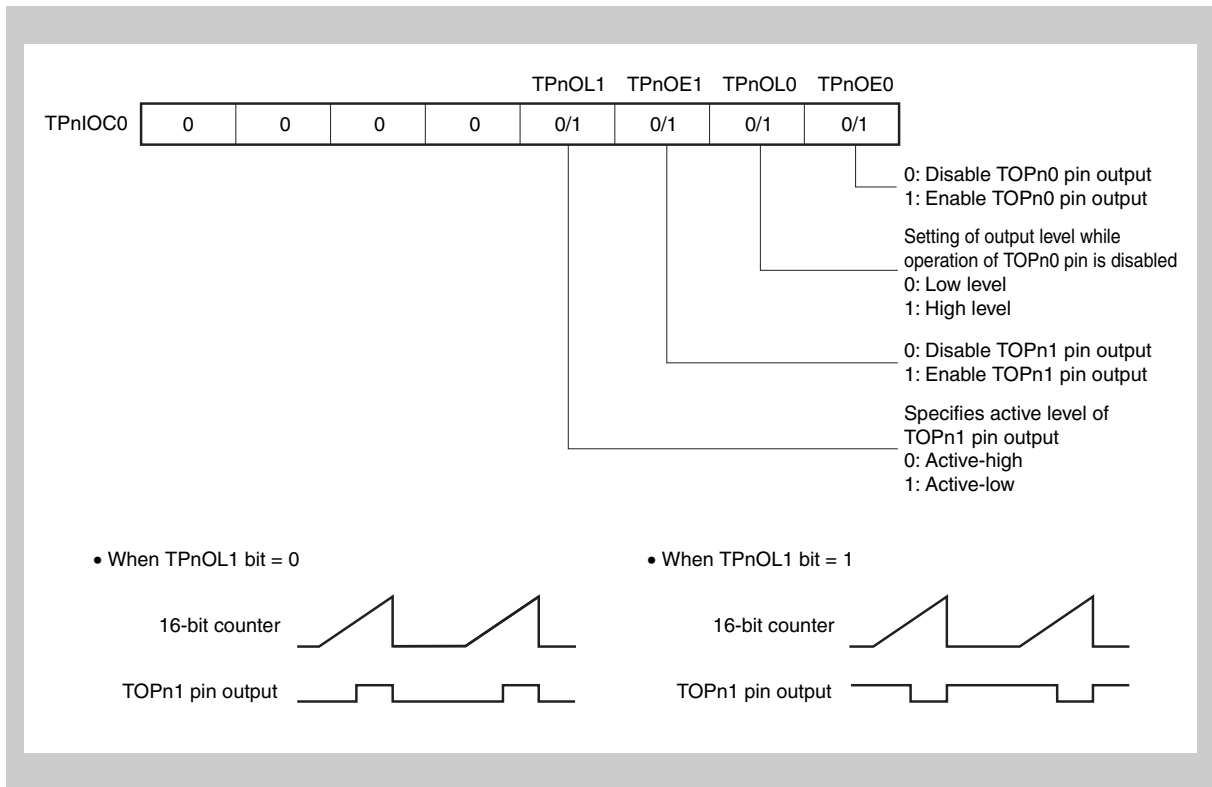


**Note** The setting is invalid when the TPnCTL1.TPnEEE bit = 1.

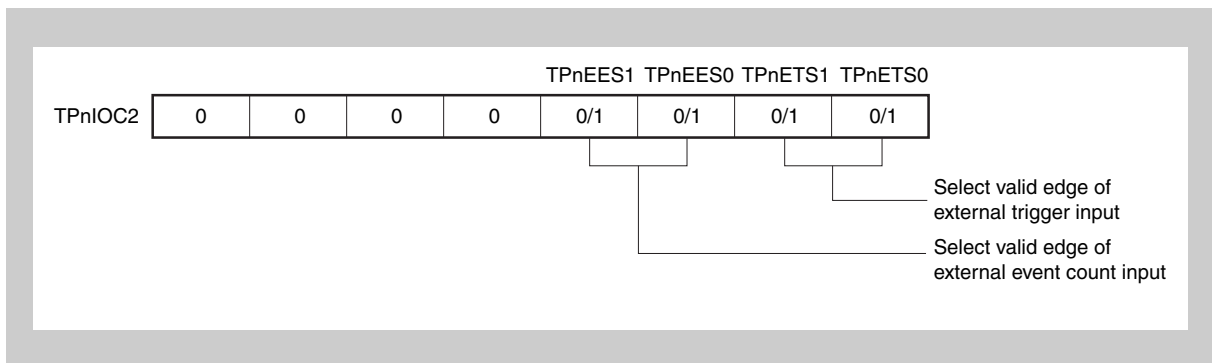
(b) TMPn control register 1 (TPnCTL1)



**(c) TMPn I/O control register 0 (TPnIOC0)**



**(d) TMPn I/O control register 2 (TPnIOC2)**



**(e) TMPn counter read buffer register (TPnCNT)**

The value of the 16-bit counter can be read by reading the TPnCNT register.

**(f) TMPn capture/compare registers 0 and 1 (TPnCCR0 and TPnCCR1)**

If D<sub>0</sub> is set to the TPnCCR0 register and D<sub>1</sub> to the TPnCCR1 register, the active level width and output delay period of the one-shot pulse are as follows.

$$\text{Active level width} = (D_1 - D_0 + 1) \times \text{Count clock cycle}$$

$$\text{Output delay period} = D_1 \times \text{Count clock cycle}$$

**Note** TMPn I/O control register 1 (TPnIOC1) and TMPn option register 0 (TPnOPT0) are not used in the one-shot pulse output mode.

(2) Operation flow in one-shot pulse output mode

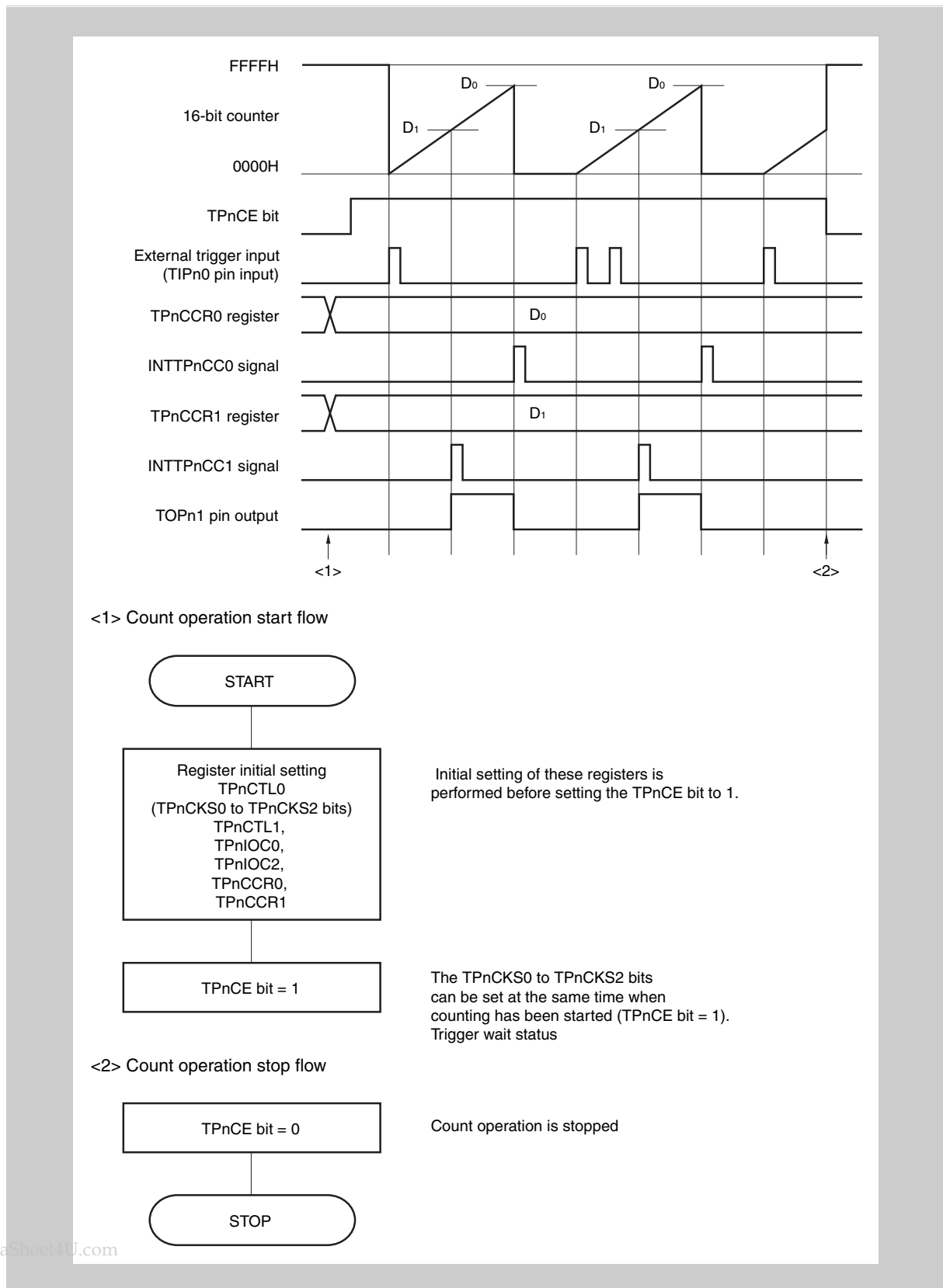


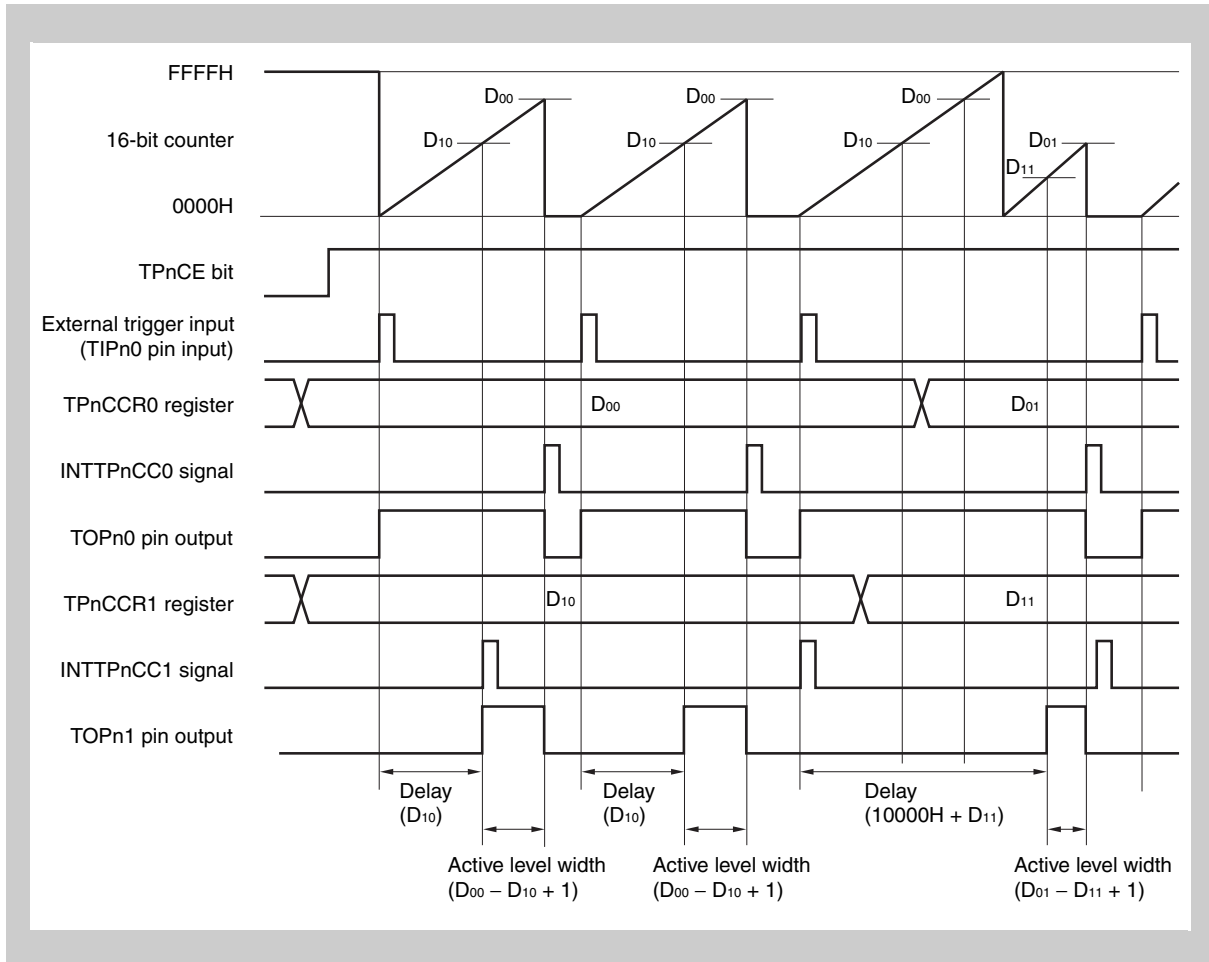
Figure 11-20 Software processing flow in one-shot pulse output mode

(3) Operation timing in one-shot pulse output mode

(a) Note on rewriting TPnCCRm register

To change the set value of the TPnCCRm register to a smaller value, stop counting once, and then change the set value.

If the value of the TPnCCRm register is rewritten to a smaller value during counting, the 16-bit counter may overflow.

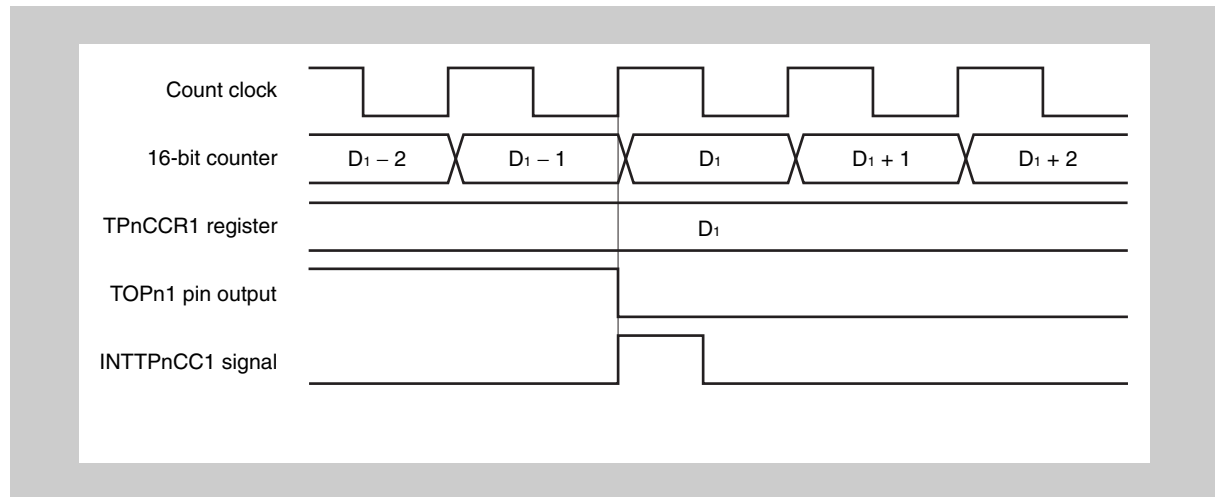


When the TPnCCR0 register is rewritten from D<sub>00</sub> to D<sub>01</sub> and the TPnCCR1 register from D<sub>10</sub> to D<sub>11</sub> where D<sub>00</sub> > D<sub>01</sub> and D<sub>10</sub> > D<sub>11</sub>, if the TPnCCR1 register is rewritten when the count value of the 16-bit counter is greater than D<sub>11</sub> and less than D<sub>10</sub> and if the TPnCCR0 register is rewritten when the count value is greater than D<sub>01</sub> and less than D<sub>00</sub>, each set value is reflected as soon as the register has been rewritten and compared with the count value. The counter counts up to FFFFH and then counts up again from 0000H. When the count value matches D<sub>11</sub>, the counter generates the INTTPnCC1 signal and asserts the TOPn1 pin. When the count value matches D<sub>01</sub>, the counter generates the INTTPnCC0 signal, deasserts the TOPn1 pin, and stops counting.

Therefore, the counter may output a pulse with a delay period or active period different from that of the one-shot pulse that is originally expected.

**(b) Generation timing of compare match interrupt request signal (INTTPnCC1)**

The generation timing of the INTTPnCC1 signal in the one-shot pulse output mode is different from other INTTPnCC1 signals; the INTTPnCC1 signal is generated when the count value of the 16-bit counter matches the value of the TPnCCR1 register.



Usually, the INTTPnCC1 signal is generated when the 16-bit counter counts up next time after its count value matches the value of the TPnCCR1 register.

In the one-shot pulse output mode, however, it is generated one clock earlier. This is because the timing is changed to match the change timing of the TOPn1 pin.

**11.5.5 PWM output mode (TPnMD2 to TPnMD0 = 100)**

In the PWM output mode, a PWM waveform is output from the TOPn1 pin when the TPnCTL0.TPnCE bit is set to 1.

In addition, a pulse with one cycle of the PWM waveform as half its cycle is output from the TOPn0 pin.

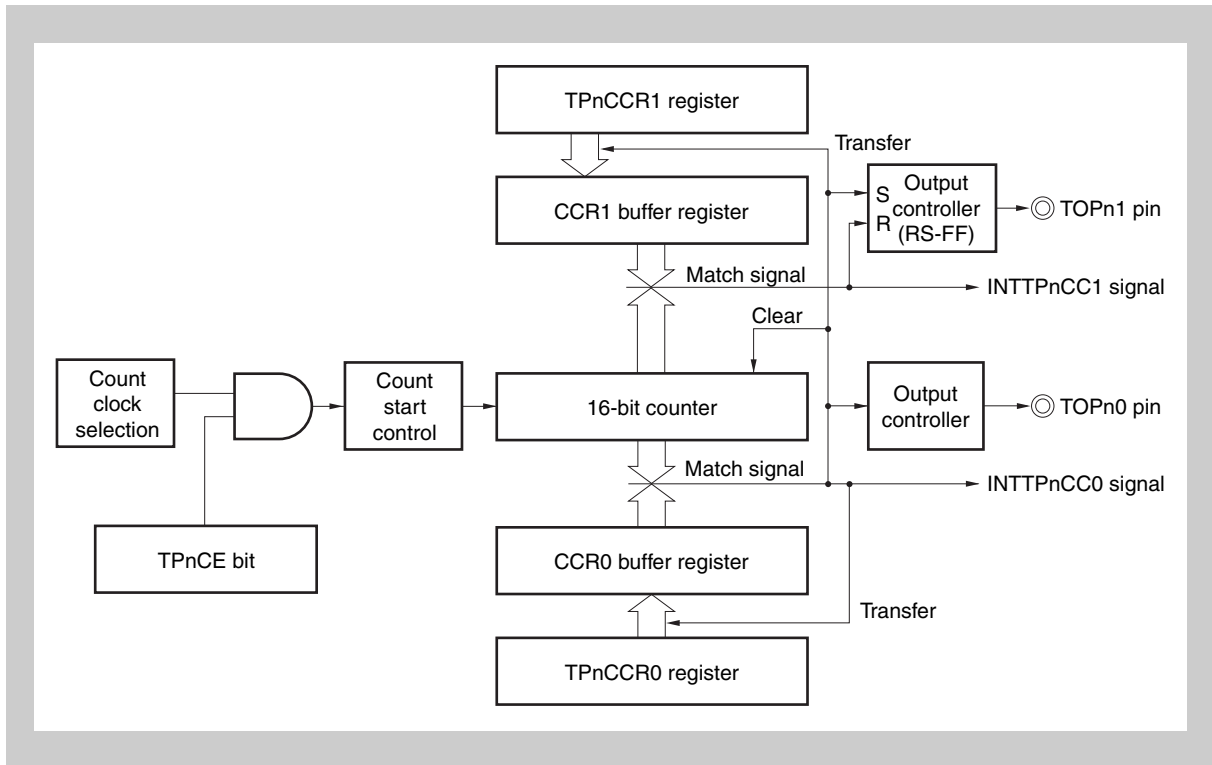


Figure 11-21 Configuration in PWM output mode

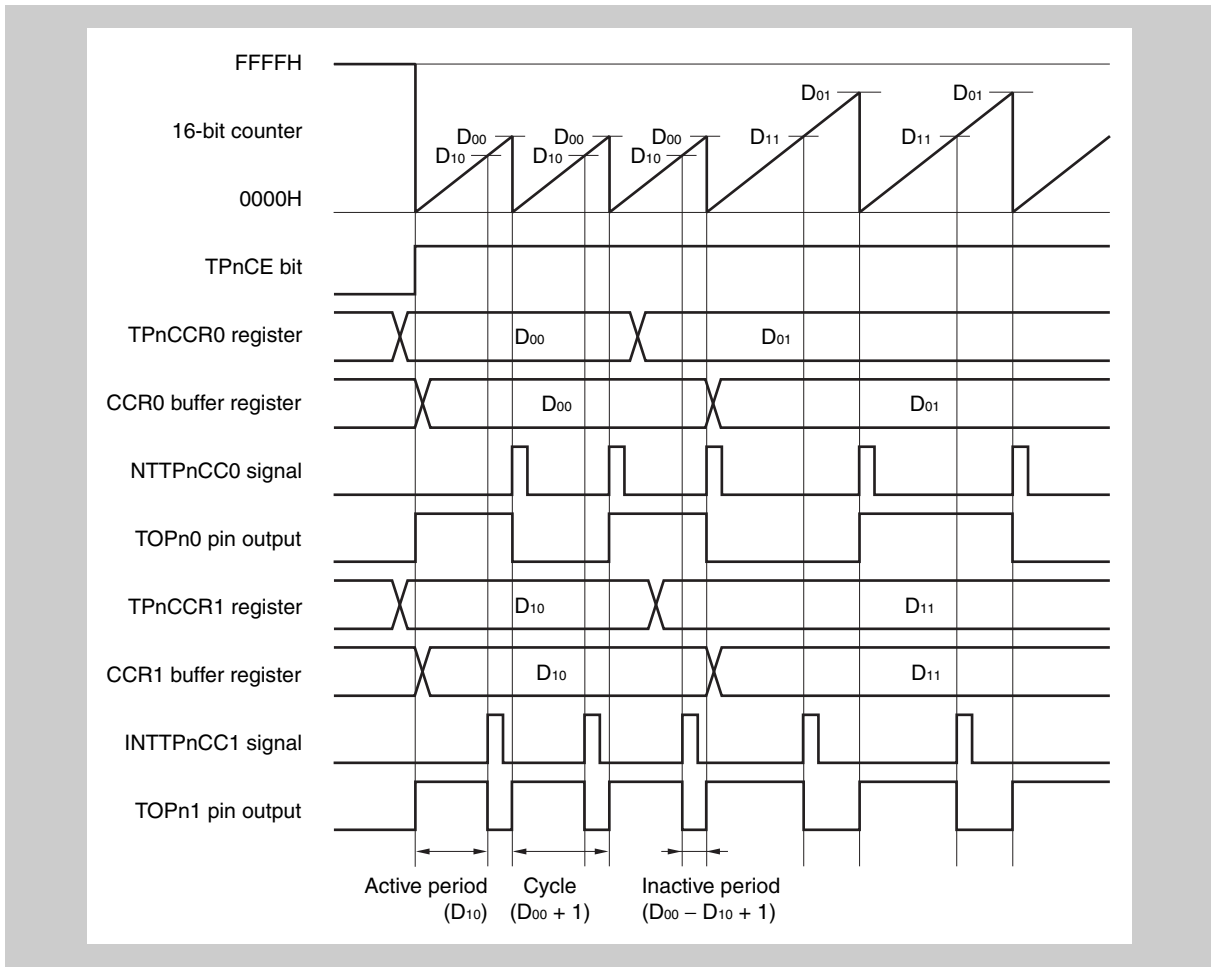


Figure 11-22 Basic timing in PWM output mode

When the TPNCE bit is set to 1, the 16-bit counter is cleared from FFFFH to 0000H, starts counting, and outputs a PWM waveform from the TOPn1 pin.

The active level width, cycle, and duty factor of the PWM waveform can be calculated as follows.

$$\begin{aligned} \text{Active level width} &= (\text{Set value of TPNCCR1 register}) \times \text{Count clock cycle} \\ \text{Cycle} &= (\text{Set value of TPNCCR0 register} + 1) \times \text{Count clock cycle} \\ \text{Duty factor} &= (\text{Set value of TPNCCR1 register}) / (\text{Set value of TPNCCR0 register} + 1) \end{aligned}$$

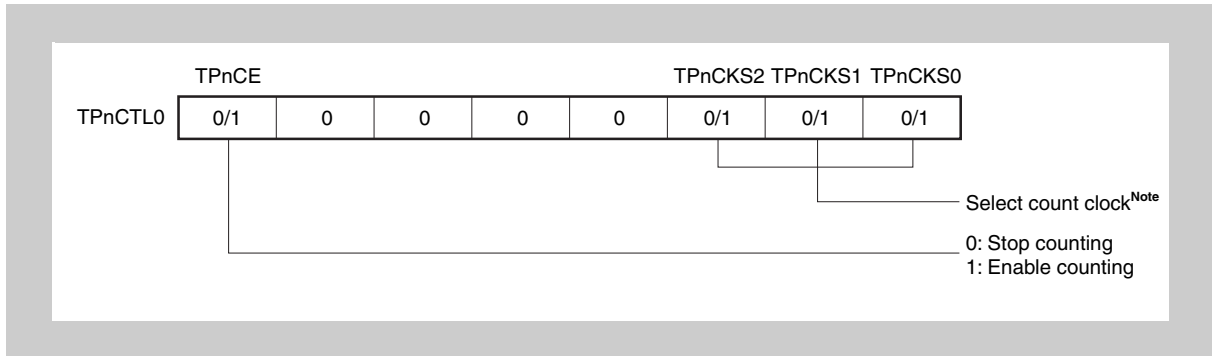
The PWM waveform can be changed by rewriting the TPNCCRm register while the counter is operating. The newly written value is reflected when the count value of the 16-bit counter matches the value of the CCR0 buffer register and the 16-bit counter is cleared to 0000H.

The compare match interrupt request signal INTTPnCC0 is generated when the 16-bit counter counts next time after its count value matches the value of the CCR0 buffer register, and the 16-bit counter is cleared to 0000H. The compare match interrupt request signal INTTPnCC1 is generated when the count value of the 16-bit counter matches the value of the CCR1 buffer register.

The value set to the TPNCCRm register is transferred to the CCRm buffer register when the count value of the 16-bit counter matches the value of the CCRm buffer register and the 16-bit counter is cleared to 0000H.

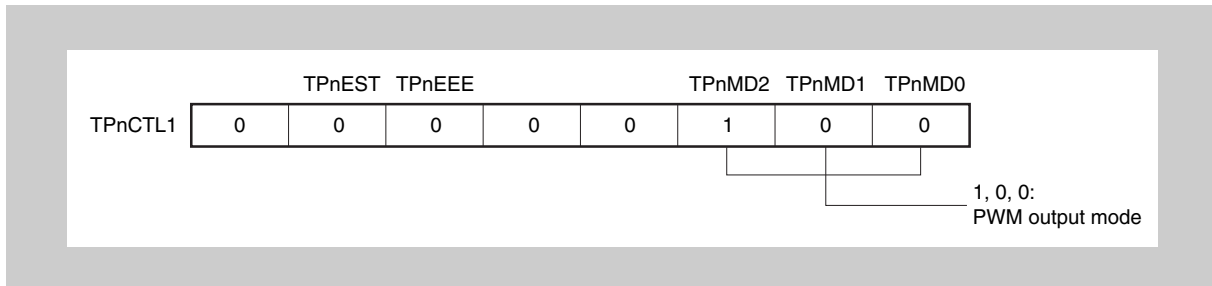
(1) Setting of registers in PWM output mode

(a) TMPn control register 0 (TPnCTL0)

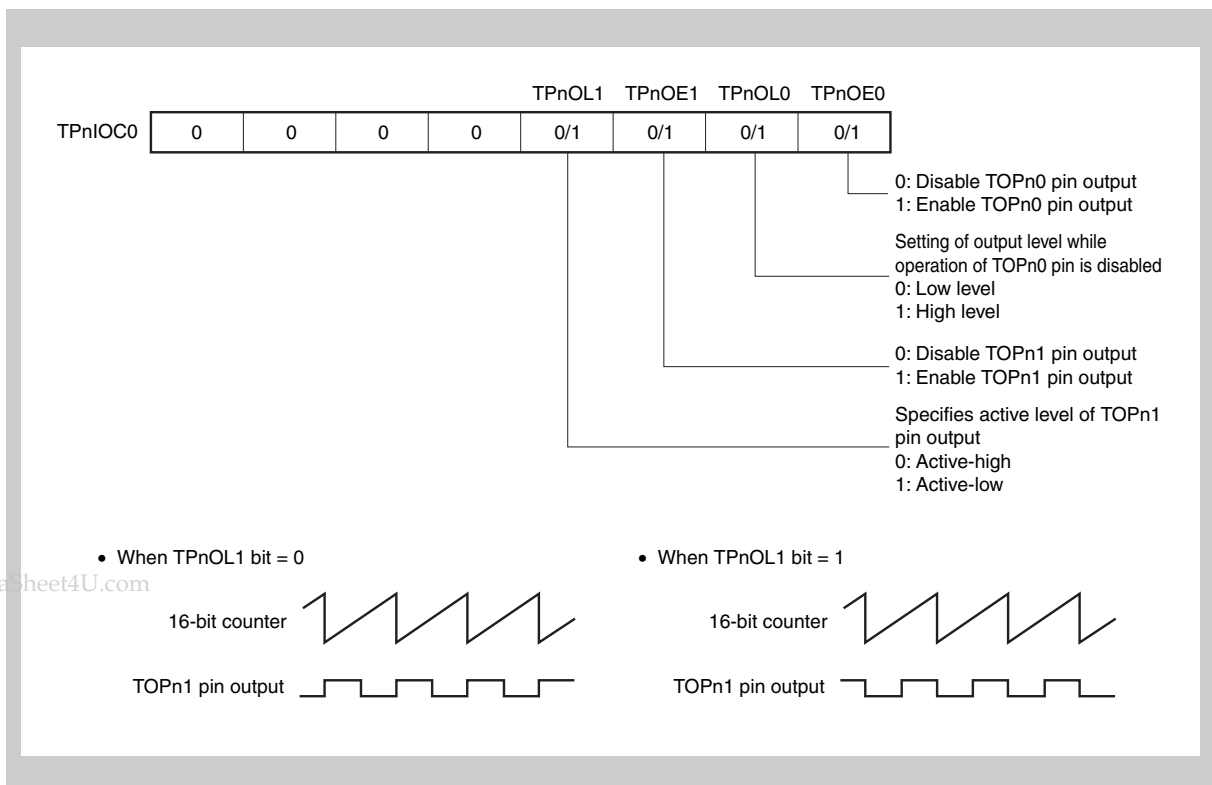


**Note** The setting is invalid when the TPnCTL1.TPnEEE bit = 1.

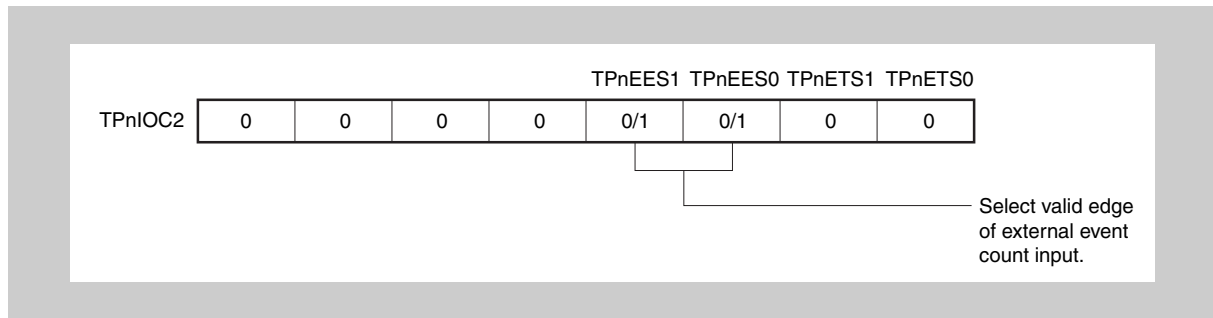
(b) TMPn control register 1 (TPnCTL1)



(c) TMPn I/O control register 0 (TPnIOC0)





**(d) TMPn I/O control register 2 (TPnIOC2)****(e) TMPn counter read buffer register (TPnCNT)**

The value of the 16-bit counter can be read by reading the TPnCNT register.

**(f) TMPn capture/compare registers 0 and 1 (TPnCCR0 and TPnCCR1)**

If  $D_0$  is set to the TPnCCR0 register and  $D_1$  to the TPnCCR1 register, the cycle and active level of the PWM waveform are as follows.

$$\text{Cycle} = (D_0 + 1) \times \text{Count clock cycle}$$

$$\text{Active level width} = D_1 \times \text{Count clock cycle}$$

**Note** TMPn I/O control register 1 (TPnIOC1) and TMPn option register 0 (TPnOPT0) are not used in the PWM output mode.

(2) Operation flow in PWM output mode

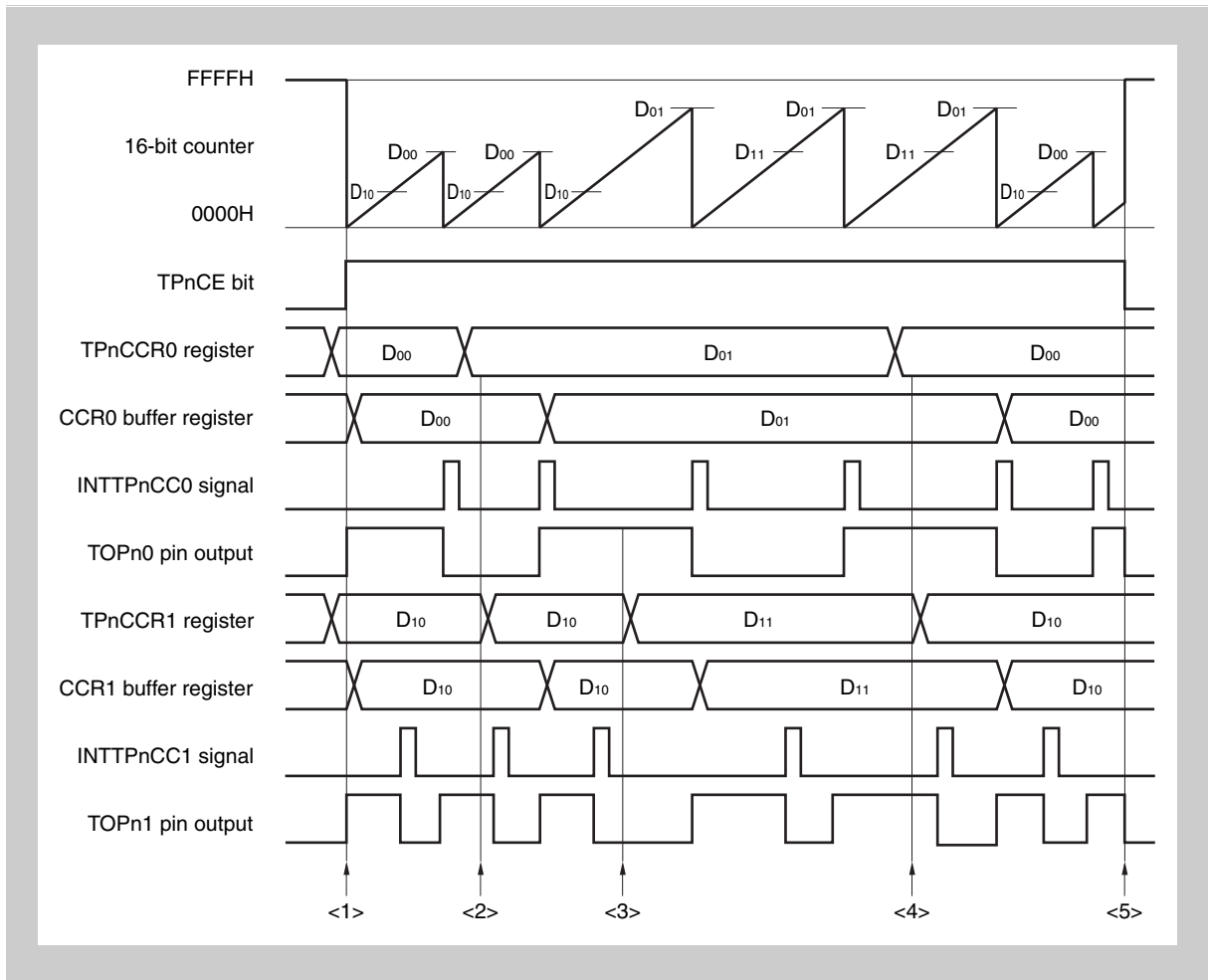


Figure 11-23 Software processing flow in PWM output mode (1/2)

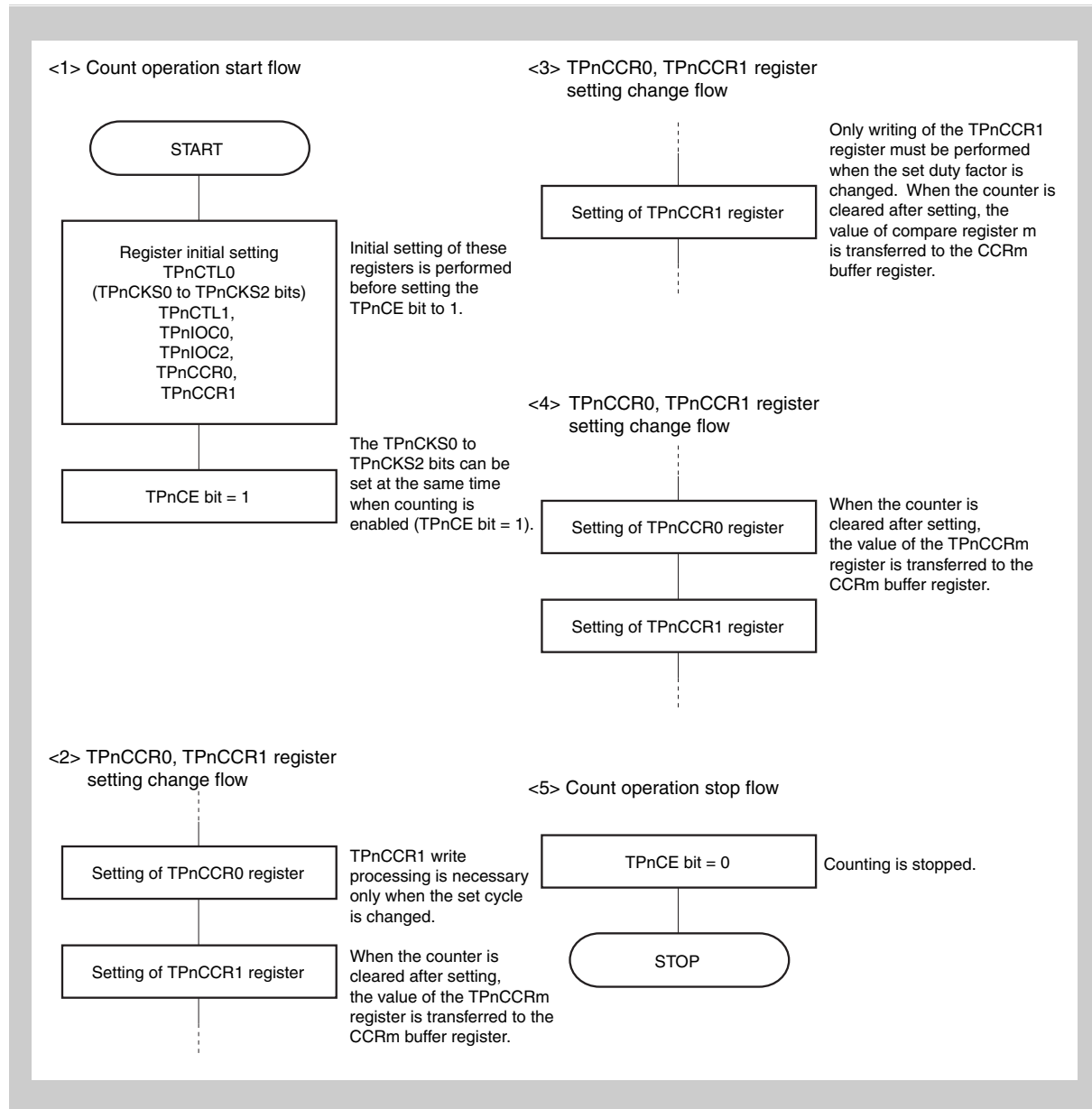
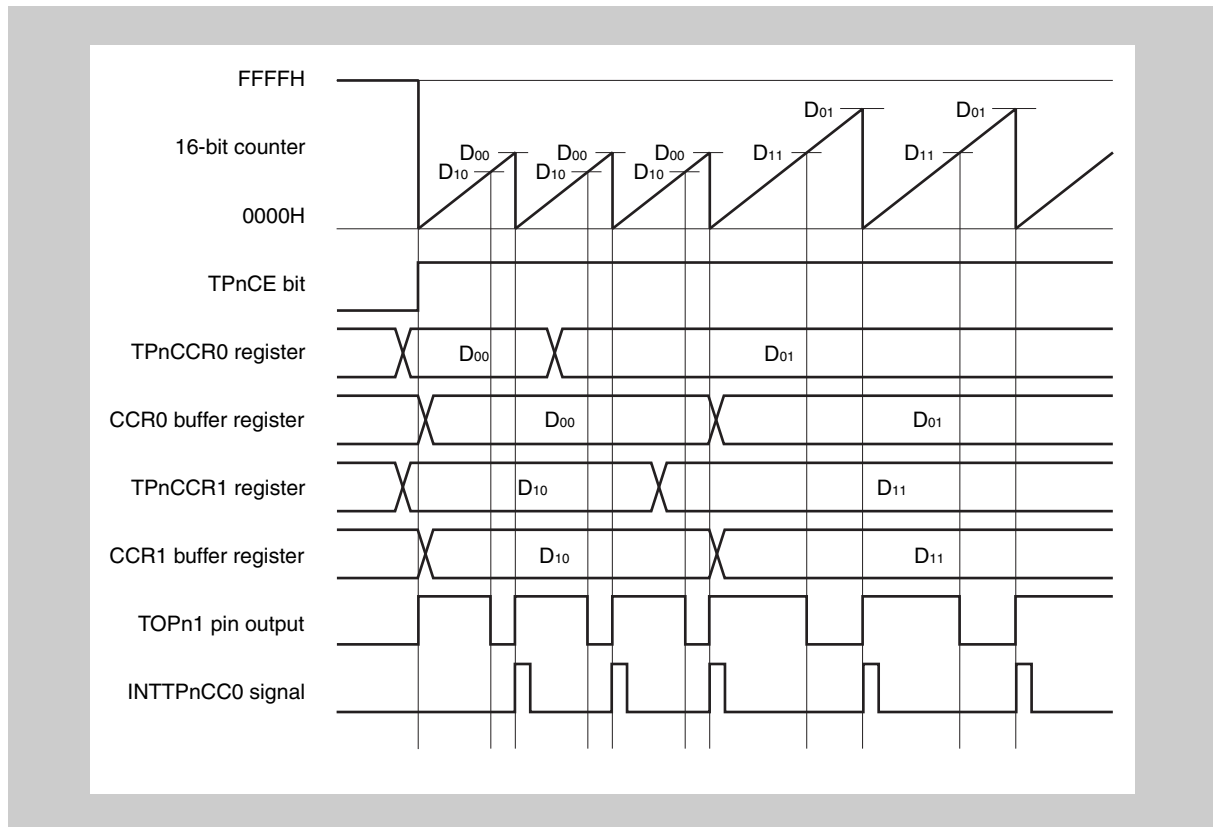


Figure 11-24 Software processing flow in PWM output mode (1/2)

**(3) PWM output mode operation timing****(a) Changing pulse width during operation**

To change the PWM waveform while the counter is operating, write the TPnCCR1 register last.

Rewrite the TPnCCRm register after writing the TPnCCR1 register after the INTTPnCC1 signal is detected.



To transfer data from the TPnCCRm register to the CCRm buffer register, the TPnCCR1 register must be written.

To change both the cycle and active level of the PWM waveform at this time, first set the cycle to the TPnCCR0 register and then set the active level to the TPnCCR1 register.

To change only the cycle of the PWM waveform, first set the cycle to the TPnCCR0 register, and then write the same value to the TPnCCR1 register.

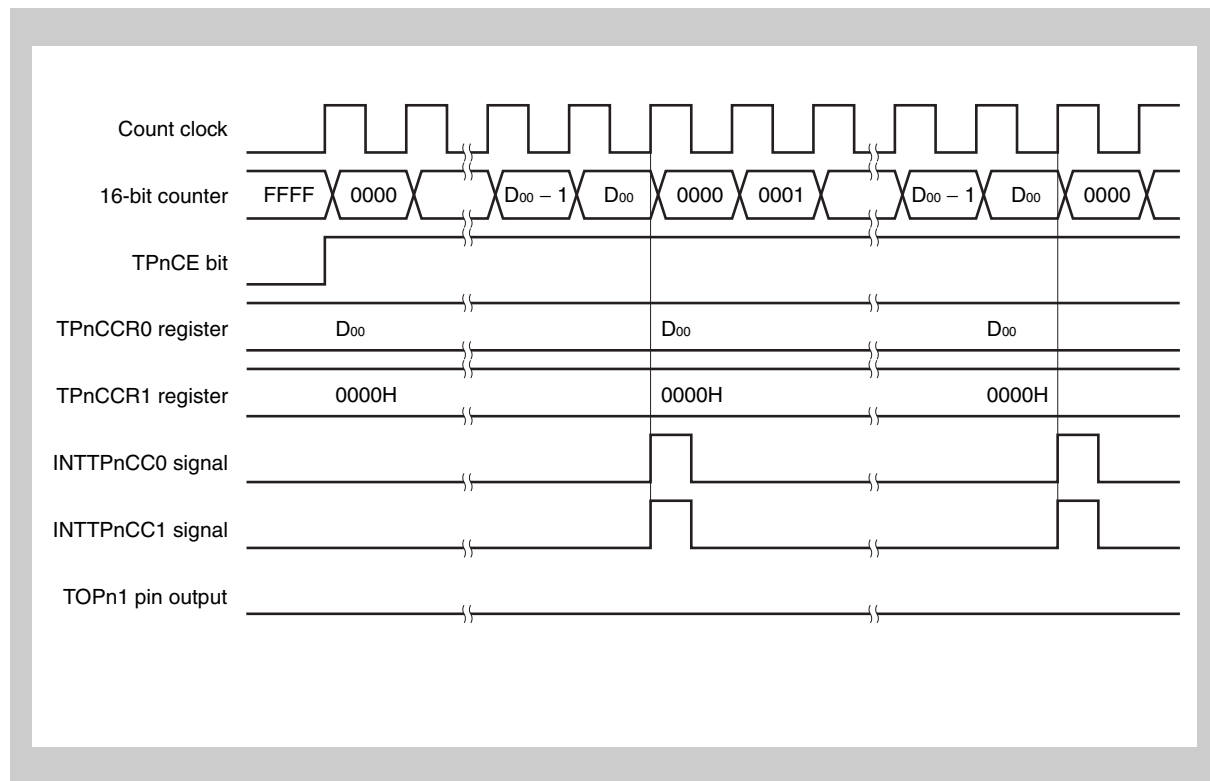
To change only the active level width (duty factor) of the PWM waveform, only the TPnCCR1 register has to be set.

After data is written to the TPnCCR1 register, the value written to the TPnCCRm register is transferred to the CCRm buffer register in synchronization with clearing of the 16-bit counter, and is used as the value compared with the 16-bit counter.

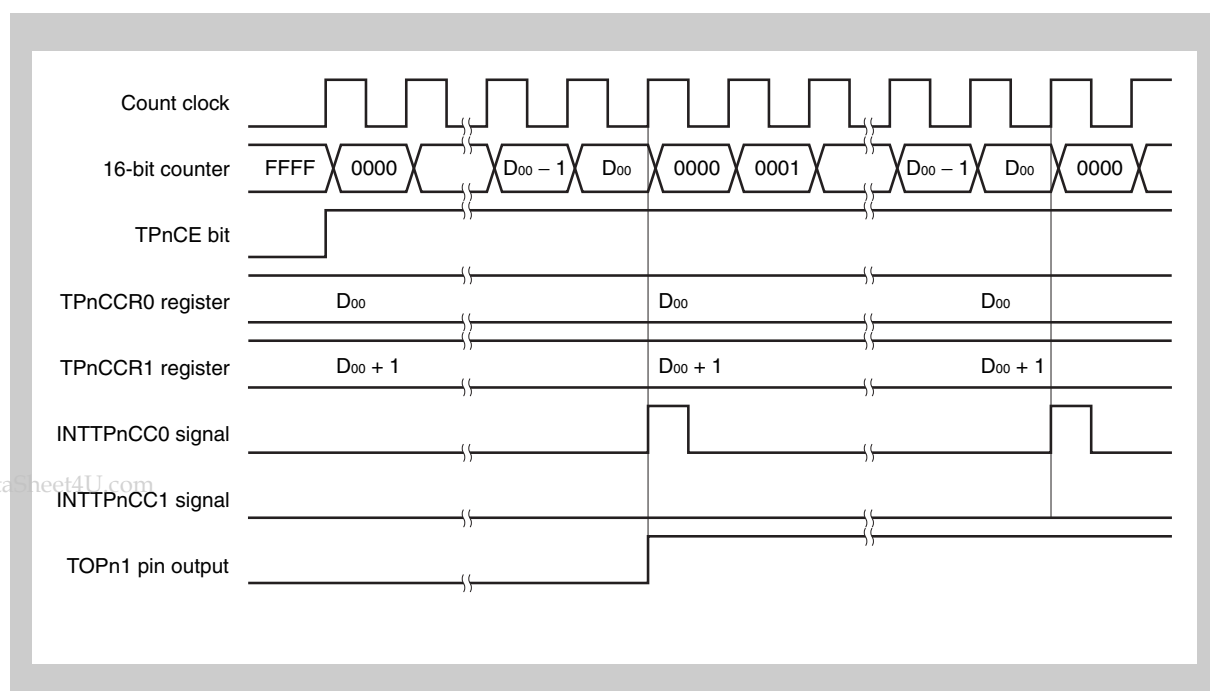
To write the TPnCCR0 or TPnCCR1 register again after writing the TPnCCR1 register once, do so after the INTTPnCC0 signal is generated. Otherwise, the value of the CCRm buffer register may become undefined because the timing of transferring data from the TPnCCRm register to the CCRm buffer register conflicts with writing the TPnCCRm register.

**(b) 0%/100% output of PWM waveform**

To output a 0% waveform, set the TPnCCR1 register to 0000H. If the set value of the TPnCCR0 register is FFFFH, the INTTPnCC1 signal is generated periodically.

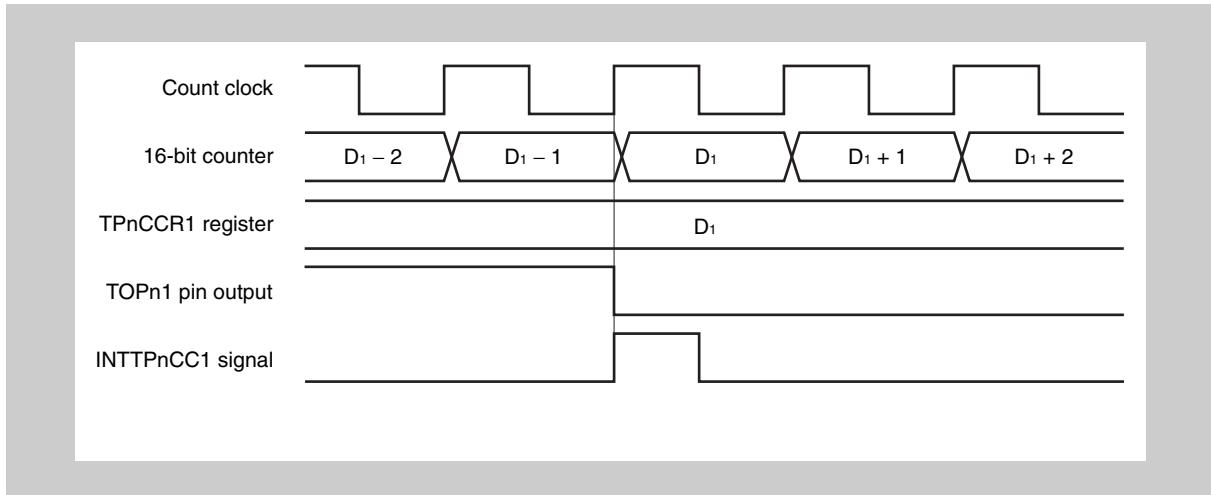


To output a 100% waveform, set a value of (set value of TPnCCR0 register + 1) to the TPnCCR1 register. If the set value of the TPnCCR0 register is FFFFH, 100% output cannot be produced.



**(c) Generation timing of compare match interrupt request signal (INTTPnCC1)**

The timing of generation of the INTTPnCC1 signal in the PWM output mode differs from the timing of other INTTPnCC1 signals; the INTTPnCC1 signal is generated when the count value of the 16-bit counter matches the value of the TPnCCR1 register.



Usually, the INTTPnCC1 signal is generated in synchronization with the next counting up after the count value of the 16-bit counter matches the value of the TPnCCR1 register.

In the PWM output mode, however, it is generated one clock earlier. This is because the timing is changed to match the change timing of the output signal of the TOPn1 pin.

11.5.6 Free-running timer mode (TPnMD2 to TPnMD0 = 101)

In the free-running timer mode, 16-bit timer/event counter P starts counting when the TPnCTL0.TPnCE bit is set to 1. At this time, the TPnCCRm register can be used as a compare register or a capture register, depending on the setting of the TPnOPT0.TPnCCS0 and TPnOPT0.TPnCCS1 bits.

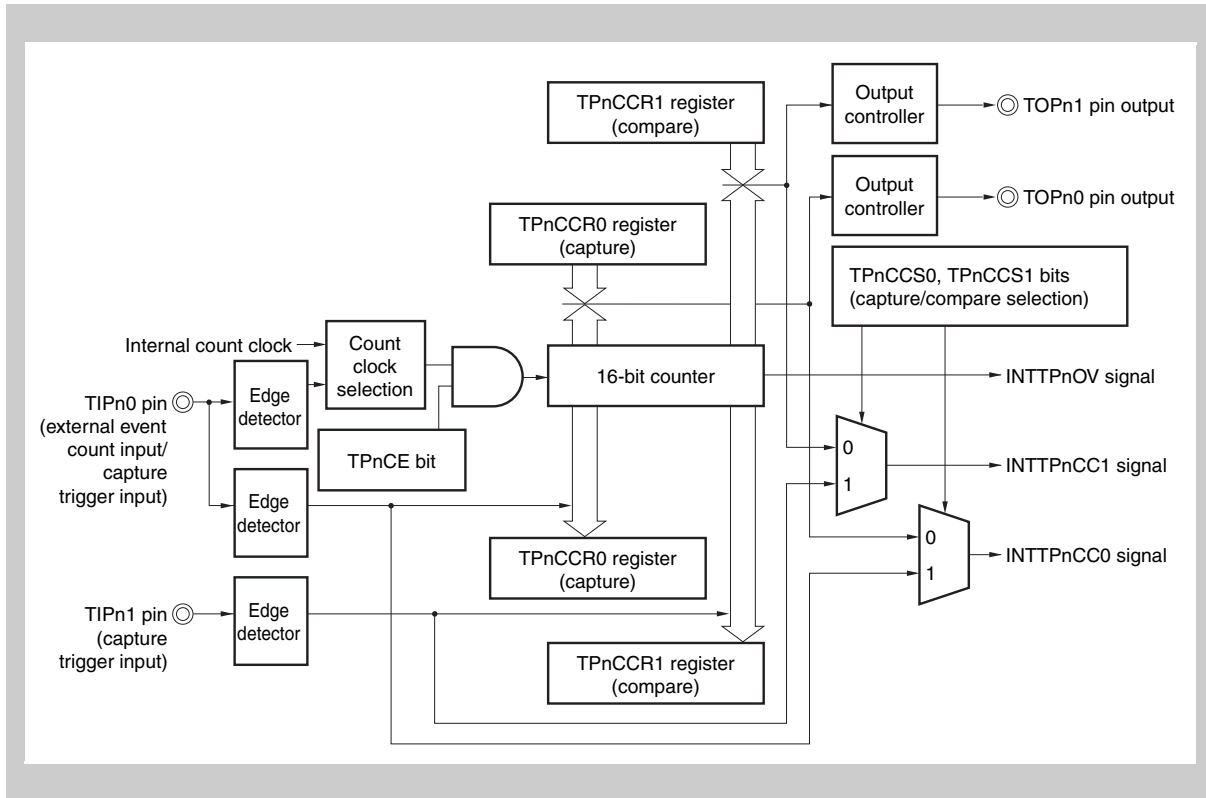


Figure 11-25 Configuration in free-running timer mode

When the TPnCE bit is set to 1, 16-bit timer/event counter P starts counting, and the output signals of the TOPn0 and TOPn1 pins are inverted. When the count value of the 16-bit counter later matches the set value of the TPnCCRm register, a compare match interrupt request signal (INTTPnCCm) is generated, and the output signal of the TOPnm pin is inverted.

The 16-bit counter continues counting in synchronization with the count clock. When it counts up to FFFFH, it generates an overflow interrupt request signal (INTTPnOV) at the next clock, is cleared to 0000H, and continues counting. At this time, the overflow flag (TPnOPT0.TPnOVF bit) is also set to 1. Clear the overflow flag to 0 by executing the CLR instruction by software.

The TPnCCRm register can be rewritten while the counter is operating. If it is rewritten, the new value is reflected at that time, and compared with the count value.

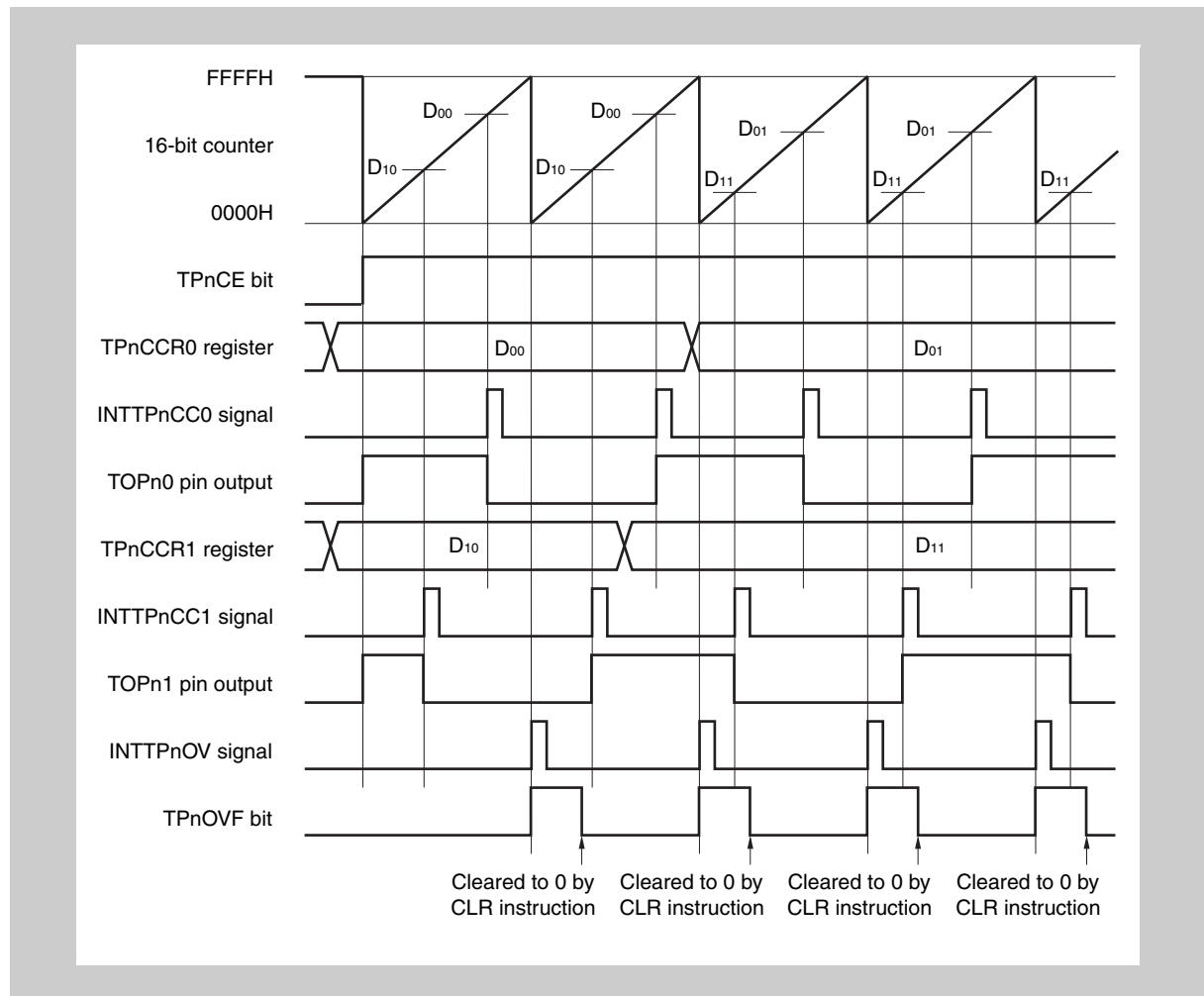


Figure 11-26 Basic timing in free-running timer mode (compare function)



When the TPnCE bit is set to 1, the 16-bit counter starts counting. When the valid edge input to the TIPnm pin is detected, the count value of the 16-bit counter is stored in the TPnCCRm register, and a capture interrupt request signal (INTTPnCCm) is generated.

The 16-bit counter continues counting in synchronization with the count clock. When it counts up to FFFFH, it generates an overflow interrupt request signal (INTTPnOV) at the next clock, is cleared to 0000H, and continues counting. At this time, the overflow flag (TPnOPT0.TPnOVF bit) is also set to 1. Clear the overflow flag to 0 by executing the CLR instruction by software.

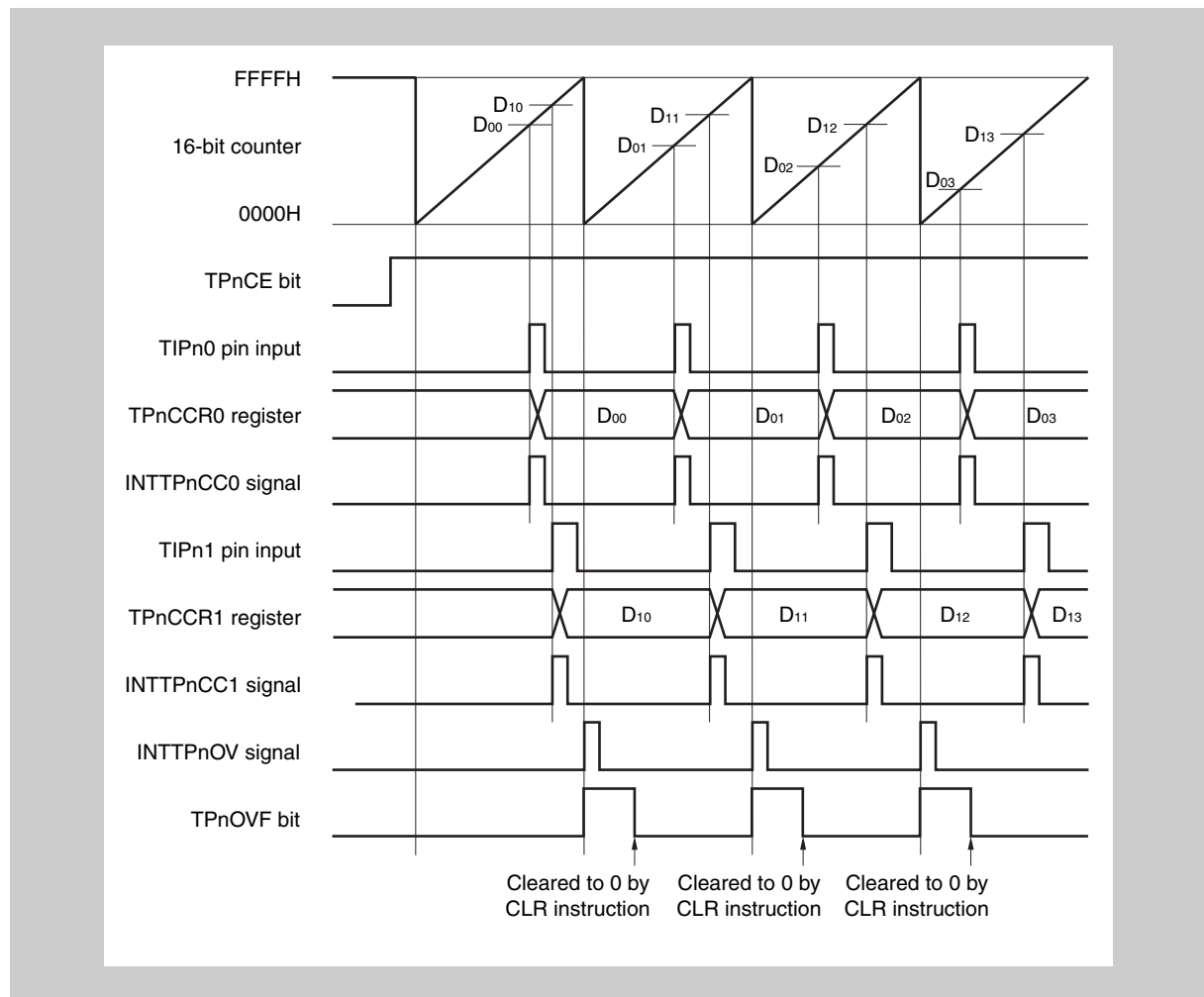
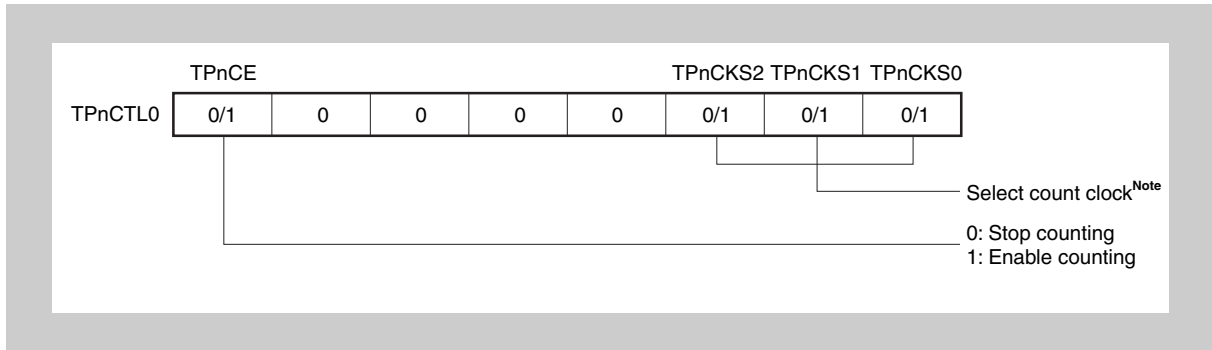


Figure 11-27 Basic timing in free-running timer mode (capture function)

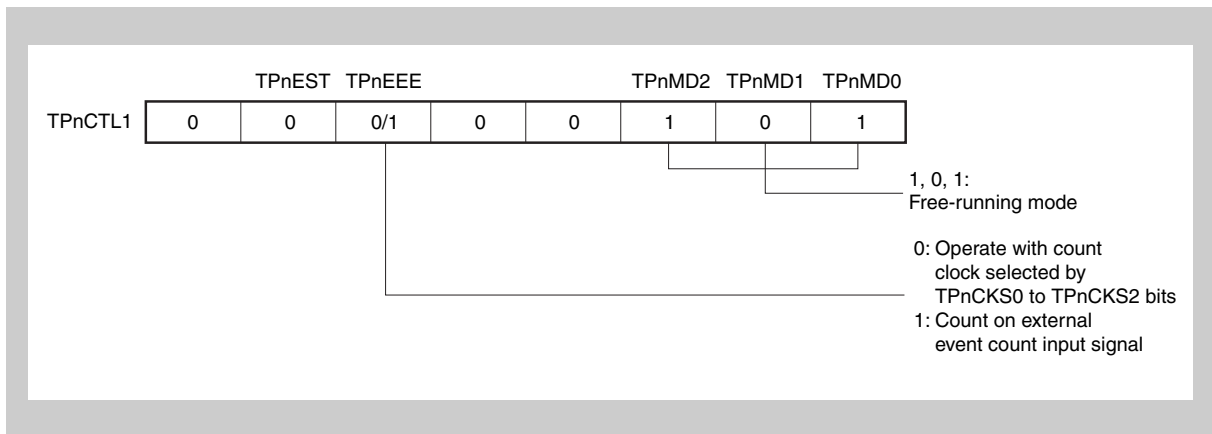
(1) Register setting in free-running timer mode

(a) TMPn control register 0 (TPnCTL0)

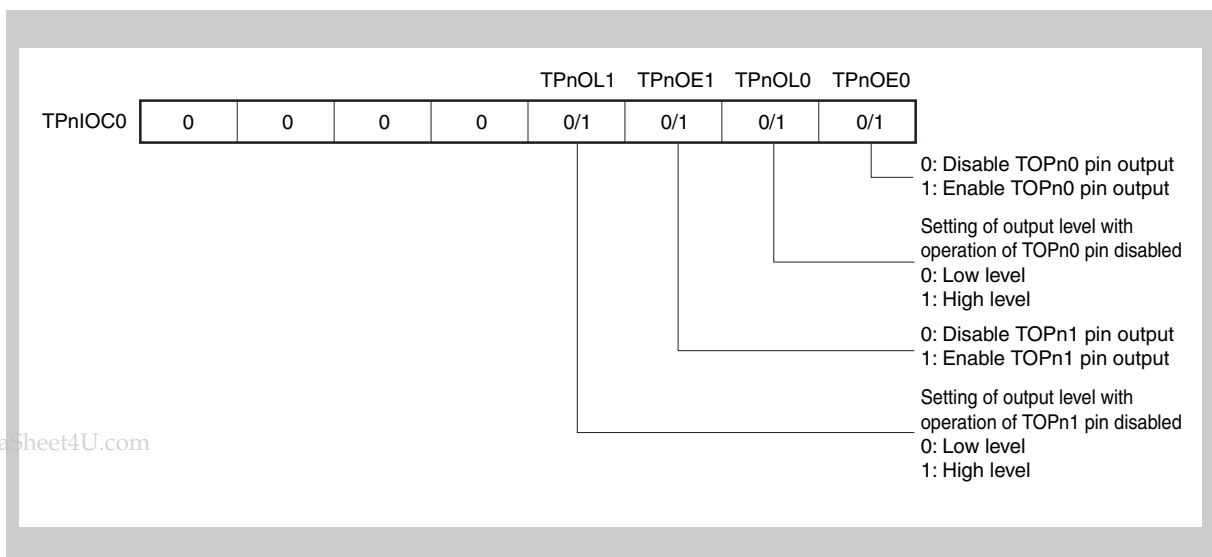


**Note** The setting is invalid when the TPnCTL1.TPnEEE bit = 1

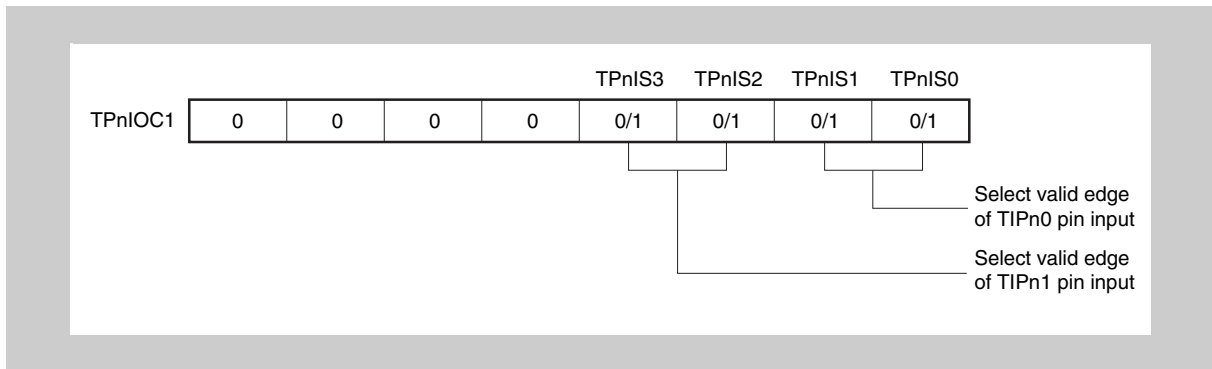
(b) TMPn control register 1 (TPnCTL1)



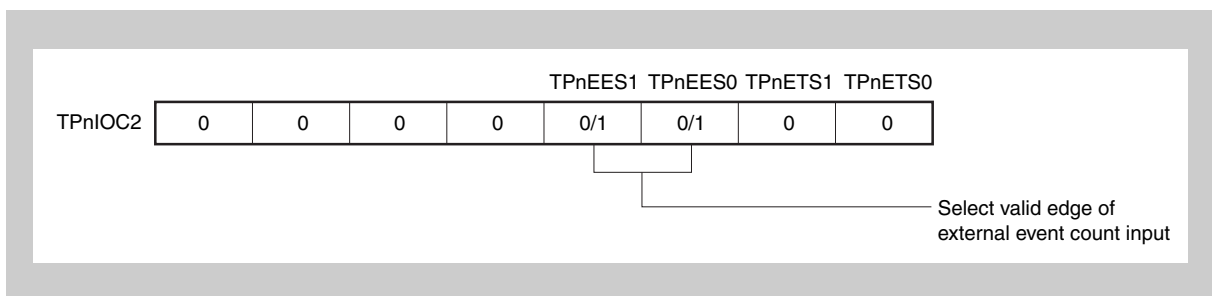
(c) TMPn I/O control register 0 (TPnIOC0)



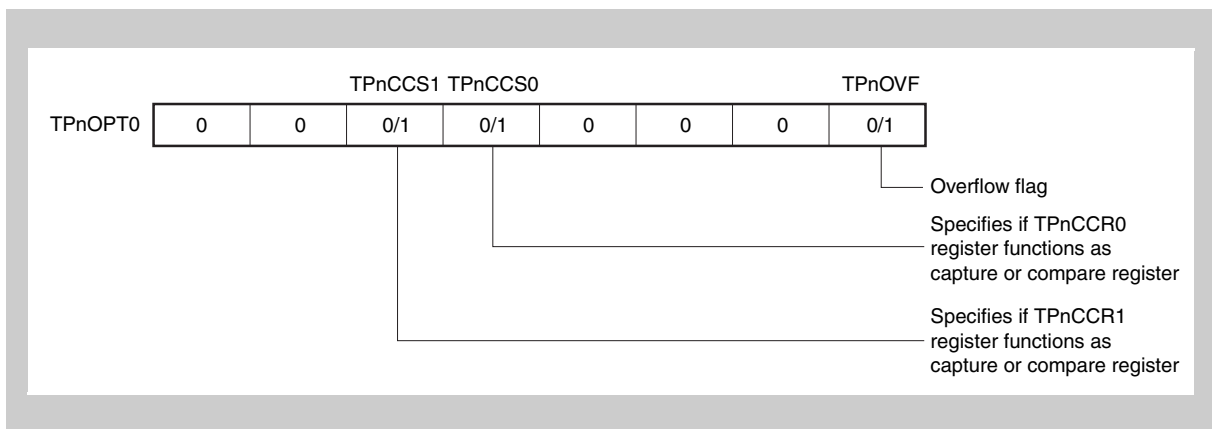
**(d) TMPn I/O control register 1 (TPnIOC1)**



**(e) TMPn I/O control register 2 (TPnIOC2)**



**(f) TMPn option register 0 (TPnOPT0)**



**(g) TMPn counter read buffer register (TPnCNT)**

The value of the 16-bit counter can be read by reading the TPnCNT register.

**(h) TMPn capture/compare registers 0 and 1 (TPnCCR0 and TPnCCR1)**

These registers function as capture registers or compare registers depending on the setting of the TPnOPT0.TPnCCSm bit.

When the registers function as capture registers, they store the count value of the 16-bit counter when the valid edge input to the TIPnm pin is detected.

When the registers function as compare registers and when D<sub>m</sub> is set to the TPnCCRm register, the INTTPnCCm signal is generated when the counter reaches (D<sub>m</sub> + 1), and the output signal of the TOPnm pin is inverted.

(2) Operation flow in free-running timer mode

(a) When using capture/compare register as compare register

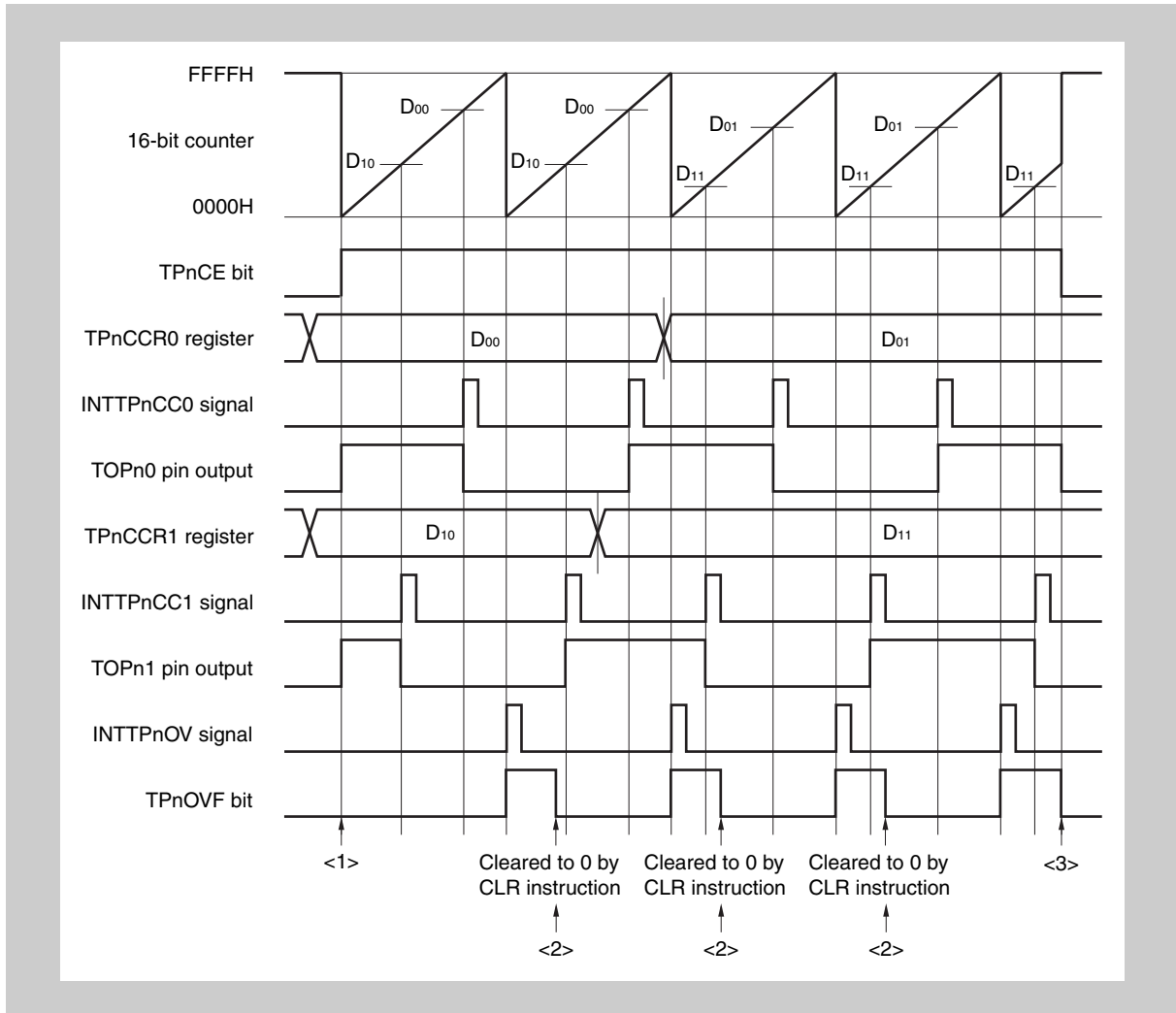
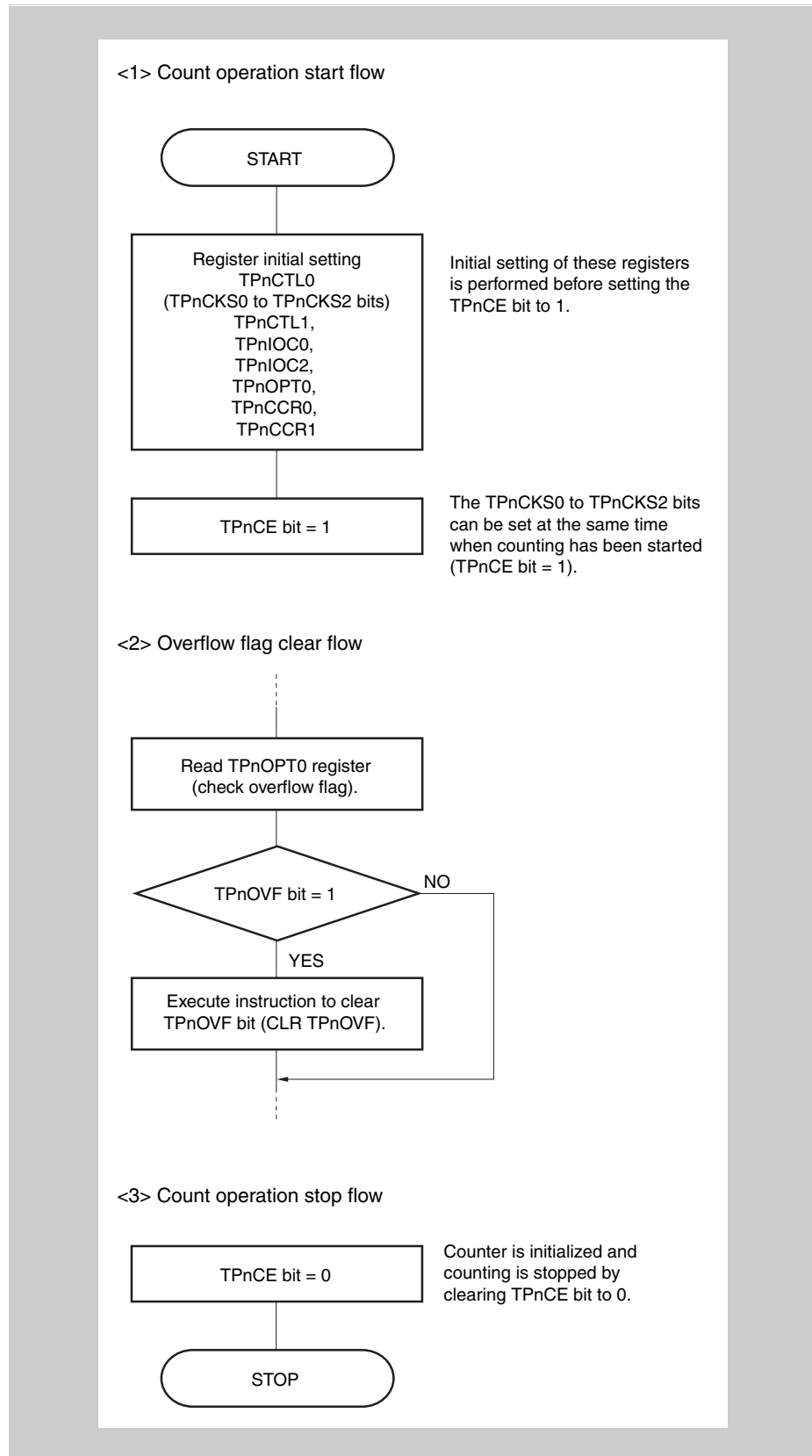


Figure 11-28 Software processing flow in free-running timer mode (compare function) (1/2)



www.DataSheet4U.com

**Figure 11-29 Software processing flow in free-running timer mode (compare function) (2/2)**

(b) When using capture/compare register as capture register

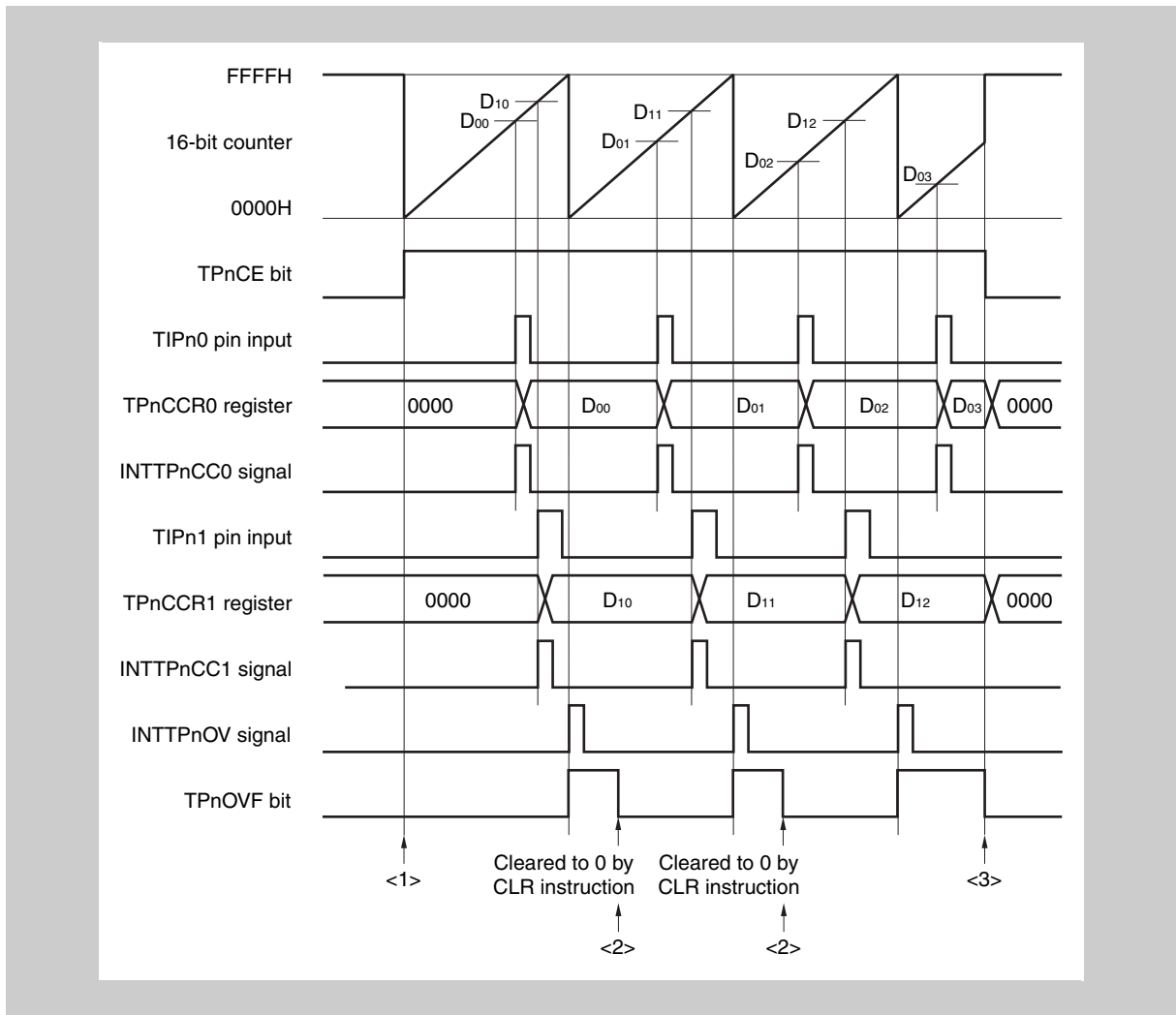
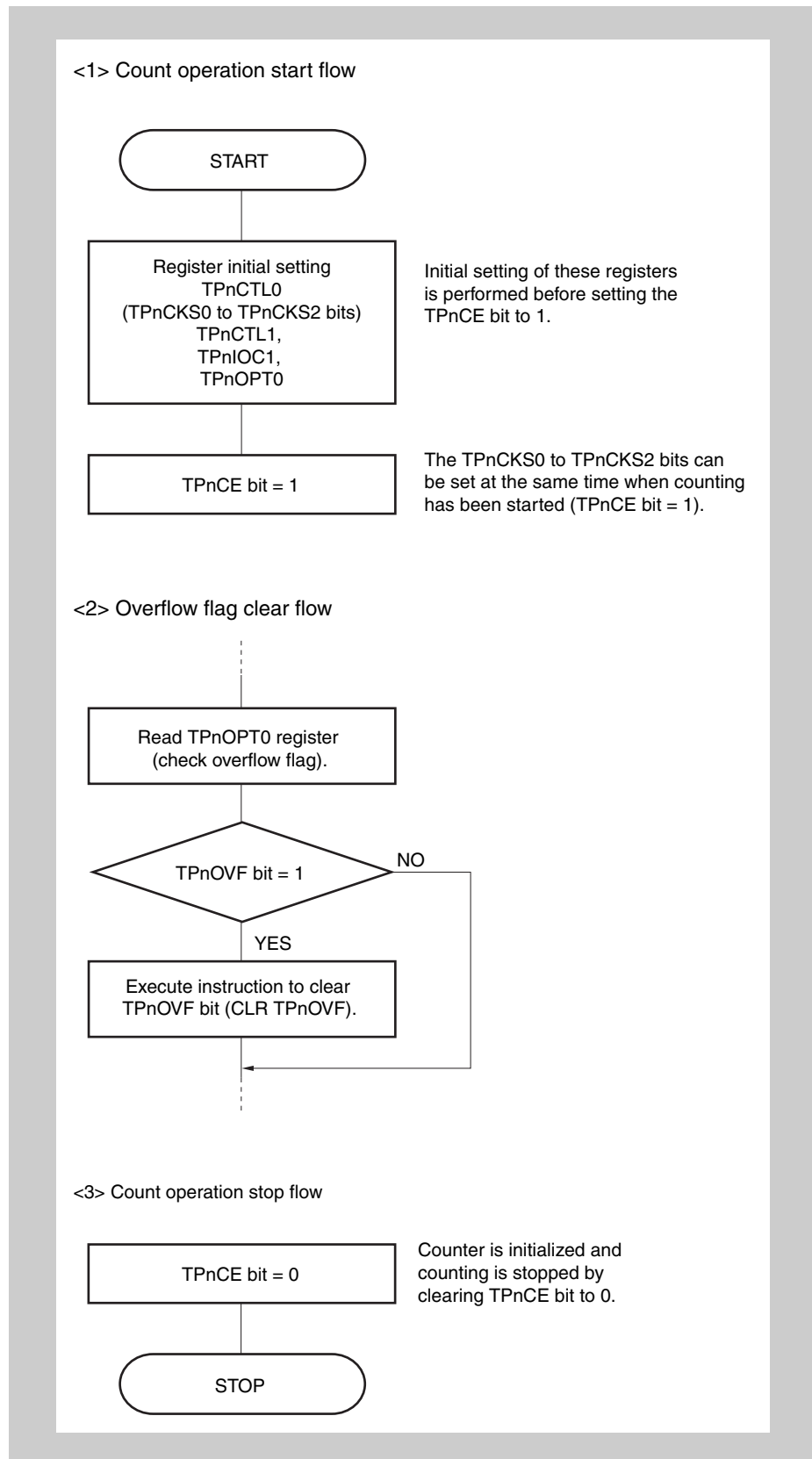


Figure 11-30 Software processing flow in free-running timer mode (capture function) (1/2)

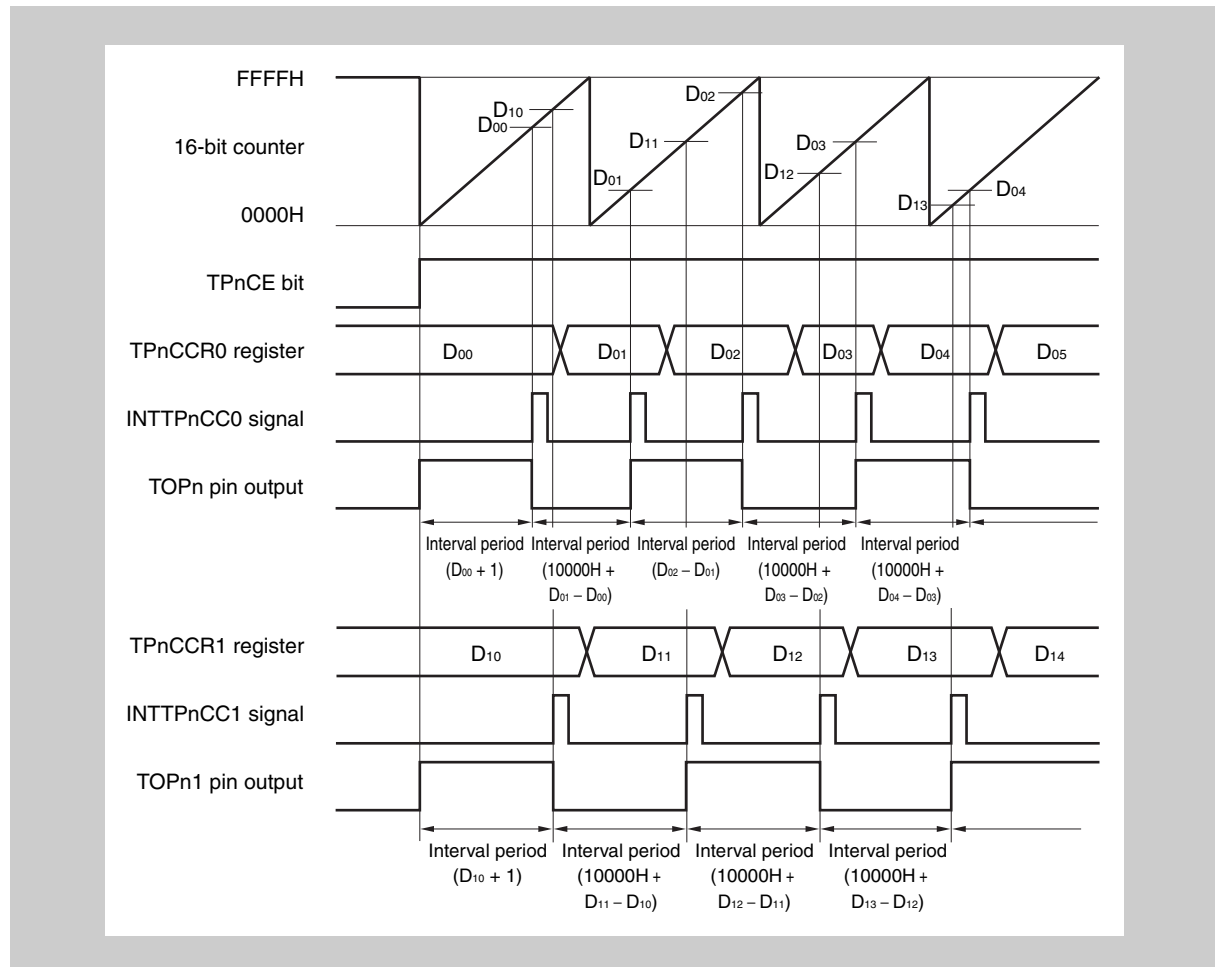


www.DataSheet4U.com

Figure 11-31 Software processing flow in free-running timer mode (capture function) (2/2)

**(3) Operation timing in free-running timer mode****(a) Interval operation with compare register**

When 16-bit timer/event counter P is used as an interval timer with the TPnCCRm register used as a compare register, software processing is necessary for setting a comparison value to generate the next interrupt request signal each time the INTTPnCCm signal has been detected.



When performing an interval operation in the free-running timer mode, two intervals can be set with one channel.

To perform the interval operation, the value of the corresponding TPnCCRm register must be re-set in the interrupt servicing that is executed when the INTTPnCCm signal is detected.

The set value for re-setting the TPnCCRm register can be calculated by the following expression, where “D<sub>m</sub>” is the interval period.

Compare register default value:  $D_m - 1$

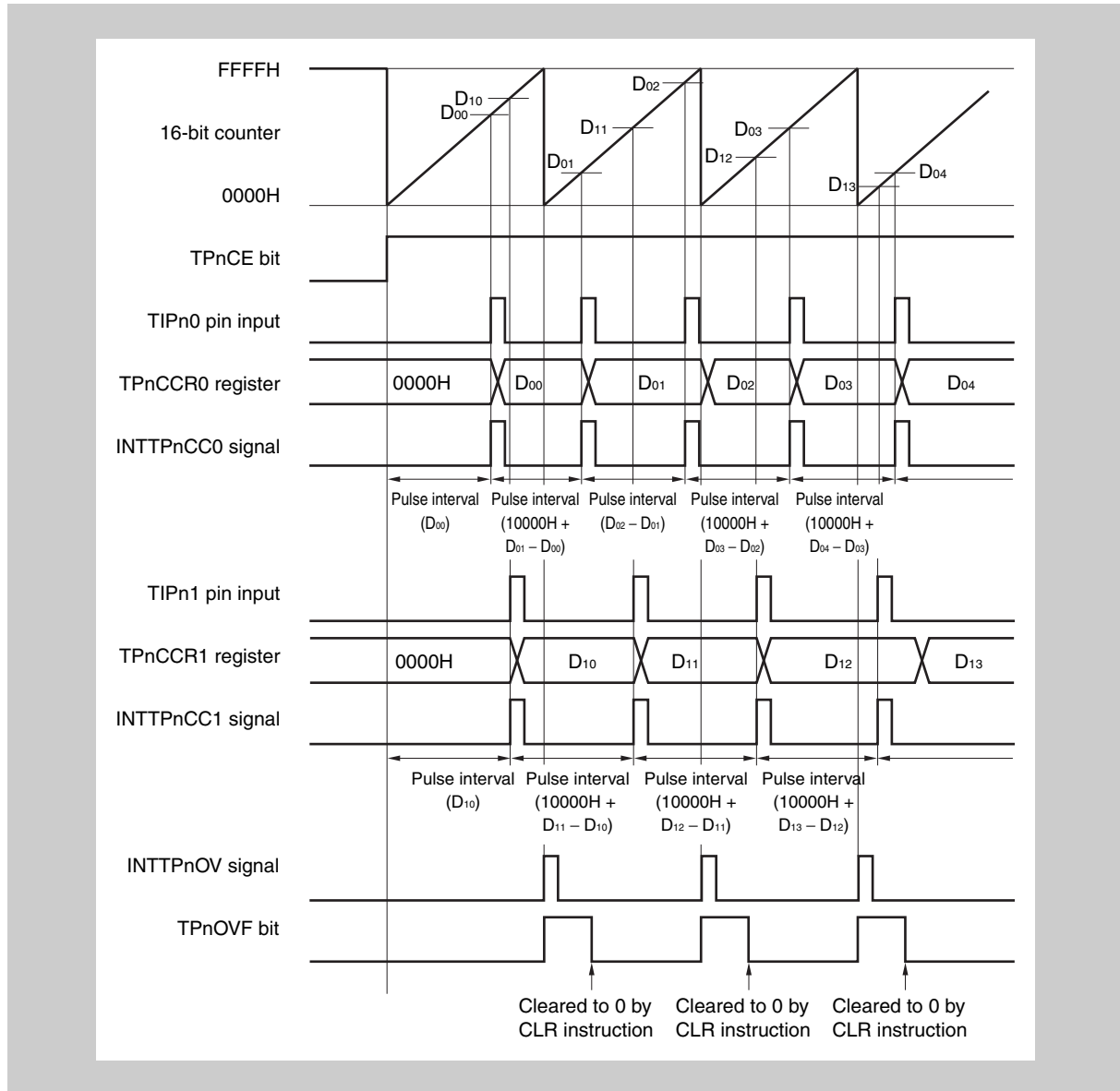
Value set to compare register second and subsequent time:  
Previous set value +  $D_m$

(If the calculation result is greater than FFFFH, subtract 10000H from the result and set this value to the register.)



**(b) Pulse width measurement with capture register**

When pulse width measurement is performed with the TPnCCRm register used as a capture register, software processing is necessary for reading the capture register each time the INTTPnCCm signal has been detected and for calculating an interval.

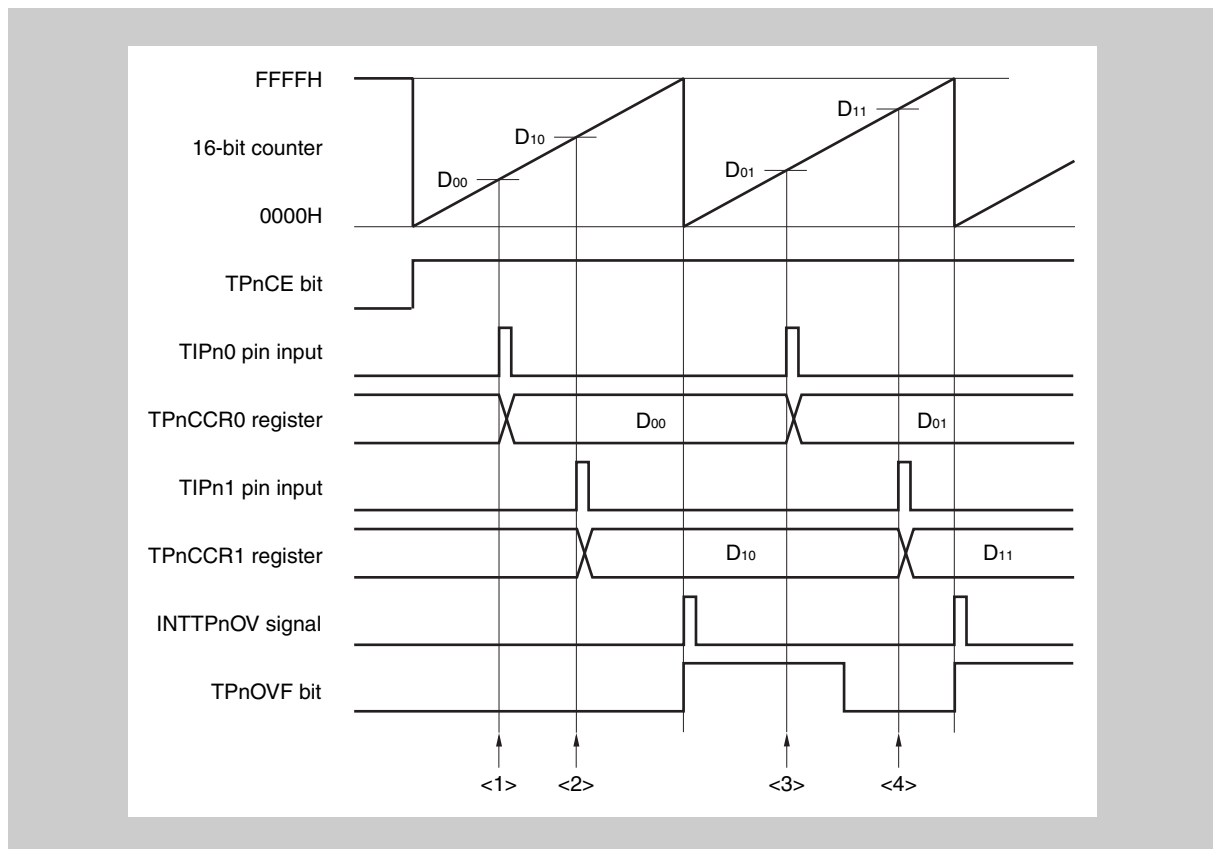


When executing pulse width measurement in the free-running timer mode, two pulse widths can be measured with one channel.

To measure a pulse width, the pulse width can be calculated by reading the value of the TPnCCRm register in synchronization with the INTTPnCCm signal, and calculating the difference between the read value and the previously read value.

**(c) Processing of overflow when two capture registers are used**

Care must be exercised in processing the overflow flag when two capture registers are used. First, an example of incorrect processing is shown below.



**Figure 11-32 Example of incorrect processing when two capture registers are used**

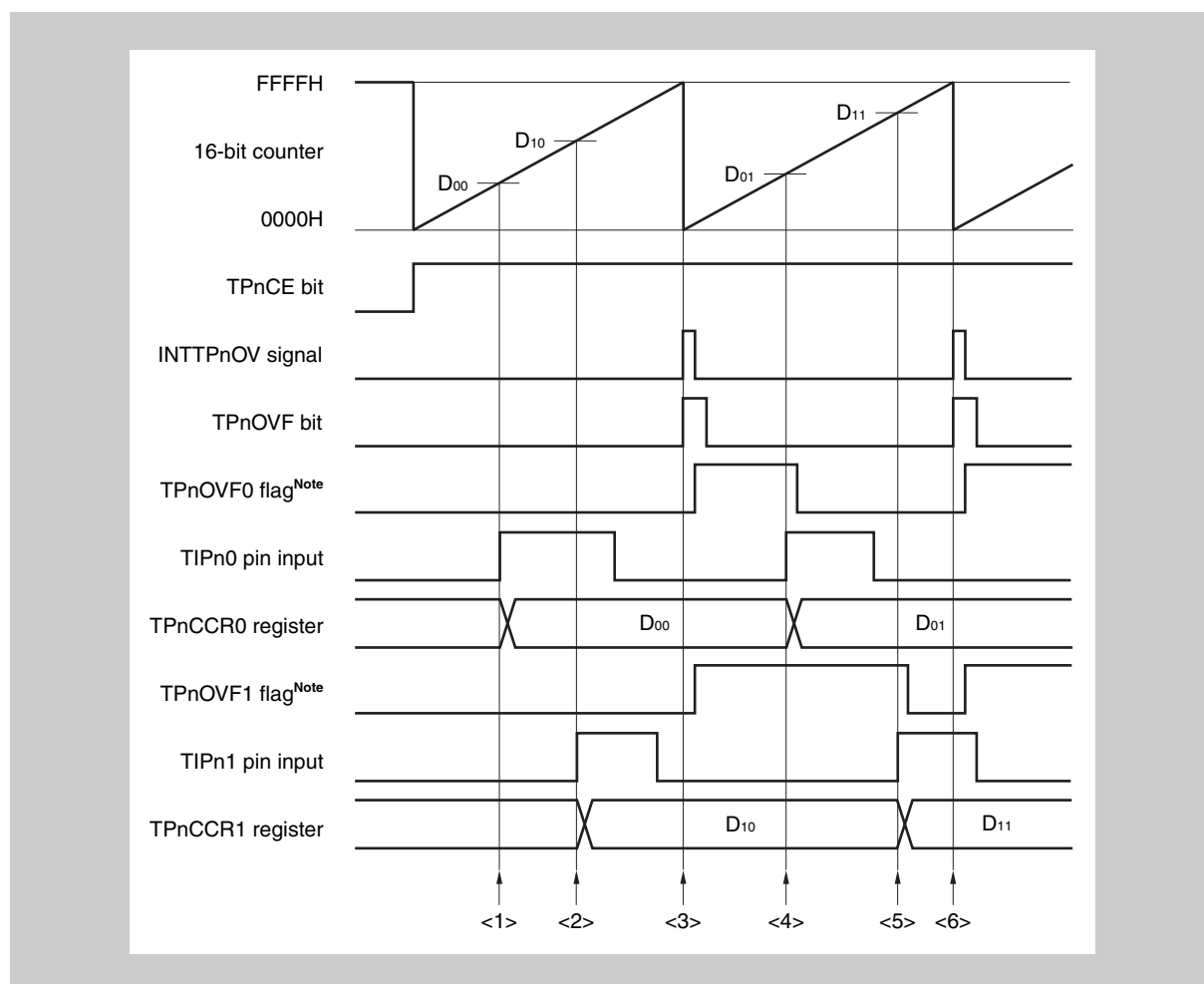
The following problem may occur when two pulse widths are measured in the free-running timer mode.

- <1> Read the TPnCCR0 register (setting of the default value of the TIPn0 pin input).
- <2> Read the TPnCCR1 register (setting of the default value of the TIPn1 pin input).
- <3> Read the TPnCCR0 register.  
Read the overflow flag. If the overflow flag is 1, clear it to 0.  
Because the overflow flag is 1, the pulse width can be calculated by  $(10000H + D_{01} - D_{00})$ .
- <4> Read the TPnCCR1 register.  
Read the overflow flag. Because the flag is cleared in <3>, 0 is read.  
Because the overflow flag is 0, the pulse width can be calculated by  $(D_{11} - D_{10})$  (incorrect).

www.DataSheet4U.com

When two capture registers are used, and if the overflow flag is cleared to 0 by one capture register, the other capture register may not obtain the correct pulse width.

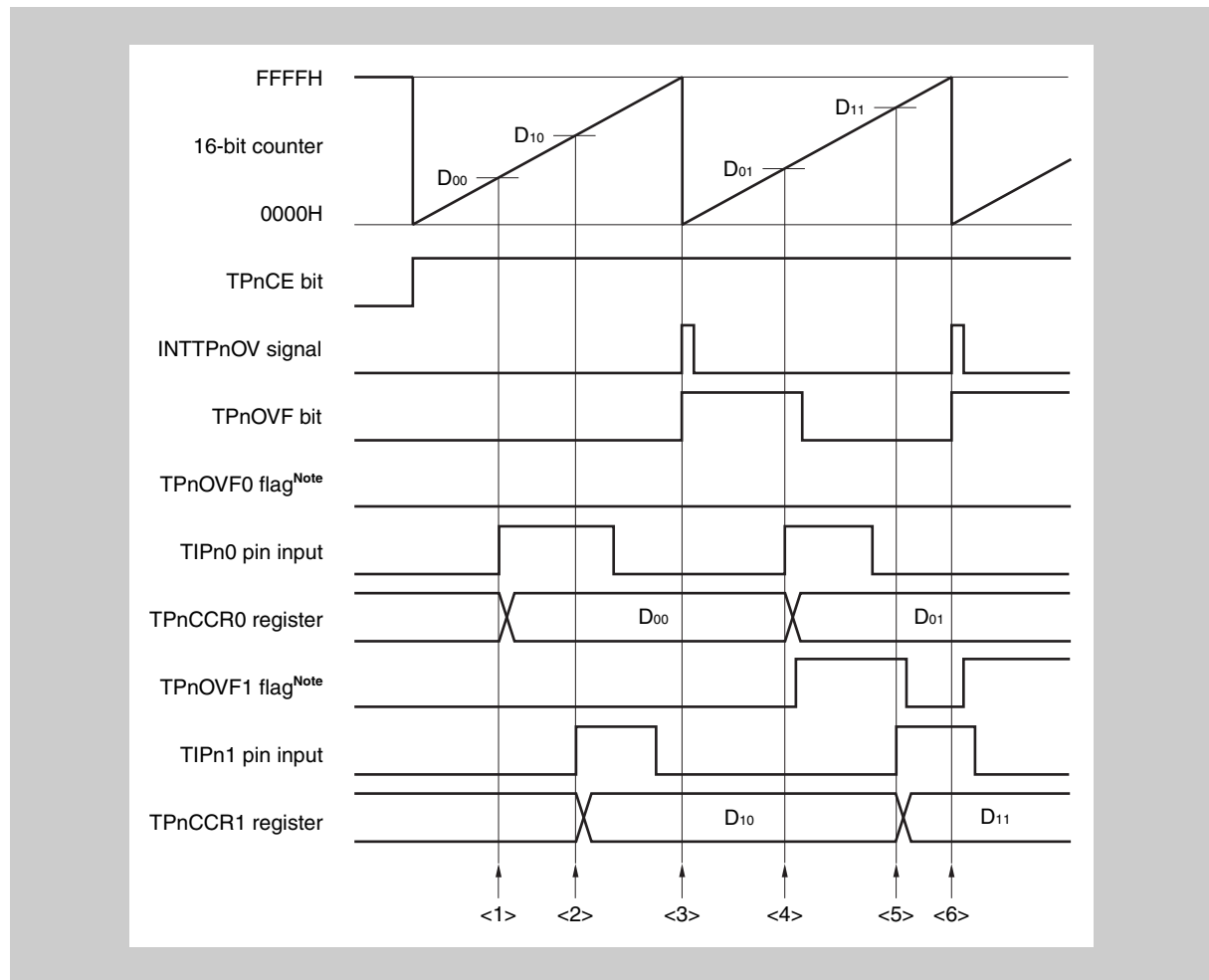
Use software when using two capture registers. An example of how to use software is shown below.



**Figure 11-33** Example when two capture registers are used (using overflow interrupt)

**Note** The TPnOVF0 and TPnOVF1 flags are set on the internal RAM by software.

- <1> Read the TPnCCR0 register (setting of the default value of the TIPn0 pin input).
- <2> Read the TPnCCR1 register (setting of the default value of the TIPn1 pin input).
- <3> An overflow occurs. Set the TPnOVF0 and TPnOVF1 flags to 1 in the overflow interrupt servicing, and clear the overflow flag to 0.
- <4> Read the TPnCCR0 register.  
Read the TPnOVF0 flag. If the TPnOVF0 flag is 1, clear it to 0.  
Because the TPnOVF0 flag is 1, the pulse width can be calculated by  $(10000H + D_{01} - D_{00})$ .
- <5> Read the TPnCCR1 register.  
Read the TPnOVF1 flag. If the TPnOVF1 flag is 1, clear it to 0 (the TPnOVF0 flag is cleared in <4>, and the TPnOVF1 flag remains 1).  
Because the TPnOVF1 flag is 1, the pulse width can be calculated by  $(10000H + D_{11} - D_{10})$  (correct).
- <6> Same as <3>



**Figure 11-34** Example when two capture registers are used (without using overflow interrupt)

**Note** The TPnOVF0 and TPnOVF1 flags are set on the internal RAM by software.

<1> Read the TPnCCR0 register (setting of the default value of the TIPn0 pin input).

<2> Read the TPnCCR1 register (setting of the default value of the TIPn1 pin input).

<3> An overflow occurs. Nothing is done by software.

<4> Read the TPnCCR0 register.

Read the overflow flag. If the overflow flag is 1, set only the TPnOVF1 flag to 1, and clear the overflow flag to 0.

Because the overflow flag is 1, the pulse width can be calculated by  $(10000H + D_{01} - D_{00})$ .

<5> Read the TPnCCR1 register.

Read the overflow flag. Because the overflow flag is cleared in <4>, 0 is read.

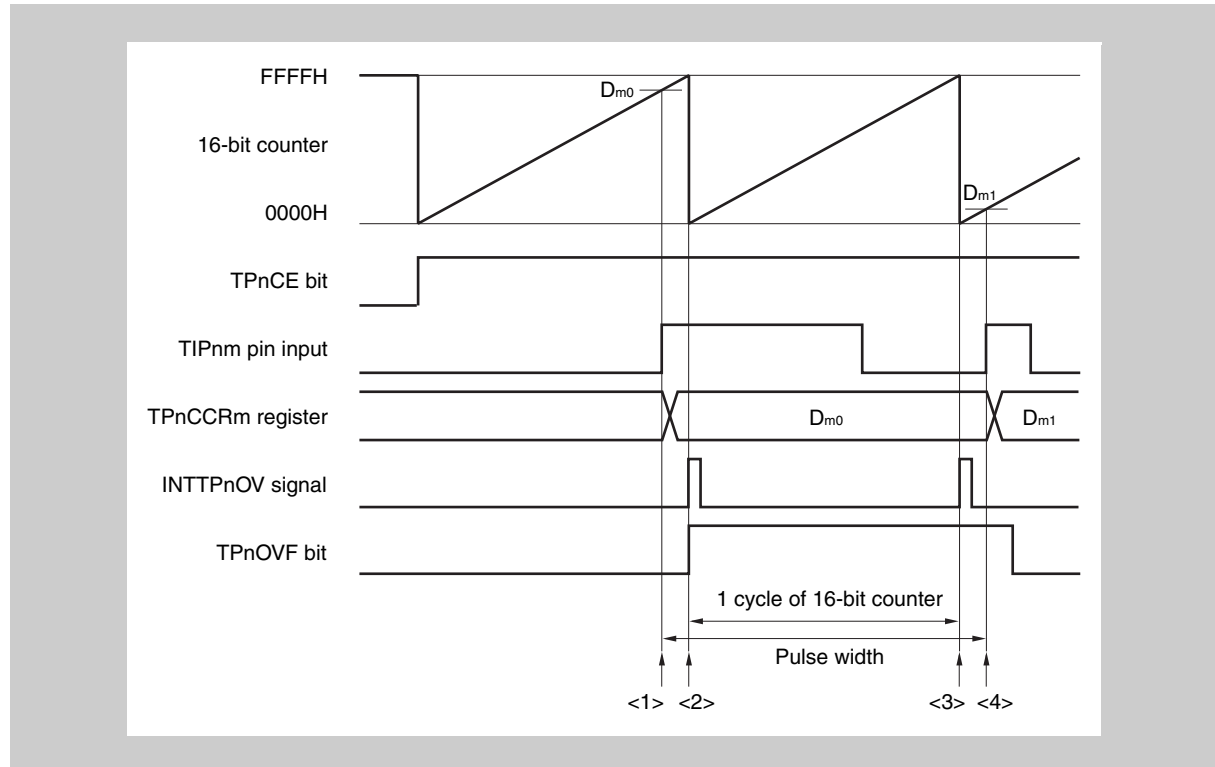
Read the TPnOVF1 flag. If the TPnOVF1 flag is 1, clear it to 0.

Because the TPnOVF1 flag is 1, the pulse width can be calculated by  $(10000H + D_{11} - D_{10})$  (correct).

<6> Same as <3>

**(d) Processing of overflow if capture trigger interval is long**

If the pulse width is greater than one cycle of the 16-bit counter, care must be exercised because an overflow may occur more than once from the first capture trigger to the next. First, an example of incorrect processing is shown below.



**Figure 11-35 Example of incorrect processing when capture trigger interval is long**

The following problem may occur when long pulse width is measured in the free-running timer mode.

- <1> Read the TPnCCRm register (setting of the default value of the TIPnm pin input).
- <2> An overflow occurs. Nothing is done by software.
- <3> An overflow occurs a second time. Nothing is done by software.
- <4> Read the TPnCCRm register.

Read the overflow flag. If the overflow flag is 1, clear it to 0.

Because the overflow flag is 1, the pulse width can be calculated by  $(10000H + D_{m1} - D_{m0})$  (incorrect).

Actually, the pulse width must be  $(20000H + D_{m1} - D_{m0})$  because an overflow occurs twice.

If an overflow occurs twice or more when the capture trigger interval is long, the correct pulse width may not be obtained.

If the capture trigger interval is long, slow the count clock to lengthen one cycle of the 16-bit counter, or use software. An example of how to use software is shown next.

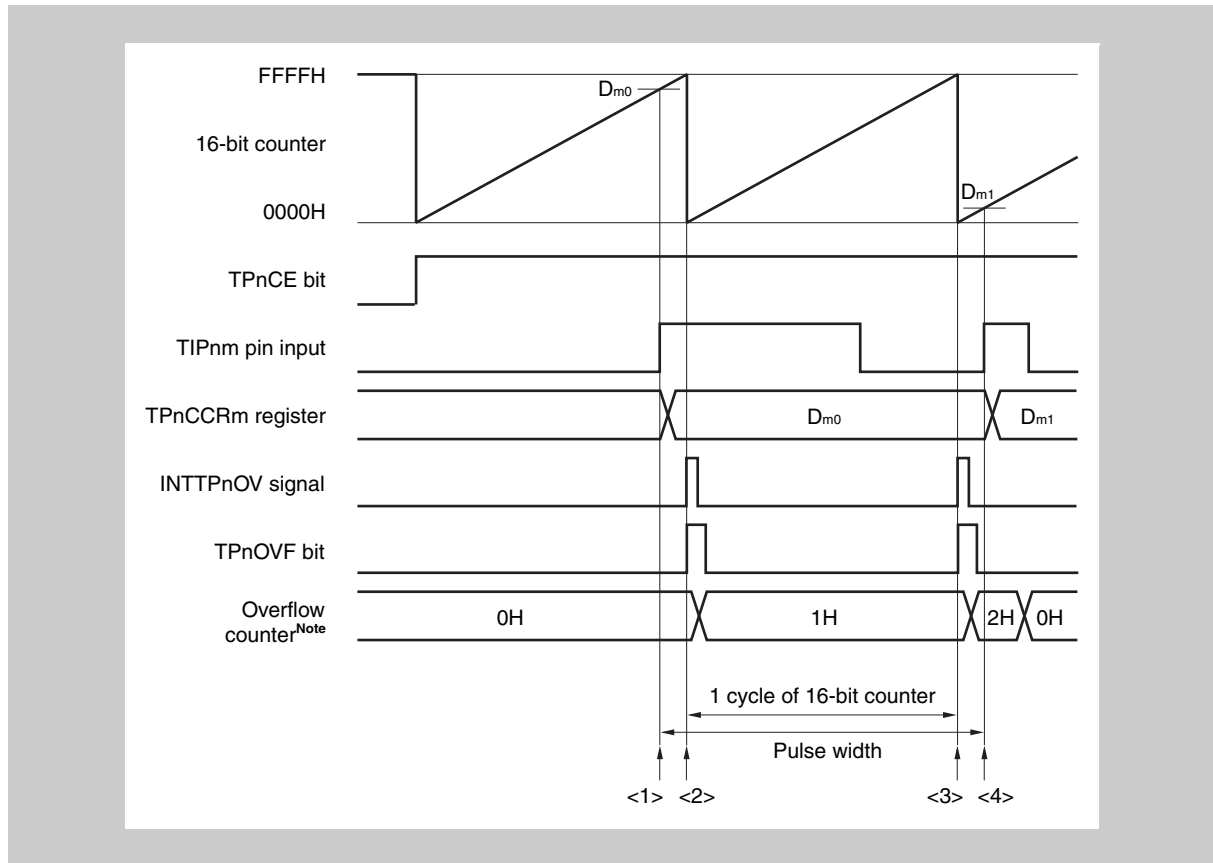


Figure 11-36 Example when capture trigger interval is long

**Note** The overflow counter is set arbitrarily by software on the internal RAM.

- <1> Read the TPnCCRm register (setting of the default value of the TIPnm pin input).
- <2> An overflow occurs. Increment the overflow counter and clear the overflow flag to 0 in the overflow interrupt servicing.
- <3> An overflow occurs a second time. Increment (+1) the overflow counter and clear the overflow flag to 0 in the overflow interrupt servicing.
- <4> Read the TPnCCRm register.

Read the overflow counter.

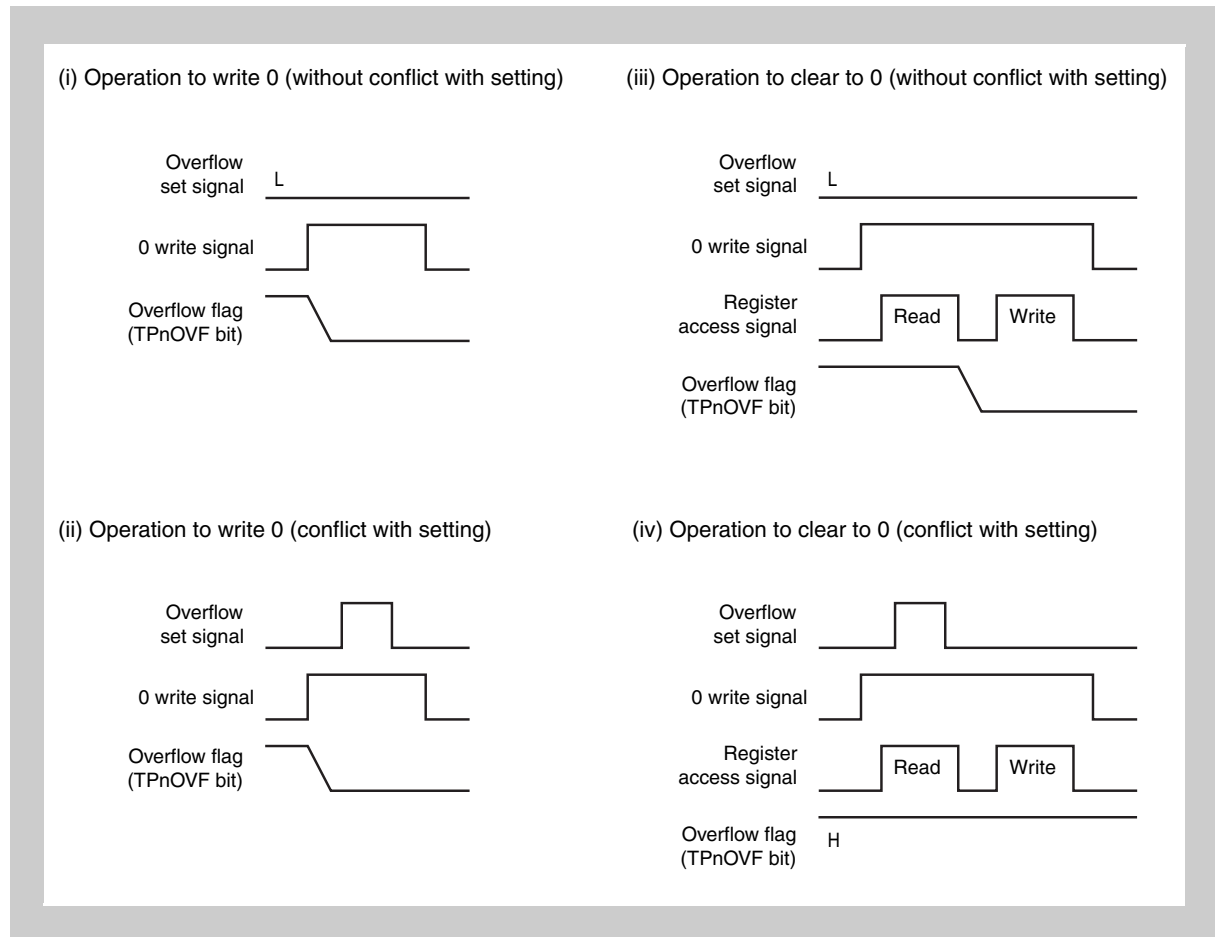
When the overflow counter is "N", the pulse width can be calculated by  $(N \times 10000H + D_{m1} - D_{m0})$ .

In this example, the pulse width is  $(20000H + D_{m1} - D_{m0})$  because an overflow occurs twice.

Clear the overflow counter (0H).

**(e) Clearing overflow flag**

The overflow flag can be cleared to 0 by clearing the TPnOVF bit to 0 with the CLR instruction and by writing 8-bit data (bit 0 is 0) to the TPnOPT0 register. To accurately detect an overflow, read the TPnOVF bit when it is 1, and then clear the overflow flag by using a bit manipulation instruction.



To clear the overflow flag to 0, read the overflow flag to check if it is set to 1, and clear it with the CLR instruction. If 0 is written to the overflow flag without checking if the flag is 1, the set information of overflow may be erased by writing 0 ((ii) in the above chart). Therefore, software may judge that no overflow has occurred even when an overflow actually has occurred.

If execution of the CLR instruction conflicts with occurrence of an overflow when the overflow flag is cleared to 0 with the CLR instruction, the overflow flag remains set even after execution of the clear instruction.

### 11.5.7 Pulse width measurement mode (TPnMD2 to TPnMD0 = 110)

In the pulse width measurement mode, 16-bit timer/event counter P starts counting when the TPnCTL0.TPnCE bit is set to 1. Each time the valid edge input to the TIPnm pin has been detected, the count value of the 16-bit counter is stored in the TPnCCRm register, and the 16-bit counter is cleared to 0000H.

The interval of the valid edge can be measured by reading the TPnCCRm register after a capture interrupt request signal (INTTPnCCm) occurs.

Select either the TIPn0 or TIPn1 pin as the capture trigger input pin. Specify “No edge detected” by using the TPnIOC1 register for the unused pins.

When an external clock is used as the count clock, measure the pulse width of the TIPn1 pin because the external clock is fixed to the TIPn0 pin. At this time, clear the TPnIOC1.TPnIS1 and TPnIOC1.TPnIS0 bits to 00 (capture trigger input (TIPn0 pin): No edge detected).

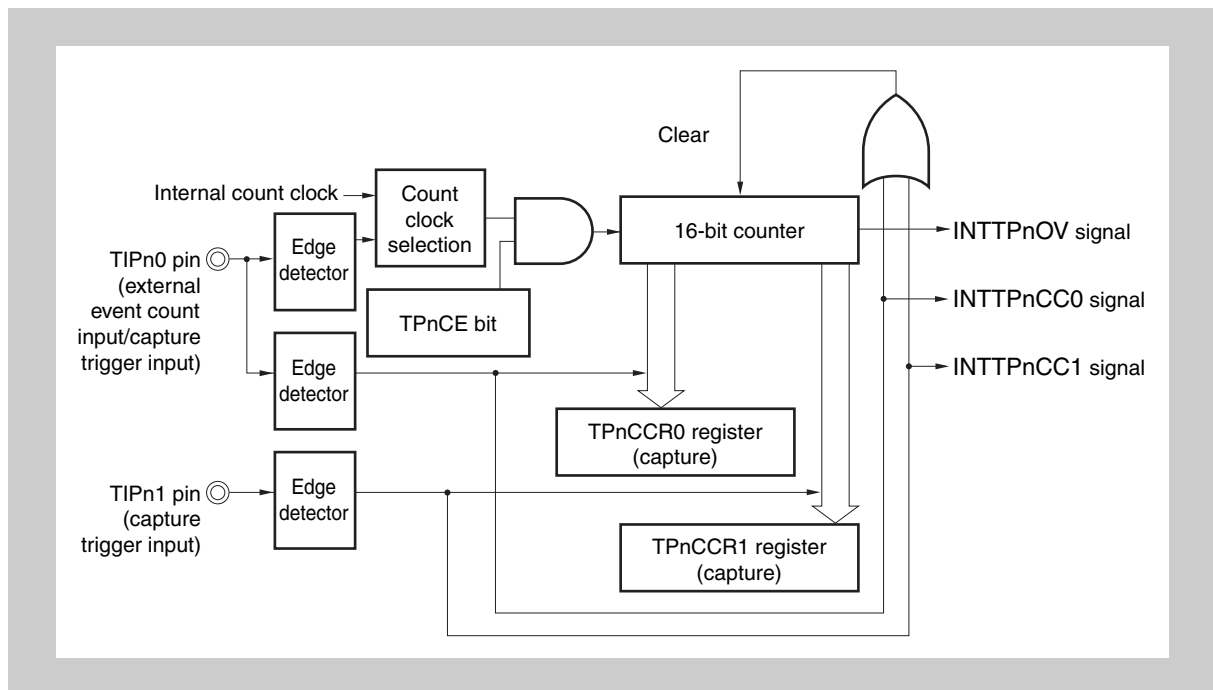


Figure 11-37 Configuration in pulse width measurement mode



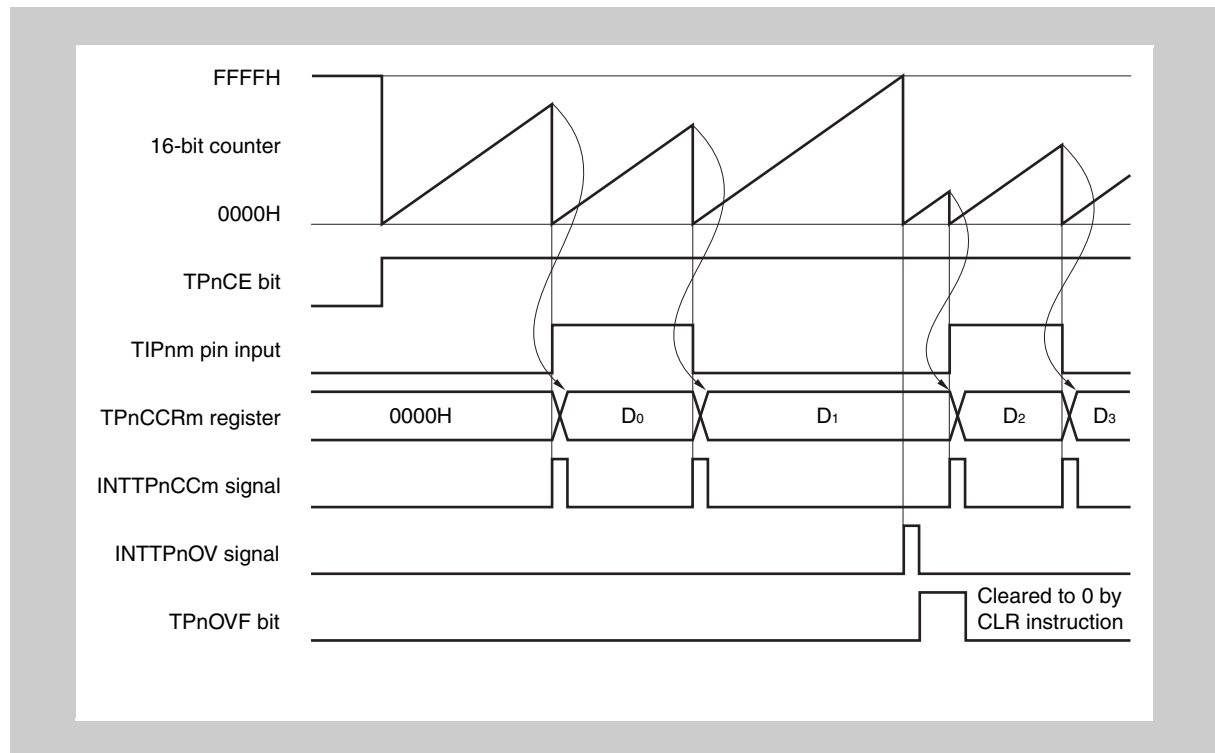


Figure 11-38 Basic timing in pulse width measurement mode

When the TPnCE bit is set to 1, the 16-bit counter starts counting. When the valid edge input to the TIPnm pin is later detected, the count value of the 16-bit counter is stored in the TPnCCRm register, the 16-bit counter is cleared to 0000H, and a capture interrupt request signal (INTTPnCCm) is generated.

The pulse width is calculated as follows.

$$\text{First pulse width} = (D_0 + 1) \times \text{Count clock cycle}$$

$$\text{Second and subsequent pulse width} = (D_N - D_{N-1}) \times \text{Count clock cycle}$$

If the valid edge is not input to the TIPnm pin even when the 16-bit counter counted up to FFFFH, an overflow interrupt request signal (INTTPnOV) is generated at the next count clock, and the counter is cleared to 0000H and continues counting. At this time, the overflow flag (TPnOPT0.TPnOVF bit) is also set to 1. Clear the overflow flag to 0 by executing the CLR instruction via software.

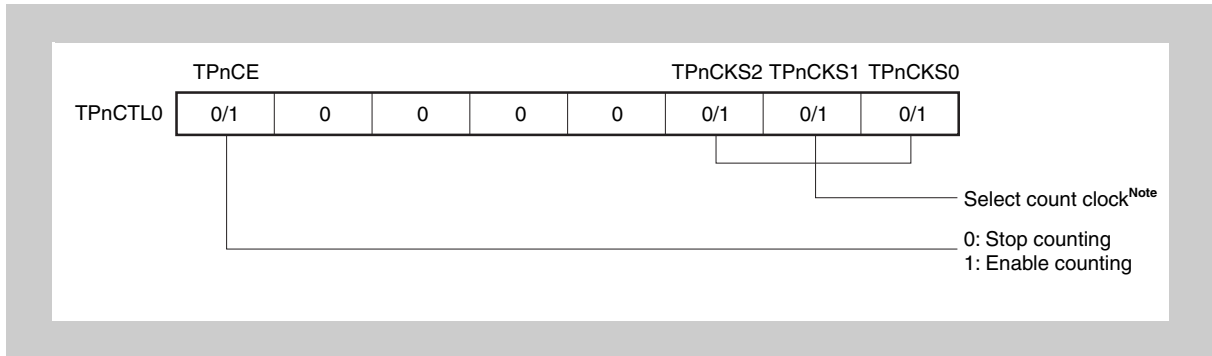
If the overflow flag is set to 1, the pulse width can be calculated as follows.

$$\text{First pulse width} = (D_0 + 10001H) \times \text{Count clock cycle}$$

$$\text{Second pulse width and on} = (10000H + D_N - D_{N-1}) \times \text{Count clock cycle}$$

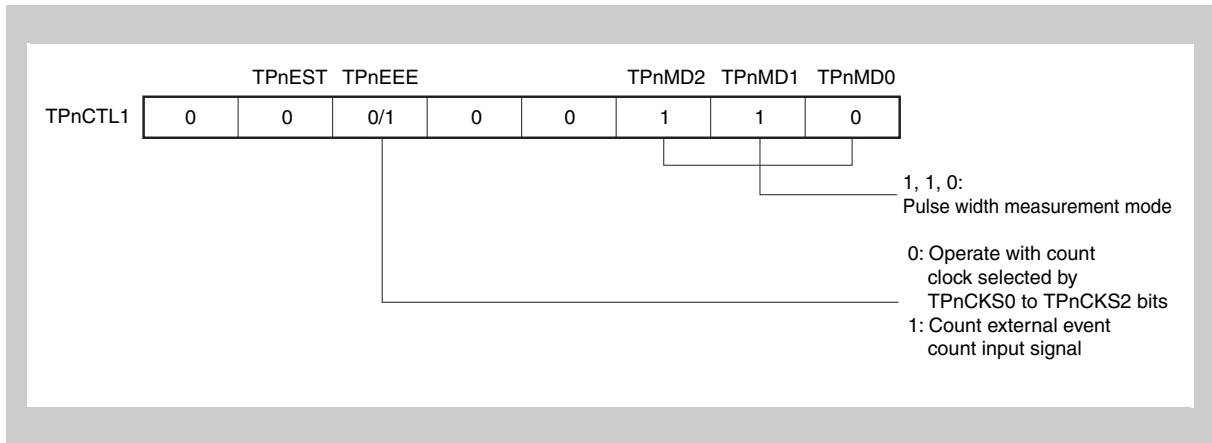
(1) Register setting in pulse width measurement mode

(a) TMPn control register 0 (TPnCTL0)

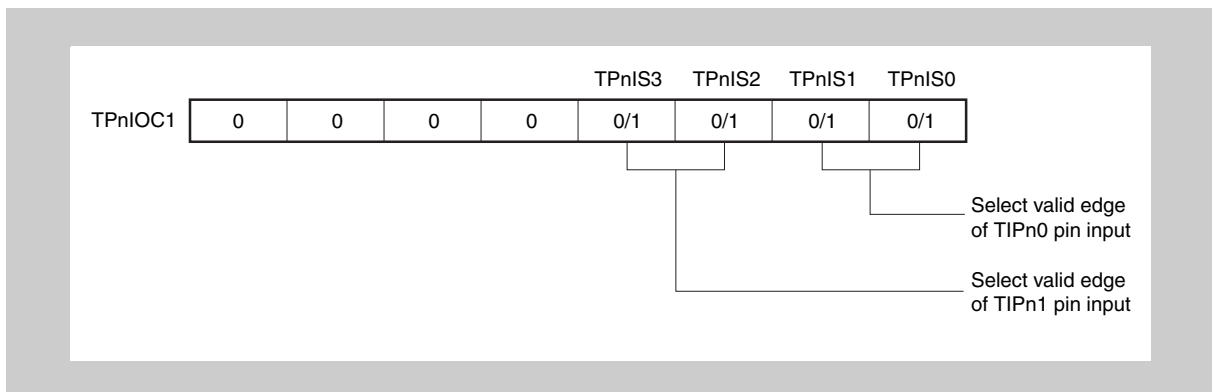


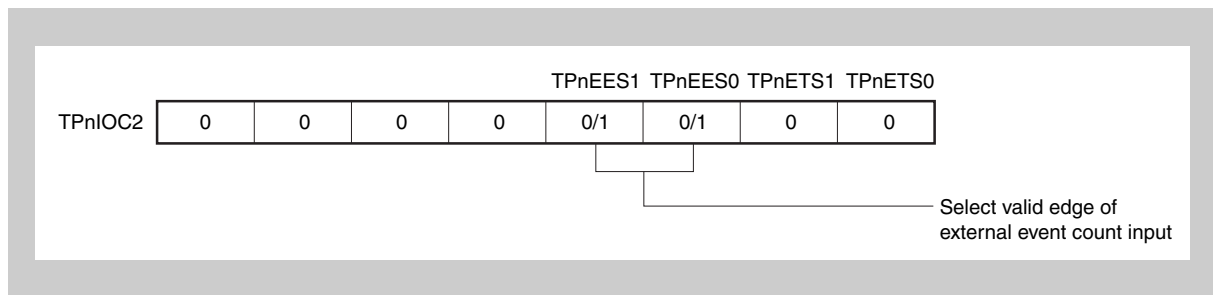
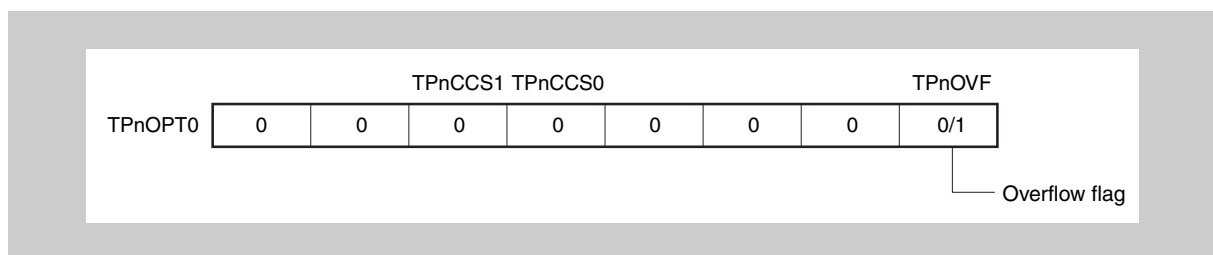
**Note** Setting is invalid when the TPnEEE bit = 1.

(b) TMPn control register 1 (TPnCTL1)



(c) TMPn I/O control register 1 (TPnIOC1)



**(d) TMPn I/O control register 2 (TPnIOC2)****(e) TMPn option register 0 (TPnOPT0)****(f) TMPn counter read buffer register (TPnCNT)**

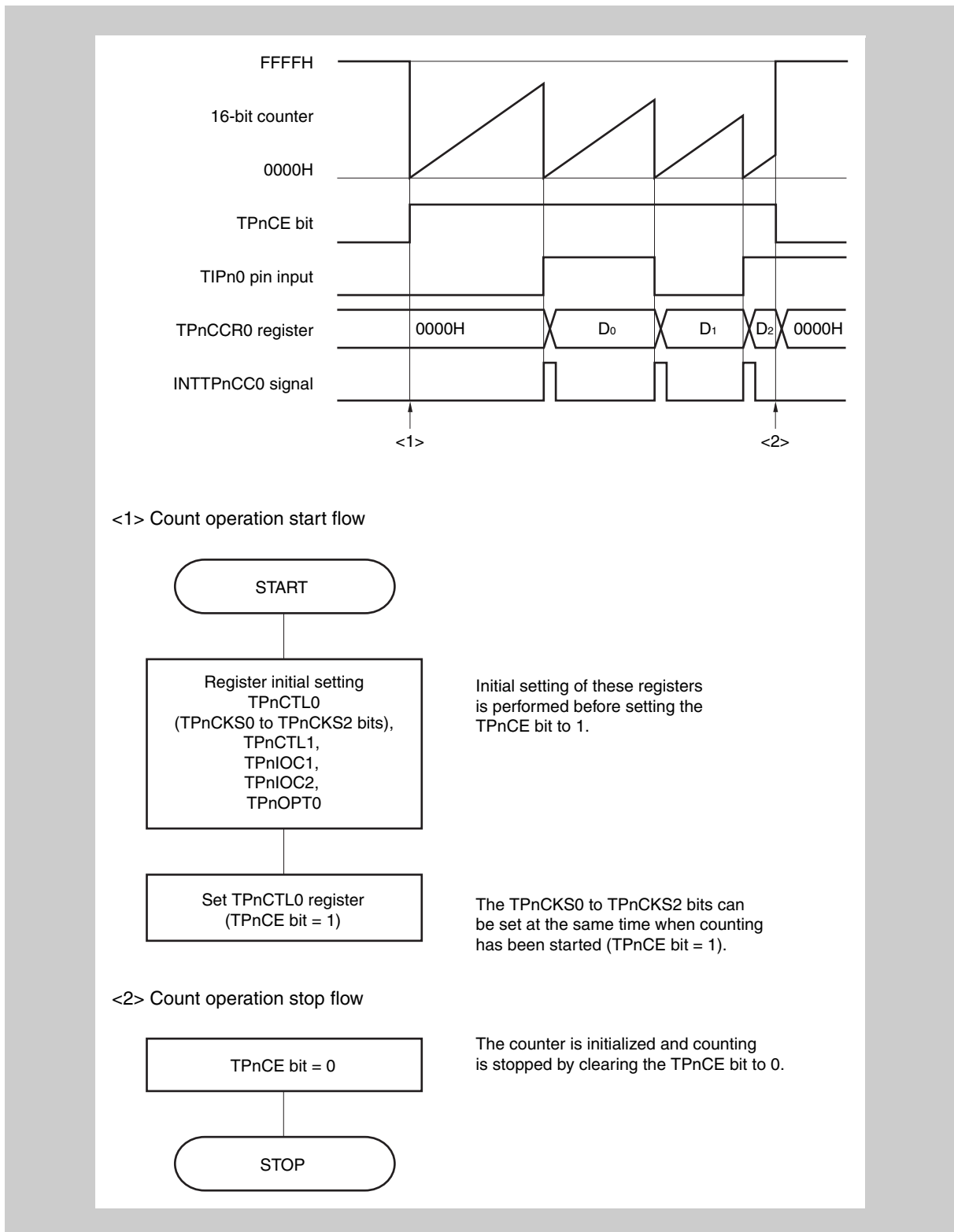
The value of the 16-bit counter can be read by reading the TPnCNT register.

**(g) TMPn capture/compare registers 0 and 1 (TPnCCR0 and TPnCCR1)**

These registers store the count value of the 16-bit counter when the valid edge input to the TIPnm pin is detected.

**Note** TPn I/O control register 0 (TPnIOC0) is not used in the pulse width measurement mode.

(2) Operation flow in pulse width measurement mode

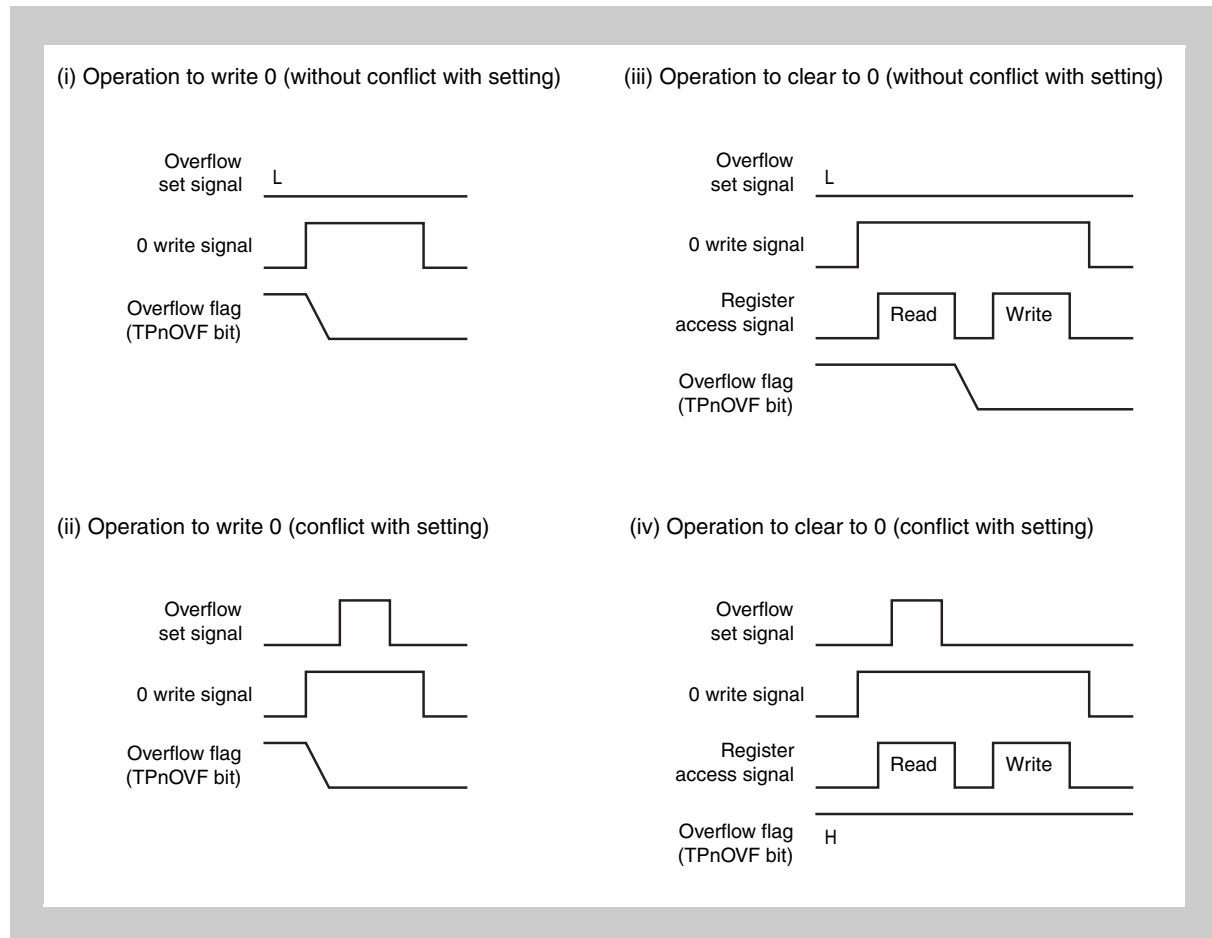


www.DataSheet4U. Figure 11-39 Software processing flow in pulse width measurement mode

**(3) Operation timing in pulse width measurement mode**

**(a) Clearing overflow flag**

The overflow flag can be cleared to 0 by clearing the TPnOVF bit to 0 with the CLR instruction and by writing 8-bit data (bit 0 is 0) to the TPnOPT0 register. To accurately detect an overflow, read the TPnOVF bit when it is 1, and then clear the overflow flag by using a bit manipulation instruction.



To clear the overflow flag to 0, read the overflow flag to check if it is set to 1, and clear it with the CLR instruction. If 0 is written to the overflow flag without checking if the flag is 1, the set information of overflow may be erased by writing 0 ((ii) in the above chart). Therefore, software may judge that no overflow has occurred even when an overflow actually has occurred.

If execution of the CLR instruction conflicts with occurrence of an overflow when the overflow flag is cleared to 0 with the CLR instruction, the overflow flag remains set even after execution of the clear instruction.

### 11.5.8 Timer output operations

The following table shows the operations and output levels of the TOPn0 and TOPn1 pins.

Table 11-11 Timer output control in each mode

Operation Mode	TOPn1 Pin	TOPn0 Pin
Interval timer mode	Square wave output	
External event count mode	Square wave output	–
External trigger pulse output mode	External trigger pulse output	Square wave output
One-shot pulse output mode	One-shot pulse output	
PWM output mode	PWM output	
Free-running timer mode	Square wave output (only when compare function is used)	
Pulse width measurement mode	–	

Table 11-12 Truth table of TOPn0 and TOPn1 pins under control of timer output control bits

TPnIOC0.TPnOLm Bit	TPnIOC0.TPnOEm Bit	TPnCTL0.TPnCE Bit	Level of TOPnm Pin
0	0	×	Low-level output
	1	0	Low-level output
		1	Low level immediately before counting, high level after counting is started
1	0	×	High-level output
	1	0	High-level output
		1	High level immediately before counting, low level after counting is started

## 11.6 Operating Precautions

### 11.6.1 Capture operation in pulse width measurement and free-running mode

When the capture operation is used in pulse width measurement or free-running mode the first captured counter value of the capture registers TPnCCR0/TPnCCR, i.e. after the timer is enabled (TPnCTL0.TPnCE = 1), may be FFFF<sub>H</sub> instead of 0000<sub>H</sub> if the chosen count clock of the TMP is not the maximum, i.e. if TPnCTL0.TPnCKS[2:0] ≠ 0.

### 11.6.2 Count jitter for PCLK4 to PCLK7 count clocks

When specifying PCLK4 to PCLK7 as the count clock, a jitter of maximum ± 1 period of PCLK0 may be applied to the counter's count clock input.





# Chapter 12 16-bit Interval Timer Z (TMZ)

Timer Z (TMZ) is a general purpose 16-bit timer/counter.

The V850E/Dx3 microcontrollers have following instances of the general purpose Timer Z:

TMZ	$\mu$ PD70F3427, $\mu$ PD70F3426A $\mu$ PD70F3425, $\mu$ PD70F3424	$\mu$ PD70F3423, $\mu$ PD70F3422 $\mu$ PD70F3421
Instances	10	6
Names	TMZ0 to TMZ9	TMZ0 to TMZ5

Throughout this chapter, the individual instances of Timer Z are identified by “n”, for example TMZn, or TZnCTL for the TMZn control register.

## 12.1 Overview

Each Timer Z has one down-counter. When the counter reaches zero, the timer generates the maskable interrupt INTTZnUV.

The TMZ can be used as:

- Interval timer
- Free running timer

**Features summary** Special features of the TMZ are:

- One of six peripheral clocks can be selected
- One reload register
- Two readable counter registers
- When the device is in debug mode, the timer can be stopped at breakpoint
- TMZ0, TMZ1, and TMZ2 can be used for triggering the DMA Controller.
- TMZ5 can be used for triggering the A/D Converter.
- All TMZn can be optionally stopped when a breakpoint is hit during debugging (refer to “On-Chip Debug Unit” on page 969).

### 12.1.1 Description

The TMZ has no external connections. It is built up as illustrated in the following figure.

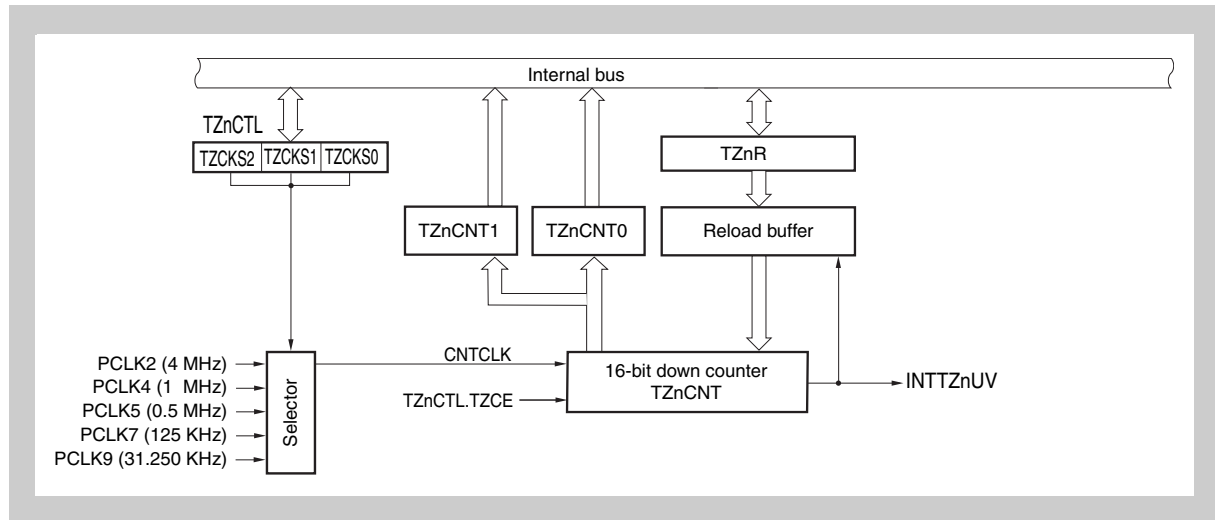


Figure 12-1 Block diagram of Timer Z (TMZn)

The control register TZnCTL allows you to choose the count clock CNTCLK and to enable the timer. The latter is done by setting TZnCTL.TZCE to 1.

As soon as the timer is enabled, it is possible to write a start value to the reload register TZnR.

### 12.1.2 Principle of operation

When it is enabled, the counter starts as soon as a non-zero value is written to the reload register TZnR and copied to the reload buffer.

When the counter reaches zero, it generates an INTTZnUV interrupt, reloads its start value from the reload buffer, and continues counting.

Two read-only registers (TZnCNT0 and TZnCNT1) provide the updated counter value. For details about these registers please refer to “TZnCNT0 - TMZn synchronized counter register” on page 487 and “TZnCNT1 - TMZn non-synchronized counter register” on page 488.

## 12.2 TMZ Registers

Each Timer Z is controlled and operated by means of the following four registers:

Table 12-1 Timer Z registers overview

Register name	Shortcut	Address
Timer Z synchronized read register	TZnCNT0	<base>
Timer Z non-synchronized read register	TZnCNT1	<base> + 2 <sub>H</sub>
Timer Z reload register	TZnR	<base> + 4 <sub>H</sub>
Timer Z control register	TZnCTL	<base> + 6 <sub>H</sub>

Table 12-2 Base addresses of Timer Z

Timer	Base address
TMZ0	FFFF F600 <sub>H</sub>
TMZ1	FFFF F608 <sub>H</sub>
TMZ2	FFFF F610 <sub>H</sub>
TMZ3	FFFF F618 <sub>H</sub>
TMZ4	FFFF F620 <sub>H</sub>
TMZ5	FFFF F628 <sub>H</sub>
TMZ6	FFFF F630 <sub>H</sub>
TMZ7	FFFF F638 <sub>H</sub>
TMZ8	FFFF F640 <sub>H</sub>
TMZ9	FFFF F648 <sub>H</sub>

**(1) TZnCTL - TMZn timer control register**

The 8-bit TZnCTL register controls the operation of the Timer Z.

**Access** This register can be read/written in 8-bit or 1-bit units.

**Address** <base> + 6<sub>H</sub>

**Initial Value** 00<sub>H</sub>. This register is cleared by any reset.

7	6	5	4	3	2	1	0
TZCE	0	0	0	0	TZCKS2	TZCKS1	TZCKS0
R/W	R	R	R	R	R/W	R/W	R/W

**Table 12-3 TZnCTL register contents**

Bit position	Bit name	Function																												
7	TZCE	Timer Z counter enable: 0: Disable count operation (the timer stops immediately with the count value 0000 <sub>H</sub> and does not operate). 1: Enable count operation (the timer starts when a non-zero start value is written to the register TZnR after TZnCTL.TZCE=1).																												
2 to 0	TZCKS[2:0]	Selects the counter clock CNTCLK: <table border="1" style="margin-left: 20px;"> <thead> <tr> <th>TZCKS2</th> <th>TZCKS1</th> <th>TZCKS0</th> <th>Counter clock selection</th> </tr> </thead> <tbody> <tr> <td style="text-align: center;">0</td> <td style="text-align: center;">0</td> <td style="text-align: center;">0</td> <td>PCLK2 (4 MHz)</td> </tr> <tr> <td style="text-align: center;">0</td> <td style="text-align: center;">1</td> <td style="text-align: center;">0</td> <td>PCLK4 (1 MHz)</td> </tr> <tr> <td style="text-align: center;">0</td> <td style="text-align: center;">1</td> <td style="text-align: center;">1</td> <td>PCLK5 (0.5 MHz)</td> </tr> <tr> <td style="text-align: center;">1</td> <td style="text-align: center;">0</td> <td style="text-align: center;">0</td> <td>PCLK7 (0.125 MHz)</td> </tr> <tr> <td style="text-align: center;">1</td> <td style="text-align: center;">0</td> <td style="text-align: center;">1</td> <td>PCLK9 (31.250 KHz)</td> </tr> <tr> <td colspan="3" style="text-align: center;">Others than above</td> <td>Setting prohibited</td> </tr> </tbody> </table>	TZCKS2	TZCKS1	TZCKS0	Counter clock selection	0	0	0	PCLK2 (4 MHz)	0	1	0	PCLK4 (1 MHz)	0	1	1	PCLK5 (0.5 MHz)	1	0	0	PCLK7 (0.125 MHz)	1	0	1	PCLK9 (31.250 KHz)	Others than above			Setting prohibited
TZCKS2	TZCKS1	TZCKS0	Counter clock selection																											
0	0	0	PCLK2 (4 MHz)																											
0	1	0	PCLK4 (1 MHz)																											
0	1	1	PCLK5 (0.5 MHz)																											
1	0	0	PCLK7 (0.125 MHz)																											
1	0	1	PCLK9 (31.250 KHz)																											
Others than above			Setting prohibited																											

**Note** Change bits TZnCTL.TZCKS[2:0] only when TZnCTL.TZCE = 0.

When TZnCTL.TZCE = 0, it is possible to select the clock and enable the counter with one write operation.

**(2) TZnCNT0 - TMZn synchronized counter register**

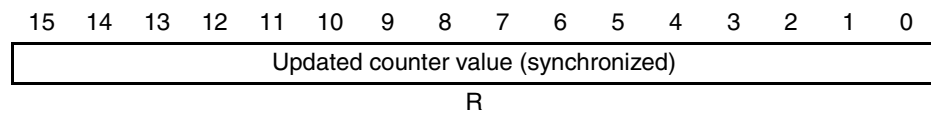
The TZnCNT0 register is the synchronized register that can be used to read the present value of the 16-bit counter.

“Synchronized” means that the read access via the internal bus is synchronized with the maximum counter clock (PCLK2). The synchronization process may cause a delay, but the resulting value is reliable.

**Access** This register is read-only, in 16-bit units.

**Address** <base> of TMZn

**Initial Value** 0000<sub>H</sub>. This register is cleared by any reset and when TZnCTL.TZCE = 0.




---

**Caution** Reading TZnCNT0 immediately after start of the counter by setting TZnR > 0 may return 0000<sub>H</sub> instead of the correct counter value. Refer to (4) “TZnR - Reload register” for details.

---

**(3) TZnCNT1 - TMZn non-synchronized counter register**

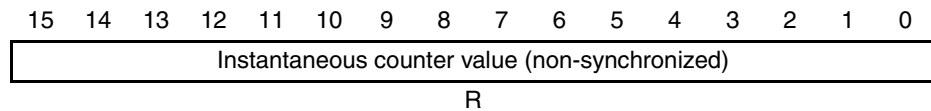
The TZnCNT1 register is the non-synchronized register that can be used to read the present value of the corresponding 16-bit counter.

“Non-synchronized” means that the read access via the internal bus is not synchronized with the counter clock. It returns the instantaneous value immediately, with the risk that this value is just being updated by the counter and therefore in doubt.

**Access** This register is read-only, in 16-bit units.

**Address** <base> + 2<sub>H</sub>

**Initial Value** 0000<sub>H</sub>. This register is cleared by any reset and when TZnCTL.TZCE = 0.



**Note** The value read from this register can be incorrect, because the read access is not synchronized with the counter clock.

Therefore, this register shall be read multiple times within one period of the counter clock cycle.

If the difference between the first and the second value is not greater than one, you can consider the second value to be correct. If the difference between the two values is greater than one, you have to read the register a third time and compare the third value with the second. Again, the difference must not be greater than one.

If the read accesses do not happen within one period of the counter clock cycle, the difference between the last two values will usually be greater than one. In this case, you can only repeat the procedure or estimate the updated counter value.

---

**Caution** Reading TZnCNT1 immediately after start of the counter by setting TZnR > 0 may return 0000<sub>H</sub> instead of the correct counter value. Refer to (4) “TZnR - Reload register” for details.

---

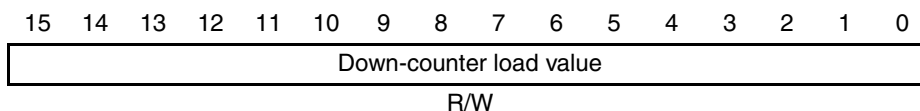
**(4) TZnR - Reload register**

The TZnR register is a dedicated register for setting the reload value of the corresponding counter.

**Access** This register can be read/written in 16-bit units.

**Address** <base> + 4<sub>H</sub>

**Initial Value** 0000<sub>H</sub>. This register is cleared by any reset and when TZnCTL.TZCE = 0.



- Note**
1. TZnR can only be written when TZnCTL.TZCE = 1.
  2. The load value must be non-zero (0001<sub>H</sub> ... FFFF<sub>H</sub>).
  3. To operate the timer in free running mode, set TZnR to FFFF<sub>H</sub>.
  4. The first interval after starting the counter can require additional clock cycles. For details refer to “Timer start and stop” on page 491.
  5. Transfer of the TZnR content after writing to TZnR requires additional clock cycles, until the value is set to the counter register TZnCNT. Thus during that transfer time  $T_{Trans}$  reading of TZnCNT0 respectively TZnCNT1 returns 0000<sub>H</sub> instead of the correct value.  
The transfer time  $T_{Trans}$  depends on the chosen count clock and are given in Table 12-4.

**Table 12-4** Transfer times  $T_{Trans}$  of TZnR to TZnCNT

TZnCTL.TZCKS	$T_{CNTCLK}$ period	TZnR to TZnCNT transfer time $T_{Trans}$	
		minimum	maximum
000 <sub>B</sub>	$T_{PCLK2}$	$T_{PCLK2}$	$T_{PCLK2}$
010 <sub>B</sub>	$4 \times T_{PCLK2}$	$5 \times T_{PCLK2}$	$9 \times T_{PCLK2}$
011 <sub>B</sub>	$8 \times T_{PCLK2}$	$9 \times T_{PCLK2}$	$17 \times T_{PCLK2}$
100 <sub>B</sub>	$32 \times T_{PCLK2}$	$33 \times T_{PCLK2}$	$65 \times T_{PCLK2}$
101 <sub>B</sub>	$128 \times T_{PCLK2}$	$128 \times T_{PCLK2}$	$257 \times T_{PCLK2}$

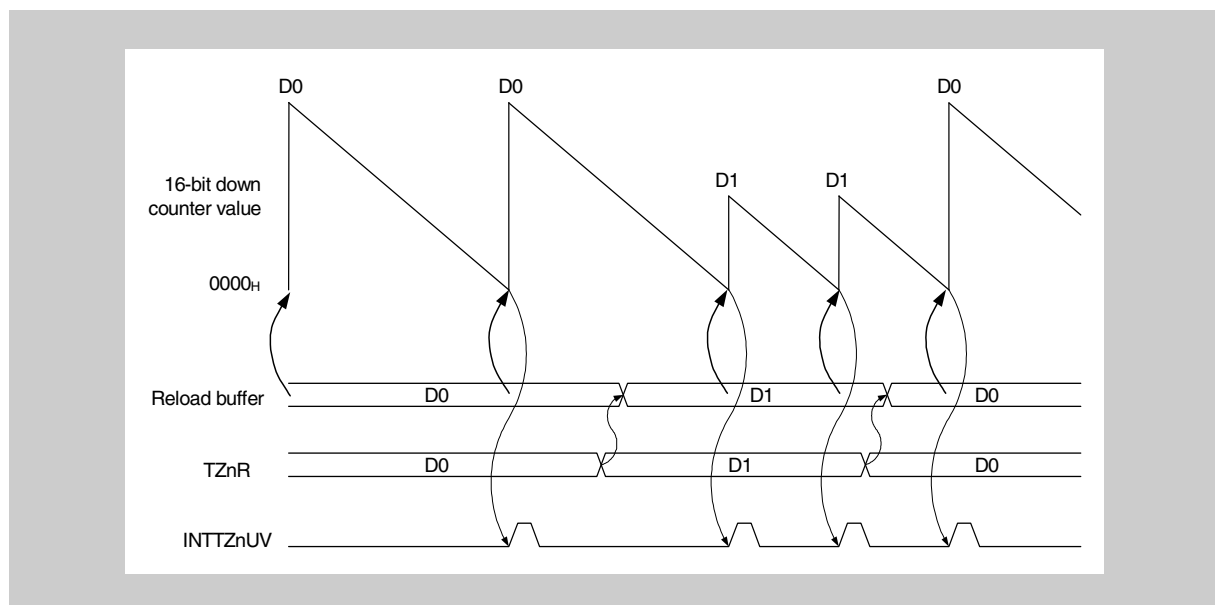
## 12.3 Timing

The contents of the reload register TZnR can be changed at any time, provided the timer is enabled. The contents is then copied to the reload buffer. However, the counter reloads its start value from the buffer when the counter reaches 0.

**Caution** When specifying PCLK4, PLCK5, PCLK7 or PCLK9 as the count clock, a jitter of maximum  $\pm 1$  period of PCLK2 may be applied to the TZnCNT counter's count clock input.

### 12.3.1 Steady operation

Steady operation is illustrated in the following figure.



**Figure 12-2** Reload timing and interrupt generation

D0 and D1 are two different reload values.

Note that there is a delay between writing to TZnR and making the data available in the reload buffer, depending on the previous reload value and the chosen count clock.



### 12.3.2 Timer start and stop

#### (1) Timer Z start

The Timer TZn is enabled by setting TZnCTL.TZCE to 1.

The subsequent write access to register TZnR with non-zero data starts the timer. After that, it is prepared to load the value written to register TZnR into the reload buffer and the counter.

The interval time, i.e. the time between the INTTZnUV interrupts, depends on the chosen count clock  $T_{CNTCLK}$  (selected by TZnCTL.TZCKS) and calculates to

$$T_{interval} = ([TZnR] + 1) \times T_{CNTCLK}$$

However the time of the first interval after starting the counter by setting  $TZnR > 0$  may be longer than the steady intervals afterwards.

The length of the first interval also depends on whether the counter has already been enabled a certain time before it's started.

In the following the interval times for both cases are given as a multiple of  $T_{PCLK2}$ , the period of the PCLK2 input clock.

$T_{ACmin}$ ,  $T_{ACmax}$

Since the access time to the TZnR register adds also to the uncertainty of the first interval duration, the below tables contain two values, which are calculated as follows:

- $T_{ACmin} = (SUWL + VSWL + 3) \times 1/f_{VBCLK}$
- $T_{ACmax} = [2 \times (SUWL + VSWL) + 4.5] \times 1/f_{VBCLK}$

The values SUWL and VSWL depend on the chosen CPU system clock VBCLK and are set up in the VSWC register (refer to "Bus and Memory Control (BCU, MEMC)" on page 255).

Note that the above access times assume that the NPB bus is not occupied and the write access to TZnR is immediately passed to the Timer Z.

**Timer enabled** Table 12-5 shows the interval times under following conditions:

- timer is enabled by  $TZnCTL.TZCE = 1$
- timer is started by setting  $TZnR > 0$  after at least 2 PCLK2 clock periods after timer enable

**Table 12-5 TMZ interval times (timer enabled since minimum 2 PCLK2 clocks)**

TZnCTL .TZCKS	T <sub>CNTCLK</sub> period	1st interval		Following intervals
		minimum	maximum	
000 <sub>B</sub>	T <sub>PCLK2</sub>	T <sub>ACmin</sub> + ([TZnR]+2) x T <sub>PCLK2</sub>	T <sub>ACmax</sub> + ([TZnR]+3) x T <sub>PCLK2</sub>	([TZnR]+1) x T <sub>PCLK2</sub>
010 <sub>B</sub>	4 x T <sub>PCLK2</sub>	T <sub>ACmin</sub> + (4[TZnR]+6) x T <sub>PCLK2</sub>	T <sub>ACmax</sub> + (4[TZnR]+11) x T <sub>PCLK2</sub>	4 x ([TZnR]+1) x T <sub>PCLK2</sub>
011 <sub>B</sub>	8 x T <sub>PCLK2</sub>	T <sub>ACmin</sub> + (8[TZnR]+10) x T <sub>PCLK2</sub>	T <sub>ACmax</sub> + (8[TZnR]+19) x T <sub>PCLK2</sub>	8 x ([TZnR]+1) x T <sub>PCLK2</sub>
100 <sub>B</sub>	32 x T <sub>PCLK2</sub>	T <sub>ACmin</sub> + (32[TZnR]+34) x T <sub>PCLK2</sub>	T <sub>ACmax</sub> + (32[TZnR]+67) x T <sub>PCLK2</sub>	32 x ([TZnR]+1) x T <sub>PCLK2</sub>
101 <sub>B</sub>	128 x T <sub>PCLK2</sub>	T <sub>ACmin</sub> + (128[TZnR]+130) x T <sub>PCLK2</sub>	T <sub>ACmax</sub> + (128[TZnR]+259) x T <sub>PCLK2</sub>	128 x ([TZnR]+1) x T <sub>PCLK2</sub>

**Timer disabled** Table 12-6 shows the interval times under following conditions:

- timer disabled:  $TZnCTL.TZCE = 0$
- timer is enabled by  $TZnCTL.TZCE = 1$
- timer is started by setting  $TZnR > 0$  immediately after enable, i.e. within 2 PCLK2 clock periods after timer enable

**Table 12-6 TMZ interval times (timer started within 2 PCLK2 clocks after enable)**

TZnCTL .TZCKS	T <sub>CNTCLK</sub> period	1st interval		Following intervals
		minimum	maximum	
000 <sub>B</sub>	T <sub>PCLK2</sub>	T <sub>ACmin</sub> + ([TZnR]+4.5) x T <sub>PCLK2</sub>	T <sub>ACmax</sub> + ([TZnR]+6.5) x T <sub>PCLK2</sub>	([TZnR]+1) x T <sub>PCLK2</sub>
010 <sub>B</sub>	4 x T <sub>PCLK2</sub>	T <sub>ACmin</sub> + (4[TZnR]+7.5) x T <sub>PCLK2</sub>	T <sub>ACmax</sub> + (4[TZnR]+13.5) x T <sub>PCLK2</sub>	4 x ([TZnR]+1) x T <sub>PCLK2</sub>
011 <sub>B</sub>	8 x T <sub>PCLK2</sub>	T <sub>ACmin</sub> + (8[TZnR]+11.5) x T <sub>PCLK2</sub>	T <sub>ACmax</sub> + (8[TZnR]+21.5) x T <sub>PCLK2</sub>	8 x ([TZnR]+1) x T <sub>PCLK2</sub>
100 <sub>B</sub>	32 x T <sub>PCLK2</sub>	T <sub>ACmin</sub> + (32[TZnR]+35.5) x T <sub>PCLK2</sub>	T <sub>ACmax</sub> + (32[TZnR]+69.5) x T <sub>PCLK2</sub>	32 x ([TZnR]+1) x T <sub>PCLK2</sub>
101 <sub>B</sub>	128 x T <sub>PCLK2</sub>	T <sub>ACmin</sub> + (128[TZnR]+131.5) x T <sub>PCLK2</sub>	T <sub>ACmax</sub> + (128[TZnR]+261.5) x T <sub>PCLK2</sub>	128 x ([TZnR]+1) x T <sub>PCLK2</sub>

## (2) Timer Z stop

The timer stops when  $TZnCTL.TZCE$  is cleared. This write access is not synchronized. The timer is immediately stopped, and its registers are reset.

# Chapter 13 16-bit Multi-Purpose Timer G (TMG)

The V850E/Dx3 microcontrollers have following instances of the 16-bit multi-purpose Timer G:

TMG	All devices
Instances	3
Names	TMG0 to TMG2

Throughout this chapter, the individual instances of Timer G are identified by “n”, for example TMGn, or TMGMn for the TMGn mode register.

**Note** Throughout this chapter, the following indexes are used:

- n: for each of the Timer G instances
- m = 1 to 4: for the free assignable Input/Output-channels
- x = 0, 1: for bit-index, i.e. one of the 2 counters of each Timer Gn
- y = 0 to 5: for all of the 6 capture/compare-channels

## 13.1 Features of Timer G

The timers Gn operate as:

- Pulse interval and frequency measurement counter
- Interval timer
- Programmable pulse output
- PWM output timer
- TMG0 can be used for triggering the DMA Controller.

One capture input of Timer G0 and one capture input of Timer G1 are connected to the time stamp outputs of CAN0 and CAN1 modules and can therefore be used for CAN time stamp functions.

## 13.2 Function Overview of Each Timer Gn

- 16-bit timer/counter (TMGn0, TMGn1): 2 channels
- Bit length
  - Timer Gn registers (TMGn0, TMGn1): 16 bits
- Capture/compare register (GCCny): 6
  - 16-bit
  - 2 registers are assigned fix to the corresponding one of the 2 counters
  - 4 free assignable registers to one of the 2 counters
- Count clock division selectable by prescaler (frequency of peripheral clock:  $f_{SPCLK0} = 16 \text{ MHz}$ )
  - In 8 steps from  $f_{SPCLK0}/2$  to  $f_{SPCLK0}/256$
- Interrupt request sources
  - Edge detection circuit with noise elimination.
  - Compare-match interrupt requests: 6 types  
Perform comparison of capture/compare register with one of the 2 counters (TMGn0, TMGn1) and generate the INTCCGny ( $y = 0$  to 5) interrupt upon compare match.
  - Timer counter overflow interrupt requests: 2 types  
In free run mode the INTTMGn0 (INTTMGn1) interrupt is generated when the count value of TMGn0 (TMGn1) toggles from FFFFH to 0000H.
  - In match and clear mode the INTTMGn0 (INTTMGn1) interrupt is generated when the count value of TMGn0 (TMGn1) matches the GCC0 (GCC1) value.
- PWM output function
  - Control of the outputs of TOGn1 through TOGn4 pin in the compare mode. PWM output can be performed using the compare match timing of the GCCn1 to GCCn4 register and the corresponding timebase (TMGn0, TMGn1).
- Output delay operation
  - A clock-synchronized output delay can be added to the output signal of pins TOGn1 to TOGn4.
  - This is effective as an EMI counter measure.
- Edge detection and noise elimination filter
  - External signals shorter than 1 count clock ( $f_{COUNTn}$ , not  $f_{SPCLK0}$ ) are eliminated as noise.

**Note** The TIGn1 to TIGn4 and TOGn1 to TOGn4 are each alternative function pins.

The following figure shows the block diagram of Timer Gn.

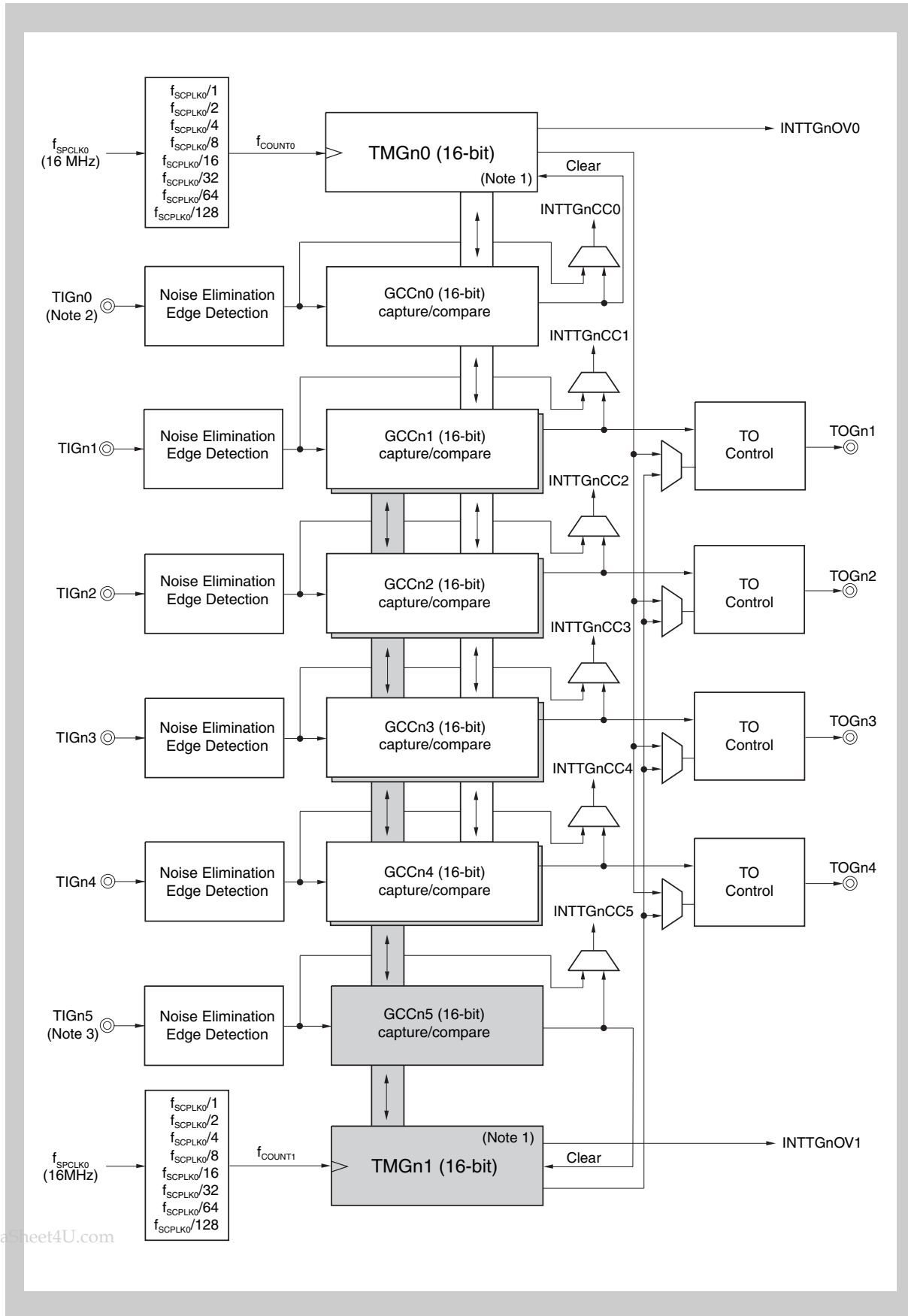


Figure 13-1 Block Diagram of Timer Gn

- Note**
1. TMGn0/TMGn1 are cleared by GCCn0/GCCn5 register compare match.
  2. TIGn0 differs:
    - n = 0: TIG00 not connected
    - n = 1: TIG10 not connected
    - n = 2: TIG20 available as external capture input
  3. TIGn5 differs:
    - n = 0: CAN0 time stamp TSOUTCAN0 -> TIG05
    - n = 1: CAN1 time stamp TSOUTCAN1 -> TIG15
    - n = 2: TIG25 available as external capture input

### 13.3 Basic Configuration

The basic configuration is shown below.

**Table 13-1** Timer Gn configuration list

Count clock	Register	R/W	Generated interrupt signal	Capture trigger	Timer output PWM
$f_{SPCLK0}$ $f_{SPCLK0}/2$ , $f_{SPCLK0}/4$ , $f_{SPCLK0}/8$ , $f_{SPCLK0}/16$ , $f_{SPCLK0}/32$ , $f_{SPCLK0}/64$ , $f_{SPCLK0}/128$	TMGn0	R	INTTMGn0	-	-
	TMGn1	R	INTTMGn1	-	-
	GCCn0	R/W	INTCCGn0	TIGn0	-
	GCCn1	R/W	INTCCGn1	TIGn1	TOGn1
	GCCn2	R/W	INTCCGn2	TIGn2	TOGn2
	GCCn3	R/W	INTCCGn3	TIGn3	TOGn3
	GCCn4	R/W	INTCCGn4	TIGn4	TOGn4
	GCCn5	R/W	INTCCGn5	TIGn5	-

**Note**  $f_{SPCLK0}$ : Internal peripheral clock

## 13.4 TMG Registers

The Timers Gn are controlled and operated by means of the following registers:

Table 13-2 TMGn registers overview

Register name	Shortcut	Address
Timer Gn mode register	TMGMn	<base>
Timer Gn channel mode register	TMGCMn	<base> + 2 <sub>H</sub>
Timer Gn output control register	OCTLGn	<base> + 4 <sub>H</sub>
Timer Gn time base status register	TMGSTn	<base> + 6 <sub>H</sub>
Timer Gn count register 0	TMG00	<base> + 8 <sub>H</sub>
Timer Gn count register 1	TMG01	<base> + A <sub>H</sub>
Timer Gn capture/compare register 0	GCC00	<base> + C <sub>H</sub>
Timer Gn capture/compare register 1	GCC01	<base> + E <sub>H</sub>
Timer Gn capture/compare register 2	GCC02	<base> + 10 <sub>H</sub>
Timer Gn capture/compare register 3	GCC03	<base> + 12 <sub>H</sub>
Timer Gn capture/compare register 4	GCC04	<base> + 14 <sub>H</sub>
Timer Gn capture/compare register 5	GCC05	<base> + 16 <sub>H</sub>

Table 13-3 TMGn register base address

Timer	Base address
TMG0	FFFF F6A0 <sub>H</sub>
TMG1	FFFF F6C0 <sub>H</sub>
TMG2	FFFF F6E0 <sub>H</sub>

**(1) TMGMn - Timer Gn mode register**

**Access** This register can be read/written in 16-bit, 8-bit or 1-bit units.  
 The low byte TMGMn.bit[7:0] is accessible separately under the name TMGMnL, the high byte TMGMn.bit[15:8] under the name TMGMnH.

**Address** TMGMn, TMGMnL: <base>  
 TMGMnH: <base> + 1<sub>H</sub>

**Initial Value** 0000<sub>H</sub>. This register is cleared by any reset.

15	14	13	12	11	10	9	8
POWERn	OLDEn	CSEn12	CSEn11	CSEn10	CSE002	CSEn01	CSEn00
R/W	R/W	R/W	R/W	R/W	R/W	R/W	R/W
7	6	5	4	3	2	1	0
CCSGn5	CCSGn0	0	0	CLRGn1	TMGn1E	CLRGn0	TMGn0E
R/W	R/W	R/W	R/W	R/W	R/W	R/W	R/W

**Table 13-4 TMGMn register contents (1/2)**

Bit position	Bit name	Function																																				
15	POWERn	Timer Gn Operation control. 0: operation Stop the capture registers and TMGSTn register are cleared the TOGnm pins are inactive all the time 1: operation enable <b>Note:</b> At least 7 peripheral clocks ( $f_{SPCLK0}$ ) are needed to start the timer function																																				
14	OLDEn	Set Output Delay Operation. 0: Don't perform output delay operation 1: Set output delay to n count-clocks <hr/> <b>Caution:</b> When the POWERn bit is set, the rewriting of this bit is prohibited! Simultaneously writing with the POWERn bit is allowed. <hr/> <b>Note:</b> The delay operation is used for EMI counter measures.																																				
13 to 8	CSEn[2:0]	Selects internal count clock of TMG <table border="1" style="width: 100%; border-collapse: collapse;"> <thead> <tr> <th>CSEn2</th> <th>CSEn1</th> <th>CSEn0</th> <th>Count clock</th> </tr> </thead> <tbody> <tr> <td>0</td> <td>0</td> <td>0</td> <td><math>f_{SPCLK0}</math></td> </tr> <tr> <td>0</td> <td>0</td> <td>1</td> <td><math>f_{SPCLK0}/2</math></td> </tr> <tr> <td>0</td> <td>1</td> <td>0</td> <td><math>f_{SPCLK0}/4</math></td> </tr> <tr> <td>0</td> <td>1</td> <td>1</td> <td><math>f_{SPCLK0}/8</math></td> </tr> <tr> <td>1</td> <td>0</td> <td>0</td> <td><math>f_{SPCLK0}/16</math></td> </tr> <tr> <td>1</td> <td>0</td> <td>1</td> <td><math>f_{SPCLK0}/32</math></td> </tr> <tr> <td>1</td> <td>1</td> <td>0</td> <td><math>f_{SPCLK0}/64</math></td> </tr> <tr> <td>1</td> <td>1</td> <td>1</td> <td><math>f_{SPCLK0}/128</math></td> </tr> </tbody> </table> <hr/> <b>Caution:</b> When the POWERn bit is set, the rewriting of this bits are prohibited! Simultaneously writing with the POWERn bit is allowed.	CSEn2	CSEn1	CSEn0	Count clock	0	0	0	$f_{SPCLK0}$	0	0	1	$f_{SPCLK0}/2$	0	1	0	$f_{SPCLK0}/4$	0	1	1	$f_{SPCLK0}/8$	1	0	0	$f_{SPCLK0}/16$	1	0	1	$f_{SPCLK0}/32$	1	1	0	$f_{SPCLK0}/64$	1	1	1	$f_{SPCLK0}/128$
CSEn2	CSEn1	CSEn0	Count clock																																			
0	0	0	$f_{SPCLK0}$																																			
0	0	1	$f_{SPCLK0}/2$																																			
0	1	0	$f_{SPCLK0}/4$																																			
0	1	1	$f_{SPCLK0}/8$																																			
1	0	0	$f_{SPCLK0}/16$																																			
1	0	1	$f_{SPCLK0}/32$																																			
1	1	0	$f_{SPCLK0}/64$																																			
1	1	1	$f_{SPCLK0}/128$																																			

www.DataSheet4U.com



Table 13-4 TMGMn register contents (2/2)

Bit position	Bit name	Function
7, 6	CCSGn5 CCSGn0	<p>Specifies the mode of the TMGn0 (TMGn1)(CCSGn5 for TMGn1, CCSGn0 for TMGn0):</p> <p>0: Free-run mode for TMGn1 (TMGn0), GCCn5 (GCCn0) in capture mode (an detected edge at pin TIGn5 (TIGn0) stores the value of TMGn1 (TMGn0) in GCCn5 (GCCn0) and an interrupt INTCCGn5 (INTCCGn0) is output)</p> <p>1: Match and Clear mode of the TMGn1 (TMGn0), GCCn5 (GCCn0) in compare mode (when the data of GCCn5 (GCCn0) match the count value of the TMGn1 (TMGn0), the counter is cleared and the interrupt INTCCGn5 (INTCCGn0) occurs)</p> <hr/> <p><b>Caution:</b> When the POWERn bit is set, the rewriting of this bits are prohibited! Simultaneously writing with the POWERn bit is allowed.</p> <hr/>
3, 1	CLRGnx	<p>Specifies software clear for TMGnx</p> <p>0: Continue TMGnx operation</p> <p>1: Clears (0) the count value of TMGnx, the corresponding TOGnx is deactivated.</p> <p><b>Note:</b> TMGnx starts 1 peripheral-clock after this bit is set this bit is not readable (always read 0)</p>
2, 0	TMGnxE	<p>Specifies TMGnx count operation enable/disable</p> <p>0: Stop count operation the counter holds the immediate preceding value the corresponding TOGnx is deactivated</p> <p>1: Enable count operation</p> <p><b>Note:</b> 1. the counter needs at least 1 peripheral-clock (<math>f_{SPCLK0}</math>) to stop</p> <p>2. the counter needs at least 4 peripheral-clocks (<math>f_{SPCLK0}</math>) to start</p>

**(2) TMGCMn - Timer Gn channel mode register**

This register specifies the assigned counter (TMGn0 or TMGn1) for the GCCnm register.

Furthermore it specifies the edge detection for the TIGny input pins.

**Access** This register can be read/written in 16-bit, 8-bit or 1-bit units.  
The low byte TMGCMn.bit[7:0] is accessible separately under the name TMGCMnL, the high byte TMGCMn.bit[15:8] under the name TMGCMnH.

**Address** TMGCMn, TMGCMnL: <base> + 2<sub>H</sub>  
TMGCMnH: <base> + 3<sub>H</sub>

**Initial Value** 0000<sub>H</sub>. This register is cleared by any reset.

15	14	13	12	11	10	9	8
TBGn4	TBGn3	TBGn2	TBGn1	IEGn51	IEGn50	IEGn41	IEGn40
R/W	R/W	R/W	R/W	R/W	R/W	R/W	R/W
7	6	5	4	3	2	1	0
IEGn31	IEGn30	IEGn21	IEGn20	IEGn11	IEGn10	IEGn01	IEGn00
R/W	R/W	R/W	R/W	R/W	R/W	R/W	R/W

**Table 13-5 TMGCMn register contents**

Bit position	Bit name	Function															
15 to 12	TBGnm	Assigns Capture/Compare registers GCCn1 to GCCn4 to one of the 2 counters TMGn0 or TMGn1: 0: Set TMGn0 as the corresponding counter to GCCnm register and TIGnm/TOGnm pin 1: Set TMGn1 as the corresponding counter to GCCnm register and TIGnm/TOGnm pin															
11 to 0	IEGny1, IEGny0	Specifies the valid edge of external capture signal input pin (TIGnm) for the capture register performing capture-match with the assigned counter TMGn0 or TMGn1: <table border="1" data-bbox="539 1317 1369 1532"> <thead> <tr> <th>IEGny1</th><th>IEGny0</th><th>Valid edge</th></tr> </thead> <tbody> <tr> <td>0</td><td>0</td><td>Falling edge</td></tr> <tr> <td>0</td><td>1</td><td>Rising edge</td></tr> <tr> <td>1</td><td>0</td><td>No edge detection performed</td></tr> <tr> <td>1</td><td>1</td><td>Both rising and falling edges</td></tr> </tbody> </table>	IEGny1	IEGny0	Valid edge	0	0	Falling edge	0	1	Rising edge	1	0	No edge detection performed	1	1	Both rising and falling edges
IEGny1	IEGny0	Valid edge															
0	0	Falling edge															
0	1	Rising edge															
1	0	No edge detection performed															
1	1	Both rising and falling edges															

**(3) OCTLGn - Timer Gn output control register**

This register controls the timer output from the TOGnm pin and the capture or compare modulus for the GCCnm register.

**Access** This register can be read/written in 16-bit, 8-bit or 1-bit units.  
The low byte OCTLGn.bit[7:0] is accessible separately under the name OCTLGnL, the high byte OCTLGn.bit[15:8] under the name OCTLGnH.

**Address** OCTLGn, OCTLGnL: <base> + 4<sub>H</sub>  
OCTLGnH: <base> + 5<sub>H</sub>

**Initial Value** 4444<sub>H</sub>. This register is cleared by any reset.

15	14	13	12	11	10	9	8
SWFGn4	ALVGn4	CCSGn4	0	SWFGn3	ALVGn3	CCSGn3	0
R/W	R/W	R/W	R/W	R/W	R/W	R/W	R/W
7	6	5	4	3	2	1	0
SWFGn2	ALVGn2	CCSGn2	0	SWFGn1	ALVGn1	CCSGn1	0
R/W	R/W	R/W	R/W	R/W	R/W	R/W	R/W

- Caution**
1. When the POWERn bit is set, the rewriting of CCSGnm is prohibited
  2. When the POWERn bit and TMGn0E bit (TMGn1E bit) are set at the same time, the rewriting of the ALVGnm bits is prohibited.

**Table 13-6** OCTLGn register contents

Bit position	Bit name	Function
15, 11, 7, 3	SWFGnm	Fixes the TOGnm pin output level according to the setting of ALVGnm bit. 0: disable TOGnm to inactive level 1: enable TOGnm
14, 10, 6, 2	ALVGnm	Specifies the active level of the TGO nm pin output. 0: Active level is 0 1: Active level is 1  <b>Caution:</b> Don't write this bit, before ENFGn0 or ENFGn1 of TMGSTn is 0, so first clear TMGn0E or TMGn1E bit of the TMGMn register and check ENFGn0 or ENFGn1 bit before writing.
13, 9, 5, 1	CCSGnm	Specifies Capture/Compare mode selection: 0: Capture mode: if external edge is detected the INTCCGnm interrupt occurs, the corresponding counter value is written to GCCnm 1: Compare mode: if GCCnm matches with corresponding timebase the INTCCGnm interrupt occurs, if SWFGm is set the PWM output mode is set  <b>Caution:</b> Don't write this bit, before POWERn bit of TMGMnH is 0.

**(4) TMGSTn - Time base status register**

The TMGSTn register indicates the status of TMGn0 and TMGn1. For the CCFGny bit see “Operation in Free-Run Mode” on page 507.

**Access** This register can be read in 8-bit or 1-bit units.

**Address** <base> + 6<sub>H</sub>

**Initial Value** 00<sub>H</sub>. This register is cleared by any reset.

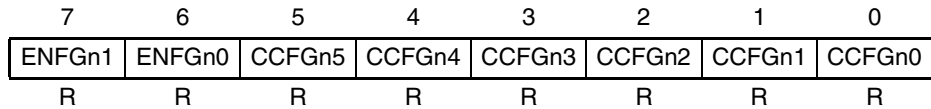


Table 13-7 TMGSTn register contents

Bit position	Bit name	Function
5 to 0	CCFGny	Indicates TMGn0 or TMGn1 overflow status. 0: No overflow 1: Overflow <hr/> <b>Caution:</b> The CCFGny bit is set if a TMGnx overflow has occurred between two capture input signals. This flag is only updated if the corresponding GCCny register was read, so first read the GCCny register and then read this flag if necessary <hr/>
7 to 6	ENFGnx	Indicates TMGnx operation. 0: indicates operation stopped 1: indicates operation

**(5) TMGn0, TMGn1 - Timer Gn 16-bit counter registers**

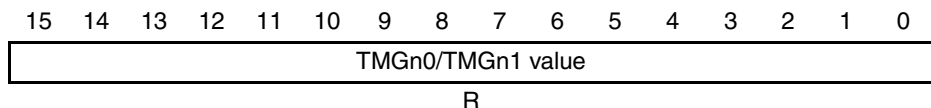
The features of the counters TMGn0 and TMGn1 are listed below:

- Free-running counter that enables counter clearing by compare match of registers GCCn0/GCCn5
- Counter clear can be set by software.
- Counter stop can be set by software.

**Access** These registers can be read in 16-bit units.

**Address** TMGn0: <base> + 8<sub>H</sub>  
 TMGn1: <base> + A<sub>H</sub>

**Initial Value** 0000<sub>H</sub>. This register is cleared by any reset.



**(6) GCCn0, GCCn5 - Timer Gn capture/compare registers of the 2 counters**

The GCCn0, GCCn5 registers are 16-bit capture/compare registers of Timer Gn. These registers are fixed assigned to the counter registers:

- GCCn0 is fixed assigned to timebase TMGn0
- GCCn5 is fixed assigned to timebase TMGn1

**Capture mode** In the *capture register mode*, GCCn0 (GCCn5) captures the TMGn0 (TMGn1) count value if an edge is detected at pin TIGn0 (TIGn5).

**Compare mode** In the *compare register mode*, GCCn0 (GCCn5) detects match with TMGn0 (TMGn1) and clears the assigned Timebase. So this “match and clear mode” is used to reduce the number of valid bits of the counter TMGn0 (TMGn1).

---

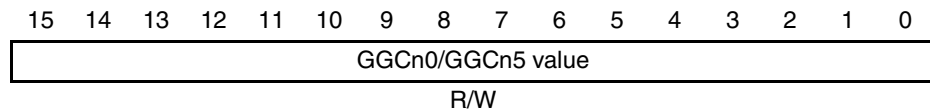
**Caution** If in Compare Mode write to this registers *before* POWERn and ENFGnx bit are "1" at the same time.

---

**Access** In capture mode, these registers can be read in 16-bit units.  
In compare mode, these registers can be read/written in 16-bit units.

**Address** GCCn0: <base> + C<sub>H</sub>  
GCCn5: <base> + 16<sub>H</sub>

**Initial Value** 0000<sub>H</sub>. These registers are cleared by any reset.



**(7) GCCn1 to GCCn4 - Timer G capture/compare registers with external PWW-output function**

The GCCn1 to GCCn4 registers are 16-bit capture/compare registers of Timer Gn. They can be assigned to one of the two counters either TMGn0 or TMGn1.

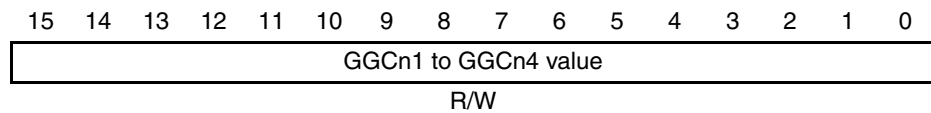
**Capture mode** In the capture register mode, these registers capture the value of TMGn0 when the TBGnm bit ( $m = 1$  to 4) of the TMGCMnH register = 0. When the TBGnm bit = 1, these registers hold the value of TMGn1.

**Compare mode** In compare mode, these registers represent the actual compare value and the TOGnm-Output ( $m = 1$  to 4) can generate a PWW if they are activated.

**Access** In capture mode, these registers can be read in 16-bit units.  
In compare mode, these registers can be read/written in 16-bit units.

**Address** GCCn1:  $\langle \text{base} \rangle + E_H$   
GCCn2:  $\langle \text{base} \rangle + 10_H$   
GCCn3:  $\langle \text{base} \rangle + 12_H$   
GCCn4:  $\langle \text{base} \rangle + 14_H$

**Initial Value**  $0000_H$ . These registers are cleared by any reset.



## 13.5 Output Delay Operation

When the OLDEn bit is set, different delays of count clock period are added to the TOGnm pins:

Output pin	Delay $1/f_{\text{COUNT}}$
TOGn1	0
TOGn2	1
TOGn3	2
TOGn4	3

The figure below shows the timing for the case where the count clock is set to  $f_{\text{SPCLK0}}/2$ . However, 0FFFH is set in GCCn0.

Similar delays are added also when a transition is made from the active to inactive level. So, a relative pulse width is guaranteed.

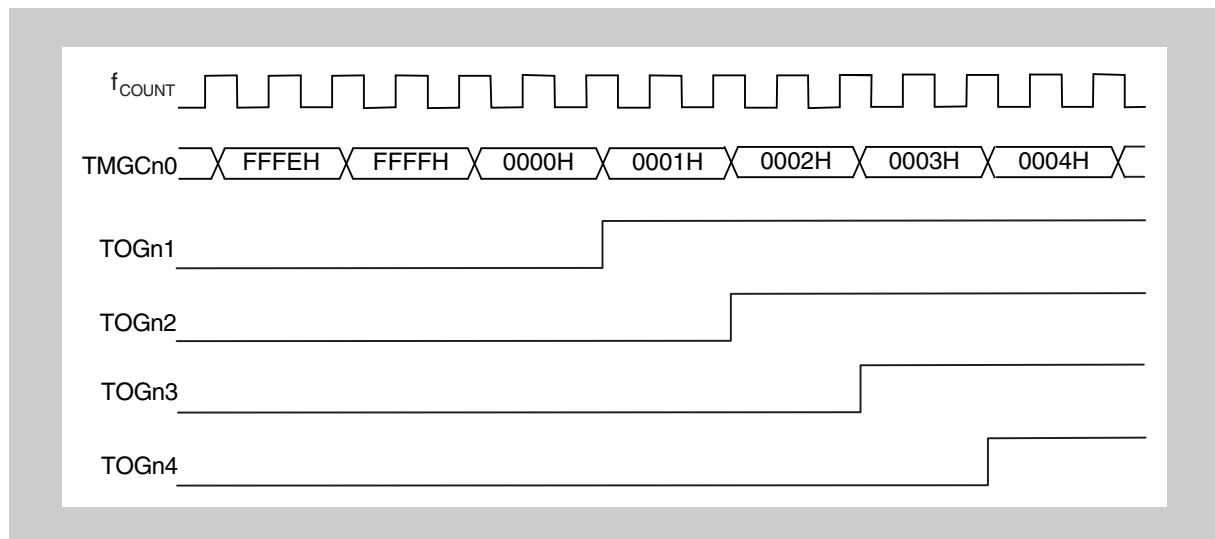


Figure 13-2 Timing of Output delay operation

In this case the count clock is set to  $f_{\text{SPCLK0}}/2$ .

## 13.6 Explanation of Basic Operation

### (1) Overview of the mode settings

The Timer Gn includes 2 channels of 16-bit counters (TMGn0/TMGn1), which can operate as independently timebases. TMGn0 (TMGn1) can be set by CCSGn0 bit (CCSGn5 bit) in the following modes:

- free-run mode
- match and clear mode

When a timer output (TOGnm) or INTCCGnm interrupt is used, one of the two counters can be selected by setting the TBGnm bit (m = 1 to 4) of the TMGCMHn register.

The tables below indicate the interrupt output and timer output states dependent on the register setting values.

**Table 13-8** Interrupt output and timer output states dependent on the register setting values

Register setting value				State of each output pin				
CCSGn0	TBGnm	SWFGnm	CCSGnm	INTTMGn0	INTCCGn0	INTCCGnm	TOGnm	
0 Free-run mode	0	0	0	Overflow interrupt	TIO edge detection	TIm edge detection	Tied to inactive level	
			1			GCCnm match		
		1	0			TIm edge detection	PWM (free run)	
			1			CMPGm match		
1 Match and clear mode		0	0	0	Overflow interrupt <sup>Note 1</sup>	GCCn0 match <sup>Note 2</sup>	TIm edge detection	Tied to inactive level
				1			GCCnm match	
		1	0	TIm edge detection			PWM (match and clear)	
			1	CMPGm match				

- Note**
1. An interrupt is generated only when the value of the GCCn0 register is FFFFH.
  2. An interrupt is generated only when the value of the GCCn0 register is not FFFFH.
  3. The setting of the CCSGnm bit in combination with the SWFGnm bit sets the mode for the timing of the actualization of new compare values.
    - In compare mode the new compare value will be immediately active.
    - In PWM mode the new compare value will be active first after the next overflow or match & clear of the assigned counter (TMGn0, TMGn1).



Table 13-9 Interrupt output and timer output states dependent on the register setting values

Register setting value				State of each output pin			
CCSGn5	TBGnm	SWFGnm	CCSGnm	INTTMGn1	INTCCGn5	INTCCGnm	TOGnm
0 Free-run mode	1	0	0	Overflow interrupt	TI5 edge detection	TIm edge detection	Tied to inactive level
			1			GCCnm match	
		1	0			TIm edge detection	
			1			CMPGm match	PWM (free run)
1 Match and clear mode		0	0	Overflow interrupt <sup>Note 1</sup>	GCCn5 match <sup>Note 2</sup>	TIm edge detection	Tied to inactive level
			1			GCCnm match	
		1	0			TIm edge detection	
			1			CMPGm match	PWM (match and clear)

- Note**
1. An interrupt is generated only when the value of the GCCn5 register is FFFFH.
  2. An interrupt is generated only when the value of the GCCn5 register is not FFFFH.
  3. The setting of the CCSGnm bit in combination with the SWFGnm bit sets the mode for the timing of the actualization of new compare values.
    - In compare mode the new compare value will be immediately active.
    - In PWM mode the new compare value will be active first after the next overflow or match & clear of the assigned counter (TMGn0, TMGn1).

## 13.7 Operation in Free-Run Mode

This operation mode is the standard mode for Timer Gn operations. In this mode the 2 counter TMGn0 and TMGn1 are counting up from 0000H to FFFFH, generates an overflow and start again. In the match and clear mode, which is described in Chapter 13.8 on page 518 the fixed assigned register GCCn0 (GCCn5) is used to reduce the bit-size of the counter TMGn0 (TMGn1).

### (1) Capture operation (free run)

Basic settings:

Bit	Value	Remark
CCSGn0	0	free run mode
CCSGn5	0	
SWFGnm	0	disable TOGnm
TBGnm	X	assign counter for GCCnm 0: TMGn0 1: TMGn1

**(a) Example: Pulse width or period measurement of the TIGny input signal (free run)****Capture setting method:**

- (1) When using one of the TOGn1 to TOGn4 pins, select the corresponding counter with the TBGnm bit. When TIGn0 is used, the corresponding counter is TMGn0. When TIGn5 is used, the corresponding counter is TMGn1.
- (2) Select a count clock cycle with the CSE12 to CSE10 bits (TMGn1) or CSE02 to CSE02 bits (TMGn0).
- (3) Select a valid TIGny edge with the IEGny1 and IEGny0 bits. A rising edge, falling edge, or both edges can be selected.
- (4) Start timer operation by setting POWERn bit and TMGn0E bit for TMGn0 or TMGn1E bit for TMGn1.

**Capture operation:**

- (1) When a specified edge is detected, the value of the counter is stored in GCCny and an edge detection interrupt (INTCCGny) is output.
- (2) When the counter overflows, an overflow interrupt (INTTMGn0 or INTTMGn1) is generated.
- (3) If an overflow has occurred between capture operations, the CCFGny flag is set when GCCny is read. Correct capture data by checking the value of CCFGny.

**Using CCFGny:**

When using GCCny as a capture register, use the procedure below.

- <1> After INTCCGny (edge detection interrupt) generation, read the corresponding GCCny register.
- <2> Check if the corresponding CCFGny bit of the TMGSTn register is set.
- <3> If the CCFGny bit is set, the counter was cleared from the previous captured value.

CCFGny is set when GCCny is read. So, after GCCny is read, the value of CCFGny should be read. Using the procedure above, the value of CCFGny corresponding to GCCny can be read normally.

---

**Caution** If two or more overflows occur between captures, a software-based measure needs to be taken to count overflow interrupts (INTTMGn0, INTTMGn1).

---

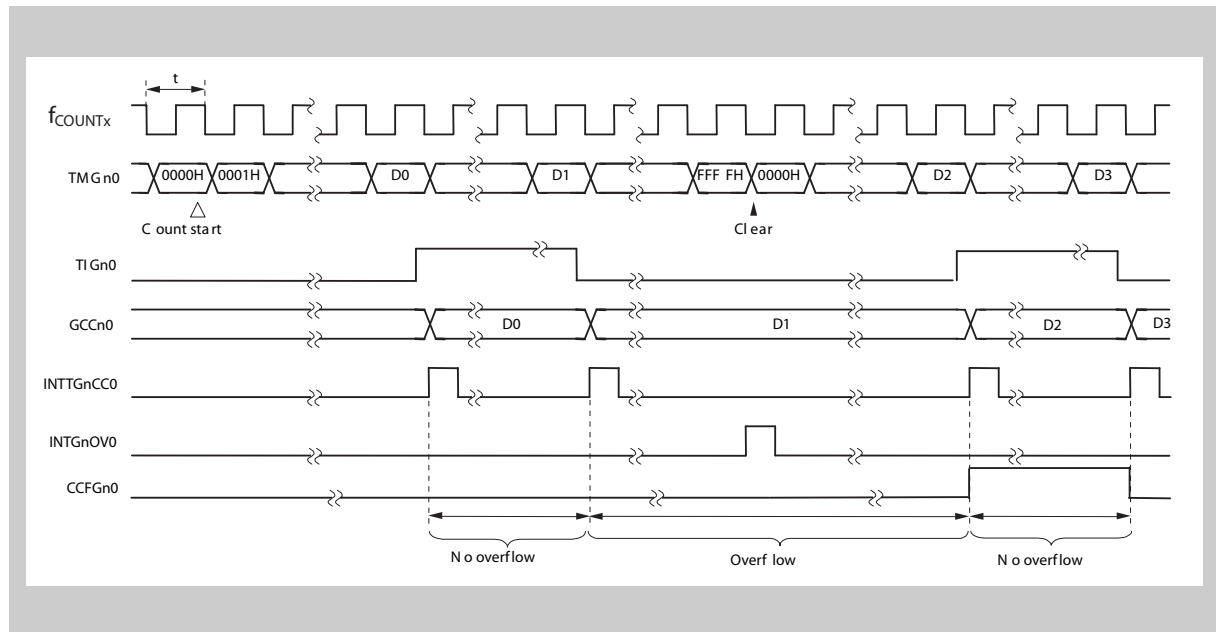


Figure 13-3 Timing when both edges of TIGn0 are valid (free run)

**Note** The figure above shows an image. In actual circuitry, 3 to 4 periods of the count-up signal are required from the input of a waveform to TIGn0 until a capture interrupt is output.

**(b) Timing of capture trigger edge detection**

The Tin inputs are fitted with an edge-detection and noise-elimination circuit.

Because of this circuit, 3 periods to less than 4 periods of the count clock are required from edge input until an interrupt signal is output and capture operation is performed. The timing chart is shown below.

Basic settings (x = 0, 1 and y = 0 to 5):

Bit	Value	Remark
CSEx2	0	Count clock = $f_{SPCLK0}/4$
CSEx1	1	
CSEx0	0	
IEGny1	1	detection of both edges
IEGny0	1	

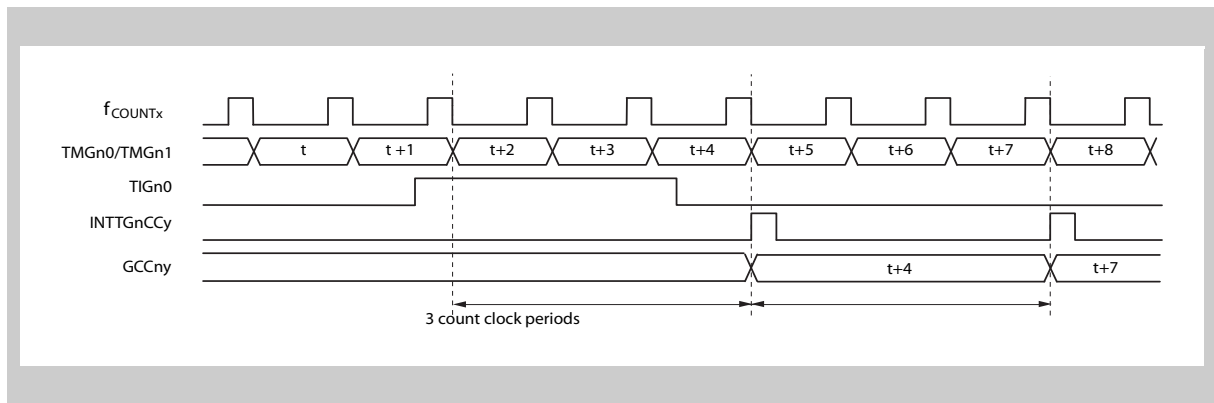


Figure 13-4 Timing of capture trigger edge detection (free run)

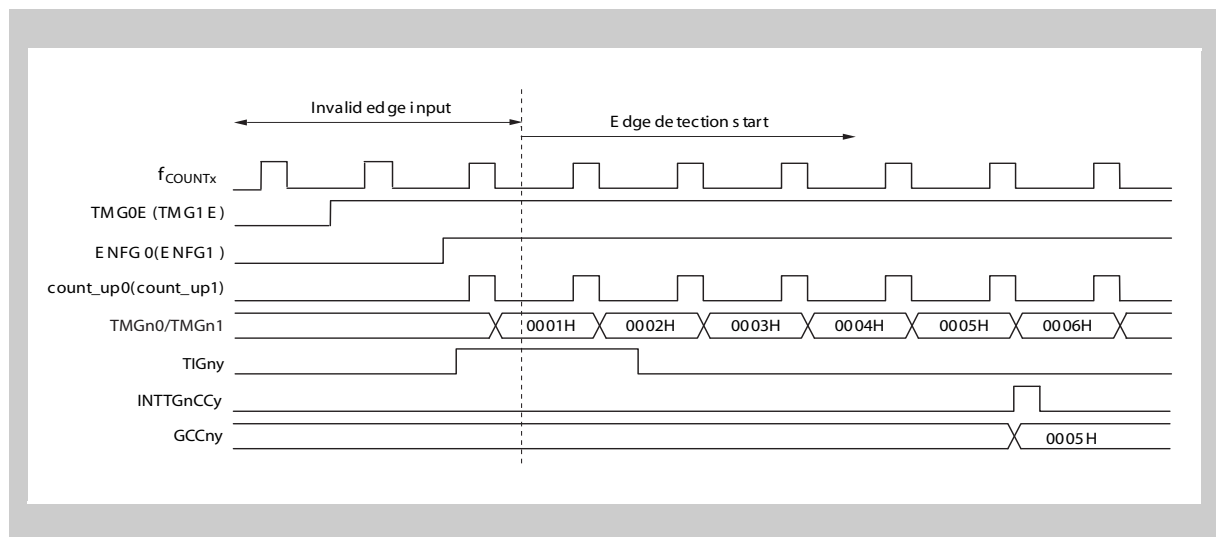
**(c) Timing of starting capture trigger edge detection**

A capture trigger input signal (TIGny) is synchronized in the noise eliminator for internal use.

Edge detection starts when 1 count clock period ( $f_{COUNT}$ ) has been input after timer count operation starts. (This is because masking is performed to prevent the initial TIGny level from being recognized as an edge by mistake.). The timing chart for starting edge detection is shown below.

Basic settings (x = 0, 1 and y = 0 to 5):

Bit	Value	Remark
CSEx2	0	Count clock = $f_{SPCLK0}/4$
CSEx1	1	
CSEx0	0	
IEGny1	1	detection of both edges
IEGny0	1	



**Figure 13-5** Timing of starting capture trigger edge detection

(2) Compare operation (free run)

Basic settings (m = 1 to 4):

Bit	Value	Remark
CCSGn0	0	free run mode
CCSGn5	0	
SWFGnm	0	disable TOGnm
CCSGnm	1	Compare mode for GCCnm
TBGnm	X	assign counter for GCCnm 0: TMGn0 1: TMGn1

(a) Example: Interval timer (free run)

Setting method interval timer:

- (1) An usable compare register is one of GCCn1 to GCCn4, and the corresponding counter (TMGn0 or TMGn1) must be selected with the TBGnm bit.
- (2) Select a count clock cycle with the CSE12 to CSE10 bits (TMGn1 register) or CSE02 to CSE00 bits (TMGn0 register).
- (3) Write data to GCCnm.
- (4) Start timer operation by setting POWERn and TMGn0E (or TMGn1E).

Compare Operation:

- (1) When the value of the counter matches the value of GCCnm (m = 0 to 4), a match interrupt (INTCCGnm) is output.
- (2) When the counter overflows, an overflow interrupt (INTTMGn0/INTTMGn1) is generated.

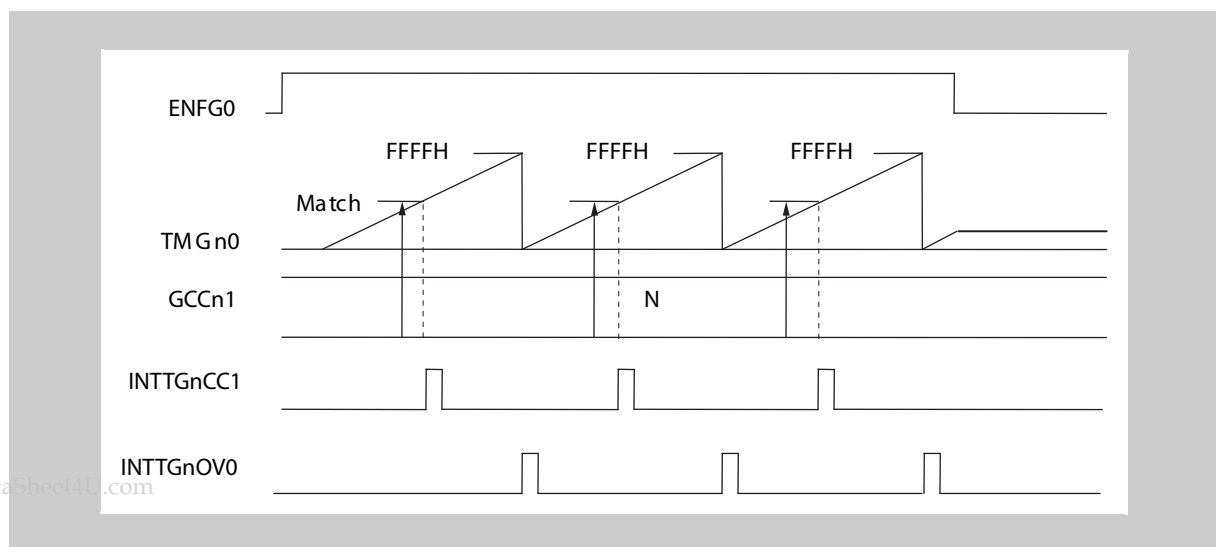


Figure 13-6 Timing of compare mode (free run)

Data N is set in GCCn1, and the counter TMGn0 is selected.

**(b) When the value 0000H is set in GCCnm**

INTCCGnm is activated when the value of the counter becomes 0001H.

INTTMGn0/INTTMGn1 is activated when the value of the counter changes from FFFFH to 0000H.

Note, however, that even if no data is set in GCCnm, INTCCGnm is activated immediately after the counter starts.

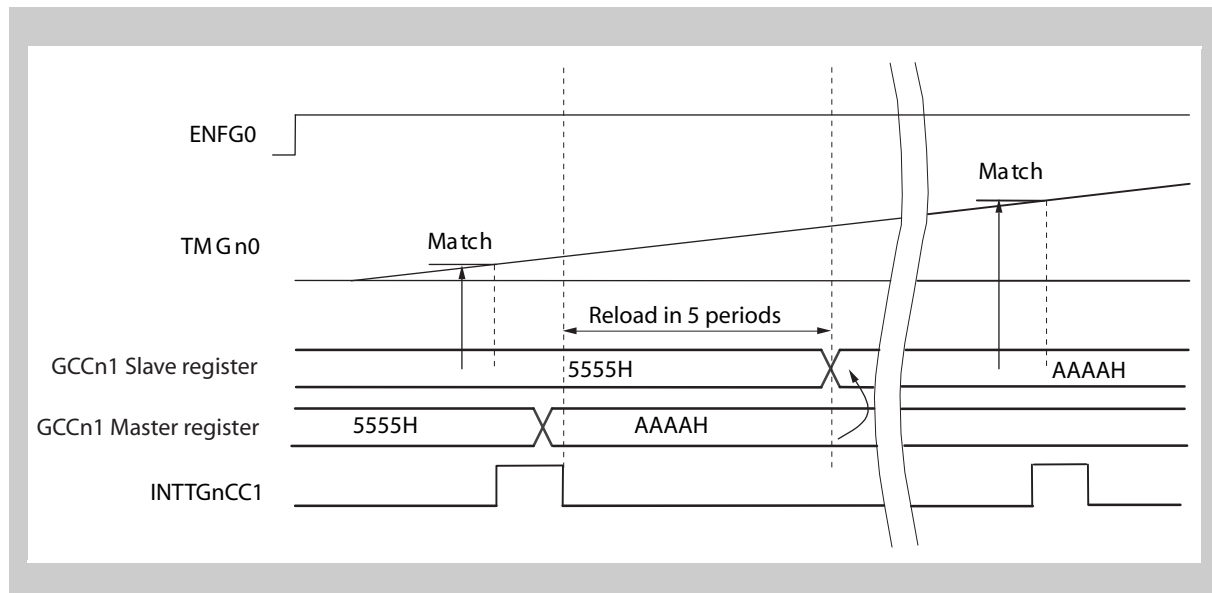
**(c) When the value FFFFH is set in GCCnm**

INTCCGnm and INTTMGn0/INTTMGn1 are activated when the value of the counter changes from FFFFH to 0000H.

**(d) When GCCnm is rewritten during operation**

When GCCn1 is rewritten from 5555H to AAAAH. TMGn0 is selected as the counter.

The following operation is performed:



**Figure 13-7** Timing when GCCn1 is rewritten during operation (free run)

**Caution** To perform successive write access during operation, for rewriting the GCCny register ( $n = 1$  to 4), you have to wait for minimum 7 peripheral clocks periods ( $f_{SPCLK0}$ ).

**(3) PWM output (free run)**

Basic settings (m = 1 to 4):

Bit	Value	Remark
CCSGn0	0	free run mode
CCSGn5	0	
SWFGnm	1 <sup>Note</sup>	enable TOGnm
CCSGnm	1 <sup>Note</sup>	Compare mode for GCCnm
TBGnm	X	assign counter for GCCnm 0: TMGn0 1: TMGn1

**Note** The PWM mode is activated by setting the SWFGnm and the CCSGnm bit to "1".

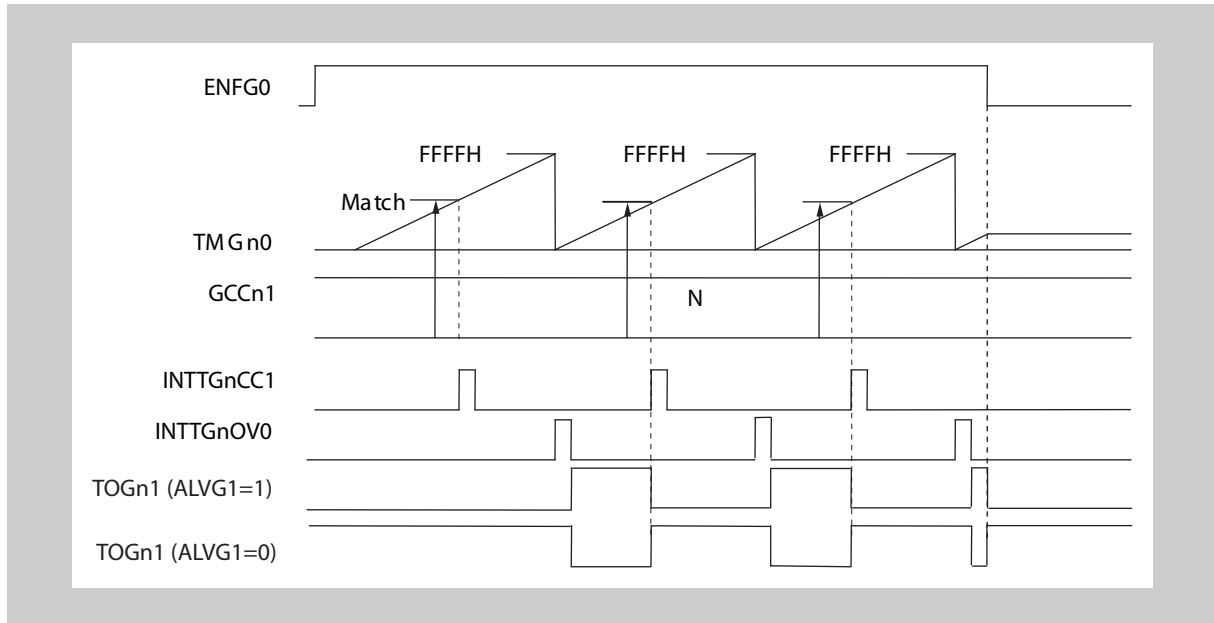
**PWM setting method:**

- (1) An usable compare register is one of GCCn1 to GCCn4, and the corresponding counter must be selected with the TBGnm bit.
- (2) Select a count clock cycle with the CSE12 to CSE10 bits (TMGn1 register) or CSE02 to CSE00 bits (TMGn0 register).
- (3) Specify the active level of a timer output (TOGnm pin) with the ALVGnm bit.
- (4) When using multiple timer outputs, the user can prevent TOGnm from becoming active simultaneously by setting the OLDEn bit of TMGMHn register to provide step-by-step delays for TOGnm. (This capability is useful for reducing noise and current.)
- (5) Write data to GCCnm.
- (6) Start timer operation by setting POWERn bit and TMGn0E bit (or TMGn1E bit).

**PWM operation:**

- (1) When the value of the counter matches the value of GCCnm, a match interrupt (INTCCGnm) is output.
- (2) When the counter overflows, an overflow interrupt (INTTMGn0 or INTTMGn1) is generated.
- (3) TOGnm does not make a transition until the first overflow occurs. (Even if the counter is cleared by software, TOGnm does not make a transition until the next overflow occurs. After the first overflow occurs, TOGnm is activated.)
- (4) When the value of the counter matches the value of GCCnm, TOGnm is deactivated, and a match interrupt (INTCCGnm) is output. The counter is not cleared, but continues count-up operation.
- (5) The counter overflows, and INTTMGn0 or INTTMGn1 is output to activate TOGnm. The counter resumes count-up operation starting with 0000H.





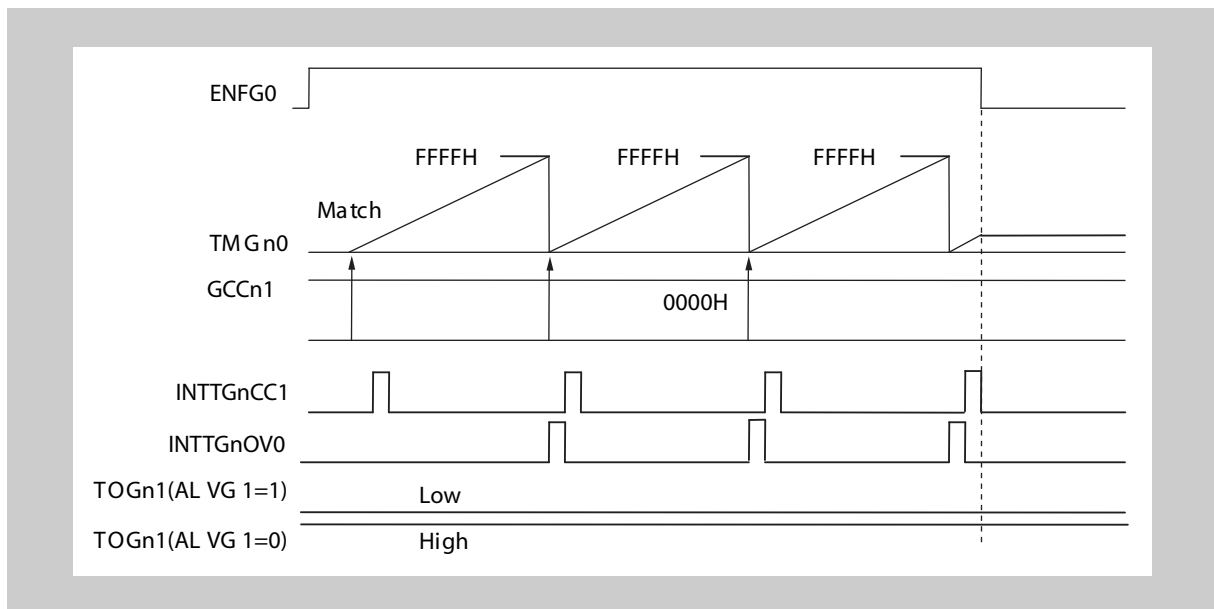
**Figure 13-8** Timing of PWM operation (free run)

Data N is set in GCCn1, counter TMGn0 is selected.

**(a) When 0000H is set in GCCnm (m = 1 to 4)**

When 0000H is set in GCCnm, TOGnm is tied to the inactive level.

The figure below shows the state of TOGn1 when 0000H is set in GCCn1, and TMGn0 is selected.



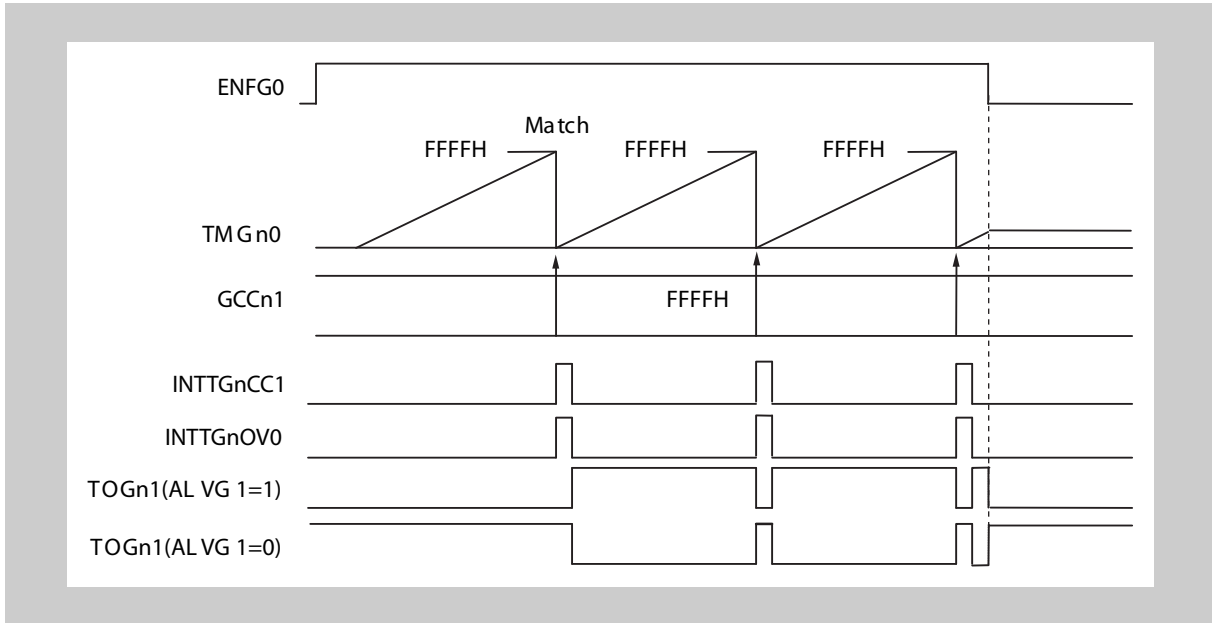
**Figure 13-9** Timing when 0000H is set in GCCnm (free run)

GCCn1 and TMGn0 are selected.

**(b) When FFFFH is set in GCCnm (m = 1 to 4)**

When FFFFH is set in GCCnm, TOGnm outputs the inactive level for one clock period immediately after each counter overflow (except the first overflow).

The figure shows the state of TOGn1 when FFFFH is set in GCCn1, and TMGn0 is selected.



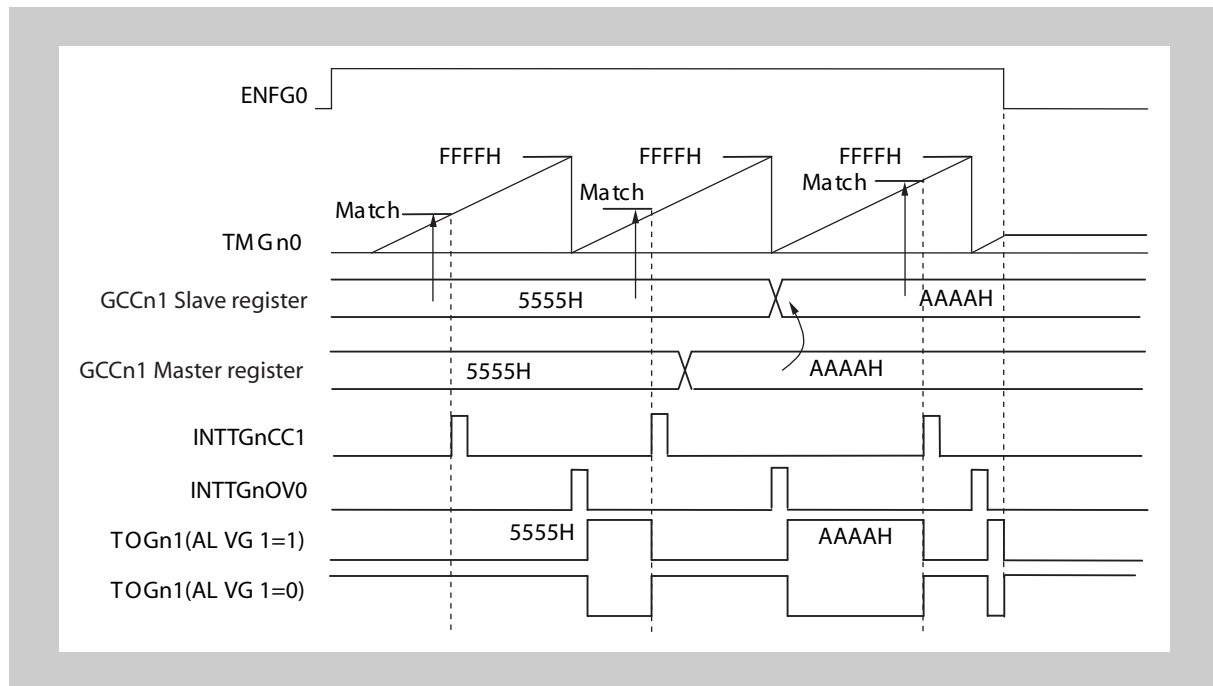
**Figure 13-10** Timing when FFFFH is set in GCCnm (free run)

GCCn1 and TMGn0 are selected.

**(c) When GCCnm is rewritten during operation (m = 1 to 4)**

When GCCn1 is rewritten from 5555H to AAAAH, the operation shown below is performed.

The figure below shows a case where TMGn0 is selected for GCCn1.



**Figure 13-11** Timing when GCCnm is rewritten during operation (free run)

GCCn1 and TMGn0 are selected.

If GCCn1 is rewritten to AAAAH after the second INTCCGn1 is generated as shown in the figure above, AAAAH is reloaded to the GCCn1 register when the next overflow occurs.

The next match interrupt (INTCCGn1) is generated when the value of the counter is AAAAH. The pulse width also matches accordingly.

## 13.8 Match and Clear Mode

The match and clear mode is mainly used reduce the number of valid bits of the counters (TMGn0, TMGn1).

Therefore the fixed assigned register GCCn0 (GCCn1) is used to compare its value with the counter TMGn0 (TMGn1). If the values match, than an interrupt is generated and the counter is cleared. Than the counter starts up counting again.

### (1) Capture operation (match and clear)

Basic settings (m = 1 to 4):

Bit	Value	Remark
CCSGn0	1	match and clear mode
CCSGn5	1	
SWFGnm	0	disable TOGnm
CCSGnm	0	Capture mode for GCCnm
TBGnm	X	assign counter for GCCnm 0: TMGn0 1: TMGn1

#### (a) Example: Pulse width measurement or period measurement of the TIGnm input signal

##### Setting method:

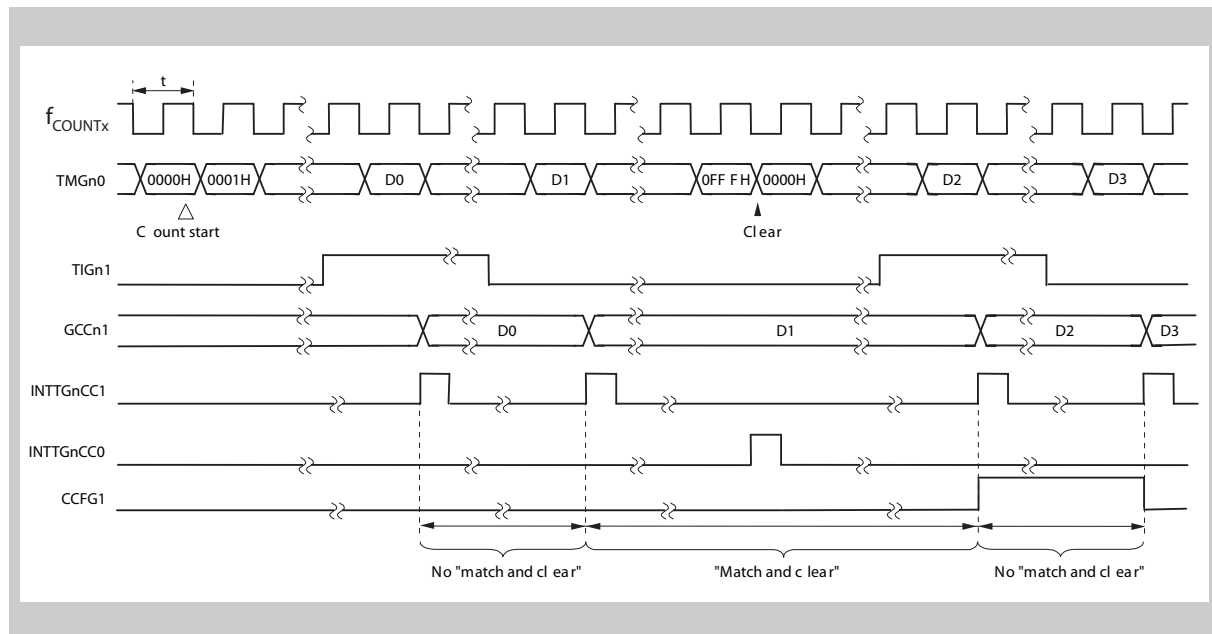
- (1) When using one of TOGn1 to TOGn4 pin, select the corresponding counter with the TBGnm bit. When CCSGn0 = 1, TI0 cannot be used. When CCSGn5 = 1, TIGn5 cannot be used.
- (2) Select a count clock cycle with the CSE12 to CSE10 (TMGn1) bits or CSE02 to CSE00 (TMGn0) bits.
- (3) Select a valid TIGnm edge with the IEGnm1 and IEGnm0 bit. A rising edge, falling edge, or both edges can be selected.
- (4) Set an upper limit on the value of the counter in GCCn0 or GCCn5.
- (5) Start timer operation by setting POWERn bit and TMGn0E bit (or TMGn1E bit).

##### Operation:

- (1) When a specified edge is detected, the value of the counter is stored in GCCnm, and an edge detection interrupt (INTCCGnm) is output.
- (2) When the value of GCCn0 or GCCn5 matches the value of the counter, INTCCGn0 (INTCCGn5) is output, and the counter is cleared. This operation is referred to as "match and clear".
- (3) If a match and clear event has occurred between capture operations, the CCFGny flag is set when GCCny is read. Correct capture data by checking the value of CCFGny.

**(b) Example: Capture where both edges of TIGnm are valid (match and clear)**

For the timing chart TMGn0 is selected as the counter corresponding to TOGn1, and 0FFFH is set in GCCn0.



**Figure 13-12** Timing when both edges of TIGnm are valid (match and clear)

**Note** The figure above shows an image. In actual circuitry, 3 to 4 periods of the count-up signal ( $f_{\text{COUNT}}$ ) are required from the input of a waveform to TOGn1 until a capture interrupt is output. (See *Figure 13-4* on page 510.)

**Caution** If two or more match and clear events occur between captures, a software-based measure needs to be taken to count INTCCGn0 or INTCCGn5.

**(c) When 0000H is set in GCCn0 or GCCn5 (match and clear)**

When 0000H is set in GCCn0 (GCCn5), the value of the counter is fixed at 0000H, and does not operate. Moreover, INTCCGn0 (INTCCGn5) continues to be active.

**(d) When FFFFH is set in GCCn0 or GCCn5 (match and clear)**

When FFFFH is set in GCCn0 (GCCn5), operation equivalent to the free-run mode is performed. When an overflow occurs, INTTMGn0 (INTTMGn1) is generated, but INTCCGn0 (INTCCGn5) is not generated.

**(2) Compare operation (match and clear)**

Basic settings (m = 1 to 4):

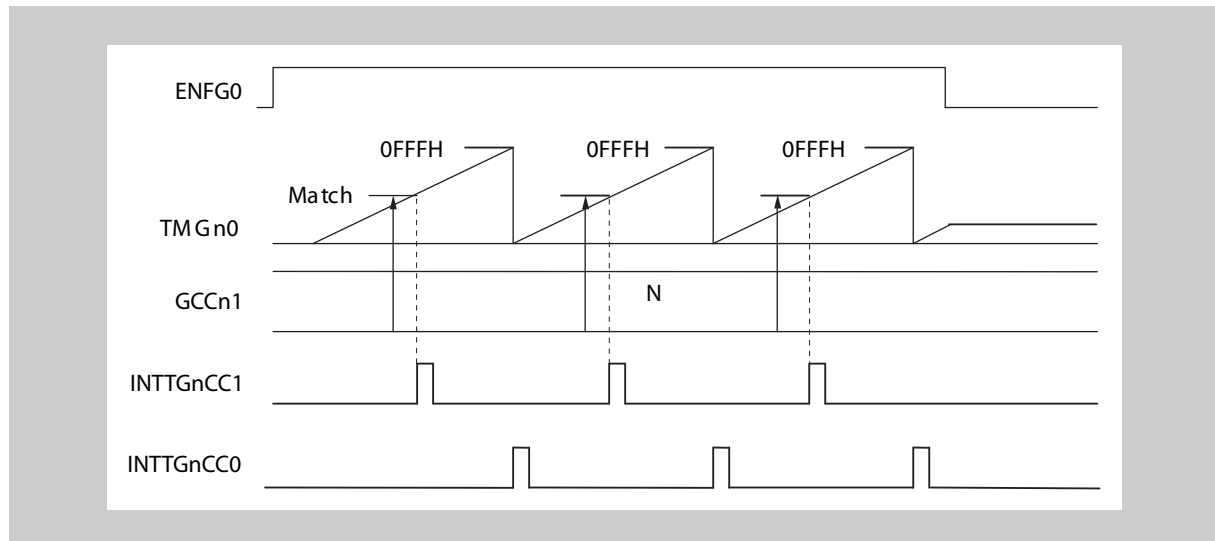
Bit	Value	Remark
CCSGn0	1	match and clear mode
CCSGn5	1	
SWFGnm	0	disable TOGnm
CCSGnm	1	Compare mode for GCCnm
TBGnm	X	assign counter for GCCnm 0: TMGn0 1: TMGn1

**(a) Example: Interval timer (match and clear)****Setting Method**

- (1) An usable compare register is one of GCCn1 to GCCn4, and the corresponding counter must be selected with the TBGnm bit.
- (2) Select a count clock cycle with the CSE12 to CSE10 bits (TMGn1) or CSE02 to CSE00 bits (TMGn0).
- (3) Set an upper limit on the value of the counter in GCCn0 or GCCn5.
- (4) Write data to GCCnm.
- (5) Start timer operation by setting the POWERn bit and TMGxE bit (x = 0, 1).

**Operation:**

- (1) When the value of the counter matches the value of GCCnm, a match interrupt (INTCCGnm) is output.
- (2) When the value of GCCn0 or GCCn5 matches the value of the counter, INTCCGn0 (or INTCCGn5) is output, and the counter is cleared. This operation is referred to as "match and clear".
- (3) The counter resumes count-up operation starting with 0000H.



**Figure 13-13** Timing of compare operation (match and clear)

In this example, the data N is set in GCCn1, and TMGn0 is selected. 0FFFH is set in GCCn0. Here,  $N < 0FFFH$ .

**(b) When 0000H is set in GCCn0 or GCCn5 (match and clear)**

When 0000H is set in GCCn0 or GCCn5, the value of the counter is fixed at 0000H, and does not operate. Moreover, INTCCGn0 (or INTCCGn5) continues to be active.

**(c) When FFFFH is set in GCCn0 or GCCn5 (match and clear)**

When FFFFH is set in GCCn0 or GCCn5, operation equivalent to the free-run mode is performed. When an overflow occurs, INTTMGn0 (or INTTMGn1) is generated, but INTCCGn0 (or INTCCGn5) is not generated.

**(d) When 0000H is set in GCCnm (m = 1 to 4) (match and clear)**

INTCCGnm is activated when the value of the counter becomes 0001H.

Note, however, that even if no data is set in GCCnm, INTCCGnm is activated immediately after the counter starts.

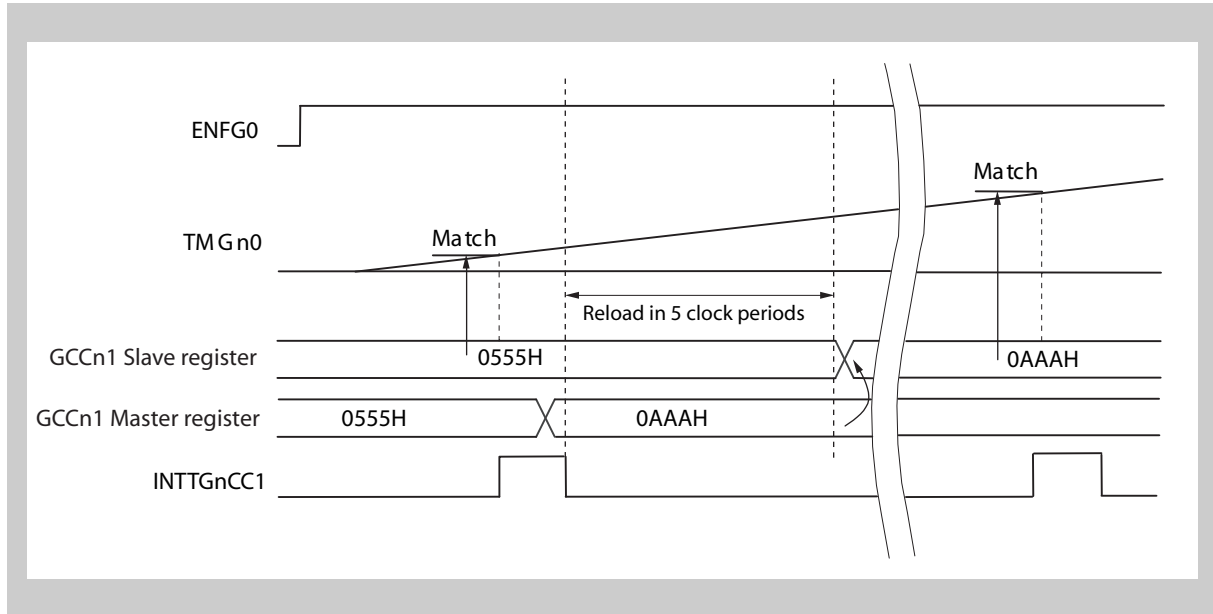
**(e) When a value exceeding the value of GCCn0 or GCCn5 is set in GCCnm (m = 1 to 4) (match and clear)**

INTCCGnm is not generated.

**(f) When GCCnm (m = 1 to 4) is rewritten during operation (match and clear)**

When the value of GCCn1 is changed from 0555H to 0AAAH, the operation described below is performed.

TMGn0 is selected as the counter, and 0FFFH is set in GCCn0.



**Figure 13-14** Timing when GCCnm is rewritten during operation (match and clear)

**Caution** To perform successive write access during operation, for rewriting the GCCny register, you have to wait for minimum 7 peripheral clocks periods ( $f_{SPCLK0}$ ).

**(3) PWM output (match and clear)**

Basic settings (m = 1 to 4):

Bit	Value	Remark
CCSGn0	1	match and clear mode
CCSGn5	1	
SWFGnm	1 <sup>Note</sup>	enable TOGnm
CCSGnm	1 <sup>Note</sup>	Compare mode for GCCnm
TBGnm	X	assign counter for GCCnm 0: TMGn0 1: TMGn1

**Note** The PWM mode is activated by setting the SWFGnm and the CCSGnm bit to "1".



**Setting Method:**

- (1) An usable compare register is one of GCCn1 to GCCn4, and the corresponding counters TMGn0 or TMGn1 must be selected with the TBGnm bit (m = 1 to 4).
- (2) Select a count clock cycle with the CSE12 to CSE10 (TMGn1) bits or CSE02 to CSE00 (TMGn0) bits.
- (3) Specify the active level of a timer output (TOGnm) with the ALVGnm bit.
- (4) When using multiple timer outputs, the user can prevent TOGnm from making transitions simultaneously by setting the OLDEn bit of TMGMHn register. (This capability is useful for reducing noise and current.)
- (5) Set an upper limit on the value of the counter in GCCn0 or GCCn5. (Timer Dn 0000H is forbidden)
- (6) Write data to GCCnm.
- (7) Start count operation by setting POWERn bit and TMGn0E bit (or TMGn1E bit).

**Operation of PWM (match and clear):**

- (1) When the value of the counter matches the value of GCCnm, a match interrupt (INTCCGnm) is output.

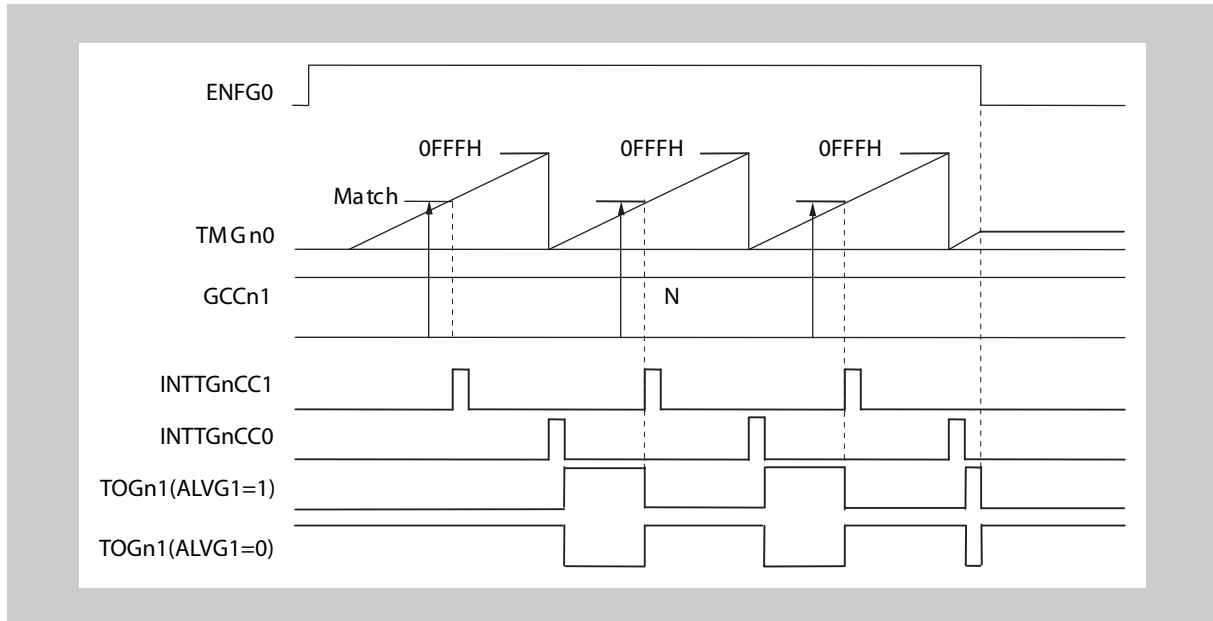
---

**Caution** Do not set 0000H in GCCn0 or GCCn5 in match and clear modus.

---

- (2) When the value of GCCn0 (GCCn5) matches the value of the counter, INTCCGn0 (INTCCGn5) is output, and the counter is cleared. This operation is referred to as "match and clear".
- (3) TOGnm does not make a transition until the first match and clear event.
- (4) TOGnm makes a transition to the active level after the first match and clear event.
- (5) When the value of the counter matches the value of GCCnm, TOGnm makes a transition to the inactive level, and a match interrupt (INTCCGnm) is output.
- (6) When the next match and clear event occurs, INTCCGn0 (INTCCGn5) is output, and the counter is cleared. The counter resumes count-up operation starting with 0000H.

Example where the data N is set, and the counter TMGn0 is selected.  
 0FFFH is set in GCCn0 and  $N < 0FFFH$ .



**Figure 13-15** Timing of PWM operation (match and clear)

When 0000H is set in GCCn0 (GCCn5), the value of the counter is fixed at 0000H, and the counter does not operate. The waveform of INTCCGn0 (INTCCGn5) varies, depending on whether the count clock is the reference clock or the sampling clock.

**(a) When FFFFH is set in GCCn0 or GCCn5 (match and clear)**

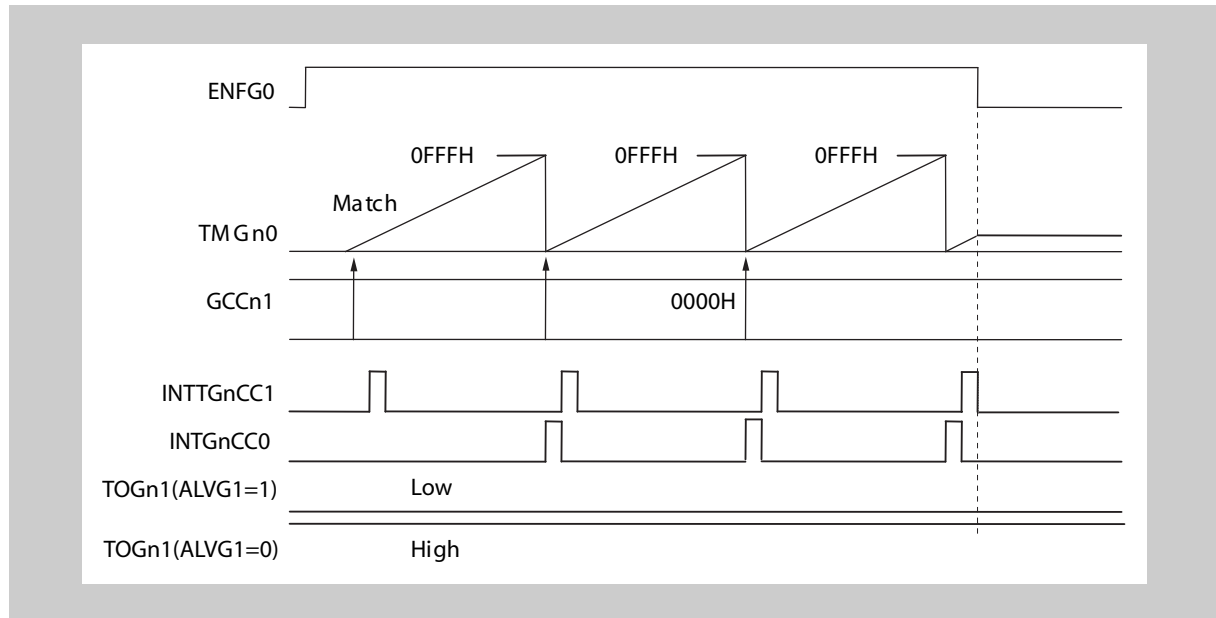
When FFFFH is set in GCCn0 (GCCn5), operation equivalent to the free-run mode is performed. When an overflow occurs, INTTMGn0 (INTTMGn1) is generated, but INTCCGn0 (INTCCGn5) is not generated.

**(b) When 0000H is set in GCCnm (match and clear)**

When 0000H is set in GCCnm, TOGnm is tied to the inactive level.

The figure below shows the state of TOGn1 when 0000H is set in GCCn1, and TMGn0 is selected.

Note, however, that 0FFFH is set in GCCn0.

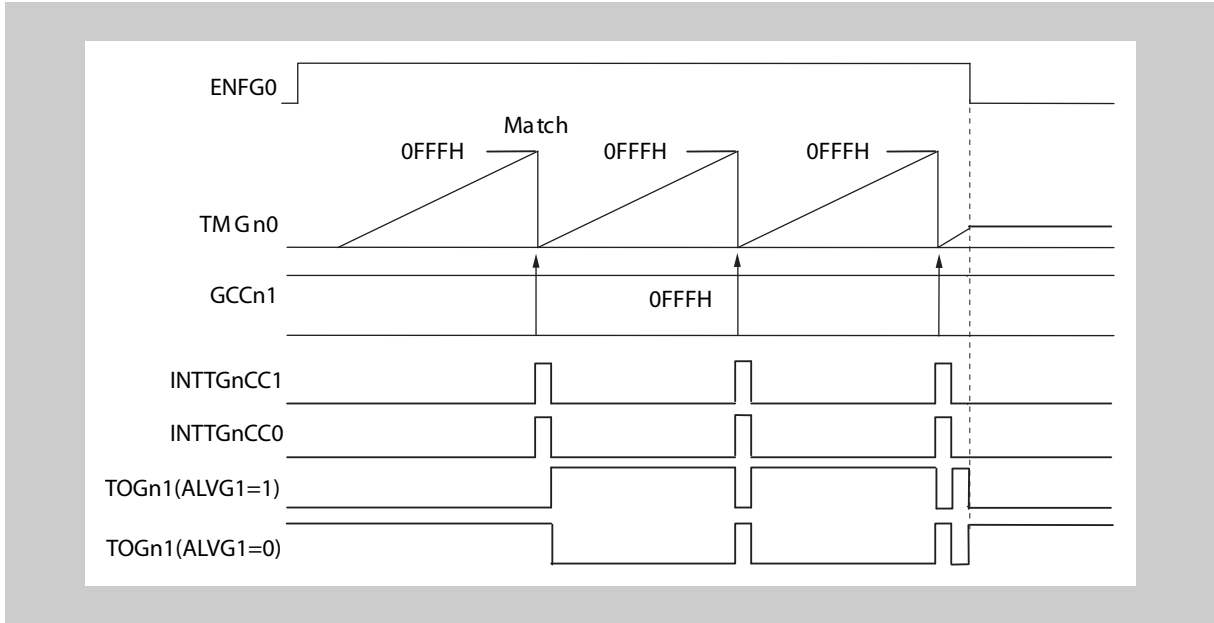


**Figure 13-16** Timing when 0000H is set in GCCnm (match and clear)

**(c) When the same value as set in GCCn0 or GCCn5 is set in GCCnm (match and clear)**

When the same value as set in GCCn0 (GCCn5) is set in GCCnm, TOGnm outputs the inactive level for only one clock period immediately after each match and clear event (excluding the first match and clear event).

The figure below shows the state of TOGn1 when 0FFFH is set in GCCn0 and GCCn1, and TMGn0 is selected.

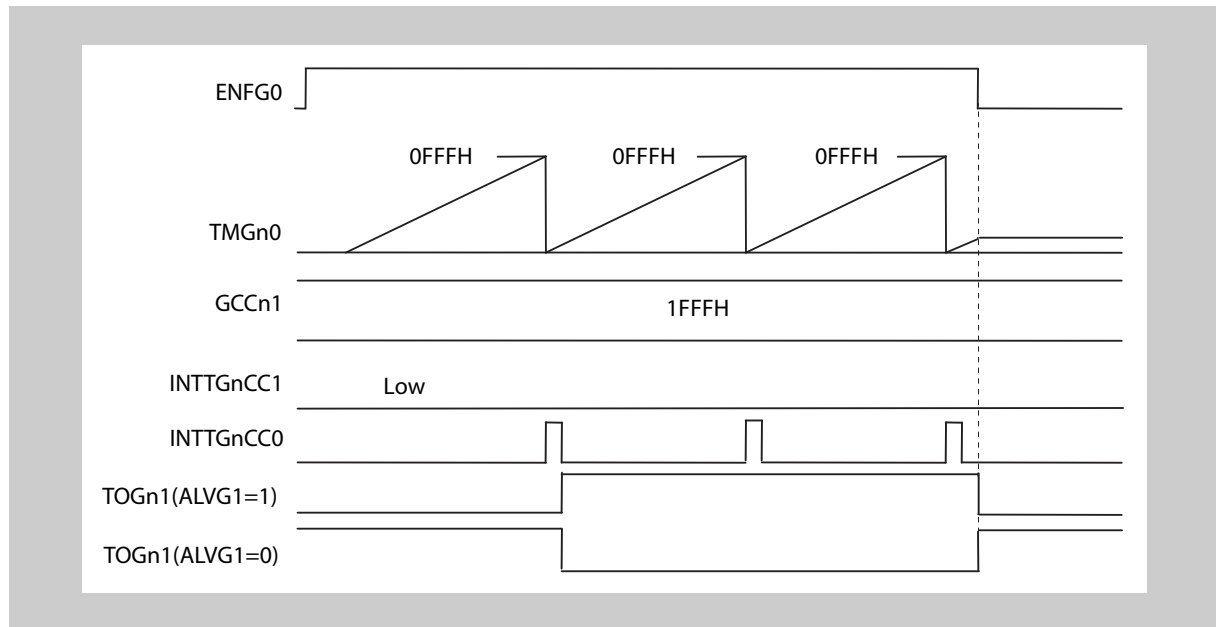


**Figure 13-17 Timing when the same value as set in GCCn0/GCCn5 is set in GCCnm (match and clear)**

**(d) When a value exceeding the value set in GCCn0 or GCCn5 is set in GCCnm (match and clear)**

When a value exceeding the value set in GCCn0 (GCCn5) is set in GCCnm, TOGnm starts and continues outputting the active level immediately after the first match and clear event (until count operation stops.)

The figure shows the state of TOGn1 when 0FFFH is set in GCCn0, 1FFFH is set in GCCn1, and TMGn0 is selected.

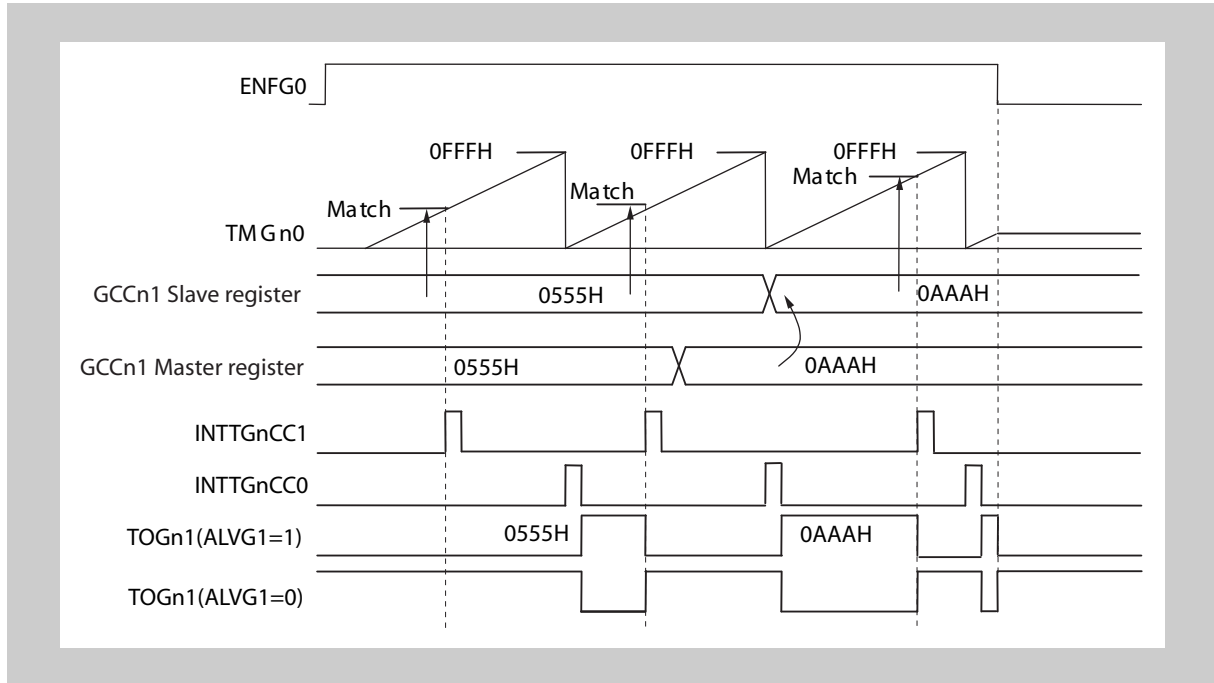


**Figure 13-18** Timing when the value of GCCnm exceeding GCCn0 or GCCn5 (match and clear)

**(e) When GCCnm is rewritten during operation (match and clear)**

When GCCn1 is rewritten from 0555H to 0AAAH, the operation shown below is performed.

The figure below shows a case where 0FFFH is set in GCCn0, and TMGn0 is selected for GCCn1.



**Figure 13-19 Timing when GCCnm is rewritten during operation (match and clear)**

If GCCn1 is rewritten to 0AAAH after the second INTCCGn1 is generated as shown in the figure above, 0AAAH is reloaded to the GCCn1 register when the next overflow occurs.

The next match interrupt (INTCCGn1) is generated when the value of the counter is 0AAAH. The pulse width also matches accordingly.

### 13.9 Edge Noise Elimination

The edge detection circuit has a noise elimination function. This function regards:

- a pulse **not wider than 1 count clock period** as a **noise**, and does not detect it as an edge.
- a pulse **not shorter than 2 count clock periods** is detected normally as an **edge**.
- a pulse **wider than 1 count clock period but shorter than 2 count clock periods** may be **detected as an edge or may be eliminated as noise**, depending on the timing.

(This is because the count-up signal of the counter is used for sampling timing.) The upper figure below shows the timing chart for performing edge detection. The lower figure below shows the timing chart for not performing edge detection.

Basic settings (x = 0, 1 and y = 0 to 5):

Bit	Value	Remark
CSEx2	0	Count clock = $f_{SPCLK0}/4$
CSEx1	1	
CSEx0	0	
IEGny1	1	detection of both edges
IEGny0	1	

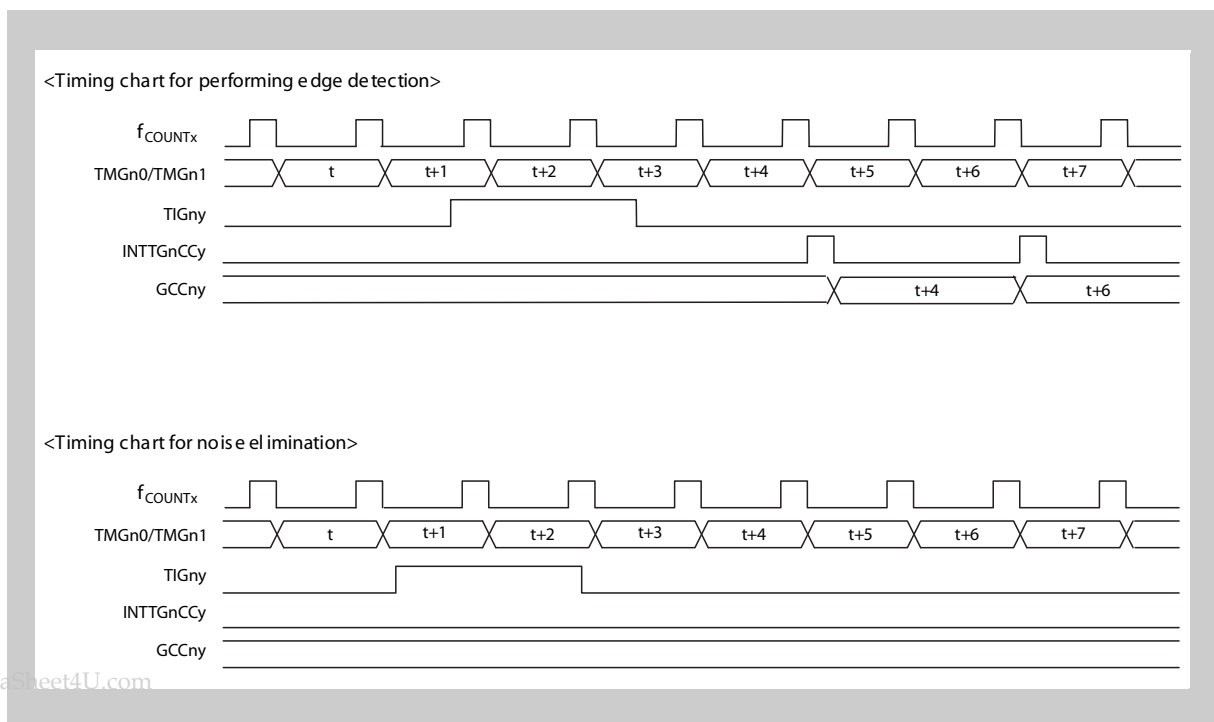


Figure 13-20 Timing of edge detection noise elimination

## 13.10 Precautions Timer Gn

### (1) When POWERn bit of TMGMHn register is set

The rewriting of the CSEn2 to CSEn0 bits of TMGMHn register is prohibited. These bits set the prescaler for the Timer Gn counter.

The rewriting of the CCSGny bits ( $y = 0$  to  $5$ ) is prohibited.

This bits (OCTLGnL and OCTLGnH registers) set the capture mode or the compare mode to the GCCy register. For the GCCn0 register and the GCCn5 register these bits (TMGMLn register) set the “free run” or “match and clear” mode of the TMGn0 and TMGn1 counter.

The rewriting of the TMGCMnL and the TMGCMHn register is prohibited.

These registers configure the counter (TMGn0 or TMGn1) for the GCCnm register ( $m = 1$  to  $4$ ) and define the edge detection for the TIGnm input pins (falling, rising, both).

Even when POWERn bit is set, TOGnm output is switched by switching the ALVGnm bit of OCTLGnL and OCTLGnH registers.

These bits configure the active level of the TOGnm pins ( $m = 1$  to  $4$ ).

### (2) When POWERn bit and TMGxE bit are set ( $x = 0, 1$ )

The rewriting of ALVGnm is prohibited ( $m = 1$  to  $4$ ).

These bits configure the active level of the TOGnm pins ( $m = 1$  to  $4$ ).

When in compare-mode the rewriting of the GCCn0 or GCCn5 register is prohibited.

In compare mode these registers set the value for the “match and clear” mode of the TMGn0 and TMGn1 counter.

### (3) Functionality

When the POWERn bit is set to “0”, regardless of the SWFGnm bit (OCTLGnL and OCTLGnH registers), the TOGnm pins are tied to the inactive level.

The SWFGnm bit enables or disables the output of the TOGnm pins. This bit can be rewritten during timer operation.

The CLRGx bit ( $x = 0, 1$ ) is a flag. If this bit is read, a “0” is read at all times.

This bit clears the corresponding counter (TMGn0 or TMGn1)

When GCCnm register ( $m = 1$  to  $4$ ) are used in capture operation:

If two or more overflows of TMGn0 or TMGn1 occur between captures, a software-based measure needs to be taken to count overflow interrupts (INTTMGn0 or INTTMGn1).



If only one overflow is necessary, the CCFGny bits ( $y = 0$  to  $5$ ) can be used for overflow detection.

Only the overflow of the TMGn0 or TMGn1 counter clears the CCFGny bit (TMGSTn register). The software-based clearing via CLRGn0 or CLRGn1 bit (TMGMLn register) doesn't affect these bits.

The CCFGny bit is set if a TMGn0 (TMGn1) overflow occurs. This flag is only updated if the corresponding GCCny register was read, so first read the GCCny register and then read this flag if necessary.

#### (4) Timing

The delay of each timer output TOGnm ( $m = 1$  to  $4$ ) varies according to the setting of the count clock with the CSEx2 to CSEx0 bits ( $x = 0, 1$ ).

In capture operation 3 to 4 periods of the count-clock ( $f_{\text{COUNT}}$ ) signal are required from the TIGny pin ( $y = 0$  to  $5$ ) until a capture interrupt is output.

When TMGxE ( $x = 0, 1$ ) is set earlier or simultaneously with POWERn bit, than the Timer Gn needs 7 peripheral clock periods ( $f_{\text{SPCLK0}}$ ) to start counting.

When TMGxE ( $x = 0, 1$ ) is set later than POWERn bit, than the Timer Gn needs 4 peripheral clock periods ( $f_{\text{SPCLK0}}$ ) to start counting.

When a capture register (GCCny) is read, the capturing is disabled during read operation. This is intended to prevent undefined data during reading. So, if a contention occurs between an external trigger signal and the read operation, capture operation may be cancelled, and old data may be read.

GCCnm register ( $m = 1$  to  $4$ ) in Compare mode:

After setting the POWERn bit you have to wait for 10 peripheral clock periods ( $f_{\text{SPCLK0}}$ ) to perform write access to the GCCnm register ( $m = 1$  to  $4$ ).

To perform successive write access during operation, for rewriting the GCCnm register, you have to wait for minimum 7 peripheral clock periods ( $f_{\text{SPCLK0}}$ ).



# Chapter 14 16-bit Timer Y (TMY)

Timer Y (TMY) is a two-stage 16-bit timer/counter.

The V850E/Dx3 microcontrollers have following instances of the two-stage 16-bit timer/counter TMY:

TMY	All devices
Instances	1
Names	TMY0

Throughout this chapter, the individual instances of TMY are identified by “n”, for example, TMYn, or TYNCTL for the TMYn control register.

## 14.1 Overview

Each Timer Y has two down-counters. They are named counter 0 and counter 1 and operate alternately. When counter 0 reaches zero, it starts counter 1 and waits until counter 1 expires. When counter 1 reaches zero, it restarts counter 0.

The TMY can be used as:

- Generator of a pulse width modulated (PWM) signal
- Generator of a pulse and frequency modulated (PFM) signal
- Interval timer
- Free running timer

**Features summary** Special features of the TMY are:

- One of six clocks can be selected, individually for each of the two counters
- Two reload registers, one for each counter
- Four readable counter registers, two for each counter
- One timer output pin
- When the device is in debug mode, the timer can be stopped at breakpoint

### 14.1.1 Description

The TMY is built up as illustrated below.

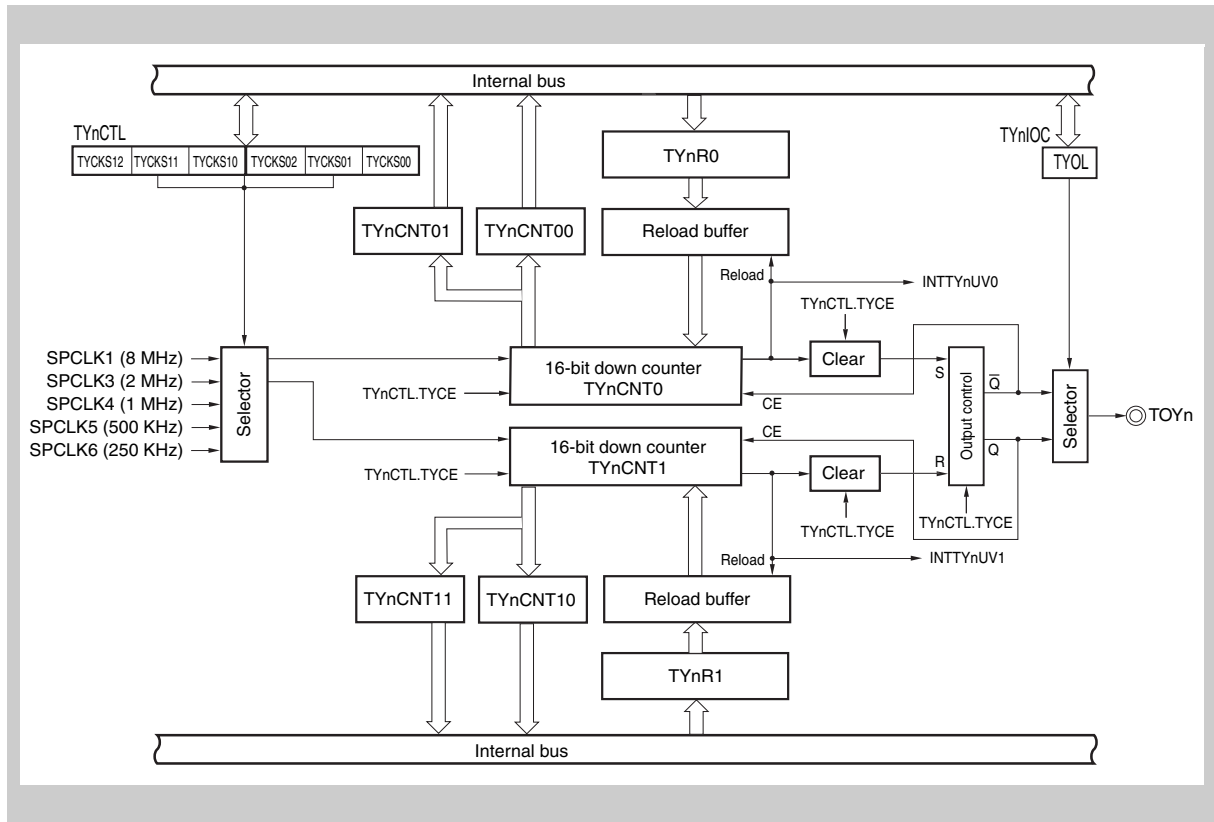


Figure 14-1 Block diagram of Timer Y (TMY<sub>n</sub>)

The control register T<sub>Yn</sub>CTL is used to choose the clock sources for the two counters and to enable the timer. The latter is done by setting bit T<sub>Yn</sub>CTL.TY<sub>n</sub>CE to 1.

The output pin TOY<sub>n</sub> provides the generated PWM or PFM signal. By default, the high-level time of that signal is determined by counter 1, the low-level time is determined by counter 0. However, the signal polarity can be inverted.

### 14.1.2 Principle of Operation

When TMY<sub>n</sub> is enabled, the down-counter 0 starts counting as soon as a non-zero value is written to the reload register TYnR0 and copied to the associated reload buffer.

When counter 0 reaches zero, it generates the maskable interrupt INTTYnUV0, reloads its start value from its reload buffer, and starts counter 1. In the figure above, this is indicated by the CE (count enable) feedback connection. After that, counter 0 waits for counter 1 to finish.

**Note** In order to avoid unintended timing of the output signal during the start-up phase, counter 1 needs a non-zero start value before counter 0 expires (underflows).

When counter 1 expires, it generates the maskable interrupt INTTYnUV1, reloads its start value from the reload buffer of register TYnR1, and restarts counter 0.

Four read-only registers provide the updated counter values. For details about these registers refer to “TYnCNTm0 - TMYn synchronized counter registers” on page 537 and “TYnCNTm1 - TMYn non-synchronized counter registers” on page 538

The output pin generates a rectangular signal that reflects the running times of both counters. The signal polarity can be chosen.

## 14.2 Registers

The timers Y are controlled and operated by means of the following registers:

Table 14-1 TMYn registers overview

Register name	Shortcut	Address
Timer Y synchronized counter 0 read register	TYnCNT00	<base>
Timer Y non-synchronized counter 0 read register	TYnCNT01	<base> + 2 <sub>H</sub>
Timer Y synchronized counter 1 read register	TYnCNT10	<base> + 4 <sub>H</sub>
Timer Y non-synchronized counter 1 read register	TYnCNT11	<base> + 6 <sub>H</sub>
Timer Y counter 0 reload register	TYnR0	<base> + 8 <sub>H</sub>
Timer Y counter 1 reload register	TYnR1	<base> + A <sub>H</sub>
Timer Y I/O control register	TYnIOC	<base> + C <sub>H</sub>
Timer Y control register	TYnCTL	<base> + D <sub>H</sub>

Table 14-2 TMYn register base address

Timer	Base address
TMY0	FFFF F580 <sub>H</sub>

**(1) TYnCTL - TMYn timer control register**

The 8-bit TYnCTL register controls the operation of the Timer Y.

**Access** This register can be read/written in 8-bit or 1-bit units.

**Address** <base> + D<sub>H</sub>

**Initial Value** 00<sub>H</sub>. This register is cleared by any reset.

7	6	5	4	3	2	1	0
TYnCE	0	TYnCKS12	TYnCKS11	TYnCKS10	TYnCKS02	TYnCKS01	TYnCKS00
R/W	R	R/W	R/W	R/W	R/W	R/W	R/W

**Table 14-3 TYnCTL register contents**

Bit position	Bit name	Function																												
7	TYnCE	Timer Y counter enable: 0: Disable count operation (the timer stops immediately with the count values 0000 <sub>H</sub> and does not operate). 1: Enable count operation (the timer starts when a non-zero start value is written to the register TYnR0 after TYnCTL.TYnCE = 1).																												
5 to 0	TYnCKSm[2:0]	Selects the clock of counter 0 and 1 <table border="1" style="margin-left: 20px;"> <thead> <tr> <th>TYnCKSm2</th> <th>TYnCKSm1</th> <th>TYnCKSm0</th> <th>Counter clock selection</th> </tr> </thead> <tbody> <tr> <td style="text-align: center;">0</td> <td style="text-align: center;">0</td> <td style="text-align: center;">0</td> <td>SPCLK1 (8 MHz)</td> </tr> <tr> <td style="text-align: center;">0</td> <td style="text-align: center;">1</td> <td style="text-align: center;">0</td> <td>SPCLK3 (2 MHz)</td> </tr> <tr> <td style="text-align: center;">0</td> <td style="text-align: center;">1</td> <td style="text-align: center;">1</td> <td>SPCLK4 (1 MHz)</td> </tr> <tr> <td style="text-align: center;">1</td> <td style="text-align: center;">0</td> <td style="text-align: center;">0</td> <td>SPCLK5 (500 KHz)</td> </tr> <tr> <td style="text-align: center;">1</td> <td style="text-align: center;">0</td> <td style="text-align: center;">1</td> <td>SPCLK6 (250 KHz)</td> </tr> <tr> <td colspan="3" style="text-align: center;">Others than above</td> <td>Setting prohibited</td> </tr> </tbody> </table>	TYnCKSm2	TYnCKSm1	TYnCKSm0	Counter clock selection	0	0	0	SPCLK1 (8 MHz)	0	1	0	SPCLK3 (2 MHz)	0	1	1	SPCLK4 (1 MHz)	1	0	0	SPCLK5 (500 KHz)	1	0	1	SPCLK6 (250 KHz)	Others than above			Setting prohibited
TYnCKSm2	TYnCKSm1	TYnCKSm0	Counter clock selection																											
0	0	0	SPCLK1 (8 MHz)																											
0	1	0	SPCLK3 (2 MHz)																											
0	1	1	SPCLK4 (1 MHz)																											
1	0	0	SPCLK5 (500 KHz)																											
1	0	1	SPCLK6 (250 KHz)																											
Others than above			Setting prohibited																											

- Note**
- m = 0 identifies counter 0; m = 1 identifies counter 1.
  - Change bits TYnCTL.TYnCKSm[2:0] only when TYnCTL.TYnCE = 0.

**(2) TYnIOC - TMYn I/O control register**

The TYnIOC register is an 8-bit register that controls the polarity of the timer output signal.

**Access** This register can be read/written in 8-bit or 1-bit units.

**Address** <base> + C<sub>H</sub>

**Initial Value** 00<sub>H</sub>. This register is cleared by any reset and by TynCTL.TYnCE = 0.

7	6	5	4	3	2	1	0
0	0	0	0	TYnOL	0	0	0
R	R	R	R	R/W	R	R	R

**Table 14-4 TYnIOC register contents**

Bit Position	Bit Name	Function
3	TYnOL	Timer Y output level control: 0: Normal: Counter 0 generates a rising edge upon underflow, counter 1 a falling edge. 1: Inverted: Counter 0 generates a falling edge upon underflow, counter 1 a rising edge.

**Note** Change TYnIOC.TYnOL only when the timer is enabled (TYnCTL.TYnCE = 1).

**(3) TYnCNTm0 - TMYn synchronized counter registers**

The TYnCNTm0 register is the synchronized register that can be used to read the value of the corresponding 16-bit counter m.

**Note** m = 0 identifies counter 0; m = 1 identifies counter 1.

“Synchronized” means that the read access via the internal bus is synchronized with the maximum counter clock (SPCLK1). The synchronization process may cause a delay, but the resulting value is reliable.

**Access** This register is read-only, in 16-bit units.

**Address** TYnCNT00: <base> of TMYn

TYnCNT10: <base> + 4<sub>H</sub>

**Initial Value** 0000<sub>H</sub>. This register is cleared by any reset and when TYnCTL.TYnCE = 0.

15	14	13	12	11	10	9	8	7	6	5	4	3	2	1	0
Updated counter value (synchronized)															
R															

**(4) TYnCNTm1 - TMYn non-synchronized counter registers**

The TYnCNTm1 register is the non-synchronized read register that can be used to read the present value of the concerned 16-bit counter m.

**Note** m = 0 identifies counter 0; m = 1 identifies counter 1.

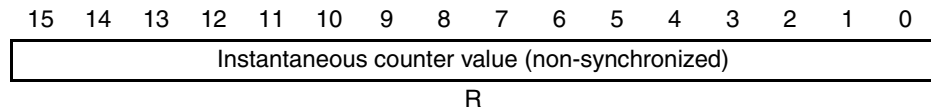
“Non-synchronized” means that the read access via the internal bus is not synchronized with the counter clock. The read operation returns the instantaneous value immediately, with the risk that this value is just being updated by the counter and therefore in doubt.

**Access** This register is read-only, in 16-bit units.

**Address** TYnCNT01: <base> + 2<sub>H</sub>

TYnCNT11: <base> + 6<sub>H</sub>

**Initial Value** 0000<sub>H</sub>. This register is cleared by any reset and when TYnCTL.TYnCE = 0.



**Note** The value read from this register can be incorrect, because the read access is not synchronized with the counter clock.

Therefore, this register shall be read multiple times within one period of the counter clock cycle.

If the difference between the first and the second value is not greater than one, you can consider the second value to be reliable. If the difference between the two values is greater than one, you have to read the register a third time and compare the third value with the second. Again, the difference must not be greater than one.

If the read accesses do not happen within one period of the counter clock cycle, the difference between the last two values will usually be greater than one. In this case, you can only repeat the procedure or estimate the updated counter value.



**(5) TYnRm - TMYn reload registers**

The TYnRm registers are two 16-bit registers for setting the reload value of the corresponding counters.

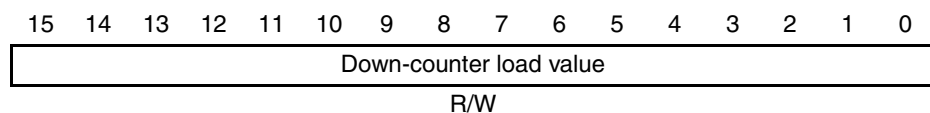
**Note** m = 0 identifies counter 0; m = 1 identifies counter 1.

**Access** These registers can be read/written in 16-bit units.

**Address** TYnR0: TMYn <base> + 8<sub>H</sub>

TYnR1: TMYn <base> + A<sub>H</sub>

**Initial Value** 0000<sub>H</sub>. This register is cleared by any reset and when bit TYnCTL.TYnCE = 0.



- Note**
1. TYnRm can only be written when bit TYnCTL.TYnCE = 1.
  2. To start the counters, the reload values for TYnR0 and TYnR1 must be greater than 1 (0002<sub>H</sub> ... FFFF<sub>H</sub>).
  3. To operate the timers in free running mode, set TYnRm to FFFF<sub>H</sub>.
  4. If the registers have been cleared, it is recommended to set TYnR1 first and then TYnR0.
  5. Once TMYn is enabled, its counter 0 starts as soon as a non-zero start value is written to register TYnR0. If this value is small (or the counter frequency high), counter 0 may quickly expire and start counter 1. If counter 1 has no start value at this point of time, it will simply wait until it gets one. This may lead to an unexpected initial delay of the output signal.

### 14.3 Timing

You can change the contents of the reload registers TYNRm at any time, provided TYNCTL.TYNCE is 1. However, the counters reload their start values when it reaches 0.

The following figure illustrates the timer operation.

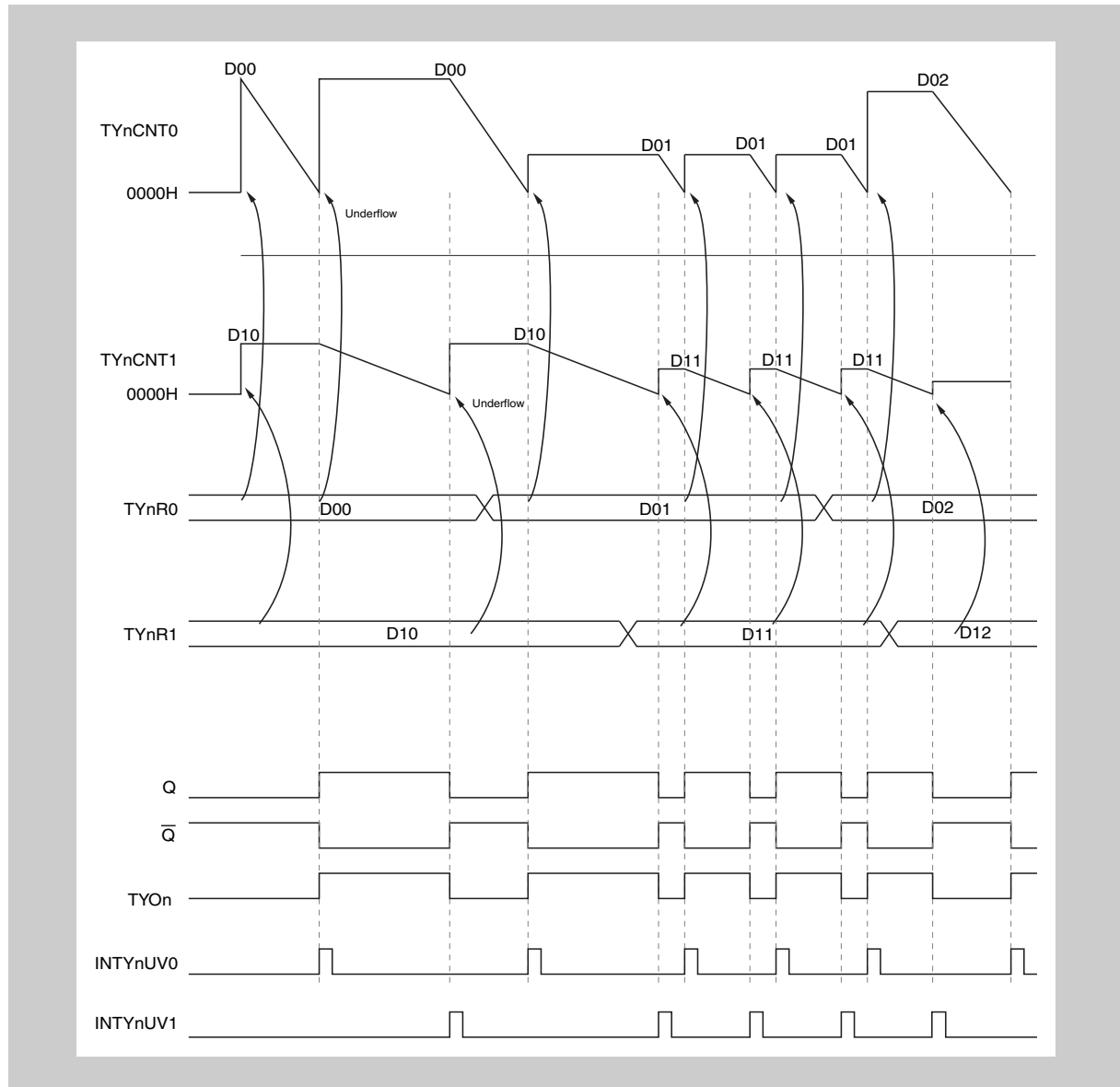


Figure 14-2 Timer Y Timing

D00, D01, and D02 are the load values for counter 0.

D10, D11, and D12 are the load values for counter 1.

The figure shows at which point in time the counters load their start values and how they alternate. The output signal at pin TOYn is shown in normal mode (bit TYNIOC.TYNOL = 0).

## 14.4 Output Timing Calculations

This section provides information on how to calculate the output pulse duration under various conditions.

**Caution** When specifying SPCLK3, SPCLK4, SPCLK5 or SPCLK6 as the count clock, a jitter of maximum  $\pm 1$  period of SPCLK1 may be applied to the TYnCNT0 and TYnCNT1 counter's count clock input.

The first interval, that means the time until the first underflow, after starting the counters can vary by one count clock period. Therefore, different equations are given for the first and all other intervals, where applicable.

The following symbols are used:

$T_{C0}$ ( $T_{C1}$ ) :	Running time of counter 0 (1)
$T_{PWM}$ :	Total PWM interval duration
$T_{PWM01}$ ( $T_{PWM10}$ ) :	PWM pulse length between INTTZnUV0 and INTTZnUV1 (INTTZnUV1 and INTTZnUV0)
[TYnR0], [TYnR1] :	Contents of TYnR0 (TYnR1), legal range 0001 <sub>H</sub> to FFFF <sub>H</sub> (1 to 65535)
[TYnCKs0], [TYnCKs1] :	Contents of TYnCTL[2:0] (TYnCTL[5:3]), legal range 0 to 5

### (1) Counter running times

Running time of counter 0 ( $T_{C0}$ ) and counter 1 ( $T_{C1}$ ):

- First interval:

$$\begin{aligned} ([TYnR0] \times 2^{[TYnCKs0]}) \times 1/f_{SPCLK1} &\leq T_{C0} \\ &\leq (([TYnR0] + 1) \times 2^{[TYnCKs0]}) \times 1/f_{SPCLK1} \end{aligned}$$

$$\begin{aligned} ([TYnR1] \times 2^{[TYnCKs1]}) \times 1/f_{SPCLK1} &\leq T_{C1} \\ &\leq (([TYnR1] + 1) \times 2^{[TYnCKs1]}) \times 1/f_{SPCLK1} \end{aligned}$$

- All following intervals:

$$T_{C0} = (([TYnR0] + 1) \times 2^{[TYnCKs0]}) \times 1/f_{SPCLK1}$$

$$T_{C1} = (([TYnR1] + 1) \times 2^{[TYnCKs1]}) \times 1/f_{SPCLK1}$$

**Example** If [TYnR0] = 255 and [TYnCKs0] = 5, it takes 8192 periods of SPCLK1 until counter 0 expires, i.e. 1024 ms with  $f_{SPCLK1} = 8$  MHz

**(2) Total PWM interval length**

$T_{PWM}$  is the time between two interrupts INTTznUV0 (or INTTznUV1).

If both counters use the *same clock* ( $[TYnCKs0] = [TYnCKs1]$ ):

- First interval:

$$\begin{aligned} & (([TYnR0] + [TYnR1]) \times 2^{[TYnCKs0]}) \times 1/f_{SPCLK1} \leq T_{PWM} \\ & \leq (([TYnR0] + [TYnR1] + 2) \times 2^{[TYnCKs0]}) \times 1/f_{SPCLK1} \end{aligned}$$

- All following intervals:

$$\begin{aligned} T_{PWM} &= (([TYnR0] + [TYnR1] + 2) \times 2^{[TYnCKs0]}) \times 1/f_{SPCLK1} = \\ & (T_{C0} + T_{C1}) \times 1/f_{SPCLK1} \end{aligned}$$

If both counters use *different clocks*:

$$\begin{aligned} & ([TYnR0] \times 2^{[TYnCKs0]} + [TYnR1]) \times 2^{[TYnCKs1]} + 2) \times 1/f_{SPCLK1} \leq T_{PWM} \\ & \leq (([TYnR0] + 1) \times 2^{[TYnCKs0]} + ([TYnR1] + 1) \times 2^{[TYnCKs1]} + 4) \times 1/ \\ & f_{SPCLK1} \end{aligned}$$

**(3) Pulse width  $T_{PWM01}$  between INTTYnUV0 and INTTYnUV1**

If both counters use the *same clock* ( $[TYnCKs0] = [TYnCKs1]$ ):

- First interval:

$$\begin{aligned} & ([TYnR1] \times 2^{[TYnCKs1]}) \times 1/f_{SPCLK1} \leq T_{PWM01} \\ & \leq (([TYnR1] + 1) \times 2^{[TYnCKs1]}) \times 1/f_{SPCLK1} \end{aligned}$$

- All following intervals:

$$T_{PWM01} = ([TYnR1] + 1) \times 2^{[TYnCKs1]}$$

If both counters use *different clocks*:

$$\begin{aligned} & ([TYnR1] \times 2^{[TYnCKs1]} + 1) \times 1/f_{SPCLK1} \leq T_{PWM01} \\ & \leq (([TYnR1] + 1) \times 2^{[TYnCKs1]} + 2) \times 1/f_{SPCLK1} \end{aligned}$$

**Example** If  $[TYnR1] = 255$  and  $[TYnCKs1] = 2$ , then

- $[TYnR1] \times 2^{[TYnCKs1]} = 1020$
- $([TYnR1] + 1) \times 2^{[TYnCKs1]} = 1024$
- $T_{PWM01}$  is between 1021 and 1026 periods of SPCLK1, i.e. between 127,625  $\mu$ s and 128,5  $\mu$ s with  $f_{SPCLK1} = 8$  MHz

**(4) Pulse width  $T_{PWM10}$  between INTTYnUV1 and INTTYnUV0**

If both counters use the *same clock* ( $[TYnCKs0] = [TYnCKs1]$ ):

- First interval:

$$\begin{aligned} & ([TYnR0] \times 2^{[TYnCKs0]}) \times 1/f_{SPCLK1} \leq T_{PWM10} \\ & \leq (([TYnR0] + 1) \times 2^{[TYnCKs0]}) \times 1/f_{SPCLK1} \end{aligned}$$

- All following intervals:

$$T_{\text{PWM10}} = ([\text{TYnR0}] + 1) \times 2^{[\text{TYnCKS0}]} \times 1/f_{\text{SPCLK1}}$$

If both counters use *different clocks*:

$$([\text{TYnR0}] \times 2^{[\text{TYnCKS0}] + 1}) \times 1/f_{\text{SPCLK1}} \leq T_{\text{PWM10}} \\ \leq ([\text{TYnR0}] + 1) \times 2^{[\text{TYnCKS0}] + 2} \times 1/f_{\text{SPCLK1}}$$



# Chapter 15 Watch Timer (WT)

The Watch Timer (WT) generates interrupts at regular time intervals. These interrupts are generally used as ticks for updating the internal daytime and calendar.

The Watch Timer includes two identical counters. Throughout this chapter, the counters are identified as WT $n$ , where  $n = 0$  to 1.

## 15.1 Overview

The Watch Timer consists of two 16-bit down-counters, WT0 and WT1, and includes the Watch Calibration Timer WCT.

**WT0** The load value that must be set for WT0 depends on the chosen clock frequency and the desired time interval between two interrupts.

For example, WT0 can be set up to generate an interrupt every second (INTWT0UV).

During normal operation, the clock of WT0 (WTCLK) is directly derived from the precision main oscillator. It bypasses the PLL and SSCG.

However, the WTCLK can also be derived from the sub or internal oscillator. This is useful if the main oscillator is switched off in order to save power.

**WT1** WT1 is clocked by the interrupts generated by WT0. It can, for example, generate an interrupt every hour (or whatever wake-up time is required).

This interrupt (INTWT1UV) can be used to escape from Sub-WATCH mode and hence to revive the main oscillator if necessary.

**WCT** The sub or internal oscillators used in Sub\_WATCH mode are not as stable as the main oscillator. The time between two WT0 interrupts may be slightly shorter or longer than desired.

Therefore a third timer - the Watch Calibration Timer (WCT) - can be used occasionally to measure the time between two interrupts INTWT0UV.

WCT requires the main oscillator clock for this measurement. Its clock, WCTCLK, always stops if the main oscillator stops, that means if STOP mode or Sub-WATCH mode are entered.

Based on the measurement result, a new load value for WT0 can be calculated. This is the solution to regain precise intervals between WT0 interrupts. After the adjustment of WT0, the system can return to Sub-WATCH mode where the main oscillator is stopped.

**Features summary** Special features of the Watch Timer are:

- Periodic interrupts (clock ticks) generated by two down-counters
- Two reload registers, one for each counter
- Choice of oscillators to reduce power consumption in stand-by mode
- Can operate in all power save modes
- Clock correction in stand-by mode by means of the Watch Calibration Timer
- In debug mode, the counters WT0 and WT1 can be stopped at breakpoint

Special features of the Watch Calibration Timer are:

- 16-bit counter register TM00
- 16-bit capture / compare register CR001
- Capture / trigger input for INTWT0UV with edge specification for INTWT0UV interval measurement
- Capture / match interrupt request signal INTTM01



### 15.1.1 Description

The following figure shows the structure of the Watch Timer and its connection to the Watch Calibration Timer.

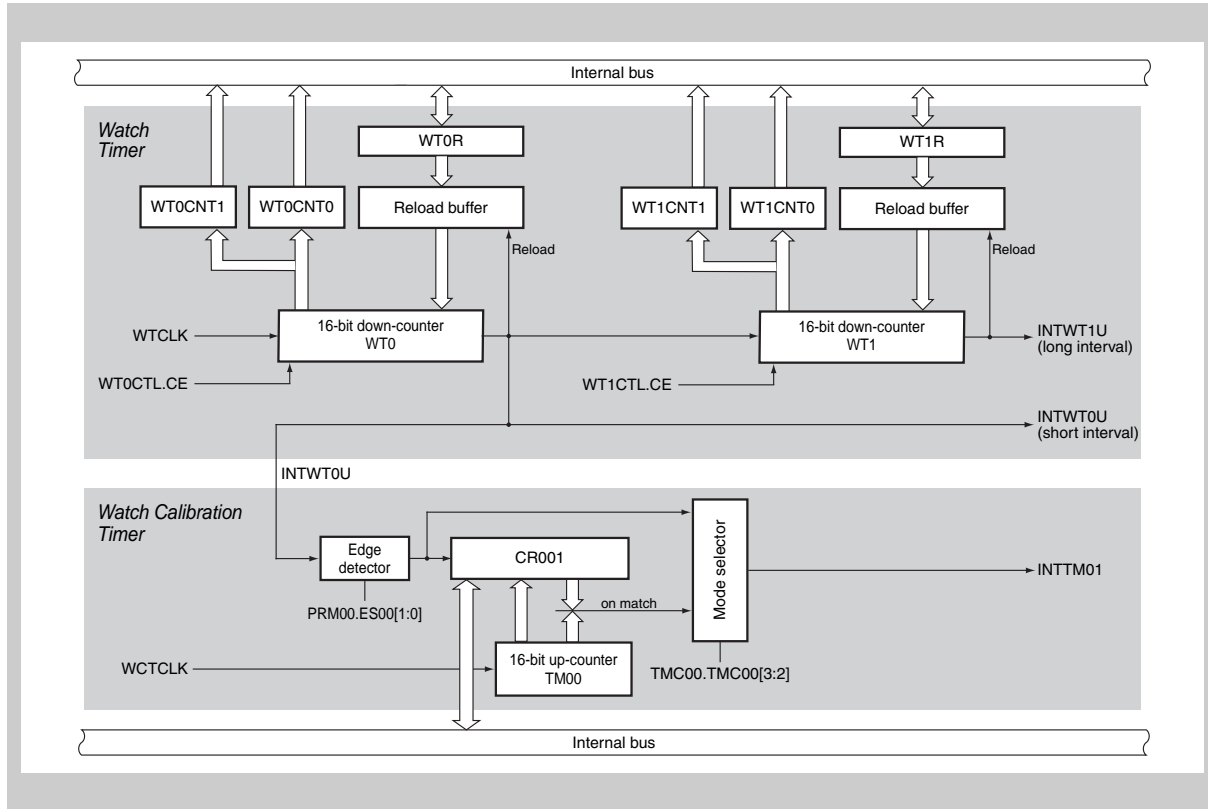


Figure 15-1 Watch Timer configuration

As shown in the figure, WT0 is clocked by WTCLK, a clock generated by the Clock Generator. When WT0 counts down to zero, it generates the INTWT0UV interrupt.

WT1 is clocked by the interrupts INTWT0UV. When WT1 reaches zero, it generates the interrupt INTWT1UV.

Two control registers WTnCTL are used to enable the counters. This is done by setting WTnCTL.WTCE to 1.

As soon as the counters are enabled, it is possible to write a start value to the reload registers WT0R and WT1R.

WCT is a capture/compare timer. In this application, it measures the time between two INTWT0UV interrupts. It is clocked by WCTCLK, another clock generated by the Clock Generator.

### 15.1.2 Principle of operation

In order to generate an interrupt every one or two seconds, WTCLK is usually set to a frequency around 30 KHz. Then, a load value around  $2^{15}$  will yield a running time of about 1 s.

#### (1) Operation control of WT0

The source and frequency of WTCLK are specified in the Clock Generator register TCC.

The Clock Generator contains a programmable frequency divider that makes it possible to scale down the selected clock source.

**Note** WTCLK uses the same clock source and clock divider as the LCD Controller/Driver clock LCDCLK. The frequency  $f_{WTCLK}$  can be the same as  $f_{LCDCLK}$  or  $f_{LCDCLK} / 2$ . For details refer to “Clock Generator” on page 139.

Typical settings and the resulting maximum time interval between two interrupts are listed in the table below.

**Table 15-1 Typical Settings of WTCLK**

Clock source	Clock divider setting	WTCLK Frequency	Max. period of INTWT0UV <sup>a</sup>
4 MHz main osc.	1 / 128	31.25 KHz	2.097 s
32 kHz sub osc.	1	32.768 KHz (typ.)	2.0 s
240 kHz internal osc.	1 / 8	30 KHz (typ.)	2.184533 s

<sup>a)</sup> The maximum period corresponds to a counter load value of  $2^{16} - 1$ .

Note that you can double the maximum period by setting TCC.WTSEL1 to 1.

The clock input can be disabled (WT0CTL.WTCE = 0). This stops the Watch Timer. After reset, the timer is also stopped.

When WT0 is enabled and a non-zero reload value is specified, the counter decreases with every rising edge of WTCLK. When the counter reaches zero, the interrupt INTWT0UV is active high for one clock cycle. Upon undeflow, i.e. with the next clock, the timer reloads its start value and resumes down-counting. The load value can be freely chosen

#### (2) Operation of WT1

Once WT1 is enabled and a non-zero reload value is specified, its counter decreases with every interrupt INTWT0UV.

When WT1 reaches zero, it generates the interrupt INTWT1UV. Upon undeflow, i.e. with the next clock, the timer reloads its load value and restarts down-counting. The load value can be freely chosen.

Starting WT1 requires some attention. For further details refer to “Watch Timer start-up” on page 555.

**(3) Operation of WCT**

The third counter WCT is used for clock correction. This counter is connected to PCLK1 (8 MHz) or directly to the 4 MHz main oscillator. It is used to measure the time between two INTWT0UV requests.

For this measurement, WCT is configured as a capture timer.

Once it is enabled, the WCT counter is increased with every rising edge of its clock. When the value  $FFFF_H$  is reached, the counter sets a flag and restarts with  $0000_H$ .

The interrupt INTWT0UV from counter WT0 triggers the capture operation. At every INTWT0UV, the count value is captured, and the interrupt INTTM01 is generated. From the counter difference between two consecutive capture events, the accuracy of the WTCLK can be measured, and WT0 or WT1, respectively, can be corrected.

The WCT can be programmed to restart counting after the capture operation.

**Note** The WCT detects the valid edge of INTWT0UV by sampling its input signal (the INTWT0UV interrupt line) with WCTCLK. The capture operation is only performed if the same level after a valid edge is detected two times in series.

As a consequence, the time interval measurement will only work correctly if  $f_{WTCLK} < f_{WCTCLK} / 2$ .

## 15.2 Watch Timer Registers

The Watch Timer counters WT0 and WT1 are controlled and operated by means of the following registers:

Table 15-2 WTn registers overview

Register name	Shortcut	Address
Watch timer synchronized read register	WTnCNT0	<base>
Watch timer non-synchronized read register	WTnCNT1	<base> + 2 <sub>H</sub>
Watch timer reload register	WTnR	<base> + 4 <sub>H</sub>
Watch timer control register	WTnCTL	<base> + 6 <sub>H</sub>

Table 15-3 WTn register base addresses

Timer	Base address
WT0	FFFF F560 <sub>H</sub>
WT1	FFFF F570 <sub>H</sub>

### (1) WTnCTL - WTn timer control register

The 8-bit WTnCTL register controls the operation of the timer WTn.

**Access** This register can be read/written in 8-bit or 1-bit units.

**Address** <base> + 6<sub>H</sub>

**Initial Value** 00<sub>H</sub>. This register is cleared by any reset.

	7	6	5	4	3	2	1	0
WTCE	0	0	0	0	0	0	0	0
	R/W	R	R	R	R	R	R	R

Table 15-4 WTnCTL register contents

Bit position	Bit name	Function
7	WTCE	Watch timer counter enable: 0: Disable count operation (the timer stops immediately with the count value 0000 <sub>H</sub> and does not operate). 1: Enable count operation.

- Note**
- If WTnCTL.WTCE is 1, the counter starts after the counter's load value has been written to the reload register WTnR. As long as WTnR is zero, no counting is performed, and no interrupts INTWTnUV are generated.
  - The first interval from counter start to the first underflow takes at least four clock cycles more than the following intervals. For details refer to "Watch Timer start-up" on page 555.

**(2) WTnCNT0 - WTn synchronized counter register**

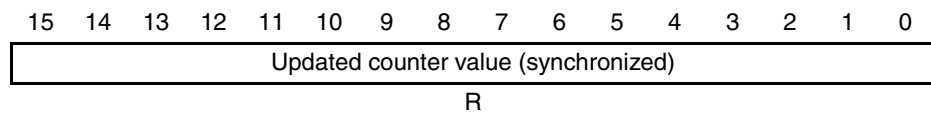
The WTnCNT0 register is the synchronized register that can be used to read the present value of the 16-bit counter.

“Synchronized” means that the read access via the internal bus is synchronized with the counter clock. The synchronization process causes a delay, but the resulting value is reliable.

**Access** This register is read-only, in 16-bit units.

**Address** <base> of WTn

**Initial Value** 0000<sub>H</sub>. This register is cleared by any reset and if WTnCTL.WTCE = 0.



**Note** Due to the low frequencies of the counter clocks, the synchronization can take about up to two WTCLK. For a quick response, it is recommended to read the non-synchronized counter register WTnCNT1.

**(3) WTnCNT1 - WTn non-synchronized counter read register**

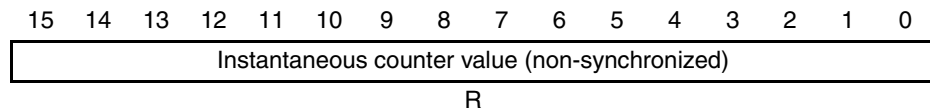
The WTnCNT1 register is the non-synchronized register that can be used to read the present value of the corresponding 16-bit counter.

“Non-synchronized” means that the read access via the internal bus is not synchronized with the counter clock. It returns the instantaneous value immediately, with the risk that this value is just being updated by the counter and therefore in doubt.

**Access** This register is read-only, in 16-bit units.

**Address** <base> + 2<sub>H</sub>

**Initial Value** 0000<sub>H</sub>. This register is cleared by any reset and if WTnCTL.WTCE = 0.



**Note** The value read from this register can be incorrect, because the read access is not synchronized with the counter clock.

Therefore, this register shall be read multiple times within one period of the counter clock cycle.

If the difference between the first and the second value is not greater than one, you can consider the second value to be correct. If the difference between the two values is greater than one, you have to read the register a third time and compare the third value with the second. Again, the difference must not be greater than one.

If the read accesses do not happen within one period of the counter clock cycle, the difference between the last two values will be greater than one. In this case, you can only repeat the procedure or estimate the updated counter value.

Reading the counter value via WTnCNT1 instead of WTnCNT0 is only reasonable if the CPU clock is remarkably higher than WTCLK and the overhead of multiple reading WTnCNT1 is justifiable.

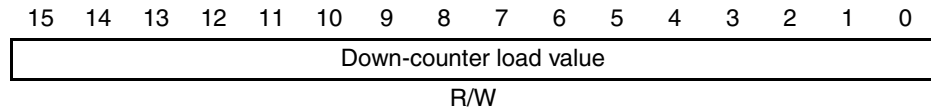
**(4) WTnR - WTn reload register**

The WTnR register is a dedicated register for setting the reload value of the corresponding counter.

**Access** This register can be read/written in 16-bit units.

**Address** <base> + 4<sub>H</sub>

**Initial Value** 0000<sub>H</sub>. This register is cleared by any reset and if WTnCTL.WTCE = 0.



- Note**
1. WTnR can only be written if WTnCTL.WTCE = 1 (counter enabled).
  2. The load value must be non-zero (0001<sub>H</sub> ...FFFF<sub>H</sub>).
  3. The contents of this register is automatically copied to the reload buffer. The counters load their values from the respective buffers at underflow. To ensure correct operation, this register shall not be written twice within three cycles of the counter clock. A second write attempt within that time span is ignored.  
This time span of three cycles of the counter clock is stalled and not cleared if WTnCTL.WTCE is cleared to 0. After restarting the counter by setting WTnCTL.WTCE back to 1, the time span will continue to elapse, but the counter will not be started automatically.
  4. The value read from WTnR is the target start value. It is not necessarily identical with the current start value that is stored in the reload buffer. The buffer may not yet be updated.

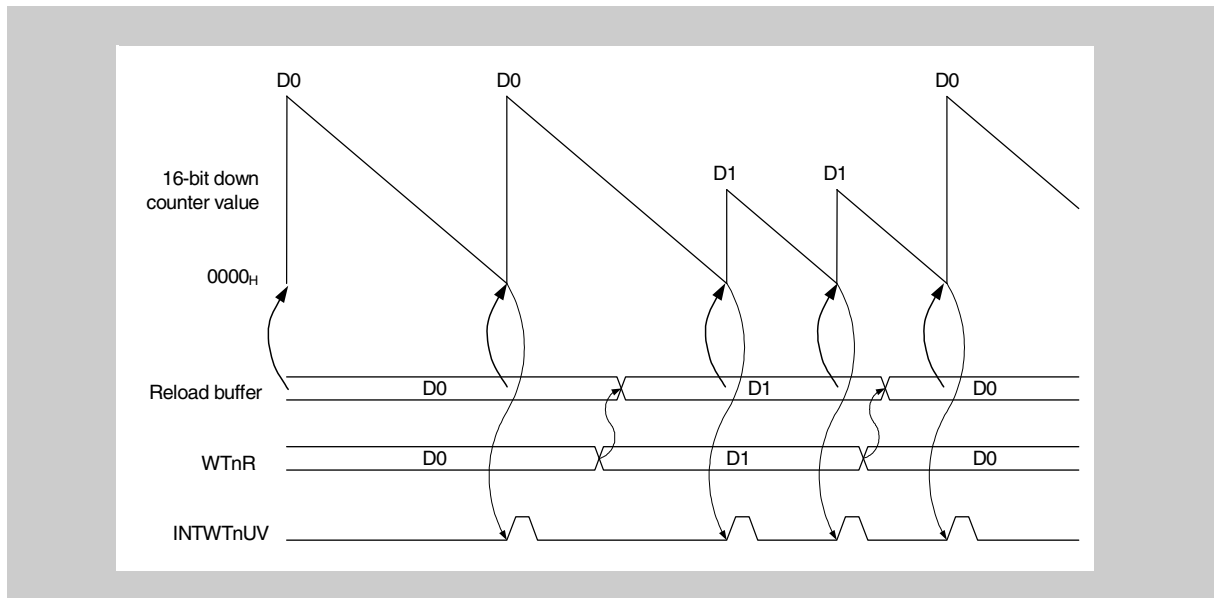
## 15.3 Watch Timer Operation

This section describes the operation of the Watch Timer counters in detail.

### 15.3.1 Timing of steady operation

The contents of the reload registers  $WTnR$  can be changed at any time, provided the corresponding counter is enabled. The contents is then copied to the reload buffer. The counters  $WTn$  reload their start value from the buffer upon underflow.

This is illustrated in the following figure.



**Figure 15-2** Reload timing and interrupt generation

$D0$  and  $D1$  are two different reload values.

Note also that there is a delay between writing to  $WTnR$  and making the data available in the reload buffer, depending on the previous reload value and the chosen count clock.



### 15.3.2 Watch Timer start-up

The first interval after starting WT0 and WT1 until their first underflow takes at least four additional input clock cycles. At this point in time, the values of the counter registers WTnCNT are not correct.

After the first automatic reload of the WTnR value, the counter registers WTnCNT hold the correct number of clock cycles since the last underflow.

In the following, the start-up procedure of WT1 is described, because of its higher relevance from an application point of view. However, all statements refer also to WT0.

**Start-up timing** Starting WT1 correctly requires some attention in order to avoid wrong calculation of the watch time.

If WT1 is used as an extended Watch Timer counter, two steps in the following order are required:

- The counter has to be enabled by setting WT1CTL.WTCE = 1.
- The counter's reload register WT1R has to be set to a non-zero value.

Both actions consume a different amount of input clock cycles to become effective, as shown in the following diagram.

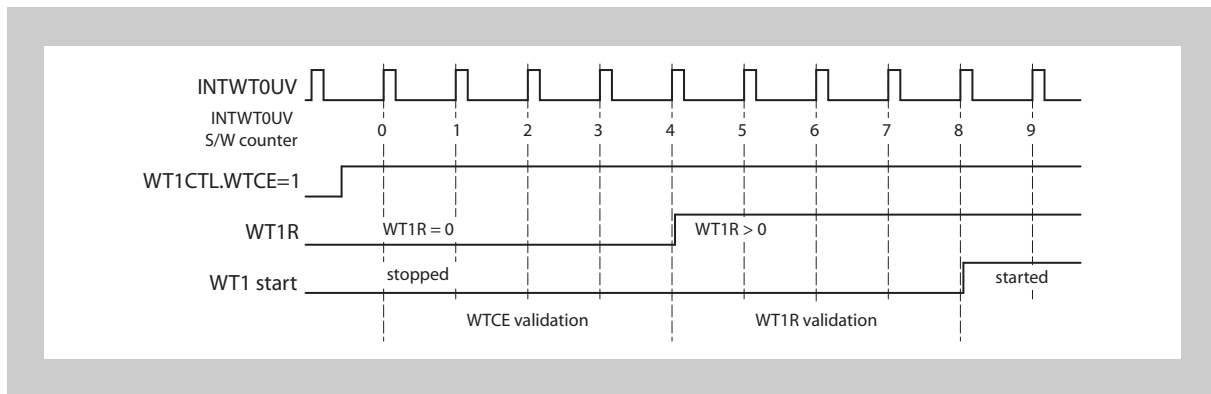


Figure 15-3 WT1 start-up timing

To start the counter in a deterministic way, the above actions have to be synchronized to the WT1 input clock, which is INTWT0UV. For that purpose it is recommended to maintain a software counter that is increased inside the INTWT0UV interrupt service routine. By this means, it is ensured that the actions are performed at the correct point in time.

Setting WT1CTL.WTCE to 1 enables WT1. The write access can happen at any time. Due to internal clock synchronization, it takes at least five complete input clock cycles, that means four INTWT0UV intervals (WTCE validation time 0 → 1 → 2 → 3 → 4) to become effective. After that, WT1 is prepared to acknowledge the reload value.

S/W counter state "4" indicates that the reload value can be written now (WT1R > 0). This time, at least three complete input clock cycles (WTR1 validation time 5 → 6 → 7 → 8) are required to take over the reload value from WT1R to the reload buffer and to start counting. At S/W counter state "8" the counter WT1CNT is preloaded with the WT1R contents.

As a consequence, register WT1CNT does not show the correct number of INTWT0UV events after WT1R > 0, but a value of four less:

- 1 INTWT0UV cycle 4 → 5 taken for the cycle WT1R is written
- 3 INTWT0UV cycles 5 → 6 → 7 → 8 for WT1R validation time

The above calculation assumes that WT1R is written within one INTWT0UV cycle, which is highly probable, considering INTWT0UV to be the "one second tick".

However, it may happen that the write to WT1R is delayed because of other circumstances (nested interrupts, DMA transfers, etc.) and may happen after S/W counter state 3.

Thus, WT1 would start later, since the 3 clock WTR1 validation time is maintained.

In order to recognize that situation, read the WT1CNT1 register and compare its contents with the value written to WT1R. If both are equal, WTR1 has been written before S/W counter state 3, add four when reading WT1CNT. If they are not equal check again at next INTWT0UV and add the proper number of correction cycles.

## 15.4 Watch Calibration Timer Registers

The Watch Calibration Timer is controlled by means of the following registers:

**Table 15-5 WCT registers overview**

Register name	Shortcut	Address
WCT timer / counter read register	TM00	<base>
WCT capture / compare register	CR001	<base> + 4 <sub>H</sub>
WCT mode control register	TMC00	<base> + 6 <sub>H</sub>
WCT prescaler mode register	PRM00	<base> + 7 <sub>H</sub>
WCT capture / compare control register	CRC00	<base> + 8 <sub>H</sub>

**Table 15-6 WCT register base address**

Timer	Base address
WCT	FFFF F5E0 <sub>H</sub>

**(1) TMC00 - WCT mode control register**

The 8-bit TMC00 register controls the operation of the WCT.

**Access** This register can be read/written in 8-bit or 1-bit units.

**Address** <base> + 6<sub>H</sub>

**Initial Value** 00<sub>H</sub>. This register is cleared by any reset.

7	6	5	4	3	2	1	0
0	0	0	0	TMC003	TMC002	0	OVF00
R	R	R	R	R/W	R/W	R	R/W

**Table 15-7 TMC00 register contents**

Bit position	Bit name	Function												
3 to 2	TMC00[3:2]	Operation mode selection: <table border="1" style="margin-left: 20px;"> <thead> <tr> <th>TMC003</th> <th>TMC002</th> <th>Operating mode</th> </tr> </thead> <tbody> <tr> <td>0</td> <td>0</td> <td>Stop mode</td> </tr> <tr> <td>0</td> <td>1</td> <td>Free-running mode. Generates interrupt on match between TM00 and CR001.</td> </tr> <tr> <td>1</td> <td>x</td> <td>Setting prohibited.</td> </tr> </tbody> </table>	TMC003	TMC002	Operating mode	0	0	Stop mode	0	1	Free-running mode. Generates interrupt on match between TM00 and CR001.	1	x	Setting prohibited.
TMC003	TMC002	Operating mode												
0	0	Stop mode												
0	1	Free-running mode. Generates interrupt on match between TM00 and CR001.												
1	x	Setting prohibited.												
0	OVF00	Counter overflow indicator: 0: No overflow 1: Overflow occurred												

- Note**
1. If an attempt is made to change the setting of TMC00[3:2] while the timer is running, these bits are cleared and the timer is stopped. If the timer is stopped, you can change the operation mode.
  2. The OVF00 bit is set if the counter reaches FFFF<sub>H</sub> and once more if the counter continues with 0000<sub>H</sub>. Clearing OVF00 within that time has no effect.

**(2) PRM00 - WCT prescaler mode register**

The 8-bit PRM00 register is used to select the “valid edge” of INTWT0UV for interval measurements.

**Access** This register can be read/written in 8-bit or 1-bit units.

**Address** <base> + 7<sub>H</sub>

**Initial Value** 00<sub>H</sub>. This register is cleared by any reset.

7	6	5	4	3	2	1	0
0	0	ES001	ES000	0	0	0	0
R	R	R/W	R/W	R	R	R	R

**Table 15-8 PRM00 register contents**

Bit position	Bit name	Function															
5 to 4	ES00[1:0]	Edge selection: <table border="1" style="margin-left: 20px;"> <thead> <tr> <th>ES001</th> <th>ES000</th> <th>Valid edge</th> </tr> </thead> <tbody> <tr> <td style="text-align: center;">0</td> <td style="text-align: center;">0</td> <td>Falling edge</td> </tr> <tr> <td style="text-align: center;">0</td> <td style="text-align: center;">1</td> <td>Rising edge</td> </tr> <tr> <td style="text-align: center;">1</td> <td style="text-align: center;">0</td> <td>Setting prohibited</td> </tr> <tr> <td style="text-align: center;">1</td> <td style="text-align: center;">1</td> <td>Both rising and falling edges</td> </tr> </tbody> </table>	ES001	ES000	Valid edge	0	0	Falling edge	0	1	Rising edge	1	0	Setting prohibited	1	1	Both rising and falling edges
ES001	ES000	Valid edge															
0	0	Falling edge															
0	1	Rising edge															
1	0	Setting prohibited															
1	1	Both rising and falling edges															

All other bits are initialized as zero and must not be changed.

- Note**
1. If both edges of INTWT0UV are specified as valid, INTWT0UV interval measurement is not possible.
  2. Stop the timer before changing ES00[1:0].

**(3) CRC00 - WCT capture / compare control register**

The 8-bit CRC00 register controls the operation of the capture/compare register CR001.

**Access** This register can be read/written in 8-bit or 1-bit units.

**Address** <base> + 8<sub>H</sub>

**Initial Value** 00<sub>H</sub>. This register is cleared by any reset.

7	6	5	4	3	2	1	0
0	0	0	0	0	CRC002	0	0
R	R	R	R	R	R/W	R/W	R/W

**Table 15-9 CRC00 register contents**

Bit position	Bit name	Function
2	CRC002	Selects the operation mode of CR001: 0: Operates as a compare register. 1: Operates as capture register.

- Note**
1. Stop the timer before changing the contents of this register.
  2. If both the rising edge and falling edge are specified as valid for the INTWT0UV signal, the interval measurement does not work.
  3. Be sure to set bits 7 to 3 and 1 to 0 to 0.

**(4) CR001 - WCT capture / compare register 1**

The 16-bit CR001 register can be used as a capture register or as a compare register. Whether it is used as a capture register or compare register is specified in bit CRC00.CRC002.

- Compare mode:  
In compare mode, the value written to CR001 is continually compared with the count value of TM00. If the two values match, the interrupt request INTTM01 is generated.
- Capture mode:  
In capture mode, the count value of TM00 is copied to CR001 upon a valid edge of INTWT0UV. Then, the interrupt INTTM01 is generated.

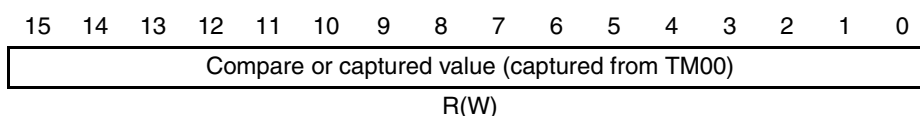
The valid edge of INTWT0UV can be selected as a capture trigger. The valid edge is specified in PRM00.ES00[1:0].

In capture mode, a read access to register CR001 is not synchronized with the counter operation. Read access and register update can occur simultaneously. If that happens, CR001 holds the correct value, but the value read is undefined.

**Access** In compare mode, this register can be read/written in 16-bit units. In capture mode, it cannot be written.

**Address** <base> + 4<sub>H</sub>

**Initial Value** 0000<sub>H</sub>. This register is cleared by any reset.



**Note** Stop the timer before changing the contents of this register.

**(5) TM00 - WCT timer / counter read register**

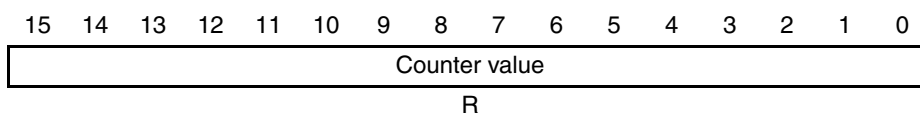
The TM00 register can be used to read the present value of the 16-bit up-counter.

The counter is increased with every rising edge of the input clock. If the counter value is read while the counter is running, input of the count clock is temporarily stopped, and the counter value at this point is read.

**Access** This register is read-only, in 16-bit units.

**Address** <base>

**Initial Value** 0000<sub>H</sub>. This register is cleared by any reset, if the counter is stopped (TMC00.TMC00[3:2] = 0), and if the counter is in INTWT0UV interval measurement mode and a valid edge of INTWT0UV is detected.



If the counter overflows, it sets the flag TMC00.OVF00 to 1 and continues with 0000<sub>H</sub>.

## 15.5 Watch Calibration Timer Operation

The Watch Calibration Timer WCT is used to measure the time between two successive occurrences of the Watch Timer WT0 underflow interrupt INTWT0UV.

The WCT is supplied with the stable clock WCTCLK:

- WCTCLK = 4 MHz main oscillator, if PSM.CMODE = 1
- WCTCLK = 8 MHz PCLK1, if PSM.CMODE = 0

For further details refer to “Clock Generator” on page 139.

The measured INTWT0UV interval time gives an indication about the accuracy of the sub or internal oscillator. A correction value can be calculated to calibrate WT0 and WT1 by changing their reload values.

The interval measurement can be performed in the WCT free-running operating mode.

If a timer overflow can occur during the interval measurement, take care for regarding also the overflow flag TMC00.OVF00 for calculating the interval correctly.

The timer operating as a free-running counter performs following actions upon detection of a the valid edge of INTWT0UV:

- it copies the present counter value of register TM00 to CR001,
- it generates the interrupt request INTTM01.

The valid edge (rising edge, falling edge) is specified in register PRM00. If both edges are specified, CR001 cannot perform a capture operation.

<b>Setup example</b>	TMC00 = 0000 0100 <sub>B</sub> :	Free running mode
	CRC00 = 0000 0100 <sub>B</sub> :	CR001 as capture register with INTWT0UV as capture signal
	PRM00.ES00[1:0] = 01 <sub>B</sub> :	Rising edge

The following figure is not to scale but illustrates the operation.



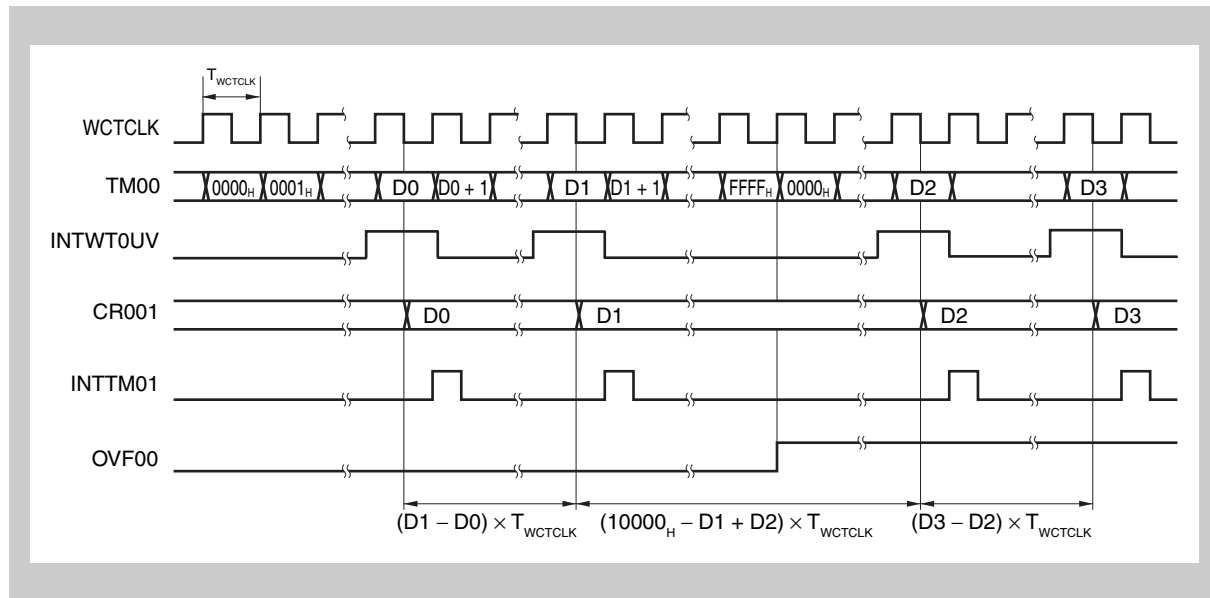


Figure 15-4 Timing in free-running mode

As shown in the figure, the interrupt INTTM01 can be used as a trigger for reading the register CR001.

The interval duration must be calculated from the difference between the present and the previous value of CR001.

**Note** If TM00 overflows between two occurrences of INTWT0UV, that means between two capture triggers, the overflow flag TMC00.OVF00 is set. Therefore, check also TMC00.OVF00 when reading the second capture value in order to calculate the interval correctly, because an overflow may happen during the measurement.

Consider the chosen periods for INTWT0UV and of WCTCLK.



# Chapter 16 Watchdog Timer (WDT)

The Watchdog Timer is used to escape from a system deadlock or program runaway. If it is not restarted within a certain time, the Watchdog Timer flows over and interrupts or even resets the microcontroller.

## 16.1 Overview

The Watchdog Timer contains an up-counter that is driven by the Watchdog Timer clock WDTCLK. This clock can be derived from the main oscillator, the internal oscillator, or the sub oscillator. Its frequency can be identical with the frequency of the source clock or a fraction thereof.

### Features summary The Watchdog Timer

- can generate the non-maskable interrupt NMIWDT
- can generate a hardware reset by means of the internal signal RESWDT
- has a programmable running time (set in terms of  $2^n$  multiples of WDTCLK periods)
- is specially protected against inadvertent setup changes

### 16.1.1 Description

The following figure shows a simplified block diagram.

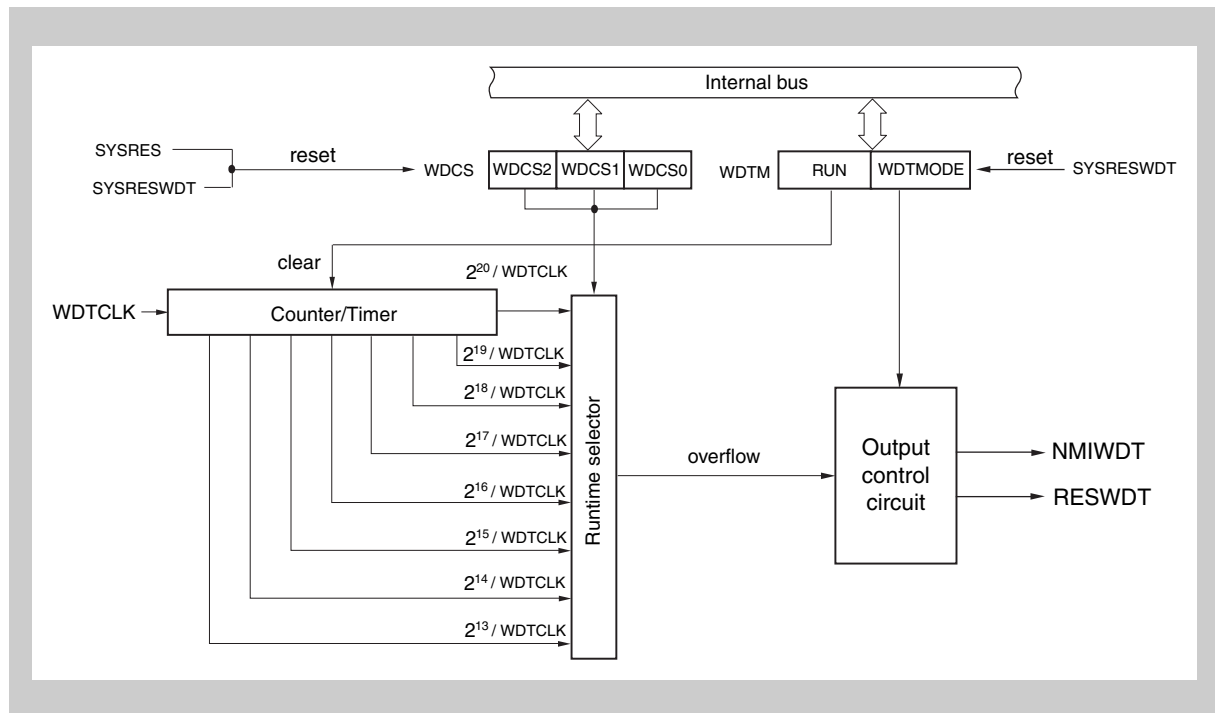


Figure 16-1 Block diagram of the Watchdog Timer

As shown in the figure, the WDCS register controls the running time and the WDTM register the operating mode.

The running time can be chosen between  $2^{13}$  and  $2^{20}$  times the period of the Watchdog Timer clock WDTCLK.

The figure shows also, that the run and mode settings of the WDTM register are only cleared by SYSRESWDT.

### 16.1.2 Principle of operation

Before the Watchdog Timer is started, its running time and mode have to be configured.

The Watchdog Timer has two operating modes:

- Mode 0 (generate non-maskable interrupt NMIWDT)
- Mode 1 (generate reset request RESWDT)

The mode is defined by the bit WDTM.WDTMODE. The mode can only be changed after SYSRESWDT, that means, after external RESET or Power-On Clear.

#### (1) Watchdog Timer mode 0 (generate non-maskable interrupt NMIWDT)

If WDTM.WDTMODE is 0, the Watchdog Timer is in interrupt-request mode. This is the default after initialization.

Setting bit WDTM.RUN to 1 starts the counter. Without intervention, the timer will now run until the specified time has elapsed and then generate the non-maskable interrupt NMIWDT. After that, the counter is reset to zero and starts counting again.

**(2) Watchdog Timer mode 1 (generate reset request RESWDT)**

If WDTM.WDTMODE is 1, the Watchdog Timer is in reset-request mode.

Setting bit WDTM.RUN to 1 starts the counter. Without intervention, the timer will now run until the specified time has elapsed and then generate the internal RESWDT signal. After that, the counter operation is stopped until the system reset SYSRES or SYSRESWDT occurs.

**(3) Watchdog Timer running**

Once it is running, the Watchdog Timer cannot be stopped by software. It can only be stopped by the reset signal SYSRESWDT. This signal is generated by the Reset module at power-on and external  $\overline{\text{RESET}}$ .

The way to prevent the timer from flowing over is writing to the register WDTM before the specified time has elapsed. The write access resets the counter to zero.

**16.1.3 Watchdog Timer clock**

The Watchdog Timer clock WDTCLK is generated by the Clock Generator. It can be derived from the main, internal or sub oscillator.

The generation of WDTCLK is controlled by the WCC register of the Clock Generator.

In this register, it is possible to choose the main, sub, or internal oscillator as the clock source (WCC.SOSCW, WCC.WDTSEL0).

You can also choose a suitable frequency divider between 1 and 128 (WCC.WPS[2:0]).

WDTCLK is subject to a stand-by mode control. WDTCLK can optionally be stopped in IDLE, WATCH, Sub-WATCH and STOP mode (WCC.WDTSEL1).

Please refer to “Clock Generator” on page 139 for further details.

**Note** Once the timer has been started, do not switch off the selected clock source of WDTCLK.

When the microcontroller is in HALT mode, the Watchdog Timer remains active.

The activity in the other power save modes can be specified by the WCC.WDTSEL1 control bit. By default (WCC.WDTSEL1 = 0), WDTCLK stops during IDLE, WATCH, Sub-WATCH and STOP mode.

With WCC.WDTSEL1 = 1 WDTCLK operates as long as the selected clock source operates.

When the WDTCLK resumes operation, the Watchdog Timer is not reset but continues counting. To prevent a quick and unexpected overflow, it is recommended to write to WDTM and thus clear the Watchdog Timer counter before entering one of these power save modes.

### 16.1.4 Reset behavior

The reset of the Watchdog Timer is controlled by the two reset inputs SYSRES and SYSRESWDT. The respective signals are generated by the Reset module.

Every reset sets the WDCS register to the longest possible running time.

**SYSRESWDT** The watchdog reset SYSRESWDT is used to initialize the Watchdog Timer. This signal is generated at power-on and after external  $\overline{\text{RESET}}$ .

After SYSRESWDT, all registers are set to their reset values, and the timer is stopped. You have to write the required settings to the WDCS register and may start the counter. Once the counter has been started, it cannot be reprogrammed or stopped unless the next reset (SYSRES or SYSRESWDT) occurs.

**SYSRES** SYSRES is generated by all reset sources.

SYSRES does not reset the register WDTM. That means, the timer status (running or stopped) and mode (generate interrupt or reset request) remain unchanged.

If the Watchdog Timer was running before SYSRES was released, the counter is automatically cleared and restarts with the new timing.

- Note**
1. Every reset clears also the WCC register. That means, the WDTCLK has the frequency of the 240 kHz internal oscillator. In combination with the largest time factor ( $2^{20}$ ), this yields a running time of 4.37 s.
  2. After any reset, the write protection for WDCS is disabled. WDCS can be written once to specify a shorter time interval. After that, the WDCS register is write-protected.

## 16.2 Watchdog Timer Registers

The Watchdog Timer is controlled by means of the following registers:

**Table 16-1** Watchdog Timer registers overview

Register name	Shortcut	Address
Watchdog Timer clock selection register	WDCS	<base>
Watchdog Timer command protection register	WCMD	<base> + 2 <sub>H</sub>
Watchdog Timer mode register	WDTM	<base> + 4 <sub>H</sub>
Watchdog Timer command status register	WPHS	<base> + 6 <sub>H</sub>

The registers WDCS and WDTM are protected against accidental changes. A special write procedure, employing the WCMD register, ensures that these registers are not easily rewritten in case of a program hang-up.

Their contents can only be changed after a reset.

In addition, the registers are write-protected when the timer is running. Their protection status is indicated in the WDTM register.

**Table 16-2** WDT register base address

Timer	Base address
WDT	FFFF F590 <sub>H</sub>

**Note** Only byte access is supported for the registers WDCS, WCMD and WDTM. The registers are allocated at even addresses. Thus, they cannot be written by a consecutive byte write sequence or a consecutive half word or word write sequence.

**(1) WDCS - WDT clock selection register**

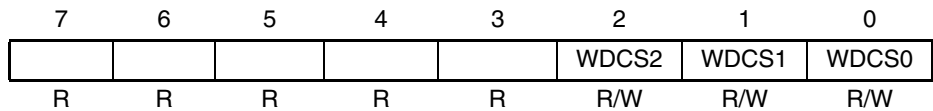
The 8-bit WDCS register is used to specify the running time of the Watchdog Timer.

**Access** This register can be read/written in 8-bit or 1-bit units.

Writing to this register is protected by a special sequence of instructions. Please refer to “WCMD - WDT command protection register” on page 573 for details.

**Address** <base>

**Initial Value** 07<sub>H</sub>. This register is initialized by SYSRESWDT and SYSRES.



**Table 16-3 WDCS register contents**

Bit Position	Bit Name	Function																																				
2 to 0	WDCS[2:0]	Specifies the running time of the Watchdog Timer <table border="1" style="width: 100%; margin-top: 5px; border-collapse: collapse;"> <thead> <tr style="background-color: #cccccc;"> <th style="width: 12.5%;">WDCS2</th> <th style="width: 12.5%;">WDCS1</th> <th style="width: 12.5%;">WDCS0</th> <th style="width: 62.5%;">Running time calculation</th> </tr> </thead> <tbody> <tr> <td style="text-align: center;">0</td> <td style="text-align: center;">0</td> <td style="text-align: center;">0</td> <td><math>2^{13} / f_{\text{WDTCLK}}</math></td> </tr> <tr> <td style="text-align: center;">0</td> <td style="text-align: center;">0</td> <td style="text-align: center;">1</td> <td><math>2^{14} / f_{\text{WDTCLK}}</math></td> </tr> <tr> <td style="text-align: center;">0</td> <td style="text-align: center;">1</td> <td style="text-align: center;">0</td> <td><math>2^{15} / f_{\text{WDTCLK}}</math></td> </tr> <tr> <td style="text-align: center;">0</td> <td style="text-align: center;">1</td> <td style="text-align: center;">1</td> <td><math>2^{16} / f_{\text{WDTCLK}}</math></td> </tr> <tr> <td style="text-align: center;">1</td> <td style="text-align: center;">0</td> <td style="text-align: center;">0</td> <td><math>2^{17} / f_{\text{WDTCLK}}</math></td> </tr> <tr> <td style="text-align: center;">1</td> <td style="text-align: center;">0</td> <td style="text-align: center;">1</td> <td><math>2^{18} / f_{\text{WDTCLK}}</math></td> </tr> <tr> <td style="text-align: center;">1</td> <td style="text-align: center;">1</td> <td style="text-align: center;">0</td> <td><math>2^{19} / f_{\text{WDTCLK}}</math></td> </tr> <tr> <td style="text-align: center;">1</td> <td style="text-align: center;">1</td> <td style="text-align: center;">1</td> <td><math>2^{20} / f_{\text{WDTCLK}}</math></td> </tr> </tbody> </table>	WDCS2	WDCS1	WDCS0	Running time calculation	0	0	0	$2^{13} / f_{\text{WDTCLK}}$	0	0	1	$2^{14} / f_{\text{WDTCLK}}$	0	1	0	$2^{15} / f_{\text{WDTCLK}}$	0	1	1	$2^{16} / f_{\text{WDTCLK}}$	1	0	0	$2^{17} / f_{\text{WDTCLK}}$	1	0	1	$2^{18} / f_{\text{WDTCLK}}$	1	1	0	$2^{19} / f_{\text{WDTCLK}}$	1	1	1	$2^{20} / f_{\text{WDTCLK}}$
WDCS2	WDCS1	WDCS0	Running time calculation																																			
0	0	0	$2^{13} / f_{\text{WDTCLK}}$																																			
0	0	1	$2^{14} / f_{\text{WDTCLK}}$																																			
0	1	0	$2^{15} / f_{\text{WDTCLK}}$																																			
0	1	1	$2^{16} / f_{\text{WDTCLK}}$																																			
1	0	0	$2^{17} / f_{\text{WDTCLK}}$																																			
1	0	1	$2^{18} / f_{\text{WDTCLK}}$																																			
1	1	0	$2^{19} / f_{\text{WDTCLK}}$																																			
1	1	1	$2^{20} / f_{\text{WDTCLK}}$																																			

**Note** The WDCS register must be considered in conjunction with the WCC register of the Clock Generator. The source and frequency of WDTCLK are defined in the WCC register.



The running time depends on the frequency of the chosen clock. The following table shows two examples for 4 MHz and 32 KHz.

Table 16-4 Running time examples

WDCS2	WDCS1	WDCS0	Calculation	Time until overflow	
				f <sub>WDTCLK</sub> = 4 MHz (main oscillator)	f <sub>WDTCLK</sub> = 32 KHz (sub oscillator)
0	0	0	2 <sup>13</sup> / f <sub>WDTCLK</sub>	2 ms	256 ms
0	0	1	2 <sup>14</sup> / f <sub>WDTCLK</sub>	4.1 ms	512 ms
0	1	0	2 <sup>15</sup> / f <sub>WDTCLK</sub>	8.2 ms	1.02 s
0	1	1	2 <sup>16</sup> / f <sub>WDTCLK</sub>	16.4 ms	2.05 s
1	0	0	2 <sup>17</sup> / f <sub>WDTCLK</sub>	32.8 ms	4.10 s
1	0	1	2 <sup>18</sup> / f <sub>WDTCLK</sub>	65.5 ms	8.20 s
1	1	0	2 <sup>19</sup> / f <sub>WDTCLK</sub>	131 ms	16.38 s
1	1	1	2 <sup>20</sup> / f <sub>WDTCLK</sub>	262 ms	32.77 s

These are just two examples for WDTCLK. The actual clock signal depends on the clock divider settings and the external oscillator resonators.

**Note** Every reset sets the WDCS register to 07<sub>H</sub>, which means the longest time interval.

After SYSRESWDT, the timer is always stopped and initialized. You can write a smaller value to the register.

After SYSRES, the WDTM register is not cleared. If the Watchdog Timer was running before SYSRES occurred, it remains active. To specify a shorter interval:

1. Write one byte to the WCMD register (the value is ignored)
2. Immediately after that, write one byte with the desired value of WDCS[2:0] to the WDCS register

The write operation resets the watchdog counter to zero, and it continues with the new timing.

**Note** When the timer is active, WDCS can only be written once after reset. Then, the register is locked until the next reset occurs (WDTM.LOCK\_CS = 1).

**(2) WDTM - WDT mode register**

This register sets the operating mode of the Watchdog Timer and enables or disables counting.

When the Watchdog Timer is running and shall not overflow, it is necessary to write to WDTM before the specified running time has elapsed.

**Access** This register can be read/written in 8-bit units. Once the Watchdog Timer is started (WDTM.RUN = 1), the contents of this register cannot be changed.

Writing to this register is protected by a special sequence of instructions. Please refer to “WCMD - WDT command protection register” on page 573 for details.

**Address** <base> + 4<sub>H</sub>

**Initial Value** 00<sub>H</sub>. This register is cleared by SYSRESWDT. This stops the timer and unlocks the registers. The register remains unchanged after SYSRES<sup>̄</sup>.

7	6	5	4	3	2	1	0
RUN	LOCK_TM	LOCK_CS	0	WDTMODE	0	0	0
R/W	R	R	R	R/W	R	R	R

Table 16-5 WDTM register contents

Bit Position	Bit Name	Function
7	RUN	Watchdog Timer running: 0: Timer stopped 1: Timer running (with the time interval specified in register WDCS)
6	LOCK_TM	WDTM register protection status: 0: Register unlocked 1: Register locked (write-protected)
5	LOCK_CS	WDCS register protection status: 0: Register unlocked 1: Register locked (write-protected)
3	WDTMODE	Watchdog Timer operation mode: 0: Mode 0: Generates the non-maskable interrupt NMIWDT upon overflow 1: Mode 1: Generates RESWDT upon overflow

**Note** After SYSRESWDT, the timer is always stopped and initialized. You can change the register contents by writing.

When the timer is running, you can also write to this register, but the write operation does not change the register contents (WDTM.LOCK\_TM = 1). When the timer is running, the write access resets the counter.

To write to the WDTM register:

1. Write one byte to the WCMD register (the value is ignored).
2. Immediately after that, write one byte to the WDTM register (the value is ignored).

With this procedure, restarting the counter is always possible, regardless of the register's write protection status.

**(3) WCMD - WDT command protection register**

The 8-bit WCMD register is write-only. It is used to protect the WDTM and WDSCS registers from unintended writing.

**Access** This register can be written in 8-bit units.

**Address** <base> + 2<sub>H</sub>

**Initial Value** Undefined

7	6	5	4	3	2	1	0
x	x	x	x	x	x	x	x
W	W	W	W	W	W	W	W

Any data written to this register is ignored. Only the write action is monitored.

After writing to the WCMD register, you are permitted to write once to one of the protected registers. This must be done immediately after writing to the WCMD register. If the second write action does not follow immediately, the protected registers are write-locked again. See also *“Write Protected Registers” on page 135*.

With this method, the protected registers can only be rewritten in a specific sequence. Illegal write access to a protected register is inhibited.

The following registers are protected:

- WDSCS: Watchdog clock selection register
- WDTM: Watchdog mode control register

An invalid write attempt to one of the above registers sets the error flag WPHS.WPRERR. WPHS.WPRERR is also set, if a write access to WCMD is not followed by an access to one of the protected registers.

Data read from the WCMD register is undefined.

---

**Caution** In case a high level programming language is used, make sure that the compiler translates the two write instructions to WCMD and the protected register into two consecutive assembler “store” instructions.

---

**(4) WPHS - WDT command status register**

The WPHS register monitors the success of a write instruction to the WDTM and WDCS registers.

If the write operation to WDTM or WDCS failed because WCMD was not written immediately before writing to WDTM or WDCS, the WPRERR flag is set.

**Access** This register can be read/written in 8-bit or 1-bit units. After a write access, the register is cleared.

**Address** <base> + 6<sub>H</sub>

**Initial Value** 00<sub>H</sub>. This register is cleared by SYSRESWDT and any write access.

7	6	5	4	3	2	1	0
0	0	0	0	0	0	0	WPRERR
R	R	R	R	R	R	R	R

**Table 16-6 WPHS register contents**

Bit Position	Bit Name	Function
0	WPRERR	Error flag: 0: No WDTM or WDCS register writing error has occurred 1: A WDTM or WDCS register writing error has occurred

# Chapter 17 Asynchronous Serial Interface (UARTA)

The V850E/Dx3 microcontrollers have following instances of the universal Asynchronous Serial Interface UARTA:

UARTA	All devices
Instances	2
Names	UARTA0 to UARTA1

Throughout this chapter, the individual instances of UARTA are identified by “n”, for example, UARTAn, or UAnCTL0 for the UARTAn control register 0.

## 17.1 Features

- Transfer rate: 300 bps to 1000 kbps (using dedicated baud rate generator)
- Full-duplex communication:
  - Internal UARTA receive data register n (UAnRX)
  - Internal UARTA transmit data register n (UAnTX)
- 2-pin configuration:
  - TXDAn: Transmit data output pin
  - RXDAn: Receive data input pin
- Reception error output function
  - Parity error
  - Framing error
  - Overrun error
- Interrupt sources: 3
  - Reception complete interrupt (INTUAnR):  
This interrupt occurs upon transfer of receive data from the shift register to receive buffer register n after serial transfer completion, in the reception enabled status.
  - Transmission enable interrupt (INTUAnT):  
This interrupt occurs upon transfer of transmit data from the transmit buffer register to the shift register in the transmission enabled status.
  - Receive error interrupt (INTUAnRE):  
This interrupt occurs upon transfer of erroneous receive data.
- Character length: 7, 8 bits
- Parity function: Odd, even, 0, none
- Transmission stop bit: 1, 2 bits
- On-chip dedicated baud rate generator
- MSB-/LSB-first transfer selectable
- Transmit/receive data inverted input/output possible

- 13 to 20 bits selectable for the SBF (Sync Break Field) in the LIN (Local Interconnect Network) communication format
  - Recognition of 11 bits or more possible for SBF reception in LIN communication format
  - SBF reception flag provided
- DMA support
  - Two different DMA trigger events in transmission mode (refer to “DMA Controller (DMAC)” on page 349)

## 17.2 Configuration

The block diagram of the UARTAn is shown below.

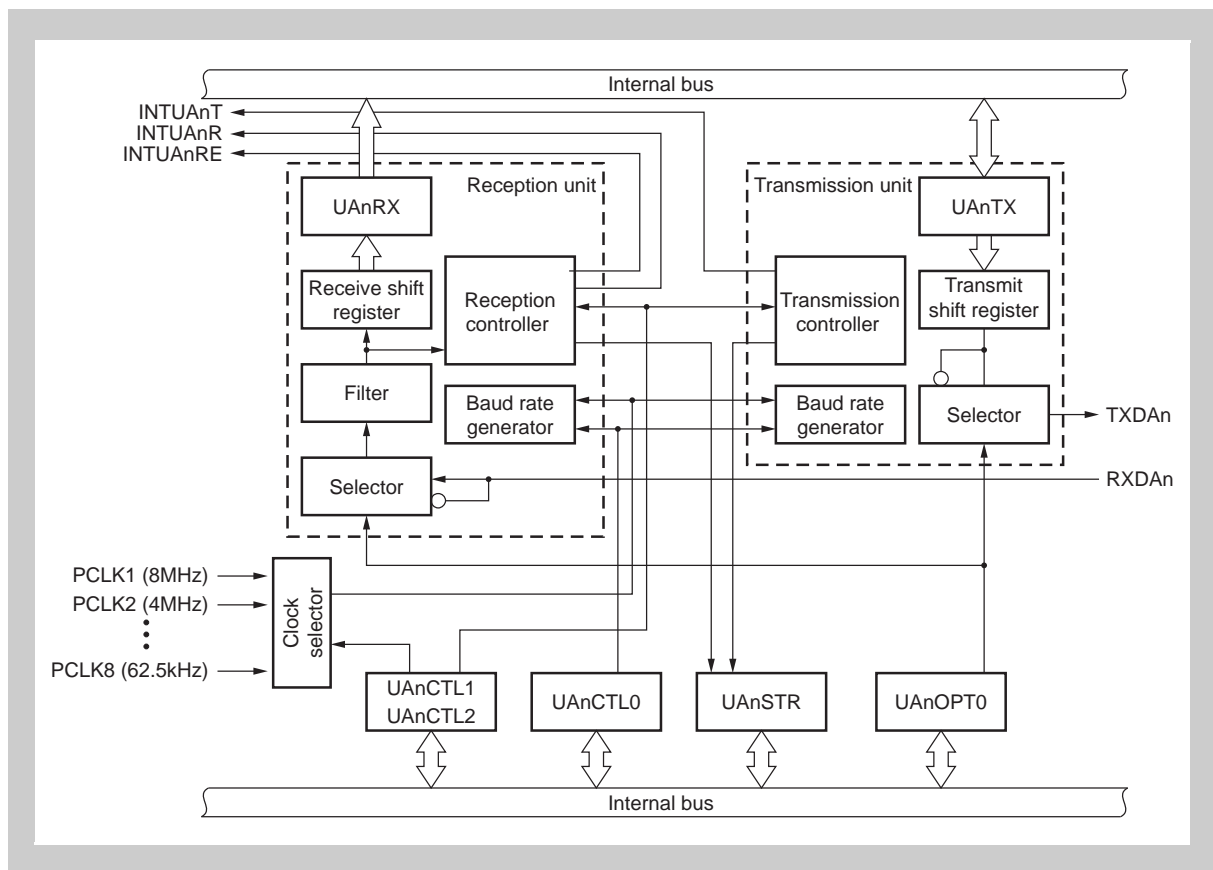


Figure 17-1 Block diagram of Asynchronous Serial Interface UARTAn

**Note** For the configuration of the baud rate generator, see Figure 17-11 on page 599.

UARTAn consists of the following hardware units.

- (1) UARTAn control register 0 (UAnCTL0)**

The UAnCTL0 register is an 8-bit register used to specify the UARTAn operation.
- (2) UARTAn control register 1 (UAnCTL1)**

The UAnCTL1 register is an 8-bit register used to select the input clock for the UARTAn.
- (3) UARTAn control register 2 (UAnCTL2)**

The UAnCTL2 register is an 8-bit register used to control the baud rate for the UARTAn.
- (4) UARTAn option control register 0 (UAnOPT0)**

The UAnOPT0 register is an 8-bit register used to control serial transfer for the UARTAn.
- (5) UARTAn status register (UAnSTR)**

The UAnSTRn register consists of flags indicating the error contents when a reception error occurs. Each one of the reception error flags is set (to 1) upon occurrence of a reception error and is reset (to 0) by reading the UAnSTR register.
- (6) UARTAn receive shift register**

This is a shift register used to convert the serial data input to the RXDAn pin into parallel data. Upon reception of 1 byte of data and detection of the stop bit, the receive data is transferred to the UAnRX register.

This register cannot be manipulated directly.
- (7) UARTAn receive data register (UAnRX)**

The UAnRX register is an 8-bit register that holds receive data. When 7 characters are received, 0 is stored in the highest bit (when data is received LSB first).

In the reception enabled status, receive data is transferred from the UARTAn receive shift register to the UAnRX register in synchronization with the completion of shift-in processing of 1 frame.

Transfer to the UAnRX register also causes the reception complete interrupt request signal (INTUAnR) to be output.
- (8) UARTAn transmit shift register**

The transmit shift register is a shift register used to convert the parallel data transferred from the UAnTX register into serial data.

When 1 byte of data is transferred from the UAnTX register, the shift register data is output from the TXDAn pin.

This register cannot be manipulated directly.
- (9) UARTAn transmit data register (UAnTX)**

The UAnTX register is an 8-bit transmit data buffer. Transmission starts when transmit data is written to the UAnTX register. When data can be written to the UAnTX register (when data of one frame is transferred from the UAnTX register to the UARTAn transmit shift register), the transmission enable interrupt request signal (INTUAnT) is generated.

## 17.3 UARTA Registers

The asynchronous serial interfaces UARTAn are controlled and operated by means of the following registers:

Table 17-1 UARTAn registers overview

Register name	Shortcut	Address
UARTAn control register 0	UAnCTL0	<base>
UARTAn control register 1	UAnCTL1	<base> + 1 <sub>H</sub>
UARTAn control register 2	UAnCTL2	<base> + 2 <sub>H</sub>
UARTAn option control register 0	UAnOPT0	<base> + 3 <sub>H</sub>
UARTAn status register	UAnSTR	<base> + 4 <sub>H</sub>
UARTAn receive data register	UAnRX	<base> + 6 <sub>H</sub>
UARTAn transmit data register	UAnTX	<base> + 7 <sub>H</sub>

Table 17-2 UARTAn register base address

Timer	Base address
UARTA0	FFFF FA00 <sub>H</sub>
UARTA1	FFFF FA10 <sub>H</sub>



**(1) UAnCTL0 - UARTAn control register 0**

The UAnCTL0 register is an 8-bit register that controls the UARTAn serial transfer operation.

**Access** This register can be read/written in 8-bit or 1-bit units.

**Address** <base>

**Initial Value** 10<sub>H</sub>. This register is cleared by any reset.

7	6	5	4	3	2	1	0
UAnPWR	UAnTXE	UAnRXE	UAnDIR	UAnPS1	UAnPS0	UAnCL	UAnSL
R/W	R/W	R/W	R/W	R/W	R/W	R/W	R/W

Table 17-3 UAnCTL0 register contents (1/2)

Bit position	Bit name	Function
7	UAnPWR	UARTAn operation disable/enable: 0: Disable UARTAn operation and reset the UARTAn asynchronously 1: Enable UARTAn operation The UARTAn operation is controlled by the UAnPWR bit. The TXDAn pin output is fixed to high level by clearing the UAnPWR bit to 0 (fixed to low level if UAnOPT0.UAnTDL bit = 1).
6	UAnTXE	Transmit operation disable/enable: 0: Disable transmit operation 1: Enable transmit operation <ul style="list-style-type: none"> <li>• To start transmission, set the UAnPWR bit to 1 and then set the UAnTXE bit to 1.</li> <li>• To stop transmission, clear the UAnTXE bit to 0 and then the UAnPWR bit to 0.</li> <li>• To initialize the transmission unit, clear UAnTXE bit to 0, wait for two cycles of the base clock, and then set UAnTXE bit to 1 again. Otherwise, initialization may not be executed.</li> </ul>
5	UAnRXE	Receive operation disable/enable: 0: Disable receive operation 1: Enable receive operation <ul style="list-style-type: none"> <li>• To start reception, set the UAnPWR bit to 1 and then set the UAnRXE bit to 1.</li> <li>• To stop reception, clear the UAnRXE bit to 0 and then the UAnPWR bit to 0.</li> <li>• To initialize the reception unit, clear UAnRXE bit to 0, wait for two cycles of the base clock, and then set UAnRXE bit to 1 again. Otherwise, initialization may not be executed.</li> </ul>
4	UAnDIR	Transfer direction mode specification (MSB/LSB): 0: MSB first transfer 1: LSB first transfer

Table 17-3 UAnCTL0 register contents (2/2)

Bit position	Bit name	Function																						
3, 2	UAnPS[1:0]	Parity selection <table border="1" data-bbox="571 331 1385 591"> <thead> <tr> <th rowspan="2">UAnPS1</th> <th rowspan="2">UAnPS0</th> <th colspan="2">Parity selection during</th> </tr> <tr> <th>transmission</th> <th>reception</th> </tr> </thead> <tbody> <tr> <td>0</td> <td>0</td> <td>No parity output</td> <td>Reception with no parity</td> </tr> <tr> <td>0</td> <td>1</td> <td>0 parity output</td> <td>Reception with 0 parity</td> </tr> <tr> <td>1</td> <td>0</td> <td>Odd parity output</td> <td>Odd parity check</td> </tr> <tr> <td>1</td> <td>1</td> <td>Even parity output</td> <td>Even parity check</td> </tr> </tbody> </table> <ul style="list-style-type: none"> <li>This register is rewritten only when the UAnPWR bit = 0 or the UAnTXE bit = the UAnRXE bit = 0.</li> <li>If “Reception with 0 parity” is selected during reception, a parity check is not performed. Therefore, since the UAnSTR.UAnPE bit is not set, no error interrupt is output.</li> <li>When transmission and reception are performed in the LIN format, clear the UAnPS1 and UAnPS0 bits to 00.</li> </ul>	UAnPS1	UAnPS0	Parity selection during		transmission	reception	0	0	No parity output	Reception with no parity	0	1	0 parity output	Reception with 0 parity	1	0	Odd parity output	Odd parity check	1	1	Even parity output	Even parity check
UAnPS1	UAnPS0	Parity selection during																						
		transmission	reception																					
0	0	No parity output	Reception with no parity																					
0	1	0 parity output	Reception with 0 parity																					
1	0	Odd parity output	Odd parity check																					
1	1	Even parity output	Even parity check																					
1	UAnCL	Specification of data character length of 1 frame of transmit/receive data 0: 7 bits 1: 8 bits This register can be rewritten only when the UAnPWR bit = 0 or the UAnTXE bit = the UAnRXE bit = 0.																						
0	UAnSL	Specification of length of stop bit for transmit data 0: 1 bit 1: 2 bits This register can be rewritten only when the UAnPWR bit = 0 or the UAnTXE bit = the UAnRXE bit = 0.																						

**Note** For details of parity, see “Parity types and operations” on page 597.

### (2) UAnCTL1 - UARTAn control register 1

The UAnCTL1 register is an 8-bit register used to select the input clock for the UARTAn.

For details, see “UAnCTL1 - UARTAn control register 1” on page 600.

### (3) UAnCTL2 - UARTAn control register 2

The UAnCTL2 register is an 8-bit register used to control the baud rate for the UARTAn.

For details, see “UAnCTL2 - UARTAn control register 2” on page 601.

**(4) UAnOPT0 - UARTAn option control register 0**

The UAnOPT0 register is an 8-bit register that controls the serial transfer operation of the UARTAn register.

**Access** This register can be read/written in 8-bit or 1-bit units.

**Address** <base> + 3<sub>H</sub>

**Initial Value** 14<sub>H</sub>. This register is cleared by any reset.

7	6	5	4	3	2	1	0
UAnSRF	UAnSRT	UAnSTT	UAnSBL2	UAnSBL1	UAnSBL0	UAnTDL	UAnRDL
R/W	R/W	R/W	R/W	R/W	R/W	R/W	R/W

Table 17-4 UAnOPT0 register contents (1/2)

Bit position	Bit name	Function																																				
7	UAnSRF	SBF reception flag: 0: When the UAnCTL0.UAnPWR bit = UAnCTL0.UAnRXE bit = 0 are set. Also upon normal end of SBF reception. 1: During SBF reception <ul style="list-style-type: none"> <li>• SBF (Sync Brake Field) reception is judged during LIN communication.</li> <li>• The UAnSRF bit is held at 1 when an SBF reception error occurs, and then SBF reception is started again.</li> </ul>																																				
6	UAnSRT	SBF reception trigger: 0: – 1: SBF reception trigger <ul style="list-style-type: none"> <li>• This is the SBF reception trigger bit during LIN communication, and when read, “0” is always read. For SBF reception, set the UAnSRT bit (to 1) to enable SBF reception.</li> <li>• Set the UAnSRT bit after setting the UAnPWR bit = UAnRXE bit = 1.</li> </ul>																																				
5	UAnSTT	SBF transmission trigger: 0: – 1: SBF transmission trigger <sup>a</sup> <ul style="list-style-type: none"> <li>• This is the SBF transmission trigger bit during LIN communication, and when read, “0” is always read.</li> <li>• Set the UAnSTT bit after setting the UAnPWR bit = UAnTXE bit = 1.</li> </ul>																																				
4 to 2	UAnSBL[2:0]	SBF transmission length selection: <table border="1" style="margin-left: 20px;"> <thead> <tr> <th>UAnSBL2</th> <th>UAnSBL1</th> <th>UAnSBL0</th> <th>SBF transmission length</th> </tr> </thead> <tbody> <tr> <td style="text-align: center;">1</td> <td style="text-align: center;">0</td> <td style="text-align: center;">1</td> <td>13-bit output (default value)</td> </tr> <tr> <td style="text-align: center;">1</td> <td style="text-align: center;">1</td> <td style="text-align: center;">0</td> <td>14-bit output</td> </tr> <tr> <td style="text-align: center;">1</td> <td style="text-align: center;">1</td> <td style="text-align: center;">1</td> <td>15-bit output</td> </tr> <tr> <td style="text-align: center;">0</td> <td style="text-align: center;">0</td> <td style="text-align: center;">0</td> <td>16-bit output</td> </tr> <tr> <td style="text-align: center;">0</td> <td style="text-align: center;">0</td> <td style="text-align: center;">1</td> <td>17-bit output</td> </tr> <tr> <td style="text-align: center;">0</td> <td style="text-align: center;">1</td> <td style="text-align: center;">0</td> <td>18-bit output</td> </tr> <tr> <td style="text-align: center;">0</td> <td style="text-align: center;">1</td> <td style="text-align: center;">1</td> <td>19-bit output</td> </tr> <tr> <td style="text-align: center;">1</td> <td style="text-align: center;">0</td> <td style="text-align: center;">0</td> <td>20-bit output</td> </tr> </tbody> </table> <p>This register can be set when the UAnPWR bit = 0 or when the UAnTXE bit = 0.</p>	UAnSBL2	UAnSBL1	UAnSBL0	SBF transmission length	1	0	1	13-bit output (default value)	1	1	0	14-bit output	1	1	1	15-bit output	0	0	0	16-bit output	0	0	1	17-bit output	0	1	0	18-bit output	0	1	1	19-bit output	1	0	0	20-bit output
UAnSBL2	UAnSBL1	UAnSBL0	SBF transmission length																																			
1	0	1	13-bit output (default value)																																			
1	1	0	14-bit output																																			
1	1	1	15-bit output																																			
0	0	0	16-bit output																																			
0	0	1	17-bit output																																			
0	1	0	18-bit output																																			
0	1	1	19-bit output																																			
1	0	0	20-bit output																																			

Table 17-4 UAnOPT0 register contents (2/2)

Bit position	Bit name	Function
1	UAnTDL	Transmit data level bit 0: Normal output of transfer data 1: Inverted output of transfer data <ul style="list-style-type: none"> <li>The output level of the TXDAn pin can be inverted using the UAnTDL bit.</li> <li>This register can be set when the UAnPWR bit = 0 or when the UAnTXE bit = 0.</li> </ul>
0	UAnRDL	Receive data level bit 0: Normal input of transfer data 1: Inverted input of transfer data <ul style="list-style-type: none"> <li>The output level of the RXDAn pin can be inverted using the UAnRDL bit.</li> <li>This register can be set when the UAnPWR bit = 0 or the UAnRXE bit = 0.</li> </ul>

a) Before starting the SBF transmission by UAnOPT0.UAnSTT = 1 make sure that no data transfer is ongoing, that means check that UAnSTR.UAnTSF = 0.

### (5) UAnSTR - UARTAn status register

The UAnSTR register is an 8-bit register that displays the UARTAn transfer status and reception error contents.

**Access** This register can be read or written in 8-bit or 1-bit units.

**Address** <base> + 4<sub>H</sub>

**Initial Value** 00<sub>H</sub>. This register is cleared by any reset.

The initialization conditions are shown below.

Register/Bit	Initialization conditions
UAnSTR register	<ul style="list-style-type: none"> <li>Reset</li> <li>UAnCTL0.UAnPWR = 0</li> </ul>
UAnTSF bit	<ul style="list-style-type: none"> <li>UAnCTL0.UAnTXE = 0</li> </ul>
UAnPE, UAnFE, UAnOVE bits	<ul style="list-style-type: none"> <li>0 write</li> <li>UAnCTL0.UAnRXE = 0</li> </ul>

	7	6	5	4	3	2	1	0
UAnTSF	0	0	0	0	0	UAnPE	UAnFE	UAnOVE
	R	R/W	R/W	R/W	R/W	R/W <sup>a</sup>	R/W <sup>a</sup>	R/W <sup>a</sup>

a) These bits can only be cleared by writing, They cannot be set by writing 1 (even if 1 is written, the value is retained).

Table 17-5 UAnSTR register contents

Bit position	Bit name	Function
7	UAnTSF	<p>Transfer status flag:</p> <p>0: – When the UAnPWR bit = 0 or the UAnTXE bit = 0 has been set. – When, following transfer completion, there was no next data transfer from UAnTX register</p> <p>1: Write to UAnTXB bit</p> <p>The UAnTSF bit is always 1 when performing continuous transmission. When initializing the transmission unit, check that the UAnTSF bit = 0 before performing initialization. The transmit data is not guaranteed when initialization is performed while the UAnTSF bit = 1.</p>
2	UAnPE	<p>Parity error flag:</p> <p>0: – When the UAnPWR bit = 0 or the UAnRXE bit = 0 has been set. – When 0 has been written</p> <p>1: When parity of data and parity bit do not match during reception.</p> <ul style="list-style-type: none"> <li>• The operation of the UAnPE bit is controlled by the settings of the UAnCTL0.UAnPS1 and UAnCTL0.UAnPS0 bits.</li> <li>• The UAnPE bit can be read and written, but it can only be cleared by writing 0 to it, and it cannot be set by writing 1 to it. When 1 is written to this bit, the value is retained.</li> </ul>
1	UAnFE	<p>Framing error flag</p> <p>0: – When the UAnPWR bit = 0 or the UAnRXE bit = 0 has been set – When 0 has been written</p> <p>1: When no stop bit is detected during reception</p> <ul style="list-style-type: none"> <li>• Only the first bit of the receive data stop bits is checked, regardless of the value of the UAnCTL0.UAnSL bit.</li> <li>• The UAnFE bit can be both read and written, but it can only be cleared by writing 0 to it, and it cannot be set by writing 1 to it. When 1 is written to this bit, the value is retained.</li> </ul>
0	UAnOVE	<p>Overrun error flag</p> <p>0: – When the UAnPWR bit = 0 or the UAnRXE bit = 0 has been set. – When 0 has been written</p> <p>1: When receive data has been set to the UAnRXB register and the next receive operation is completed before that receive data has been read</p> <ul style="list-style-type: none"> <li>• When an overrun error occurs, the data is discarded without the next receive data being written to the receive buffer.</li> <li>• The UAnOVE bit can be both read and written, but it can only be cleared by writing 0 to it. When 1 is written to this bit, the value is retained.</li> </ul>

**(6) UAnRX - UARTAn receive data register**

The UAnRX register is an 8-bit buffer register that stores parallel data converted by the receive shift register.

The data stored in the receive shift register is transferred to the UAnRX register upon completion of reception of 1 byte of data.

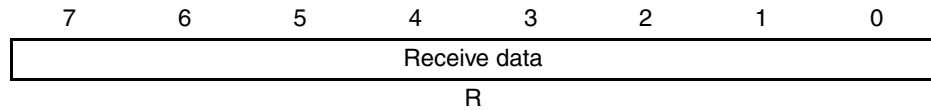
During LSB-first reception when the data length has been specified as 7 bits, the receive data is transferred to bits 6 to 0 of the UAnRX register and the MSB always becomes 0. During MSB-first reception, the receive data is transferred to bits 7 to 1 of the UAnRX register and the LSB always becomes 0.

When an overrun error (UAnOVE) occurs, the receive data at this time is not transferred to the UAnRX register and is discarded.

**Access** This register can be read only in 8-bit units.

**Address** <base> + 6<sub>H</sub>

**Initial Value** FF<sub>H</sub>. This register is cleared by any reset.  
In addition to reset input, the UAnRX register can be set to FF<sub>H</sub> by clearing the UAnCTL0.UAnPWR bit to 0.

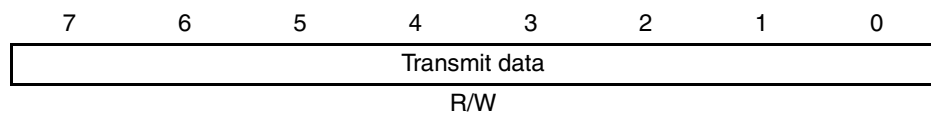
**(7) UAnTX - UARTAn transmit data register**

The UAnTX register is an 8-bit register used to set transmit data.

**Access** This register can be read or written in 8-bit units.

**Address** <base> + 7<sub>H</sub>

**Initial Value** FF<sub>H</sub>. This register is cleared by any reset.



## 17.4 Interrupt Request Signals

The following three interrupt request signals are generated from UARTAn:

- Reception complete interrupt request signal (INTUAnR)
- Receive error interrupt request signal (INTUAnRE)
- Transmission enable interrupt request signal (INTUAnT)

### (1) Reception complete interrupt request signal (INTUAnR)

A reception complete interrupt request signal is output when data is shifted into the receive shift register and transferred to the UAnRX register in the reception enabled status.

In case of erroneous reception, the reception error interrupt INTUAnRE is generated instead of INTUAnR.

No reception complete interrupt request signal is generated in the reception disabled status.

### (2) Receive error interrupt request signal (INTUAnRE)

A receive error interrupt request is generated if an error condition occurred during reception, as reflected by UAnSTR.UAnPE (parity error flag), UAnSTR.UAnFE (framing error flag), UAnSTR.UAnOVE (overrun error flag).

Note that INTUAnR and INTUAnRE do exclude each other: upon correct reception of data only INTUAnR is generated. In case of a reception error INTUAnRE is generated only.

### (3) Transmission enable interrupt request signal (INTUAnT)

If transmit data is transferred from the UAnTX register to the UARTAn transmit shift register with transmission enabled, the transmission enable interrupt request signal is generated.

## 17.5 Operation

### 17.5.1 Data format

Full-duplex serial data reception and transmission is performed.

As shown in the figures below, one data frame of transmit/receive data consists of a start bit, character bits, parity bit, and stop bit(s).

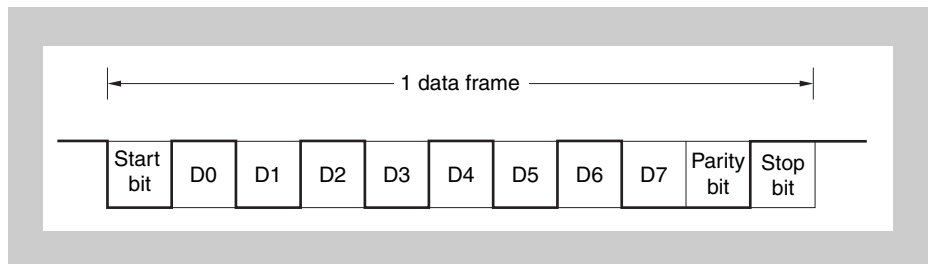
Specification of the character bit length within 1 data frame, parity selection, specification of the stop bit length, and specification of MSB/LSB-first transfer are performed using the UAnCTL0 register.

Moreover, control of UART output/inverted output for the TXDAn bit is performed using the UAnOPT0.UAnTDL bit.

- Start bit.....1 bit
- Character bits.....7 bits/8 bits
- Parity bit .....Even parity/odd parity/0 parity/no parity
- Stop bit.....1 bit/2 bits

#### (1) UARTA transmit/receive data format

##### (a) 8-bit data length, LSB first, even parity, 1 stop bit, transfer data: 55H

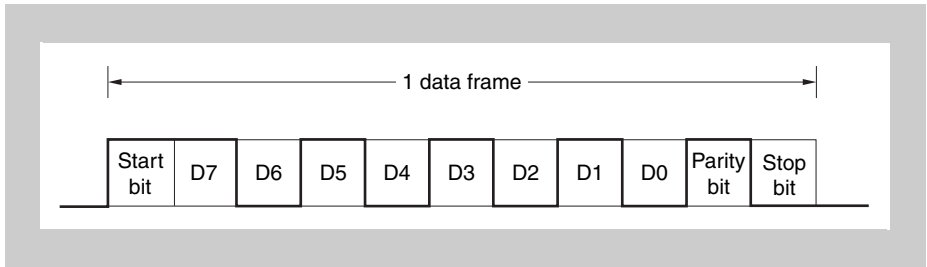


##### (b) 8-bit data length, MSB first, even parity, 1 stop bit, transfer data: 55H





(c) 8-bit data length, MSB first, even parity, 1 stop bit, transfer data: 55H, TXDAn inversion



(d) 7-bit data length, LSB first, odd parity, 2 stop bits, transfer data: 36H



(e) 8-bit data length, LSB first, no parity, 1 stop bit, transfer data: 87H



## 17.5.2 SBF transmission/reception format

The UARTA has an SBF (Sync Break Field) transmission/reception control function to enable use of the LIN function.

**About LIN** LIN stands for Local Interconnect Network and is a low-speed (1 to 20 kbps) serial communication protocol intended to aid the cost reduction of an automotive network.

LIN communication is single-master communication, and up to 15 slaves can be connected to one master.

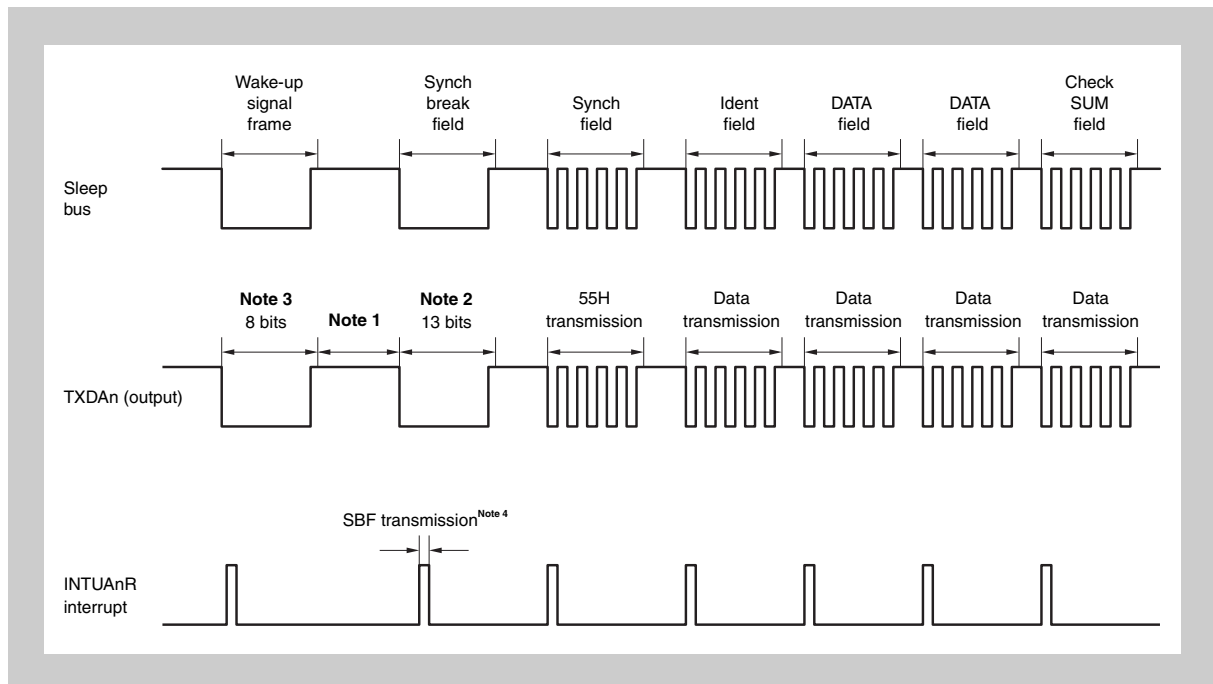
The LIN slaves are used to control the switches, actuators, and sensors, and these are connected to the LIN master via the LIN network.

Normally, the LIN master is connected to a network such as CAN (Controller Area Network).

In addition, the LIN bus uses a single-wire method and is connected to the nodes via a transceiver that complies with ISO9141.

In the LIN protocol, the master transmits a frame with baud rate information and the slave receives it and corrects the baud rate error. Therefore, communication is possible when the baud rate error in the slave is  $\pm 15\%$  or less.

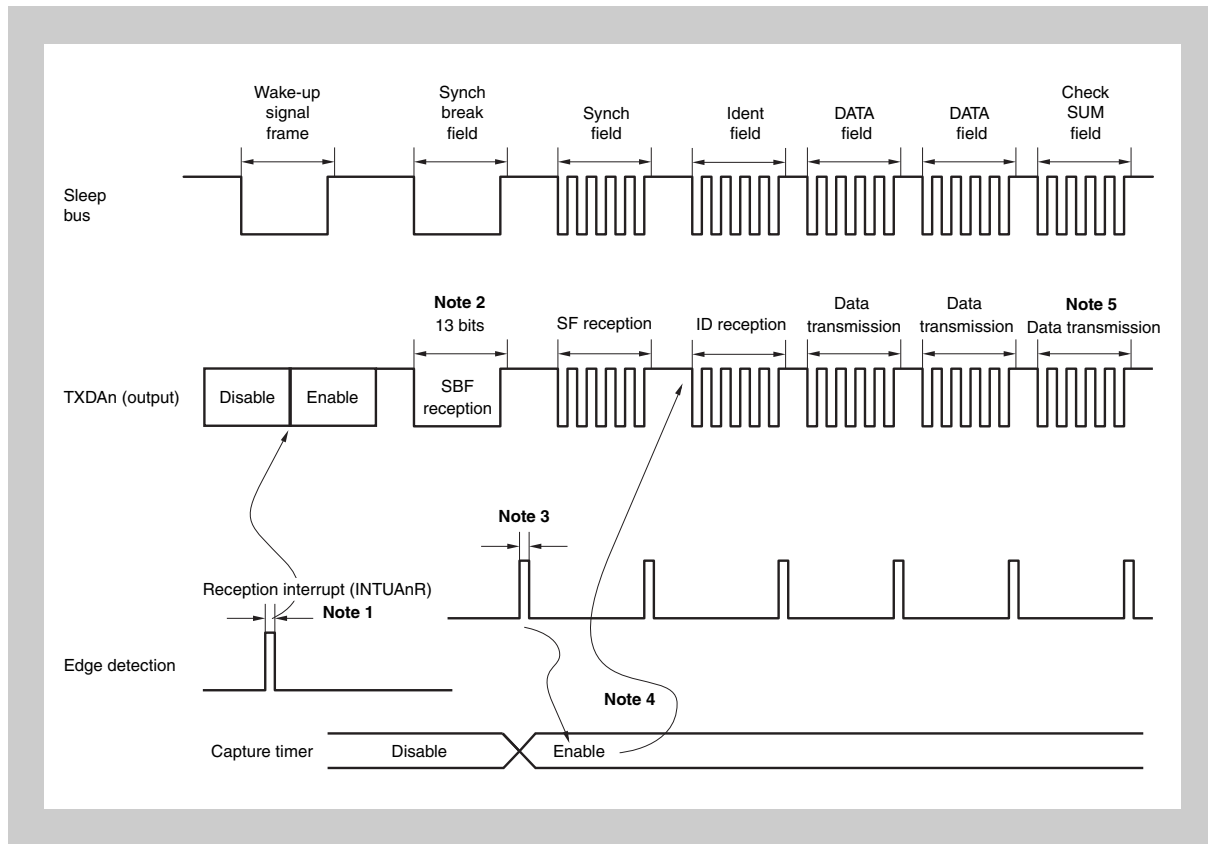
*Figure 17-2 and Figure 17-3 outline the transmission and reception manipulations of LIN.*



**Figure 17-2** LIN transmission manipulation outline

- Note**
1. The interval between each field is controlled by software.
  2. SBF output is performed by hardware. The output width is the bit length set by the UAnOPT0.UAnSBL2 to UAnOPT0.UAnSBL0 bits. If even finer output width adjustments are required, such adjustments can be performed using the UAnCTLn.UAnBRS7 to UAnCTLn.UAnBRS0 bits.
  3. 80H transfer in the 8-bit mode is substituted for the wakeup signal frame.

4. A transmission enable interrupt request signal (INTUAnT) is output at the start of each transmission. The INTUAnT signal is also output at the start of each SBF transmission.



**Figure 17-3** LIN reception manipulation outline

- Note**
1. The wakeup signal is sent by the pin edge detector, UARTAn is enabled, and the SBF reception mode is set.
  2. The receive operation is performed until detection of the stop bit. Upon detection of SBF reception of 11 or more bits, normal SBF reception end is judged, and an interrupt signal is output. Upon detection of SBF reception of less than 11 bits, an SBF reception error is judged, no interrupt signal is output, and the mode returns to the SBF reception mode.
  3. If SBF reception ends normally, an interrupt request signal is output. The timer is enabled by an SBF reception complete interrupt. Moreover, error detection for the UAnSTR.UAnOVE, UAnSTR.UAnPE, and UAnSTR.UAnFE bits is suppressed and UART communication error detection processing and UARTAn receive shift register and data transfer of the UAnRX register are not performed. The UARTAn receive shift register holds the initial value, FFH.
  4. The RXDAn pin is connected to TI (capture input) of the timer, the transfer rate is calculated, and the baud rate error is calculated. The value of the UAnCTL2 register obtained by correcting the baud rate error after dropping UARTA enable is set again, causing the status to become the reception status.
  5. Check-sum field distinctions are made by software. UARTAn is initialized following CSF reception, and the processing for setting the SBF reception mode again is performed by software.

### 17.5.3 SBF transmission

When the UAnCTL0.UAnPWR bit = UAnCTL0.UAnTXE bit = 1, the transmission enabled status is entered, and SBF transmission is started by setting (to 1) the SBF transmission trigger (UAnOPT0.UAnSTT bit).

Thereafter, a low level the width of bits 13 to 20 specified by the UAnOPT0.UAnSBL2 to UAnOPT0.UAnSBL0 bits is output. A transmission enable interrupt request signal (INTUAnT) is generated upon SBF transmission start. Following the end of SBF transmission, the UAnSTT bit is automatically cleared. Thereafter, the UART transmission mode is restored.

Transmission is suspended until the data to be transmitted next is written to the UAnTX register, or until the SBF transmission trigger (UAnSTT bit) is set.

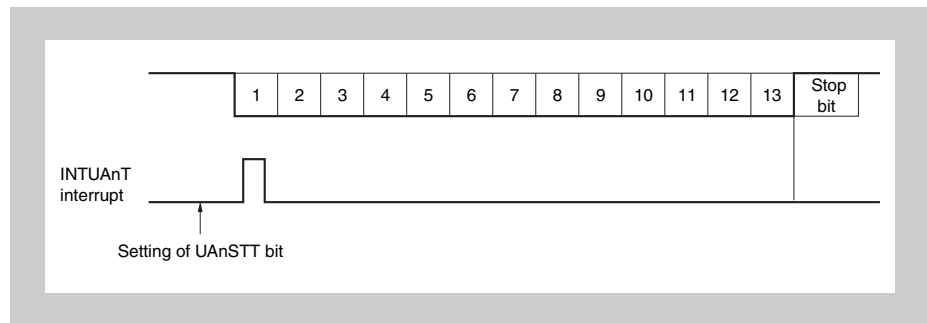


Figure 17-4 SBF transmission

### 17.5.4 SBF reception

The reception enabled status is achieved by setting the UAnCTL0.UAnPWR bit to 1 and then setting the UAnCTL0.UAnRX bit to 1.

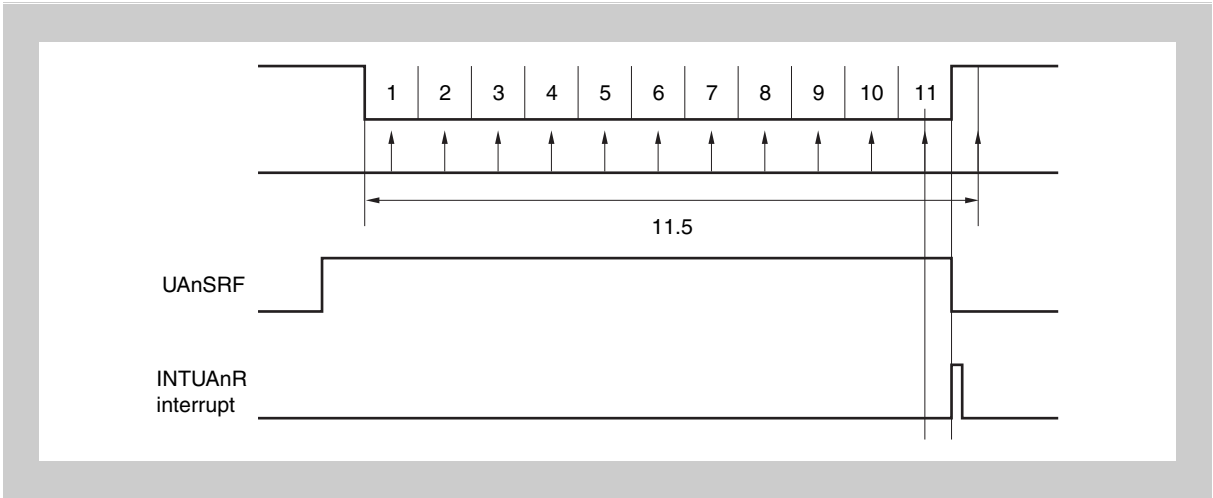
The SBF reception wait status is set by setting the SBF reception trigger (UAnOPT0.UAnSTR bit) to 1.

In the SBF reception wait status, similarly to the UART reception wait status, the RXDAn pin is monitored and start bit detection is performed.

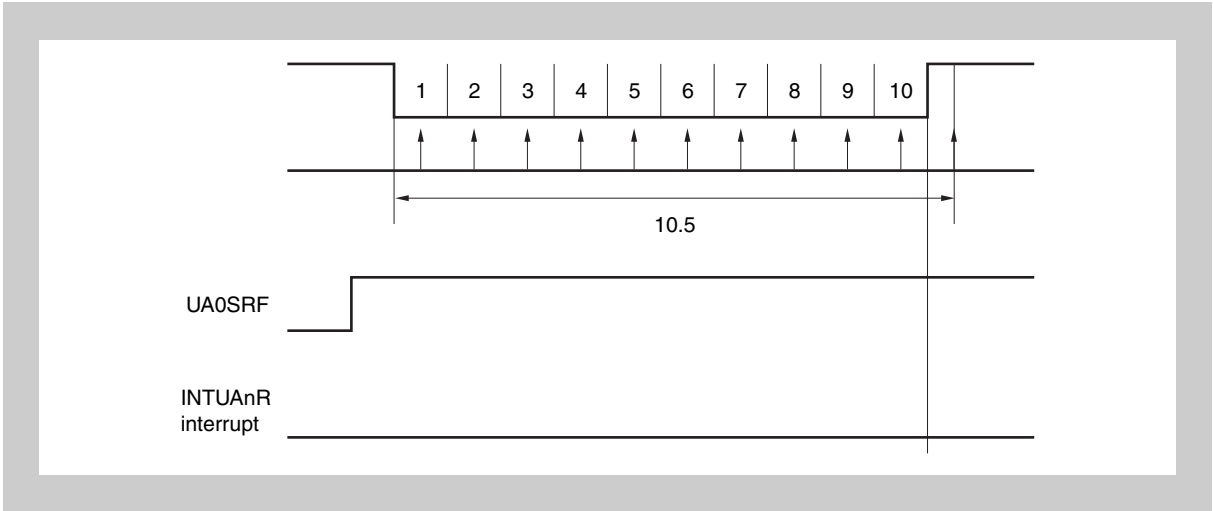
Following detection of the start bit, reception is started and the internal counter counts up according to the set baud rate.

When a stop bit is received, if the SBF width is 11 or more bits, normal processing is judged and a reception complete interrupt request signal (INTUAnR) is output. The UAnOPT0.UAnSRF bit is automatically cleared and SBF reception ends. Error detection for the UAnSTR.UAnOVE, UAnSTR.UAnPE, and UAnSTR.UAnFE bits is suppressed and UART communication error detection processing is not performed. Moreover, data transfer of the UARTAn reception shift register and UAnRX register is not performed and FFH, the initial value, is held. If the SBF width is 10 or fewer bits, reception is terminated as error processing without outputting an interrupt, and the SBF reception mode is returned to. The UAnSRF bit is not cleared at this time.

(a) Normal SBF reception (detection of stop bit in more than 10.5 bits)



(b) SBF reception error (detection of stop bit in 10.5 or fewer bits)



### 17.5.5 UART transmission

A high level is output to the TXDAn pin by setting the UAnCTL0.UAnPWR bit to 1.

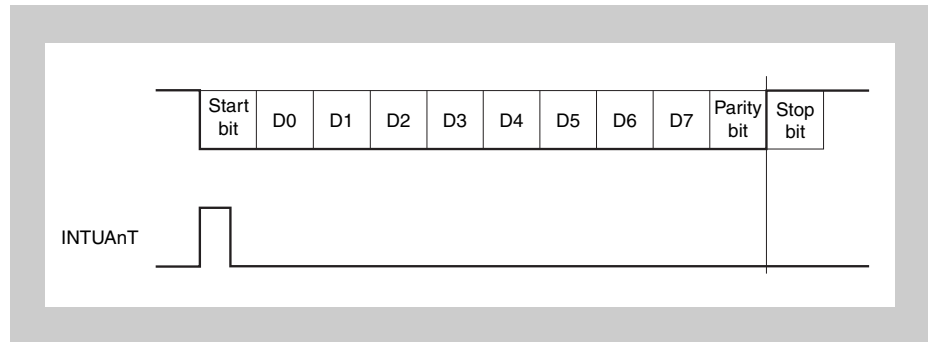
Next, the transmission enabled status is set by setting the UAnCTL0.UAnTXE bit to 1, and transmission is started by writing transmit data to the UAnTX register. The start bit, parity bit, and stop bit are automatically added.

Since the CTS (transmit enable signal) input pin is not provided in UARTAn, use a port to check that reception is enabled at the transmit destination.

The data in the UAnTX register is transferred to the UARTAn transmit shift register upon the start of the transmit operation.

A transmission enable interrupt request signal (INTUAnT) is generated upon completion of transmission of the data of the UAnTX register to the UARTAn transmit shift register, and thereafter the contents of the UARTAn transmit shift register are output to the TXDAn pin.

Write of the next transmit data to the UAnTX register is enabled by generating the INTUAnT signal.



**Note** LSB first

### 17.5.6 Continuous transmission procedure

UARTAn can write the next transmit data to the UAnTX register when the UARTAn transmit shift register starts the shift operation. The transmit timing of the UARTAn transmit shift register can be judged from the transmission enable interrupt request signal (INTUAnT).

An efficient communication rate is realized by writing the data to be transmitted next to the UAnTX register during transfer.

**Caution** During continuous transmission execution, perform initialization after checking that the UAnSTR.UAnTSF bit is 0. The transmit data cannot be guaranteed when initialization is performed while the UAnTSF bit is 1.

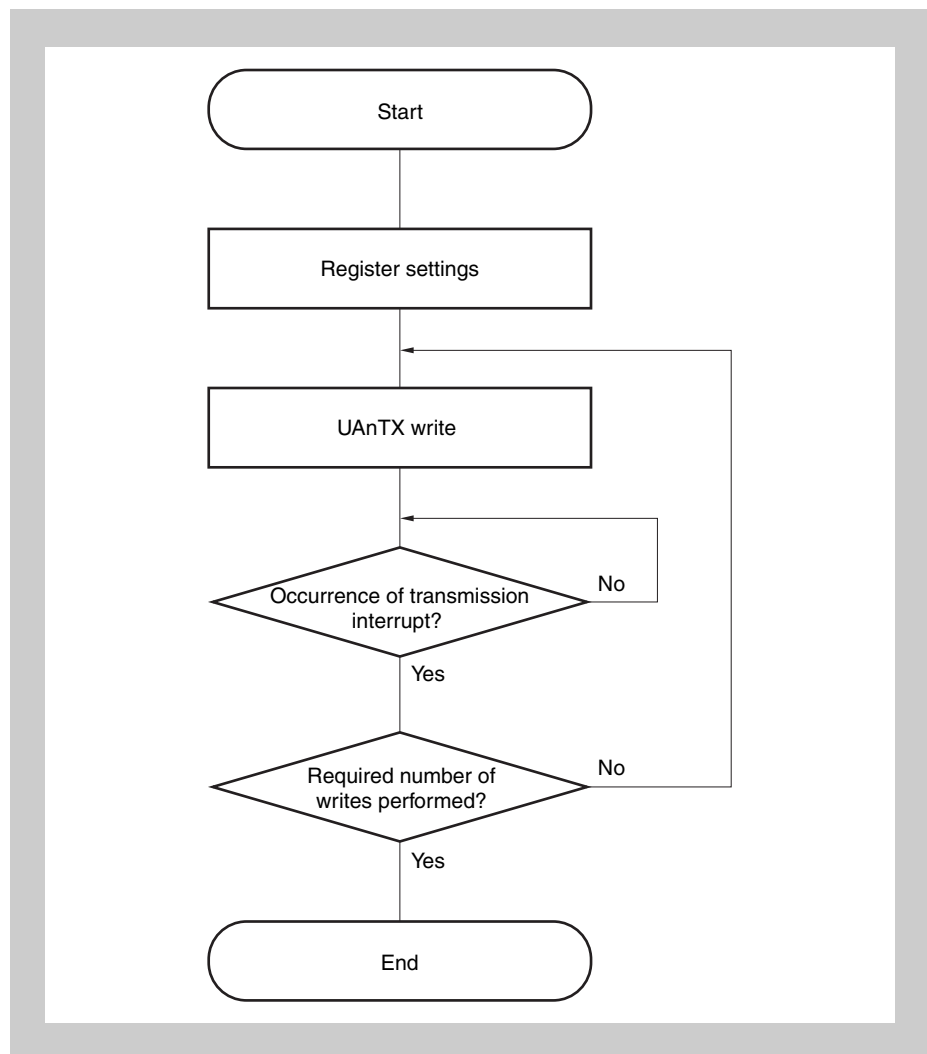


Figure 17-5 Continuous transmission processing flow

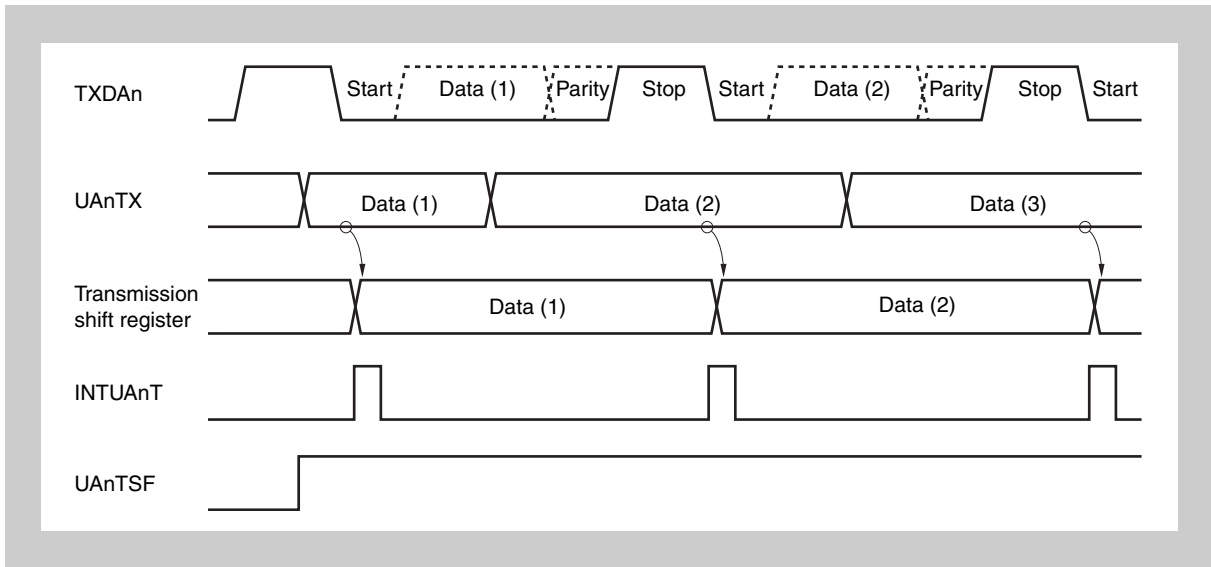


Figure 17-6 Continuous transmission operation timing —transmission start

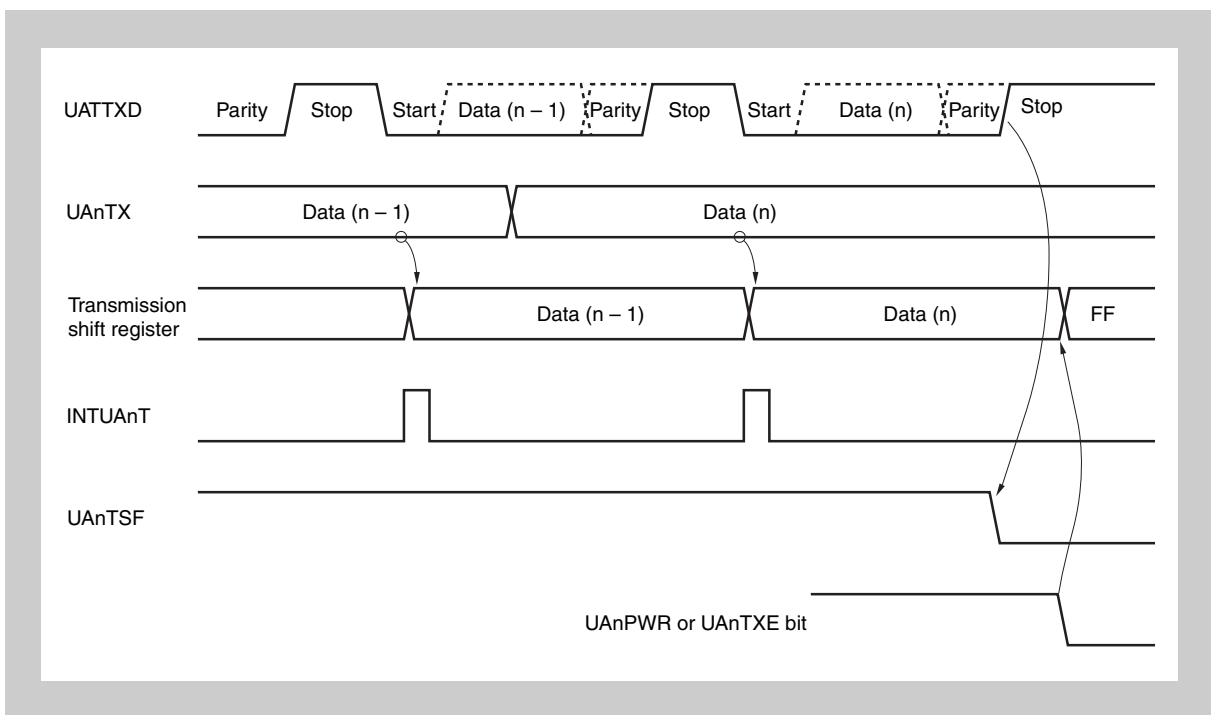


Figure 17-7 Continuous transmission operation timing—transmission end



### 17.5.7 UART reception

The reception wait status is set by setting the UAnCTL0.UAnPWR bit to 1 and then setting the UAnCTL0.UAnRXE bit to 1. In the reception wait status, the RXDAn pin is monitored and start bit detection is performed.

Start bit detection is performed using a two-step detection routine.

First the rising edge of the RXDAn pin is detected and sampling is started at the falling edge. The start bit is recognized if the RXDAn pin is low level at the start bit sampling point. After a start bit has been recognized, the receive operation starts, and serial data is saved to the UARTAn receive shift register according to the set baud rate.

When the reception complete interrupt request signal (INTUAnR) is output upon reception of the stop bit, the data of the UARTAn receive shift register is written to the UAnRX register. However, if an overrun error (UAnSTR.UAnOVE bit) occurs, the receive data at this time is not written to the UAnRX register and is discarded.

Even if a parity error (UAnSTR.UAnPE bit) or a framing error (UAnSTR.UAnFE bit) occurs during reception, reception continues until the reception position of the first stop bit, and INTUAnR is output following reception completion.

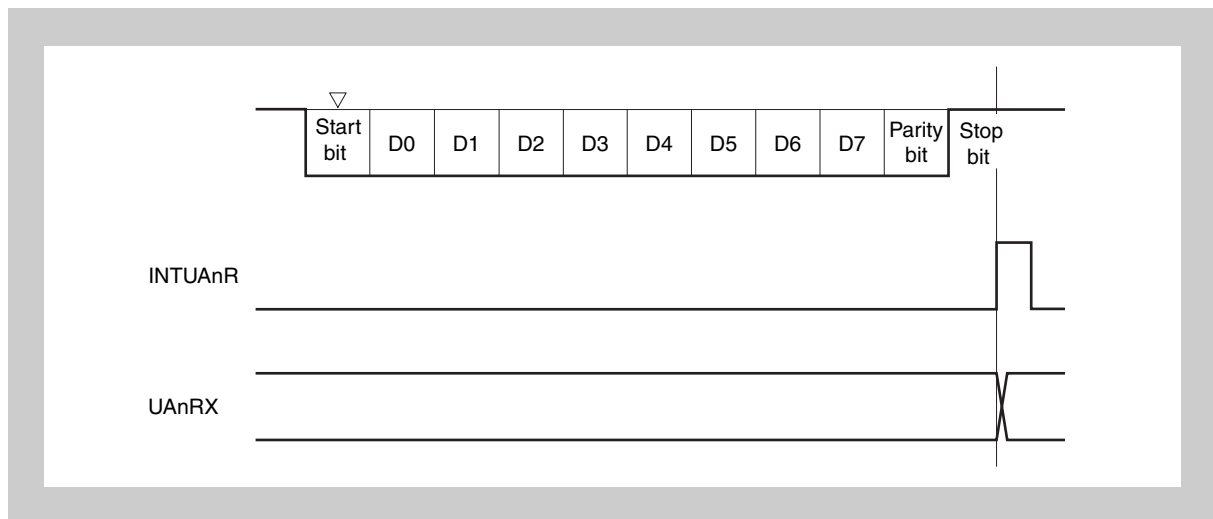


Figure 17-8 UART reception

- Caution**
1. Be sure to read the UAnRX register even when a reception error occurs. If the UAnRX register is not read, an overrun error occurs during reception of the next data, and reception errors continue occurring indefinitely.
  2. The operation during reception is performed assuming that there is only one stop bit. A second stop bit is ignored.
  3. When reception is completed, read the UAnRX register after the reception complete interrupt request signal (INTUAnR) has been generated, and clear the UAnPWR or UAnRXE bit to 0. If the UAnPWR or UAnRXE bit is cleared to 0 before the INTUAnR signal is generated, the read value of the UAnRX register cannot be guaranteed.

4. If receive completion processing (INTUAnR signal generation) of UARTAn and the UAnPWR bit = 0 or UAnRXE bit = 0 conflict, the INTUAnR signal may be generated in spite of these being no data stored in the UAnRX register.

To complete reception without waiting INTUAnR signal generation, be sure to clear (0) the interrupt request flag (UAnRIF) of the UAnRIC register, after setting (1) the interrupt mask flag (UAnRMK) of the interrupt control register (UAnRIC) and then set (1) the UAnPWR bit = 0 or UAnRXE bit = 0.

### 17.5.8 Reception errors

Errors during a receive operation are of three types: parity errors, framing errors, and overrun errors. Data reception result error flags are set in the UAnSTR register and a reception error interrupt request signal (INTUAnRE) is output when an error occurs.

It is possible to ascertain which error occurred during reception by reading the contents of the UAnSTR register.

Clear the reception error flag by writing 0 to it after reading it.

Table 17-6 Reception error causes

Error flag	Reception error	Cause
UAnPE	Parity error	Received parity bit does not match the setting
UAnFE	Framing error	Stop bit not detected
UAnOVE	Overrun error	Reception of next data completed before data was read from receive buffer

**Note** Note that even in case of a parity or framing error, data is transferred from the receive shift register to the receive data register UAnRX. Consequently the data from UAnRX must be read. Otherwise an overrun error UAnSTR.UAnOVE will occur at reception of the next data.

In case of an overrun error, the receive shift register data is not transferred to UAnRX, thus the previous data is not overwritten.

### 17.5.9 Parity types and operations

---

**Caution** When using the LIN function, fix the UAnPS1 and UAnPS0 bits of the UAnCTL0 register to 00.

---

The parity bit is used to detect bit errors in the communication data. Normally the same parity is used on the transmission side and the reception side.

In the case of even parity and odd parity, it is possible to detect odd-count bit errors. In the case of 0 parity and no parity, errors cannot be detected.

**(1) Even parity**

- During transmission  
The number of bits whose value is “1” among the transmit data, including the parity bit, is controlled so as to be an even number. The parity bit values are as follows.
  - Odd number of bits whose value is “1” among transmit data:1
  - Even number of bits whose value is “1” among transmit data:0
- During reception  
The number of bits whose value is “1” among the reception data, including the parity bit, is counted, and if it is an odd number, a parity error is output.

**(2) Odd parity**

- During transmission  
Opposite to even parity, the number of bits whose value is “1” among the transmit data, including the parity bit, is controlled so that it is an odd number. The parity bit values are as follows.
  - Odd number of bits whose value is “1” among transmit data: 0
  - Even number of bits whose value is “1” among transmit data: 1
- During reception  
The number of bits whose value is “1” among the receive data, including the parity bit, is counted, and if it is an even number, a parity error is output.

**(3) 0 parity**

During transmission, the parity bit is always made 0, regardless of the transmit data.

During reception, parity bit check is not performed. Therefore, no parity error occurs, regardless of whether the parity bit is 0 or 1.

**(4) No parity**

No parity bit is added to the transmit data.

Reception is performed assuming that there is no parity bit. No parity error occurs since there is no parity bit.

### 17.5.10 Receive data noise filter

This filter samples the RXDAn pin using the base clock of the prescaler output.

When the same sampling value is read twice, the match detector output changes and the RXDAn signal is sampled as the input data. Therefore, data not exceeding 2 clock width is judged to be noise and is not delivered to the internal circuit (see Figure 17-10). See “Base clock” on page 599 regarding the base clock.

Moreover, since the circuit is as shown in Figure 17-9, the processing that goes on within the receive operation is delayed by 3 clocks in relation to the external signal status.

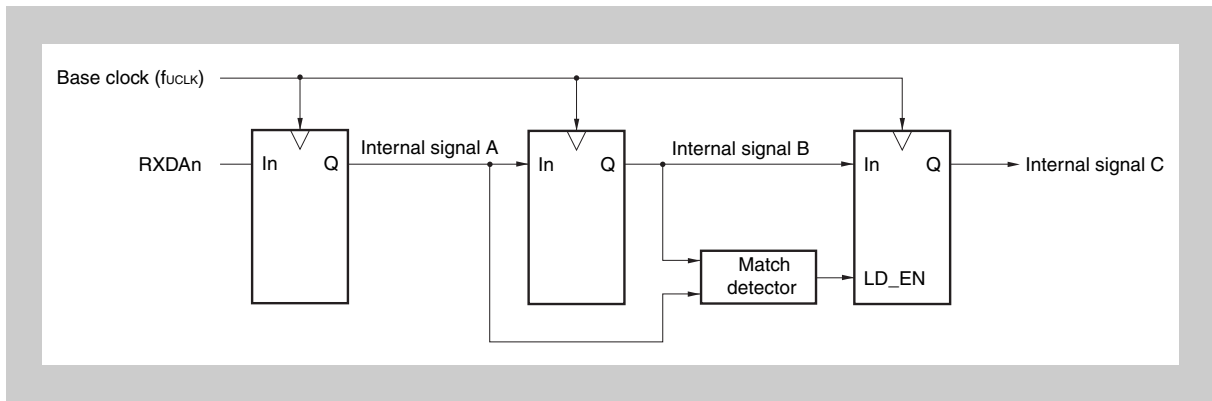
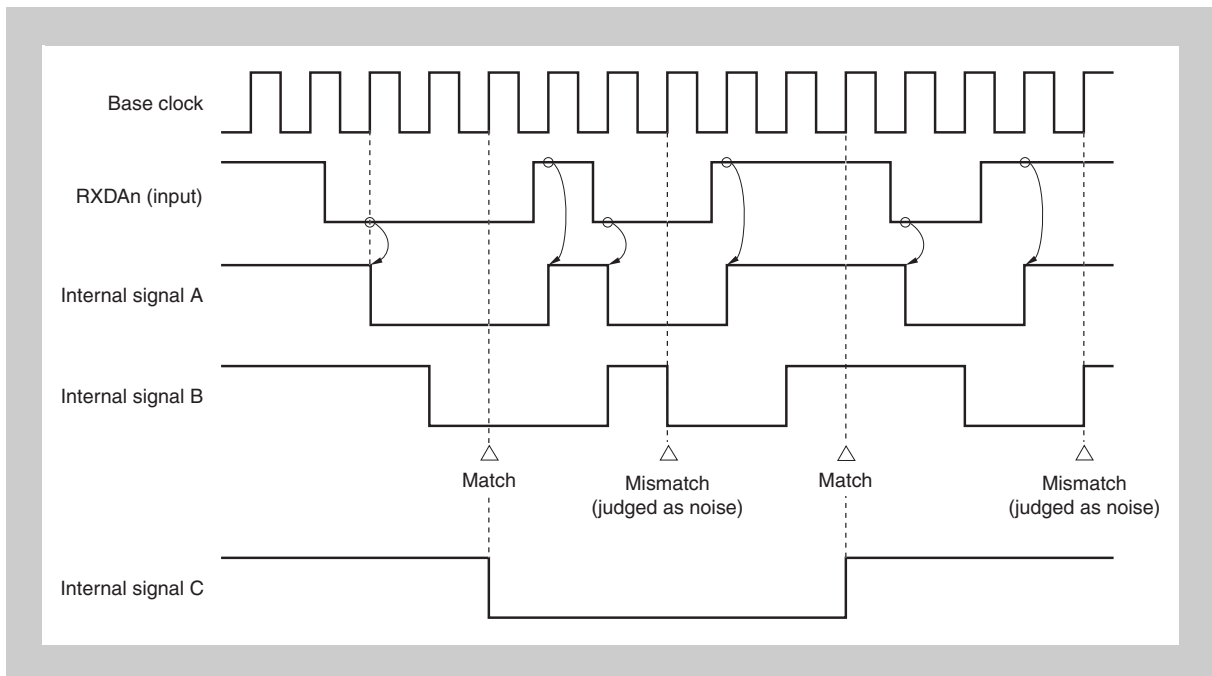


Figure 17-9 Noise filter circuit



www.DataSheet4U.com Figure 17-10 Timing of RXDAn signal judged as noise

## 17.6 Baud Rate Generator

The dedicated baud rate generator consists of a source clock selector block and an 8-bit programmable counter, and generates a serial clock during transmission and reception with UARTAn. Regarding the serial clock, a dedicated baud rate generator output can be selected for each channel.

There is an 8-bit counter for transmission and another one for reception.

### 17.6.1 Baud Rate Generator configuration

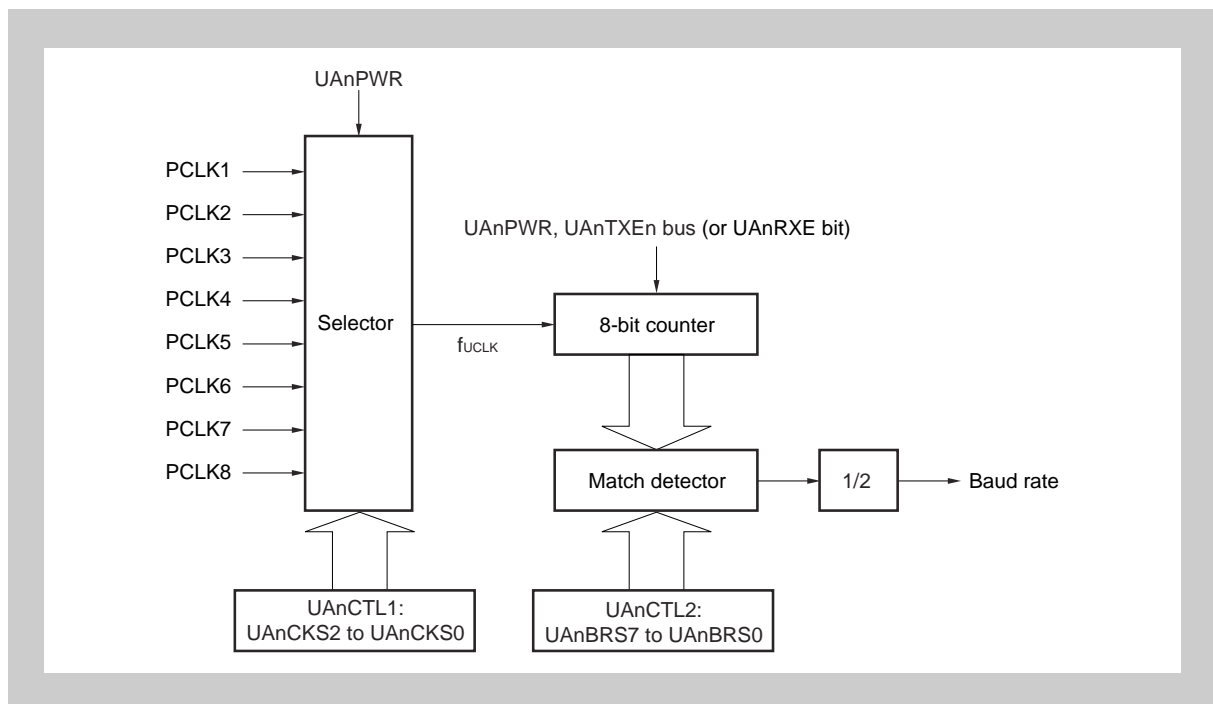


Figure 17-11 Configuration of baud rate generator

#### (a) Base clock

When the UAnCTL0.UAnPWR bit is 1, the clock selected by the UAnCTL1.UAnCKS[2:0] bits is supplied to the 8-bit counter. This clock is called the base clock. When the UAnPWR bit = 0,  $f_{UCLK}$  is fixed to the low level.

#### (b) Serial clock generation

A serial clock can be generated by setting the UAnCTL1 register and the UAnCTL2 register.

The base clock is selected by UAnCTL1.UAnCKS2 to UAnCTL1.UAnCKS0 bits.

The frequency division value for the 8-bit counter can be set using the UAnCTL2.UAnBRS[7:0] bits.

## 17.6.2 Baud Rate Generator registers

### (1) UAnCTL1 - UARTAn control register 1

The UAnCTL1 register is an 8-bit register that selects the UARTAn base clock.

**Access** This register can be read or written in 8-bit units.

**Address** <base> + 1<sub>H</sub>

**Initial Value** 00<sub>H</sub>. This register is cleared by any reset.

7	6	5	4	3	2	1	0
0	0	0	0	0	UAnCKS2	UAnCKS1	UAnCKS0
R	R	R	R	R	R/W	R/W	R/W

**Caution** Clear the UAnCTL0.UAnPWR bit to 0 before rewriting the UAnCTL1 register.

Table 17-7 UAnCTL1 register contents

Bit position	Bit name	Function																																				
2 to 0	UAnCKS[2:0]	Base clock $f_{UCLK}$ selection: <table border="1" style="margin-left: 20px;"> <thead> <tr> <th>UAnCKS2</th> <th>UAnCKS1</th> <th>UAnCKS0</th> <th>Base clock <math>f_{UCLK}</math></th> </tr> </thead> <tbody> <tr> <td style="text-align: center;">0</td> <td style="text-align: center;">0</td> <td style="text-align: center;">0</td> <td>PCLK1</td> </tr> <tr> <td style="text-align: center;">0</td> <td style="text-align: center;">0</td> <td style="text-align: center;">1</td> <td>PCLK2</td> </tr> <tr> <td style="text-align: center;">0</td> <td style="text-align: center;">1</td> <td style="text-align: center;">0</td> <td>PCLK3</td> </tr> <tr> <td style="text-align: center;">0</td> <td style="text-align: center;">1</td> <td style="text-align: center;">1</td> <td>PCLK4</td> </tr> <tr> <td style="text-align: center;">1</td> <td style="text-align: center;">0</td> <td style="text-align: center;">0</td> <td>PCLK5</td> </tr> <tr> <td style="text-align: center;">1</td> <td style="text-align: center;">0</td> <td style="text-align: center;">1</td> <td>PCLK6</td> </tr> <tr> <td style="text-align: center;">1</td> <td style="text-align: center;">1</td> <td style="text-align: center;">0</td> <td>PCLK7</td> </tr> <tr> <td style="text-align: center;">1</td> <td style="text-align: center;">1</td> <td style="text-align: center;">1</td> <td>PCLK8</td> </tr> </tbody> </table>	UAnCKS2	UAnCKS1	UAnCKS0	Base clock $f_{UCLK}$	0	0	0	PCLK1	0	0	1	PCLK2	0	1	0	PCLK3	0	1	1	PCLK4	1	0	0	PCLK5	1	0	1	PCLK6	1	1	0	PCLK7	1	1	1	PCLK8
UAnCKS2	UAnCKS1	UAnCKS0	Base clock $f_{UCLK}$																																			
0	0	0	PCLK1																																			
0	0	1	PCLK2																																			
0	1	0	PCLK3																																			
0	1	1	PCLK4																																			
1	0	0	PCLK5																																			
1	0	1	PCLK6																																			
1	1	0	PCLK7																																			
1	1	1	PCLK8																																			

**(2) UAnCTL2 - UARTAn control register 2**

The UAnCTL2 register is an 8-bit register that selects the baud rate (serial transfer speed) clock of UARTAn.

**Access** This register can be read or written in 8-bit units.

**Address** <base> + 1<sub>H</sub>

**Initial Value** FF<sub>H</sub>. This register is cleared by any reset.

7	6	5	4	3	2	1	0
UAnBRS7	UAnBRS6	UAnBRS5	UAnBRS4	UAnBRS3	UAnBRS2	UAnBRS1	UAnBRS0
R	R	R	R	R	R/W	R/W	R/W

**Caution** Clear the UAnCTL0.UAnPWR bit to 0 or clear the UAnTXE and UAnRXE bits to 00 before rewriting the UAnCTL2 register.

Table 17-8 UAnCTL2 register contents

Bit position	Bit name	Function																																																																																																				
2 to 0	UAnBRS[7:0]	Serial clock setting																																																																																																				
		<table border="1"> <thead> <tr> <th>UAn BR S7</th> <th>UAn BR S6</th> <th>UAn BR S5</th> <th>UAn BR S4</th> <th>UAn BR S3</th> <th>UAn BR S2</th> <th>UAn BR S1</th> <th>UAn BR S0</th> <th>k</th> <th>Serial clock</th> </tr> </thead> <tbody> <tr> <td>0</td> <td>0</td> <td>0</td> <td>0</td> <td>0</td> <td>0</td> <td>x</td> <td>x</td> <td>x</td> <td>Setting prohibited</td> </tr> <tr> <td>0</td> <td>0</td> <td>0</td> <td>0</td> <td>0</td> <td>1</td> <td>0</td> <td>0</td> <td>4</td> <td>f<sub>UCLK</sub>/4</td> </tr> <tr> <td>0</td> <td>0</td> <td>0</td> <td>0</td> <td>0</td> <td>1</td> <td>0</td> <td>1</td> <td>5</td> <td>f<sub>UCLK</sub>/5</td> </tr> <tr> <td>0</td> <td>0</td> <td>0</td> <td>0</td> <td>0</td> <td>1</td> <td>1</td> <td>0</td> <td>6</td> <td>f<sub>UCLK</sub>/6</td> </tr> <tr> <td>:</td> <td>:</td> <td>:</td> <td>:</td> <td>:</td> <td>:</td> <td>:</td> <td>:</td> <td>:</td> <td>:</td> </tr> <tr> <td>1</td> <td>1</td> <td>1</td> <td>1</td> <td>1</td> <td>1</td> <td>0</td> <td>0</td> <td>252</td> <td>f<sub>UCLK</sub>/252</td> </tr> <tr> <td>1</td> <td>1</td> <td>1</td> <td>1</td> <td>1</td> <td>1</td> <td>0</td> <td>1</td> <td>253</td> <td>f<sub>UCLK</sub>/253</td> </tr> <tr> <td>1</td> <td>1</td> <td>1</td> <td>1</td> <td>1</td> <td>1</td> <td>1</td> <td>0</td> <td>254</td> <td>f<sub>UCLK</sub>/254</td> </tr> <tr> <td>1</td> <td>1</td> <td>1</td> <td>1</td> <td>1</td> <td>1</td> <td>1</td> <td>1</td> <td>255</td> <td>f<sub>UCLK</sub>/255</td> </tr> </tbody> </table>	UAn BR S7	UAn BR S6	UAn BR S5	UAn BR S4	UAn BR S3	UAn BR S2	UAn BR S1	UAn BR S0	k	Serial clock	0	0	0	0	0	0	x	x	x	Setting prohibited	0	0	0	0	0	1	0	0	4	f <sub>UCLK</sub> /4	0	0	0	0	0	1	0	1	5	f <sub>UCLK</sub> /5	0	0	0	0	0	1	1	0	6	f <sub>UCLK</sub> /6	:	:	:	:	:	:	:	:	:	:	1	1	1	1	1	1	0	0	252	f <sub>UCLK</sub> /252	1	1	1	1	1	1	0	1	253	f <sub>UCLK</sub> /253	1	1	1	1	1	1	1	0	254	f <sub>UCLK</sub> /254	1	1	1	1	1	1	1	1	255	f <sub>UCLK</sub> /255
UAn BR S7	UAn BR S6	UAn BR S5	UAn BR S4	UAn BR S3	UAn BR S2	UAn BR S1	UAn BR S0	k	Serial clock																																																																																													
0	0	0	0	0	0	x	x	x	Setting prohibited																																																																																													
0	0	0	0	0	1	0	0	4	f <sub>UCLK</sub> /4																																																																																													
0	0	0	0	0	1	0	1	5	f <sub>UCLK</sub> /5																																																																																													
0	0	0	0	0	1	1	0	6	f <sub>UCLK</sub> /6																																																																																													
:	:	:	:	:	:	:	:	:	:																																																																																													
1	1	1	1	1	1	0	0	252	f <sub>UCLK</sub> /252																																																																																													
1	1	1	1	1	1	0	1	253	f <sub>UCLK</sub> /253																																																																																													
1	1	1	1	1	1	1	0	254	f <sub>UCLK</sub> /254																																																																																													
1	1	1	1	1	1	1	1	255	f <sub>UCLK</sub> /255																																																																																													

**Note** f<sub>UCLK</sub>: clock frequency selected by UAnCTL1.UAnCKS[2:0]

### 17.6.3 Baud rate calculation

The baud rate is obtained by the following equation.

$$\text{Baud rate} = \frac{f_{\text{UCLK}}}{2 \times k} \text{ [bps]}$$

$f_{\text{UCLK}}$  = Frequency of base clock selected by the UAnCTL1.UAnCKs[2:0]

$k$  = Value set using the UAnCTL2.UAnBRS[7:0] bits  
( $k = 4, 5, 6, \dots, 255$ )

### 17.6.4 Baud rate error

The baud rate error is obtained by the following equation.

$$\text{Error (\%)} = \left( \frac{\text{Actual baud rate (baud rate with error)}}{\text{Target baud rate (correct baud rate)}} - 1 \right) \times 100 \text{ [\%]}$$

- Caution**
1. The baud rate error during transmission must be within the error tolerance on the receiving side.
  2. The baud rate error during reception must satisfy the range indicated in (7) Allowable baud rate range during reception.

**Example** Base clock frequency = 8MHz

Setting value of

- UAnDTL1.UAnCKs[2:0] = 001B (PCLK2 = 4MHz)

- UAnCTL2.UAnBRS[7:0] = 0000 1101B ( $k = 13$ )

Target baud rate = 153,600 bps

$$\text{Baud rate} = 4\text{MHz} / (2 \times 13) = 153,846 \text{ [bps]}$$

$$\begin{aligned} \text{Error} &= (153,846/153,600 - 1) \times 100 \\ &= 0.160 \text{ [\%]} \end{aligned}$$

### 17.6.5 Baud rate setting example

Table 17-9 Baud rate generator setting data (1/2)

Target baud rate [bps]	UAnCTL1		UAnCTL2		Effective baud rate [bps]	Baud rate error (%)
	Selector	Divider	Divider k			
300	07H	128	68H	104	300.48	0.16
600	07H	128	34H	52	600.96	0.16
1,200	07H	128	1AH	26	1,201.92	0.16
2,400	07H	128	0DH	13	2,403.85	0.16
4,800	06H	64	0DH	13	4,807.69	0.16
9,600	05H	32	0DH	13	9,615.38	0.16
19,200	04H	16	0DH	13	19,230.77	0.16
31,250	05H	32	04H	4	31,250.00	0.00



Table 17-9 Baud rate generator setting data (2/2)

38,400	03H	8	0DH	13	38,461.54	0.16
76,800	02H	4	0DH	13	76,923.08	0.16
153,600	01H	2	0DH	13	153,846.15	0.16
312,500	00H	1	0DH	13	307,692.31	-1.54

**Note** Table 17-9 assumes normal operation mode, i.e. PCLK1 = 8 MHz.

### 17.6.6 Allowable baud rate range during reception

The baud rate error range at the destination that is allowable during reception is shown below.

**Caution** The baud rate error during reception must be set within the allowable error range using the following equation.

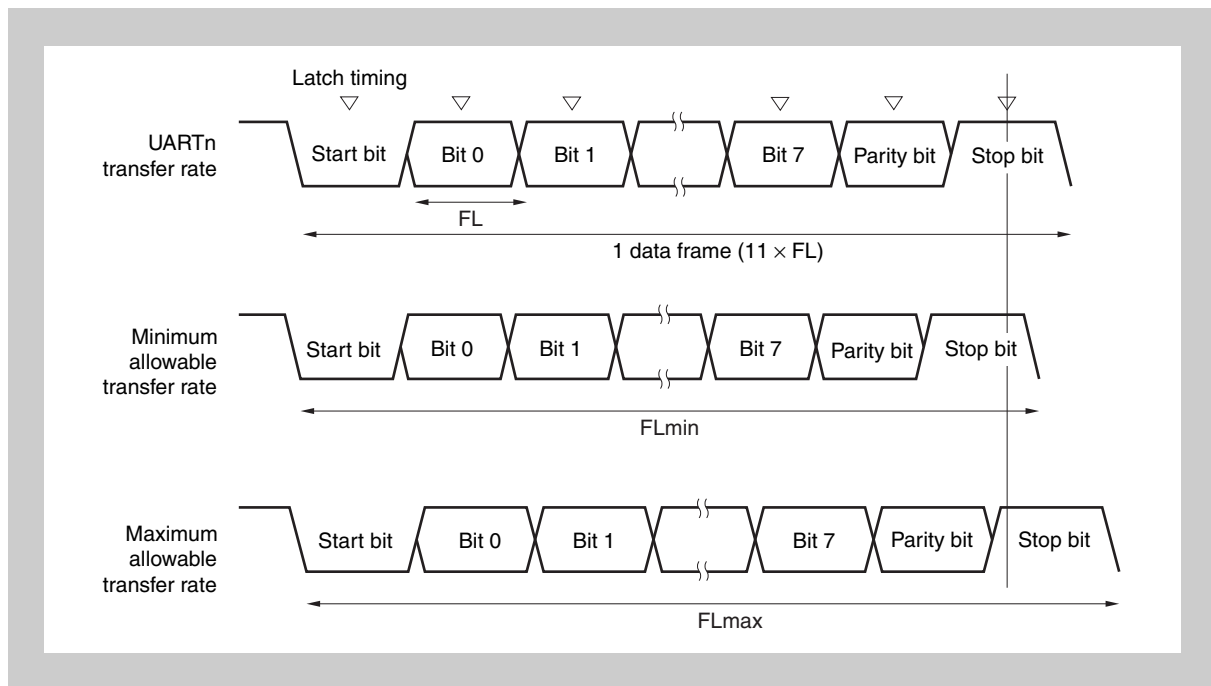


Figure 17-12 Allowable baud rate range during reception

As shown in Figure 17-12, the receive data latch timing is determined by the counter set using the UAnCTL2 register following start bit detection. The transmit data can be normally received if up to the last data (stop bit) can be received in time for this latch timing.

When this is applied to 11-bit reception, the following is the theoretical result.

$$FL = (\text{Brate})^{-1}$$

Brate: UARTAn baud rate

k: Setting value of UAnCTL2.UAnBRS[7:0]

FL: 1-bit data length  
 Latch timing margin: 2 clocks

Minimum allowable transfer rate:

$$FL_{\min} = 11 \times FL - \frac{k-2}{2k} \times FL = \frac{21k+2}{2k} \times FL$$

Therefore, the maximum baud rate that can be received by the destination is as follows.

$$BR_{\max} = (FL_{\min} / 11)^{-1} = \frac{22k}{21k+2} \times Brat$$

Similarly, obtaining the following maximum allowable transfer rate yields the following.

$$\frac{10}{11} \times FL_{\max} = 11 \times FL - \frac{k+2}{2k} \times FL = \frac{21k-2}{2k} \times FL$$

$$FL_{\max} = \frac{21k-2}{20k} \times FL \times 11$$

Therefore, the minimum baud rate that can be received by the destination is as follows.

$$BR_{\min} = (FL_{\max} / 11)^{-1} = \frac{20k}{21k-2} \times Brat$$

Obtaining the allowable baud rate error for UARTA and the destination from the above-described equations for obtaining the minimum and maximum baud rate values yields the following.

**Table 17-10** Maximum/minimum allowable baud rate error

Division ratio (k)	Maximum allowable baud rate error	Minimum allowable baud rate error
4	+2.32%	-2.43%
8	+3.52%	-3.61%
20	+4.26%	-4.30%
50	+4.56%	-4.58%
100	+4.66%	-4.67%
255	+4.72%	-4.72%

- Note**
1. The reception accuracy depends on the bit count in 1 frame, the input clock frequency, and the division ratio (k). The higher the input clock frequency and the larger the division ratio (k), the higher the accuracy.
  2. k: Setting value of UAnCTL2.UAnBRS[7:0]

### 17.6.7 Baud rate during continuous transmission

During continuous transmission, the transfer rate from the stop bit to the next start bit is usually 2 base clocks longer. However, timing initialization is performed via start bit detection by the receiving side, so this has no influence on the transfer result.

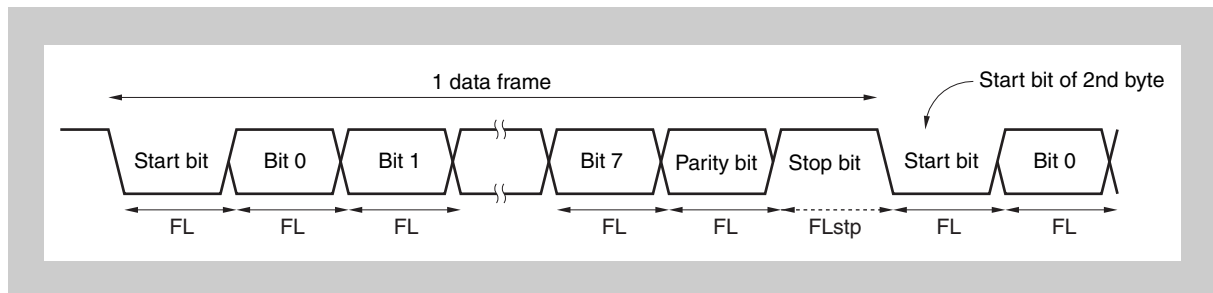


Figure 17-13 Transfer rate during continuous transfer

Assuming 1 bit data length:  $FL$ ; stop bit length:  $FL_{stp}$ ; and base clock frequency:  $f_{uCLK}$ , we obtain the following equation.

$$FL_{stp} = FL + 2/f_{uCLK}$$

Therefore, the transfer rate during continuous transmission is as follows.

$$\text{Transfer rate} = 11 \times FL + (2/f_{uCLK})$$

## 17.7 Cautions

### 17.7.1 UARTAn behaviour during and after power save mode

When the clock supply to UARTAn is stopped (for example, in IDLE or STOP mode), the operation stops with each register retaining the value it had immediately before the clock supply was stopped. The TXDAn pin output also holds and outputs the value it had immediately before the clock supply was stopped. However, the operation is not guaranteed after the clock supply is resumed. Therefore, after the clock supply is resumed, the circuits should be initialized by setting the UAnCTL0.UAnPWR, UAnCTL0.UAnRXEn, and UAnCTL0.UAnTXEn bits to 000.

### 17.7.2 UARTAn behaviour during debugger break

The UARTAn continues to operate in debugger break-mode, provided all clocks are continuing.

**Reception** When the UARTAn is in reception mode and an external device is sending data during debugger break-mode the UARTAn may produce an overflow error as it continues to receive data during break-mode.

Thus the overflow error flag UAnSTR.UAnOVE may be set and the reception error interrupt INTUAnRE may be generated. Further all following received data are discarded.

Note that the reception error interrupt INTUAnRE will not be served during break-mode, but after resuming run-mode, provided the interrupt controller is configured accordingly.

**Transmission** If the debugger's break-mode is entered while the UARTAn is transmitting data, the transmission is completed, and finally a transmission enable interrupt request INTUAnT is generated.

Note that the transmission enable interrupt INTUAnT will not be served during break-mode, but after resuming run-mode, provided the interrupt controller is configured accordingly.

**DMA reception** If the DMA controller is used to fetch received data from the UAnRX register, the DMA controller continues to do so in debugger break-mode, but the data in UAnRX is not tagged as already read. Thus the next receive data during break-mode will generate an overflow error, as described above.

If the specified number of data units in the DBCn register has been fetched from the UARTAn the DCHCn.TCn is set and the DMA completion interrupt INTDMAAn is generated. The INTDMAAn request is served after resuming run-mode.

Since the DMA trigger interrupt INTUAnR is not generated in case of an overflow (the INTUAnRE interrupt is generated instead), no further DMA triggers occur. Only the first received data in break-mode is transferred by the DMA, all following data are discarded.

**DMA transmission** If the DMA controller is used to write transmission data to the UAnTX register, the DMA controller continues to do so in debugger break-mode. If the specified number of data units in the DBCn register has been transferred to the UARTAn the DCHCn.TCn is set and the DMA completion interrupt INTDMAAn is generated. The INTDMAAn request is served after resuming run-mode.

### 17.7.3 UARTAn operation stop

If both of the following actions in UARTAn happen at the same time the INTUAnR signal may be generated inadvertently and no data is stored in the UAnRX register:

- INTUAnR is generated due to completion of a serial receive operation,
- UAnPWR bit or UAnRXE bit is cleared (set to 0).

**Workaround** To avoid the generation of the INTUAnR signal when UAnPWR bit or UAnRXE bit is cleared (set to 0) do the following:

1. Set (set to 1) the interrupt mask flag (UAnRMK) of the interrupt control register (UAnRIC),
2. Clear (set to 0) the UAnPWR bit or UAnRXE bit,
3. Clear (set to 0) the interrupt request flag (UAnRIF) of the UAnRIC register.



# Chapter 18 Clocked Serial Interface (CSIB)

The V850E/Dx3 microcontrollers have following instances of the clocked serial interface CSIB:

CSIB	$\mu$ PD70F3427, $\mu$ PD70F3426A, $\mu$ PD70F3425, $\mu$ PD70F3424	$\mu$ PD70F3423, $\mu$ PD70F3422, $\mu$ PD70F3421
Instances	3	2
Names	CSIB0 to CSIB2	CSIB0 to CSIB1

Throughout this chapter, the individual instances of clocked serial interface are identified by “n”, for example CSIBn, or CBnCTL0 for the control register 0 of CSIBn.

## 18.1 Features

- Transfer rate: 8 Mbps to 2 kbps (using dedicated baud rate generator)  
The maximum transfer rate is the maximum transfer rate of the digital circuitry. It does neither regard any output buffer driver strength limitation nor the external capacitive load. Both might reduce the practically achievable maximum baud rate.
- Master mode and slave mode selectable
- 8-bit to 16-bit transfer, 3-wire serial interface
- 3 interrupt request signals (INTCBnT, INTCBnR, INTCBnRE)
- Serial clock and data phase switchable
- Transfer data length selectable in 1-bit units between 8 and 16 bits
- Transfer data MSB-first/LSB-first switchable
- 3-wire transfer
  - SOBn: Serial data output
  - SIBn: Serial data input
  - SCKBn: Serial clock input/output
- Transmission mode, reception mode, and transmission/reception mode specifiable
- DMA support
- Dedicated baud rate generator for each interface instance
- Modulated and stable clock sources available

## 18.2 Configuration

The following shows the block diagram of CSIBn.

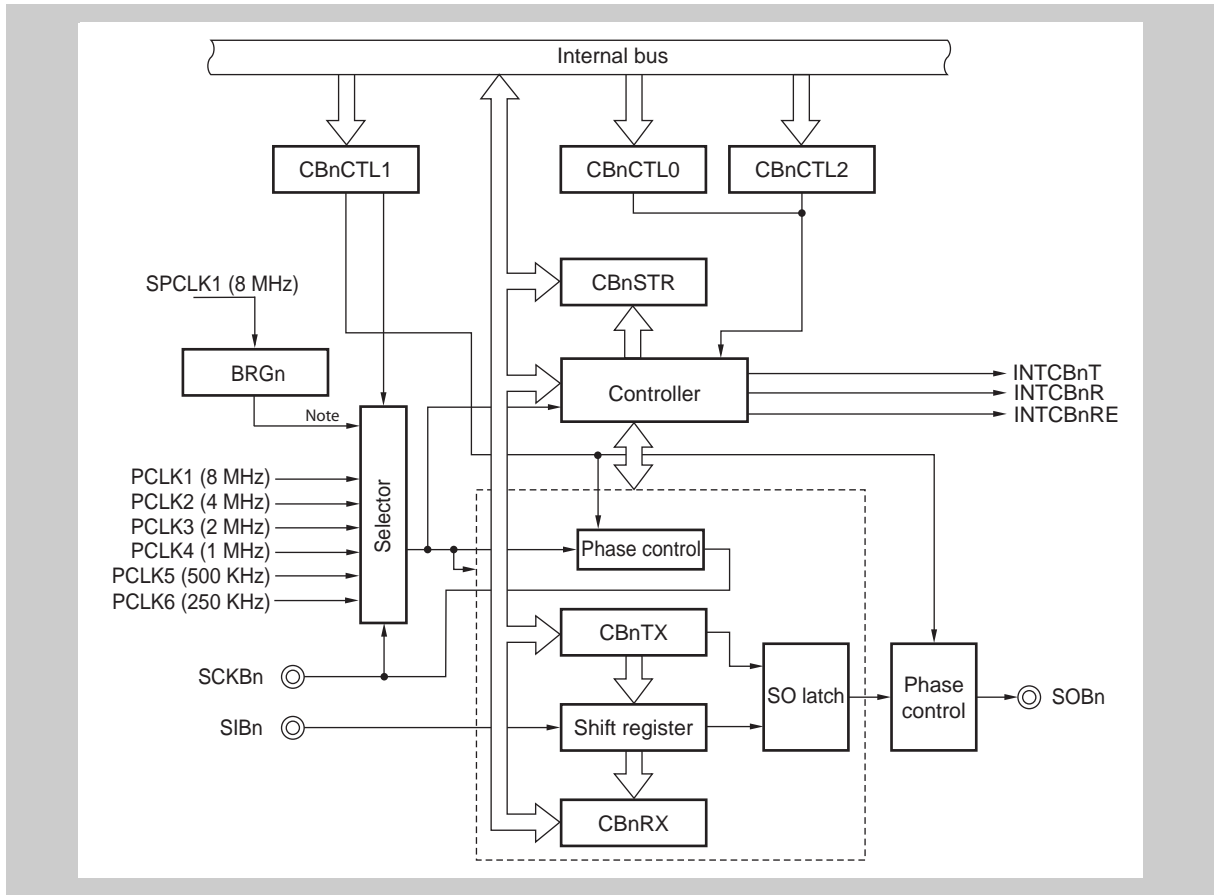


Figure 18-1 Block diagram of CSIBn

**Note** The clock is generated by the dedicated baud rate generator BRGn.



## 18.3 CSIB Control Registers

The clocked serial interfaces CSIBn are controlled and operated by means of the following registers:

Table 18-1 CSIBn registers overview

Register name	Shortcut	Address
CSIBn control register 0	CBnCTL0	<base>
CSIBn control register 1	CBnCTL1	<base> + 1 <sub>H</sub>
CSIBn control register 2	CBnCTL2	<base> + 2 <sub>H</sub>
CSIBn status register	CBnSTR	<base> + 3 <sub>H</sub>
CSIBn receive data register	CBnRX	<base> + 4 <sub>H</sub>
CSIBn transmit data register	CBnTX	<base> + 6 <sub>H</sub>

Table 18-2 CSIBn register base address

Timer	Base address
CSIB0	FFFF FD00 <sub>H</sub>
CSIB1	FFFF FD10 <sub>H</sub>
CSIB2	FFFF FD20 <sub>H</sub>

**(1) CBnCTL0 - CSIBn control register 0**

CBnCTL0 is a register that controls the CSIBn serial transfer operation.

**Access** This register can be read/written in 8-bit or 1-bit units.

**Address** <base>

**Initial Value** 01<sub>H</sub>. This register is cleared by any reset.

7	6	5	4	3	2	1	0
CBnPWR	CBnTXE <sup>a</sup>	CBnRXE <sup>a</sup>	CBnDIR <sup>a</sup>	0	0	CBnTMS <sup>a</sup>	CBnSCE
R/W	R/W	R/W	R/W	R/W	R/W	R/W	R/W

a) These bits can only be rewritten when the CBnPWR bit = 0. However, CBnPWR bit = 1 can also be set at the same time as rewriting these bits.

**Table 18-3 CBnCTL0 register contents (1/2)**

Bit position	Bit name	Function
7	CBnPWR	CSIBn operation disable/enable: 0: Disable CSIBn operation and reset the CSIBn registers 1: Enable CSIBn operation The CBnPWR bit controls the CSIBn operation and resets the internal circuit.
6	CBnTXE	Transmit operation disable/enable: 0: Disable transmit operation 1: Enable transmit operation The SOBn output is low level when the CBnTXE bit is 0.
5	CBnRXE	Receive operation disable/enable: 0: Disable receive operation 1: Enable receive operation When the CBnRXE bit is cleared to 0, no reception complete interrupt is output even when the prescribed data is transferred in order to disable the receive operation, and the receive data (CBnRX register) is not updated.

Table 18-3 CBnCTL0 register contents (2/2)

Bit position	Bit name	Function
4	CBnDIR	Transfer direction mode specification (MSB/LSB): 0: MSB first transfer 1: LSB first transfer
1	CBnTMS	Transfer mode specification (MSB/LSB): 0: Single transfer mode 1: Continuous transfer mode
0	CBnSCE	<p>Specification of start transfer disable/enable: 0: Communication start trigger invalid 1: Communication start trigger valid</p> <ul style="list-style-type: none"> <li>• In master mode This bit enables or disables the communication start trigger. <ul style="list-style-type: none"> <li>(a) In single transmission or transmission/reception mode, or continuous transmission or continuous transmission/reception mode A communication operation can be started only when the CBnSCE bit is 1. Set the CBnSCE bit to 1.</li> <li>(b) In single reception mode Clear the CBnSCE bit to 0 before reading the receive data (CBnRX register). If the CBnSCE bit is read while it is 1, the next communication operation is started.</li> <li>(c) In continuous reception mode Clear the CBnSCE bit to 0 one communication clock before reception of the last data is completed The CBnSCE bit is not cleared to 0 one communication clock before the completion of the last data reception, the next communication operation is automatically started.</li> </ul> </li> <li>• In slave mode This bit enables or disables the communication start trigger. Set the CBnSCE bit to 1.</li> </ul>

**(2) CBnCTL1 - CSIBn control register 1**

CBnCTL1 is an 8-bit register that controls the CSIBn serial transfer operation.

**Access** This register can be read/written in 8-bit or 1-bit units.

**Address** <base> + 1<sub>H</sub>

**Initial Value** 00<sub>H</sub>. This register is cleared by any reset.

7	6	5	4	3	2	1	0
0	0	0	CBnCKP	CBnDAP	CBnCKS2	CBnCKS1	CBnCKS0
R/W	R/W	R/W	R/W	R/W	R/W	R/W	R/W

**Caution** The CBnCTL1 register can be rewritten only when the CBnCTL0.CBnPWR bit = 0.

Table 18-4 CBnCTL1 register contents

Bit position	Bit name	Function																																													
4 3	CBnCKP CBnDAP	Specification of data transmission/reception timing in relation to SCKBn. Refer to <i>Table 18-5</i> .																																													
2 to 0	CBnCKS[2:0]	Communication clock setting <table border="1" style="margin-left: 20px;"> <thead> <tr> <th>CBnCK S2</th> <th>CBnCK S1</th> <th>CBnCK S0</th> <th>Communication clock</th> <th>Mode</th> </tr> </thead> <tbody> <tr> <td style="text-align: center;">0</td> <td style="text-align: center;">0</td> <td style="text-align: center;">0</td> <td>f<sub>BRGn</sub></td> <td>Master</td> </tr> <tr> <td style="text-align: center;">0</td> <td style="text-align: center;">0</td> <td style="text-align: center;">1</td> <td>f<sub>PCLK1</sub></td> <td>Master</td> </tr> <tr> <td style="text-align: center;">0</td> <td style="text-align: center;">1</td> <td style="text-align: center;">0</td> <td>f<sub>PCLK2</sub></td> <td>Master</td> </tr> <tr> <td style="text-align: center;">0</td> <td style="text-align: center;">1</td> <td style="text-align: center;">1</td> <td>f<sub>PCLK3</sub></td> <td>Master</td> </tr> <tr> <td style="text-align: center;">1</td> <td style="text-align: center;">0</td> <td style="text-align: center;">0</td> <td>f<sub>PCLK4</sub></td> <td>Master</td> </tr> <tr> <td style="text-align: center;">1</td> <td style="text-align: center;">0</td> <td style="text-align: center;">1</td> <td>f<sub>PCLK5</sub></td> <td>Master</td> </tr> <tr> <td style="text-align: center;">1</td> <td style="text-align: center;">1</td> <td style="text-align: center;">0</td> <td>f<sub>PCLK6</sub></td> <td>Master</td> </tr> <tr> <td style="text-align: center;">1</td> <td style="text-align: center;">1</td> <td style="text-align: center;">1</td> <td>External clock SCKBn</td> <td>Slave</td> </tr> </tbody> </table>	CBnCK S2	CBnCK S1	CBnCK S0	Communication clock	Mode	0	0	0	f <sub>BRGn</sub>	Master	0	0	1	f <sub>PCLK1</sub>	Master	0	1	0	f <sub>PCLK2</sub>	Master	0	1	1	f <sub>PCLK3</sub>	Master	1	0	0	f <sub>PCLK4</sub>	Master	1	0	1	f <sub>PCLK5</sub>	Master	1	1	0	f <sub>PCLK6</sub>	Master	1	1	1	External clock SCKBn	Slave
CBnCK S2	CBnCK S1	CBnCK S0	Communication clock	Mode																																											
0	0	0	f <sub>BRGn</sub>	Master																																											
0	0	1	f <sub>PCLK1</sub>	Master																																											
0	1	0	f <sub>PCLK2</sub>	Master																																											
0	1	1	f <sub>PCLK3</sub>	Master																																											
1	0	0	f <sub>PCLK4</sub>	Master																																											
1	0	1	f <sub>PCLK5</sub>	Master																																											
1	1	0	f <sub>PCLK6</sub>	Master																																											
1	1	1	External clock SCKBn	Slave																																											

Table 18-5 Specification of data transmission/reception timing in relation to SCKBn

Communication type	CBnCKP	CBnDAP	SIBn/SOBN timing in relation to SCKBn
Communication type 1	0	0	<p>SCKBn (I/O)</p> <p>SOBn (output) D7 D6 D5 D4 D3 D2 D1 D0</p> <p>SIBn capture</p>
Communication type 2	0	1	<p>SCKBn (I/O)</p> <p>SOBn (output) D7 D6 D5 D4 D3 D2 D1 D0</p> <p>SIBn capture</p>
Communication type 3	1	0	<p>SCKBn (I/O)</p> <p>(output) D7 D6 D5 D4 D3 D2 D1 D0</p> <p>SIBn capture</p>
Communication type 4	1	1	<p>SCKBn (I/O)</p> <p>(output) D7 D6 D5 D4 D3 D2 D1 D0</p> <p>SIBn capture</p>

**(3) CBnCTL2 - CSIBn control register 2**

CBnCTL2 is an 8-bit register that controls the number of CSIBn serial transfer bits.

**Access** This register can be read/written in 8-bit units.

**Address** <base> + 2<sub>H</sub>

**Initial Value** 00<sub>H</sub>. This register is cleared by any reset.

7	6	5	4	3	2	1	0
0	0	0	0	CBnCL3	CBnCL2	CBnCL1	CBnCL0
R/W	R/W	R/W	R/W	R/W	R/W	R/W	R/W

**Caution** The CBnCTL2 register can be rewritten only when the CBnCTL0.CBnPWR bit = 0 or when both the CBnTXE and CBnRXE bits = 0.

Table 18-6 CBnCTL2 register contents

Bit position	Bit name	Function																																																		
3 to 0	CBnCL[3:0]	Number of serial transfer bits																																																		
		<table border="1"> <thead> <tr> <th>CBnCL3</th> <th>CBnCL2</th> <th>CBnCL1</th> <th>CBnCL0</th> <th>Number of serial transfer bits</th> </tr> </thead> <tbody> <tr> <td style="text-align: center;">0</td> <td style="text-align: center;">0</td> <td style="text-align: center;">0</td> <td style="text-align: center;">0</td> <td>8 bits</td> </tr> <tr> <td style="text-align: center;">0</td> <td style="text-align: center;">0</td> <td style="text-align: center;">0</td> <td style="text-align: center;">1</td> <td>9 bits</td> </tr> <tr> <td style="text-align: center;">0</td> <td style="text-align: center;">0</td> <td style="text-align: center;">1</td> <td style="text-align: center;">0</td> <td>10 bits</td> </tr> <tr> <td style="text-align: center;">0</td> <td style="text-align: center;">0</td> <td style="text-align: center;">1</td> <td style="text-align: center;">1</td> <td>11 bits</td> </tr> <tr> <td style="text-align: center;">0</td> <td style="text-align: center;">1</td> <td style="text-align: center;">0</td> <td style="text-align: center;">0</td> <td>12 bits</td> </tr> <tr> <td style="text-align: center;">0</td> <td style="text-align: center;">1</td> <td style="text-align: center;">0</td> <td style="text-align: center;">1</td> <td>13 bits</td> </tr> <tr> <td style="text-align: center;">0</td> <td style="text-align: center;">1</td> <td style="text-align: center;">1</td> <td style="text-align: center;">0</td> <td>14 bits</td> </tr> <tr> <td style="text-align: center;">0</td> <td style="text-align: center;">1</td> <td style="text-align: center;">1</td> <td style="text-align: center;">1</td> <td>15 bits</td> </tr> <tr> <td style="text-align: center;">1</td> <td style="text-align: center;">x</td> <td style="text-align: center;">x</td> <td style="text-align: center;">x</td> <td>16 bits</td> </tr> </tbody> </table>	CBnCL3	CBnCL2	CBnCL1	CBnCL0	Number of serial transfer bits	0	0	0	0	8 bits	0	0	0	1	9 bits	0	0	1	0	10 bits	0	0	1	1	11 bits	0	1	0	0	12 bits	0	1	0	1	13 bits	0	1	1	0	14 bits	0	1	1	1	15 bits	1	x	x	x	16 bits
		CBnCL3	CBnCL2	CBnCL1	CBnCL0	Number of serial transfer bits																																														
		0	0	0	0	8 bits																																														
		0	0	0	1	9 bits																																														
		0	0	1	0	10 bits																																														
		0	0	1	1	11 bits																																														
		0	1	0	0	12 bits																																														
		0	1	0	1	13 bits																																														
		0	1	1	0	14 bits																																														
0	1	1	1	15 bits																																																
1	x	x	x	16 bits																																																

**Note** If the number of transfer bits is other than 8 or 16, prepare and use data stuffed from the LSB of the CBnTX and CBnRX registers.

**(a) Transfer data length change function**

The CSIBn transfer data length can be set in 1-bit units between 8 and 16 bits using the CBnCTL2.CBnCL3 to CBnCTL2.CBnCL0 bits.

When the transfer bit length is set to a value other than 16 bits, set the data to the CBnTX or CBnRX register starting from the LSB, regardless of whether the transfer start bit is the MSB or LSB. Any data can be set for the higher bits that are not used, but the receive data becomes 0 following serial transfer.

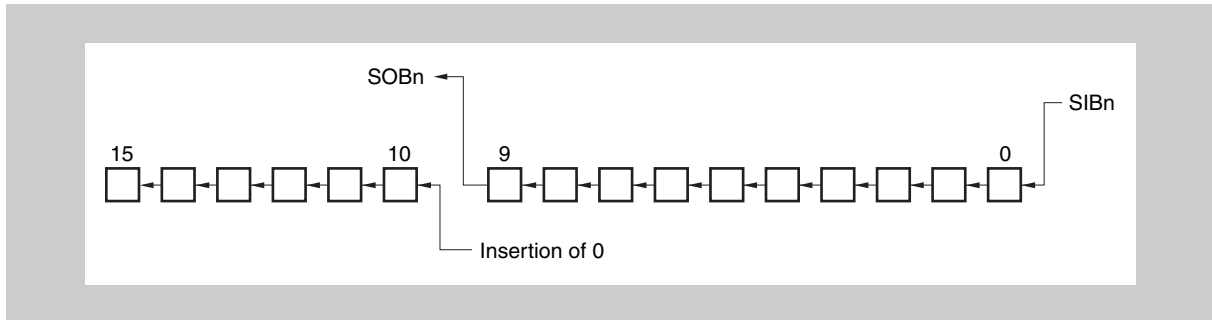


Figure 18-2 (i) Transfer bit length = 10 bits, MSB first

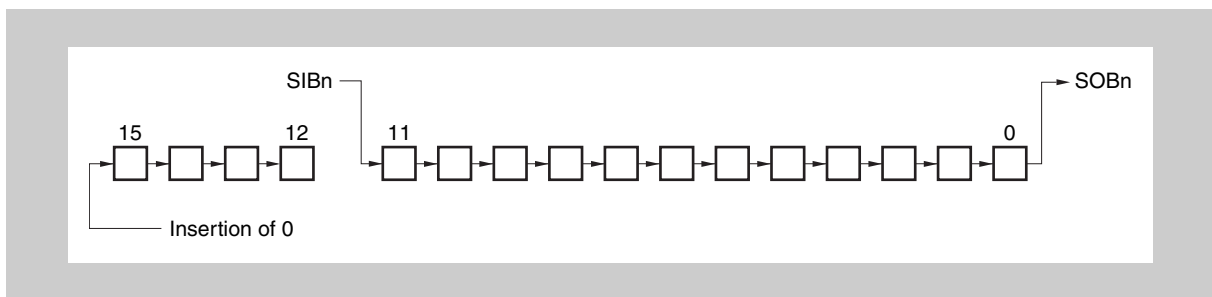


Figure 18-3 (ii) Transfer bit length = 12 bits, LSB first

**(4) CBnSTR - CSIBn status register**

CBnSTR is an 8-bit register that displays the CSIBn status.

**Access** This register can be read/written in 8-bit or 1-bit units.  
Bit CBnTSF is read-only.

**Address** <base> + 3<sub>H</sub>

**Initial Value** 00<sub>H</sub>. This register is cleared by any reset.  
In addition to reset input, the CBnSTR register can be initialized by clearing the CBnCTL0.CBnPWR bit to 0.

7	6	5	4	3	2	1	0
CBnTSF	0	0	0	0	0	0	CBnOVE
R	R/W	R/W	R/W	R/W	R/W	R/W	R/W

Table 18-7 CBnSTR register contents

Bit position	Bit name	Function
7	CBnTSF	Communication status flag 0: Communication stopped 1: Communicating During transmission, this register is set when data is prepared in the CBnTX register, and during reception, it is set when a dummy read of the CBnRX register is performed. When transfer ends, this flag is cleared to 0 at the last edge of the clock.
0	CBnOVE	Overrun error flag 0: No overrun 1: Overrun <ul style="list-style-type: none"> <li>• An overrun error occurs when the next reception starts without performing a CPU read of the value of the receive buffer, upon completion of the receive operation. The CBnOVE flag displays the overrun error occurrence status in this case.</li> <li>• The CBnOVE flag is cleared by writing 0 to it. It cannot be set even by writing 1 to it.</li> </ul>

**Note** In case of an overrun error, the reception error interrupt INTCBnRE behaves different, depending on the transfer mode:

- Continuous transfer mode  
The reception error interrupt INTCBnRE is generated instead of the reception completion interrupt INTCBnR.
- Single transfer mode  
No interrupt is generated.

In either case the overflow flag CBnSTR.CBnOVE is set to 1 and the previous data in CBnRX will be overwritten with the new data.



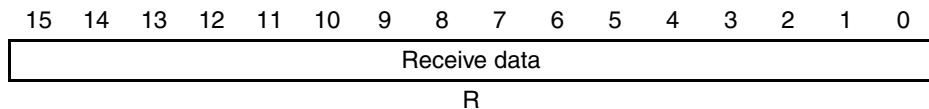
**(5) CBnRX - CSIBn receive data register**

The CBnRX register is a 16-bit buffer register that holds receive data.

**Access** This register can be read-only in 16-bit units.  
If the transfer data length is 8 bits, the lower 8 bits of this register are read-only in 8-bit units as the CBnRXL register.

**Address** <base> + 4<sub>H</sub>

**Initial Value** 0000<sub>H</sub>. This register is cleared by any reset.  
In addition to reset input, the CBnRX register can be initialized by clearing (to 0) the CBnPWR bit of the CBnCTL0 register.



The receive operation is started by reading the CBnRX register in the reception enabled status.

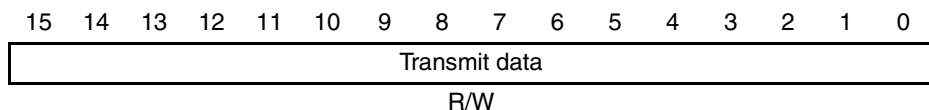
**(6) CBnTX - CSIBn transmit data register**

The CBnTX register is a 16-bit buffer register used to write the CSIBn transfer data.

**Access** This register can be read/written in 16-bit units.  
If the transfer data length is 8 bits, the lower 8 bits of this register are read/write in 8-bit units as the CBnTXL register.

**Address** <base> + 6<sub>H</sub>

**Initial Value** 0000<sub>H</sub>. This register is cleared by any reset.  
In addition to reset input, the CBnTX register can be initialized by clearing (to 0) the CBnPWR bit of the CBnCTL0 register.



The transmit operation is started by writing data to the CBnTX register in the transmission enabled status.

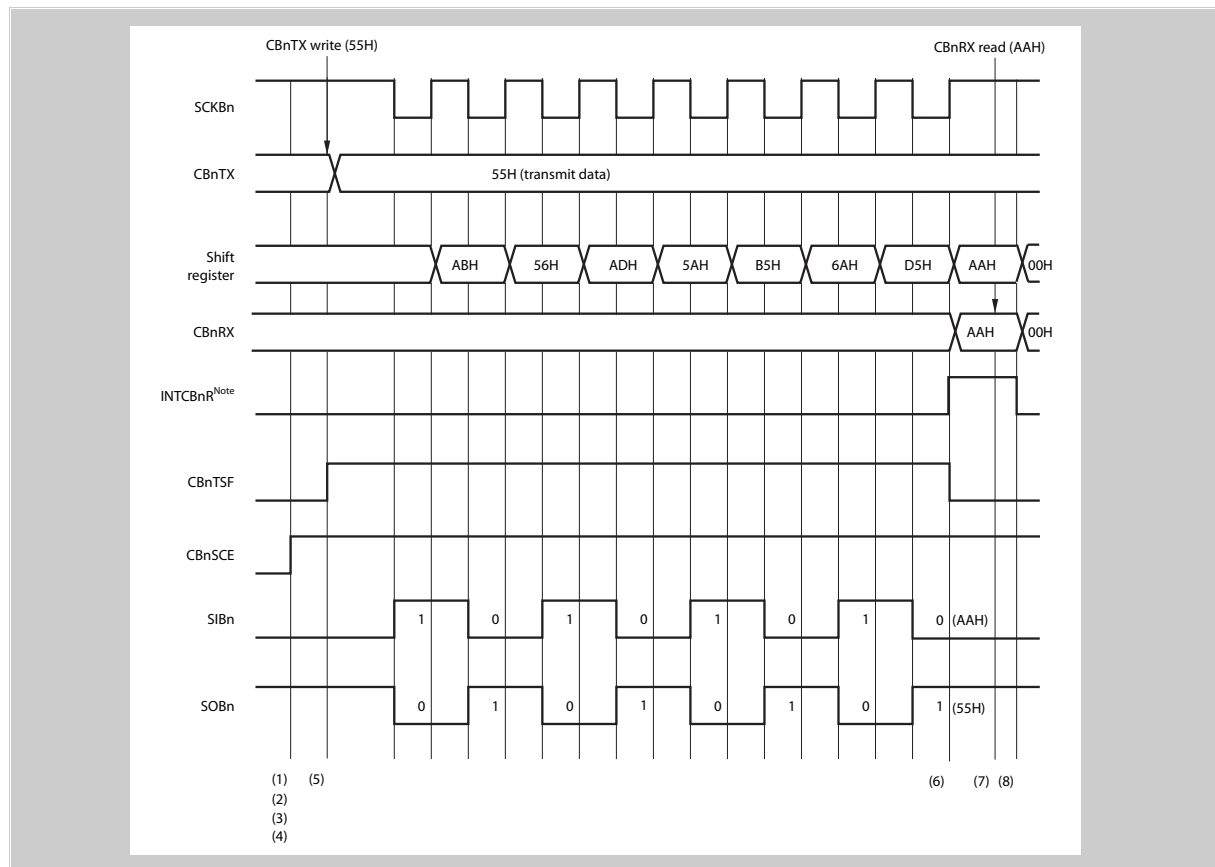
**Note** The communication start conditions are shown below:

- Transmission mode (CBnTXE bit = 1, CBnRXE bit = 0):  
Write to CBnTX register
- Transmission/reception mode (CBnTXE bit = 1, CBnRXE bit = 1):  
Write to CBnTX register
- Reception mode (CBnTXE bit = 0, CBnRXE bit = 1):  
Read from CBnRX register

## 18.4 Operation

### 18.4.1 Single transfer mode (master mode, transmission/reception mode)

MSB first (CBnCTL0.CBnDIR bit = 0), communication type 1 (see 16.4 (2))  
 CSIBn control register 1 (CBnCTL1), transfer data length = 8 bits  
 (CBnCTL2.CBnCL3 to CBnCTL2.CBnCL0 bits = 0, 0, 0, 0)



- (1) Clear the CBnCTL0.CBnPWR bit to 0.
- (2) Set the CBnCTL1 and CBnCTL2 registers to specify the transfer mode.
- (3) Set the CBnTXE, CBnRXE, and CBnSCE bits of the CBnCTL0 register to 1 at the same time as specifying the transfer mode using the CBnDIR bit, to set the transmission/reception enabled status.
- (4) Set the CBnPWR bit to 1 to enable the CSIBn operation.
- (5) Write transfer data to the CBnTX register (transmission start).
- (6) The reception complete interrupt request signal (INTCBnR) is output.
- (7) Read the CBnRX register before clearing the CBnPWR bit to 0.
- (8) Check that the CBnSTR.CBnTSF bit = 0 and set the CBnPWR bit to 0 to stop operation of CSIBn (end of transmission/reception).

To continue transfer, repeat steps (5) to (7) before (8).

In transmission mode or transmission/reception mode, communication is not started by reading the CBnRX register.

- Note**
1. In single transmission or single transmission/reception mode, the INTCBnT signal is not generated. When communication is complete, the INTCBnR signal is generated.
  2. The processing of steps (3) and (4) can be set simultaneously.

---

**Caution** In case the CSIB interface is operating in

- single transmit/reception mode (CBnCTL0.CBnTMS = 0)
- communication type 2 respectively type 4 (CBnCTL1.CBnDAP = 1)

pay attention to following effect:

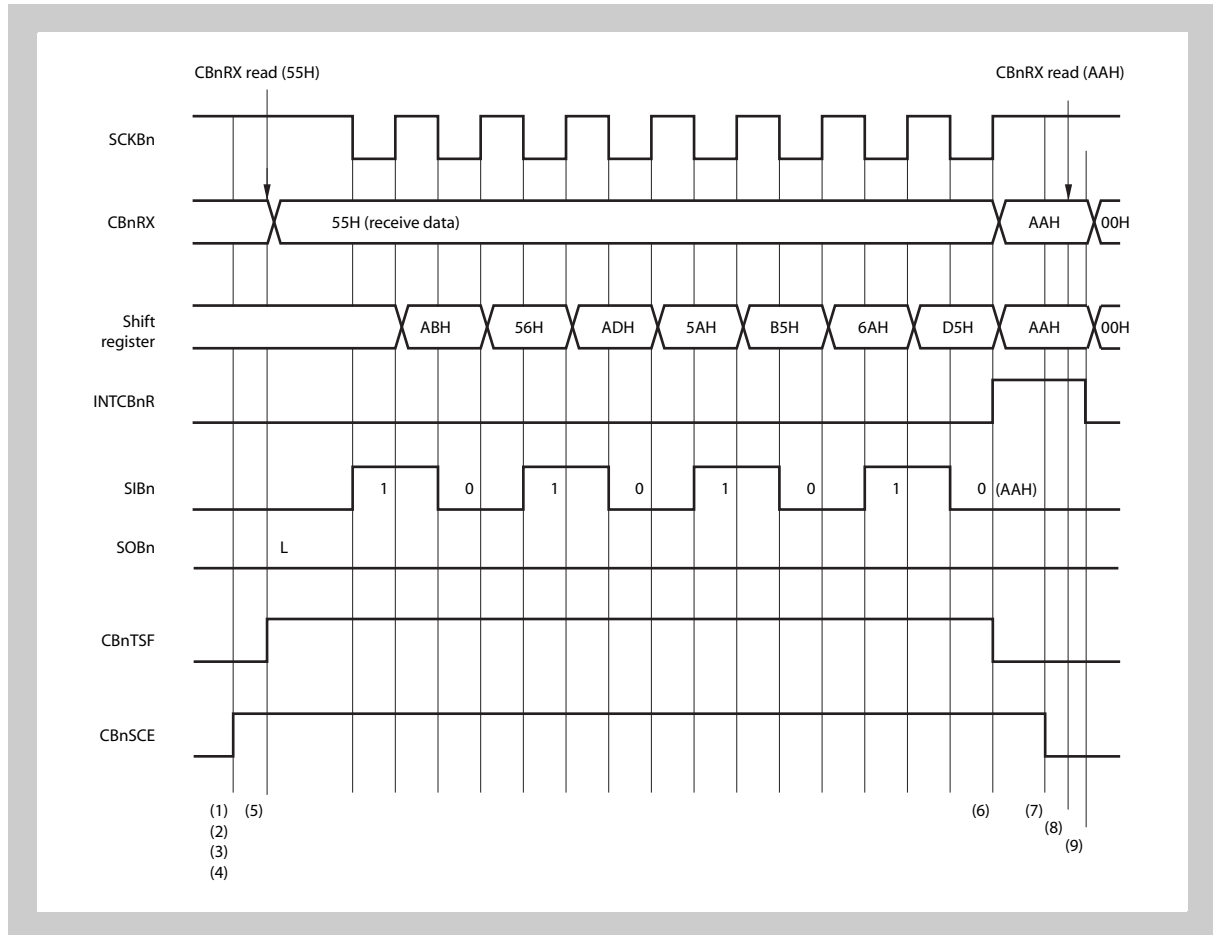
In case the next transmit should be initiated immediately after the occurrence of the reception completion interrupt INTCBnR any write to the CBnTX register is ignored as long as the communication status flag is still reflecting an ongoing communication (CBnTSF = 1). Thus the new transmission will not be started.

For transmitting data continuously use one of the following options:

- Use continuous transfer mode (CBnCTL0.CBnTMS = 1). This is the only usable mode for automatic transmission of data by the DMA controller.
  - If single transfer mode (CBnCTL0.CBnTMS = 0) should be used, CBnSTR.CBnTSF = 0 needs to be verified before writing data to the CBnTX register.
-

### 18.4.2 Single transfer mode (master mode, reception mode)

MSB first (CBnCTL0.CBnDIR bit = 0), communication type 1 (see 16.4 (2))  
 CSIBn control register 1 (CBnCTL1), transfer data length = 8 bits  
 (CBnCTL2.CBnCL3 to CBnCTL2.CBnCL0 bits = 0, 0, 0, 0)



- (1) Clear the CBnCTL0.CBnPWR bit to 0.
- (2) Set the CBnCTL1 and CBnCTL2 registers to specify the transfer mode.
- (3) Set the CBnCTL0.CBnRXE and CBnCTL0.CBnSCE bits to 1, CBnCTL0.TXE to 0, at the same time as specifying the transfer mode using the CBnDIR bit, to set the reception enabled status.
- (4) Set the CBnPWR bit to 1 to enable the CSIBn operation.
- (5) Perform a dummy read of the CBnRX register (reception start trigger).
- (6) The reception complete interrupt request signal (INTCBnR) is output.
- (7) Set the CBnSCE bit to 0 to set the final receive data status.
- (8) Read the CBnRX register.
- (9) Check that the CBnSTR.CBnTSF bit = 0 and set the CBnPWR bit to 0 to stop the CSIBn operation (end of reception).

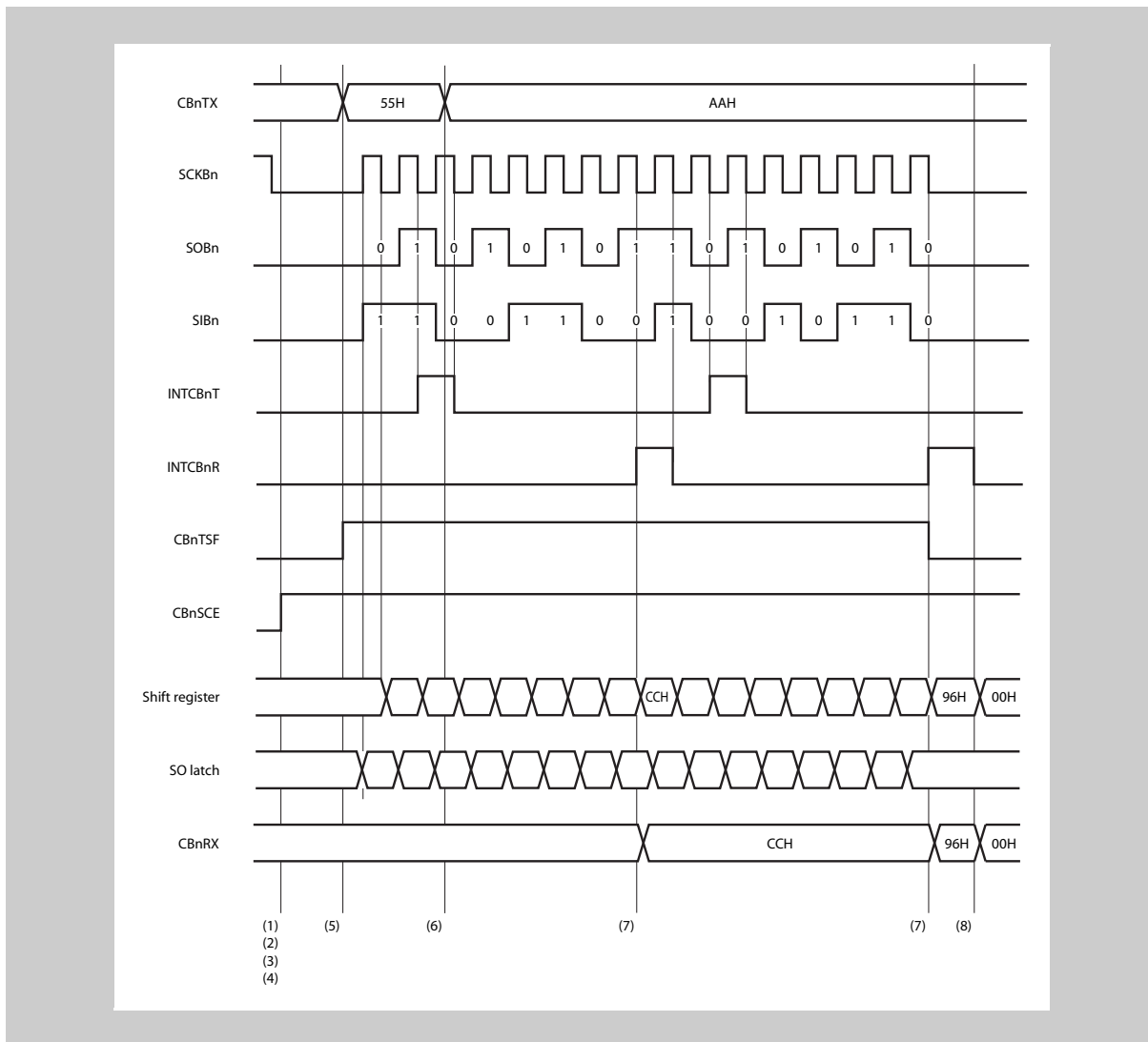
www.DataSheet4U.com

To continue transfer, repeat steps (5) and (6) before (7). (At this time, (5) is not a dummy read, but a receive data read combined with the reception trigger.)

**Note** The processing of steps (3) and (4) can be set simultaneously.

### 18.4.3 Continuous mode (master mode, transmission/reception mode)

MSB first (CBnCTL0.CBnDIR bit = 0), communication type 3 (see 16.4 (2) CSIBn control register 1 (CBnCTL1)), transfer data length = 8 bits (CBnCTL2.CBnCL3 to CBnCTL2.CBnCL0 bits = 0, 0, 0, 0)



- (1) Clear the CBnCTL0.CBnPWR bit to 0.
- (2) Set the CBnCTL1 and CBnCTL2 registers to specify the transfer mode.
- (3) Set the CBnTXE, CBnRXE, and CBnSCE bits of the CBnCTL0 register to 1 at the same time as specifying the transfer mode using the CBnDIR bit, to set the transmission/reception enabled status.
- (4) Set the CBnPWR bit to 1 to enable the CSIBn operation.
- (5) Write transfer data to the CBnTX register (transmission start).
- (6) The transmission enable interrupt request signal (INTCBnT) is received and transfer data is written to the CBnTX register.
- (7) The reception complete interrupt request signal (INTCBnR) is output.  
Read the CBnRX register before the next receive data arrives or before the CBnPWR bit is cleared to 0.

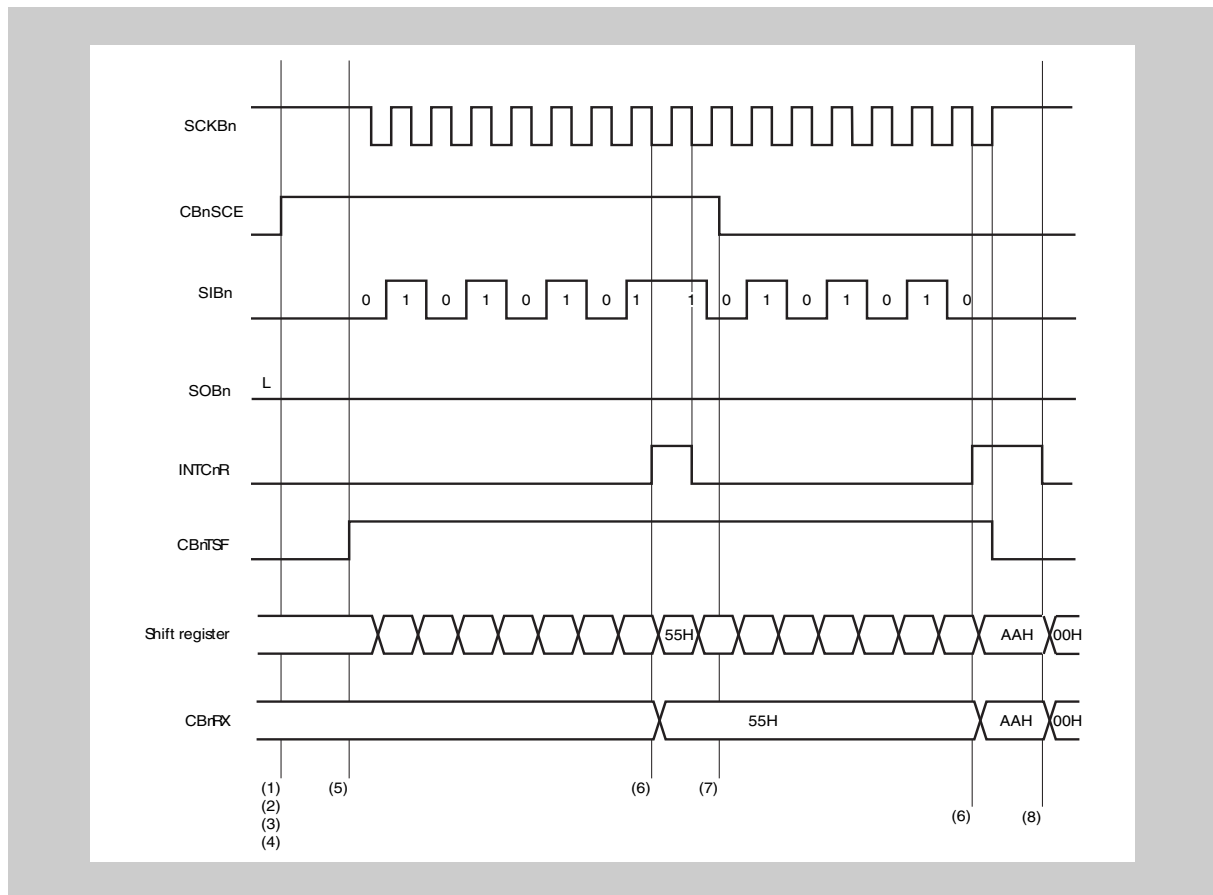
- (8) Check that the CBnSTR.CBnTSF bit = 0 and set the CBnPWR bit to 0 to stop the operation of CSIBn (end of transmission/reception).

To continue transfer, repeat steps (5) to (7) before (8).

In transmission mode or transmission/reception mode, the communication is not started by reading the CBnRX register.

#### 18.4.4 Continuous mode (master mode, reception mode)

MSB first (CBnCTL0.CBnDIR bit = 0), communication type 2 (see 16.4 (2) CSIBn control register 1 (CBnCTL1)), transfer data length = 8 bits (CBnCTL2.CBnCL3 to CBnCTL2.CBnCL0 bits = 0, 0, 0, 0)

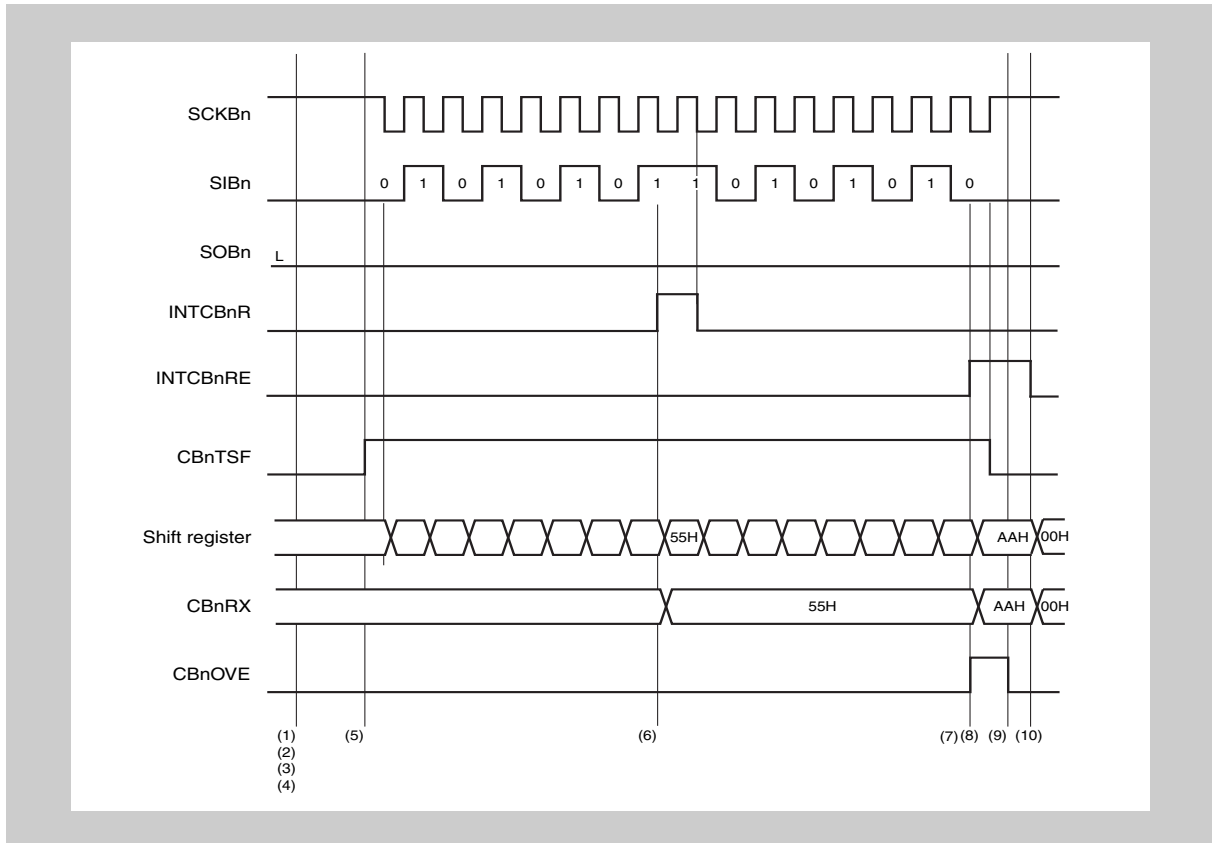


- (1) Clear the CBnCTL0.CBnPWR bit to 0.
- (2) Set the CBnCTL1 and CBnCTL2 registers to specify the transfer mode.
- (3) Set the CBnCTL0.CBnRXE bit to 1 at the same time as specifying the transfer mode using the CBnDIR bit, to set the reception enabled status.
- (4) Set the CBnPWR bit to 1 to enable the CSIBn operation.
- (5) Perform a dummy read of the CBnRX register (reception start trigger).
- (6) The reception complete interrupt request signal (INTCBnR) is output.  
Read the CBnRX register before the next receive data arrives or before the CBnPWR bit is cleared to 0.
- (7) Set the CBnCTL0.CBnSCE bit = 0 while the last data being received to set the final receive data status.

- (8) Check that the CBnSTR.CBnTSF bit = 0 and set the CBnPWR bit to 0 to stop the operation of CSIBn (end of reception).
- To continue transfer, repeat steps (5) and (6) before (7).

### 18.4.5 Continuous reception mode (error)

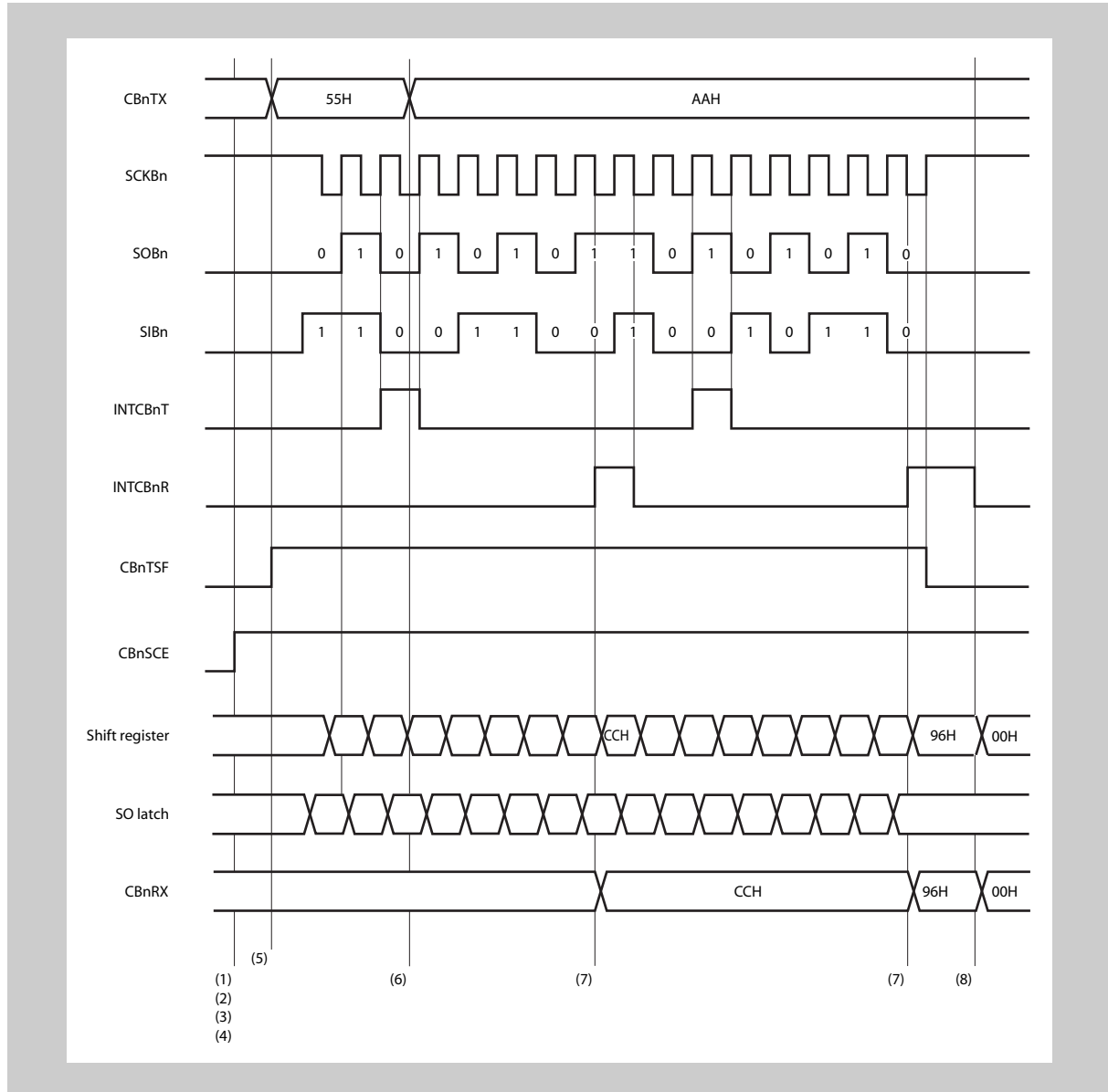
MSB first (CBnCTL0.CBnDIR bit = 0), communication type 2 (see 16.4 (2) CSIBn control register 1 (CBnCTL1)), transfer data length = 8 bits (CBnCTL2.CBnCL3 to CBnCTL2.CBnCL0 bits = 0, 0, 0, 0)



- (1) Clear the CBnCTL0.CBnPWR bit to 0.
- (2) Set the CBnCTL1 and CBnCTL2 registers to specify the transfer mode.
- (3) Set the CBnCTL0.CBnRXE bit to 1 at the same time as specifying the transfer mode using the CBnDIR bit, to set the reception enabled status.
- (4) Set the CBnPWR bit = 1 to enable CSIBn operation.
- (5) Perform a dummy read of the CBnRX register (reception start trigger).
- (6) The reception complete interrupt request signal (INTCBnR) is output.
- (7) If the data could not be read before the end of the next transfer, the CBnSTR.CBnOVE flag is set to 1 upon the end of reception and the reception error interrupt INTCBnRE is output.
- (8) Overrun error processing is performed after checking that the CBnOVE bit = 1 in the INTCBnRE interrupt servicing.
- (9) Clear CBnOVE bit to 0.
- (10) Check that the CBnSTR.CBnTSF bit = 0 and set the CBnPWR bit to 0 to stop the operation CSIBn (end of reception).

### 18.4.6 Continuous mode (slave mode, transmission/reception mode)

MSB first (CBnCTL0.CBnDIR bit = 0), communication type 2 (see 16.4 (2) CSIBn control register 1 (CBnCTL1)), transfer data length = 8 bits (CBnCTL2.CSnCL3 to CBnCTL2.CBnCL0 bits = 0, 0, 0, 0)



- (1) Clear the CBnCTL0.CBnPWR bit to 0.
- (2) Set the CBnCTL1 and CBnCTL2 registers to specify the transfer mode.
- (3) Set the CBnTXE, CBnRXE and CBnSCE bits of the CBnCTL0 register to 1 at the same time as specifying the transfer mode using the CBnDIR bit, to set the transmission/reception enabled status.
- (4) Set the CBnPWR bit to 1 to enable supply of the CSIBn operation.
- (5) Write the transfer data to the CBnTX register.
- (6) The transmission enable interrupt request signal (INTCBnT) is received and the transfer data is written to the CBnTX register.
- (7) The reception complete interrupt request signal (INTCBnR) is output.



Read the CBnRX register.

- (8) Check that the CBnSTR.CBnTSF bit = 0 and set the CBnPWR bit to 0 to stop the operation of CSIBn (end of transmission/reception).

To continue transfer, repeat steps (5) to (7) before (8).

**Note** In order to start the entire data transfer the CBnTX register has to be written initially, as done in step (5) above. If this step is omitted also no data will be received.

**Discontinued transmission** In case the CSIB is operating in continuous slave transmission mode (CBnCTL0.CBnTMS = 1, CBnCTL1.CBnCKS[2:0] = 111<sub>B</sub>) and new data is not written to the CBnTX register the SOBn pin outputs the level of the last bit.

Table 18-4 outlines this behaviour.

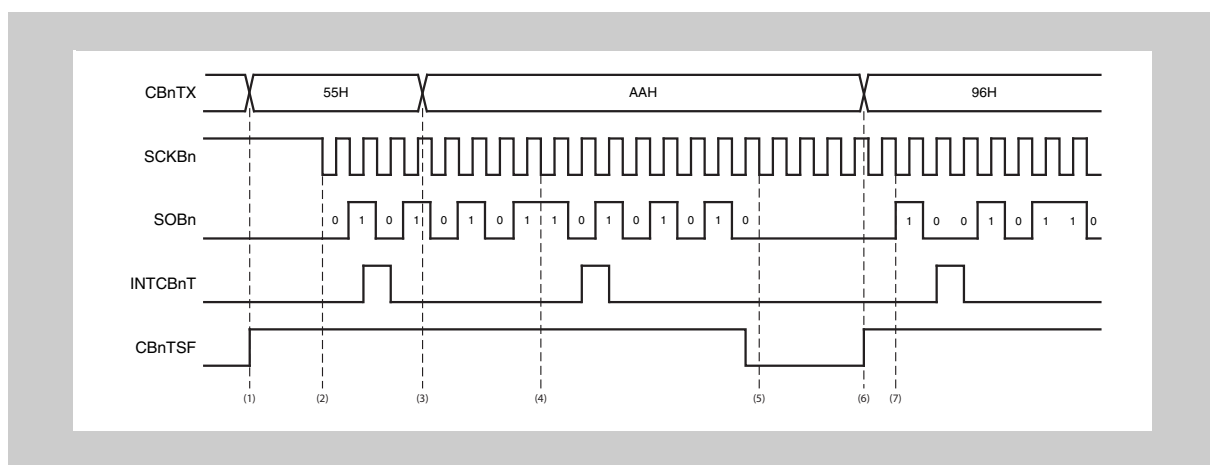


Figure 18-4 Discontinued slave transmission

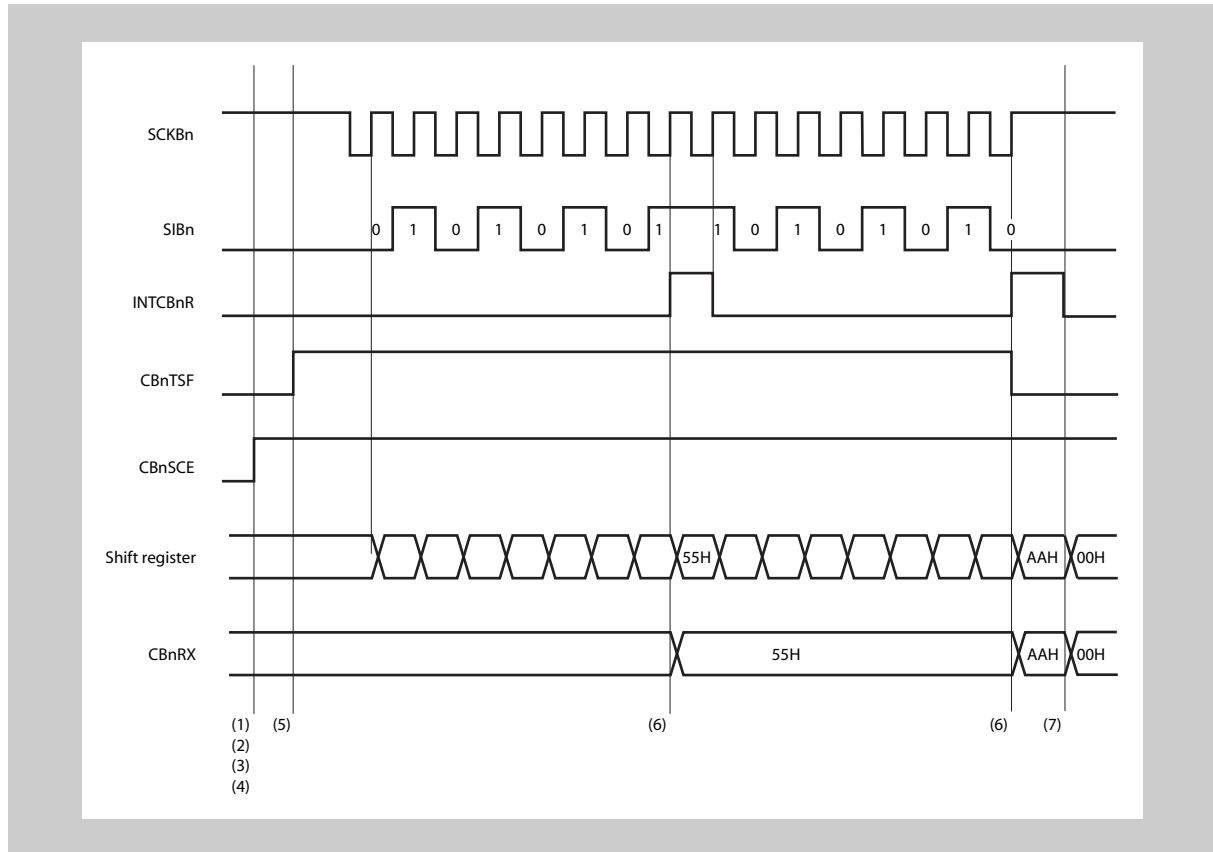
The example shows the situation that two data bytes (55<sub>H</sub>, AA<sub>H</sub>) are transmitted correctly, but the third (96<sub>H</sub>) fails.

- (1) Data 55<sub>H</sub> is written (by the CPU or DMA) to CBnTX.
- (2) The master issues the clock SCKBn and transmission of 55<sub>H</sub> starts.
- (3) INTCBnT is generated and the next data AA<sub>H</sub> is written to CBnTX promptly, i.e. before the first data has been transmitted completely.
- (4) Transmission of the second data AA<sub>H</sub> continues correctly and INTCBnT is generated. But this time the next data is not written to CBnTX in time.
- (5) Since there is no new data available in CBnTX, but the master continues to apply SCKBn clocks, SOBn remains at the level of the transmitted last bit.
- (6) New data (96<sub>H</sub>) is written to CBnTX.
- (7) With the next SCKBn cycle transmission of the new data (96<sub>H</sub>) starts.

As a consequence the master receives a corrupted data byte from (5) onwards, which is made up of a random number of the repeated last bit of the former data and some first bits of the new data.

### 18.4.7 Continuous mode (slave mode, reception mode)

MSB first (CBnCTL0.CBnDIR bit = 0), communication type 1 (see 16.4 (2) CSIBn control register 1 (CBnCTL1)), transfer data length = 8 bits (CBnCTL2.CBnCL3 to CBnCTL2.CBnCL0 bits = 0, 0, 0, 0)



- (1) Clear the CBnCTL0.CBnPWR bit to 0.
  - (2) Set the CBnCTL1 and CBnCTL2 registers to specify the transfer mode.
  - (3) Set the CBnCTL0.CBnRXE and CBnCTL0.CBnSCE bits to 1 at the same time as specifying the transfer mode using the CBnDIR bit, to set the reception enabled status.
  - (4) Set the CBnPWR bit = 1 to enable CSIBn operation.
  - (5) Perform a dummy read of the CBnRX register (reception start trigger).
  - (6) The reception complete interrupt request signal (INTCBnR) is output.  
Read the CBnRX register.
  - (7) Check that the CBnSTR.CBnTSF bit = 0 and set the CBnPWR bit to 0 to stop the operation of CSIBn (end of reception).
- To continue transfer, repeat steps (5) and (6) before (7).

18.4.8 Clock timing

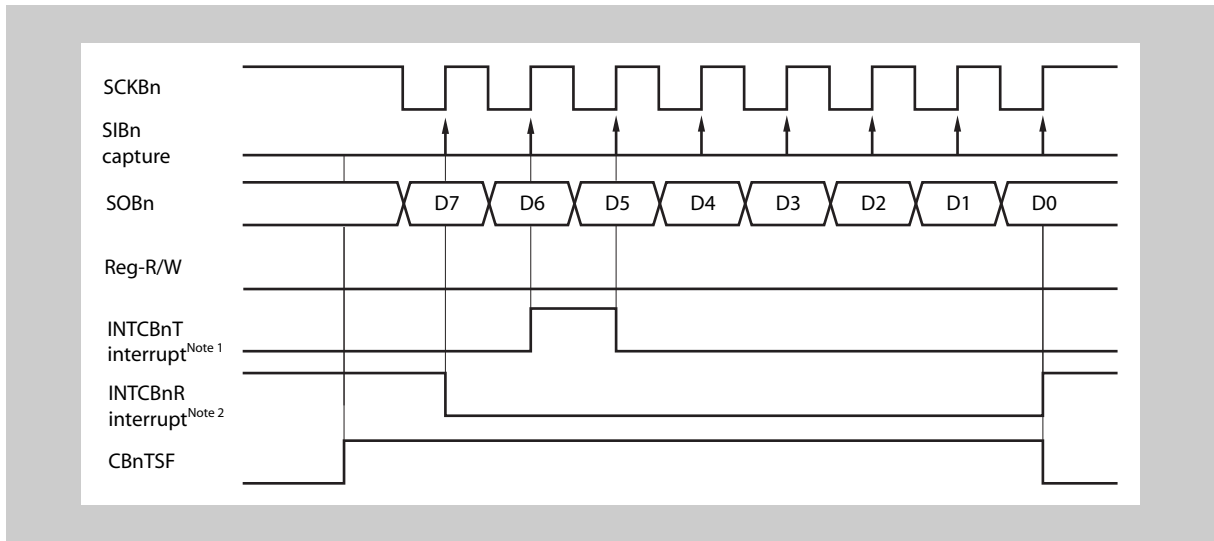


Figure 18-5 (i) Communication type 1 (CBnCKP = 0, CBnDAP = 0)

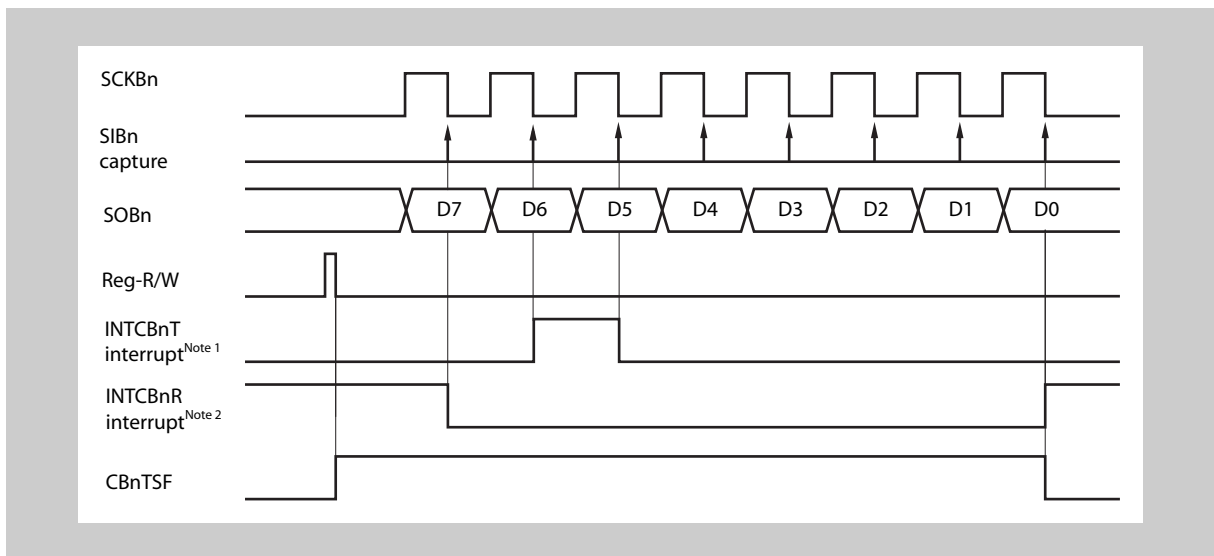


Figure 18-6 (ii) Communication type 3 (CBnCKP = 1, CBnDAP = 0)

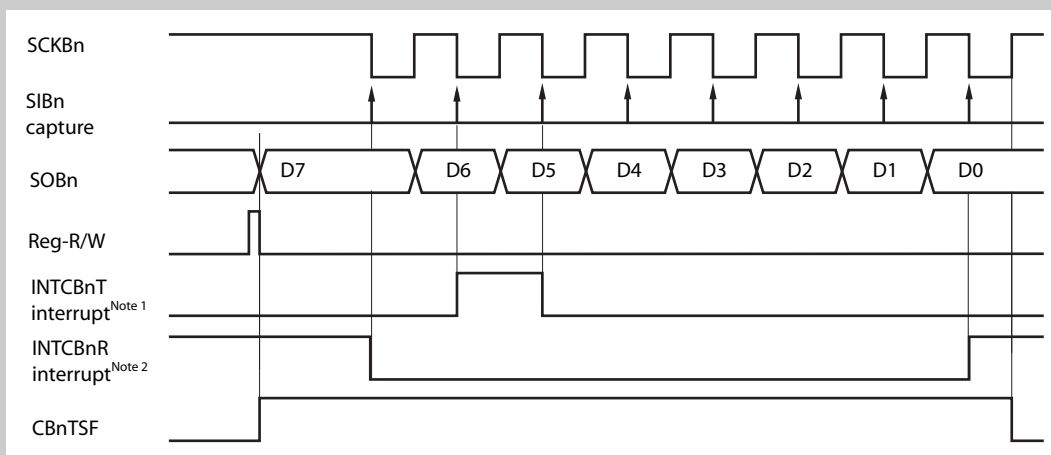


Figure 18-7 (iii) Communication type 2 ( $CBnCKP = 0$ ,  $CBnDAP = 1$ )

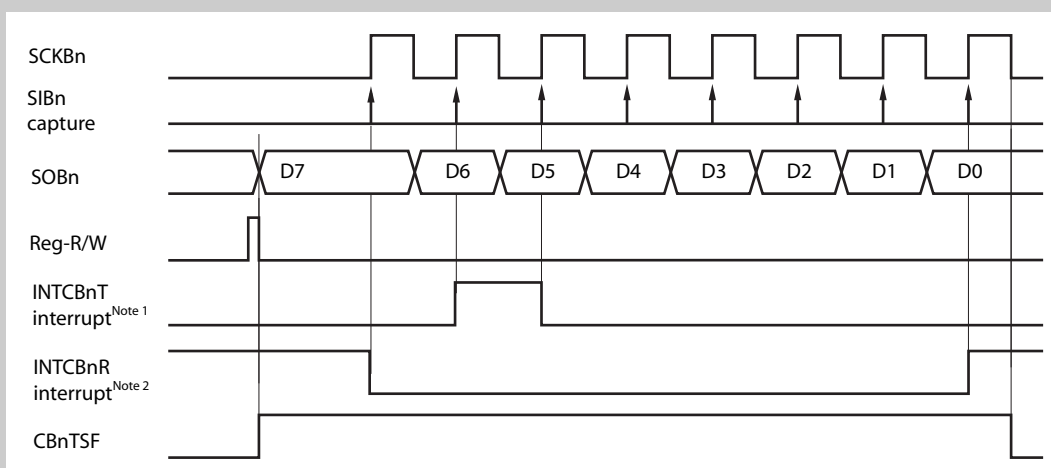


Figure 18-8 (iv) Communication type 4 ( $CBnCKP = 1$ ,  $CBnDAP = 1$ )

- Note**
1. The INTCBnT interrupt is set when the data written to the transmit buffer is transferred to the data shift register in the continuous transmission or continuous transmission/reception modes. In the single transmission or single transmission/reception modes, the INTCBnT interrupt request signal is not generated, but the INTCBnR interrupt request signal is generated upon completion of communication.
  2. The INTCBnR interrupt occurs if reception is correctly completed and receive data is ready in the CBnRX register while reception is enabled, and if an overrun error occurs. In the single mode, the INTCBnR interrupt request signal is generated even in the transmission mode, upon completion of communication.

## 18.5 Output Pins

### (1) SCKBn pin

When CSIBn operation is disabled (CBnCTL0.CBnPWR bit = 0), the SCKBn pin output status is as follows.

CBnCKP	CBnCKS2	CBnCKS1	CBnCKS0	SCKBn pin output
0	Don't care	Don't care	Don't care	Fixed to high level
1	1	1	1	High impedance
	Other than above			Fixed to low level

**Note** The output level of the SCKBn pin changes if any of the CBnCTL1.CBnCKP and CBnCKS2 to CBnCKS0 bits is rewritten.

### (2) SOBn pin

When CSIBn operation is disabled (CBnPWR bit = 0), the SOBn pin output status is as follows.

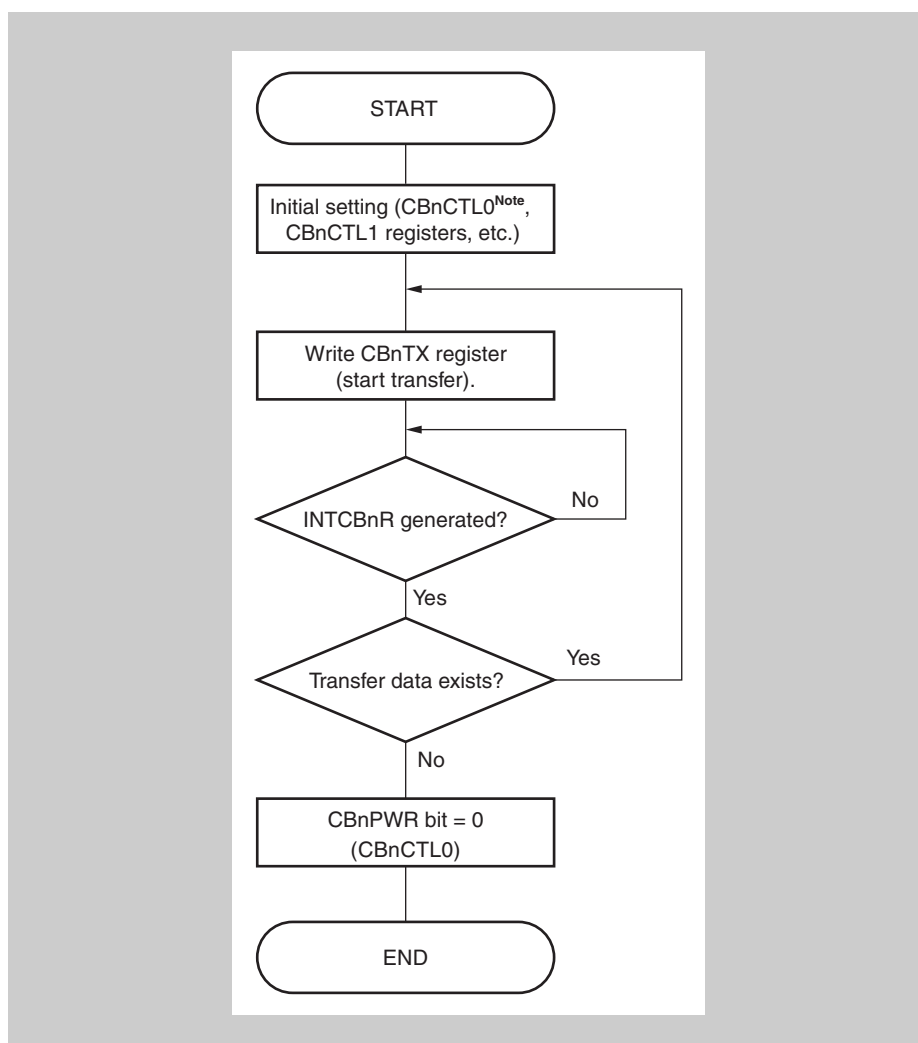
CBnTXE	CBnDAP	CBnDIR	SOBn pin output
0	×	×	Fixed to low level
1	0	×	SOBn latch value (low level)
	1	0	CBnTXn value (MSB)
		1	CBnTXn value (LSB)

**Note**

1. The SOBn pin output changes when any one of the CBnCTL0.CBnTXE, CBnCTL0.CBnDIR bits, and CBnCTL1.CBnDAP bit is rewritten.
2. ×: don't care

## 18.6 Operation Flow

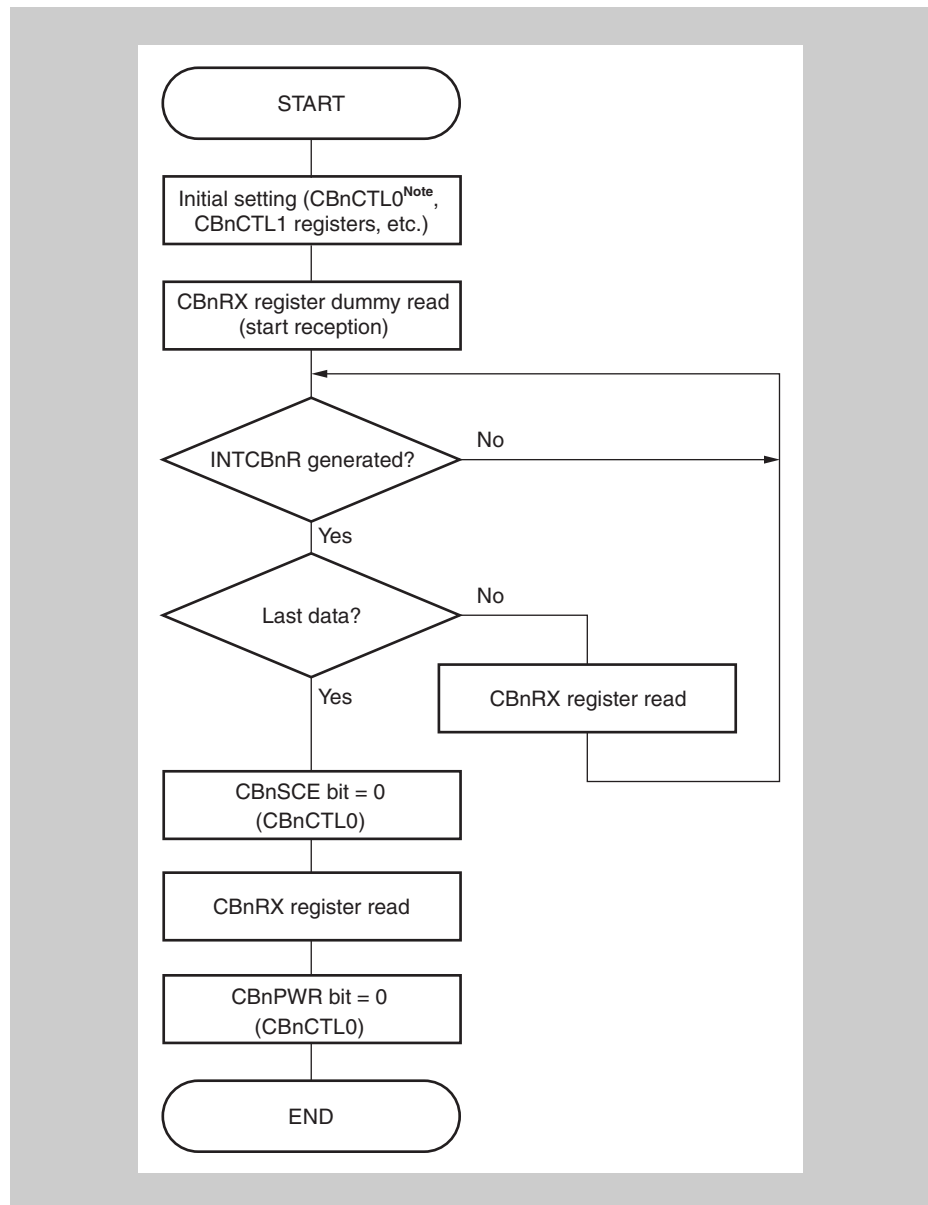
### (1) Single transmission



**Note** Set the CBnSCE bit to 1 in the initial setting.

**Caution** In the slave mode, data cannot be correctly transmitted if the next transfer clock is input earlier than the CBnTX register is written.

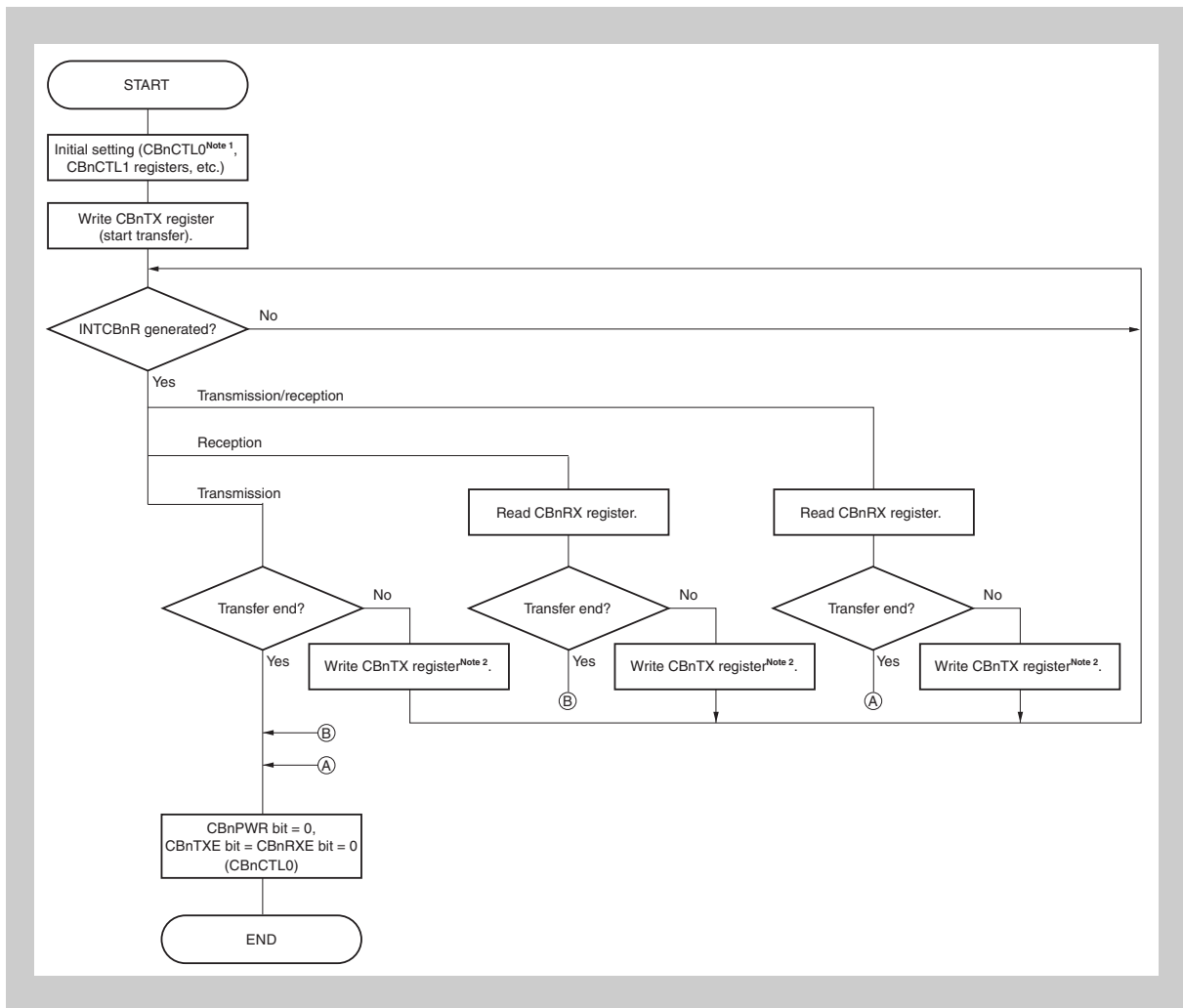
(2) Single reception



**Note** Set the CBnSCE bit to 1 in the initial setting.

**Caution** In the single mode, data cannot be correctly received if the next transfer clock is input earlier than the CBnRX register is read.

## (3) Single transmission/reception

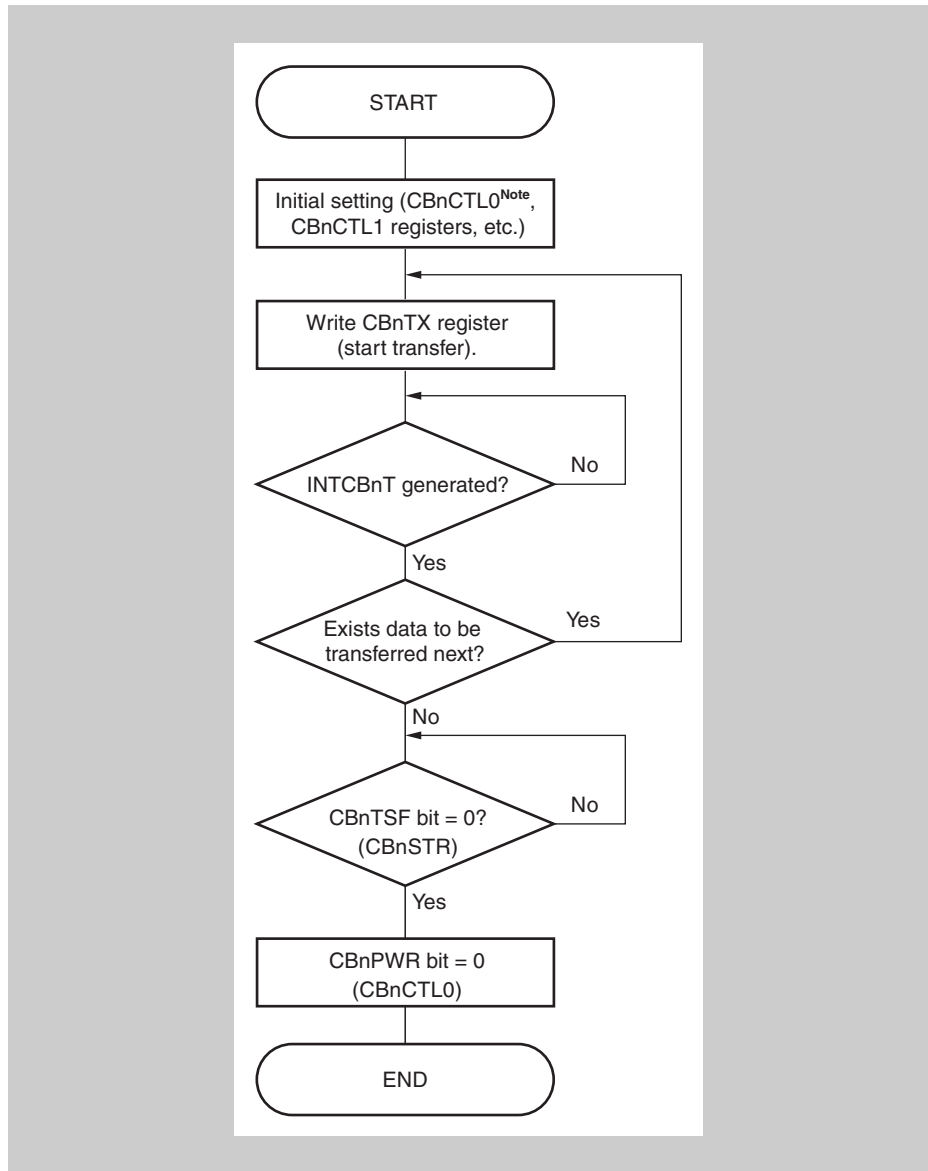


- Note**
1. Set the CBnSCE bit to 1 in the initial setting.
  2. If the next transfer is reception only, dummy data is written to the CBnTX register.

**Caution** Even in the single mode, the CBnSTR.CBnOVE flag is set to 1. If only transmission is used in the transmission/reception mode, therefore, programming without checking the CBnOVE flag is recommended.

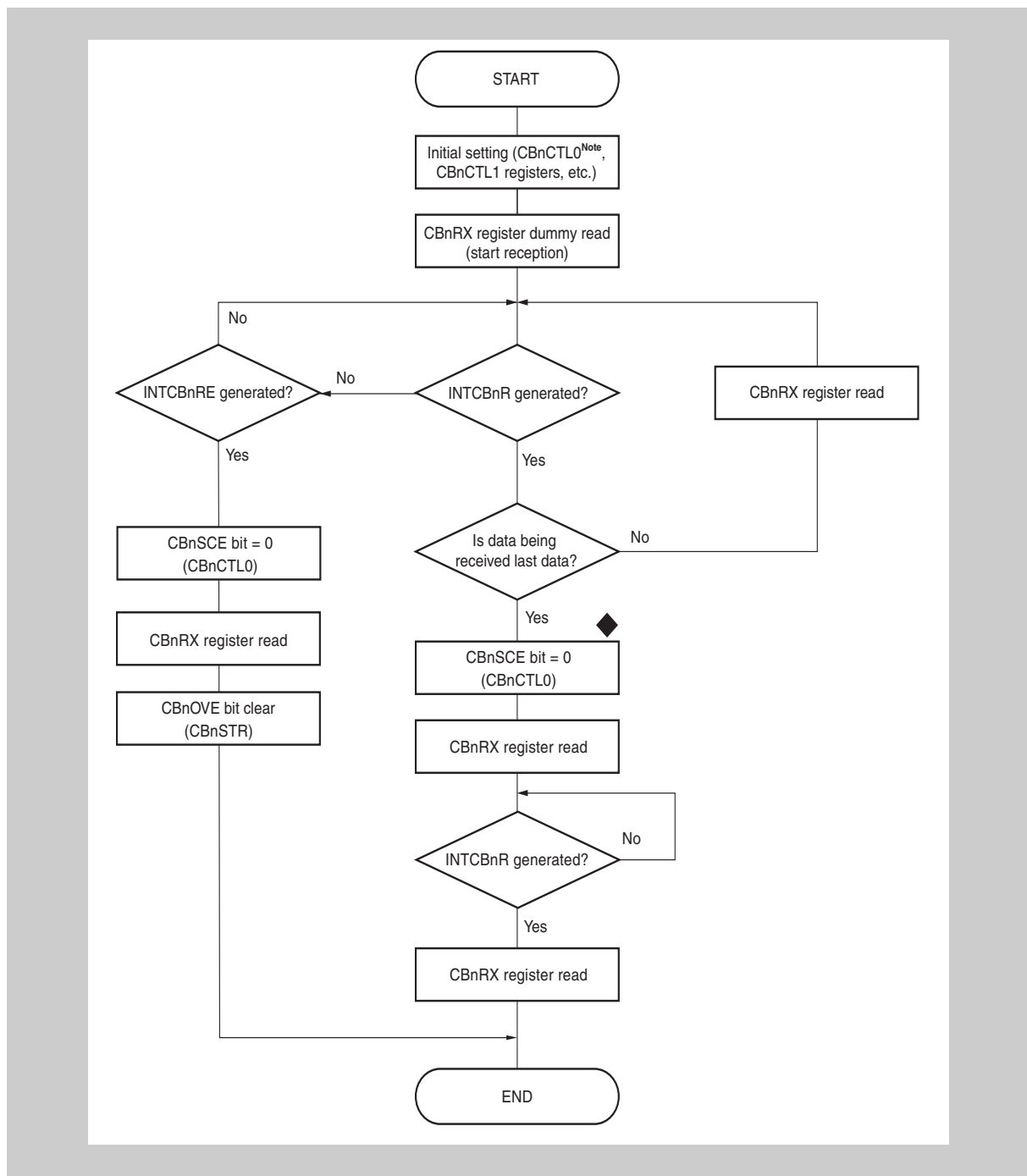


(4) Continuous transmission



**Note** Set the CBnSCE bit to 1 in the initial setting.

## (5) Continuous reception



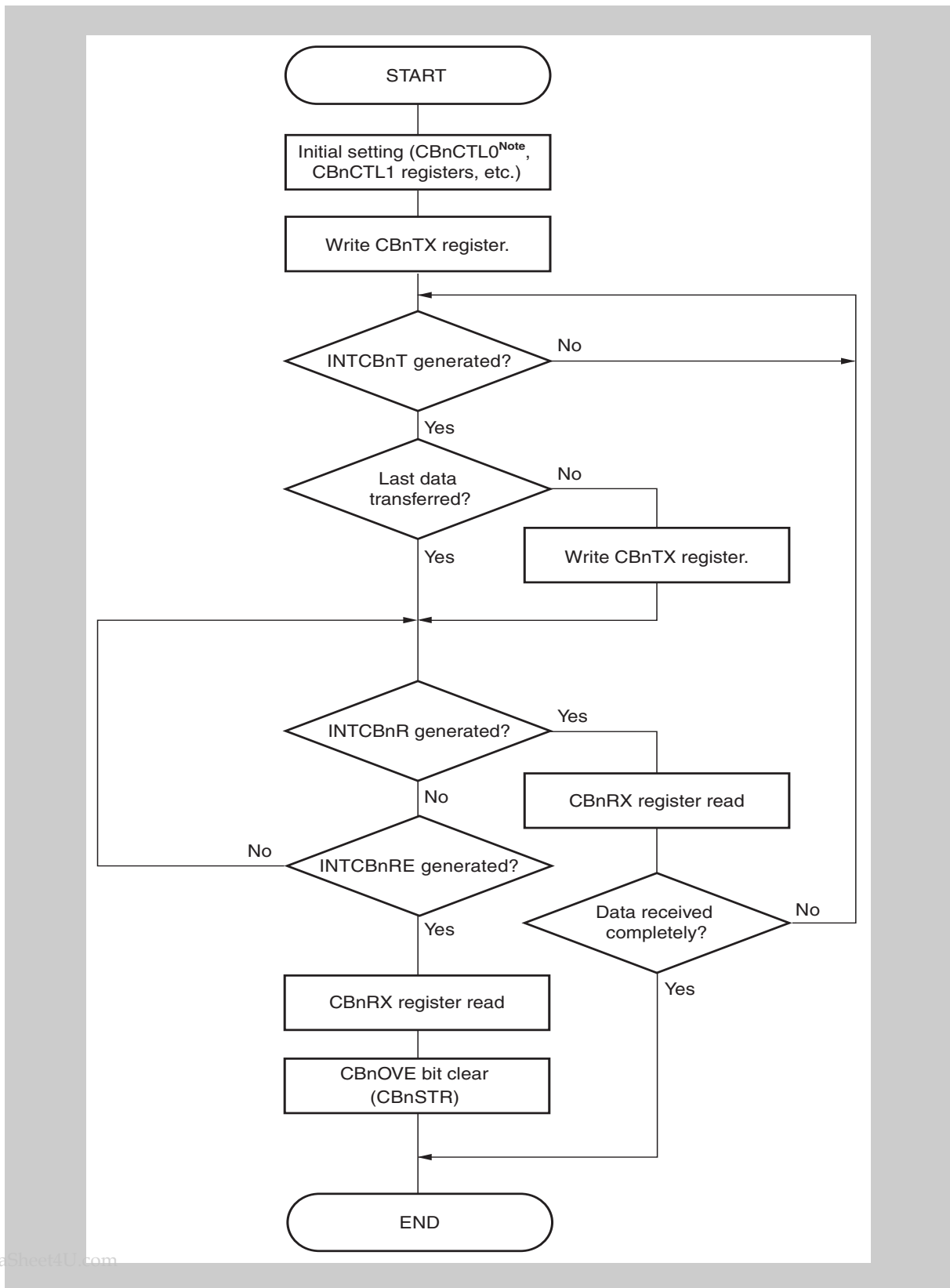
**Note** Set the CBnSCE bit to 1 in the initial setting.

**Caution** In the master mode, the clock is output without limit when dummy data is read from the CBnRX register. To stop the clock, execute the flow marked ◆ in the above flowchart.

In the slave mode, malfunction due to noise during communication can be prevented by executing the flow marked ◆ in the above flowchart.

Before resuming communication, set the CBnCTL0.CBnSCE bit to 1, and read dummy data from the CBnRX register.

(6) Continuous transmission/reception

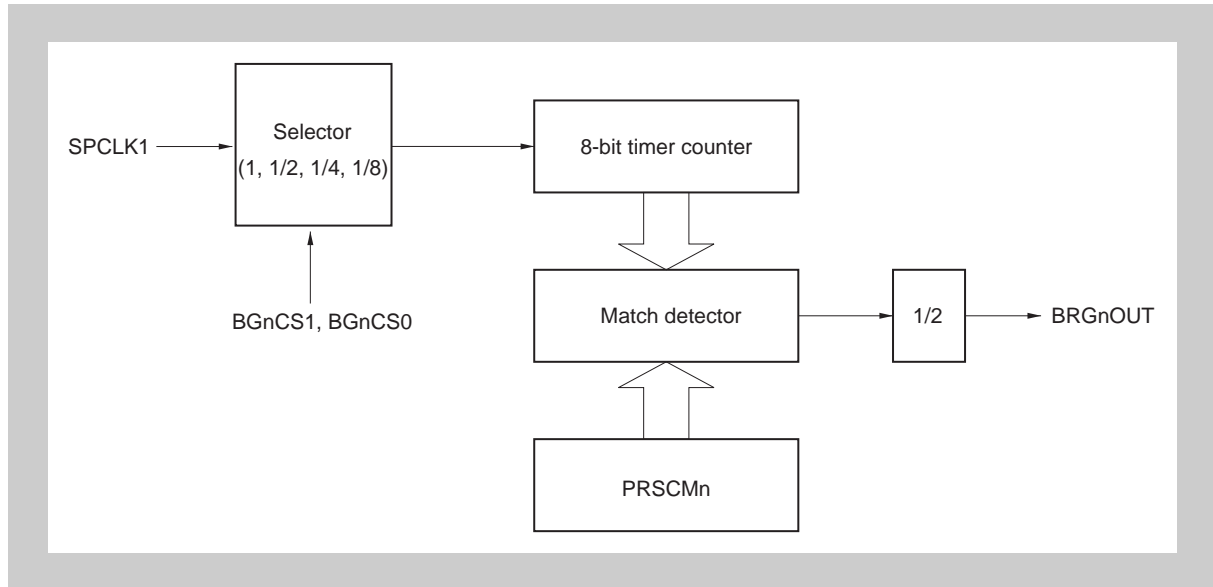


**Note** Set the CBnSCE bit to 1 in the initial setting.

## 18.7 Baud Rate Generator

### 18.7.1 Overview

Each CSIBn interface is equipped with a dedicated baud rate generator.



### 18.7.2 Baud Rate Generator registers

The Baud Rate Generators BRGn are controlled and operated by means of the following registers:

Table 18-8 BRGn registers overview

Register name	Shortcut	Address
BRGn prescaler mode register	PRSMn	<BRG_base>
BRGn prescaler compare register	PRSCMn	<BRG_base> + 1 <sub>H</sub>

Table 18-9 BRGn register base address

Timer	Base address <BRG_base>
BRG0	FFFF FDC0 <sub>H</sub>
BRG1	FFFF FDE0 <sub>H</sub>
BRG2	FFFF FDF0 <sub>H</sub>

**(1) PRSMn - Prescaler mode registers**

The PRSMn registers control generation of the baud rate signal for CSIB.

**Access** This register can be read/written in 8-bit or 1-bit units.

**Address** <BRG\_base>

**Initial Value** 00<sub>H</sub>. This register is cleared by any reset.

7	6	5	4	3	2	1	0
0	0	0	BGCEn	0	0	BGCSn1	BGCSn0
R/W	R/W	R/W	R/W	R/W	R/W	R/W	R/W

Table 18-10 PRSMn register contents

Bit position	Bit name	Function																				
4	BGCEn	Baud rate output 0: disabled 1: enabled																				
1 to 0	BGCSn[1:0]	Input clock selection <table border="1" style="margin-left: 20px;"> <thead> <tr> <th>BGCSn1</th> <th>BGCSn0</th> <th>Input clock selection (<math>f_{BGCSn}</math>)</th> <th>Setting value k</th> </tr> </thead> <tbody> <tr> <td style="text-align: center;">0</td> <td style="text-align: center;">0</td> <td><math>f_{SPCLK1}</math></td> <td style="text-align: center;">0</td> </tr> <tr> <td style="text-align: center;">0</td> <td style="text-align: center;">1</td> <td><math>f_{SPCLK1}/2</math></td> <td style="text-align: center;">1</td> </tr> <tr> <td style="text-align: center;">1</td> <td style="text-align: center;">0</td> <td><math>f_{SPCLK1}/4</math></td> <td style="text-align: center;">2</td> </tr> <tr> <td style="text-align: center;">1</td> <td style="text-align: center;">1</td> <td><math>f_{SPCLK1}/8</math></td> <td style="text-align: center;">3</td> </tr> </tbody> </table>	BGCSn1	BGCSn0	Input clock selection ( $f_{BGCSn}$ )	Setting value k	0	0	$f_{SPCLK1}$	0	0	1	$f_{SPCLK1}/2$	1	1	0	$f_{SPCLK1}/4$	2	1	1	$f_{SPCLK1}/8$	3
BGCSn1	BGCSn0	Input clock selection ( $f_{BGCSn}$ )	Setting value k																			
0	0	$f_{SPCLK1}$	0																			
0	1	$f_{SPCLK1}/2$	1																			
1	0	$f_{SPCLK1}/4$	2																			
1	1	$f_{SPCLK1}/8$	3																			

- 
- Caution**
1. Do not rewrite the PRSMn register during operation.
  2. Set the BGCSn[1:0] bits before setting the BGCEn bit to 1.
- 

**(2) PRSCMn - Prescaler compare registers**

The PRSCMn registers are 8-bit compare registers.

**Access** This register can be read/written in 8-bit units.

**Address** <BRG\_base> + 1<sub>H</sub>

**Initial Value** 00<sub>H</sub>. This register is cleared by any reset.

7	6	5	4	3	2	1	0
PRSCMn7	PRSCMn6	PRSCMn5	PRSCMn4	PRSCMn3	PRSCMn2	PRSCMn1	PRSCMn0
R/W							

- 
- Caution**
1. Do not rewrite the PRSCMn register during operation.
  2. Set the PRSCMn register before setting the PRSMn.BGCEn bit to 1.
-

### 18.7.3 Baud rate calculation

The transmission/reception clock is generated by dividing the main clock. The baud rate generated from the main clock is obtained by the following equation.

$$f_{\text{BRGn}} = \frac{f_{\text{SPCLK1}}}{2^k \times N \times 2}$$

<b>Note</b>	<b>f<sub>BRGn</sub>:</b>	BRGn count clock
	<b>f<sub>SPCLK1</sub>:</b>	Main clock oscillation frequency
	<b>k:</b>	PRSMn.BGCSn[1:0] register setting value (0 ≤ k ≤ 3)
	<b>N:</b>	PRSCMn.PRSCMn[7:0] register value if PRSCMn = 00H: N = 256.

## 18.8 Cautions

### 18.8.1 CSIBn behaviour during debugger break

The CSIBn continues to operate in debugger break-mode, provided all clocks are continuing.

The CSIBn continuous to operate during debugger break-mode

- in continuous reception/transmission mode
- in slave reception/transmission mode

**Reception** When the CSIBn is in reception mode and an external device is sending data during debugger break-mode the CSIBn may produce an overflow error as it continues to receive data during break-mode.

Thus the overflow error flag `UCBnSTR.CBnOVE` may be set and the reception error interrupt `INTCBnRE` may be generated. Further all following received data are discarded.

Note that the reception error interrupt `INTCBnRE` will not be served during break-mode, but after resuming run-mode, provided the interrupt controller is configured accordingly.

**Transmission** If the debugger's break-mode is entered while the CSIBn is transmitting data, the transmission is completed, and finally a transmission enable interrupt request `INTCBnT` is generated.

Note that the transmission enable interrupt `INTCNnT` will not be served during break-mode, but after resuming run-mode, provided the interrupt controller is configured accordingly.

**DMA reception** If the DMA controller is used to fetch received data from the `CBnRX` register, the DMA controller continues to do so in debugger break-mode, but the data in `CBnRX` is not tagged as already read. Thus the next receive data during break-mode will generate an overflow error, as described above. If the specified number of data units in the `DBCn` register has been fetched from the CSIBn the `DCHCn.TCn` is set and the DMA completion interrupt `INTDMAn` is generated. The `INTDMAn` request is served after resuming run-mode.

Since the DMA trigger interrupt `INTCBnR` is not generated in case of an overflow (the `INTCBnRE` interrupt is generated instead), no further DMA triggers occur. Only the first received data in break-mode is transferred by the DMA, all following data are discarded.

**DMA transmission** If the DMA controller is used to write transmission data to the `CBnTX` register, the DMA controller continues to do so in debugger break-mode. If the specified number of data units in the `DBCn` register has been transferred to the CSIBn the `DCHCn.TCn` is set and the DMA completion interrupt `INTDMAn` is generated. The `INTDMAn` request is served after resuming run-mode.

## 18.8.2 CSIB operation stop

### (1) Details - Master mode operation

When any channel of CSIB is operated with a peripheral clock source different to the clock source of the CPU, the CSIB may stop operating.

Depending on the CSIB operating configuration the CSIB behaves as described below.

- Transmit mode or transmit/receive mode:  
Any write to the related CBnTX0 register will no longer start a transmission sequence. Furthermore the related transmission interrupt request will not be generated.
- Receive mode:  
Any read from the related CBnRX0 register will no longer start a receive sequence. Furthermore the related receive interrupt request will not be generated.

The described CSIBn stuck condition can be escaped by initiating a system reset or by a sequential clear and set of the CBnCTL0.CBnPWR bit.

### (2) Details - Slave mode operation

When any channel of CSIB is operated in slave mode and an external clock signal is input via the SCKBn pin while no transmission or reception sequence is in progress the CSIB may stop operating.

Depending on the CSIB operating configuration the CSIB behaves as described below.

- Transmit mode or transmit/receive mode  
Any further write to the CBnTX0 register followed by an external input clock signal input will no longer start a transmission sequence. Furthermore the related transmission interrupt request will not be generated.
- Receive mode:  
Any read from the related CBnRX0 register followed by an external input clock signal input will no longer start a receive sequence. Furthermore the related receive interrupt request will not be generated.

The described CSIBn stuck condition can be escaped by initiating a system reset or by a sequential clear and set of the CBnCTL0.CBnPWR bit.

### (3) Workaround - Master mode operation

In order to avoid the CSIBn stuck condition in master mode use only the following CPU clock to CSIBn input clock combinations:

CPU clock source	SCC. SPSEL0	CKC. PERIC	BRGn clock source (SPCLK1)	CSIB clock input
4 MHz main osc	0	0	4 MHz main osc	PCLK6 .. 1, BRGn
	0	1	4 MHz main osc	PCLK6 .. 2, BRGn
	1	0	PLL	PCLK6 .. 1
	1	1	PLL	PCLK6 .. 2
PLL	1	0	PLL	BRGn
	1	1		PCLK1, BRGn
SSCG	1	X	PLL	BRGn



**(4) Workaround - Slave mode operation**

In order to avoid the CSIBn stuck condition in slave mode take the following precautions.

- **Transmit mode or transmit/receive mode:**  
Make sure the external CSIBn clock is not input in parallel when writing to the CBnTX0 register after a transmission sequence is finished.
- **Receive mode:**  
Make sure the external CSIBn clock is not input in parallel when reading from the CBnRX0 register after a reception sequence is finished.



# Chapter 19 I<sup>2</sup>C Bus (IIC)

The V850E/Dx3 microcontrollers have following instances of the I<sup>2</sup>C Bus interface IIC:

IIC	All devices
Instances	2
Names	IIC0 to IIC1

Throughout this chapter, the individual instances of I<sup>2</sup>C Bus interface are identified by “n”, for example IICn, or IICCN for the IICn control register.

## 19.1 Features

The I<sup>2</sup>C provides a synchronous serial interface with the following features:

- Supports Master and Slave mode
- 8-bit data transfer
- Transfer speed
  - up to 100 kbit/s (Standard Mode)
  - up to 381kbit/s (Fast Mode)
- I<sup>2</sup>C root clock sources from main oscillator, PLL and SSCG
- Two wire interface
  - SCLn: serial clock
  - SDAn: serial data
- Noise filter on SCLn and SDAn input
  - spikes with a width of less than one period of IICLK are suppressed
- IICn interrupts can be used for triggering the DMA Controller

## 19.2 I<sup>2</sup>C Pin Configuration

The I<sup>2</sup>C function requires to define the pins SCL0 and SDA0 as input and open drain output pins simultaneously. In the following the pin configuration registers are listed to be set up properly for I<sup>2</sup>C:

- PFSR0.PFSR04 = 1/0: select input for I<sup>2</sup>C0
- PLCDC6.PLCDC64/65 = 0: no LCD output (if applicable)
- PMCn.PMCnm = 1: alternative mode
- Input type:
  - PICCn.PICCnm = 0: non-Schmitt Trigger input for standard mode
  - PICCn.PICCnm = 1: Schmitt Trigger input for fast-speed mode
- PILCn.PILCnm = 0: CMOS1 level
- PDSCn.PDSCnm = 1: drive strength control Limit2
- PODCn.PODCnm = 1: open drain output
- PMn.PMnm = 1: input mode

It is recommended to set the output mode as the last step.

Table 19-2 shows how to set up the registers for activating I<sup>2</sup>C0 from different pin groups.

Table 19-1 I<sup>2</sup>C interface pins set up

I <sup>2</sup> Cn	PFSR0 register	Pins and pin group	Register settings
I <sup>2</sup> C0	PFSR0.PFSR04 = 0	SDA0/SCL0 via P16/P17	PMC1.PMC1[7:6] = 11 <sub>B</sub> PICC1.PICC1[7:6] = 00 <sub>B</sub> /11 <sub>B</sub> <sup>a</sup> PILC1.PILC1[7:6] = 00 <sub>B</sub> PDSC1.PDSC1[7:6] = 11 <sub>B</sub> PODC1.PODC1[7:6] = 11 <sub>B</sub> PM1.PM1[7:6] = 11 <sub>B</sub>
	PFSR0.PFSR04 = 1	SCL0/SDA0 via P64/P65	PLCDC6.PLCDC6[5:4] = 00 <sub>B</sub> PMC6.PMC6[5:4] = 11 <sub>B</sub> PICC6.PICC6[5:4] = 00 <sub>B</sub> /11 <sub>B</sub> <sup>a</sup> PILC6.PILC6[5:4] = 00 <sub>B</sub> PDSC6.PDSC6[5:4] = 11 <sub>B</sub> PODC6.PODC6[5:4] = 11 <sub>B</sub> PM6.PM6[5:4] = 11 <sub>B</sub>

<sup>a)</sup> PICCnm = 00<sub>B</sub> for standard mode, PICCnm = 11<sub>B</sub> for fast-speed mode

## 19.3 I<sup>2</sup>C Pin Configuration

The I<sup>2</sup>C function requires to define the pins SCLn and SDAn as input and open drain output pins simultaneously. In the following the pin configuration registers are listed to be set up properly for I<sup>2</sup>C:

- PFSR0.PFSR04/5 = 1/0: select input for I<sup>2</sup>Cn (where applicable)
- PLDCn.PLDCnm = 0: no LCD output (where applicable)
- PFCn.PFCnm = 1/0: select ALT1-/ALT2-OUT (where applicable)
- PMCn.PMCnm = 1: alternative mode
- Input type:
  - PICCn.PICCnm = 0: non-Schmitt Trigger input for standard mode
  - PICCn.PICCnm = 1: Schmitt Trigger input for fast-speed mode
- PILCn.PILCnm = 0: CMOS1 level
- PDSCn.PDSCnm = 1: drive strength control Limit2
- PODCn.PODCnm = 1: open drain output
- PMn.PMnm = 1: input mode

It is recommended to set the output mode in the last step.

*Table 19-2* shows how to set up the registers for activating I<sup>2</sup>C0 and I<sup>2</sup>C1 from different pin groups.

Table 19-2 I<sup>2</sup>C interface pins set up

I <sup>2</sup> Cn	PFSR0 register	Pins and pin group	Register settings
I <sup>2</sup> C0	PFSR0.PFSR04 = 0	SDA0/SCL0 via P16/P17	PMC1.PMC1[7:6] = 11 <sub>B</sub> PICC1.PICC1[7:6] = 00 <sub>B</sub> /11 <sub>B</sub> <sup>a</sup> PILC1.PILC1[7:6] = 00 <sub>B</sub> PDSC1.PDSC1[7:6] = 11 <sub>B</sub> PODC1.PODC1[7:6] = 11 <sub>B</sub> PM1.PM1[7:6] = 11 <sub>B</sub>
	PFSR0.PFSR04 = 1	SCL0/SDA0 via P64/P65	PLCDC6.PLCDC6[5:4] = 00 <sub>B</sub> PFC6.PFC6[5:4] = 00 <sub>B</sub> PMC6.PMC65 = 1 <sub>B</sub> PICC6.PICC6[5:4] = 00 <sub>B</sub> /11 <sub>B</sub> <sup>a</sup> PILC6.PILC6[5:4] = 00 <sub>B</sub> PDSC6.PDSC6[5:4] = 11 <sub>B</sub> PODC6.PODC6[5:4] = 11 <sub>B</sub> PM6.PM6[5:4] = 11 <sub>B</sub>
I <sup>2</sup> C1	PFSR0.PFSR05 = 0	SDA1/SCL1 via P20/P21	PLCDC2.PLCDC2[1:0] = 00 <sub>B</sub> PMC2.PMC2[1:0] = 11 <sub>B</sub> PICC2.PICC2[1:0] = 00 <sub>B</sub> /11 <sub>B</sub> <sup>a</sup> PILC2.PILC2[1:0] = 00 <sub>B</sub> PDSC2.PDSC2[1:0] = 11 <sub>B</sub> PODC2.PODC2[1:0] = 11 <sub>B</sub> PM2.PM2[1:0] = 11 <sub>B</sub>
	PFSR0.PFSR05 = 1	SDA1/SCL1 via P30/P31	PFC3.PFC30 = 1 <sub>B</sub> PMC3.PMC3[1:0] = 11 <sub>B</sub> PICC3.PICC3[1:0] = 00 <sub>B</sub> /11 <sub>B</sub> <sup>a</sup> PILC3.PILC3[1:0] = 00 <sub>B</sub> PDSC3.PDSC3[1:0] = 11 <sub>B</sub> PODC3.PODC3[1:0] = 11 <sub>B</sub> PM3.PM3[1:0] = 11 <sub>B</sub>

a) PICCnm = 00<sub>B</sub> for standard mode, PICCnm = 11<sub>B</sub> for fast-speed mode

## 19.4 I<sup>2</sup>C Pin Configuration

The I<sup>2</sup>C function requires to define the pins SCLn and SDAn as input and open drain output pins simultaneously. In the following the pin configuration registers are listed to be set up properly for I<sup>2</sup>C:

- PFSR0.PFSR04/5 = 1/0: select input for I<sup>2</sup>Cn (where applicable)
- PLDCn.PLDCnm = 0: no LCD output (where applicable)
- PFCn.PFCnm = 1/0: select ALT1-/ALT2-OUT (where applicable)
- PMCn.PMCnm = 1: alternative mode
- Input type:
  - PICCn.PICCnm = 0: non-Schmitt Trigger input for standard mode
  - PICCn.PICCnm = 1: Schmitt Trigger input for fast-speed mode
- PILCn.PILCnm = 0: CMOS1 level
- PDSCn.PDSCnm = 1: drive strength control Limit2
- PODCn.PODCnm = 1: open drain output
- PMn.PMnm = 1: input mode

It is recommended to set the output mode as the last step.

*Table 19-2* shows how to set up the registers for activating I<sup>2</sup>C0 and I<sup>2</sup>C1 from different pin groups.

Table 19-3 I<sup>2</sup>C interface pins set up

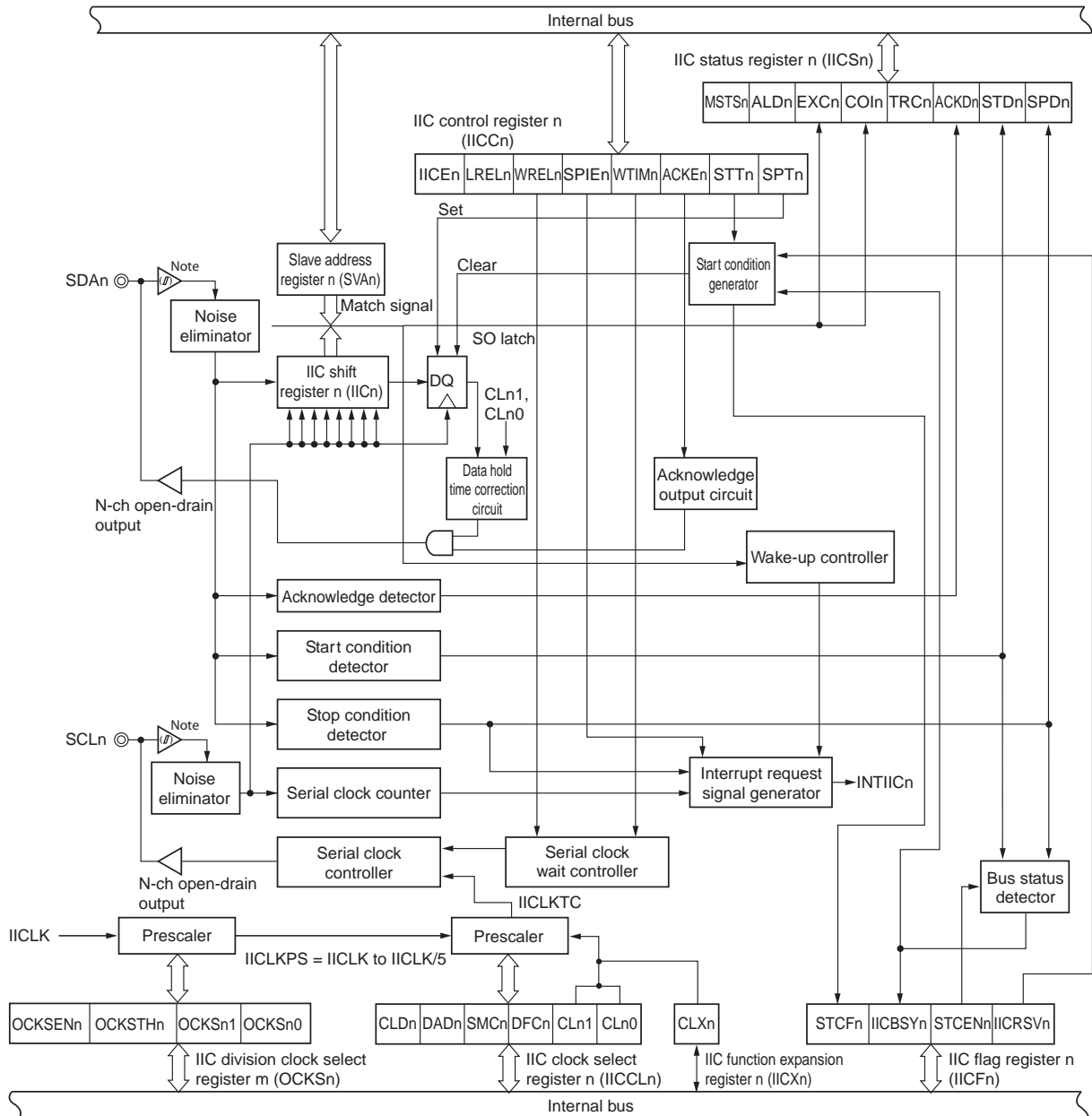
I <sup>2</sup> Cn	PFSR0 register	Pins and pin group	Register settings
I <sup>2</sup> C0	PFSR0.PFSR04 = 0	SDA0/SCL0 via P16/P17	PMC1.PMC1[7:6] = 11 <sub>B</sub> PICC1.PICC1[7:6] = 00 <sub>B</sub> /11 <sub>B</sub> <sup>a</sup> PILC1.PILC1[7:6] = 00 <sub>B</sub> PDSC1.PDSC1[7:6] = 11 <sub>B</sub> PODC1.PODC1[7:6] = 11 <sub>B</sub> PM1.PM1[7:6] = 11 <sub>B</sub>
	PFSR0.PFSR04 = 1	SCL0/SDA0 via P64/P65	PLCDC6.PLCDC6[5:4] = 00 <sub>B</sub> PFC6.PFC6[5:4] = 00 <sub>B</sub> PMC6.PMC6[5:4] = 11 <sub>B</sub> PICC6.PICC6[5:4] = 00 <sub>B</sub> /11 <sub>B</sub> <sup>a</sup> PILC6.PILC6[5:4] = 00 <sub>B</sub> PDSC6.PDSC6[5:4] = 11 <sub>B</sub> PODC6.PODC6[5:4] = 11 <sub>B</sub> PM6.PM6[5:4] = 11 <sub>B</sub>
I <sup>2</sup> C1	PFSR0.PFSR05 = 0	SDA1/SCL1 via P20/P21	PLCDC2.PLCDC2[1:0] = 00 <sub>B</sub> PFC2.PFC2[1:0] = 00 <sub>B</sub> PMC2.PMC2[1:0] = 11 <sub>B</sub> PICC2.PICC2[1:0] = 00 <sub>B</sub> /11 <sub>B</sub> <sup>a</sup> PILC2.PILC2[1:0] = 00 <sub>B</sub> PDSC2.PDSC2[1:0] = 11 <sub>B</sub> PODC2.PODC2[1:0] = 11 <sub>B</sub> PM2.PM2[1:0] = 11 <sub>B</sub>
	PFSR0.PFSR05 = 1	SDA1/SCL1 via P30/P31	PFC3.PFC30 = 1 <sub>B</sub> PMC3.PMC3[1:0] = 11 <sub>B</sub> PICC3.PICC3[1:0] = 00 <sub>B</sub> /11 <sub>B</sub> <sup>a</sup> PILC3.PILC3[1:0] = 00 <sub>B</sub> PDSC3.PDSC3[1:0] = 11 <sub>B</sub> PODC3.PODC3[1:0] = 11 <sub>B</sub> PM3.PM3[1:0] = 11 <sub>B</sub>

a) PICCnm = 00<sub>B</sub> for standard mode, PICCnm = 11<sub>B</sub> for fast-speed mode



## 19.5 Configuration

The block diagram of the I<sup>2</sup>C0n is shown below.



Note: Schmitt Trigger input buffer for fast-speed mode, non Schmitt Trigger for standard mode

Figure 19-1 Block diagram of I<sup>2</sup>C0n

A serial bus configuration example is shown below.

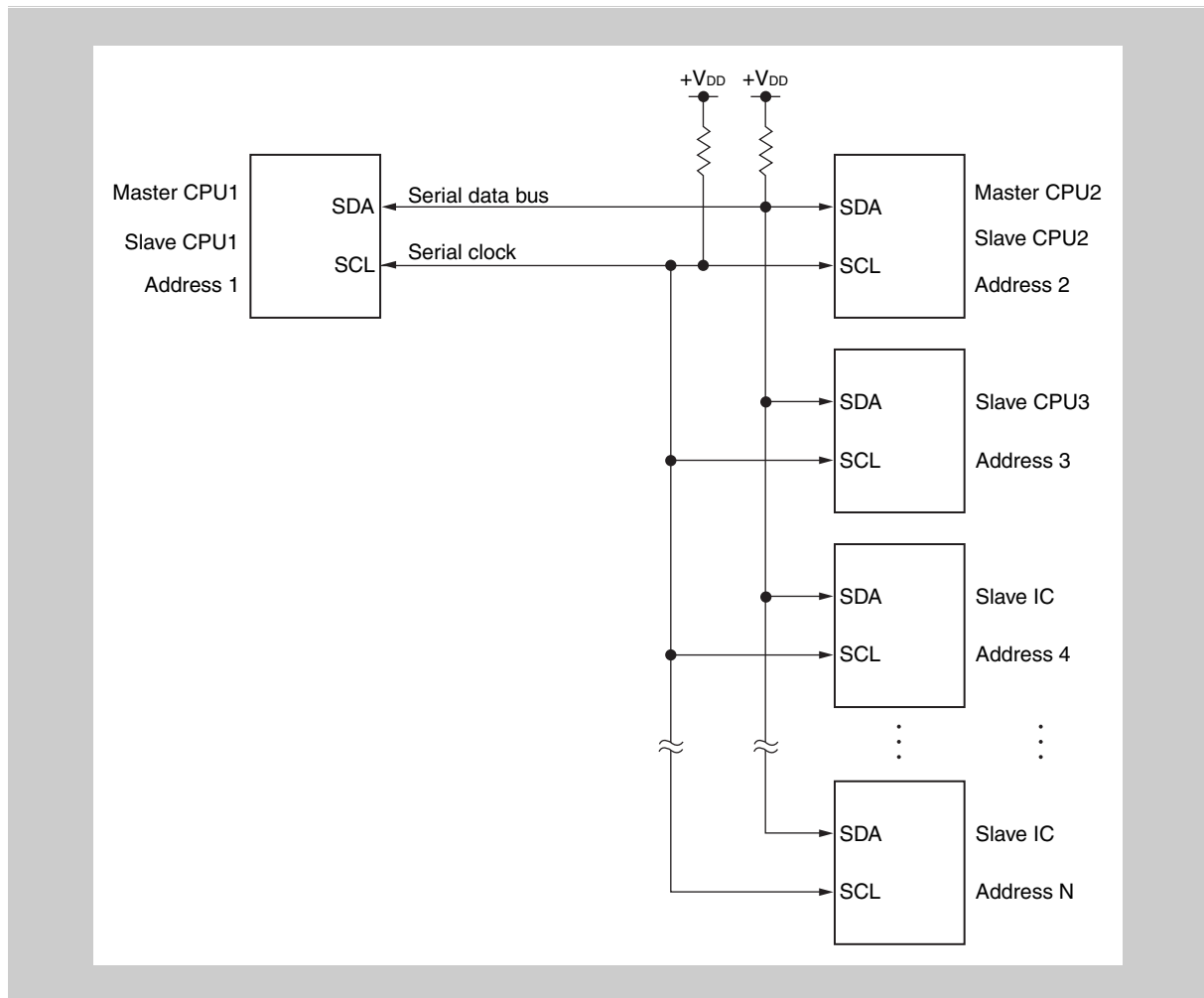


Figure 19-2 Serial bus configuration example using I<sup>2</sup>C bus

I<sup>2</sup>C0n includes the following hardware.

**(1) IIC shift register n (IICn)**

The IICn register converts 8-bit serial data into 8-bit parallel data and vice versa, and can be used for both transmission and reception.

Write and read operations to the IICn register are used to control the actual transmit and receive operations.

**(2) Slave address register n (SVAn)**

The SVAn register sets local addresses when in slave mode.

**(3) SO latch**

The SO latch is used to retain the output level of the SDA<sub>n</sub> pin.

**(4) Wakeup controller**

This circuit generates an interrupt request when the address received by this register matches the address value set to the SVAn register or when an extension code is received.

**(5) Prescaler**

This selects the sampling clock to be used.

**(6) Serial clock counter**

This counter counts the serial clocks that are output and the serial clocks that are input during transmit/receive operations and is used to verify that 8-bit data was transmitted or received.

**(7) Interrupt request signal generator**

This circuit controls the generation of interrupt request signals (INTIICn).

An I<sup>2</sup>C interrupt is generated following either of two triggers:

- Falling edge of eighth or ninth clock of the serial clock (set by IICn.WTIMn bit)
- Interrupt occurrence due to stop condition detection (set by IICn.SPIEn bit)

**(8) Serial clock controller**

In master mode, this circuit generates the clock output via the SCLn pin from the sampling clock.

**(9) Serial clock wait controller**

This circuit controls the wait timing.

**(10)  $\overline{\text{ACK}}$  output circuit, stop condition detector, start condition detector, and ACK detector**

These circuits are used to output and detect various control signals.

**(11) Data hold time correction circuit**

This circuit generates the hold time for data corresponding to the falling edge of the SCLn pin.

**(12) Start condition generator**

A start condition is issued when the IICn.STTn bit is set.

However, in the communication reservation disabled status (IICn.IICRSVn = 1), this request is ignored and the IICn.STCFn bit is set if the bus is not released (IICn.IICBSYn = 1).

**(13) Bus status detector**

Whether the bus is released or not is ascertained by detecting a start condition and stop condition.

However, the bus status cannot be detected immediately after operation, so set the bus status detector to the initial status by using the IICn.STCENn bit.

## 19.6 IIC Registers

The I<sup>2</sup>C serial interfaces IICn are controlled and operated by means of the following registers:

Table 19-4 IICn registers overview

Register name	Shortcut	Address
IICn shift register	IICn	<base>
IICn control register	IICCN	<base> + 2 <sub>H</sub>
IICn slave address register	SVAn	<base> + 3 <sub>H</sub>
IICn clock select register	IICCLn	<base> + 4 <sub>H</sub>
IICn function expansion register	IICXn	<base> + 5 <sub>H</sub>
IICn status register	IICSn	<base> + 6 <sub>H</sub>
IICn flag register	IICF0n	<base> + A <sub>H</sub>
IICn division clock select registers	OCKSn	<base> + 20 <sub>H</sub>

Table 19-5 IICn register base address

IICn	Base address <base>
IIC0	FFFF FD80 <sub>H</sub>
IIC1	FFFF FD90 <sub>H</sub>

**Note** IICn control register

The IICCN registers enable/stop I<sup>2</sup>C operations, set the wait timing and other I<sup>2</sup>C operations.

These registers can be read or written in 8-bit or 1-bit units. However, set the SPIEn, WTIMn, and ACKEn bits when the IICn.IICEn bit is 0 or during the wait period. When setting the IICn.IICEn bit from “0” to “1”, these bits can also be set at the same time.

**(1) IICn - IICn control registers**

The IICn registers enable/stop I<sup>2</sup>Cn operations, set the wait timing, and set other I<sup>2</sup>Cn operations.

**Access** This register can be read/written in 8-bit or 1-bit units.

**Address** <base> + 2<sub>H</sub>

**Initial Value** 00<sub>H</sub>. This register is cleared by any reset.

7	6	5	4	3	2	1	0
IICEn	LRELn	WRELn	SPIEn	WTIMn	ACKEEn	STTn	SPTn
R/W	R/W	R/W	R/W	R/W	R/W	R/W	R/W

IICEn	Specification of I <sup>2</sup> Cn operation enable/disable
0	Operation stopped. IICSn register reset <sup>Note</sup> . Internal operation stopped.
1	Operation enabled.
Condition for clearing (IICEn = 0)	
<ul style="list-style-type: none"> <li>• Cleared by instruction</li> <li>• After reset</li> </ul>	
Condition for setting (IICEn = 1)	
<ul style="list-style-type: none"> <li>• Set by instruction</li> </ul>	

**Note** The IICS register, IICFn.STCFn and IICFn.IICBSYn bits, and IICCLn.CLDn and IICCLn.DADn bits are reset.

LRELn	Exit from communications
0	Normal operation
1	This exits from the current communication operation and sets stand-by mode. This setting is automatically cleared after being executed. Its uses include cases in which a locally irrelevant extension code has been received. The SCLn and SDAn lines are set to high impedance. The STTn and SPTn bits and the MSTSn, EXCn, COIn, TRCn, ACKDn, and STDn bits of the IICSn register are cleared.
The stand-by mode following exit from communications remains in effect until the following communication entry conditions are met.	
<ul style="list-style-type: none"> <li>• After a stop condition is detected, restart is in master mode.</li> <li>• An address match occurs or an extension code is received after the start condition.</li> </ul>	
Condition for clearing (LRELn = 0)	
<ul style="list-style-type: none"> <li>• Automatically cleared after execution</li> <li>• After reset</li> </ul>	
Condition for setting (LRELn = 1)	
<ul style="list-style-type: none"> <li>• Set by instruction</li> </ul>	

WRELn	Wait cancellation control
0	Wait not cancelled
1	Wait cancelled. This setting is automatically cleared after wait is cancelled.
Condition for clearing (WRELn = 0)	
<ul style="list-style-type: none"> <li>• Automatically cleared after execution</li> <li>• After reset</li> </ul>	
Condition for setting (WRELn = 1)	
<ul style="list-style-type: none"> <li>• Set by instruction</li> </ul>	

SPIEn	Enable/disable generation of interrupt request when stop condition is detected	
0	Disabled	
1	Enabled	
Condition for clearing (SPIEn = 0)		Condition for setting (SPIEn = 1)
<ul style="list-style-type: none"> <li>Cleared by instruction</li> <li>After reset</li> </ul>		<ul style="list-style-type: none"> <li>Set by instruction</li> </ul>

WTIMn	Control of wait and interrupt request generation	
0	Interrupt request is generated at the eighth clock's falling edge. Master mode: After output of eight clocks, clock output is set to low level and wait is set. Slave mode: After input of eight clocks, the clock is set to low level and wait is set for the master device. In order to generate the ninth clock on SCLn the wait status must be cancelled by writing to IICn or setting IICn.WRELn = 1. Consequently the ninth clock will be delayed until the wait status is cancelled.	
1	Interrupt request is generated at the ninth clock's falling edge. Master mode: After output of nine clocks, clock output is set to low level and wait is set. Slave mode: After input of nine clocks, the clock is set to low level and wait is set for the master device.	
During address transfer, an interrupt occurs at the falling edge of the ninth clock regardless of this bit setting. This bit setting becomes valid when the address transfer is completed. In master mode, a wait is inserted at the falling edge of the ninth clock during address transfer. For a slave device that has received a local address, a wait is inserted at the falling edge of the ninth clock after an $\overline{ACK}$ signal is issued. When the slave device has received an extension code, however, a wait is inserted at the falling edge of the eighth clock.		
Condition for clearing (WTIMn = 0)		Condition for setting (WTIMn = 1)
<ul style="list-style-type: none"> <li>Cleared by instruction</li> <li>After reset</li> </ul>		<ul style="list-style-type: none"> <li>Set by instruction</li> </ul>

ACKEn	Acknowledgement control	
0	Acknowledgment disabled.	
1	Acknowledgment enabled. During the ninth clock period, the SDAn line is set to low level. However, $\overline{ACK}$ is invalid in other than extension mode during address transfers.	
Condition for clearing (ACKEn = 0)		Condition for setting (ACKEn = 1)
<ul style="list-style-type: none"> <li>Cleared by instruction</li> <li>After reset</li> </ul>		<ul style="list-style-type: none"> <li>Set by instruction</li> </ul>

STTn	Start condition trigger
0	Start condition is not generated.
1	<p>When bus is released (in STOP mode): A start condition is generated (for starting as master). The SDA<sub>n</sub> line is changed from high level to low level and then the start condition is generated. Next, after the rated amount of time has elapsed, the SCL<sub>n</sub> line is changed to low level.</p> <p>During communication with a third party: If the communication reservation function is enabled (IICFn.IICRSVn = 0)</p> <ul style="list-style-type: none"> <li>• This trigger functions as a start condition reserve flag. When set, it releases the bus and then automatically generates a start condition.</li> </ul> <p>If the communication reservation function is disabled (IICRSVn = 1)</p> <ul style="list-style-type: none"> <li>• The IICFn.STCFn bit is set. This trigger does not generate a start condition.</li> </ul> <p>In the wait state (when master device): A restart condition is generated after the wait is released.</p>
<p>Cautions concerning set timing</p> <p>For master reception:      Cannot be set during transfer. Can be set only when the ACKEn bit has been set to 0 and the slave has been notified of final reception.</p> <p>For master transmission:    A start condition cannot be generated normally during the <math>\overline{\text{ACK}}</math> period. Set during the wait period.</p> <p>For slave:                      Even when the communication reservation function is disabled (IICRSVn bit = 1), the communication reservation status is entered.</p>	
Condition for clearing (STTn = 0) <sup>Note</sup>	Condition for setting (STTn = 1)
<ul style="list-style-type: none"> <li>• Cleared by loss in arbitration</li> <li>• Cleared after start condition is generated by master device</li> <li>• When the LRELn = 1 (communication save)</li> <li>• When the IICEn = 0 (operation stop)</li> <li>• After reset</li> </ul>	<ul style="list-style-type: none"> <li>• Set by instruction</li> </ul>

**Note** The STTn bit is 0 if it is read immediately after data setting.

SPTn	Stop condition trigger
0	Stop condition is not generated.
1	Stop condition is generated (termination of master device's transfer). After the SDAn line goes to low level, either set the SCLn line to high level or wait until it goes to high level. Next, after the rated amount of time has elapsed, the SDAn line is changed from low level to high level and a stop condition is generated.
<p>Cautions concerning set timing</p> <p>For master reception: Cannot be set during transfer. Can be set only when the ACKEn bit has been set to 0 and during the wait period after the slave has been notified of final reception.</p> <p>For master transmission: A stop condition cannot be generated normally during the <math>\overline{ACK}</math> period. Set during the wait period.</p> <ul style="list-style-type: none"> <li>SPTn cannot be set at the same time as the STTn bit.</li> <li>The SPTn bit can be set only when in master mode <b>Note 1</b>.</li> <li>When the WTIMn bit has been set to 0 and the SPTn bit is set during the wait period that follows output of eight clocks, note that a stop condition will be generated during the high-level period of the ninth clock. When the ninth clock must be output to apply the <math>\overline{ACK}</math> on the bus by the receiving device, proceed as follows: <ul style="list-style-type: none"> <li>Change IICn.WTIMn from 0 to 1 in order to receive an additional interrupt after the ninth clock.</li> <li>Cancel the wait state by IICn.WRELn = 1 or by writing to the IICn register.</li> <li>Upon the interrupt after the ninth clock require to set the stop condition by IICn.STPn = 1. By this the wait status will be cancelled and the stop condition will be generated on the bus.</li> </ul> </li> </ul>	
Condition for clearing (SPTn = 0) <b>Note 2</b>	
<ul style="list-style-type: none"> <li>Cleared by loss in arbitration</li> <li>Automatically cleared after stop condition is detected</li> <li>When the LRELn = 1 (communication save)</li> <li>When the IICEn = 0 (operation stop)</li> <li>After reset</li> </ul>	Condition for setting (SPTn = 1)
	<ul style="list-style-type: none"> <li>Set by instruction</li> </ul>

- Note**
- Set the SPTn bit only in master mode. However, when communication reservation is enabled (IICFn.IICRSVn = 0), the SPTn bit must be set and a stop condition generated before the first stop condition is detected following the switch to the operation enabled status. For details, see "Cautions" on page 705.
  - Clearing the IICEn bit to 0 invalidates the signals of this flag.
  - The SPTn bit is 0 if it is read immediately after data setting.

**Caution** When the TRCn = 1, the WRELn bit is set during the ninth clock and wait is canceled, after which the TRCn bit is cleared and the SDAn line is set to high impedance.



**(2) IICSn - IICn status registers**

The IICSn registers indicate the status of the I<sup>2</sup>Cn bus.

**Access** This register can only be read in 8-bit or 1-bit units.

**Address** <base> + 6<sub>H</sub>

**Initial Value** 00<sub>H</sub>. This register is cleared by any reset.

7	6	5	4	3	2	1	0
MSTS <sub>n</sub>	ALD <sub>n</sub>	EXC <sub>n</sub>	COI <sub>n</sub>	TRC <sub>n</sub>	ACKD <sub>n</sub>	STD <sub>n</sub>	SPD <sub>n</sub>
R	R	R	R	R	R	R	R

MSTS <sub>n</sub>	Master device status
0	Slave device status or communication stand-by status
1	Master device communication status
Condition for clearing (MSTS <sub>n</sub> = 0)	
<ul style="list-style-type: none"> <li>• When a stop condition is detected</li> <li>• When the ALD<sub>n</sub> = 1 (arbitration loss)</li> <li>• Cleared by LREL<sub>n</sub> = 1 (communication save)</li> <li>• When the IICEn bit changes from 1 to 0 (operation stop)</li> <li>• After reset</li> </ul>	
Condition for setting (MSTS <sub>n</sub> = 1)	
<ul style="list-style-type: none"> <li>• When a start condition is generated</li> </ul>	

ALD <sub>n</sub>	Arbitration loss detection
0	This status means either that there was no arbitration or that the arbitration result was a “win”.
1	This status indicates the arbitration result was a “loss”. The MSTS <sub>n</sub> bit is cleared.
Condition for clearing (ALD <sub>n</sub> = 0)	
<ul style="list-style-type: none"> <li>• Automatically cleared after the IICSn register is read <b>Note</b></li> <li>• When the IICEn bit changes from 1 to 0 (operation stop)</li> <li>• After reset</li> </ul>	
Condition for setting (ALD <sub>n</sub> = 1)	
<ul style="list-style-type: none"> <li>• When the arbitration result is a “loss”.</li> </ul>	

**Note** Any bit manipulation instruction targeting this register also clears this bit.

EXC <sub>n</sub>	Detection of extension code reception
0	Extension code was not received.
1	Extension code was received.
Condition for clearing (EXC <sub>n</sub> = 0)	
<ul style="list-style-type: none"> <li>• When a start condition is detected</li> <li>• When a stop condition is detected</li> <li>• Cleared by LREL<sub>n</sub> = 1 (communication save)</li> <li>• When the IICEn bit changes from 1 to 0 (operation stop)</li> <li>• After reset</li> </ul>	
Condition for setting (EXC <sub>n</sub> = 1)	
<ul style="list-style-type: none"> <li>• When the higher four bits of the received address data are either “0000” or “1111” (set at the rising edge of the eighth clock).</li> </ul>	

COIn	Matching address detection	
0	Addresses do not match.	
1	Addresses match.	
Condition for clearing (COIn = 0)		Condition for setting (COIn = 1)
<ul style="list-style-type: none"> <li>When a start condition is detected</li> <li>When a stop condition is detected</li> <li>Cleared by LRELn bit = 1 (communication save)</li> <li>When the IICEn bit changes from 1 to 0 (operation stop)</li> <li>After reset</li> </ul>		<ul style="list-style-type: none"> <li>When the received address matches the local address (SVAn register) (set at the rising edge of the eighth clock).</li> </ul>

TRCn	Transmit/receive status detection	
0	Receive status (other than transmit status). The SDAn line is set to high impedance.	
1	Transmit status. The value in the SO latch is enabled for output to the SDAn line (valid starting at the falling edge of the first byte's ninth clock).	
Condition for clearing (TRCn = 0)		Condition for setting (TRCn = 1)
<ul style="list-style-type: none"> <li>When a stop condition is detected</li> <li>Cleared by LRELn = 1 (communication save)</li> <li>When the IICEn bit changes from 1 to 0 (operation stop)</li> <li>Cleared by WRELn = 1<sup>Note</sup></li> <li>When the ALDn bit changes from 0 to 1 (arbitration loss)</li> <li>After reset</li> </ul> <p>Master</p> <ul style="list-style-type: none"> <li>When "1" is output to the first byte's LSB (transfer direction specification bit)</li> </ul> <p>Slave</p> <ul style="list-style-type: none"> <li>When a start condition is detected</li> </ul> <p>When not used for communication</p>		<p>Master</p> <ul style="list-style-type: none"> <li>When a start condition is generated</li> </ul> <p>Slave</p> <ul style="list-style-type: none"> <li>When "1" is input by the first byte's LSB (transfer direction specification bit)</li> </ul>

ACKDn	ACK detection	
0	ACK was not detected.	
1	ACK was detected.	
Condition for clearing (ACKDn = 0)		Condition for setting (ACKD = 1)
<ul style="list-style-type: none"> <li>When a stop condition is detected</li> <li>At the rising edge of the next byte's first clock</li> <li>Cleared by LRELn = 1 (communication save)</li> <li>When the IICEn bit changes from 1 to 0 (operation stop)</li> <li>After reset</li> </ul>		<ul style="list-style-type: none"> <li>After the SDAn bit is set to low level at the rising edge of the SCLn pin's ninth clock</li> </ul>

www.DataSheet4U.com

**Note** The TRCn bit is cleared and SDAn line becomes high impedance when the WRELn bit is set and the wait state is canceled at the ninth clock by TRCn = 1.

STDn	Start condition detection	
0	Start condition was not detected.	
1	Start condition was detected. This indicates that the address transfer period is in effect	
Condition for clearing (STDn = 0)		Condition for setting (STDn = 1)
<ul style="list-style-type: none"> <li>• When a stop condition is detected</li> <li>• At the rising edge of the next byte's first clock following address transfer</li> <li>• Cleared by LRELn = 1 (communication save)</li> <li>• When the IICEn bit changes from 1 to 0 (operation stop)</li> <li>• After reset</li> </ul>		<ul style="list-style-type: none"> <li>• When a start condition is detected</li> </ul>

SPDn	Stop condition detection	
0	Stop condition was not detected.	
1	Stop condition was detected. The master device's communication is terminated and the bus is released.	
Condition for clearing (SPDn = 0)		Condition for setting (SPDn = 1)
<ul style="list-style-type: none"> <li>• At the rising edge of the address transfer byte's first clock following setting of this bit and detection of a start condition</li> <li>• When the IICEn bit changes from 1 to 0 (operation stop)</li> <li>• After reset</li> </ul>		<ul style="list-style-type: none"> <li>• When a stop condition is detected</li> </ul>

**(3) IICFn - IICn flag registers**

The registers set the I<sup>2</sup>Cn operation mode and indicate the I<sup>2</sup>C bus status.

**Access** This register can be read/written in 8-bit or 1-bit units.  
STCFn and IICBSYn bits are read-only.

**Address** <base> + A<sub>H</sub>

**Initial Value** 00<sub>H</sub>. This register is cleared by any reset.

7	6	5	4	3	2	1	0
STCFn	IICBSYn	0	0	0	0	STCENn	IICRSVn
R	R	R/W	R/W	R/W	R/W	R/W	R/W

IICRSVn enables/disables the communication reservation function.

The initial value of the IICBSYn bit is set by using the STCENn bit (see "Cautions" on page 705).

The IICRSVn and STCENn bits can be written only when operation of I<sup>2</sup>Cn is disabled (IICn.IICEn = 0). After operation is enabled, IICFn can be read.

STCFn	STTn clear
0	Start condition issued
1	Start condition cannot be issued, STTn bit cleared
Condition for clearing (STCFn = 0)	
<ul style="list-style-type: none"> <li>Cleared by IICn.STTn = 1</li> <li>After reset</li> </ul>	
Condition for setting (STCFn = 1)	
<ul style="list-style-type: none"> <li>When start condition is not issued and STTn flag is cleared during communication reservation is disabled (IICRSVn = 1).</li> </ul>	

IICBSYn	I <sup>2</sup> Cn bus status
0	Bus released status
1	Bus communication status
Condition for clearing (IICBSYn = 0)	
<ul style="list-style-type: none"> <li>When stop condition is detected</li> <li>After reset</li> </ul>	
Condition for setting (IICBSYn = 1)	
<ul style="list-style-type: none"> <li>When start condition is detected</li> <li>By setting the IICn.IICEn bit when the STCENn = 0</li> </ul>	

STCENn	Initial start enable trigger
0	Start conditions cannot be generated until a stop condition is detected following operation enable (IICEn bit = 1).
1	Start conditions can be generated even if a stop condition is not detected following operation enable (IICEn = 1).
Condition for clearing (STCENn = 0)	
<ul style="list-style-type: none"> <li>When start condition is detected</li> <li>After reset</li> </ul>	
Condition for setting (STCENn = 1)	
<ul style="list-style-type: none"> <li>Setting by instruction</li> </ul>	

IICRSVn	Communication reservation function disable bit	
0	Communication reservation enabled	
1	Communication reservation disabled	
Condition for clearing (IICRSVn = 0)		Condition for setting (IICRSVn = 1)
<ul style="list-style-type: none"> <li>• Clearing by instruction</li> <li>• After reset</li> </ul>		<ul style="list-style-type: none"> <li>• Setting by instruction</li> </ul>

**Note** Bits 6 and 7 are read-only bits.

- 
- Caution**
1. Write the STCENn bit only when operation is stopped (IICEn = 0).
  2. When the STCENn = 1, the bus released status (IICBSYn = 0) is recognized regardless of the actual bus status immediately after the I<sup>2</sup>Cn bus operation is enabled. Therefore, to issue the first start condition (STTn = 1), it is necessary to confirm that the bus has been released, so as to not disturb other communications.
  3. Write the IICRSVn bit only when operation is stopped (IICEn = 0).
-

**(4) IICCLn - IICn clock select registers**

The IICCLn registers set the transfer clock for the I<sup>2</sup>Cn bus.

The SMCn, CLn1, and CLn0 bits are set by the combination of the IICXn.CLXn bit and the OCKSTHn, OCKSn[1:0] bits of the OCKSn register (see “Transfer rate setting” on page 666).

**Access** This register can be read/written in 8-bit or 1-bit units.  
CLDn and DADn bits are read-only.

**Address** <base> + 4<sub>H</sub>

**Initial Value** 00<sub>H</sub>. This register is cleared by any reset.

7	6	5	4	3	2	1	0
0	0	CLDn	DADn	SMCn	DFCn	CLn1	CLn0
R/W	R/W	R	R	R/W	R/W	R/W	R/W

CLDn	Detection of SCLn pin level (valid only when IICn.IICEn = 1)
0	The SCLn pin was detected at low level.
1	The SCLn pin was detected at high level.
Condition for clearing (CLDn = 0)	
<ul style="list-style-type: none"> <li>When the SCLn pin is at low level</li> <li>When the IICEn = 0 (operation stop)</li> <li>After reset</li> </ul>	Condition for setting (CLDn = 1)
	<ul style="list-style-type: none"> <li>When the SCLn pin is at high level</li> </ul>

DADn	Detection of SDAn pin level (valid only when IICEn = 1)
0	The SDAn pin was detected at low level.
1	The SDAn pin was detected at high level.
Condition for clearing (DADn = 0)	
<ul style="list-style-type: none"> <li>When the SDAn pin is at low level</li> <li>When the IICEn = 0 (operation stop)</li> <li>After reset</li> </ul>	Condition for setting (DAD0n = 1)
	<ul style="list-style-type: none"> <li>When the SDAn pin is at high level</li> </ul>

SMCn	Operation mode switching
0	Operation in standard mode.
1	Operation in fast-speed mode.

DFCn	Digital filter operation control
0	Digital filter off.
1	Digital filter on.
<p>The digital filter can be used only in fast-speed mode. In fast-speed mode, the transfer clock does not vary regardless of the DFCn bit setting (on/off). The digital filter is used to eliminate noise in fast-speed mode.</p>	

**(5) IICXn - IICn function expansion registers**

The IICXn registers provide additional transfer data rate configuration in fast-speed mode. Setting of the IICXn.CLXn is performed in combination with the IICCLn.SMCn, IICCLn.CLn[1:0], OCKSn.OCKSTHn and OCKSn.OCKSn[1:0] (refer to “Transfer rate setting” on page 666)

**Access** This register can be read/written in 8-bit or 1-bit units.

**Address** <base> + 5<sub>H</sub>

**Initial Value** 00<sub>H</sub>. This register is cleared by any reset.

7	6	5	4	3	2	1	0
0	0	0	0	0	0	0	CLXn
R/W	R/W	R/W	R/W	R/W	R/W	R/W	R/W

**(6) OCKSn - IICn division clock select registers**

The OCKSn registers control the I<sup>2</sup>Cn division clock.

**Access** This register can be read/written in 8-bit or 1-bit units.

**Address** <base> + 20<sub>H</sub>

**Initial Value** 00<sub>H</sub>. This register is cleared by any reset.

7	6	5	4	3	2	1	0
0	0	0	OCKSENn	OCKSTHn	0	OCKSn1	OCKSn0
R/W	R/W	R/W	R/W	R/W	R/W	R/W	R/W

OCKSENn	Operation setting of I <sup>2</sup> C clock
0	Disable I <sup>2</sup> C division clock operation
1	Enable I <sup>2</sup> C division clock operation

OCKSTHn	OCKSn1	OCKSn0	Output clock IICLKPS
0	0	0	IICLK/2
0	0	1	IICLK/3
0	1	0	IICLK/4
0	1	1	IICLK/5
1	0	0	IICLK
Other than above			Setting prohibited

**(7) Transfer rate setting**

The nominal transfer rate of the I<sup>2</sup>C interface is determined by the following means:

- the root clock source for the I<sup>2</sup>C clock IICLK can be chosen as
  - main oscillator (4 MHz): ICC.IICSEL1 = 0
  - 32 MHz clock from the PLL: ICC.IICSEL1 = 1
- a prescaler in the Clock Generator divides the chosen clock source by
  - 1.0: ICC.IICPS[2:0]=000<sub>B</sub>
  - 3.5: ICC.IICPS[2:0]=101<sub>B</sub>
  - 4.5: ICC.IICPS[2:0]=111<sub>B</sub>

The output clock IICLK supplies the IIC interface.

- The IICLK can be divided by 1 to 5, configured by OCKSn.OCKSTHn and OCKSn.OCKSn[1:0] (refer to “OCKSn - IICn division clock select registers” on page 665). The output clock of this divider is named IICLKPS.
- IICLK respectively IICLKPS is passed through another configurable divider that finally outputs the clock for the serial transfer IICLKTC. This divider is configured by IICCLn.CL[1:0] and IICXn.CLX0 according to the following table:

**Note** The clock chosen as the input clock, that means IICLK or IICLKPS, must lie in the range of 1 MHz to 10 MHz.

IICXn.CLXn	IICCLn.SMCn	IICCLn.CLn1	IICCLn.CLn0	Input clock	Transfer clock	Mode
0	0	0	0	f <sub>IICLKPS</sub>	f <sub>IICLKPS</sub> /44	standard
		0	1	f <sub>IICLKPS</sub>	f <sub>IICLKPS</sub> /86	standard
		1	0	f <sub>IICLK</sub>	f <sub>IICLK</sub> /86	standard
		1	1	f <sub>IICLKPS</sub>	f <sub>IICLKPS</sub> /66	standard
	1	0	0	f <sub>IICLKPS</sub>	f <sub>IICLKPS</sub> /24	fast-speed
		0	1	f <sub>IICLKPS</sub>	f <sub>IICLKPS</sub> /24	fast-speed
		1	0	f <sub>IICLK</sub>	f <sub>IICLK</sub> /24	fast-speed
		1	1	f <sub>IICLKPS</sub>	f <sub>IICLKPS</sub> /18	fast-speed
1	0	x	x	n.a.	n.a.	n.a.
	1	0	0	f <sub>IICLKPS</sub>	f <sub>IICLKPS</sub> /12	fast-speed
		0	1	f <sub>IICLKPS</sub>	f <sub>IICLKPS</sub> /12	fast-speed
		1	0	f <sub>IICLK</sub>	f <sub>IICLK</sub> /12	fast-speed



Following table lists set-ups for some useful I<sup>2</sup>C transfer clocks.

Clock Generator		Prescaler		I <sup>2</sup> C module set-up				Transfer clock [KHz]
IICPS [2:0]	divisor	OCKSn	divisor	IICCLn. SMCn	IICXn. CLXn	IICCLn. CLn[1:0]	divisor	
101 <sub>B</sub>	3.5	1 0000 <sub>B</sub> = 10 <sub>H</sub>	2	1	1	00 <sub>B</sub>	12	380,95
101 <sub>B</sub>	3.5	1 0010 <sub>B</sub> = 12 <sub>H</sub>	4	1	0	00 <sub>B</sub>	24	95,24
111 <sub>B</sub>	4.5	1 0010 <sub>B</sub> = 12 <sub>H</sub>	4	1	0	11 <sub>B</sub>	18	98,77

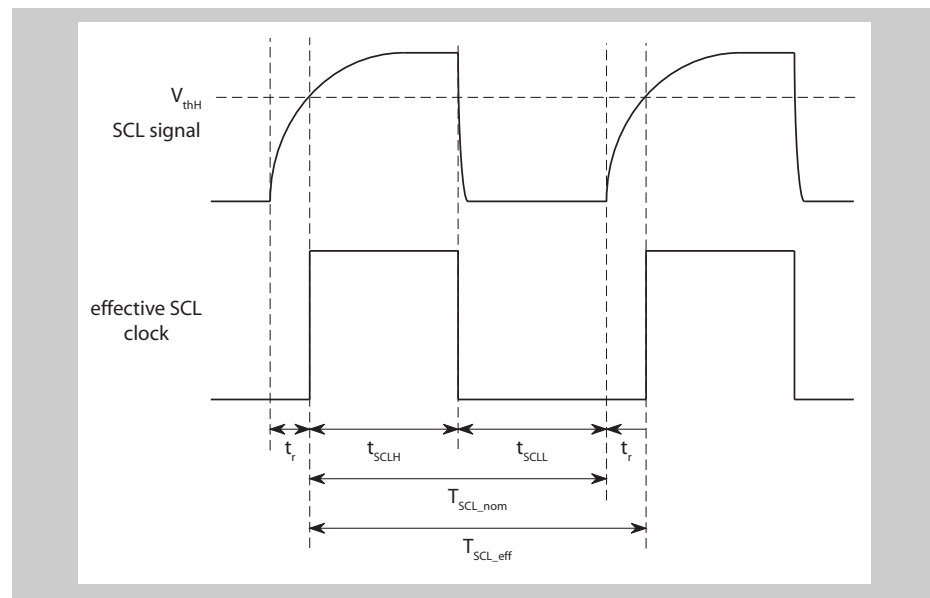
**Note** The calculations in the above table assumes that IICLK is 32 MHz (IIC.IICSEL1 = 1)

**Clock Stretching** Heavy capacitive load and the dimension of the external pull-up resistor on the I<sup>2</sup>C bus pins may yield extended rise times of the rising edge of SCLn and SDAn. Since the controller senses the level of the I<sup>2</sup>C bus signals it recognizes such situation and takes countermeasures by stretching the clock SCLn in order to ensure proper high level time  $t_{SCLH}$  of SCLn.

After the microcontroller releases the (open-drain) SCLn pin it waits until the SCLn level exceeds the valid high level threshold  $V_{thH}$ . Then it does not pull SCLn to low level before the nominal high level time  $t_{SCLH\_nom}$  has elapsed.

This mechanism is the same used, when a slow I<sup>2</sup>C slave device is pulling down SCLn to low level to initiate a wait state.

Figure 19-3 shows an example.



**Figure 19-3** Clock Stretching of SCLn

www.DataSheet4U.com

The effective clock frequency appearing at the SCLn pin calculates to

$$f_{SCL\_eff} = 1 / (T_{SCL\_nom} + t_r)$$

With a nominal frequency of  $f_{SCL\_nom} = 395$  KHz ( $T_{SCL\_nom} = 2.532$   $\mu$ s and a rise time of  $t_r = 135$  ns the effective frequency is  $f_{eff} = 375$  KHz.

**(8) IICn - IICn shift registers**

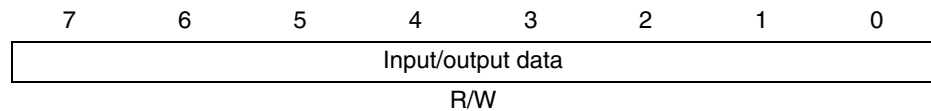
The IICn registers are used for serial transmission/reception (shift operations) synchronized with the serial clock.

A wait state is released by writing the IICn register during the wait period, and data transfer is started.

**Access** This register can be read/written in 8-bit units.  
Data should not be written to the IICn register during a data transfer.

**Address** <base>

**Initial Value** 00<sub>H</sub>. This register is cleared by any reset.

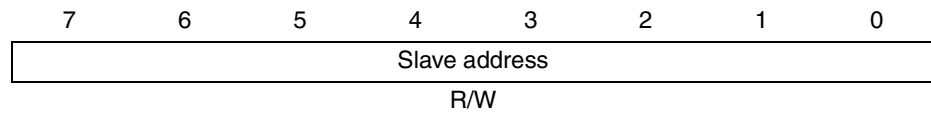
**(9) SVAn - IICn slave address registers**

The SVAn registers hold the I<sup>2</sup>C bus's slave addresses.

**Access** This register can be read/written in 8-bit units.  
Bit 0 should be fixed to 0.

**Address** <base> + 3<sub>H</sub>

**Initial Value** 00<sub>H</sub>. This register is cleared by any reset.



## 19.7 I<sup>2</sup>C Bus Pin Functions

The serial clock pin (SCLn) and serial data bus pin (SDAn) are configured as follows.

- SCLn  
This pin is used for serial clock input and output.

This pin is an N-ch open-drain output for both master and slave devices. Input is Schmitt Trigger input for fast-speed mode respectively non Schmitt Trigger for standard mode.

- SDAn  
This pin is used for serial data input and output.  
This pin is an N-ch open-drain output for both master and slave devices. Input is Schmitt Trigger input for fast-speed mode respectively non Schmitt Trigger for standard mode.

Since outputs from the serial clock line and the serial data bus line are N-ch open-drain outputs, an external pull-up resistor is required.

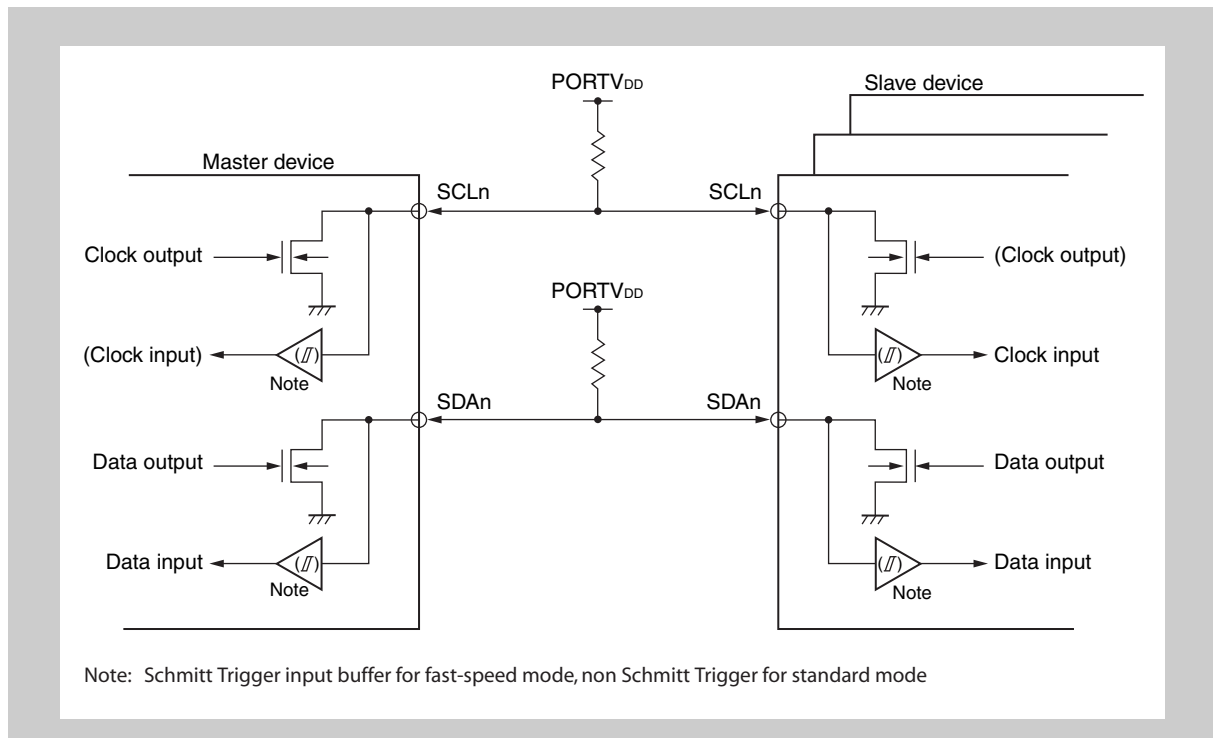
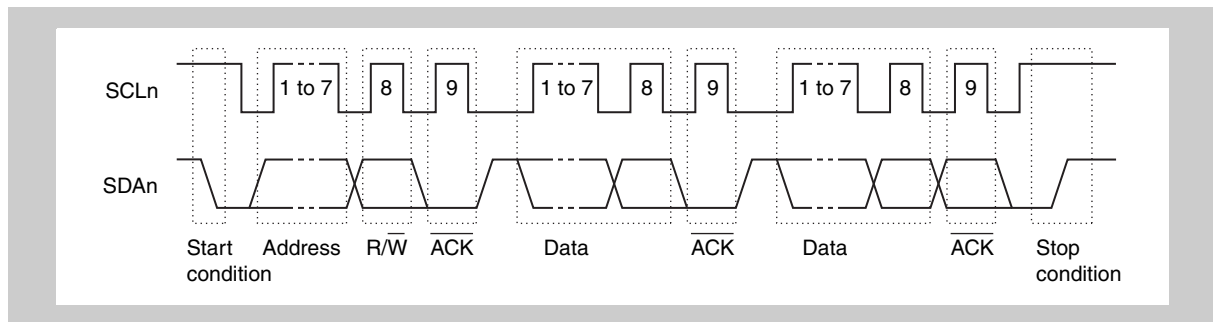


Figure 19-4 Pin configuration diagram

## 19.8 I<sup>2</sup>C Bus Definitions and Control Methods

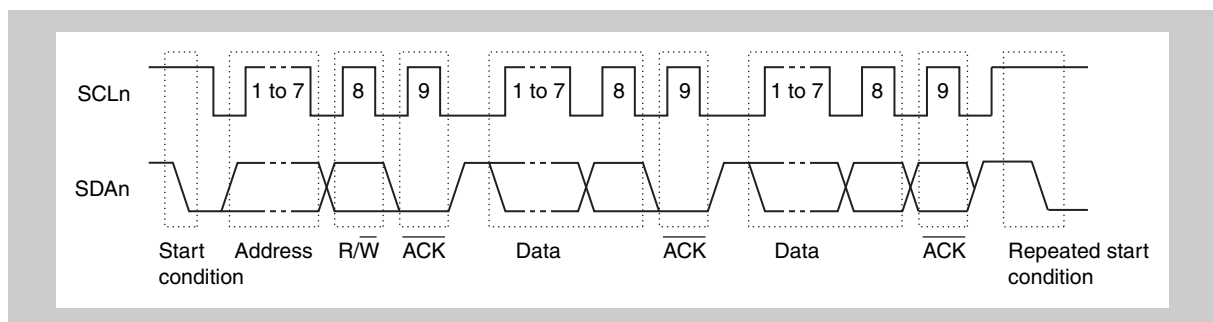
The following section describes the I<sup>2</sup>C bus's serial data communication format and the signals used by the I<sup>2</sup>C bus. The transfer timing for the "start

condition”, “data”, and “stop condition” output via the I<sup>2</sup>C bus’s serial data bus is shown below.



**Figure 19-5** I<sup>2</sup>C bus serial data transfer timing with stop termination

Instead of a stop condition the master may also send a repeated start condition, when it wishes to keep hold of the bus and to start a new data transfer.



**Figure 19-6** I<sup>2</sup>C bus serial data transfer timing with restart

The master device outputs the start condition, slave address, and stop condition.

The acknowledge signal (ACK) can be output by either the master or slave device (normally, it is output by the device that receives 8-bit data).

The serial clock (SCLn) is continuously output by the master device. However, in the slave device, the SCLn pin’s low-level period can be extended and a wait can be inserted.

### 19.8.1 Start condition

A start condition is met when the SCLn pin is high level and the SDA n pin changes from high level to low level. The start condition for the SCLn and SDA n pins is a signal that the master device outputs to the slave device when starting a serial transfer. The slave device can detect the start condition.

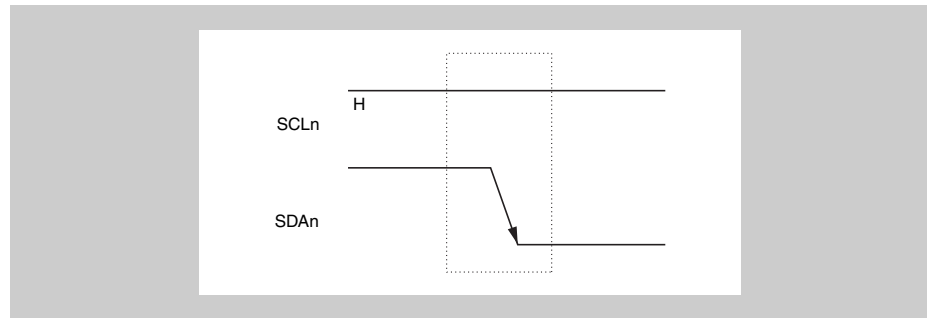


Figure 19-7 Start condition

A start condition is output when the IICn.STTn bit is set (1) after a stop condition has been detected (IICn.SPn bit = 1). When a start condition is detected, the IICn.STDn bit is set (1). By setting IICn.STTn=1 the master device will also cancel its own wait status.

## 19.8.2 Addresses

The 7 bits of data that follow the start condition are defined as an address.

An address is a 7-bit data segment that is output in order to select one of the slave devices that are connected to the master device via the bus lines.

Therefore, each slave device connected via the bus lines must have a unique address.

The slave devices include hardware that detects the start condition and checks whether or not the 7-bit address data matches the data values stored in the SVAn register. If the address data matches the values of the SVAn register, the slave device is selected and communicates with the master device until the master device transmits a start condition or stop condition.

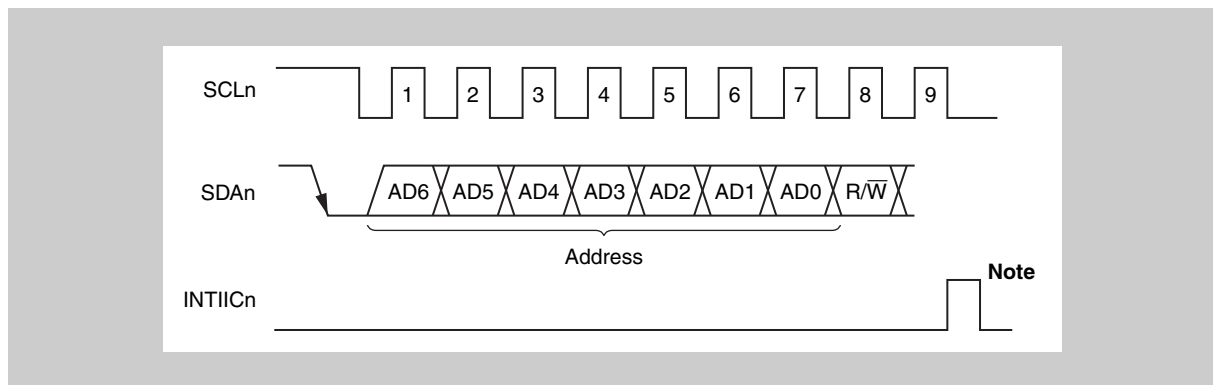


Figure 19-8 Address

**Note** The interrupt request signal (INTIICn) is generated if a local address or extension code is received during slave device operation.

The slave address and the eighth bit, which specifies the transfer direction as described in “Transfer direction specification” on page 672, are written together to IIC shift register n (IICn) and then output. Received addresses are written to the IICn register.

The slave address is assigned to the higher 7 bits of the IICn register.

### 19.8.3 Transfer direction specification

In addition to the 7-bit address data, the master device sends 1 bit that specifies the transfer direction. When this transfer direction specification bit has a value of 0, it indicates that the master device is transmitting data to a slave device. When the transfer direction specification bit has a value of 1, it indicates that the master device is receiving data from a slave device.

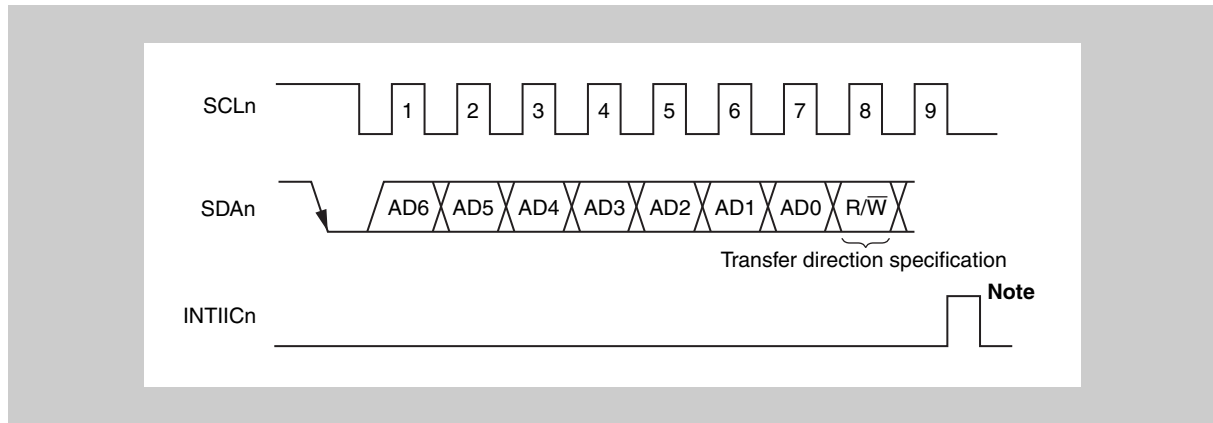


Figure 19-9 Transfer direction specification

**Note** The INTIICn signal is generated if a local address or extension code is received during slave device operation.

### 19.8.4 Acknowledge signal ( $\overline{\text{ACK}}$ )

The acknowledge signal ( $\overline{\text{ACK}}$ ) is used by the transmitting and receiving devices to confirm serial data reception.

The receiving device returns one  $\overline{\text{ACK}}$  signal for each 8 bits of data it receives. The transmitting device normally receives an  $\overline{\text{ACK}}$  signal after transmitting 8 bits of data. However, when the master device is the receiving device, it does not output an  $\overline{\text{ACK}}$  signal after receiving the final data to be transmitted. The transmitting device detects whether or not an  $\overline{\text{ACK}}$  signal is returned after it transmits 8 bits of data. When an  $\overline{\text{ACK}}$  signal is returned, the reception is judged as normal and processing continues. If the slave device does not return an  $\overline{\text{ACK}}$  signal, the master device outputs either a stop condition or a restart condition and then stops the current transmission. Failure to return an  $\overline{\text{ACK}}$  signal may be caused by the following two factors.

- Reception was not performed normally.
- The final data was received.

When the receiving device sets the SDA<sub>n</sub> line to low level during the ninth clock, the  $\overline{\text{ACK}}$  signal becomes active (normal receive response).

When the IIC<sub>n</sub>.ACKEn bit is set to 1, automatic  $\overline{\text{ACK}}$  signal generation is enabled.

Transmission of the eighth bit following the 7 address data bits causes the IIC<sub>n</sub>.TRCn bit to be set. When this TRCn bit's value is 0, it indicates receive mode. Therefore, the ACKEn bit should be set to 1.

When the slave device is receiving (when TRCn bit = 0), if the slave device does not need to receive any more data after receiving several bytes, clearing

the ACKEn bit to 0 will prevent the master device from starting transmission of the subsequent data.

Similarly, when the master device is receiving (when TRCn bit = 0) and the subsequent data is not needed and when either a restart condition or a stop condition should therefore be output, clearing the ACKEn bit to 0 will prevent the  $\overline{\text{ACK}}$  signal from being returned. This prevents the MSB from being output via the SDA<sub>n</sub> line (i.e., stops transmission) during transmission from the slave device.

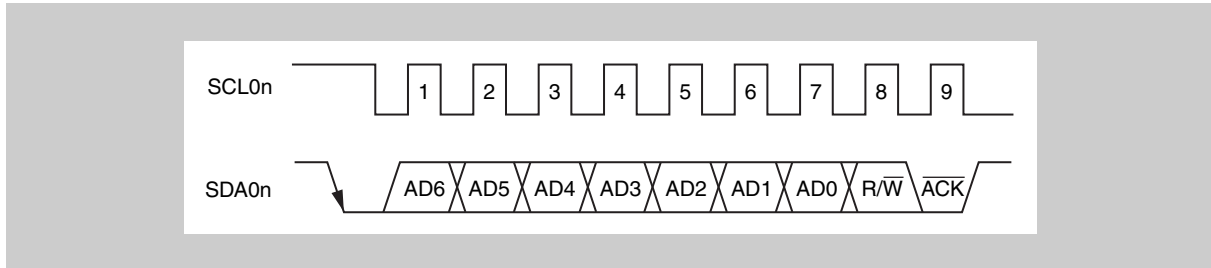


Figure 19-10  $\overline{\text{ACK}}$  signal

When the local address is received, an  $\overline{\text{ACK}}$  signal is automatically output in synchronization with the falling edge of the SCL<sub>n</sub> pin's eighth clock regardless of the value of the ACKEn bit. No  $\overline{\text{ACK}}$  signal is output if the received address is not a local address.

The  $\overline{\text{ACK}}$  signal output method during data reception is based on the wait timing setting, as described below.

When 8-clock wait is selected (IIC<sub>Cn</sub>.WTIM<sub>n</sub> bit = 0):

The  $\overline{\text{ACK}}$  signal is output at the falling edge of the SCL<sub>n</sub> pin's eighth clock if the ACKEn bit is set to 1 before wait cancellation.

When 9-clock wait is selected (IIC<sub>Cn</sub>.WTIM<sub>n</sub> bit = 1):

The  $\overline{\text{ACK}}$  signal is automatically output at the falling edge of the SCL<sub>n</sub> pin's eighth clock if the ACKEn bit has already been set to 1.

### 19.8.5 Stop condition

When the SCLn pin is high level, changing the SDA<sub>n</sub> pin from low level to high level generates a stop condition.

A stop condition is a signal that the master device outputs to the slave device when serial transfer has been completed. When used as the slave device, the start condition can be detected.

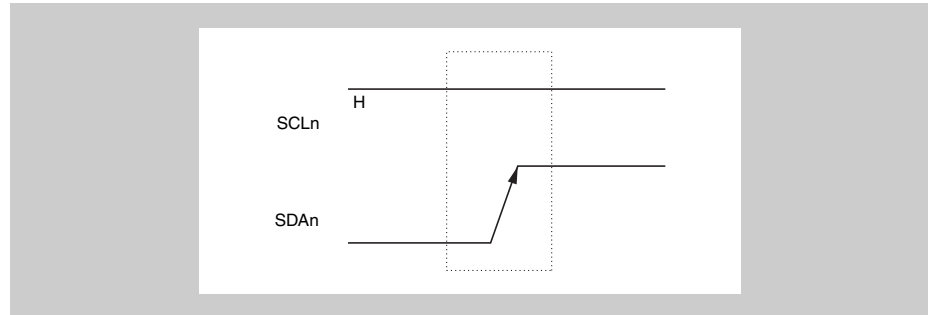


Figure 19-11 Stop condition

A stop condition is generated when the IICCN.SPTn bit is set to 1. When the stop condition is detected, the IICSn.SPDn bit is set to 1 and the INTIICn signal is generated when the IICCN.SPIEn bit is set to 1. By setting IICCN.STPn=1 the master device will also cancel its own wait status.



### 19.8.6 Wait signal ( $\overline{\text{WAIT}}$ )

The wait signal ( $\overline{\text{WAIT}}$ ) is used to notify the communication partner that a device (master or slave) is preparing to transmit or receive data (i.e., is in a wait state).

Setting the SCLn pin to low level notifies the communication partner of the wait status. When the wait status has been cancelled for both the master and slave devices, the next data transfer can begin.

- (1) **When master device has a nine-clock wait and slave device has an eight-clock wait (master: transmission, slave: reception, and IICn.ACKEn bit = 1)**

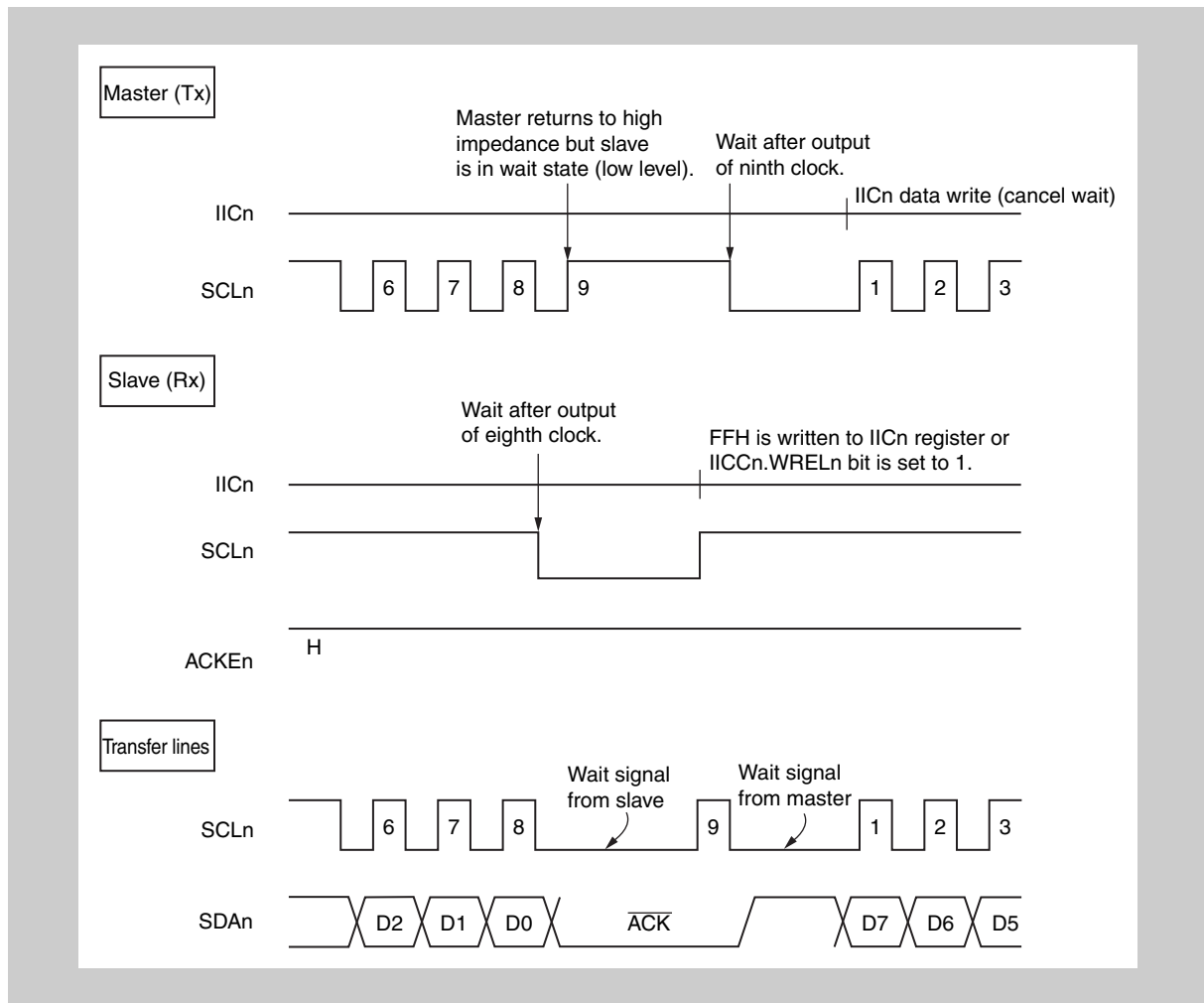


Figure 19-12 Wait signal (1/2)

(2) When master and slave devices both have a nine-clock wait  
(master: transmission, slave: reception, and ACKEn bit = 1)

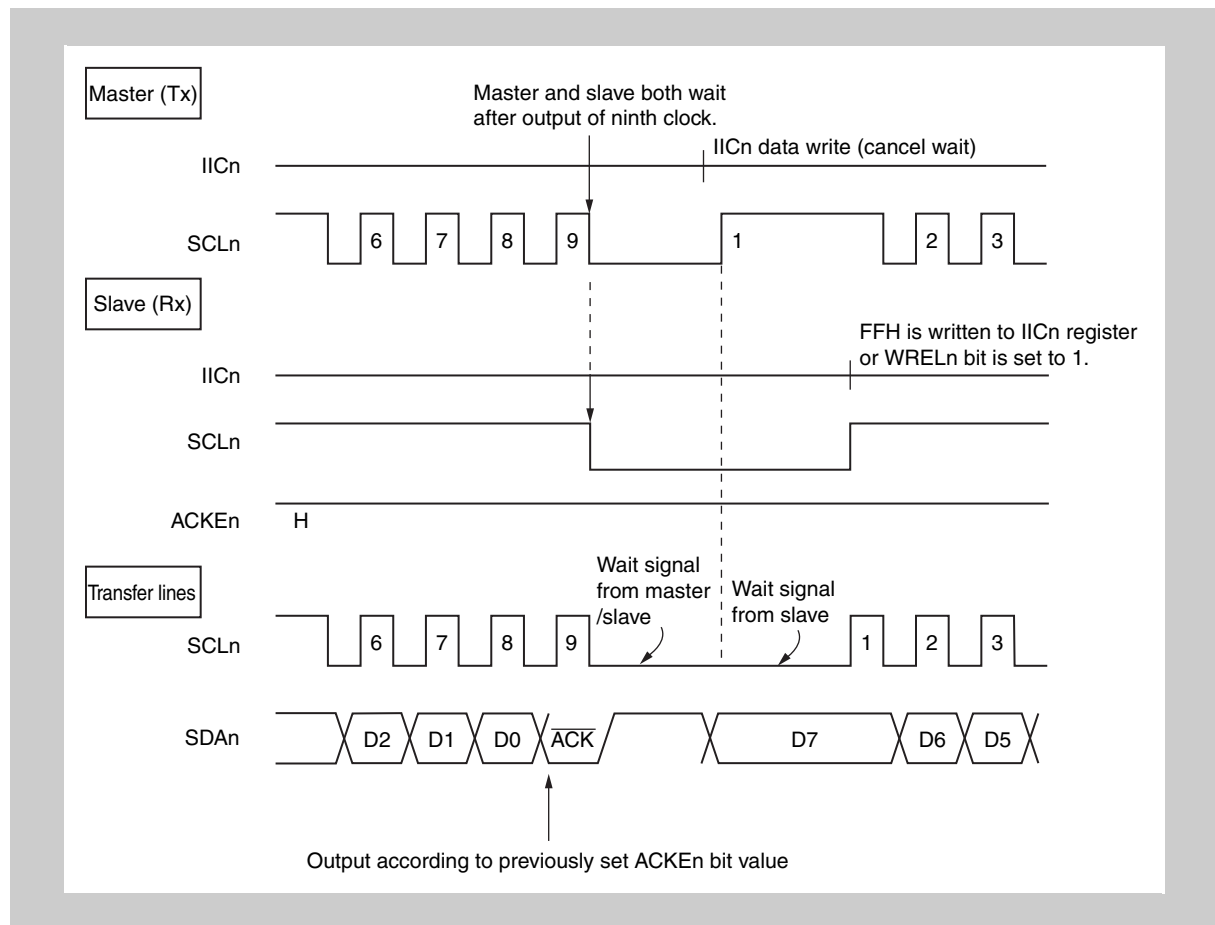


Figure 19-13 Wait signal (2/2)

A wait may be automatically generated depending on the setting of the IICn.WTIMn bit.

Normally, when the IICn.WRELn bit is set to 1 or when FFH is written to the IICn register on the receiving side, the wait status is cancelled and the transmitting side writes data to the IICn register to cancel the wait status.

The master device can also cancel its own wait status via either of the following methods.

- By setting the IICn.STTn bit to 1
- By setting the IICn.SPTn bit to 1

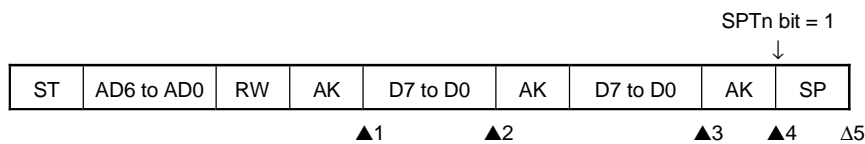
## 19.9 I<sup>2</sup>C Interrupt Request Signals (INTIICn)

The following shows the value of the IICSn register at the INTIICn interrupt request signal generation timing and at the INTIICn signal timing.

### 19.9.1 Master device operation

#### (1) Start ~ Address ~ Data ~ Data ~ Stop (normal transmission/reception)

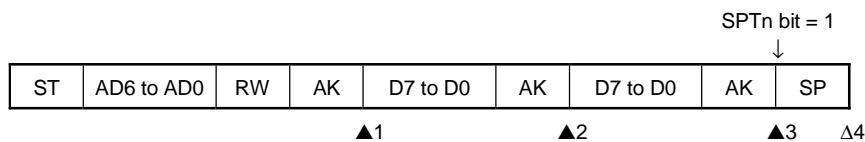
##### <1> When WTIMn bit = 0



- ▲1: IICSn register = 10XXX110B
- ▲2: IICSn register = 10XXX000B
- ▲3: IICSn register = 10XXX000B (WTIMn bit = 1)
- ▲4: IICSn register = 10XXX00B
- Δ5: IICSn register = 00000001B

- Remarks 1.** ▲: Always generated  
 Δ: Generated only when SPIEn bit = 1  
 X: don't care
- 2.** n = 0 to 2

##### <2> When WTIMn bit = 1

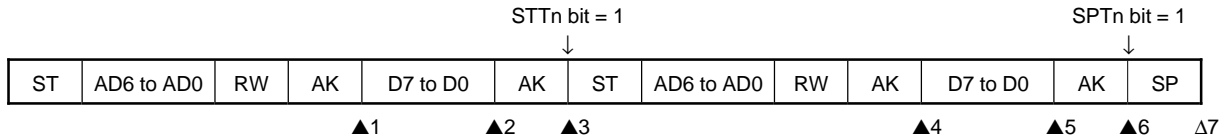


- ▲1: IICSn register = 10XXX110B
- ▲2: IICSn register = 10XXX100B
- ▲3: IICSn register = 10XXX00B
- Δ4: IICSn register = 00000001B

- Remarks 1.** ▲: Always generated  
 Δ: Generated only when SPIEn bit = 1  
 X: don't care
- 2.** n = 0 to 2

(2) Start ~ Address ~ Data ~ Start ~ Address ~ Data ~ Stop (restart)

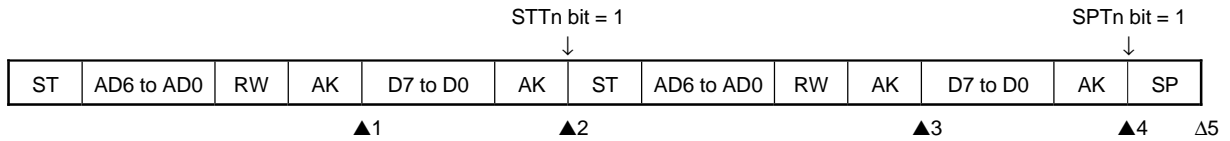
<1> When WTIMn bit = 0



- ▲1: IICSn register = 10XXX110B
- ▲2: IICSn register = 10XXX000B (WTIMn bit = 1)
- ▲3: IICSn register = 10XXX00B (WTIMn bit = 0)
- ▲4: IICSn register = 10XXX110B (WTIMn bit = 0)
- ▲5: IICSn register = 10XXX000B (WTIMn bit = 1)
- ▲6: IICSn register = 10XXX00B
- Δ 7: IICSn register = 00000001B

**Remarks 1.** ▲: Always generated  
 Δ: Generated only when SPIEn bit = 1  
 X: don't care  
 2. n = 0 to 2

<2> When WTIMn bit = 1

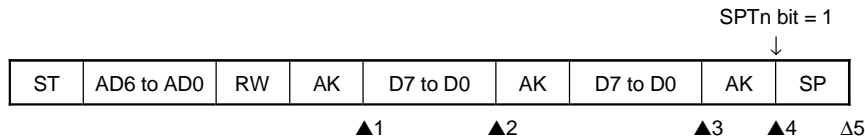


- ▲1: IICSn register = 10XXX110B
- ▲2: IICSn register = 10XXX00B
- ▲3: IICSn register = 10XXX110B
- ▲4: IICSn register = 10XXX00B
- Δ 5: IICSn register = 00000001B

**Remarks 1.** ▲: Always generated  
 Δ: Generated only when SPIEn bit = 1  
 X: don't care  
 2. n = 0 to 2

## (3) Start ~ Code ~ Data ~ Data ~ Stop (extension code transmission)

## &lt;1&gt; When WTIMn bit = 0



▲1: IICSn register = 1010X110B

▲2: IICSn register = 1010X000B

▲3: IICSn register = 1010X000B (WTIMn bit = 1)

▲4: IICSn register = 1010XX00B

Δ 5: IICSn register = 00000001B

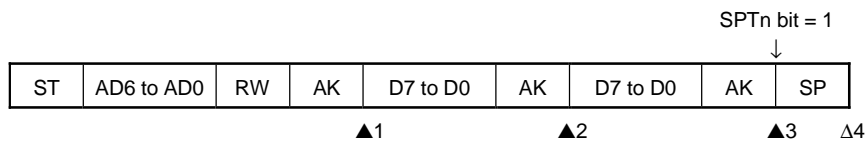
**Remarks 1. ▲:** Always generated

Δ: Generated only when SPIEn bit = 1

X: don't care

2. n = 0 to 2

## &lt;2&gt; When WTIMn bit = 1



▲1: IICSn register = 1010X110B

▲2: IICSn register = 1010X100B

▲3: IICSn register = 1010XX00B

Δ 4: IICSn register = 00000001B

**Remarks 1. ▲:** Always generated

Δ: Generated only when SPIEn bit = 1

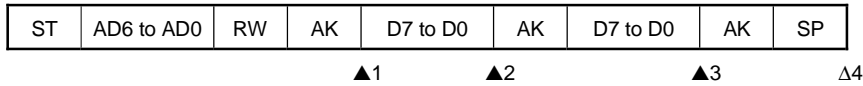
X: don't care

2. n = 0 to 2

## 19.9.2 Slave device operation

### (1) Start ~ Address ~ Data ~ Data ~ Stop

#### <1> When WTIMn bit = 0



▲1: IICSn register = 0001X110B

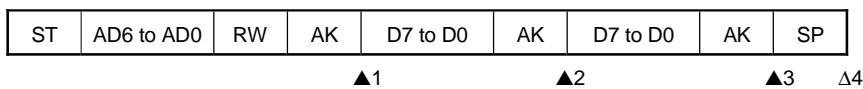
▲2: IICSn register = 0001X000B

▲3: IICSn register = 0001X000B

Δ 4: IICSn register = 00000001B

- Remarks 1.** ▲: Always generated  
 Δ: Generated only when SPIEn bit = 1  
 X: don't care  
 2. n = 0 to 2

#### <2> When WTIMn bit = 1



▲1: IICSn register = 0001X110B

▲2: IICSn register = 0001X100B

▲3: IICSn register = 0001XX00B

Δ 4: IICSn register = 00000001B

- Remarks 1.** ▲: Always generated  
 Δ: Generated only when SPIEn bit = 1  
 X: don't care  
 2. n = 0 to 2

## (2) Start ~ Address ~ Data ~ Start ~ Address ~ Data ~ Stop

## &lt;1&gt; When WTIMn bit = 0 (after restart, address match)

ST	AD6 to AD0	RW	AK	D7 to D0	AK	ST	AD6 to AD0	RW	AK	D7 to D0	AK	SP
			▲1		▲2				▲3		▲4	Δ5

▲1: IICSn register = 0001X110B

▲2: IICSn register = 0001X000B

▲3: IICSn register = 0001X110B

▲4: IICSn register = 0001X000B

Δ 5: IICSn register = 00000001B

**Remarks 1.** ▲: Always generated

Δ: Generated only when SPIEn bit = 1

X: don't care

**2.** n = 0 to 2

## &lt;2&gt; When WTIMn bit = 1 (after restart, address match)

ST	AD6 to AD0	RW	AK	D7 to D0	AK	ST	AD6 to AD0	RW	AK	D7 to D0	AK	SP
			▲1		▲2				▲3		▲4	Δ5

▲1: IICSn register = 0001X110B

▲2: IICSn register = 0001XX00B

▲3: IICSn register = 0001X110B

▲4: IICSn register = 0001XX00B

Δ 5: IICSn register = 00000001B

**Remarks 1.** ▲: Always generated

Δ: Generated only when SPIEn bit = 1

X: don't care

**2.** n = 0 to 2

## (3) Start ~ Address ~ Data ~ Start ~ Code ~ Data ~ Stop

## &lt;1&gt; When WTIMn bit = 0 (after restart, extension code reception)

ST	AD6 to AD0	RW	AK	D7 to D0	AK	ST	AD6 to AD0	RW	AK	D7 to D0	AK	SP
			▲1		▲2				▲3		▲4	Δ5

▲1: IICSn register = 0001X110B

▲2: IICSn register = 0001X000B

▲3: IICSn register = 0010X010B

▲4: IICSn register = 0010X000B

Δ 5: IICSn register = 00000001B

**Remarks 1.** ▲: Always generated

Δ: Generated only when SPIEn bit = 1

X: don't care

**2.** n = 0 to 2

## &lt;2&gt; When WTIMn bit = 1 (after restart, extension code reception)

ST	AD6 to AD0	RW	AK	D7 to D0	AK	ST	AD6 to AD0	RW	AK	D7 to D0	AK	SP	
			▲1		▲2				▲3	▲4		▲5	Δ6

▲1: IICSn register = 0001X110B

▲2: IICSn register = 0001XX00B

▲3: IICSn register = 0010X010B

▲4: IICSn register = 0010X110B

▲5: IICSn register = 0010XX00B

Δ 6: IICSn register = 00000001B

**Remarks 1.** ▲: Always generated

Δ: Generated only when SPIEn bit = 1

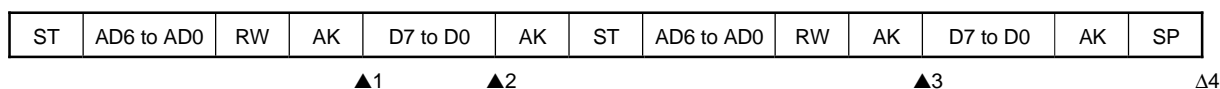
X: don't care

**2.** n = 0 to 2



## (4) Start ~ Address ~ Data ~ Start ~ Address ~ Data ~ Stop

&lt;1&gt; When WTIMn bit = 0 (after restart, address mismatch (= not extension code))



▲1: IICSn register = 0001X110B

▲2: IICSn register = 0001X000B

▲3: IICSn register = 00000X10B

Δ 4: IICSn register = 00000001B

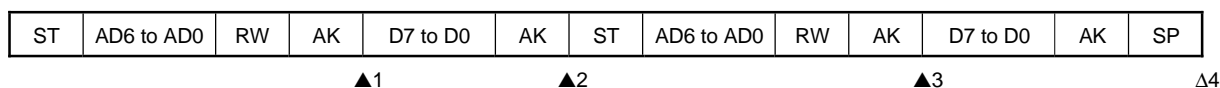
**Remarks 1.** ▲: Always generated

Δ: Generated only when SPIEn bit = 1

X: don't care

**2.** n = 0 to 2

&lt;2&gt; When WTIMn bit = 1 (after restart, address mismatch (= not extension code))



▲1: IICSn register = 0001X110B

▲2: IICSn register = 0001XX00B

▲3: IICSn register = 00000X10B

Δ 4: IICSn register = 00000001B

**Remarks 1.** ▲: Always generated

Δ: Generated only when SPIEn bit = 1

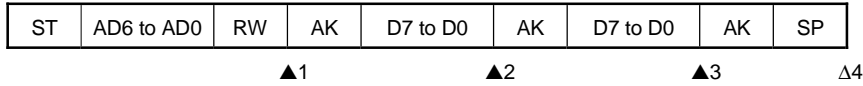
X: don't care

**2.** n = 0 to 2

### 19.9.3 Slave device operation (when receiving extension code)

#### (1) Start ~ Code ~ Data ~ Data ~ Stop

##### <1> When WTIMn bit = 0



▲1: IICSn register = 0010X010B

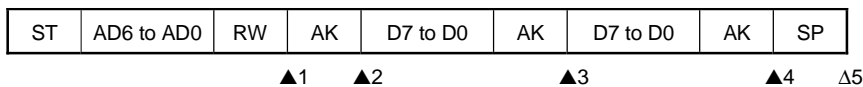
▲2: IICSn register = 0010X000B

▲3: IICSn register = 0010X000B

Δ 4: IICSn register = 00000001B

- Remarks 1.** ▲: Always generated  
 Δ: Generated only when SPIEn bit = 1  
 X: don't care  
 2. n = 0 to 2

##### <2> When WTIMn bit = 1



▲1: IICSn register = 0010X010B

▲2: IICSn register = 0010X110B

▲3: IICSn register = 0010X100B

▲4: IICSn register = 0010XX00B

Δ 5: IICSn register = 00000001B

- Remarks 1.** ▲: Always generated  
 Δ: Generated only when SPIEn bit = 1  
 X: don't care  
 2. n = 0 to 2

## (2) Start ~ Code ~ Data ~ Start ~ Address ~ Data ~ Stop

## &lt;1&gt; When WTIMn bit = 0 (after restart, address match)

ST	AD6 to AD0	RW	AK	D7 to D0	AK	ST	AD6 to AD0	RW	AK	D7 to D0	AK	SP
		▲1		▲2					▲3		▲4	Δ5

▲1: IICSn register = 0010X010B

▲2: IICSn register = 0010X000B

▲3: IICSn register = 0001X110B

▲4: IICSn register = 0001X000B

Δ 5: IICSn register = 00000001B

**Remarks 1.** ▲: Always generated

Δ: Generated only when SPIEn bit = 1

X: don't care

**2.** n = 0 to 2

## &lt;2&gt; When WTIMn bit = 1 (after restart, address match)

ST	AD6 to AD0	RW	AK	D7 to D0	AK	ST	AD6 to AD0	RW	AK	D7 to D0	AK	SP
		▲1	▲2		▲3				▲4		▲5	Δ6

▲1: IICSn register = 0010X010B

▲2: IICSn register = 0010X110B

▲3: IICSn register = 0010XX00B

▲4: IICSn register = 0001X110B

▲5: IICSn register = 0001XX00B

Δ 6: IICSn register = 00000001B

**Remarks 1.** ▲: Always generated

Δ: Generated only when SPIEn bit = 1

X: don't care

**2.** n = 0 to 2

## (3) Start ~ Code ~ Data ~ Start ~ Code ~ Data ~ Stop

## &lt;1&gt; When WTIMn bit = 0 (after restart, extension code reception)

ST	AD6 to AD0	RW	AK	D7 to D0	AK	ST	AD6 to AD0	RW	AK	D7 to D0	AK	SP
			▲1		▲2				▲3		▲4	Δ5

▲1: IICSn register = 0010X010B

▲2: IICSn register = 0010X000B

▲3: IICSn register = 0010X010B

▲4: IICSn register = 0010X000B

Δ 5: IICSn register = 00000001B

**Remarks 1.** ▲: Always generated

Δ: Generated only when SPIEn bit = 1

X: don't care

**2.** n = 0 to 2

## &lt;2&gt; When WTIMn bit = 1 (after restart, extension code reception)

ST	AD6 to AD0	RW	AK	D7 to D0	AK	ST	AD6 to AD0	RW	AK	D7 to D0	AK	SP	
			▲1	▲2		▲3			▲4	▲5		▲6	Δ7

▲1: IICSn register = 0010X010B

▲2: IICSn register = 0010X110B

▲3: IICSn register = 0010XX00B

▲4: IICSn register = 0010X010B

▲5: IICSn register = 0010X110B

▲6: IICSn register = 0010XX00B

Δ 7: IICSn register = 00000001B

**Remarks 1.** ▲: Always generated

Δ: Generated only when SPIEn bit = 1

X: don't care

**2.** n = 0 to 2

## (4) Start ~ Code ~ Data ~ Start ~ Address ~ Data ~ Stop

&lt;1&gt; When WTIMn bit = 0 (after restart, address mismatch (= not extension code))

ST	AD6 to AD0	RW	AK	D7 to D0	AK	ST	AD6 to AD0	RW	AK	D7 to D0	AK	SP
		▲1		▲2					▲3			Δ4

▲1: IICSn register = 0010X010B

▲2: IICSn register = 0010X000B

▲3: IICSn register = 00000X10B

Δ 4: IICSn register = 00000001B

**Remarks 1.** ▲: Always generated

Δ: Generated only when SPIEn bit = 1

X: don't care

**2.** n = 0 to 2

&lt;2&gt; When WTIMn bit = 1 (after restart, address mismatch (= not extension code))

ST	AD6 to AD0	RW	AK	D7 to D0	AK	ST	AD6 to AD0	RW	AK	D7 to D0	AK	SP
		▲1	▲2		▲3				▲4			Δ5

▲1: IICSn register = 0010X010B

▲2: IICSn register = 0010X110B

▲3: IICSn register = 0010XX00B

▲4: IICSn register = 00000X10B

Δ 5: IICSn register = 00000001B

**Remarks 1.** ▲: Always generated

Δ: Generated only when SPIEn bit = 1

X: don't care

**2.** n = 0 to 2

## 19.9.4 Operation without communication

### (1) Start ~ Code ~ Data ~ Data ~ Stop

ST	AD6 to AD0	RW	AK	D7 to D0	AK	D7 to D0	AK	SP
----	------------	----	----	----------	----	----------	----	----

Δ1

Δ 1: IICSn register = 00000001B

- Remarks** 1. Δ: Generated only when SPIEn bit = 1  
2. n = 0 to 2

## 19.9.5 Arbitration loss operation (operation as slave after arbitration loss)

### (1) When arbitration loss occurs during transmission of slave address data

#### <1> When WTIMn bit = 0

ST	AD6 to AD0	RW	AK	D7 to D0	AK	D7 to D0	AK	SP
			▲1	▲2		▲3		Δ4

▲1: IICSn register = 0101X110B (Example: When ALDn bit is read during interrupt servicing)

▲2: IICSn register = 0001X000B

▲3: IICSn register = 0001X000B

Δ 4: IICSn register = 00000001B

- Remarks** 1. ▲: Always generated  
Δ: Generated only when SPIEn bit = 1  
X: don't care  
2. n = 0 to 2

#### <2> When WTIMn bit = 1

ST	AD6 to AD0	RW	AK	D7 to D0	AK	D7 to D0	AK	SP
			▲1	▲2		▲3		Δ4

▲1: IICSn register = 0101X110B (Example: When ALDn bit is read during interrupt servicing)

▲2: IICSn register = 0001X100B

▲3: IICSn register = 0001XX00B

Δ 4: IICSn register = 00000001B

- Remarks** 1. ▲: Always generated  
Δ: Generated only when SPIEn bit = 1  
X: don't care  
2. n = 0 to 2

## (2) When arbitration loss occurs during transmission of extension code

## &lt;1&gt; When WTIMn bit = 0

ST	AD6 to AD0	RW	AK	D7 to D0	AK	D7 to D0	AK	SP
			▲1		▲2		▲3	Δ4

▲1: IICSn register = 0110X010B (Example: When ALDn bit is read during interrupt servicing)

▲2: IICSn register = 0010X000B

▲3: IICSn register = 0010X000B

Δ4: IICSn register = 00000001B

**Remarks 1.** ▲: Always generated

Δ: Generated only when SPIEn bit = 1

X: don't care

2. n = 0 to 2

## &lt;2&gt; When WTIMn bit = 1

ST	AD6 to AD0	RW	AK	D7 to D0	AK	D7 to D0	AK	SP
			▲1	▲2		▲3		▲4
								Δ5

▲1: IICSn register = 0110X010B (Example: When ALDn bit is read during interrupt servicing)

▲2: IICSn register = 0010X110B

▲3: IICSn register = 0010X100B

▲4: IICSn register = 0010XX00B

Δ5: IICSn register = 00000001B

**Remarks 1.** ▲: Always generated

Δ: Generated only when SPIEn bit = 1

X: don't care

2. n = 0 to 2

## 19.9.6 Operation when arbitration loss occurs

### (1) When arbitration loss occurs during transmission of slave address data

ST	AD6 to AD0	RW	AK	D7 to D0	AK	D7 to D0	AK	SP
			▲1					Δ2

▲1: IICSn register = 01000110B (Example: When ALDn bit is read during interrupt servicing)

Δ2: IICSn register = 00000001B

**Remarks 1.** ▲: Always generated

Δ: Generated only when SPIEn bit = 1

2. n = 0 to 2

### (2) When arbitration loss occurs during transmission of extension code

ST	AD6 to AD0	RW	AK	D7 to D0	AK	D7 to D0	AK	SP
			▲1					Δ2

▲1: IICSn register = 0110X010B (Example: When ALDn bit is read during interrupt servicing)

IICn.LRELn bit is set to 1 by software

Δ2: IICSn register = 00000001B

**Remarks 1.** ▲: Always generated

Δ: Generated only when SPIEn bit = 1

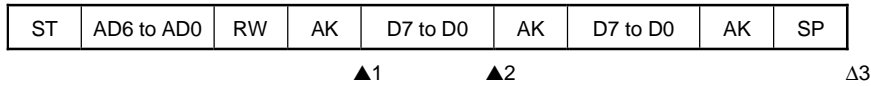
X: don't care

2. n = 0 to 2



## (3) When arbitration loss occurs during data transfer

## &lt;1&gt; When WTIMn bit = 0



▲1: IICSn register = 10001110B

▲2: IICSn register = 01000000B (Example: When ALDn bit is read during interrupt servicing)

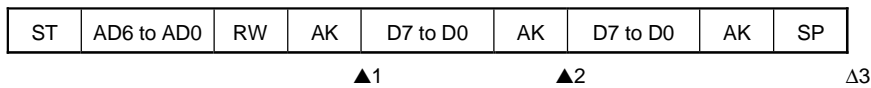
Δ3: IICSn register = 00000001B

**Remarks 1.** ▲: Always generated

Δ: Generated only when SPIEn bit = 1

2. n = 0 to 2

## &lt;2&gt; When WTIMn bit = 1



▲1: IICSn register = 10001110B

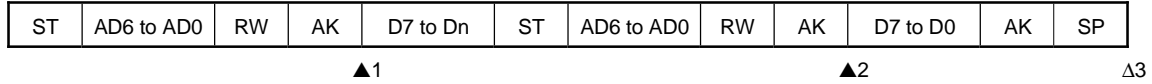
▲2: IICSn register = 01000100B (Example: When ALDn bit is read during interrupt servicing)

Δ3: IICSn register = 00000001B

**Remarks 1.** ▲: Always generated

Δ: Generated only when SPIEn bit = 1

2. n = 0 to 2

**(4) When arbitration loss occurs due to restart condition during data transfer****<1> Not extension code (Example: Address mismatch)**

▲1: IICSn register = 1000X110B

▲2: IICSn register = 01000110B (Example: When ALDn bit is read during interrupt servicing)

Δ 3: IICSn register = 00000001B

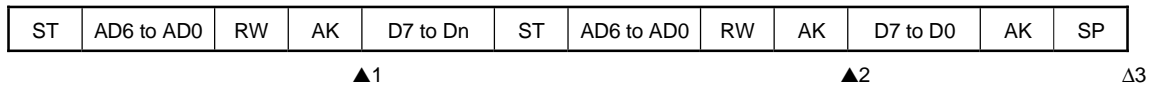
**Remarks 1.** ▲: Always generated

Δ: Generated only when SPIEn bit = 1

X: don't care

**2.** Dn = D6 to D0

n = 0 to 2

**<2> Extension code**

▲1: IICSn register = 1000X110B

▲2: IICSn register = 0110X010B (Example: When ALDn bit is read during interrupt servicing)

IICcn.LRELn bit is set to 1 by software

Δ 3: IICSn register = 00000001B

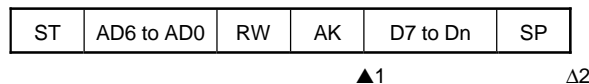
**Remarks 1.** ▲: Always generated

Δ: Generated only when SPIEn bit = 1

X: don't care

**2.** Dn = D6 to D0

n = 0 to 2

**(5) When arbitration loss occurs due to stop condition during data transfer**

▲1: IICSn register = 1000X110B

Δ 2: IICSn register = 01000001B

**Remarks 1.** ▲: Always generated

Δ: Generated only when SPIEn bit = 1

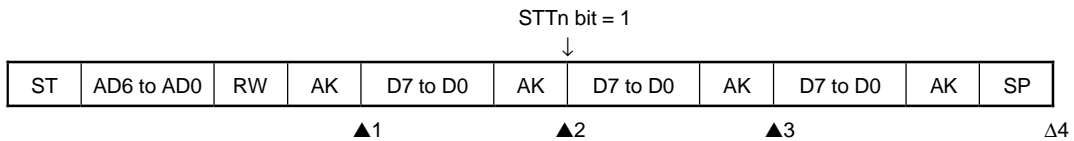
X: don't care

**2.** Dn = D6 to D0

n = 0 to 2

(6) When arbitration loss occurs due to low level of SDA<sub>n</sub> pin when attempting to generate a restart condition

When WTIM<sub>n</sub> bit = 1



▲1: IICSn register = 1000X110B

▲2: IICSn register = 1000XX00B

▲3: IICSn register = 01000100B (Example: When ALD<sub>n</sub> bit is read during interrupt servicing)

Δ 4: IICSn register = 00000001B

**Remarks 1.** ▲: Always generated

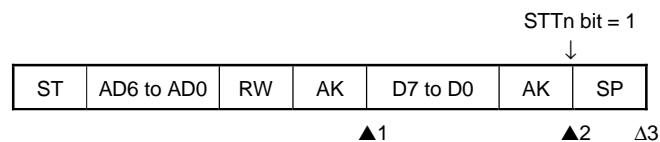
Δ: Generated only when SPIEn bit = 1

X: don't care

2. n = 0 to 2

(7) When arbitration loss occurs due to a stop condition when attempting to generate a restart condition

When WTIM<sub>n</sub> bit = 1



▲1: IICSn register = 1000X110B

▲2: IICSn register = 1000XX00B

Δ 3: IICSn register = 01000001B

**Remarks 1.** ▲: Always generated

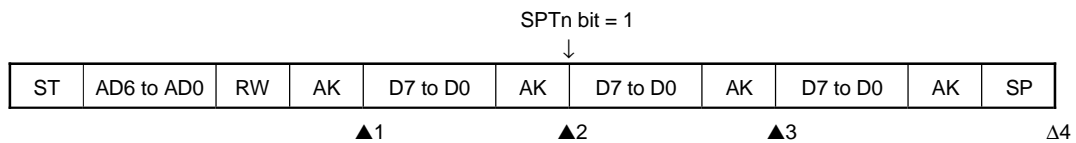
Δ: Generated only when SPIEn bit = 1

X: don't care

2. n = 0 to 2

(8) When arbitration loss occurs due to low level of SDA<sub>n</sub> pin when attempting to generate a stop condition

When WTIM<sub>n</sub> bit = 1



▲1: IICSn register = 1000X110B

▲2: IICSn register = 1000XX00B

▲3: IICSn register = 01000000B (Example: When ALD<sub>n</sub> bit is read during interrupt servicing)

Δ 4: IICSn register = 00000001B

**Remarks 1.** ▲: Always generated

Δ: Generated only when SPIEn bit = 1

X: don't care

2. n = 0 to 2

## 19.10 Interrupt Request Signal (INTIICn)

The setting of the IICn.WTIMn bit determines the timing by which the INTIICn register is generated and the corresponding wait control, as shown below.

Table 19-6 INTIICn generation timing and wait control

WTIMn Bit	During Slave Device Operation			During Master Device Operation		
	Address	Data Reception	Data Transmission	Address	Data Reception	Data Transmission
0	9 <sup>Notes 1, 2</sup>	8 <sup>Note 2</sup>	8 <sup>Note 2</sup>	9	8	8
1	9 <sup>Notes 1, 2</sup>	9 <sup>Note 2</sup>	9 <sup>Note 2</sup>	9	9	9

- Note**
- The slave device's INTIICn signal and wait period occur at the falling edge of the ninth clock only when there is a match with the address set to the SVAn register.  
At this point, the  $\overline{ACK}$  signal is output regardless of the value set to the IICn.ACKEn bit. For a slave device that has received an extension code, the INTIICn signal occurs at the falling edge of the eighth clock.  
When the address does not match after restart, the INTIICn signal is generated at the falling edge of the ninth clock, but no wait occurs.
  - If the received address does not match the contents of the SVAn register and an extension code is not received, neither the INTIICn signal nor a wait occurs.
  - The numbers in the table indicate the number of the serial clock's clock signals. Interrupt requests and wait control are both synchronized with the falling edge of these clock signals.

### (1) During address transmission/reception

- Slave device operation:  
Interrupt and wait timing are determined regardless of the WTIMn bit.
- Master device operation:  
Interrupt and wait timing occur at the falling edge of the ninth clock regardless of the WTIMn bit.

### (2) During data reception

- Master/slave device operation: Interrupt and wait timing is determined according to the WTIMn bit.

### (3) During data transmission

- Master/slave device operation: Interrupt and wait timing is determined according to the WTIMn bit.

**(4) Wait cancellation method**

The four wait cancellation methods are as follows.

- By setting the IICn.WRELn bit to 1
- By writing to the IICn register
- By start condition setting (IICn.STTn bit = 1)<sup>Note</sup>
- By stop condition setting (IICn.SPTn bit = 1)<sup>Note</sup>

**Note** Master only

When an 8-clock wait has been selected (WTIMn bit = 0), the output level of the  $\overline{ACK}$  signal must be determined prior to wait cancellation.

**(5) Stop condition detection**

The INTIICn signal is generated when a stop condition is detected.

## 19.11 Address Match Detection Method

In I<sup>2</sup>C bus mode, the master device can select a particular slave device by transmitting the corresponding slave address.

Address match detection is performed automatically by hardware. The INTIICn signal occurs when a local address has been set to the SVAn register and when the address set to the SVAn register matches the slave address sent by the master device, or when an extension code has been received.

## 19.12 Error Detection

In I<sup>2</sup>C bus mode, the status of the serial data bus pin (SDAn) during data transmission is captured by the IICn register of the transmitting device, so the data of the IICn register prior to transmission can be compared with the transmitted IICn data to enable detection of transmission errors. A transmission error is judged as having occurred when the compared data values do not match.

## 19.13 Extension Code

- When the higher 4 bits of the receive address are either 0000 or 1111, the extension code flag (IICSn.EXCn bit) is set for extension code reception and an interrupt request signal (INTIICn) is issued at the falling edge of the eighth clock.

The local address stored in the SVAn register is not affected.

- If 11110xx0 is set to the SVAn register by a 10-bit address transfer and 11110xx0 is transferred from the master device, the results are as follows. Note that the INTIICn signal occurs at the falling edge of the eighth clock
  - Higher four bits of data match: EXCn bit = 1
  - Seven bits of data match: IICSn.COIn bit = 1
- Since the processing after the interrupt request signal occurs differs according to the data that follows the extension code, such processing is performed by software.

For example, when operation as a slave is not desired after the extension code is received, set the IICn.LRELn bit to 1 and the CPU will enter the next communication wait state.

**Table 19-7 Extension code bit definitions**

Slave Address	R/W Bit	Description
0000 000	0	General call address
0000 000	1	Start byte
0000 001	X	CBUS address
0000 010	X	Address that is reserved for different bus format
1111 0xx	X	10-bit slave address specification

## 19.14 Arbitration

When several master devices simultaneously output a start condition (when the IICn.STTn bit is set to 1 before the IICn.STDn bit is set to 1), communication between the master devices is performed while the number of clocks is adjusted until the data differs. This kind of operation is called arbitration.

When one of the master devices loses in arbitration, an arbitration loss flag (IICn.ALDn bit) is set to 1 via the timing by which the arbitration loss occurred, and the SCLn and SDA<sub>n</sub> lines are both set to high impedance, which releases the bus.

Arbitration loss is detected based on the timing of the next interrupt request signal (the eighth or ninth clock, when a stop condition is detected, etc.) and the setting of the ALDn bit to 1, which is made by software.

For details of interrupt request timing, see “I<sup>2</sup>C Interrupt Request Signals (INTIICn)” on page 677.

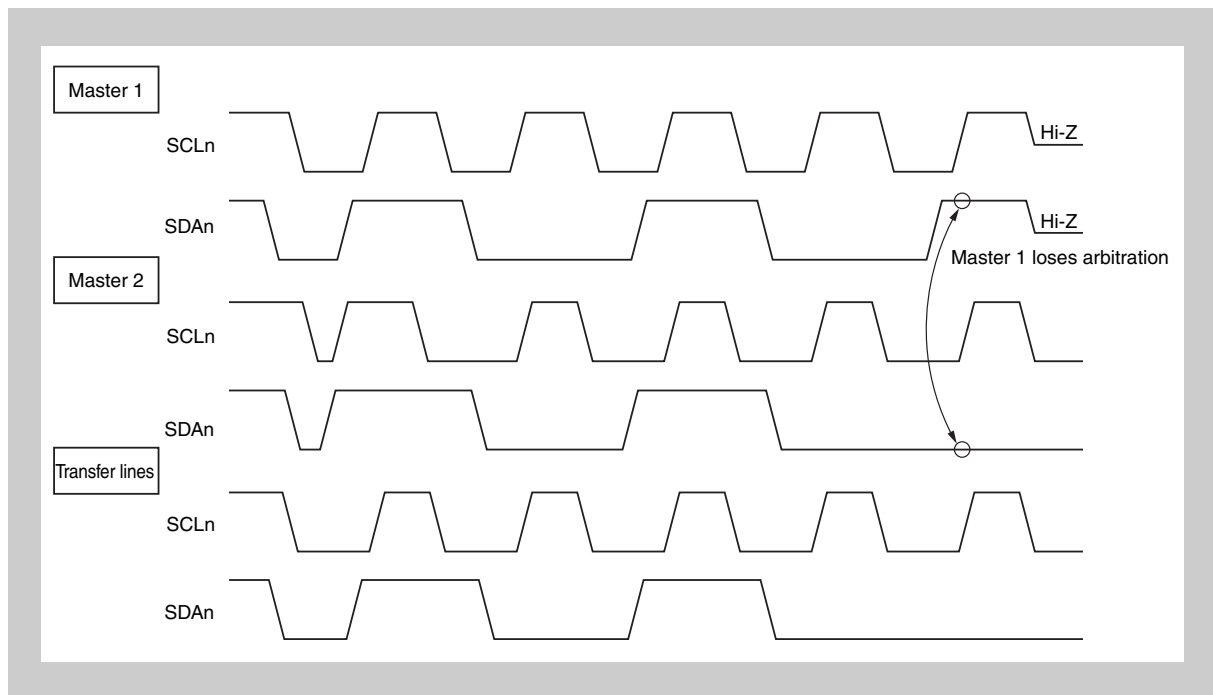


Figure 19-14 Arbitration timing example



Table 19-8 Status during arbitration and interrupt request signal generation timing

Status During Arbitration	Interrupt Request Generation Timing
Transmitting address transmission	At falling edge of eighth or ninth clock following byte transfer <sup>Note 1</sup>
Read/write data after address transmission	
Transmitting extension code	
Read/write data after extension code transmission	
Transmitting data	
ACK signal transfer period after data reception	
When restart condition is detected during data transfer	
When stop condition is detected during data transfer	When stop condition is output (when IICCn.SPIEn bit = 1) <sup>Note 2</sup>
When SDA <sub>n</sub> pin is low level while attempting to output restart condition	At falling edge of eighth or ninth clock following byte transfer <sup>Note 1</sup>
When stop condition is detected while attempting to output restart condition	When stop condition is output (when IICCn.SPIEn bit = 1) <sup>Note 2</sup>
When DSA0 <sub>n</sub> pin is low level while attempting to output stop condition	At falling edge of eighth or ninth clock following byte transfer <sup>Note 1</sup>
When SCL <sub>n</sub> pin is low level while attempting to output restart condition	

- Note**
1. When the IICCn.WTIMn bit = 1, an interrupt request signal occurs at the falling edge of the ninth clock. When the WTIMn bit = 0 and the extension code's slave address is received, an interrupt request signal occurs at the falling edge of the eighth clock.
  2. When there is a possibility that arbitration will occur, set the SPIEn bit to 1 for master device operation.

## 19.15 Wakeup Function

The I<sup>2</sup>C bus slave function is a function that generates an interrupt request signal (INTIICn) when a local address and extension code have been received.

This function makes processing more efficient by preventing unnecessary interrupt request signals from occurring when addresses do not match.

When a start condition is detected, wakeup stand-by mode is set. This wakeup stand-by mode is in effect while addresses are transmitted due to the possibility that an arbitration loss may change the master device (which has output a start condition) to a slave device.

However, when a stop condition is detected, the IICCn.SPIEn bit is set regardless of the wakeup function, and this determines whether interrupt request signals are enabled or disabled.

## 19.16 Communication Reservation

### 19.16.1 Communication reservation function is enabled (IICFn.IICRSVn bit = 0)

To start master device communications when not currently using the bus, a communication reservation can be made to enable transmission of a start condition when the bus is released.

There are two modes in which the bus is not used:

- when arbitration results in neither master nor slave operation
- when an extension code is received and slave operation is disabled (acknowledge is not returned and the bus was released when the IICFn.LRELn bit was set to 1).

If the IICFn.STTn bit is set to 1 while the bus is not used, a start condition is automatically generated and a wait status is set after the bus is released (after a stop condition is detected).

When the bus release is detected (when a stop condition is detected), writing to the IICFn register causes master address transfer to start. At this point, the IICFn.SPIEn bit should be set to 1.

When STTn has been set to 1, the operation mode (as start condition or as communication reservation) is determined according to the bus status.

- If the bus has been released:  
start condition is generated
- If the bus has not been released (standby mode):  
Communication reservation

To detect which operation mode has been determined for the STTn bit, set the STTn bit to 1, wait for the wait period, then check the IICFn.MSTS bit.

The wait periods, which should be set via software, are listed in *Table 19-9*. These wait periods can be set by the SMCn, CLn1, and CLn0 bits of the IICCLn register and the IICFn.CLXn bit.

Table 19-9 Wait periods with communication reservation function enabled

Prescaler		I <sup>2</sup> C module input clock	I <sup>2</sup> C module set-up				Transfer clock IICLKTC	Mode	Waiting time in IICLK cycles
OCKS	IICLKPS		IICNn. CLXn	IICCLn .SMCn	IICCLn .CLn1	IICCLn .CLn0			
18 <sub>H</sub>	IICLK	IICLKPS	0	0	0	0	IICLK/44	standard	26
10 <sub>H</sub>	IICLK/2		0	0	0	0	1/2 * IICLK/44		52
11 <sub>H</sub>	IICLK/3		0	0	0	0	1/3 * IICLK/44		78
12 <sub>H</sub>	IICLK/4		0	0	0	0	14 * IICLK/44		104
13 <sub>H</sub>	IICLK/5		0	0	0	0	1/5 * IICLK/44		130
18 <sub>H</sub>	IICLK	IICLKPS	0	0	0	1	IICLK/86	standard	47
10 <sub>H</sub>	IICLK/2		0	0	0	1	1/2 * IICLK/86		94
11 <sub>H</sub>	IICLK/3		0	0	0	1	1/3 * IICLK/86		141
12 <sub>H</sub>	IICLK/4		0	0	0	1	14 * IICLK/86		188
13 <sub>H</sub>	IICLK/5		0	0	0	1	1/5 * IICLK/86		235
X	X	IICLK	0	0	1	0	IICLK/86		47
18 <sub>H</sub>	IICLK	IICLKPS	0	0	1	1	IICLK/66	standard	38
10 <sub>H</sub>	IICLK/2		0	0	1	1	1/2 * IICLK/66		76
11 <sub>H</sub>	IICLK/3		0	0	1	1	1/3 * IICLK/66		114
12 <sub>H</sub>	IICLK/4		0	0	1	1	14 * IICLK/66		152
13 <sub>H</sub>	IICLK/5		0	0	1	1	1/5 * IICLK/66		190
18 <sub>H</sub>	IICLK	IICLKPS	0	1	0	X	IICLK/24	fast-speed	16
10 <sub>H</sub>	IICLK/2		0	1	0	X	1/2 * IICLK/24		32
11 <sub>H</sub>	IICLK/3		0	1	0	X	1/3 * IICLK/24		48
12 <sub>H</sub>	IICLK/4		0	1	0	X	14 * IICLK/24		64
13 <sub>H</sub>	IICLK/5		0	1	0	X	1/5 * IICLK/24		80
X	X	IICLK	0	1	1	0	IICLK/24		16
18 <sub>H</sub>	IICLK	IICLKPS	0	1	1	1	IICLK/18	fast-speed	13
10 <sub>H</sub>	IICLK/2		0	1	1	1	1/2 * IICLK/18		26
11 <sub>H</sub>	IICLK/3		0	1	1	1	1/3 * IICLK/18		39
12 <sub>H</sub>	IICLK/4		0	1	1	1	14 * IICLK/18		52
13 <sub>H</sub>	IICLK/5		0	1	1	1	1/5 * IICLK/18		65
18 <sub>H</sub>	IICLK	IICLKPS	1	1	0	X	IICLK/12	fast-speed	10
10 <sub>H</sub>	IICLK/2		1	1	0	X	1/2 * IICLK/12		20
11 <sub>H</sub>	IICLK/3		1	1	0	X	1/3 * IICLK/12		30
12 <sub>H</sub>	IICLK/4		1	1	0	X	14 * IICLK/12		40
13 <sub>H</sub>	IICLK/5		1	1	0	X	1/5 * IICLK/12		50
X	X	IICLK	1	1	1	0	IICLK/12		10

The communication reservation timing is shown below.

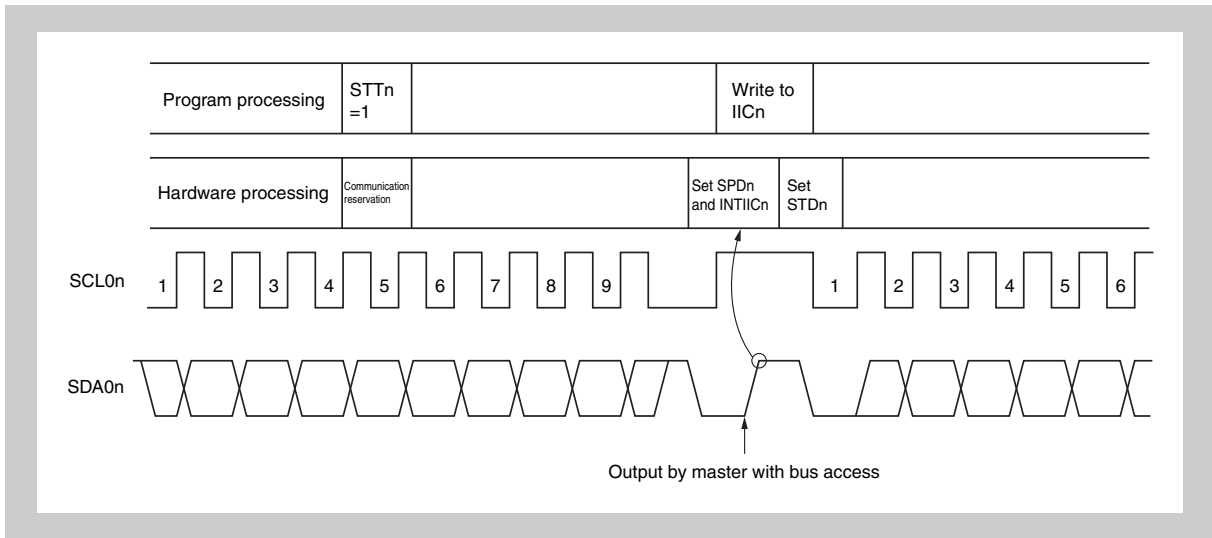


Figure 19-15 Communication reservation timing

Communication reservations are accepted via the following timing. After the IICSn.STDn bit is set to 1, a communication reservation can be made by setting the IICCN.STTn bit to 1 before a stop condition is detected.

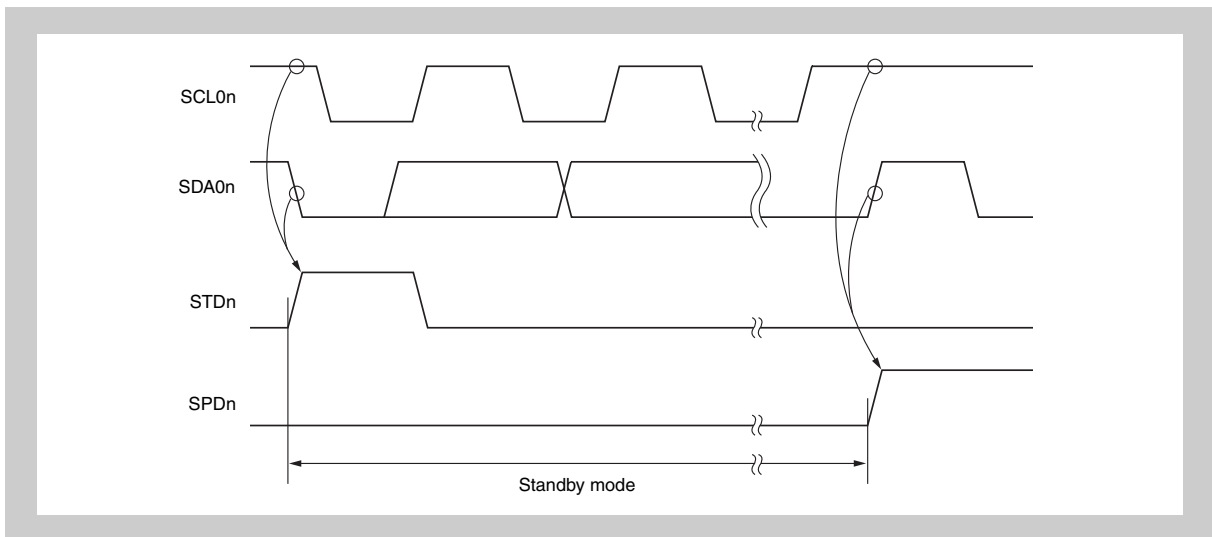


Figure 19-16 Timing for accepting communication reservations

The communication reservation flowchart is illustrated below.

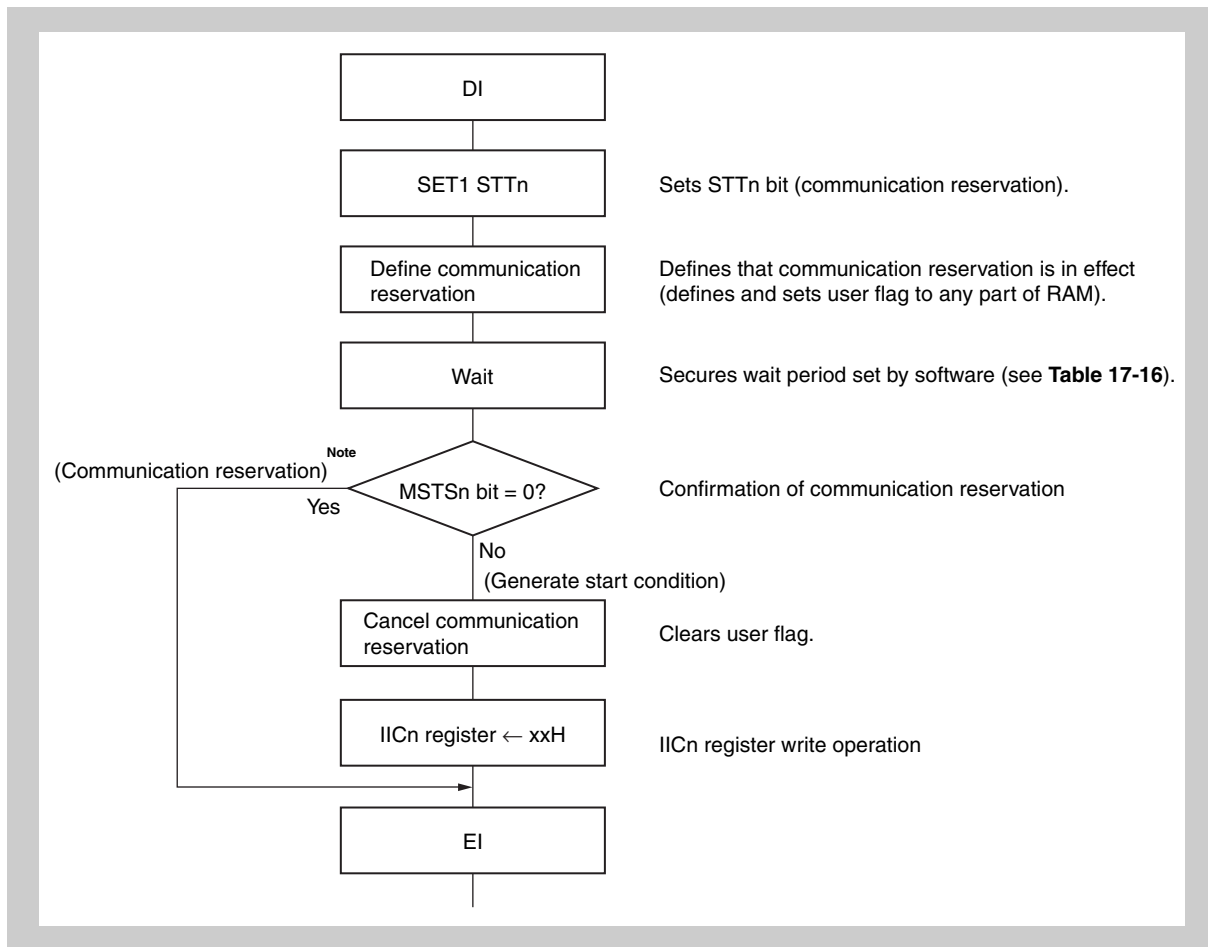


Figure 19-17 Communication reservation flowchart

**Note** The communication reservation operation executes a write to the IICn register when a stop condition interrupt request occurs.

### 19.16.2 Communication reservation function is disabled (IICFn.IICRSVn bit = 1)

When the IICn.STTn bit is set when the bus is not used in a communication during bus communication, this request is rejected and a start condition is not generated.

There are two modes in which the bus is not used:

- when arbitration results in neither master nor slave operation
- when an extension code is received and slave operation is disabled (acknowledge is not returned and the bus was released when the IICn.LRELn bit was set to 1)

To confirm whether the start condition was generated or request was rejected, check the IICFn.STCFn flag. The time shown in *Table 19-10* is required until the STCFn flag is set after setting the STTn bit to 1. Therefore, secure the time by software.

**Table 19-10 Wait periods with communication reservation function disabled**

Prescaler		I <sup>2</sup> C module input clock	I <sup>2</sup> C module set-up				Waiting time in IICLK cycles
OCKS	IICLKPS		IICNn. CLXn	IICCLn .SMCn	IICCLn .CLn1	IICCLn .CLn0	
18 <sub>H</sub>	IICLK	IICLKPS	X	X	0	X	5
10 <sub>H</sub>	IICLK/2		X	X	0	X	10
11 <sub>H</sub>	IICLK/3		X	X	0	X	15
12 <sub>H</sub>	IICLK/4		X	X	0	X	20
13 <sub>H</sub>	IICLK/5		X	X	0	X	25
X	X	IICLK	X	X	1	0	5

## 19.17 Cautions

- (1) When IICFn.STCENn bit = 0  
Immediately after the I<sup>2</sup>C0n operation is enabled, the bus communication status (IICFn.IICBSYn bit = 1) is recognized regardless of the actual bus status. To execute master communication in the status where a stop condition has not been detected, generate a stop condition and then release the bus before starting the master communication.  
  
Use the following sequence for generating a stop condition.  
<1> Set the IICCLn register.  
<2> Set the IICCN.IICEn bit.  
<3> Set the IICCN.SPTn bit.
- (2) When IICFn.STCENn bit = 1  
Immediately after I<sup>2</sup>C0n operation is enabled, the bus released status (IICBSYn bit = 0) is recognized regardless of the actual bus status. To issue the first start condition (IICCN.STTn bit = 1), it is necessary to confirm that the bus has been released, so as to not disturb other communications.
- (3) When the IICCN.IICEn bit is set to 1 while communications with other devices are in progress, the start condition may be detected depending on the status of the communication line. Be sure to set the IICCN.IICEn bit to 1 when the SCL0n and SDA0n lines are high level.
- (4) Determine the operation clock frequency by the IICCLn, IICXn, and OCKSm registers before enabling the operation (IICCN.IICEn bit = 1). To change the operation clock frequency, clear the IICCN.IICEn bit to 0 once.
- (5) After the IICCN.STTn and IICCN.SPTn bits have been set to 1, they must not be reset without being cleared to 0 first.
- (6) If transmission has been reserved, set the IICCN.SPIEn bit to 1 so that an interrupt request is generated by the detection of a stop condition. After an interrupt request has been generated, the wait status will be released by writing communication data to I2Cn, then transferring will begin. If an interrupt is not generated by the detection of a stop condition, transmission will halt in the wait status because an interrupt request was not generated.  
  
However, it is not necessary to set the SPIEn bit to 1 for the software to detect the IICSn.MSTS bit.

## 19.18 Communication Operations

### 19.18.1 Master operation with communication reservation

The following shows the flowchart for master communication when the communication reservation function is enabled (IICFn.IICRSVn bit = 0) and the master operation is started after a stop condition is detected (IICFn.STCENn bit = 0).

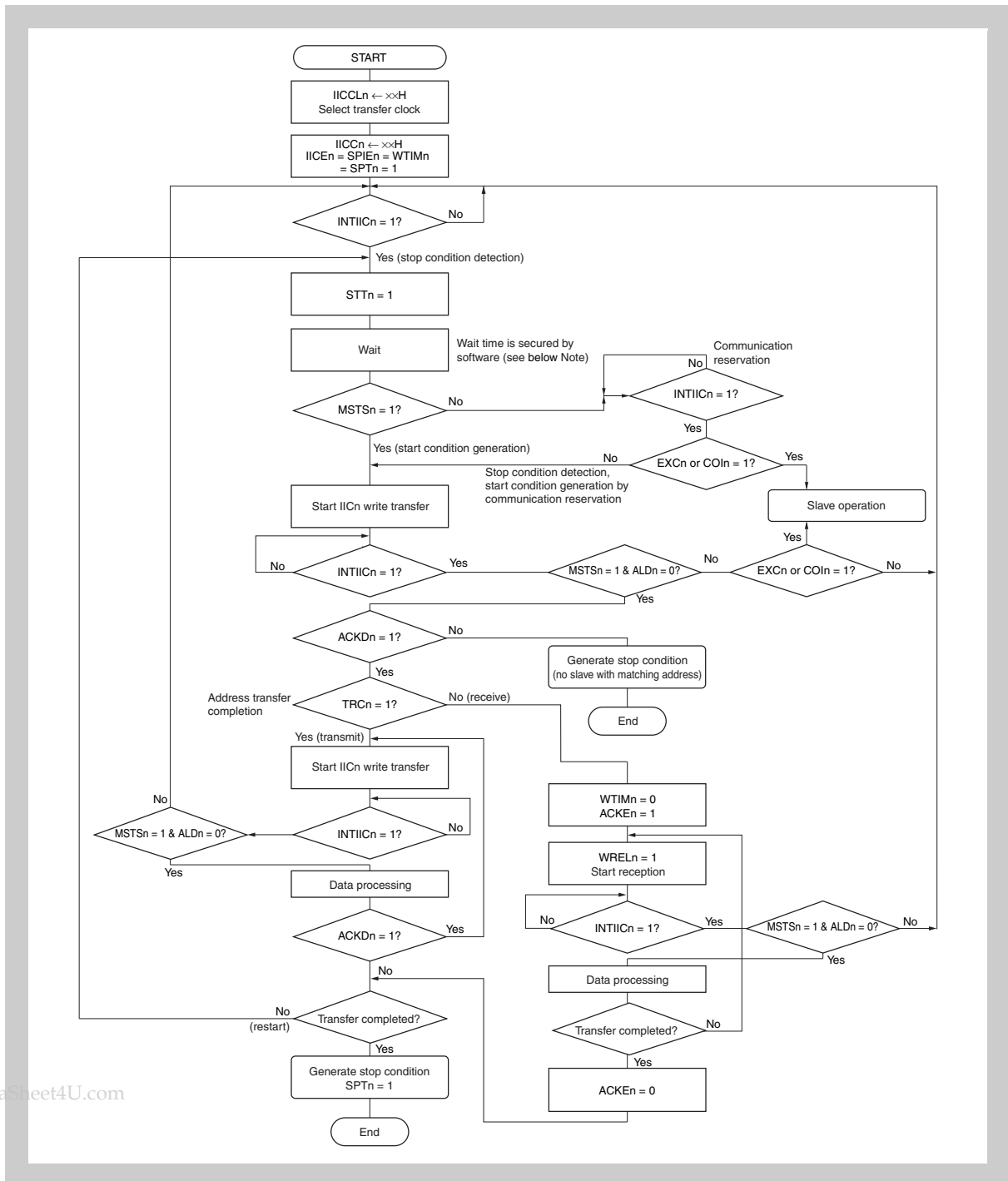


Figure 19-18 Master operation flowchart with communication reservation

Note Refer to Table 19-9 on page 701.



19.18.2 Master operation without communication reservation

The following shows the flowchart for master communication when the communication reservation function is disabled (IICRSVn bit = 1) and the master operation is started without detecting a stop condition (STCENn bit = 1).

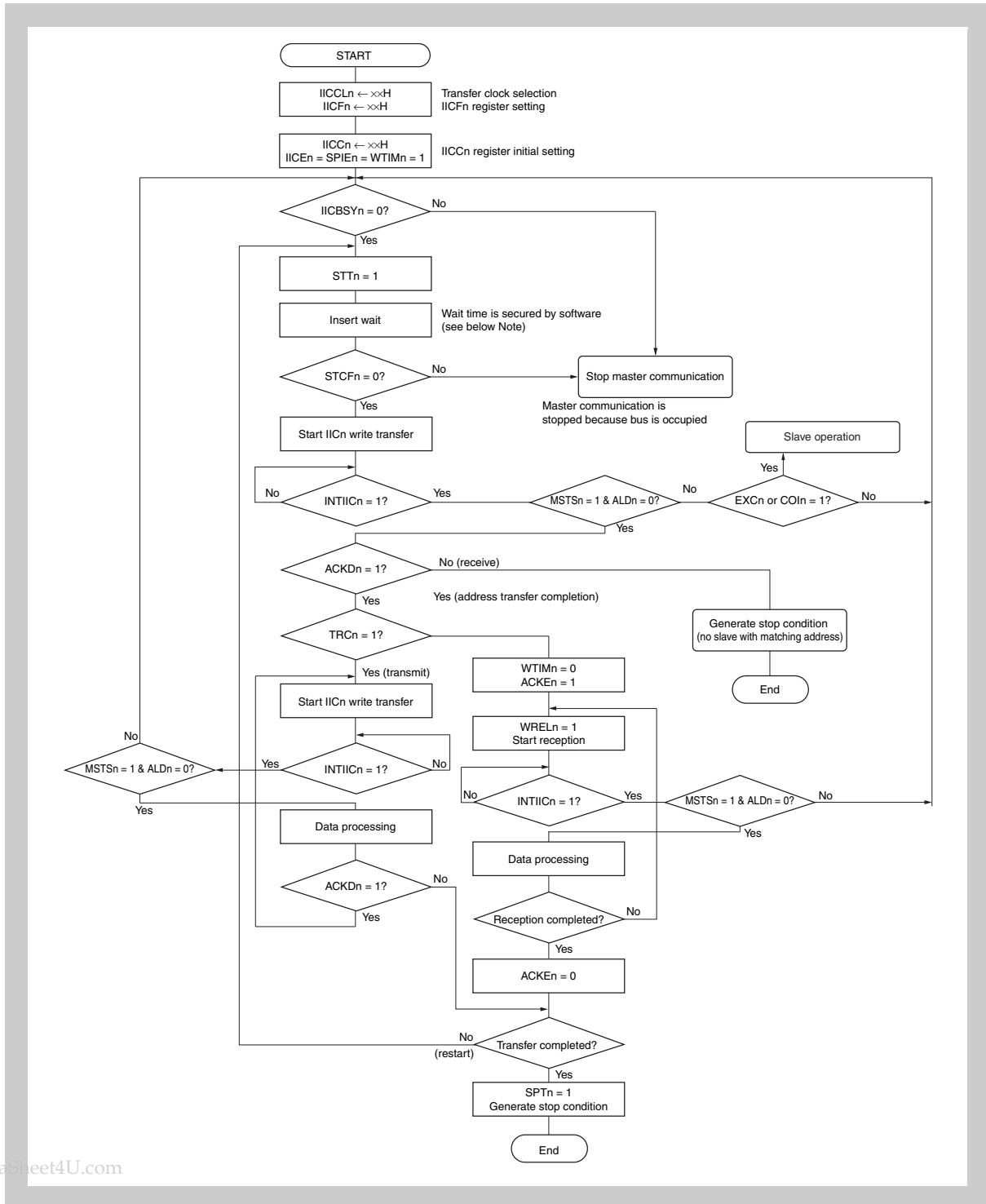


Figure 19-19 Master operation flowchart without communication reservation

Note Refer to Table 19-10 on page 704.

### 19.18.3 Slave operation

The following shows the processing procedure of the slave operation.

Basically, the operation of the slave device is event-driven. Therefore, processing by an INTIICn interrupt (processing requiring a significant change of the operation status, such as stop condition detection during communication) is necessary.

The following description assumes that data communication does not support extension codes. Also, it is assumed that the INTIICn interrupt servicing performs only status change processing and that the actual data communication is performed during the main processing.

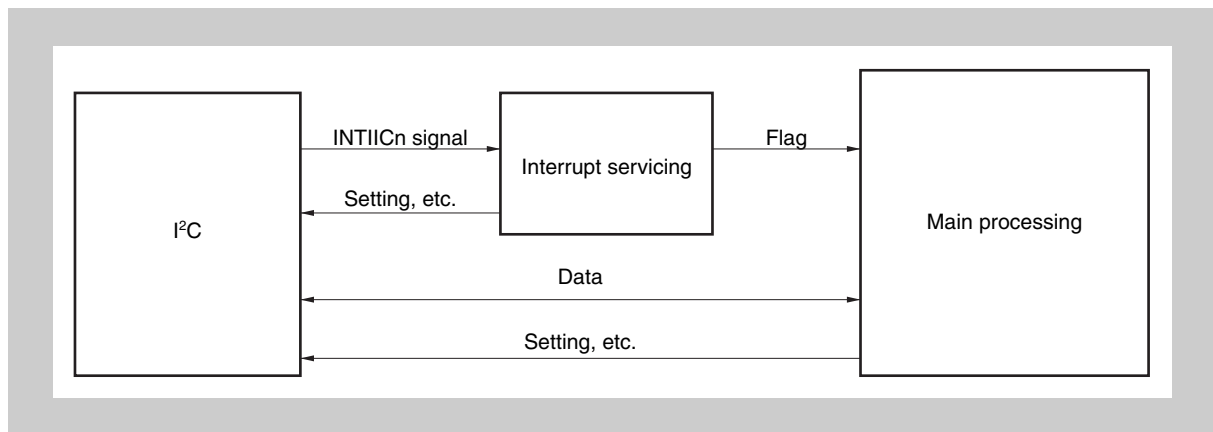


Figure 19-20 Software outline during slave operation

Therefore, the following three flags are prepared so that the data transfer processing can be performed by transmitting these flags to the main processing instead of INTIICn signal.

#### (1) Communication mode flag

This flag indicates the following communication statuses.

- Clear mode:  
Data communication not in progress
- Communication mode  
Data communication in progress (valid address detection stop condition detection,  $\overline{ACK}$  signal from master not detected, address mismatch)

#### (2) Ready flag

This flag indicates that data communication is enabled. This is the same status as an INTIICn interrupt during normal data transfer. This flag is set in the interrupt processing block and cleared in the main processing block. The ready flag for the first data for transmission is not set in the interrupt processing block, so the first data is transmitted without clear processing (the address match is regarded as a request for the next data).

**(3) Communication direction flag**

This flag indicates the direction of communication and is the same as the value of IICSn.TRCn bit.

The following shows the operation of the main processing block during slave operation.

Start I<sup>2</sup>C0n and wait for the communication enabled status. When communication is enabled, perform transfer using the communication mode flag and ready flag (the processing of the stop condition and start condition is performed by interrupts, conditions are confirmed by flags).

For transmission, repeat the transmission operation until the master device stops returning  $\overline{\text{ACK}}$  signal. When the master device stops returning  $\overline{\text{ACK}}$  signal, transfer is complete.

For reception, receive the required number of data and do not return  $\overline{\text{ACK}}$  signal for the next data immediately after transfer is complete. After that, the master device generates the stop condition or restart condition. This causes exit from communications.

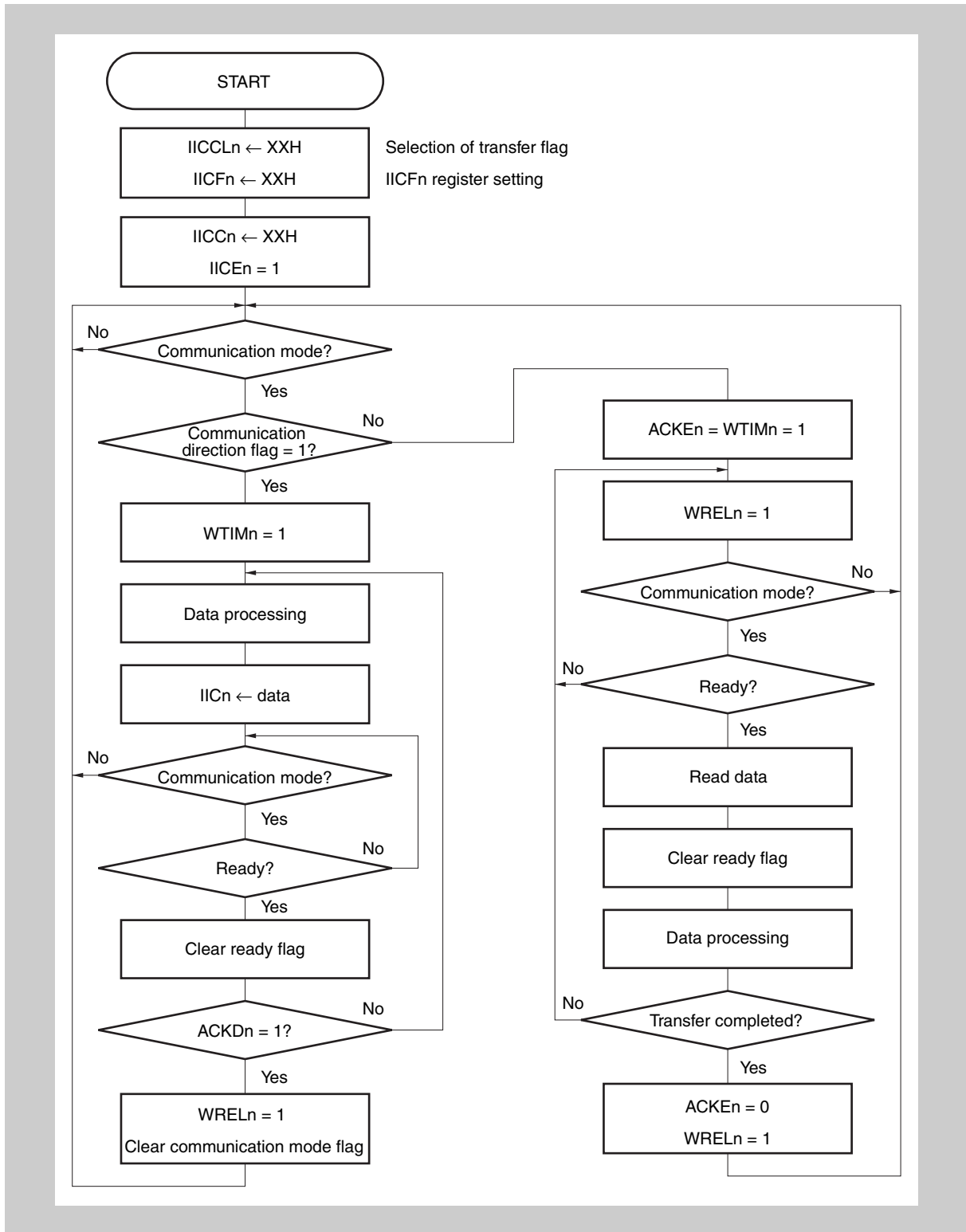


Figure 19-21 Slave operation flowchart (1)

The following shows an example of the processing of the slave device by an INTIICn interrupt (it is assumed that no extension codes are used here).

During an INTIICn interrupt, the status is confirmed and the following steps are executed.

- <1> When a stop condition is detected, communication is terminated.
- <2> When a start condition is detected, the address is confirmed. If the address does not match, communication is terminated. If the address matches, the communication mode is set and wait is released, and operation returns from the interrupt (the ready flag is cleared).
- <3> For data transmission/reception, when the ready flag is set, operation returns from the interrupt while the IICOn bus remains in the wait status.

**Note** <1> to <3> in the above correspond to <1> to <3> in *Figure 19-22*.

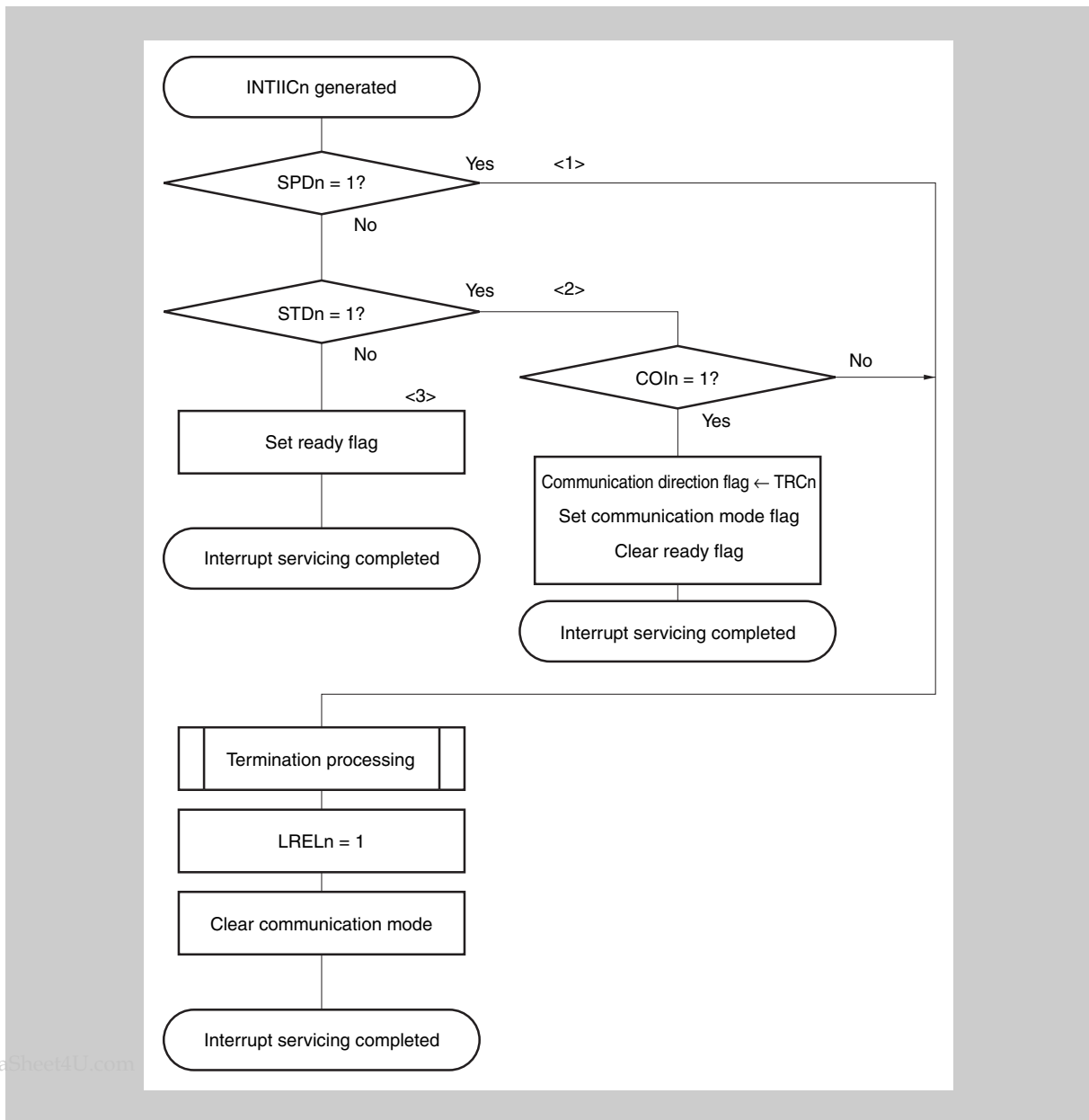


Figure 19-22 Slave operation flowchart (2)

## 19.19 Timing of Data Communication

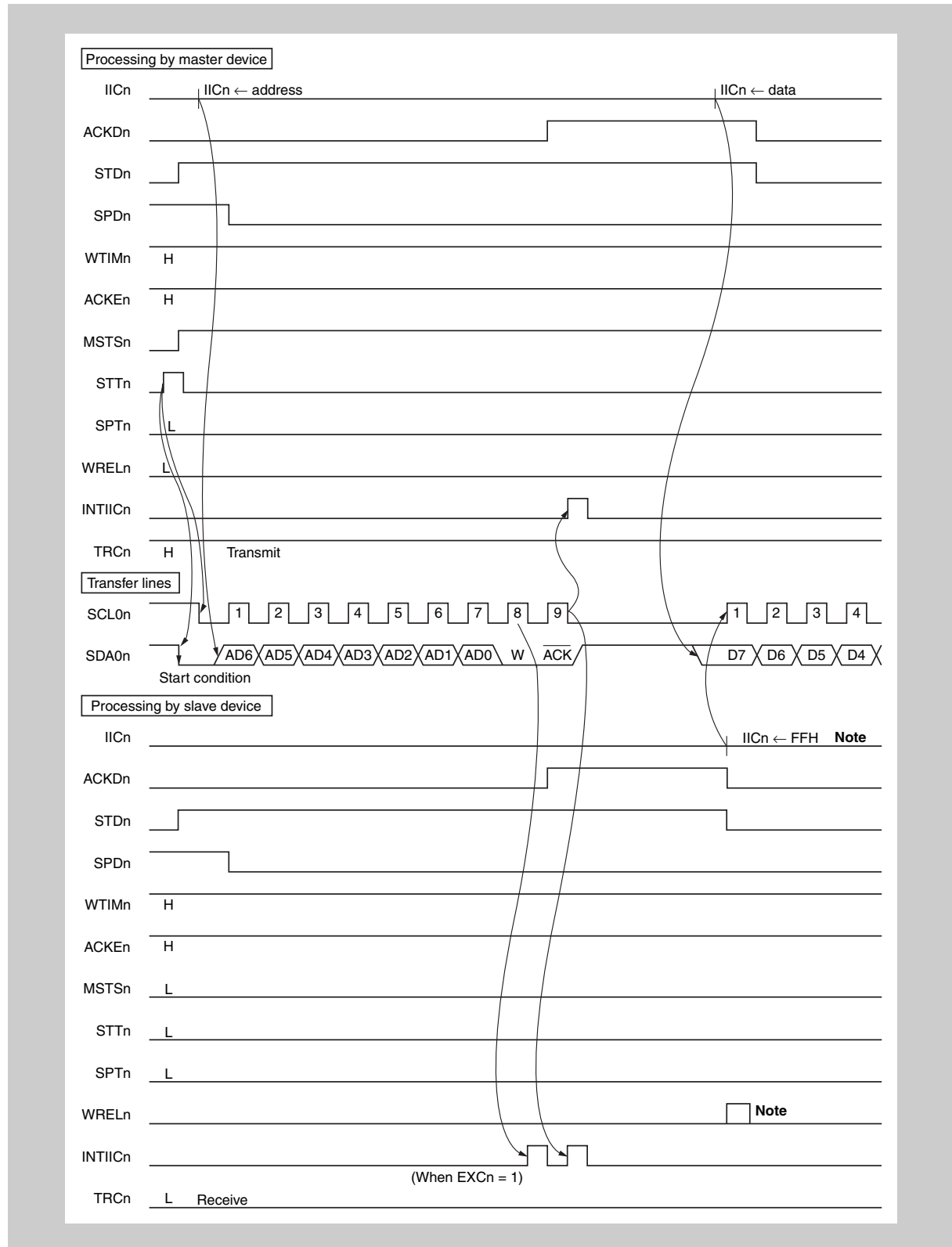
When using I<sup>2</sup>C bus mode, the master device outputs an address via the serial bus to select one of several slave devices as its communication partner.

After outputting the slave address, the master device transmits the IICSn.TRCn bit, which specifies the data transfer direction, and then starts serial communication with the slave device.

The shift operation of the IICn register is synchronized with the falling edge of the serial clock pin (SCLn). The transmit data is transferred to the SO latch and is output (MSB first) via the SDAn pin.

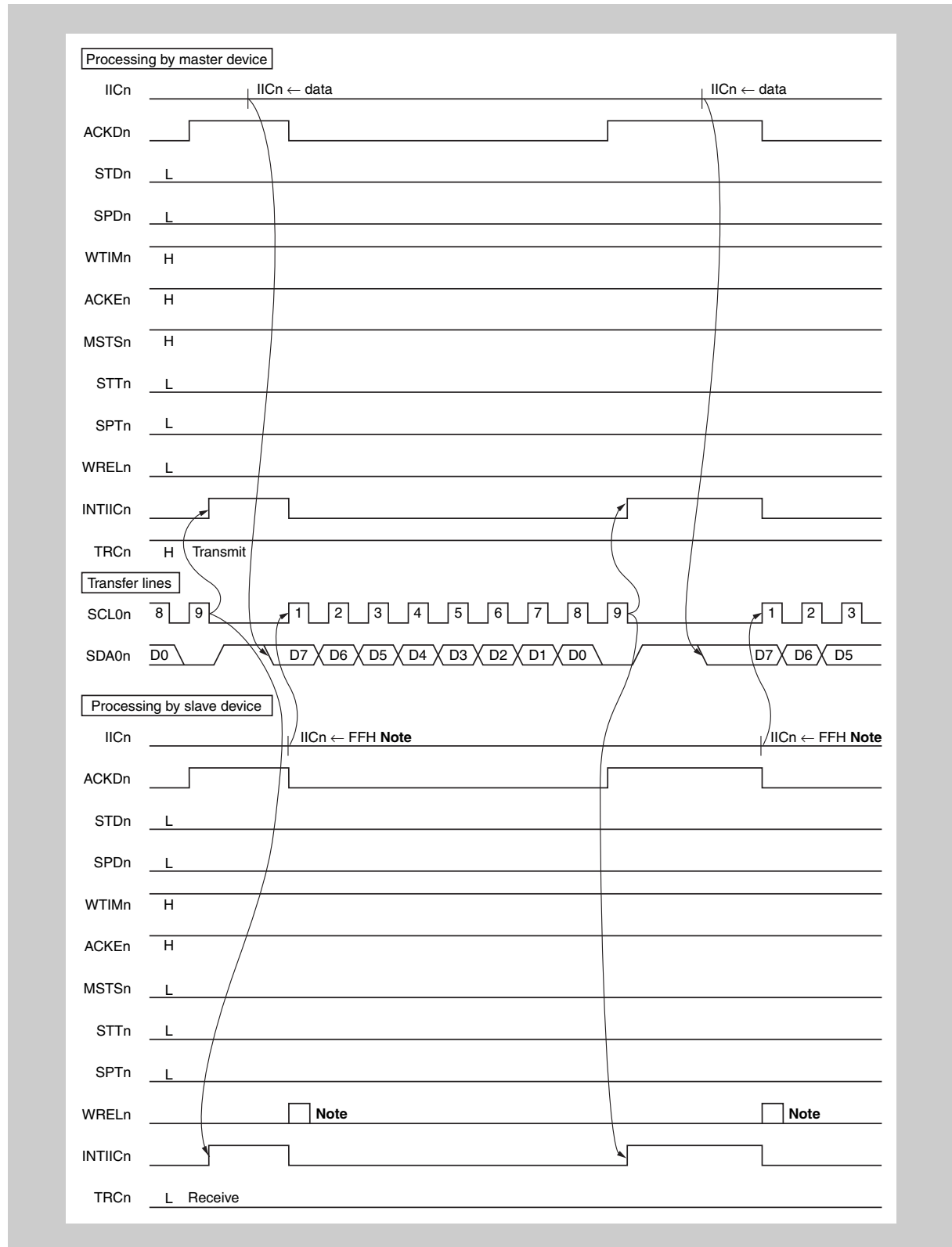
Data input via the SDAn pin is captured by the IICn register at the rising edge of the SCLn pin.

The data communication timing is shown below.



**Figure 19-23** Example of master to slave communication (when 9-clock wait is selected for both master and slave) (1/3) start condition ~ address

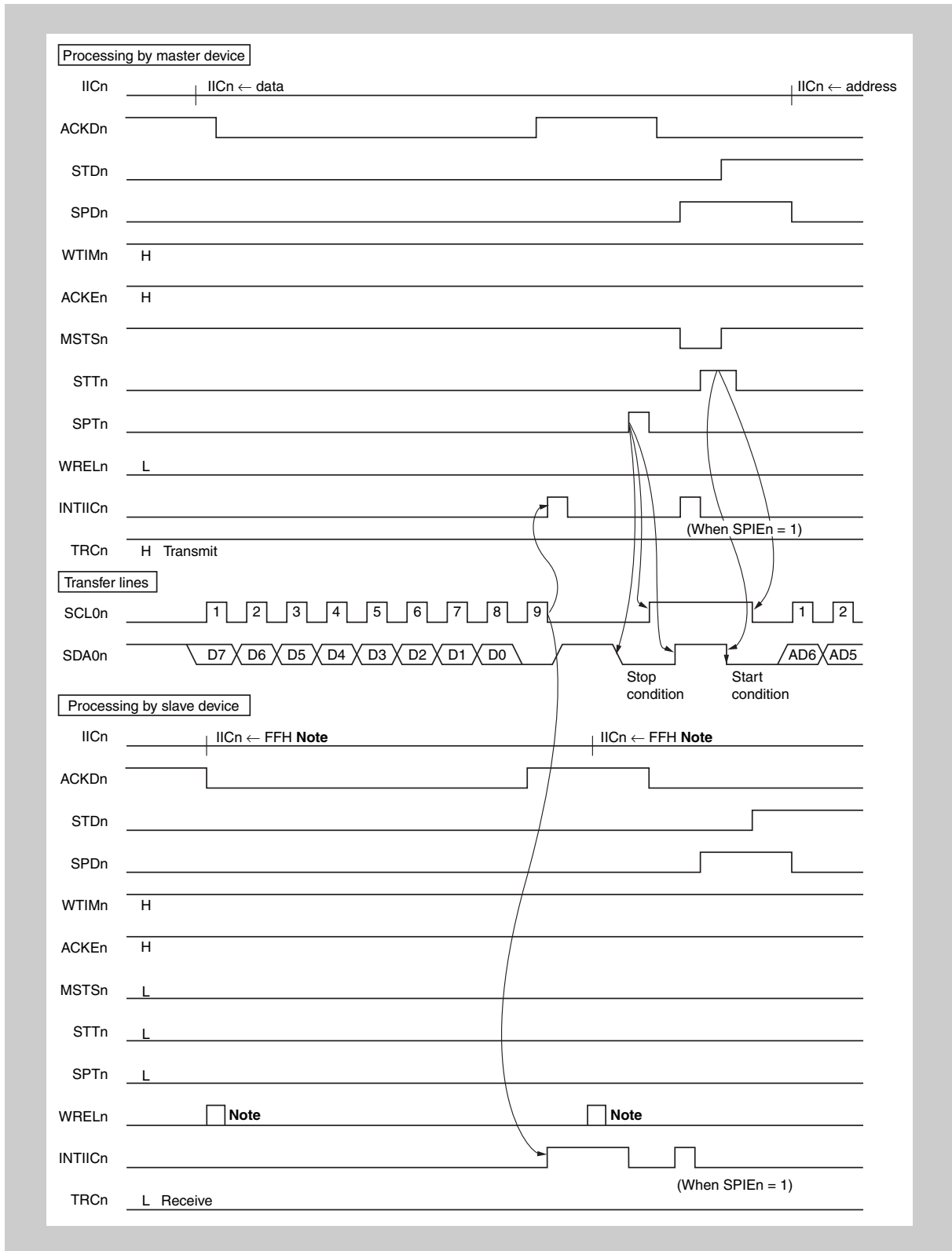
**Note** To cancel slave wait, write FFH to IICn or set WRELn.



**Figure 19-24** Example of master to slave communication (when 9-clock wait is selected for both master and slave) (2/3) (b) data

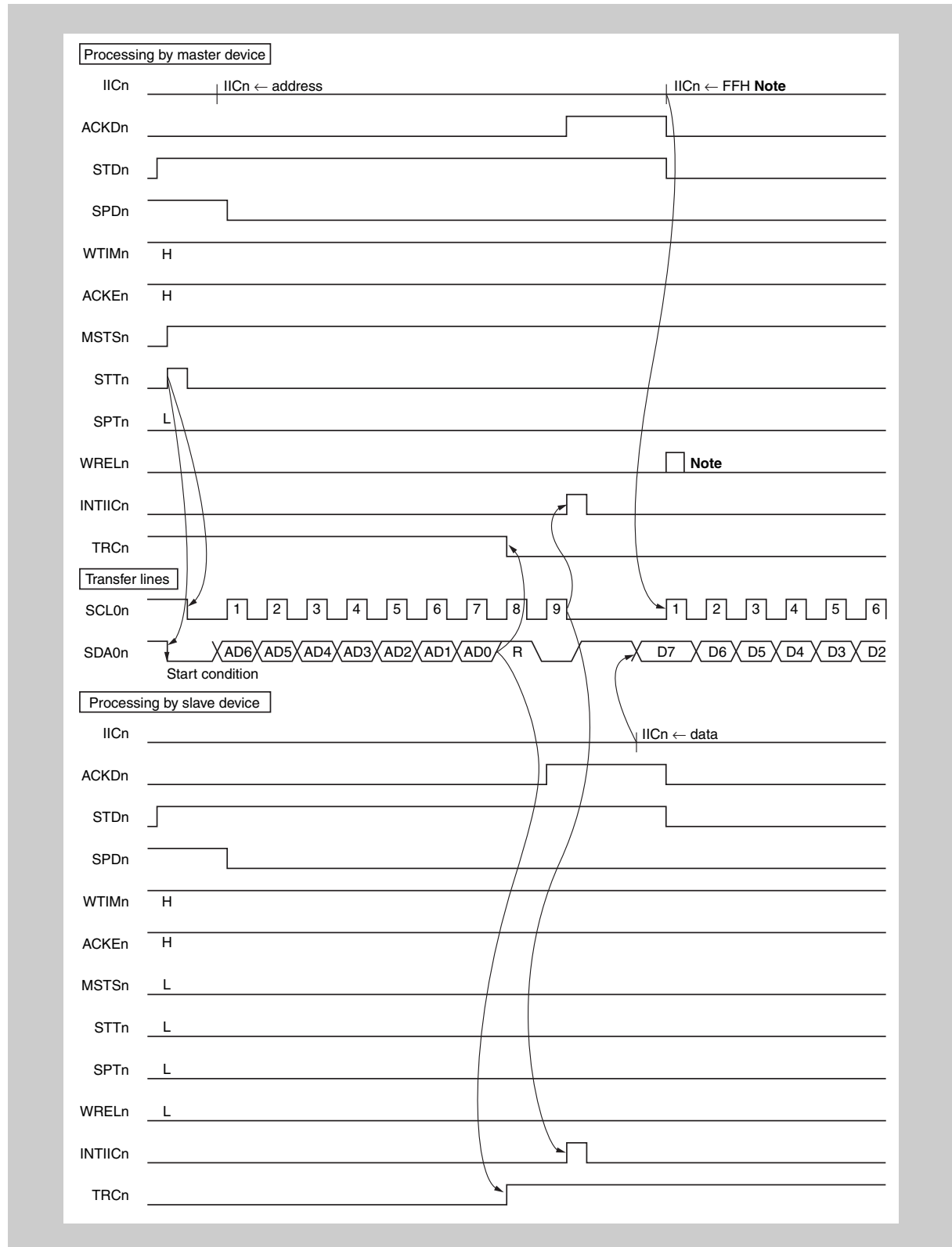
**Note** To cancel slave wait, write FFH to IICn or set WRELn.





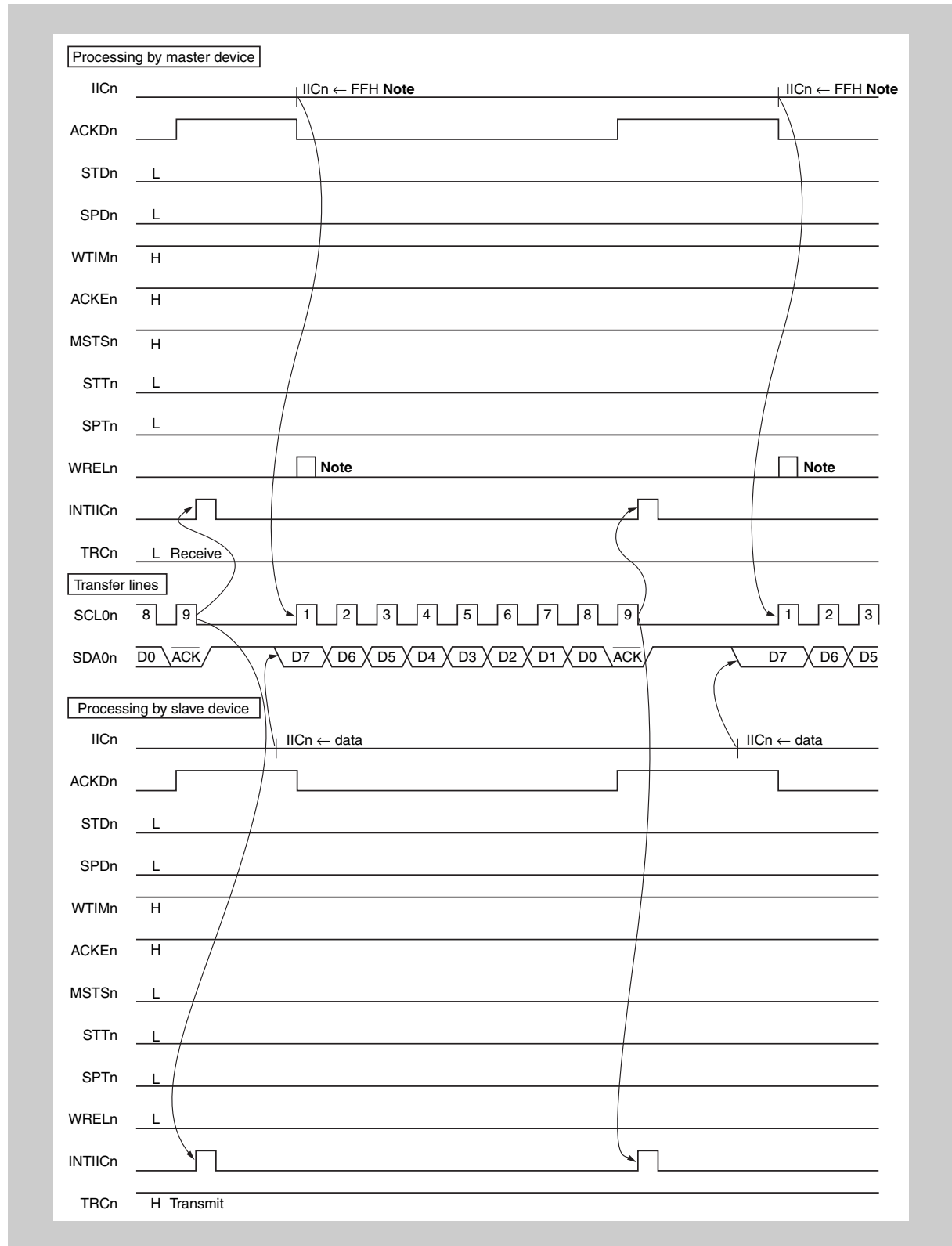
**Figure 19-25** Example of master to slave communication (when 9-clock wait is selected for both master and slave) (3/3) (c) stop condition

**Note** To cancel slave wait, write FFH to IICn or set WRELn.



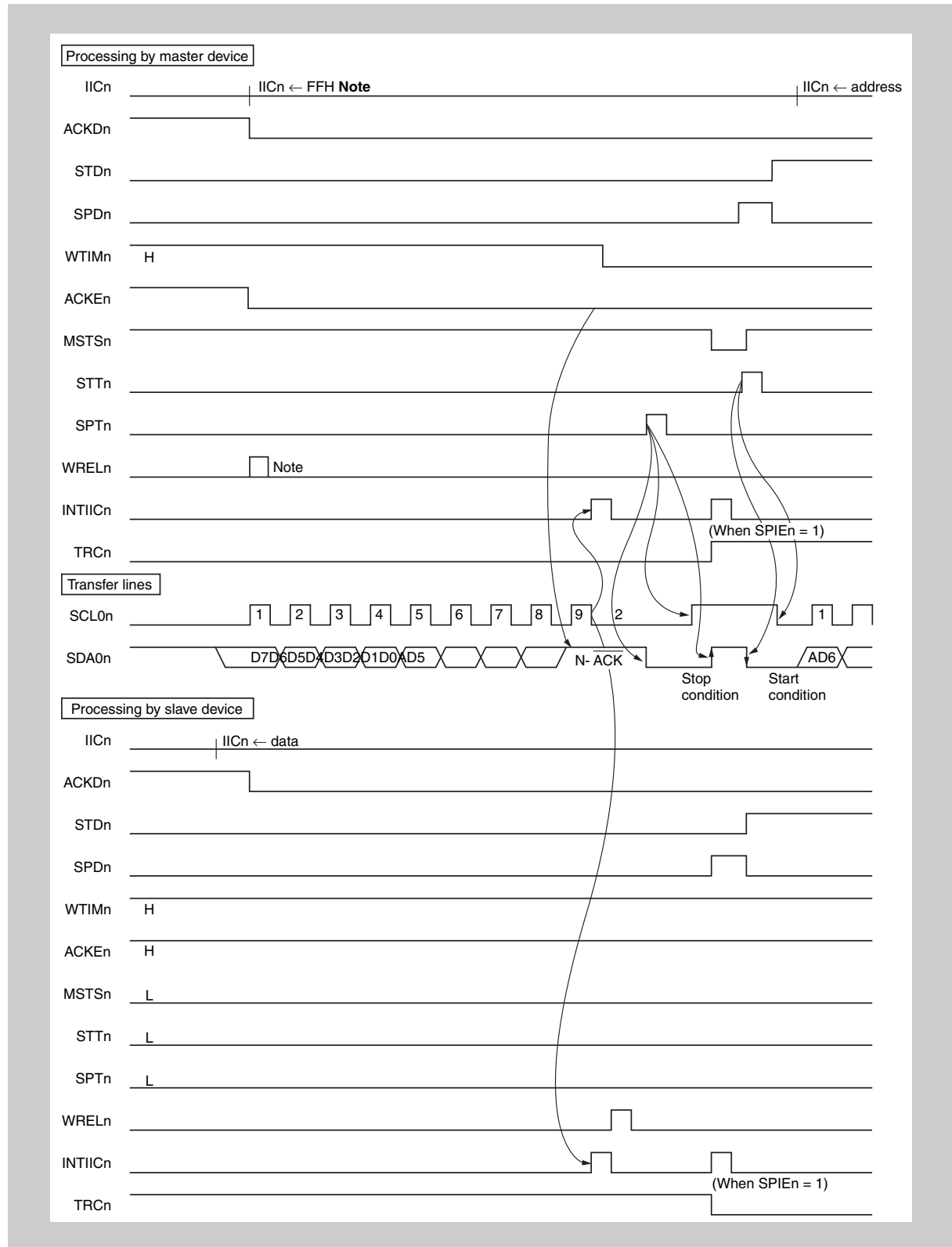
**Figure 19-26 Example of slave to master communication (when 9-clock wait is selected for both master and slave) (1/3) (a) start condition ~ address**

**Note** To cancel master wait, write FFH to IICn or set WRELn.



**Figure 19-27** Example of slave to master communication (when 9-clock wait is selected for both master and slave) (2/3) (b) data

**Note** To cancel master wait, write FFH to IICn or set WRELn.



**Figure 19-28 Example of slave to master communication (when 9-clock wait is selected for both master and slave) (3/3) (c) stop condition**

**Note** To cancel master wait, write FFH to IICn or set WRELn.

## Chapter 20 CAN Controller (CAN)

These microcontrollers feature an on-chip n-channel CAN (Controller Area Network) controller that complies with the CAN protocol as standardized in ISO 11898.

The V850E/Dx3 microcontrollers have following number of channels of the CAN controller:

CAN	$\mu$ PD70F3427, $\mu$ PD70F3425, $\mu$ PD70F3424, $\mu$ PD70F3423, $\mu$ PD70F3422, $\mu$ PD70F3421	$\mu$ PD70F3426A
Instances	3	2
Names	CAN0 to CAN2	CAN0 to CAN1

- Note**
1. Throughout this chapter, the individual CAN channels are identified by “n”, for example CANn, or CnGMCTRL for the CANn global control register.
  2. Throughout this chapter, the CAN message buffer registers are identified by “m” (m = 0 to 31), for example C0MDATA4m for CAN0 message data byte 4 of message buffer register m.
  3. It is recommended to configure the ports used for CAN data transmit CTXDn to its highest drive strength to Limit2 by PDSCn.PDSCnm = 1 for CAN baud rates above 200 Kbit/sec.

## 20.1 Features

- Compliant with ISO 11898 and tested according to ISO/DIS 16845 (CAN conformance test)
- Standard frame and extended frame transmission/reception enabled
- Transfer rate: 1 Mbps max. (if CAN clock input  $\geq$  8 MHz, for 32 channels)
- 32 message buffers per channel
- Receive/transmit history list function
- Automatic block transmission function
- Multi-buffer receive block function
- Mask setting of four patterns is possible for each channel
- Wake-Up capability on CAN receive data pins CRXDn
- Data bit time, communication baud rate and sample point can be controlled by CAN module bit-rate prescaler register (CnBRP) and bit rate register (CnBTR)
  - As an example the following sample-point configurations can be configured:
  - 66.7%, 70.0%, 75.0%, 80.0%, 81.3%, 85.0%, 87.5%
  - Baudrates in the range of 10 kbps up to 1000 kbps can be configured
- Enhanced features:
  - Each message buffer can be configured to operate as a transmit or a receive message buffer
  - Transmission priority is controlled by the identifier or by mailbox number (selectable)
  - A transmission request can be aborted by clearing the dedicated Transmit-Request flag of the concerned message buffer.
  - Automatic block transmission operation mode (ABT)
  - Time stamp function for CAN channels 0 and 1 in collaboration with timer Timer G0 and Timer G1 capture channels

### 20.1.1 Overview of functions

Table 20-1 presents an overview of the CAN Controller functions.

Table 20-1 Overview of functions

Function	Details
Protocol	CAN protocol ISO 11898 (standard and extended frame transmission/reception)
Baud rate	Maximum 1 Mbps (CAN clock input $\geq$ 8 MHz)
Data storage	Storing messages in the CAN RAM
Number of messages	<ul style="list-style-type: none"> <li>• 32 message buffers per channel</li> <li>• Each message buffer can be set to be either a transmit message buffer or a receive message buffer.</li> </ul>
Message reception	<ul style="list-style-type: none"> <li>• Unique ID can be set to each message buffer.</li> <li>• Mask setting of four patterns is possible for each channel.</li> <li>• A receive completion interrupt is generated each time a message is received and stored in a message buffer.</li> <li>• Two or more receive message buffers can be used as a FIFO receive buffer (multi-buffer receive block function).</li> <li>• Receive history list function</li> </ul>
Message transmission	<p><b>Unique ID can be set to each message buffer.</b></p> <ul style="list-style-type: none"> <li>• Transmit completion interrupt for each message buffer</li> <li>• Message buffer number 0 to 7 specified as the transmit message buffer can be set for automatic block transfer. Message transmission interval is programmable (automatic block transmission function (hereafter referred to as "ABT")).</li> <li>• Transmission history list function</li> </ul>
Remote frame processing	Remote frame processing by transmit message buffer
Time stamp function	<ul style="list-style-type: none"> <li>• The time stamp function can be set for a message reception when a 16-bit timer is used in combination.</li> <li>• Time stamp capture trigger can be selected (SOF or EOF in a CAN message frame can be detected.).</li> <li>• The time stamp function can be set for a transmit message.</li> </ul>
Diagnostic function	<ul style="list-style-type: none"> <li>• Readable error counters</li> <li>• "Valid protocol operation flag" for verification of bus connections</li> <li>• Receive-only mode</li> <li>• Single-shot mode</li> <li>• CAN protocol error type decoding</li> <li>• Self-test mode</li> </ul>
Release from bus-off state	<ul style="list-style-type: none"> <li>• Forced release from bus-off (by ignoring timing constraint) possible by software.</li> <li>• No automatic release from bus-off (software must re-enable).</li> </ul>
Power save mode	<ul style="list-style-type: none"> <li>• CAN Sleep mode (can be woken up by CAN bus)</li> <li>• CAN Stop mode (cannot be woken up by CAN bus)</li> </ul>

### 20.1.2 Configuration

The CAN Controller is composed of the following four blocks.

- NPB interface  
This functional block provides an NPB (NEC Peripheral I/O Bus) interface and means of transmitting and receiving signals between the CAN module and the host CPU.
- MAC (Memory Access Controller)  
This functional block controls access to the CAN protocol layer and to the CAN RAM within the CAN module.
- CAN protocol layer  
This functional block is involved in the operation of the CAN protocol and its related settings.
- CAN RAM  
This is the CAN memory functional block, which is used to store message IDs, message data, etc.

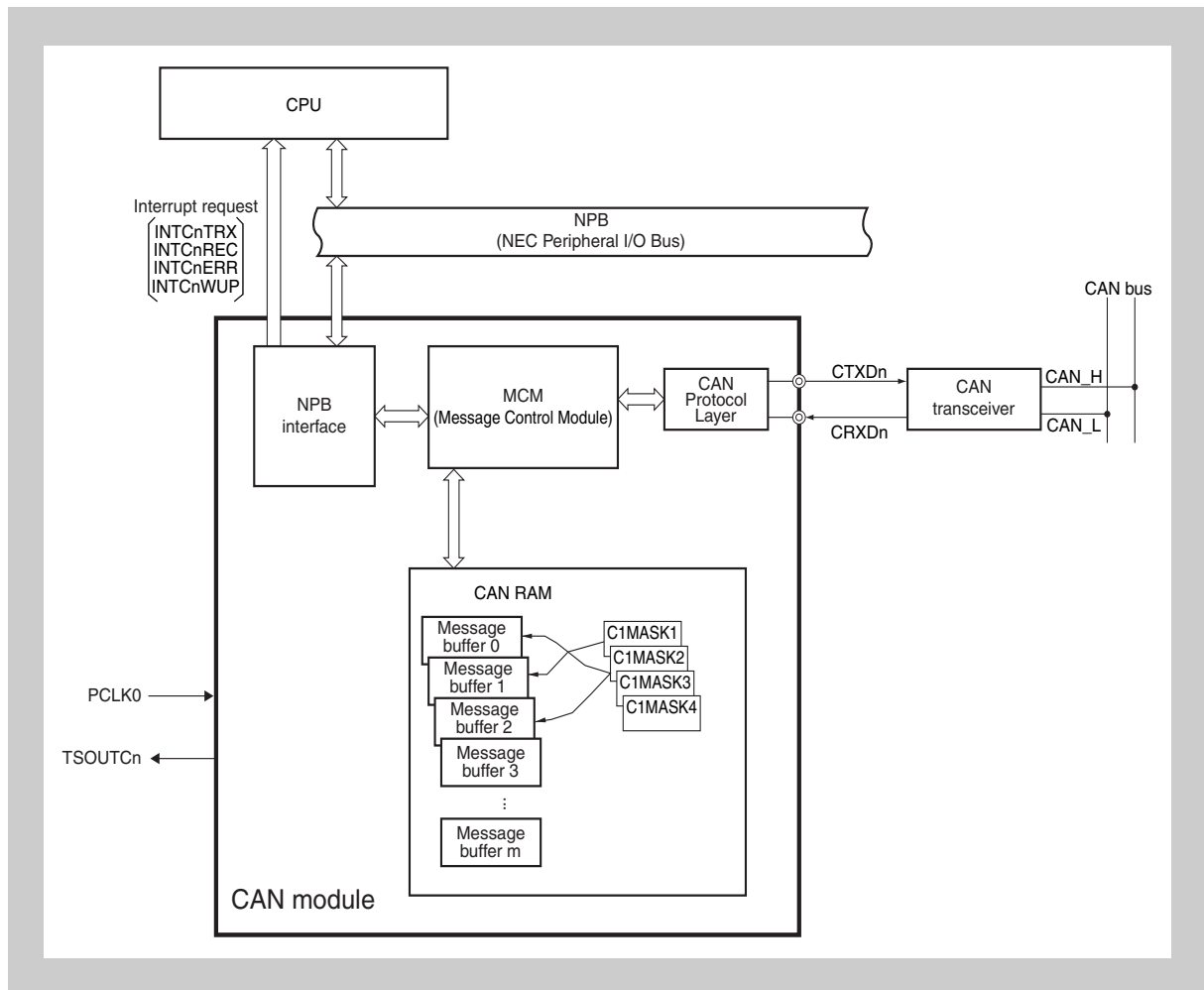


Figure 20-1 Block diagram of CAN module

www.DataSheet4U.com



## 20.2 CAN Protocol

CAN (Controller Area Network) is a high-speed multiplex communication protocol for real-time communication in automotive applications (class C). CAN is prescribed by ISO 11898. For details, refer to the ISO 11898 specifications.

The CAN specification is generally divided into two layers: a physical layer and a data link layer. In turn, the data link layer includes logical link and medium access control. The composition of these layers is illustrated below.

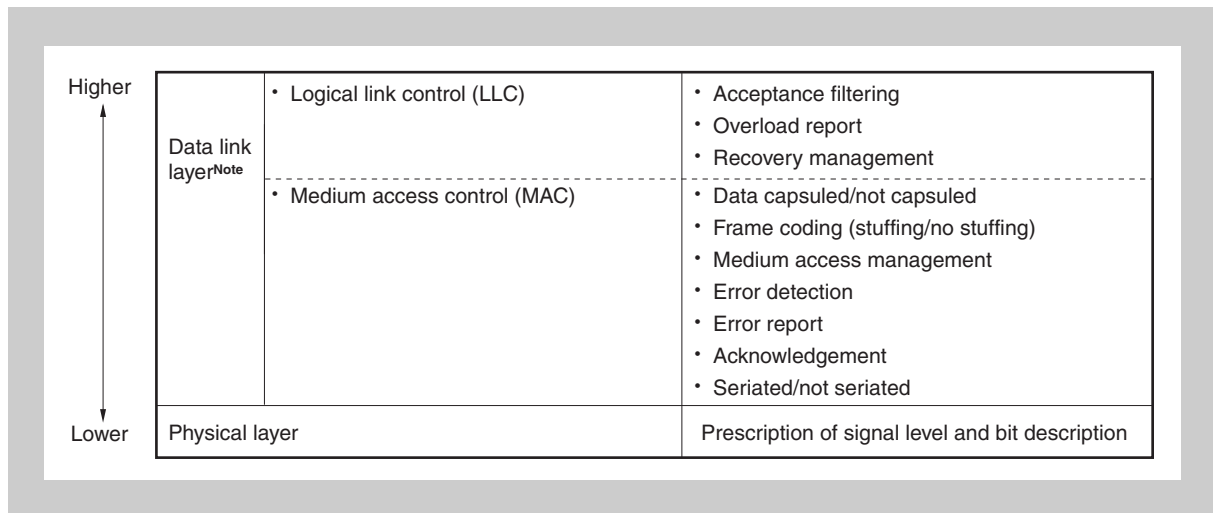


Figure 20-2 Composition of layers

**Note** CAN Controller specification

### 20.2.1 Frame format

#### (1) Standard format frame

- The standard format frame uses 11-bit identifiers, which means that it can handle up to 2,048 messages.

#### (2) Extended format frame

- The extended format frame uses 29-bit (11 bits + 18 bits) identifiers, which increases the number of messages that can be handled to  $2,048 \times 2^{18}$  messages.
- An extended format frame is set when “recessive level” (CMOS level of “1”) is set for both the SRR and IDE bits in the arbitration field.

### 20.2.2 Frame types

The following four types of frames are used in the CAN protocol.

Table 20-2 Frame types

Frame Type	Description
Data frame	Frame used to transmit data
Remote frame	Frame used to request a data frame
Error frame	Frame used to report error detection
Overload frame	Frame used to delay the next data frame or remote frame

#### (1) Bus value

The bus values are divided into dominant and recessive.

- Dominant level is indicated by logical 0.
- Recessive level is indicated by logical 1.
- When a dominant level and a recessive level are transmitted simultaneously, the bus value becomes dominant level.

### 20.2.3 Data frame and remote frame

#### (1) Data frame

A data frame is composed of seven fields.

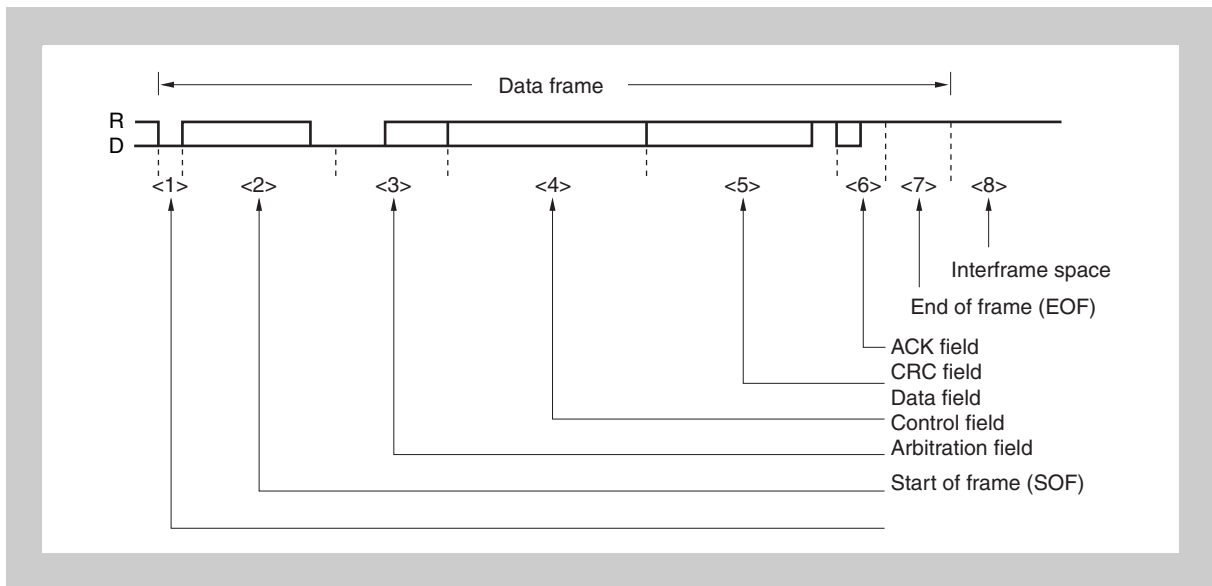
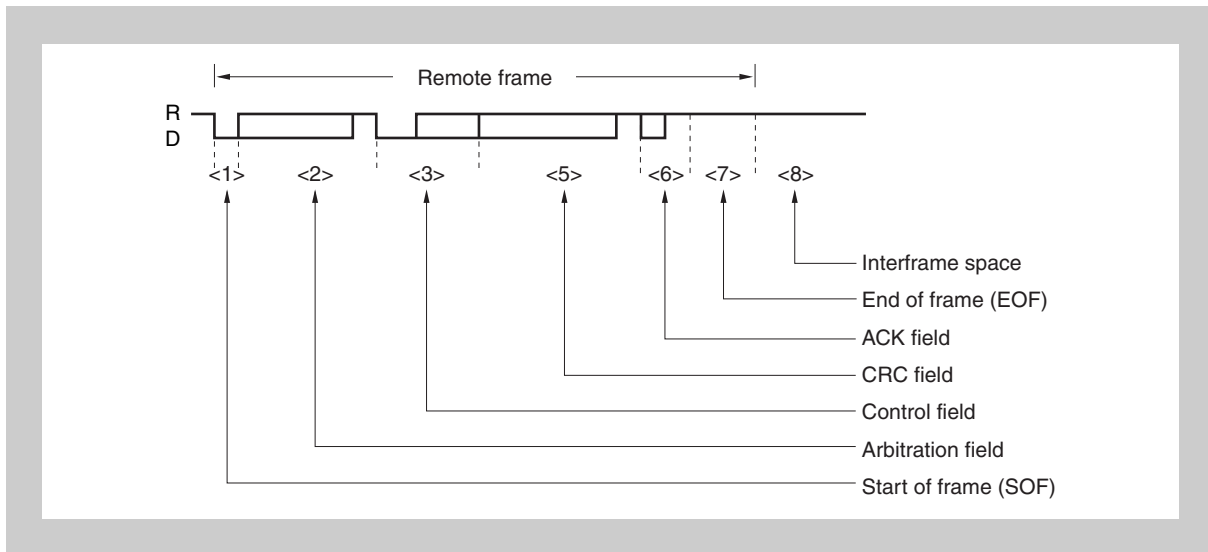


Figure 20-3 Data frame

**Note** D: Dominant = 0  
R: Recessive = 1

**(2) Remote frame**

A remote frame is composed of six fields.



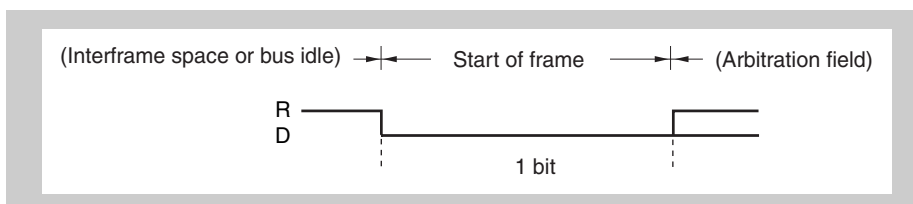
**Figure 20-4 Remote frame**

- Note**
1. The data field is not transferred even if the control field's data length code is not "0000<sub>B</sub>".
  2. D: Dominant = 0  
R: Recessive = 1

**(3) Description of fields**

**(a) Start of frame (SOF)**

The start of frame field is located at the start of a data frame or remote frame.



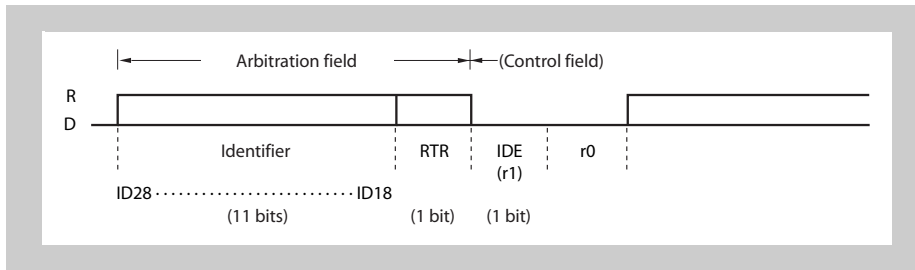
**Figure 20-5 Start of frame (SOF)**

- Note**
- D: Dominant = 0  
R: Recessive = 1

- If dominant level is detected in the bus idle state, a hard-synchronization is performed (the current TQ is assigned to be the SYNC segment).
- If dominant level is sampled at the sample point following such a hard-synchronization, the bit is assigned to be a SOF. If recessive level is detected, the protocol layer returns to the bus idle state and regards the preceding dominant pulse as a disturbance only. No error frame is generated in such case.

**(b) Arbitration field**

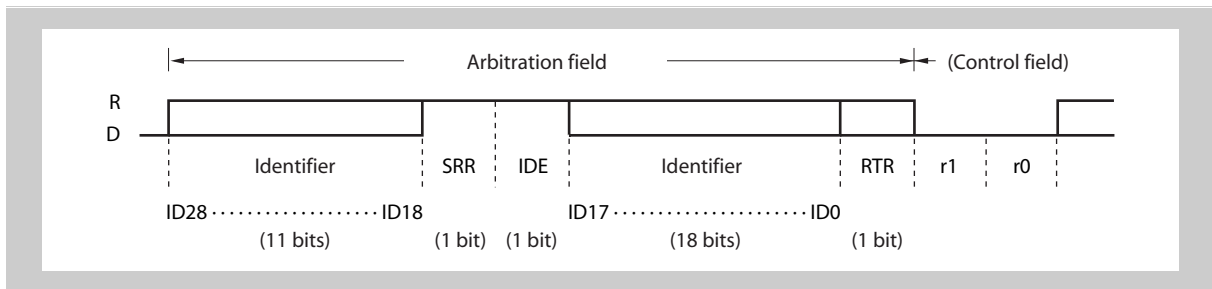
The arbitration field is used to set the priority, data frame/remote frame, and frame format.



**Figure 20-6** Arbitration field (in standard format mode)

- Caution**
1. ID28 to ID18 are identifiers.
  2. An identifier is transmitted MSB first.

**Note** D: Dominant = 0  
R: Recessive = 1



**Figure 20-7** Arbitration field (in extended format mode)

- Caution**
1. ID28 to ID18 are identifiers.
  2. An identifier is transmitted MSB first.

**Note** D: Dominant = 0  
R: Recessive = 1

**Table 20-3** RTR frame settings

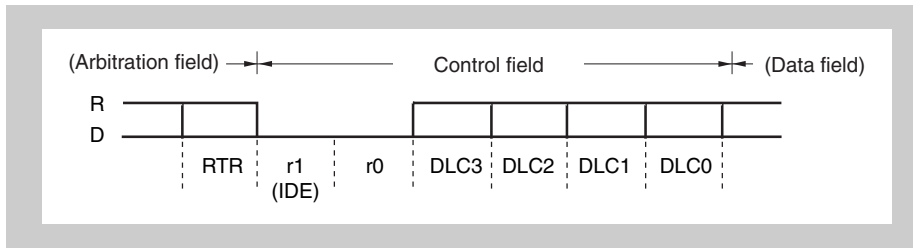
Frame type	RTR bit
Data frame	0 (D)
Remote frame	1 (R)

**Table 20-4** Frame format setting (IDE bit) and number of identifier (ID) bits

Frame format	SRR bit	IDE bit	Number of bits
Standard format mode	None	0 (D)	11 bits
Extended format mode	1 (R)	1 (R)	29 bits

**(c) Control field**

The control field sets “DLC” as the number of data bytes in the data field (DLC = 0 to 8).



**Figure 20-8 Control field**

**Note** D: Dominant = 0  
R: Recessive = 1

In a standard format frame, the control field’s IDE bit is the same as the r1 bit.

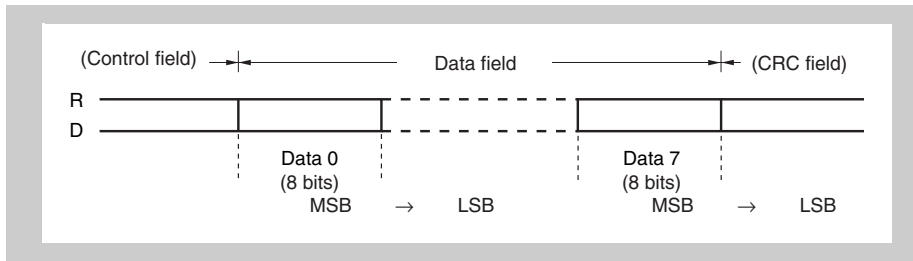
**Table 20-5 Data length setting**

Data length code				Data byte count
DLC3	DLC2	DLC1	DLC0	
0	0	0	0	0 bytes
0	0	0	1	1 byte
0	0	1	0	2 bytes
0	0	1	1	3 bytes
0	1	0	0	4 bytes
0	1	0	1	5 bytes
0	1	1	0	6 bytes
0	1	1	1	7 bytes
1	0	0	0	8 bytes
Other than above				8 bytes regardless of the value of DLC3 to DLC0

**Caution** In the remote frame, there is no data field even if the data length code is not 0000<sub>B</sub>.

**(d) Data field**

The data field contains the amount of data (byte units) set by the control field. Up to 8 units of data can be set.

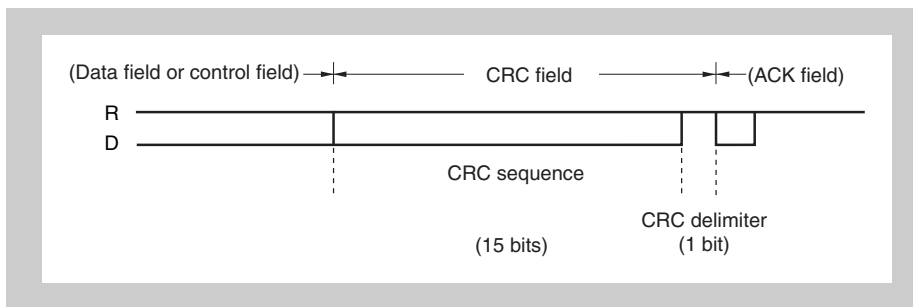


**Figure 20-9 Data field**

**Note** D: Dominant = 0  
R: Recessive = 1

**(e) CRC field**

The CRC field is a 16-bit field that is used to check for errors in transmit data.



**Figure 20-10 CRC field**

**Note** D: Dominant = 0  
R: Recessive = 1

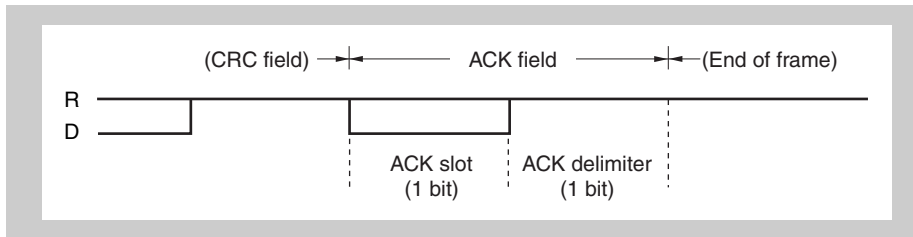
- The polynomial P(X) used to generate the 15-bit CRC sequence is expressed as follows.

$$P(X) = X^{15} + X^{14} + X^{10} + X^8 + X^7 + X^4 + X^3 + 1$$

- **Transmitting node:** Transmits the CRC sequence calculated from the data (before bit stuffing) in the start of frame, arbitration field, control field, and data field.
- **Receiving node:** Compares the CRC sequence calculated using data bits that exclude the stuffing bits in the receive data with the CRC sequence in the CRC field. If the two CRC sequences do not match, the node issues an error frame.

**(f) ACK field**

The ACK field is used to acknowledge normal reception.



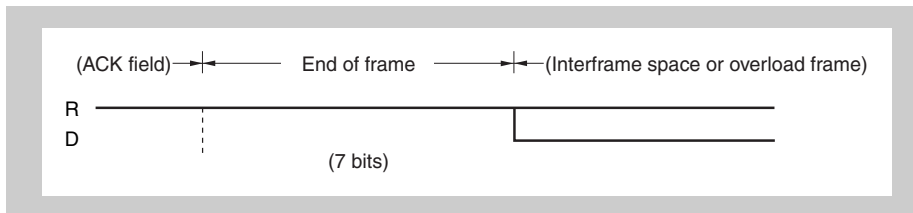
**Figure 20-11 ACK field**

**Note** D: Dominant = 0  
R: Recessive = 1

- If no CRC error is detected, the receiving node sets the ACK slot to the dominant level.
- The transmitting node outputs two recessive-level bits.

**(g) End of frame (EOF)**

The end of frame field indicates the end of data frame/remote frame.



**Figure 20-12 End of frame (EOF)**

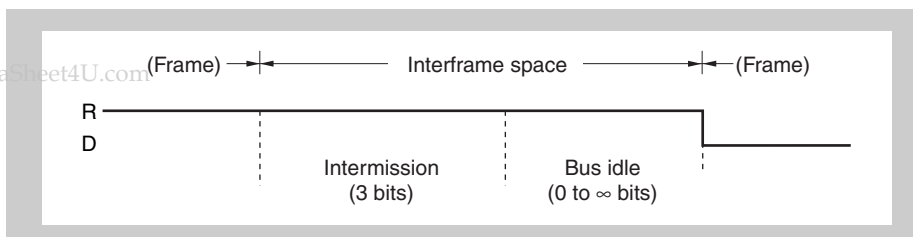
**Note** D: Dominant = 0  
R: Recessive = 1

**(h) Interframe space**

The interframe space is inserted after a data frame, remote frame, error frame, or overload frame to separate one frame from the next.

- The bus state differs depending on the error status.
  - **Error active node**

The interframe space consists of a 3-bit intermission field and a bus idle field.

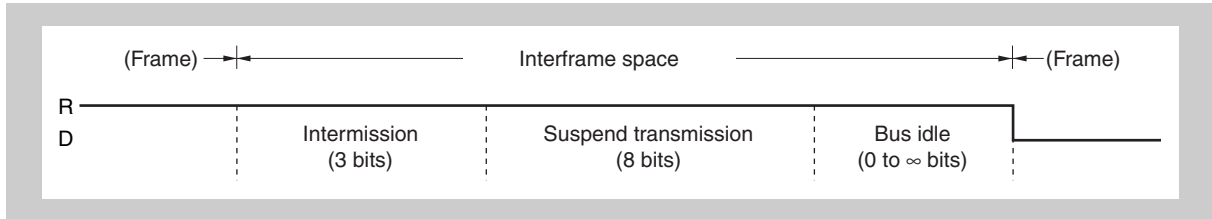


**Figure 20-13 Interframe space (error active node)**

- Note**
1. Bus idle: State in which the bus is not used by any node.
  2. D: Dominant = 0  
R: Recessive = 1

**– Error passive node**

The interframe space consists of an intermission field, a suspend transmission field, and a bus idle field.



**Figure 20-14 Interframe space (error passive node)**

- Note**
1. Bus idle: State in which the bus is not used by any node.
  - Suspend transmission: Sequence of 8 recessive-level bits transmitted from the node in the error passive status.
  2. D: Dominant = 0  
R: Recessive = 1

Usually, the intermission field is 3 bits. If the transmitting node detects a dominant level at the third bit of the intermission field, however, it executes transmission.

- Operation in error status

**Table 20-6 Operation in error status**

Error status	Operation
Error active	A node in this status can transmit immediately after a 3-bit intermission.
Error passive	A node in this status can transmit 8 bits after the intermission.



### 20.2.4 Error frame

An error frame is output by a node that has detected an error.

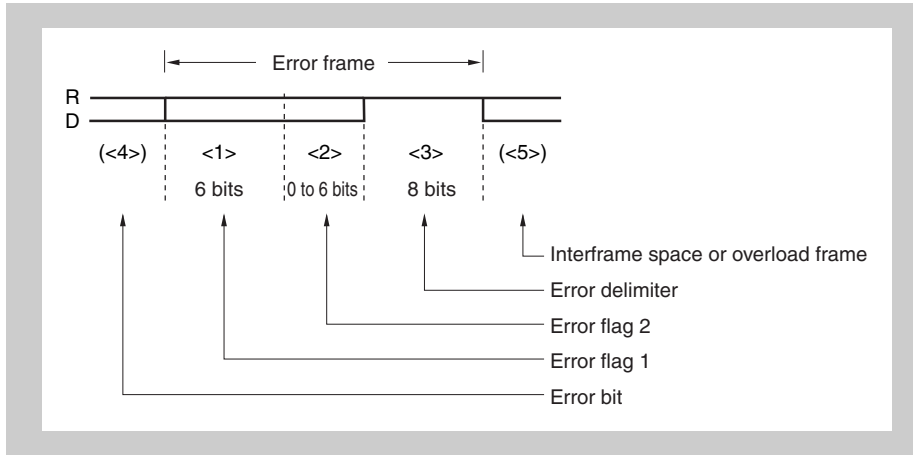


Figure 20-15 Error frame

**Note** D: Dominant = 0  
R: Recessive = 1

Table 20-7 Definition of error frame fields

No.	Name	Bit count	Definition
<1>	Error flag 1	6	Error active node: Outputs 6 dominant-level bits consecutively. Error passive node: Outputs 6 recessive-level bits consecutively.  If another node outputs a dominant level while one node is outputting a passive error flag, the passive error flag is not cleared until the same level is detected 6 bits in a row.
<2>	Error flag 2	0 to 6	Nodes receiving error flag 1 detect bit stuff errors and issues this error flag.
<3>	Error delimiter	8	Outputs 8 recessive-level bits consecutively. If a dominant level is detected at the 8th bit, an overload frame is transmitted from the next bit.
<4>	Error bit	–	The bit at which the error was detected. The error flag is output from the bit next to the error bit. In the case of a CRC error, this bit is output following the ACK delimiter.
<5>	Interframe space/ overload frame	–	An interframe space or overload frame starts from here.

### 20.2.5 Overload frame

An overload frame is transmitted under the following conditions.

- When the receiving node has not completed the reception operation
- If a dominant level is detected at the first two bits during intermission
- If a dominant level is detected at the last bit (7th bit) of the end of frame or at the last bit (8th bit) of the error delimiter/overload delimiter

**Note** The CAN is internally fast enough to process all received frames not generating overload frames.

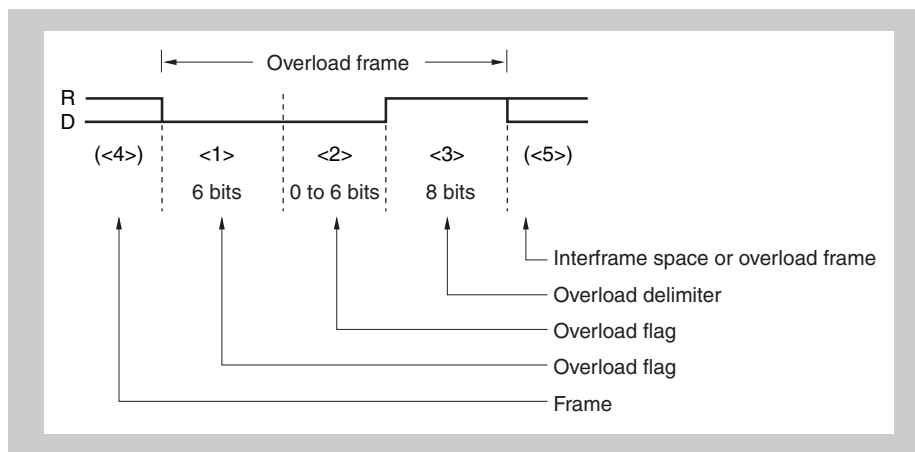


Figure 20-16 Overload frame

**Note** D: Dominant = 0  
R: Recessive = 1

Table 20-8 Definition of overload frame fields

No	Name	Bit count	Definition
<1>	Overload flag	6	Outputs 6 dominant-level bits consecutively.
<2>	Overload flag from other node	0 to 6	The node that received an overload flag in the interframe space outputs an overload flag.
<3>	Overload delimiter	8	Outputs 8 recessive-level bits consecutively. If a dominant level is detected at the 8th bit, an overload frame is transmitted from the next bit.
<4>	Frame	–	Output following an end of frame, error delimiter, or overload delimiter.
<5>	Interframe space/overload frame	–	An interframe space or overload frame starts from here.

## 20.3 Functions

### 20.3.1 Determining bus priority

**(1) When a node starts transmission:**

- During bus idle, the node that output data first transmits the data.

**(2) When more than one node starts transmission:**

- The node that consecutively outputs the dominant level for the longest from the first bit of the arbitration field has the bus priority (if a dominant level and a recessive level are simultaneously transmitted, the dominant level is taken as the bus value).
- The transmitting node compares its output arbitration field and the data level on the bus.

**Table 20-9 Determining bus priority**

Level match	Continuous transmission
Level mismatch	Stops transmission at the bit where mismatch is detected and starts reception at the following bit

**(3) Priority of data frame and remote frame**

- When a data frame and a remote frame are on the bus, the data frame has priority because its RTR bit, the last bit in the arbitration field, carries a dominant level.

**Note** If the extended-format data frame and the standard-format remote frame conflict on the bus (if ID28 to ID18 of both of them are the same), the standard-format remote frame takes priority.

**20.3.2 Bit stuffing**

Bit stuffing is used to establish synchronization by appending 1 bit of inverted-level data if the same level continues for 5 bits, in order to prevent a burst error.

**Table 20-10 Bit stuffing**

Transmission	During the transmission of a data frame or remote frame, when the same level continues for 5 bits in the data between the start of frame and the ACK field, 1 inverted-level bit of data is inserted before the following bit.
Reception	During the reception of a data frame or remote frame, when the same level continues for 5 bits in the data between the start of frame and the ACK field, reception is continued after deleting the next bit.

**20.3.3 Multi masters**

As the bus priority (a node acquiring transmit functions) is determined by the identifier, any node can be the bus master.

### 20.3.4 Multi cast

Although there is one transmitting node, two or more nodes can receive the same data at the same time because the same identifier can be set to two or more nodes.

### 20.3.5 CAN sleep mode/CAN stop mode function

The CAN sleep mode/CAN stop mode function puts the CAN Controller in waiting mode to achieve low power consumption.

The controller is woken up from the CAN sleep mode by bus operation but it is not woken up from the CAN stop mode by bus operation (the CAN stop mode is controlled by CPU access).

### 20.3.6 Error control function

#### (1) Error types

Table 20-11 Error types

Type	Description of error		Detection state	
	Detection method	Detection condition	Transmission/reception	Field/frame
Bit error	Comparison of the output level and level on the bus (except stuff bit)	Mismatch of levels	Transmitting/receiving node	Bit that is outputting data on the bus at the start of frame to end of frame, error frame and overload frame.
Stuff error	Check of the receive data at the stuff bit	6 consecutive bits of the same output level	Receiving node	Start of frame to CRC sequence
CRC error	Comparison of the CRC sequence generated from the receive data and the received CRC sequence	Mismatch of CRC	Receiving node	CRC field
Form error	Field/frame check of the fixed format	Detection of fixed format violation	Receiving node	CRC delimiter ACK field End of frame Error frame Overload frame
ACK error	Check of the ACK slot by the transmitting node	Detection of recessive level in ACK slot	Transmitting node	ACK slot

#### (2) Output timing of error frame

www.DataSheet4U.com Table 20-12 Output timing of error frame

Type	Output timing
Bit error, stuff error, form error, ACK error	Error frame output is started at the timing of the bit following the detected error.
CEC error	Error frame output is started at the timing of the bit following the ACK delimiter.

**(3) Processing in case of error**

The transmission node re-transmits the data frame or remote frame after the error frame. (However, it does not re-transmit the frame in the single-shot mode.)

**(4) Error state****(a) Types of error states**

The following three types of error states are defined by the CAN specification:

- Error active
- Error passive
- Bus-off

These types of error states are classified by the values of the TEC7 to TEC0 bits (transmission error counter bits) and the REC6 to REC0 bits (reception error counter bits) as shown in *Table 20-13*.

The present error state is indicated by the CAN module information register (CnINFO).

When each error counter value becomes equal to or greater than the error warning level (96), the TECS0 or RECS0 bit of the CnINFO register is set to 1. In this case, the bus state must be tested because it is considered that the bus has a serious fault. An error counter value of 128 or more indicates an error passive state and the TECS1 or RECS1 bit of the CnINFO register is set to 1.

- If the value of the transmission error counter is greater than or equal to 256 (actually, the transmission error counter does not indicate a value greater than or equal to 256), the bus-off state is reached and the BOFF bit of the CnINFO register is set to 1.
- If only one node is active on the bus at startup (i.e., a particular case such as when the bus is connected only to the local station), ACK is not returned even if data is transmitted. Consequently, re-transmission of the error frame and data is repeated. In the error passive state, however, the transmission error counter is not incremented and the bus-off state is not reached.

Table 20-13 Types of error states

Type	Operation	Value of error counter	Indication of CnINFO register	Operation specific to error state
Error active	Transmission	0 to 95	TECS1, TECS0 = 00	Outputs an active error flag (6 consecutive dominant-level bits) on detection of the error.
	Reception	0 to 95	RECS1, RECS0 = 00	
	Transmission	96 to 127	TECS1, TECS0 = 01	
	Reception	96 to 127	RECS1, RECS0 = 01	
Error passive	Transmission	128 to 255	TECS1, TECS0 = 11	Outputs a passive error flag (6 consecutive recessive-level bits) on detection of the error. Transmits 8 recessive-level bits, in between transmissions, following an intermission (suspend transmission).
	Reception	128 or more	RECS1, RECS0 = 11	
Bus-off	Transmission	256 or more (not indicated) <sup>Note</sup>	BOFF = 1, TECS1, TECS0 = 11	Communication is not possible. Messages are not stored when receiving frames, however, the following operations of <1>, <2>, and <3> are done. <1> TSOUT toggles. <2> REC is incremented/decremented. <3> VALID bit is set. If the CAN module is entered to the initialization mode and then transition request to any operation mode is made, and when 11 consecutive recessive-level bits are detected 128 times, the error counter is reset to 0 and the error active state can be restored.

**Note** The value of the transmission error counter (TEC) is invalid when the BOFF bit is set to 1. If an error that increments the value of the transmission error counter by +8 while the counter value is in a range of 248 to 255, the counter is not incremented and the bus-off state is assumed.

**(b) Error counter**

The error counter counts up when an error has occurred, and counts down upon successful transmission and reception. The error counter is updated immediately after error detection.

**Table 20-14 Error counter**

State	Transmission error counter (TEC7 to TEC0 bits)	Reception error counter (REC6 to REC0 bits)
Receiving node detects an error (except bit error in the active error flag or overload flag).	No change	+1 (when REPS = 0)
Receiving node detects dominant level following error flag of error frame.	No change	+8 (when REPS = 0)
Transmitting node transmits an error flag. [As exceptions, the error counter does not change in the following cases.] <1> ACK error is detected in error passive state and dominant level is not detected while the passive error flag is being output. <2> A stuff error is detected in an arbitration field that transmitted a recessive level as a stuff bit, but a dominant level is detected.	+8	No change
Bit error detection while active error flag or overload flag is being output (error-active transmitting node)	+8	No change
Bit error detection while active error flag or overload flag is being output (error-active receiving node)	No change	+8 (REPS bit = 0)
When the node detects 14 consecutive dominant-level bits from the beginning of the active error flag or overload flag, and then subsequently detects 8 consecutive dominant-level bits. When the node detects 8 consecutive dominant levels after a passive error flag	+8 (transmitting)	+8 (during reception, when REPS = 0)
When the transmitting node has completed transmission without error (±0 if error counter = 0)	-1	No change
When the receiving node has completed reception without error	No change	<ul style="list-style-type: none"> <li>• -1 (1 ≤ REC6 to REC0 ≤ 127, when REPS = 0)</li> <li>• ±0 (REC6 to REC0 = 0, when REPS = 0)</li> <li>• Value of 119 to 127 is set (when REPS = 1)</li> </ul>

**(c) Occurrence of bit error in intermission**

An overload frame is generated.

**Caution** If an error occurs, it is controlled according to the contents of the transmission error counter and reception error counter before the error occurred. The value of the error counter is incremented after the error flag has been output.

**(5) Recovery from bus-off state**

When the CAN module is in the bus-off state, the CAN module permanently sets its output signals (CTXDn) to recessive level.

The CAN module recovers from the bus-off state in the following bus-off recovery sequence.

1. **A request to enter the CAN initialization mode**
2. **A request to enter a CAN operation mode**
  - (a) Recovery operation through normal recovery sequence
  - (b) Forced recovery operation that skips recovery sequence

**(a) Recovery from bus-off state through normal recovery sequence**

The CAN module first issues a request to enter the initialization mode (refer to timing <1> in *Figure 20-17 on page 739*). This request will be immediately acknowledged, and the OPMODE bits of the CnCTRL register are cleared to 000<sub>B</sub>. Processing such as analyzing the fault that has caused the bus-off state, re-defining the CAN module and message buffer using application software, or stopping the operation of the CAN module can be performed by clearing the GOM bit to 0.

Next, the module requests to change the mode from the initialization mode to an operation mode (refer to timing <2> in *Figure 20-17 on page 739*). This starts an operation to recover the CAN module from the bus-off state. The conditions under which the module can recover from the bus-off state are defined by the CAN protocol ISO 11898, and it is necessary to detect 11 consecutive recessive-level bits 128 times. At this time, the request to change the mode to an operation mode is held pending until the recovery conditions are satisfied. When the recovery conditions are satisfied (refer to timing <3> in *Figure 20-17 on page 739*), the CAN module can enter the operation mode it has requested. Until the CAN module enters this operation mode, it stays in the initialization mode. Completion to be requested operation mode can be confirmed by reading the OPMODE bits of the CnCTRL register.

During the bus-off period and bus-off recovery sequence, the BOFF bit of the CnINFO register stays set (to 1). In the bus-off recovery sequence, the reception error counter (REC[6:0]) counts the number of times 11 consecutive recessive-level bits have been detected on the bus. Therefore, the recovery state can be checked by reading REC[6:0].



**Caution** In the bus-off recovery sequence, REC[6:0] counts up (+1) each time 11 consecutive recessive-level bits have been detected. Even during the bus-off period, the CAN module can enter the CAN sleep mode or CAN stop mode. To start the bus-off recovery sequence, it is necessary to transit to the initialization mode once. However, when the CAN module is in either CAN sleep mode or CAN stop mode, transition request to the initialization mode is not accepted, thus you have to release the CAN sleep mode first. In this case, as soon as the CAN sleep mode is released, the bus-off recovery sequence starts and no transition to initialization mode is necessary. If the can module detects a dominant edge on the CAN bus while in sleep mode even during bus-off, the sleep mode will be left and the bus-off recovery sequence will start.

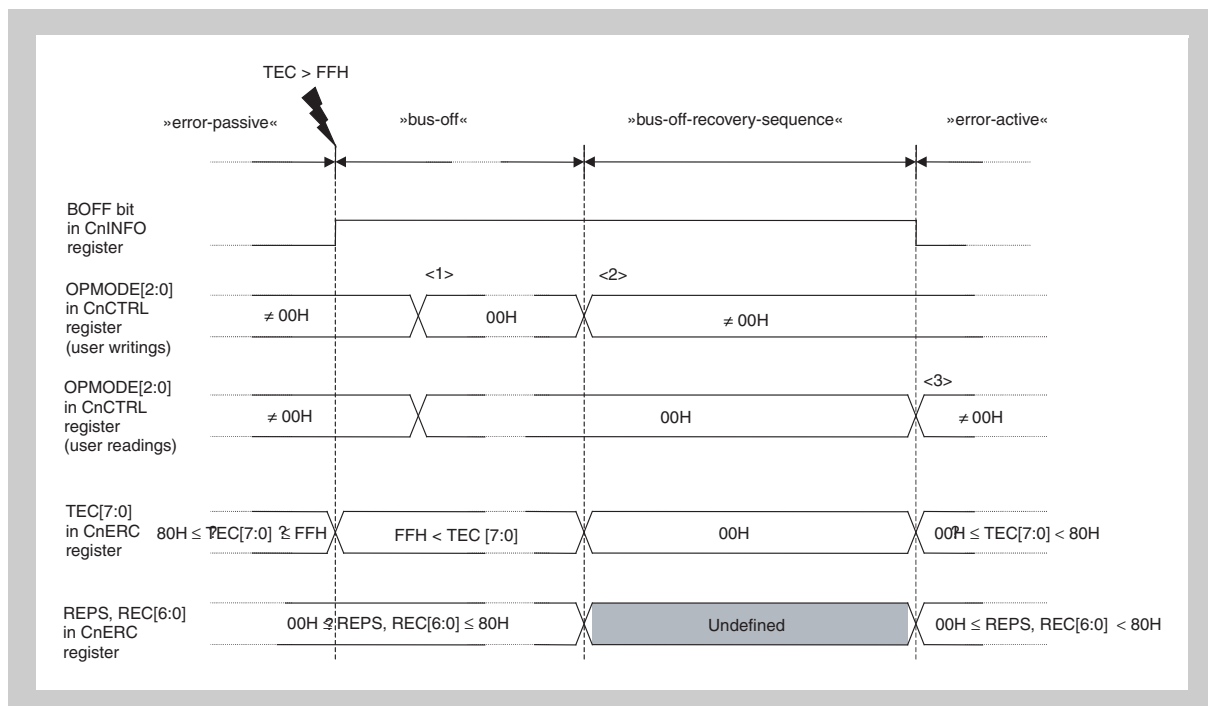


Figure 20-17 Recovery from bus-off state through normal recovery sequence

### (b) Forced recovery operation that skips bus-off recovery sequence

The CAN module can be forcibly released from the bus-off state, regardless of the bus state, by skipping the bus-off recovery sequence. Here is the procedure.

First, the CAN module requests to enter the initialization mode. For the operation and points to be noted at this time, “*Recovery from bus-off state through normal recovery sequence*” on page 738.

Next, the module requests to enter an operation mode. At the same time, the CCERC bit of the CnCTRL register must be set to 1.

As a result, the bus-off recovery sequence defined by the CAN protocol ISO 11898 is skipped, and the module immediately enters the operation mode. In this case, the module is connected to the CAN bus after it has monitored 11 consecutive recessive-level bits. For details, refer to the processing in *Figure 20-55 on page 850*.

---

**Caution** This function is not defined by the CAN protocol ISO 11898. When using this function, thoroughly evaluate its effect on the network system.

---

**(6) Initializing CAN module error counter register (CnERC) in initialization mode**

If it is necessary to initialize the CAN module error counter register (CnERC) and CAN module information register (CnINFO) for debugging or evaluating a program, they can be initialized to the default value by setting the CCERC bit of the CnCTRL register in the initialization mode. When initialization has been completed, the CCERC bit is automatically cleared to 0.

---

**Caution**

1. This function is enabled only in the initialization mode. Even if the CCERC bit is set to 1 in a CAN operation mode, the CnERC and CnINFO registers are not initialized.
2. The CCERC bit can be set at the same time as the request to enter a CAN operation mode.

---

### 20.3.7 Baud rate control function

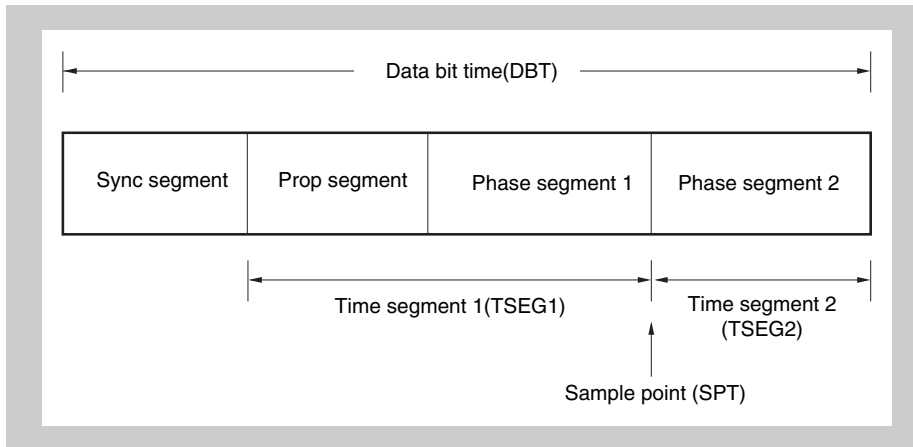
**(1) Prescaler**

The CAN controller has a prescaler that divides the clock ( $f_{CAN}$ ) supplied to CAN. This prescaler generates a CAN protocol layer basic system clock ( $f_{TQ}$ ) derived from the CAN module system clock ( $f_{CANMOD}$ ), and divided by 1 to 256 (“CnBRP - CANn module bit rate prescaler register“ on page 772).

**(2) Data bit time (8 to 25 time quanta)**

One data bit time is defined as shown in *Figure 20-18 on page 741*.

The CAN Controller sets time segment 1, time segment 2, and reSynchronization Jump Width (SJW) of data bit time, as shown in *Figure 20-18*. Time segment 1 is equivalent to the total of the propagation (prop) segment and phase segment 1 that are defined by the CAN protocol specification. Time segment 2 is equivalent to phase segment 2.



**Figure 20-18 Segment setting**

**Table 20-15 Segment setting**

Segment name	Settable range	Notes on setting to conform to CAN specification
Time segment 1 (TSEG1)	2TQ to 15TQ	-
Time segment 2 (TSEG2)	1TQ to 8TQ	IPT of the CAN controller is 0TQ. To conform to the CAN protocol specification, therefore, a length less or equal to phase segment 1 must be set here. This means that the length of time segment 1 minus 1TQ is the settable upper limit of time segment 2.
Resynchronization Jump Width (SJW)	1TQ to 4TQ	The length of time segment 1 minus 1TQ or 4 TQ, whichever is smaller.

- Note**
1. IPT: Information Processing Time
  2. TQ: Time Quanta

Reference: The CAN protocol specification defines the segments constituting the data bit time as shown in *Figure 20-19*.

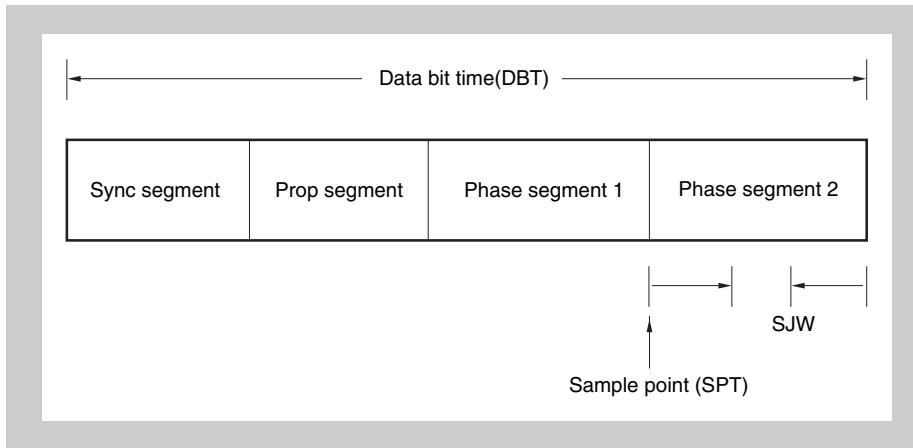


Figure 20-19 Configuration of data bit time defined by CAN specification

Table 20-16 Configuration of data bit time defined by CAN specification

Segment name	Settable range	Notes on setting to conform to CAN specification
Sync segment (Synchronization segment)	1	This segment starts at the edge where the level changes from recessive to dominant when hardware synchronization is established.
Prop segment	Programmable to 1 to 8 or more	This segment absorbs the delay of the output buffer, CAN bus, and input buffer.
Phase segment 1	Programmable to 1 to 8	The length of this segment is set so that ACK is returned before the start of phase segment 1.
Phase segment 2	Phase segment 1 or IPT, whichever greater	Time of prop segment $\geq$ (Delay of output buffer) + $2 \times$ (Delay of CAN bus) + (Delay of input buffer) This segment compensates for an error of data bit time. The longer this segment, the wider the permissible range but the slower the communication speed.
SJW	Programmable from 1TQ to length of segment 1 or 4TQ, whichever is smaller	This width sets the upper limit of expansion or contraction of the phase segment during resynchronization.

**Note** IPT: Information Processing Time

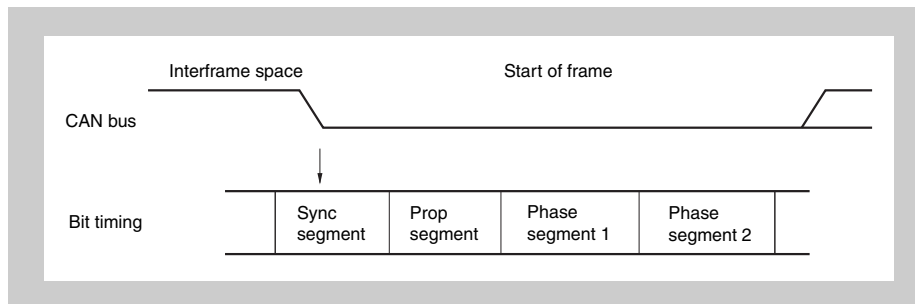
**(3) Synchronizing data bit**

- The receiving node establishes synchronization by a level change on the bus because it does not have a sync signal.
- The transmitting node transmits data in synchronization with the bit timing of the transmitting node.

**(a) Hardware synchronization**

This synchronization is established when the receiving node detects the start of frame in the interframe space.

- When a falling edge is detected on the bus, that TQ means the sync segment and the next segment is the prop segment. In this case, synchronization is established regardless of SJW.



**Figure 20-20** Adjusting synchronization of data bit

**(b) Resynchronization**

Synchronization is established again if a level change is detected on the bus during reception (only if a recessive level was sampled previously).

- The phase error of the edge is given by the relative position of the detected edge and sync segment.

<Sign of phase error>

0: If the edge is within the sync segment

Positive: If the edge is before the sample point (phase error)

Negative: If the edge is after the sample point (phase error)

If phase error is positive: Phase segment 1 is lengthened by specified SJW.

If phase error is negative: Phase segment 2 is shortened by specified SJW.

- The sample point of the data of the receiving node moves relatively due to the “discrepancy” in the baud rate between the transmitting node and receiving node.

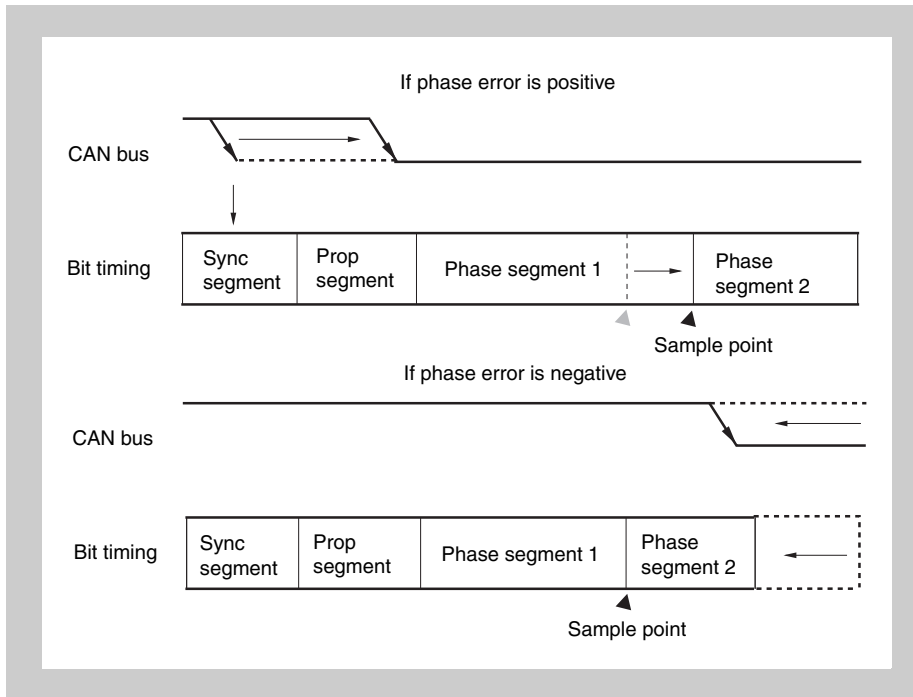


Figure 20-21 Resynchronization

## 20.4 Connection with Target System

The CAN module has to be connected to the CAN bus using an external transceiver.

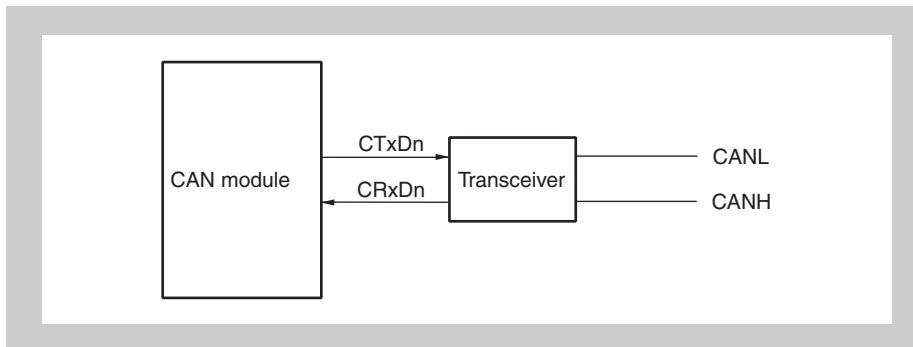


Figure 20-22 Connection to CAN bus

## 20.5 Internal Registers of CAN Controller

### 20.5.1 CAN module register and message buffer addresses

In this chapter all register and message buffer addresses are defined as address offsets to different base addresses.

Since all registers are accessed via the programmable peripheral area the bottom address is defined by the BPC register (refer to “Programmable peripheral I/O area” on page 133 or to “Programmable peripheral I/O area (PPA)” on page 296).

The addresses given in the following tables are offsets to the programmable peripheral area base address PBA.

The recommended setting of PBA is 8FFB<sub>H</sub>. This setting would define the programmable peripheral area base address

$$PBA = 03FE\ C000_H$$

Table 20-17 lists all base addresses used throughout this chapter.

**Table 20-17 CAN module base addresses**

Base address name	Base address of	Address	Address for BPC =8FFB <sub>H</sub>
C0RBaseAddr	CAN0 registers	PBA + 000 <sub>H</sub>	03FE C000 <sub>H</sub>
C0MBaseAddr	CAN0 message buffers	PBA + 100 <sub>H</sub>	03FE C100 <sub>H</sub>
C1RBaseAddr	CAN1 registers	PBA + 600 <sub>H</sub>	03FE C600 <sub>H</sub>
C1MBaseAddr	CAN1 message buffers	PBA + 700 <sub>H</sub>	03FE C700 <sub>H</sub>
C2RBaseAddr	CAN2 registers	PBA + C00 <sub>H</sub>	03FE CC00 <sub>H</sub>
C2MBaseAddr	CAN2 message buffers	PBA + D00 <sub>H</sub>	03FE CD00 <sub>H</sub>

In the following <CnRBaseAddr> respectively <CnMBaseAddr> are used for the base address names for CAN channel n.

## 20.5.2 CAN Controller configuration

Table 20-18 List of CAN Controller registers

Item	Register Name
CANn global registers	CANn global control register (CnGMCTRL)
	CANn global clock selection register (CnGMCS)
	CANn global automatic block transmission control register (CnGMABT)
	CANn global automatic block transmission delay setting register (CnGMABTD)
CANn module registers	CANn module mask 1 register (CnMASK1L, CnMASK1H)
	CANn module mask 2 register (CnMASK2L, CnMASK2H)
	CANn module mask3 register (CnMASK3L, CnMASK3H)
	CANn module mask 4 registers (CnMASK4L, CnMASK4H)
	CANn module control register (CnCTRL)
	CANn module last error information register (CnLEC)
	CANn module information register (CnINFO)
	CANn module error counter register (CnERC)
	CANn module interrupt enable register (CnIE)
	CANn module interrupt status register (CnINTS)
	CANn module bit rate prescaler register (CnBRP)
	CANn module bit rate register (CnBTR)
	CANn module last in-pointer register (CnLIPT)
	CANn module receive history list register (CnRGPT)
	CANn module last out-pointer register (CnLOPT)
	CANn module transmit history list register (CnTGPT)
	CANn module time stamp register (CnTS)
CANn message buffer registers	CANn message data byte 01 register m (CnMDATA01m)
	CANn message data byte 0 register m (CnMDATA0m)
	CANn message data byte 1 register m (CnMDATA1m)
	CANn message data byte 23 register m (CnMDATA23m)
	CANn message data byte 2 register m (CnMDATA2m)
	CANn message data byte 3 register m (CnMDATA3m)
	CANn message data byte 45 register m (CnMDATA45m)
	CANn message data byte 4 register m (CnMDATA4m)
	CANn message data byte 5 register m (CnMDATA5m)
	CANn message data byte 67 register m (CnMDATA67m)
	CANn message data byte 6 register m (CnMDATA6m)
	CANn message data byte 7 register m (CnMDATA7m)
	CANn message data length register m (CnMDLm)
	CANn message configuration register m (CnMCONFm)
	CANn message ID register m (CnMIDLm, CnMIDHm)
CANn message control register m (CnMCTRLm)	



### 20.5.3 CAN registers overview

#### (1) CANn global and module registers

The following table lists the address offsets to the CANn register base address CnRBaseAddr.

Table 20-19 CANn global and module registers

Address offset	Register name	Symbol	R/W	Access			After reset		
				1-bit	8-bit	16-bit			
000 <sub>H</sub>	CANn global control register	CnGMCTRL	R/W	-	-	√	0000 <sub>H</sub>		
002 <sub>H</sub>	CANn global clock selection register	CnGMCS				√	0F <sub>H</sub>		
006 <sub>H</sub>	CANn global automatic block transmission register	CnGMABT			-	-	√	0000 <sub>H</sub>	
008 <sub>H</sub>	CANn global automatic block transmission delay register	CnGMABTD			-	√	-	00 <sub>H</sub>	
040 <sub>H</sub>	CANn module mask 1 register	CnMASK1L			-	-	√	Undefined	
042 <sub>H</sub>		CnMASK1H			-	-	√	Undefined	
044 <sub>H</sub>	CANn module mask 2 register	CnMASK2L			-	-	√	Undefined	
046 <sub>H</sub>		CnMASK2H			-	-	√	Undefined	
048 <sub>H</sub>	CANn module mask 3 register	CnMASK3L			-	-	√	Undefined	
04A <sub>H</sub>		CnMASK3H			-	-	√	Undefined	
04C <sub>H</sub>	CANn module mask 4 register	CnMASK4L			-	-	√	Undefined	
04E <sub>H</sub>		CnMASK4H			-	-	√	Undefined	
050 <sub>H</sub>	CANn module control register	CnCTRL			-	-	√	0000 <sub>H</sub>	
052 <sub>H</sub>	CANn module last error code register	CnLEC			-	√	-	00 <sub>H</sub>	
053 <sub>H</sub>	CANn module information register	CnINFO		R	-	√	-	00 <sub>H</sub>	
054 <sub>H</sub>	CANn module error counter register	CnERC			-	-	√	0000 <sub>v</sub>	
056 <sub>H</sub>	CANn module interrupt enable register	CnIE		R/W	-	-	√	0000 <sub>H</sub>	
058 <sub>H</sub>	CANn module interrupt status register	CnINTS				-	-	√	0000 <sub>H</sub>
05A <sub>H</sub>	CANn module bit-rate prescaler register	CnBRP				-	√	-	FF <sub>H</sub>
05C <sub>H</sub>	CANn module bit-rate register	CnBTR				-	-	√	370F <sub>H</sub>
05E <sub>H</sub>	CANn module last in-pointer register	CnLIPT	R	-	√	-	Undefined		
060 <sub>H</sub>	CANn module receive history list register	CnRGPT	R/W	-	-	√	xx02 <sub>H</sub>		
062 <sub>H</sub>	CANn module last out-pointer register	CnLOPT	R	-	√	-	Undefined		
064 <sub>H</sub>	CANn module transmit history list register	CnTGPT	R/W	-	-	√	xx02 <sub>H</sub>		
066 <sub>H</sub>	CANn module time stamp register	CnTS			-	-	√	0000 <sub>H</sub>	

**(2) CANn message buffer registers**

The addresses in the following table denote the address offsets to the CANn message buffer base address:

$CnMBaseAddr$ .

**Example** CAN0, message buffer register  $m = 14 = E_H$ , byte 6 COMDATA614 has the address  $E_H \times 20_H + 6_H + CnMBaseAddr$

**Note** The message buffer register number  $m$  in the register symbols has 2 digits, for example, COMDATA01m = COMDATA0100 for  $m = 0$ .

**Table 20-20** CANn message buffer registers

Address offset	Register name	Symbol	R/W	Access			After reset
				1-bit	8-bit	16-bit	
$mx20_H + 0_H$	CANn message data byte 01 register m	CnMDATA01m	R/W	-	-	√	Undefined
$mx20_H + 0_H$	CANn message data byte 0 register m	CnMDATA0m		-	√	-	Undefined
$mx20_H + 1_H$	CANn message data byte 1 register m	CnMDATA1m		-	√	-	Undefined
$mx20_H + 2_H$	CANn message data byte 23 register m	CnMDATA23m		-	-	√	Undefined
$mx20_H + 2_H$	CANn message data byte 2 register m	CnMDATA2m		-	√	-	Undefined
$mx20_H + 3_H$	CANn message data byte 3 register m	CnMDATA3m		-	√	-	Undefined
$mx20_H + 4_H$	CANn message data byte 45 register m	CnMDATA45m		-	-	√	Undefined
$mx20_H + 4_H$	CANn message data byte 4 register m	CnMDATA4m		-	√	-	Undefined
$mx20_H + 5_H$	CANn message data byte 5 register m	CnMDATA5m		-	√	-	Undefined
$mx20_H + 6_H$	CANn message data byte 67 register m	CnMDATA67m		-	-	√	Undefined
$mx20_H + 6_H$	CANn message data byte 6 register m	CnMDATA6m		-	√	-	Undefined
$mx20_H + 7_H$	CANn message data byte 7 register m	CnMDATA7m		-	√	-	Undefined
$mx20_H + 8_H$	CANn message data length register m	CnMDLm		-	√	-	0000 xxxx <sub>B</sub>
$mx20_H + 9_H$	CANn message configuration register m	CnMCONFm		-	√	-	Undefined
$mx20_H + A_H$	CANn message identifier register m	CnMIDLm		-	-	√	Undefined
$mx20_H + C_H$		CnMIDHm		-	-	√	Undefined
$mx20_H + E_H$	CANn message control register m	CnMCTRLm		-	-	√	0x00 0000 0000 0000 <sub>B</sub>

## 20.5.4 Register bit configuration

Table 20-21 CAN global register bit configuration

Address offset <sup>a</sup>	Symbol	Bit 7/15	Bit 6/14	Bit 5/13	Bit 4/12	Bit 3/11	Bit 2/10	Bit 1/9	Bit 0/8
00 <sub>H</sub>	CnGMCTRL (W)	0	0	0	0	0	0	0	Clear GOM
01 <sub>H</sub>		0	0	0	0	0	0	Set EFSD	Set GOM
00 <sub>H</sub>	CnGMCTRL (R)	0	0	0	0	0	0	EFSD	GOM
01 <sub>H</sub>		MBON	0	0	0	0	0	0	0
02 <sub>H</sub>	CnGMCS	0	0	0	0	CCP3	CCP2	CCP1	CCP0
06 <sub>H</sub>	CnGMABT (W)	0	0	0	0	0	0	0	Clear ABTTRG
07 <sub>H</sub>		0	0	0	0	0	0	Set ABTCLR	Set ABTTRG
06 <sub>H</sub>	CnGMABT (R)	0	0	0	0	0	0	ABTCLR	ABTTRG
07 <sub>H</sub>		0	0	0	0	0	0	0	0
08 <sub>H</sub>	CnGMABTD	0	0	0	0	ABTD3	ABTD2	ABTD1	ABTD0

a) Base address: <CnRBaseAddr>

Table 20-22 CAN module register bit configuration (1/2)

Address offset <sup>a</sup>	Symbol	Bit 7/15	Bit 6/14	Bit 5/13	Bit 4/12	Bit 3/11	Bit 2/10	Bit 1/9	Bit 0/8
40 <sub>H</sub>	CnMASK1L	CMID7 to CMID0							
41 <sub>H</sub>		CMID15 to CMID8							
42 <sub>H</sub>	CnMASK1H	CMID23 to CMID16							
43 <sub>H</sub>		0	0	0	CMID28 to CMID24				
44 <sub>H</sub>	CnMASK2L	CMID7 to CMID0							
45 <sub>H</sub>		CMID15 to CMID8							
46 <sub>H</sub>	CnMASK2H	CMID23 to CMID16							
47 <sub>H</sub>		0	0	0	CMID28 to CMID24				
48 <sub>H</sub>	CnMASK3L	CMID7 to CMID0							
49 <sub>H</sub>		CMID15 to CMID8							
4A <sub>H</sub>	CnMASK3H	CMID23 to CMID16							
4B <sub>H</sub>		0	0	0	CMID28 to CMID24				
4C <sub>H</sub>	CnMASK4L	CMID7 to CMID0							
4D <sub>H</sub>		CMID15 to CMID8							
4E <sub>H</sub>	CnMASK4H	CMID23 to CMID16							
4F <sub>H</sub>		0	0	0	CMID28 to CMID24				
50 <sub>H</sub>	CnCTRL (W)	0	Clear AL	Clear VALID	Clear PSMODE1	Clear PSMODE0	Clear OPMODE2	Clear OPMODE1	Clear OPMODE0
51 <sub>H</sub>		Set CCERC	Set AL	0	Set PSMODE1	Set PSMODE0	Set OPMODE2	Set OPMODE1	Set OPMODE0
50 <sub>H</sub>	CnCTRL (R)	CCERC	AL	VALID	PS MODE1	PS MODE0	OP MODE2	OP MODE1	OP MODE0
51 <sub>H</sub>		0	0	0	0	0	0	RSTAT	TSTAT

www.DataSheet4U.com

Table 20-22 CAN module register bit configuration (2/2)

Address offset <sup>a</sup>	Symbol	Bit 7/15	Bit 6/14	Bit 5/13	Bit 4/12	Bit 3/11	Bit 2/10	Bit 1/9	Bit 0/8
52 <sub>H</sub>	CnLEC (W)	0	0	0	0	0	0	0	0
52 <sub>H</sub>	CnLEC (R)	0	0	0	0	0	LEC2	LEC1	LEC0
53 <sub>H</sub>	CnINFO	0	0	0	BOFF	TECS1	TECS0	RECS1	RECS0
54 <sub>H</sub>	CnERC	TEC7 to TEC0							
55 <sub>H</sub>		REC7 to REC0							
56 <sub>H</sub>	CnIE (W)	0	0	Clear CIE5	Clear CIE4	Clear CIE3	Clear CIE2	Clear CIE1	Clear CIE0
57 <sub>H</sub>		0	0	Set CIE5	Set CIE4	Set CIE3	Set CIE2	Set CIE1	Set CIE0
56 <sub>H</sub>	CnIE (R)	0	0	CIE5	CIE4	CIE3	CIE2	CIE1	CIE0
57 <sub>H</sub>		0	0	0	0	0	0	0	0
58 <sub>H</sub>	CnINTS (W)	0	0	Clear CINTS5	Clear CINTS4	Clear CINTS3	Clear CINTS2	Clear CINTS1	Clear CINTS0
59 <sub>H</sub>		0	0	0	0	0	0	0	0
58 <sub>H</sub>	CnINTS (R)	0	0	CINTS5	CINTS4	CINTS3	CINTS2	CINTS1	CINTS0
59 <sub>H</sub>		0	0	0	0	0	0	0	0
5A <sub>H</sub>	CnBRP	TQPRS7 to TQPRS0							
5C <sub>H</sub>	CnBTR	0	0	0	0	TSEG13 to TSEG10			
5D <sub>H</sub>		0	0	SJW1, SJW0		0	TSEG22 to TSEG20		
5E <sub>H</sub>	CnLIPT	LIPT7 to LIPT0							
60 <sub>H</sub>	CnRGPT (W)	0	0	0	0	0	0	0	Clear ROVF
61 <sub>H</sub>		0	0	0	0	0	0	0	0
60 <sub>H</sub>	CnRGPT (R)	0	0	0	0	0	0	RHPM	ROVF
61 <sub>H</sub>		RGPT7 to RGPT0							
F62 <sub>H</sub>	CnLOPT	LOPT7 to LOPT0							
64 <sub>H</sub>	CnTGPT (W)	0	0	0	0	0	0	0	Clear TOVF
65 <sub>H</sub>		0	0	0	0	0	0	0	0
64 <sub>H</sub>	CnTGPT (R)	0	0	0	0	0	0	THPM	TOVF
65 <sub>H</sub>		TGPT7 to TGPT0							
66 <sub>H</sub>	CnTS (W)	0	0	0	0	0	Clear TSLOCK	Clear TSSEL	Clear TSEN
67 <sub>H</sub>		0	0	0	0	0	Set TSLOCK	Set TSSEL	Set TSEN
66 <sub>H</sub>	CnTS (R)	0	0	0	0	0	TSLOCK	TSSEL	TSEN
67 <sub>H</sub>		0	0	0	0	0	0	0	0
68 <sub>H</sub> to FF <sub>H</sub>	-	Access prohibited (reserved for future use)							

<sup>a)</sup> Base address: <CnRBaseAddr>

Table 20-23 Message buffer register bit configuration

Address offset <sup>a</sup>	Symbol	Bit 7/15	Bit 6/14	Bit 5/13	Bit 4/12	Bit 3/11	Bit 2/10	Bit 1/9	Bit 0/8
0 <sub>H</sub>	CnMDATA0m	Message data (byte 0)							
1 <sub>H</sub>		Message data (byte 1)							
0 <sub>H</sub>	CnMDATA0m	Message data (byte 0)							
1 <sub>H</sub>	CnMDATA1m	Message data (byte 1)							
2 <sub>H</sub>	CnMDATA23m	Message data (byte 2)							
3 <sub>H</sub>		Message data (byte 3)							
2 <sub>H</sub>	CnMDATA2m	Message data (byte 2)							
3 <sub>H</sub>	CnMDATA3m	Message data (byte 3)							
4 <sub>H</sub>	CnMDATA45m	Message data (byte 4)							
5 <sub>H</sub>		Message data (byte 5)							
4 <sub>H</sub>	CnMDATA4m	Message data (byte 4)							
5 <sub>H</sub>	CnMDATA5m	Message data (byte 5)							
6 <sub>H</sub>	CnMDATA67m	Message data (byte 6)							
7 <sub>H</sub>		Message data (byte 7)							
6 <sub>H</sub>	CnMDATA6m	Message data (byte 6)							
7 <sub>H</sub>	CnMDATA7m	Message data (byte 7)							
8 <sub>H</sub>	CnMDLcM	0				MDLC3	MDLC2	MDLC1	MDLC0
9 <sub>H</sub>	CnMCONFm	OVS	RTR	MT2	MT1	MT0	0	0	MA0
A <sub>H</sub>	CnMIDLm	ID7	ID6	ID5	ID4	ID3	ID2	ID1	ID0
B <sub>H</sub>		ID15	ID14	ID13	ID12	ID11	ID10	ID9	ID8
C <sub>H</sub>	CnMIDHm	ID23	ID22	ID21	ID20	ID19	ID18	ID17	ID16
D <sub>H</sub>		IDE	0	0	ID28	ID27	ID26	ID25	ID24
E <sub>H</sub>	CnMCTRLm (W)	0	0	0	Clear MOW	Clear IE	Clear DN	Clear TRQ	Clear RDY
F <sub>H</sub>		0	0	0	0	Set IE	0	Set TRQ	Set RDY
E <sub>H</sub>	CnMCTRLm (R)	0	0	0	MOW	IE	DN	TRQ	RDY
F <sub>H</sub>		0	0	MUC	0	0	0	0	0

a) Base address: <CnMBaseAddr>

**Note** For calculation of the complete message buffer register addresses refer to “CAN registers overview” on page 747.

## 20.6 Bit Set/Clear Function

The CAN control registers include registers whose bits can be set or cleared via the CPU and via the CAN interface. An operation error occurs if the following registers are written directly. Do not write any values directly via bit manipulation, read/modify/write, or direct writing of target values.

- CANn global control register (CnGMCTRL)
- CANn global automatic block transmission control register (CnGMABT)
- CANn module control register (CnCTRL)
- CANn module interrupt enable register (CnIE)
- CANn module interrupt status register (CnINTS)
- CANn module receive history list register (CnRGPT)
- CANn module transmit history list register (CnTGPT)
- CANn module time stamp register (CnTS)
- CANn message control register (CnMCTRLm)

All the 16 bits in the above registers can be read via the usual method. Use the procedure described in *Figure 20-23* below to set or clear the lower 8 bits in these registers.

Setting or clearing of lower 8 bits in the above registers is performed in combination with the higher 8 bits (refer to the bit status after set/clear operation is specified in *Figure 20-26*). *Figure 20-23* shows how the values of set bits or clear bits relate to set/clear/no change operations in the corresponding register.

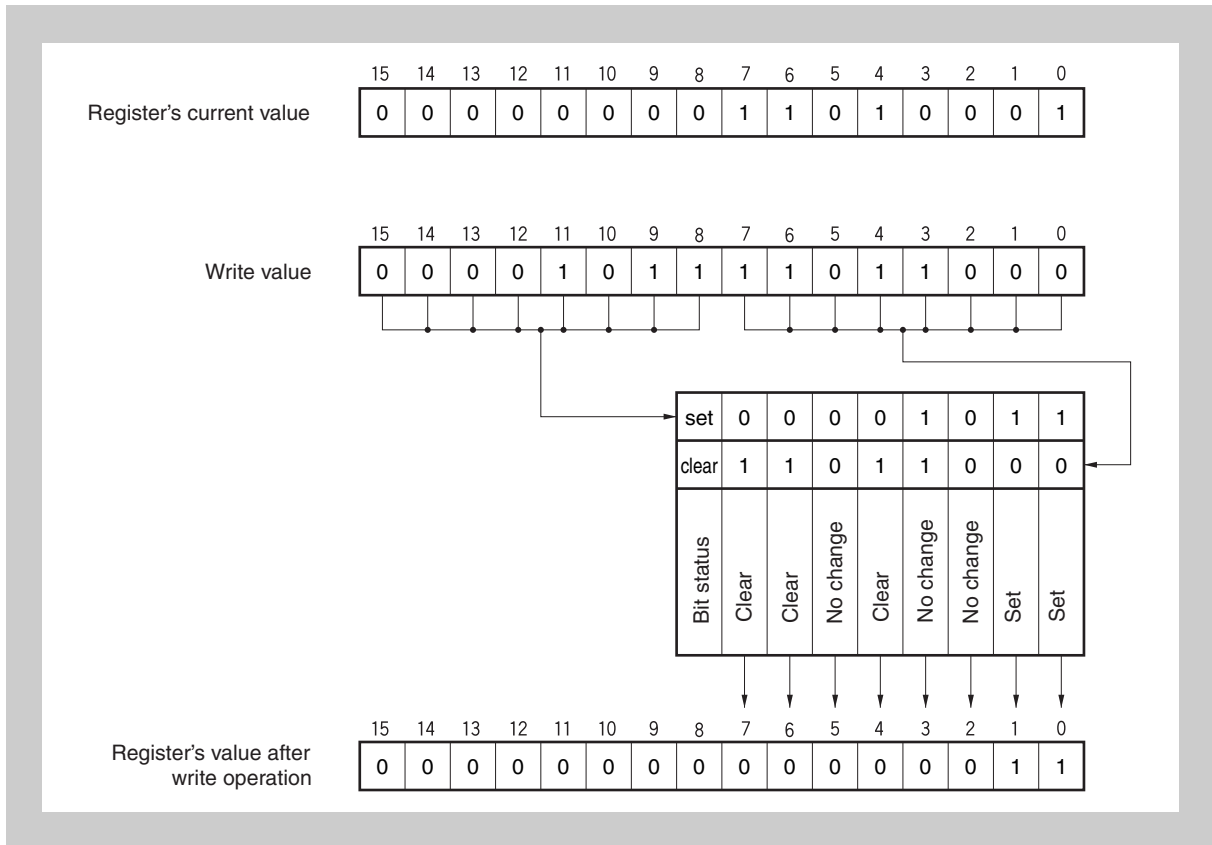


Figure 20-23 Example of bit setting/clearing operations

(1) Bit status after bit setting/clearing operations

15	14	13	12	11	10	9	8	7	6	5	4	3	2	1	0
Set 7	Set 6	Set 5	Set 4	Set 3	Set 2	Set 1	Set 0	Clear 7	Clear 6	Clear 5	Clear 4	Clear 3	Clear 2	Clear 1	Clear 0

Set 0 ... 7	Clear 0 ... 7	Status of bit n after bit set/clear operation
0	0	No change
0	1	0
1	0	1
1	1	No change

## 20.7 Control Registers

### (1) CnGMCTRL - CANn global control register

The CnGMCTRL register is used to control the operation of the CAN module.

**Access** This register can be read/written in 16-bit units.

**Address** <CnRBaseAddr> + 000<sub>H</sub>

**Initial Value** 0000<sub>H</sub>. The register is initialized by any reset.

#### (a) CnGMCTRL read

	15	14	13	12	11	10	9	8
MBON	0	0	0	0	0	0	0	0
	7	6	5	4	3	2	1	0
	0	0	0	0	0	0	EFSD	GOM

MBON	Bit enabling access to message buffer register, transmit/receive history registers
0	Write access and read access to the message buffer register and the transmit/receive history list registers is disabled.
1	Write access and read access to the message buffer register and the transmit/receive history list registers is enabled.

- Caution**
1. While the MBON bit is cleared (to 0), software access to the message buffers (CnMDATA0m, CnMDATA1m, CnMDATA01m, CnMDATA2m, CnMDATA3m, CnMDATA23m, CnMDATA4m, CnMDATA5m, CnMDATA45m, CnMDATA6m, CnMDATA7m, CnMDATA67m, CnMDLcM, CnMCONFm, CnMIDLm, CnMIDHm, and CnMCTRLm), or registers related to transmit history or receive history (CnLOPT, CnTGPT, CnLIPT, and CnRGPT) is disabled.
  2. This bit is read-only. Even if 1 is written to the MBON bit while it is 0, the value of the MBON bit does not change, and access to the message buffer registers, or registers related to transmit history or receive history remains disabled.

**Note** The MBON bit is cleared (to 0) when the CAN module enters CAN sleep mode/ CAN stop mode, or when the GOM bit is cleared (to 0). The MBON bit is set (to 1) when the CAN sleep mode/CAN stop mode is released, or when the GOM bit is set (to 1).

EFSD	Bit enabling forced shut down
0	Forced shut down by GOM bit = 0 disabled.
1	Forced shut down by GOM bit = 0 enabled.

- Caution**
1. To request forced shut down, the GOM bit must be cleared to 0 in a subsequent, immediately following access after the EFSD bit has been set to 1. If access to another register (including reading the CnGMCTRL register) is executed without clearing the GOM bit immediately after the



EFSD bit has been set to 1, the EFSD bit is forcibly cleared to 0, and the forced shut down request is invalid.

2. EFSD only works, if no continuous DMA transfer is performed.

GOM	Global operation mode bit
0	CAN module is disabled from operating.
1	CAN module is enabled to operate.

**Caution** The GOM can be cleared only in the initialization mode or immediately after EFSD bit is set (to 1).

#### (b) CnGMCTRL write

15	14	13	12	11	10	9	8
0	0	0	0	0	0	Set EFSD	Set GOM
7	6	5	4	3	2	1	0
0	0	0	0	0	0	0	Clear GOM

Set EFSD	EFSD bit setting
0	No change in EFSD bit.
1	EFSD bit set to 1.

Set GOM	Clear GOM	GOM bit setting
0	1	GOM bit cleared to 0.
1	0	GOM bit set to 1.
Other than above		No change in GOM bit.

**Caution** Set the GOM bit and EFSD bit always separately.

**(2) CnGMCS - CANn global clock selection register**

The CnGMCS register is used to select the CAN module system clock.

**Access** This register can be read/written in 8-bit units.

**Address** <CnRBaseAddr> + 002<sub>H</sub>

**Initial Value** 0F<sub>H</sub>. The register is initialized by any reset.

7	6	5	4	3	2	1	0
0	0	0	0	CCP3	CCP2	CCP1	CCP0

CCP3	CCP2	CCP1	CCP1	CAN module system clock (f <sub>CANMOD</sub> )
0	0	0	0	f <sub>CAN</sub> /1
0	0	0	1	f <sub>CAN</sub> /2
0	0	1	0	f <sub>CAN</sub> /3
0	0	1	1	f <sub>CAN</sub> /4
0	1	0	0	f <sub>CAN</sub> /5
0	1	0	1	f <sub>CAN</sub> /6
0	1	1	0	f <sub>CAN</sub> /7
0	1	1	1	f <sub>CAN</sub> /8
1	0	0	0	f <sub>CAN</sub> /9
1	0	0	1	f <sub>CAN</sub> /10
1	0	1	0	f <sub>CAN</sub> /11
1	0	1	1	f <sub>CAN</sub> /12
1	1	0	0	f <sub>CAN</sub> /13
1	1	0	1	f <sub>CAN</sub> /14
1	1	1	0	f <sub>CAN</sub> /15
1	1	1	1	f <sub>CAN</sub> /16 (default value)

**Note** f<sub>CAN</sub> = clock supplied to CAN

**(3) CnGMABT - CANn global automatic block transmission control register**

The CnGMABT register is used to control the automatic block transmission (ABT) operation.

**Access** This register can be read/written in 16-bit units.

**Address** <CnRBaseAddr> + 006<sub>H</sub>

**Initial Value** 0000<sub>H</sub>. The register is initialized by any reset.

**(a) CnGMABT read**

15	14	13	12	11	10	9	8
0	0	0	0	0	0	0	0
7	6	5	4	3	2	1	0
0	0	0	0	0	0	ABTCLR	ABTTRG

ABTCLR	Automatic block transmission engine clear status bit
0	Clearing the automatic transmission engine is completed.
1	The automatic transmission engine is being cleared.

- Note**
1. Set the ABTCLR bit to 1 while the ABTTRG bit is cleared to 0. The operation is not guaranteed if the ABTCLR bit is set to 1 while the ABTTRG bit is set to 1.
  2. When the automatic block transmission engine is cleared by setting the ABTCLR bit to 1, the ABTCLR bit is automatically cleared to 0 as soon as the requested clearing processing is complete.

ABTTRG	Automatic block transmission status bit
0	Automatic block transmission is stopped.
1	Automatic block transmission is under execution.

- Caution**
1. Do not set the ABTTRG bit (1) in the initialization mode. If the ABTTRG bit is set in the initialization mode, the operation is not guaranteed after the CAN module has entered the normal operation mode with ABT.
  2. Do not set the ABTTRG bit (1) while the CnCTRL.TSTAT bit is set (1). Confirm TSTAT = 0 directly in advance before setting ABTTRG bit.

**(b) CnGMABT write**

15	14	13	12	11	10	9	8
0	0	0	0	0	0	Set ABTCLR	Set ABTTRG
7	6	5	4	3	2	1	0
0	0	0	0	0	0	0	Clear ABTTRG

**Caution** Before changing the normal operation mode with ABT to the initialization mode, be sure to set the CnGMABT register to the default value (0000<sub>H</sub>) and confirm the CnGMABT register is surely initialized to the default value (0000<sub>H</sub>).

Set ABTCLR	Automatic block transmission engine clear request bit
0	The automatic block transmission engine is in idle status or under operation.
1	Request to clear the automatic block transmission engine. After the automatic block transmission engine has been cleared, automatic block transmission is started from message buffer 0 by setting the ABTTRG bit to 1.

Set ABTTRG	Clear ABTTRG	Automatic block transmission start bit
0	1	Request to stop automatic block transmission.
1	0	Request to start automatic block transmission.
Other than above		No change in ABTTRG bit.

**(4) CnGMABTD - CANn global automatic block transmission delay register**

The CnGMABTD register is used to set the interval at which the data of the message buffer assigned to ABT is to be transmitted in the normal operation mode with ABT.

**Access** This register can be read/written in 8-bit units.

**Address** <CnRBaseAddr> + 008<sub>H</sub>

**Initial Value** 00<sub>H</sub>. The register is initialized by any reset.

7	6	5	4	3	2	1	0
0	0	0	0	ABTD3	ABTD2	ABTD1	ABTD0

ABTD3	ABTD2	ABTD1	ABTD0	Data frame interval during automatic block transmission in DBT <sup>a</sup>
0	0	0	0	0 DBT (default value)
0	0	0	1	2 <sup>5</sup> DBT
0	0	1	0	2 <sup>6</sup> DBT
0	0	1	1	2 <sup>7</sup> DBT
0	1	0	0	2 <sup>8</sup> DBT
0	1	0	1	2 <sup>9</sup> DBT
0	1	1	0	2 <sup>10</sup> DBT
0	1	1	1	2 <sup>11</sup> DBT
1	0	0	0	2 <sup>12</sup> DBT
Other than above				Setting prohibited

a) Unit: Data bit time (DBT)

- Caution**
1. Do not change the contents of the CnGMABTD register while the ABTTRG bit is set to 1.
  2. The timing at which the ABT message is actually transmitted onto the CAN bus differs depending on the status of transmission from the other station or how a request to transmit a message other than an ABT message (message buffers 8 to 31) is made.

**(5) CnMASKaL, CnMASKaH - CANn module mask control register (a = 1 to 4)**

The CnMASKaL and CnMASKaH registers are used to extend the number of receivable messages into the same message buffer by masking part of the identifier (ID) comparison of a message and invalidating the ID of the masked part.

**(a) CANn module mask 1 register (CnMASK1L, CnMASK1H)**

**Access** These registers can be read/written in 16-bit units.

**Address** CnMASK1L: <CnRBaseAddr> + 040<sub>H</sub>  
CnMASK1H: <CnRBaseAddr> + 042<sub>H</sub>

**Initial Value** Undefined.

CnMASK1L

15	14	13	12	11	10	9	8
CMID15	CMID14	CMID13	CMID12	CMID11	CMID10	CMID9	CMID8
7	6	5	4	3	2	1	0
CMID7	CMID6	CMID5	CMID4	CMID3	CMID2	CMID1	CMID0

CnMASK1H

15	14	13	12	11	10	9	8
0	0	0	CMID28	CMID27	CMID26	CMID25	CMID24
7	6	5	4	3	2	1	0
CMID23	CMID22	CMID21	CMID20	CMID19	CMID18	CMID17	CMID16

**(b) CANn module mask 2 register (CnMASK2L, CnMASK2H)**

**Access** These registers can be read/written in 16-bit units.

**Address** CnMASK2L: <CnRBaseAddr> + 044<sub>H</sub>  
CnMASK2H: <CnRBaseAddr> + 046<sub>H</sub>

**Initial Value** Undefined.

CnMASK2L

15	14	13	12	11	10	9	8
CMID15	CMID14	CMID13	CMID12	CMID11	CMID10	CMID9	CMID8
7	6	5	4	3	2	1	0
CMID7	CMID6	CMID5	CMID4	CMID3	CMID2	CMID1	CMID0

CnMASK2H

15	14	13	12	11	10	9	8
0	0	0	CMID28	CMID27	CMID26	CMID25	CMID24
7	6	5	4	3	2	1	0
CMID23	CMID22	CMID21	CMID20	CMID19	CMID18	CMID17	CMID16

**(c) CANn module mask 3 register (CnMASK3L, CnMASK3H)**

**Access** These registers can be read/written in 16-bit units.

**Address** CnMASK3L: <CnRBaseAddr> + 048<sub>H</sub>  
 CnMASK3H: <CnRBaseAddr> + 04A<sub>H</sub>

**Initial Value** Undefined.

CnMASK3L

15	14	13	12	11	10	9	8
CMID15	CMID14	CMID13	CMID12	CMID11	CMID10	CMID9	CMID8
7	6	5	4	3	2	1	0
CMID7	CMID6	CMID5	CMID4	CMID3	CMID2	CMID1	CMID0

CnMASK3H

15	14	13	12	11	10	9	8
0	0	0	CMID28	CMID27	CMID26	CMID25	CMID24
7	6	5	4	3	2	1	0
CMID23	CMID22	CMID21	CMID20	CMID19	CMID18	CMID17	CMID16

**(d) CANn module mask 4 register (CnMASK4L, CnMASK4H)**

**Access** These registers can be read/written in 16-bit units.

**Address** CnMASK4L: <CnRBaseAddr> + 04C<sub>H</sub>  
 CnMASK4H: <CnRBaseAddr> + 04E<sub>H</sub>

**Initial Value** Undefined.

CnMASK4L

15	14	13	12	11	10	9	8
CMID15	CMID14	CMID13	CMID12	CMID11	CMID10	CMID9	CMID8
7	6	5	4	3	2	1	0
CMID7	CMID6	CMID5	CMID4	CMID3	CMID2	CMID1	CMID0

CnMASK4H

15	14	13	12	11	10	9	8
0	0	0	CMID28	CMID27	CMID26	CMID25	CMID24
7	6	5	4	3	2	1	0
CMID23	CMID22	CMID21	CMID20	CMID19	CMID18	CMID17	CMID16

CMID28 to CMID0	Mask pattern setting of ID bit
0	The ID bits of the message buffer set by the CMID28 to CMID0 bits are compared with the ID bits of the received message frame.
1	The ID bits of the message buffer set by the CMID28 to CMID0 bits are not compared with the ID bits of the received message frame (they are masked).

**Note** Masking is always defined by an ID length of 29 bits. If a mask is assigned to a message with a standard ID, the CMID17 to CMID0 bits are ignored. Therefore, only the CMID28 to CMID18 bits of the received ID are masked. The same mask can be used for both the standard and extended IDs.

**(6) CnCTRL - CANn module control register**

The CnCTRL register is used to control the operation mode of the CAN module.

**Access** This register can be read/written in 16-bit units.

**Address** <CnRBaseAddr> + 050<sub>H</sub>

**Initial Value** 0000<sub>H</sub>. The register is initialized by any reset.

**(a) CnCTRL read**

15	14	13	12	11	10	9	8
0	0	0	0	0	0	RSTAT	TSTAT
7	6	5	4	3	2	1	0
CCERC	AL	VALID	PSMODE1	PSMODE0	OPMODE2	OPMODE1	OPMODE0

RSTAT	Reception status bit
0	Reception is stopped.
1	Reception is in progress.

- Note**
- The RSTAT bit is set to 1 under the following conditions (timing)
    - The SOF bit of a receive frame is detected
    - On occurrence of arbitration loss during a transmit frame
  - The RSTAT bit is cleared to 0 under the following conditions (timing)
    - When a recessive level is detected at the second bit of the interframe space
    - On transition to the initialization mode at the first bit of the interframe space

TSTAT	Transmission status bit
0	Transmission is stopped.
1	Transmission is in progress.

- Note**
- The TSTAT bit is set to 1 under the following conditions (timing)
    - The SOF bit of a transmit frame is detected
  - The TSTAT bit is cleared to 0 under the following conditions (timing)
    - During transition to bus-off state
    - On occurrence of arbitration loss in transmit frame
    - On detection of recessive level at the second bit of the interframe space
    - On transition to the initialization mode at the first bit of the interframe space



CCERC	Error counter clear bit
0	The CnERC and CnINFO registers are not cleared in the initialization mode.
1	The CnERC and CnINFO registers are cleared in the initialization mode.

- Note**
1. The CCERC bit is used to clear the CnERC and CnINFO registers for re-initialization or forced recovery from the bus-off state. This bit can be set to 1 only in the initialization mode.
  2. When the CnERC and CnINFO registers have been cleared, the CCERC bit is also cleared to 0 automatically.
  3. The CCERC bit can be set to 1 at the same time as a request to change the initialization mode to an operation mode is made.
  4. The CCERC bit is read-only in the CAN sleep mode or CAN stop mode.
  5. The receive data may be corrupted in case of setting the CCERC bit to (1) immediately after entering the INIT mode from self-test mode.

AL	Bit to set operation in case of arbitration loss
0	Re-transmission is not executed in case of an arbitration loss in the single-shot mode.
1	Re-transmission is executed in case of an arbitration loss in the single-shot mode.

- Note** The AL bit is valid only in the single-shot mode.

VALID	Valid receive message frame detection bit
0	A valid message frame has not been received since the VALID bit was last cleared to 0.
1	A valid message frame has been received since the VALID bit was last cleared to 0.

- Note**
1. Detection of a valid receive message frame is not dependent upon storage in the receive message buffer (data frame) or transmit message buffer (remote frame).
  2. Clear the VALID bit (0) before changing the initialization mode to an operation mode.
  3. If only two CAN nodes are connected to the CAN bus with one transmitting a message frame in the normal mode and the other in the receive-only mode, the VALID bit is not set to 1 before the transmitting node enters the error passive state, because in receive-only mode no acknowledge is generated.
  4. To clear the VALID bit, set the Clear VALID bit to 1 first and confirm that the VALID bit is cleared. If it is not cleared, perform clearing processing again.

PSMODE1	PSMODE0	Power save mode
0	0	No power save mode is selected.
0	1	CAN sleep mode
1	0	Setting prohibited
1	1	CAN stop mode

- Caution**
1. Transition to and from the CAN stop mode must be made via CAN sleep mode. A request for direct transition to and from the CAN stop mode is ignored.
  2. The MBON flag of CnGMCTRL must be checked after releasing a power save mode, prior to access the message buffers again.
  3. CAN sleep mode requests are kept pending, until cancelled by software or entered on appropriate bus condition (bus idle). Software can check the actual status by reading PSMODE.

OPMODE2	OPMODE1	OPMODE0	Operation mode
0	0	0	No operation mode is selected (CAN module is in the initialization mode).
0	0	1	Normal operation mode
0	1	0	Normal operation mode with automatic block transmission function (normal operation mode with ABT)
0	1	1	Receive-only mode
1	0	0	Single-shot mode
1	0	1	Self-test mode
Other than above			Setting prohibited

- Caution**
- Transit to initialization mode or power saving modes may take some time. Be sure to verify the success of mode change by reading the values, before proceeding.

- Note**
- The OPMODE0 to OPMODE2 bits are read-only in the CAN sleep mode or CAN stop mode.

**(b) CnCTRL write**

15	14	13	12	11	10	9	8
Set CCERC	Set AL	0	Set PSMODE1	Set PSMODE0	Set OPMODE2	Set OPMODE1	Set OPMODE0
7	6	5	4	3	2	1	0
0	Clear AL	Clear VALID	Clear PSMODE1	Clear PSMODE0	Clear OPMODE2	Clear OPMODE1	Clear OPMODE0

Set CCERC	Setting of CCERC bit
1	CCERC bit is set to 1.
Other than above	CCERC bit is not changed.

Set AL	Clear AL	Setting of AL bit
0	1	AL bit is cleared to 0.
1	0	AL bit is set to 1.
Other than above		AL bit is not changed.

Clear VALID	Setting of VALID bit
0	VALID bit is not changed.
1	VALID bit is cleared to 0.

Set PSMODE0	Clear PSMODE0	Setting of PSMODE0 bit
0	1	PSMODE0 bit is cleared to 0.
1	0	PSMODE0 bit is set to 1.
Other than above		PSMODE0 bit is not changed.

Set PSMODE1	Clear PSMODE1	Setting of PSMODE1 bit
0	1	PSMODE1 bit is cleared to 0.
1	0	PSMODE1 bit is set to 1.
Other than above		PSMODE1 bit is not changed.

Set OPMODE0	Clear OPMODE0	Setting of OPMODE0 bit
0	1	OPMODE0 bit is cleared to 0.
1	0	OPMODE0 bit is set to 1.
Other than above		OPMODE0 bit is not changed.

Set OPMODE1	Clear OPMODE1	Setting of OPMODE1 bit
0	1	OPMODE1 bit is cleared to 0.
1	0	OPMODE1 bit is set to 1.
Other than above		OPMODE1 bit is not changed.

Set OPMODE2	Clear OPMODE2	Setting of OPMODE2 bit
0	1	OPMODE2 bit is cleared to 0.
1	0	OPMODE2 bit is set to 1.
Other than above		OPMODE2 bit is not changed.

### (7) CnLEC - CANn module last error information register

The CnLEC register provides the error information of the CAN protocol.

**Access** This register can be read/written in 8-bit units.

**Address** <CnRBaseAddr> + 052<sub>H</sub>

**Initial Value** 00<sub>H</sub>. The register is initialized by any reset.

7	6	5	4	3	2	1	0
0	0	0	0	0	LEC2	LEC1	LEC0

- Note**
1. The contents of the CnLEC register are not cleared when the CAN module changes from an operation mode to the initialization mode.
  2. If an attempt is made to write a value other than 00<sub>H</sub> to the CnLEC register by software, the access is ignored.

LEC2	LEC1	LEC0	Last CAN protocol error information
0	0	0	No error
0	0	1	Stuff error
0	1	0	Form error
0	1	1	ACK error
1	0	0	Bit error. (The CAN module tried to transmit a recessive-level bit as part of a transmit message (except the arbitration field), but the value on the CAN bus is a dominant-level bit.)
1	0	1	Bit error. (The CAN module tried to transmit a dominant-level bit as part of a transmit message, ACK bit, error frame, or overload frame, but the value on the CAN bus is a recessive-level bit.)
1	1	0	CRC error
1	1	1	Undefined

**(8) CnINFO - CANn module information register**

The CnINFO register indicates the status of the CAN module.

**Access** This register is read-only in 8-bit units.

**Address** <CnRBaseAddr> + 053<sub>H</sub>

**Initial Value** 00<sub>H</sub>. The register is initialized by any reset.

7	6	5	4	3	2	1	0
0	0	0	BOFF	TECS1	TECS0	RECS1	RECS0

BOFF	Bus-off state bit
0	Not bus-off state (transmit error counter $\leq 255$ ). (The value of the transmit counter is less than 256.)
1	Bus-off state (transmit error counter $> 255$ ). (The value of the transmit counter is 256 or more.)

TECS1	TECS0	Transmission error counter status bit
0	0	The value of the transmission error counter is less than that of the warning level ( $< 96$ ).
0	1	The value of the transmission error counter is in the range of the warning level (96 to 127).
1	0	Undefined
1	1	The value of the transmission error counter is in the range of the error passive or bus-off status ( $\geq 128$ ).

RECS1	RECS0	Reception error counter status bit
0	0	The value of the reception error counter is less than that of the warning level ( $< 96$ ).
0	1	The value of the reception error counter is in the range of the warning level (96 to 127).
1	0	Undefined
1	1	The value of the reception error counter is in the error passive range ( $\geq 128$ ).

**(9) CnERC - CANn module error counter register**

The CnERC register indicates the count value of the transmission/reception error counter.

**Access** This register is read-only in 16-bit units.

**Address** <CnRBaseAddr> + 054<sub>H</sub>

**Initial Value** 0000<sub>H</sub>. The register is initialized by any reset.

15	14	13	12	11	10	9	8
REPS	REC6	REC5	REC4	REC3	REC2	REC1	REC0
7	6	5	4	3	2	1	0
TEC7	TEC6	TEC5	TEC4	TEC3	TEC2	TEC1	TEC0

REPS	Reception error passive status bit
0	The reception error counter is not in the error passive range (< 128)
1	The reception error counter is in the error passive range ( $\geq$ 128)

REC6 to REC0	Reception error counter bit
0 to 127	Number of reception errors. These bits reflect the status of the reception error counter. The number of errors is defined by the CAN protocol.

**Note** REC6 to REC0 of the reception error counter are invalid in the reception error passive state (CnINFO.RECS[1:0] = 11<sub>B</sub>).

TEC7 to TEC0	Transmission error counter bit
0 to 255	Number of transmission errors. These bits reflect the status of the transmission error counter. The number of errors is defined by the CAN protocol.

**Note** The TEC7 to TEC0 bits of the transmission error counter are invalid in the bus-off state (CnINFO.BOFF = 1).

**(10) CnIE - CANn module interrupt enable register**

The CnIE register is used to enable or disable the interrupts of the CAN module.

**Access** This register can be read/written in 16-bit units.

**Address** <CnRBaseAddr> + 056<sub>H</sub>

**Initial Value** 0000<sub>H</sub>. The register is initialized by any reset.

**(a) CnIE read**

15	14	13	12	11	10	9	8
0	0	0	0	0	0	0	0
7	6	5	4	3	2	1	0
0	0	CIE5	CIE4	CIE3	CIE2	CIE1	CIE0

CIE5 to CIE0	CAN module interrupt enable bit
0	Output of the interrupt corresponding to interrupt status register CINTSx is disabled.
1	Output of the interrupt corresponding to interrupt status register CINTSx is enabled.

**(b) CnIE write**

15	14	13	12	11	10	9	8
0	0	Set CIE5	Set CIE4	Set CIE3	Set CIE2	Set CIE1	Set CIE0
7	6	5	4	3	2	1	0
0	0	Clear CIE5	Clear CIE4	Clear CIE3	Clear CIE2	Clear CIE1	Clear CIE0

Set CIE5	Clear CIE5	Setting of CIE5 bit
0	1	CIE5 bit is cleared to 0.
1	0	CIE5 bit is set to 1.
Other than above		CIE5 bit is not changed.

Set CIE4	Clear CIE4	Setting of CIE4 bit
0	1	CIE4 bit is cleared to 0.
1	0	CIE4 bit is set to 1.
Other than above		CIE4 bit is not changed.

Set CIE3	Clear CIE3	Setting of CIE3 bit
0	1	CIE3 bit is cleared to 0.
1	0	CIE3 bit is set to 1.
Other than above		CIE3 bit is not changed.

Set CIE2	Clear CIE2	Setting of CIE2 bit
0	1	CIE2 bit is cleared to 0.
1	0	CIE2 bit is set to 1.
Other than above		CIE2 bit is not changed.

Set CIE1	Clear CIE1	Setting of CIE1 bit
0	1	CIE1 bit is cleared to 0.
1	0	CIE1 bit is set to 1.
Other than above		CIE1 bit is not changed.

Set CIE0	Clear CIE0	Setting of CIE0 bit
0	1	CIE0 bit is cleared to 0.
1	0	CIE0 bit is set to 1.
Other than above		CIE0 bit is not changed.



**(11) CnINTS - CANn module interrupt status register**

The CnINTS register indicates the interrupt status of the CAN module.

**Access** This register can be read/written in 16-bit units.

**Address** <CnRBaseAddr> + 058<sub>H</sub>

**Initial Value** 0000<sub>H</sub>. The register is initialized by any reset.

**(a) CnINTS read**

15	14	13	12	11	10	9	8
0	0	0	0	0	0	0	0
7	6	5	4	3	2	1	0
0	0	CINTS5	CINTS4	CINTS3	CINTS2	CINTS1	CINTS0

CINTS5 to CINTS0	CAN interrupt status bit
0	No related interrupt source event is pending.
1	A related interrupt source event is pending.

Interrupt status bit	Related interrupt source event
CINTS5	Wakeup interrupt from CAN sleep mode <sup>a</sup>
CINTS4	Arbitration loss interrupt
CINTS3	CAN protocol error interrupt
CINTS2	CAN error status interrupt
CINTS1	Interrupt on completion of reception of valid message frame to message buffer m
CINTS0	Interrupt on normal completion of transmission of message frame from message buffer m

a) The CINTS5 bit is set only when the CAN module is woken up from the CAN sleep mode by a CAN bus operation. The CINTS5 bit is not set when the CAN sleep mode has been released by software.

**(b) CnINTS write**

15	14	13	12	11	10	9	8
0	0	0	0	0	0	0	0
7	6	5	4	3	2	1	0
0	0	Clear CINTS5	Clear CINTS4	Clear CINTS3	Clear CINTS2	Clear CINTS1	Clear CINTS0

Clear CINTS5 to CINTS0	Setting of CINTS5 to CINTS0 bits
0	CINTS5 to CINTS0 bits are not changed.
1	CINTS5 to CINTS0 bits are cleared to 0.

**Caution** Please clear the status bit of this register with software when the confirmation of each status is necessary in the interrupt processing, because these bits are not cleared automatically.

**(12) CnBRP - CANn module bit rate prescaler register**

The CnBRP register is used to select the CAN protocol layer basic system clock ( $f_{TQ}$ ). The communication baud rate is set to the CnBTR register.

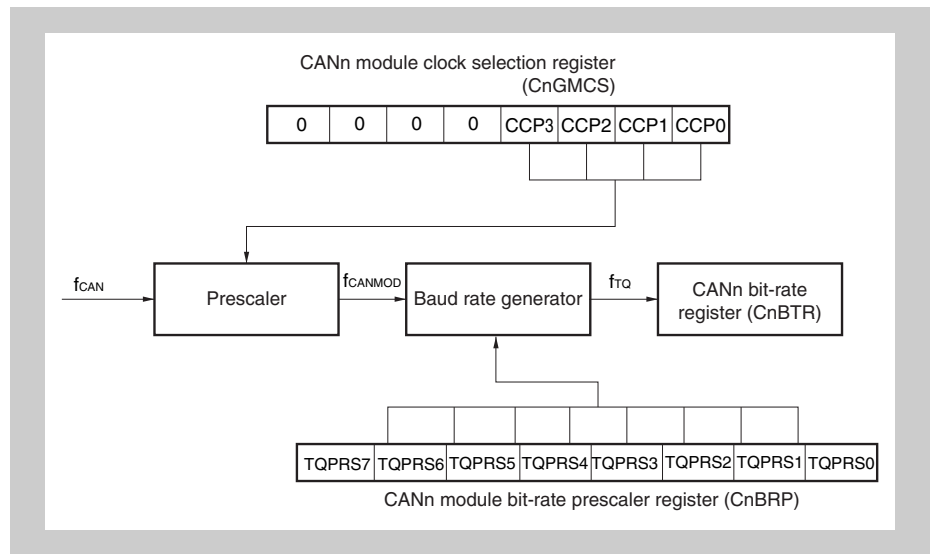
**Access** This register can be read/written in 8-bit units.

**Address** <CnRBaseAddr> + 05A<sub>H</sub>

**Initial Value** FF<sub>H</sub>. The register is initialized by any reset.

7	6	5	4	3	2	1	0
TQPRS7	TQPRS6	TQPRS5	TQPRS4	TQPRS3	TQPRS2	TQPRS1	TQPRS0

TQPRS7 to TQPRS0	CAN protocol layer base system clock ( $f_{TQ}$ )
0	$f_{CANMOD}/1$
1	$f_{CANMOD}/2$
n	$f_{CANMOD}/(n+1)$
:	:
255	$f_{CANMOD}/256$ (default value)



**Figure 20-24** CAN module clock

- Note**
- $f_{CAN}$ : clock supplied to CAN
  - $f_{CANMOD}$ : CAN module system clock
  - $f_{TQ}$ : CAN protocol layer basic system clock

**Caution** The CnBRP register can be write-accessed only in the initialization mode.

**(13) CnBTR - CANn module bit rate register**

The CnBTR register is used to control the data bit time of the communication baud rate.

**Access** This register can be read/written in 16-bit units.

**Address** <CnRBaseAddr> + 05C<sub>H</sub>

**Initial Value** 370F<sub>H</sub>. The register is initialized by any reset.

15	14	13	12	11	10	9	8
0	0	SJW1	SJW0	0	TSEG22	TSEG21	TSEG20
7	6	5	4	3	2	1	0
0	0	0	0	TSEG13	TSEG12	TSEG11	TSEG10

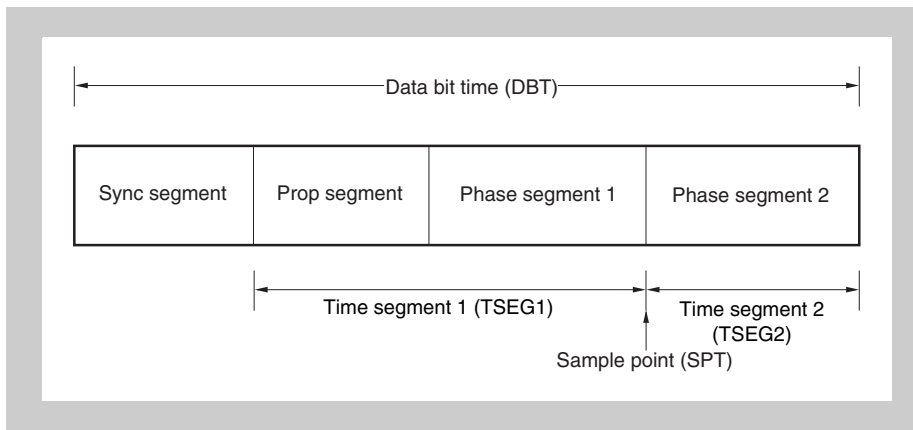


Figure 20-25 Data bit time

SJW1	SJW0	Length of synchronization jump width
0	0	1T <sub>Q</sub>
0	1	2T <sub>Q</sub>
1	0	3T <sub>Q</sub>
1	1	4T <sub>Q</sub> (default value)

TSEG22	TSEG21	TSEG20	Length of time segment 2
0	0	0	1T <sub>Q</sub>
0	0	1	2T <sub>Q</sub>
0	1	0	3T <sub>Q</sub>
0	1	1	4T <sub>Q</sub>
1	0	0	5T <sub>Q</sub>
1	0	1	6T <sub>Q</sub>
1	1	0	7T <sub>Q</sub>
1	1	1	8T <sub>Q</sub> (default value)

TSEG13	TSEG12	TSEG11	TSEG10	Length of time segment 1
0	0	0	0	Setting prohibited
0	0	0	1	$2T_Q^a$
0	0	1	0	$3T_Q^a$
0	0	1	1	$4T_Q$
0	1	0	0	$5T_Q$
0	1	0	1	$6T_Q$
0	1	1	0	$7T_Q$
0	1	1	1	$8T_Q$
1	0	0	0	$9T_Q$
1	0	0	1	$10T_Q$
1	0	1	0	$11T_Q$
1	0	1	1	$12T_Q$
1	1	0	0	$13T_Q$
1	1	0	1	$14T_Q$
1	1	1	0	$15T_Q$
1	1	1	1	$16T_Q$ (default value)

a) This setting must not be made when the CnBRP register =  $00_H$

**Note**  $T_Q = 1/f_{TQ}$  ( $f_{TQ}$ : CAN protocol layer basic system clock)

#### (14) CnLIPT - CANn module last in-pointer register

The CnLIPT register indicates the number of the message buffer in which a data frame or a remote frame was last stored.

**Access** This register is read-only in 8-bit units.

**Address**  $\langle \text{CnRBaseAddr} \rangle + 05E_H$

**Initial Value** Undefined.

7	6	5	4	3	2	1	0
LIPT7	LIPT6	LIPT5	LIPT4	LIPT3	LIPT2	LIPT1	LIPT0

LIPT7 to LIPT0	Last in-pointer register (CnLIPT)
0 to 31	When the CnLIPT register is read, the contents of the element indexed by the last in-pointer (LIPT) of the receive history list are read. These contents indicate the number of the message buffer in which a data frame or a remote frame was last stored.

**Note** The read value of the CnLIPT register is undefined if a data frame or a remote frame has never been stored in the message buffer. If the RHPM bit of the CnRGPT register is set to 1 after the CAN module has changed from the initialization mode to an operation mode, therefore, the read value of the CnLIPT register is undefined.

**(15) CnRGPT - CANn module receive history list register**

The CnRGPT register is used to read the receive history list.

**Access** This register can be read/written in 16-bit units.

**Address** <CnRBaseAddr> + 060<sub>H</sub>

**Initial Value** xx02<sub>H</sub>. The register is initialized by any reset.

**(a) CnRGPT read**

15	14	13	12	11	10	9	8
RGPT7	RGPT6	RGPT5	RGPT4	RGPT3	RGPT2	RGPT1	RGPT0
7	6	5	4	3	2	1	0
0	0	0	0	0	0	RHPM	ROVF

RGPT7 to RGPT0	Receive history list read pointer
0 to 31	When the CnRGPT register is read, the contents of the element indexed by the receive history list get pointer (RGPT) of the receive history list are read. These contents indicate the number of the message buffer in which a data frame or a remote frame has been stored.

RHPM <sup>a</sup>	Receive history list pointer match
0	The receive history list has at least one message buffer number that has not been read.
1	The receive history list has no message buffer numbers that have not been read.

a) The read value of the RGPT0 to RGPT7 bits is invalid when the RHPM bit = 1.

ROVF <sup>a</sup>	Receive history list overflow bit
0	All the message buffer numbers that have not been read are preserved. All the numbers of the message buffers in which a new data frame or remote frame has been received and stored are recorded to the receive history list (the receive history list has a vacant element).
1	At least 23 entries have been stored since the host processor has serviced the RHL last time (i.e. read CnRGPT). The first 22 entries are sequentially stored while the last entry can have been overwritten whenever newly received message is stored because all buffer numbers are stored at position LIPT-1 when ROVF bit is set. Thus the sequence of receptions can not be recovered completely now.

a) If ROVF is set, RHPM is no longer cleared on message storage, but RHPM is still set, if all entries of CnRGPT are read by software.

**(b) CnRGPT write**

15	14	13	12	11	10	9	8
0	0	0	0	0	0	0	0
7	6	5	4	3	2	1	0
0	0	0	0	0	0	0	Clear ROVF

Clear ROVF	Setting of ROVF bit
0	ROVF bit is not changed.
1	ROVF bit is cleared to 0.

**(16) CnLOPT - CANn module last out-pointer register**

The CnLOPT register indicates the number of the message buffer to which a data frame or a remote frame was transmitted last.

**Access** This register is read-only in 8-bit units.

**Address** <CnRBaseAddr> + 062<sub>H</sub>

**Initial Value** Undefined

7	6	5	4	3	2	1	0
LOPT7	LOPT6	LOPT5	LOPT4	LOPT3	LOPT2	LOPT1	LOPT0

LOPT7 to LOPT0	Last out-pointer of transmit history list (LOPT)
0 to 31	When the CnLOPT register is read, the contents of the element indexed by the last out-pointer (LOPT) of the receive history list are read. These contents indicate the number of the message buffer to which a data frame or a remote frame was transmitted last.

**Note** The value read from the CnLOPT register is undefined if a data frame or remote frame has never been transmitted from a message buffer. If the CnTGPT.THPM bit is set to 1 after the CAN module has changed from the initialization mode to an operation mode, therefore, the read value of the CnLOPT register is undefined.

**(17) CnTGPT - CANn module transmit history list register**

The CnTGPT register is used to read the transmit history list.

**Access** This register can be read/written in 16-bit units.

**Address** <CnRBaseAddr> + 064<sub>H</sub>

**Initial Value** xx02<sub>H</sub>. The register is initialized by any reset.

**(a) CnTGPT read**

15	14	13	12	11	10	9	8
TGPT7	TGPT6	TGPT5	TGPT4	TGPT3	TGPT2	TGPT1	TGPT0
7	6	5	4	3	2	1	0
0	0	0	0	0	0	THPM	TOVF

TGPT7 to TGPT0	Transmit history list read pointer
0 to 31	When the CnTGPT register is read, the contents of the element indexed by the read pointer (TGPT) of the transmit history list are read. These contents indicate the number of the message buffer to which a data frame or a remote frame was transmitted last.

THPM <sup>a</sup>	Transmit history pointer match
0	The transmit history list has at least one message buffer number that has not been read.
1	The transmit history list has no message buffer numbers that have not been read.

a) The read value of the TGPT0 to TGPT7 bits is invalid when the THPM bit = 1.

TOVF <sup>a</sup>	Transmit history list overflow bit
0	All the message buffer numbers that have not been read are preserved. All the numbers of the message buffers to which a new data frame or remote frame has been transmitted are recorded to the transmit history list (the transmit history list has a vacant element).
1	At least 7 entries have been stored since the host processor has serviced the THL last time (i.e. read CnTGPT). The first 6 entries are sequentially stored while the last entry can have been overwritten whenever a message is newly transmitted because all buffer numbers are stored at position LOPT-1 when TOVF bit is set. Thus the sequence of transmissions can not be recovered completely now.

a) If TOVF is set, THPM is no longer cleared on message transmission, but THPM is still set, if all entries of CnTGPT are read by software.

**Note** Transmission from message buffers 0 to 7 is not recorded to the transmit history list in the normal operation mode with ABT.

**(b) CnTGPT write**

15	14	13	12	11	10	9	8
0	0	0	0	0	0	0	0
7	6	5	4	3	2	1	0
0	0	0	0	0	0	0	Clear TOVF

Clear TOVF	Setting of TOVF bit
0	TOVF bit is not changed.
1	TOVF bit is cleared to 0.



**(18) CnTS - CANn module time stamp register**

The CnTS register is used to control the time stamp function.

**Access** This register can be read/written in 16-bit units.

**Address** <CnRBaseAddr> + 066<sub>H</sub>

**Initial Value** 0000<sub>H</sub>. The register is initialized by any reset.

**(a) CnTS read**

15	14	13	12	11	10	9	8
0	0	0	0	0	0	0	0
7	6	5	4	3	2	1	0
0	0	0	0	0	TSLOCK	TSSEL	TSEN

**Note** The lock function of the time stamp function must not be used when the CAN module is in the normal operation mode with ABT.

TSLOCK	Time stamp lock function enable bit
0	Time stamp lock function stopped. The TSOUT signal is toggled each time the selected time stamp capture event occurs.
1	Time stamp lock function enabled. The TSOUT signal is toggled each time the selected time stamp capture event occurs. However, the TSOUT output signal is locked when a data frame has been correctly received to message buffer 0 <sup>a</sup> .

a) The TSEN bit is automatically cleared to 0.

TSSEL	Time stamp capture event selection bit
0	The time capture event is SOF.
1	The time stamp capture event is the last bit of EOF.

TSEN	TSOUT operation setting bit
0	TSOUT toggle operation is disabled.
1	TSOUT toggle operation is enabled.

## (b) CnTS write

15	14	13	12	11	10	9	8
0	0	0	0	0	Set TSLOCK	Set TSSEL	Set TSEN
7	6	5	4	3	2	1	0
0	0	0	0	0	Clear TSLOCK	Clear TSSEL	Clear TSEN

Set TSLOCK	Clear TSLOCK	Setting of TSLOCK bit
0	1	TSLOCK bit is cleared to 0.
1	0	TSLOCK bit is set to 1.
Other than above		TSLOCK bit is not changed.

Set TSSEL	Clear TSSEL	Setting of TSSEL bit
0	1	TSSEL bit is cleared to 0.
1	0	TSSEL bit is set to 1.
Other than above		TSSEL bit is not changed.

Set TSEN	Clear TSEN	Setting of TSEN bit
0	1	TSEN bit is cleared to 0.
1	0	TSEN bit is set to 1.
Other than above		TSEN bit is not changed.

**(19) CnMDATAxm, CnMDATAzm - CANn message data byte register (x = 0 to 7, z = 01, 23, 45, 67)**

The CnMDATAxm, CnMDATAzm registers are used to store the data of a transmit/receive message.

**Access** The CnMDATAzm registers can be read/written in 16-bit units.  
The CnMDATAxm registers can be read/written in 8-bit units.

**Address** Refer to "CAN registers overview" on page 747.

**Initial Value** Undefined.

**CnMDATA01m**

15	14	13	12	11	10	9	8
MDATA0115	MDATA0114	MDATA0113	MDATA0112	MDATA0111	MDATA0110	MDATA0109	MDATA0108
7	6	5	4	3	2	1	0
MDATA0107	MDATA0106	MDATA0105	MDATA0104	MDATA0103	MDATA0102	MDATA0101	MDATA0100

**CnMDATA0m**

7	6	5	4	3	2	1	0
MDATA007	MDATA006	MDATA005	MDATA004	MDATA003	MDATA002	MDATA001	MDATA000

**CnMDATA1m**

7	6	5	4	3	2	1	0
MDATA107	MDATA106	MDATA105	MDATA104	MDATA103	MDATA102	MDATA101	MDATA100

**CnMDATA23m**

15	14	13	12	11	10	9	8
MDATA2315	MDATA2314	MDATA2313	MDATA2312	MDATA2311	MDATA2310	MDATA2309	MDATA2308
7	6	5	4	3	2	1	0
MDATA2307	MDATA2306	MDATA2305	MDATA2304	MDATA2303	MDATA2302	MDATA2301	MDATA2300

**CnMDATA2m**

7	6	5	4	3	2	1	0
MDATA207	MDATA206	MDATA205	MDATA204	MDATA203	MDATA202	MDATA201	MDATA200

**CnMDATA3m**

7	6	5	4	3	2	1	0
MDATA307	MDATA306	MDATA305	MDATA304	MDATA303	MDATA302	MDATA301	MDATA300

## CnMDATA45m

15	14	13	12	11	10	9	8
MDATA4515	MDATA4514	MDATA4513	MDATA4512	MDATA4511	MDATA4510	MDATA459	MDATA458
7	6	5	4	3	2	1	0
MDATA457	MDATA456	MDATA455	MDATA454	MDATA453	MDATA452	MDATA451	MDATA450

## CnMDATA4m

7	6	5	4	3	2	1	0
MDATA47	MDATA46	MDATA45	MDATA44	MDATA43	MDATA42	MDATA41	MDATA40

## CnMDATA5m

7	6	5	4	3	2	1	0
MDATA57	MDATA56	MDATA55	MDATA54	MDATA53	MDATA52	MDATA51	MDATA50

## CnMDATA67m

15	14	13	12	11	10	9	8
MDATA6715	MDATA6714	MDATA6713	MDATA6712	MDATA6711	MDATA6710	MDATA679	MDATA678
7	6	5	4	3	2	1	0
MDATA677	MDATA676	MDATA675	MDATA674	MDATA673	MDATA672	MDATA671	MDATA670

## CnMDATA6m

7	6	5	4	3	2	1	0
MDATA67	MDATA66	MDATA65	MDATA64	MDATA63	MDATA62	MDATA61	MDATA60

## CnMDATA7m

7	6	5	4	3	2	1	0
MDATA77	MDATA76	MDATA75	MDATA74	MDATA73	MDATA72	MDATA71	MDATA70

**(20) CnMDLCm - CANn message data length register m**

The CnMDLCm register is used to set the number of bytes of the data field of a message buffer.

**Access** This register can be read/written in 8-bit units.

**Address** Refer to “CAN registers overview“ on page 747.

**Initial Value** 0000xxxx<sub>B</sub>. The register is initialized by any reset.

7	6	5	4	3	2	1	0
0	0	0	0	MDLC3	MDLC2	MDLC1	MDLC0

MDLC3	MDLC2	MDLC1	MDLC0	Data length of transmit/receive message
0	0	0	0	0 bytes
0	0	0	1	1 byte
0	0	1	0	2 bytes
0	0	1	1	3 bytes
0	1	0	0	4 bytes
0	1	0	1	5 bytes
0	1	1	0	6 bytes
0	1	1	1	7 bytes
1	0	0	0	8 bytes
1	0	0	1	Setting prohibited (If these bits are set during transmission, 8-byte data is transmitted regardless of the set DLC value when a data frame is transmitted. However, the DLC actually transmitted to the CAN bus is the DLC value set to this register.) <sup>Note</sup>
1	0	1	0	
1	0	1	1	
1	1	0	0	
1	1	0	1	
1	1	1	0	
1	1	1	1	

**Note** The data and DLC value actually transmitted to CAN bus are as follows.

Type of transmit frame	Length of transmit data	DLC transmitted
Data frame	Number of bytes specified by DLC (However, 8 bytes if DLC ≥ 8)	MDLC3 to MDLC0 bits
Remote frame	0 bytes	

- Caution**
1. Be sure to set bits 7 to 4 to 0000<sub>B</sub>.
  2. Receive data is stored in as many CnMDATAxm register as the number of bytes (however, the upper limit is 8) corresponding to DLC of the received frame. The CnMDATAxm register in which no data is stored is undefined.

**(21) CnMCONFm - CANn message configuration register m**

The CnMCONFm register is used to specify the type of the message buffer and to set a mask.

**Access** This register can be read/written in 8-bit units.

**Address** Refer to “CAN registers overview“ on page 747.

**Initial Value** Undefined.

7	6	5	4	3	2	1	0
OVS	RTR	MT2	MT1	MT0	0	0	MA0

OVS	Overwrite control bit
0	The message buffer that has already received a data frame <sup>a</sup> is not overwritten by a newly received data frame. The newly received data frame is discarded.
1	The message buffer that has already received a data frame <sup>a</sup> is overwritten by a newly received data frame.

a) The “message buffer that has already received a data frame” is a receive message buffer whose the CnMCTRLm.DN bit has been set to 1.

**Note** A remote frame is received and stored, regardless of the setting of OVS and DN. A remote frame that satisfies the other conditions (ID matches, RTR = 0, TRQ = 0) is always received and stored in the corresponding message buffer (interrupt generated, DN flag set, MDLC[3:0] updated, and recorded to the receive history list).

RTR	Remote frame request bit <sup>a</sup>
0	Transmit a data frame.
1	Transmit a remote frame.

a) The RTR bit specifies the type of message frame that is transmitted from a message buffer defined as a transmit message buffer. Even if a valid remote frame has been received, the RTR bit of the transmit message buffer that has received the frame remains cleared to 0. Even if a remote frame whose ID matches has been received from the CAN bus with the RTR bit of the transmit message buffer set to 1 to transmit a remote frame, that remote frame is not received or stored (interrupt generated, DN flag set, the MDLC0 to MDLC3 bits updated, and recorded to the receive history list).

MT2	MT1	MT0	Message buffer type setting bit
0	0	0	Transmit message buffer
0	0	1	Receive message buffer (no mask setting)
0	1	0	Receive message buffer (mask 1 set)
0	1	1	Receive message buffer (mask 2 set)
1	0	0	Receive message buffer (mask 3 set)
1	0	1	Receive message buffer (mask 4 set)
Other than above			Setting prohibited

MA0	Message buffer assignment bit
0	Message buffer not used.
1	Message buffer used.

---

**Caution** Be sure to write 0 to bits 2 and 1.

---

**(22) CnMIDLm, CnMIDHm - CANn message ID register m**

The CnMIDLm and CnMIDHm registers are used to set an identifier (ID).

**Access** These registers can be read/written in 16-bit units.

**Address** Refer to “CAN registers overview“ on page 747.

**Initial Value** Undefined.

CnMIDLm

15	14	13	12	11	10	9	8
ID15	ID14	ID13	ID12	ID11	ID10	ID9	ID8
7	6	5	4	3	2	1	0
ID7	ID6	ID5	ID4	ID3	ID2	ID1	ID0

CnMIDHm

15	14	13	12	11	10	9	8
IDE	0	0	ID28	ID27	ID26	ID25	ID24
7	6	5	4	3	2	1	0
ID23	ID22	ID21	ID20	ID19	ID18	ID17	ID16

IDE	Format mode specification bit
0	Standard format mode (ID28 to ID18: 11 bits) <sup>a</sup>
1	Extended format mode (ID28 to ID0: 29 bits)

a) The ID17 to ID0 bits are not used.

ID28 to ID0	Message ID
ID28 to ID18	Standard ID value of 11 bits (when IDE = 0)
ID28 to ID0	Extended ID value of 29 bits (when IDE = 1)

- Caution**
1. Be sure to write 0 to bits 14 and 13 of the CnMIDHm register.
  2. Be sure to align the ID value according to the given bit positions into this registers. Note that for standard ID, the ID value must be shifted to fit into ID28 to ID11 bit positions.



**(23) CnMCTRLm - CANn message control register m**

The CnMCTRLm register is used to control the operation of the message buffer.

**Access** This register can be read/written in 16-bit units.

**Address** Refer to "CAN registers overview" on page 747.

**Initial Value** 00x0 0000 0000 0000<sub>B</sub>. The register is initialized by any reset.

**(a) CnMCTRLm read**

15	14	13	12	11	10	9	8
0	0	MUC	0	0	0	0	0
7	6	5	4	3	2	1	0
0	0	0	MOW	IE	DN	TRQ	RDY

MUC <sup>a</sup>	Bit indicating that message buffer data is being updated
0	The CAN module is not updating the message buffer (reception and storage).
1	The CAN module is updating the message buffer (reception and storage).

a) The MUC bit is undefined until the first reception and storage is performed.

MOW <sup>a</sup>	Message buffer overwrite status bit
0	The message buffer is not overwritten by a newly received data frame.
1	The message buffer is overwritten by a newly received data frame.

a) The MOW bit is not set to 1 even if a remote frame is received and stored in the transmit message buffer with the DN bit = 1.

IE	Message buffer interrupt request enable bit
0	Receive message buffer: Valid message reception completion interrupt disabled. Transmit message buffer: Normal message transmission completion interrupt disabled.
1	Receive message buffer: Valid message reception completion interrupt enabled. Transmit message buffer: Normal message transmission completion interrupt enabled.

DN	Message buffer data update bit
0	A data frame or remote frame is not stored in the message buffer.
1	A data frame or remote frame is stored in the message buffer.

TRQ	Message buffer transmission request bit
0	No message frame transmitting request that is pending or being transmitted is in the message buffer.
1	The message buffer is holding transmission of a message frame pending or is transmitting a message frame.

RDY	Message buffer ready bit
0	The message buffer can be written by software. The CAN module cannot write to the message buffer.
1	Writing the message buffer by software is ignored (except a write access to the RDY, TRQ, DN, and MOW bits). The CAN module can write to the message buffer.

**(b) CnMCTRLm write**

15	14	13	12	11	10	9	8
0	0	0	0	Set IE	0	Set TRQ	Set RDY
7	6	5	4	3	2	1	0
0	0	0	Clear MOW	Clear IE	Clear DN	Clear TRQ	Clear RDY

Clear MOW	Setting of MOW bit
0	MOW bit is not changed.
1	MOW bit is cleared to 0.

Set IE	Clear IE	Setting of IE bit
0	1	IE bit is cleared to 0.
1	0	IE bit is set to 1.
Other than above		IE bit is not changed.

Clear DN	Setting of DN bit
1	DN bit is cleared to 0.
0	DN bit is not changed.

Set TRQ	Clear TRQ	Setting of TRQ bit
0	1	TRQ bit is cleared to 0.
1	0	TRQ bit is set to 1.
Other than above		TRQ bit is not changed.

Set RDY	Clear RDY	Setting of RDY bit
0	1	RDY bit is cleared to 0.
1	0	RDY bit is set to 1.
Other than above		RDY bit is not changed.

- 
- Caution**
1. Set IE bit and RDY bit always separately.
  2. Do not set the DN bit to 1 by software. Be sure to write 0 to bit 10.
  3. Do not set the TRQ bit and the RDY bit (1) at the same time. Set the RDY bit (1) before setting the TRQ bit.
  4. Do not clear the RDY bit (0) during message transmission. Follow the transmission abort process about clearing the RDY bit (0) for redefinition of the message buffer.
  5. Clear again when RDY bit is not cleared even if this bit is cleared.
  6. Be sure that RDY is cleared before writing to the other message buffer registers, by checking the status of the RDY bit.
-

## 20.8 CAN Controller Initialization

### 20.8.1 Initialization of CAN module

Before CAN module operation is enabled, the CAN module system clock needs to be determined by setting the CCP[3:0] bits of the CnGMCS register by software. Do not change the setting of the CAN module system clock after CAN module operation is enabled.

The CAN module is enabled by setting the GOM bit of the CnGMCTRL register.

For the procedure of initializing the CAN module, refer to “*Operation of CAN Controller*” on page 829.

### 20.8.2 Initialization of message buffer

After the CAN module is enabled, the message buffers contain undefined values. A minimum initialization for all the message buffers, even for those not used in the application, is necessary before switching the CAN module from the initialization mode to one of the operation modes.

- Clear the RDY, TRQ, and DN bits of all CnMCTRLm registers to 0.
- Clear the MA0 bit of all CnMCONFm registers to 0.

### 20.8.3 Redefinition of message buffer

Redefining a message buffer means changing the ID and control information of the message buffer while a message is being received or transmitted, without affecting other transmission/reception operations.

#### (1) To redefine message buffer in initialization mode

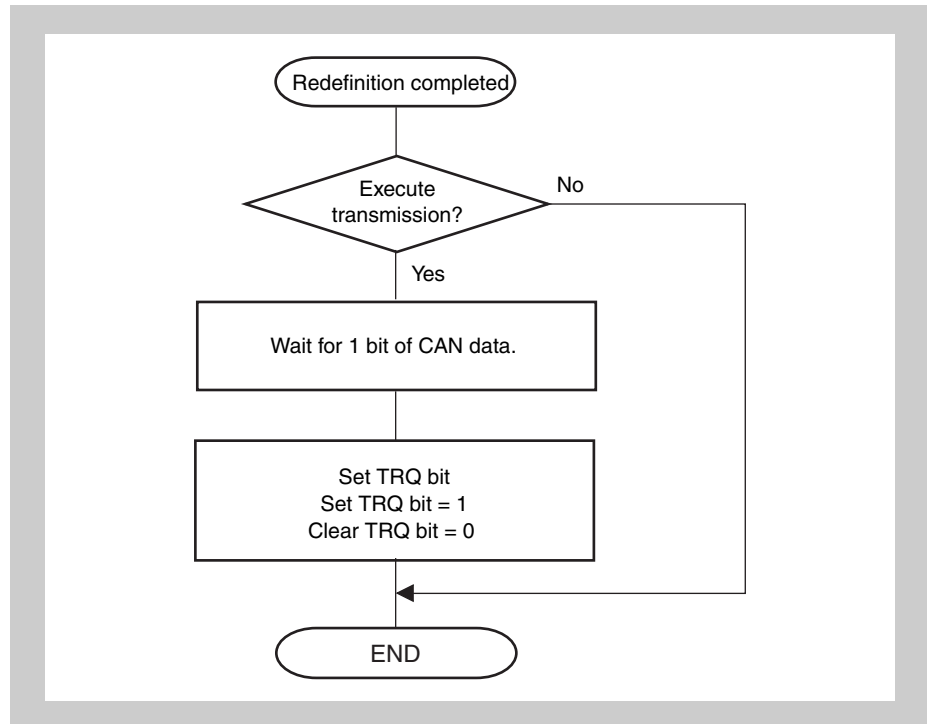
Place the CAN module in the initialization mode once and then change the ID and control information of the message buffer in the initialization mode. After changing the ID and control information, set the CAN module to an operation mode.

#### (2) To redefine message buffer during reception

Perform redefinition as shown in *Figure 20-38*.

#### (3) To redefine message buffer during transmission

To rewrite the contents of a transmit message buffer to which a transmission request has been set, perform transmission abort processing (see “*Transmission abort process except for in normal operation mode with automatic block transmission (ABT)*” on page 808 and “*Transmission abort process except for ABT transmission in normal operation mode with automatic block transmission (ABT)*” on page 808). Confirm that transmission has been aborted or completed, and then redefine the message buffer. After redefining the transmit message buffer, set a transmission request using the procedure described below. When setting a transmission request to a message buffer that has been redefined without aborting the transmission in progress, however, the 1-bit wait time is not necessary.



**Figure 20-26** Setting transmission request (TRQ) to transmit message buffer after redefinition

- Caution**
1. When a message is received, reception filtering is performed in accordance with the ID and mask set to each receive message buffer. If the procedure in *Figure 20-38 on page 832* is not observed, the contents of the message buffer after it has been redefined may contradict the result of reception (result of reception filtering). If this happens, check that the ID and IDE received first and stored in the message buffer following redefinition are those stored after the message buffer has been redefined. If no ID and IDE are stored after redefinition, redefine the message buffer again.
  2. When a message is transmitted, the transmission priority is checked in accordance with the ID, IDE, and RTR bits set to each transmit message buffer to which a transmission request was set. The transmit message buffer having the highest priority is selected for transmission. If the procedure in *Figure 20-26 on page 791* is not observed, a message with an ID not having the highest priority may be transmitted after redefinition.

### 20.8.4 Transition from initialization mode to operation mode

The CAN module can be switched to the following operation modes.

- Normal operation mode
- Normal operation mode with ABT
- Receive-only mode
- Single-shot mode
- Self-test mode

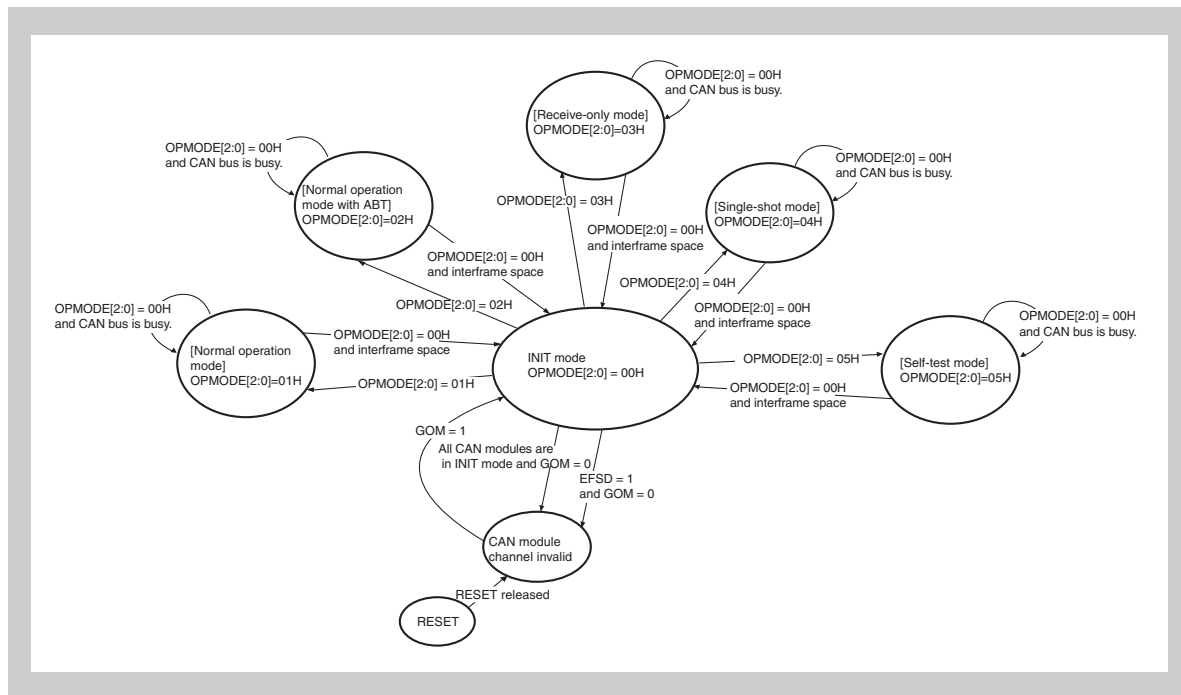


Figure 20-27 Transition to operation modes

The transition from the initialization mode to an operation mode is controlled by the bit string OPMODE[2:0] in the CnCTRL register.

Changing from one operation mode into another requires shifting to the initialization mode in between. Do not change one operation mode to another directly; otherwise the operation will not be guaranteed.

Requests for transition from an operation mode to the initialization mode are held pending when the CAN bus is not in the interframe space (i.e., frame reception or transmission is in progress), and the CAN module enters the initialization mode at the first bit in the interframe space (the values of the OPMODE[2:0] bits are changed to 000<sub>B</sub>). After issuing a request to change the mode to the initialization mode, read the OPMODE[2:0] bits until their value becomes 000<sub>B</sub> to confirm that the module has entered the initialization mode (see Figure 20-36 on page 830).

### 20.8.5 Resetting error counter CnERC of CAN module

If it is necessary to reset the CAN module error counter CnERC and CAN module information register CnINFO when re-initialization or forced recovery from the bus-off status is made, set the CCERC bit of the CnCTRL register to 1 in the initialization mode. When this bit is set to 1, the CnERC and CnINFO registers are cleared to their default values.

## 20.9 Message Reception

### 20.9.1 Message reception

In all the operation modes, the complete message buffer area is analyzed to find a suitable buffer to store a newly received message. All message buffers satisfying the following conditions are included in that evaluation (RX-search process).

- Used as a message buffer  
(MA0 bit of CnMCONFm register set to 1.)
- Set as a receive message buffer  
(MT[2:0] bits of CnMCONFm register are set to 001<sub>B</sub>, 010<sub>B</sub>, 011<sub>B</sub>, 100<sub>B</sub>, or 101<sub>B</sub>.)
- Ready for reception  
(RDY bit of CnMCTRLm register is set to 1.)

When two or more message buffers of the CAN module receive a message, the message is stored according to the priority explained below. The message is always stored in the message buffer with the highest priority, not in a message buffer with a low priority. For example, when an unmasked receive message buffer and a receive message buffer linked to mask 1 have the same ID, the received message is not stored in the message buffer linked to mask 1, even if that message buffer has not received a message and a message has already been received in the unmasked receive message buffer. In other words, when a condition has been set in two or more message buffers with different priorities, the message buffer with the highest priority always stores the message; the message is not stored in message buffers with a lower priority. This also applies when the message buffer with the highest priority is unable to store a message (i.e., when DN = 1 indicating that a message has already been received, but rewriting is disabled because OWS = 0). In this case, the message is not actually stored in the candidate message buffer with the highest priority, but neither is it stored in a message buffer with a lower priority.

Table 20-24 MBRB priorities

Priority	Storing condition if same ID is set	
1 (high)	Unmasked message buffer	DN bit = 0
		DN bit = 1 and OWS bit = 1
2	Message buffer linked to mask 1	DN bit = 0
		DN bit = 1 and OWS bit = 1
3	Message buffer linked to mask 2	DN bit = 0
		DN bit = 1 and OWS bit = 1
4	Message buffer linked to mask 3	DN bit = 0
		DN bit = 1 and OWS bit = 1
5 (low)	Message buffer linked to mask 4	DN bit = 0
		DN bit = 1 and OWS bit = 1



### 20.9.2 Receive data read

To keep data consistency when reading CAN message buffers, perform the data reading according to *Figure 20-49 on page 843* to *Figure 20-52 on page 847*.

During message reception, the CAN module sets DN of the CnMCTRLm register two times: at the beginning of the storage process of data to the message buffer, and again at the end of this storage process. During this storage process, the MUC bit of the CnMCTRLm register of the message buffer is set. (Refer to *Figure 20-28 on page 795*.)

The receive history list is also updated just before the storage process. In addition, during storage process (MUC = 1), the RDY bit of the CnMCTRL register of the message buffer is locked to avoid the coincidental data WR by CPU. Note the storage process may be disturbed (delayed) when the CPU accesses the message buffer.

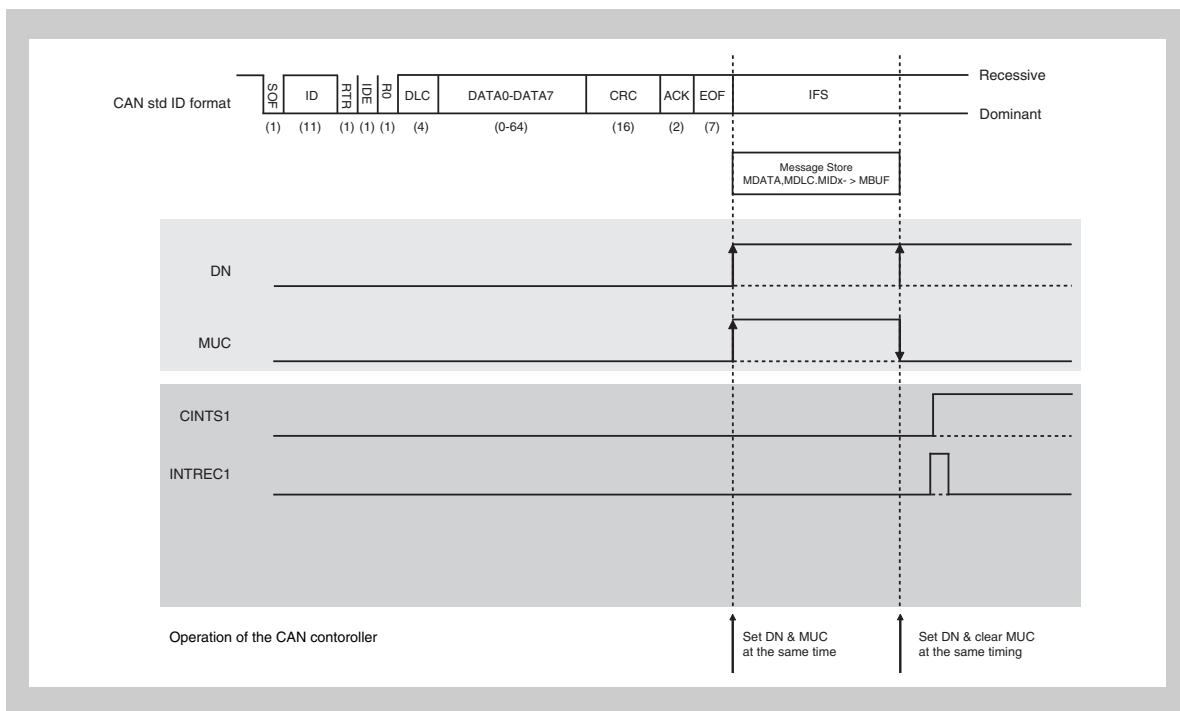


Figure 20-28 DN and MUC bit setting period (for standard ID format)

### 20.9.3 Receive history list function

The receive history list (RHL) function records in the receive history list the number of the receive message buffer in which each data frame or remote frame was received and stored. The RHL consists of storage elements equivalent to up to 23 messages, the last in-message pointer (LIPT) with the corresponding CnLIPT register and the receive history list get pointer (RGPT) with the corresponding CnRGPT register.

The RHL is undefined immediately after the transition of the CAN module from the initialization mode to one of the operation modes.

The CnLIPT register holds the contents of the RHL element indicated by the value of the LIPT pointer minus 1. By reading the CnLIPT register, therefore, the number of the message buffer that received and stored a data frame or remote frame first can be checked. The LIPT pointer is utilized as a write pointer that indicates to what part of the RHL a message buffer number is recorded. Any time a data frame or remote frame is received and stored, the corresponding message buffer number is recorded to the RHL element indicated by the LIPT pointer. Each time recording to the RHL has been completed, the LIPT pointer is automatically incremented. In this way, the number of the message buffer that has received and stored a frame will be recorded chronologically.

The RGPT pointer is utilized as a read pointer that reads a recorded message buffer number from the RHL. This pointer indicates the first RHL element that the CPU has not read yet. By reading the CnRGPT register by software, the number of a message buffer that has received and stored a data frame or remote frame can be read. Each time a message buffer number is read from the CnRGPT register, the RGPT pointer is automatically incremented.

If the value of the RGPT pointer matches the value of the LIPT pointer, the RHPM bit (receive history list pointer match) of the CnRGPT register is set to 1. This indicates that no message buffer number that has not been read remains in the RHL. If a new message buffer number is recorded, the LIPT pointer is incremented and because its value no longer matches the value of the RGPT pointer, the RHPM bit is cleared. In other words, the numbers of the unread message buffers exist in the RHL.

If the LIPT pointer is incremented and matches the value of the RGPT pointer minus 1, the ROVF bit (receive history list overflow) of the CnRGPT register is set to 1. This indicates that the RHL is full of numbers of message buffers that have not been read. When further message reception and storing occur, the last recorded message buffer number is overwritten by the number of the message buffer that received and stored the newly received message. In this case, after the ROVF bit has been set (1), the recorded message buffer numbers in the RHL do not completely reflect the chronological order. However messages itself are not lost and can be located by CPU search in message buffer memory with the help of the DN-bit.

---

**Caution** If the history list is in the overflow condition (ROVF is set), reading the history list contents is still possible, until the history list is empty (indicated by RHPM flag set). Nevertheless, the history list remains in the overflow condition, until ROVF is cleared by software. If ROVF is not cleared, the RHPM flag will also not be updated (cleared) upon a message storage of newly received frame. This may lead to the situation, that RHPM indicates an empty history list, although a reception has taken place, while the history list is in the overflow state (ROVF and RHPM are set).

---

As long as the RHL contains 23 or less entries the sequence of occurrence is maintained. If more receptions occur without reading the RHL by the host processor, complete sequence of receptions can not be recovered.

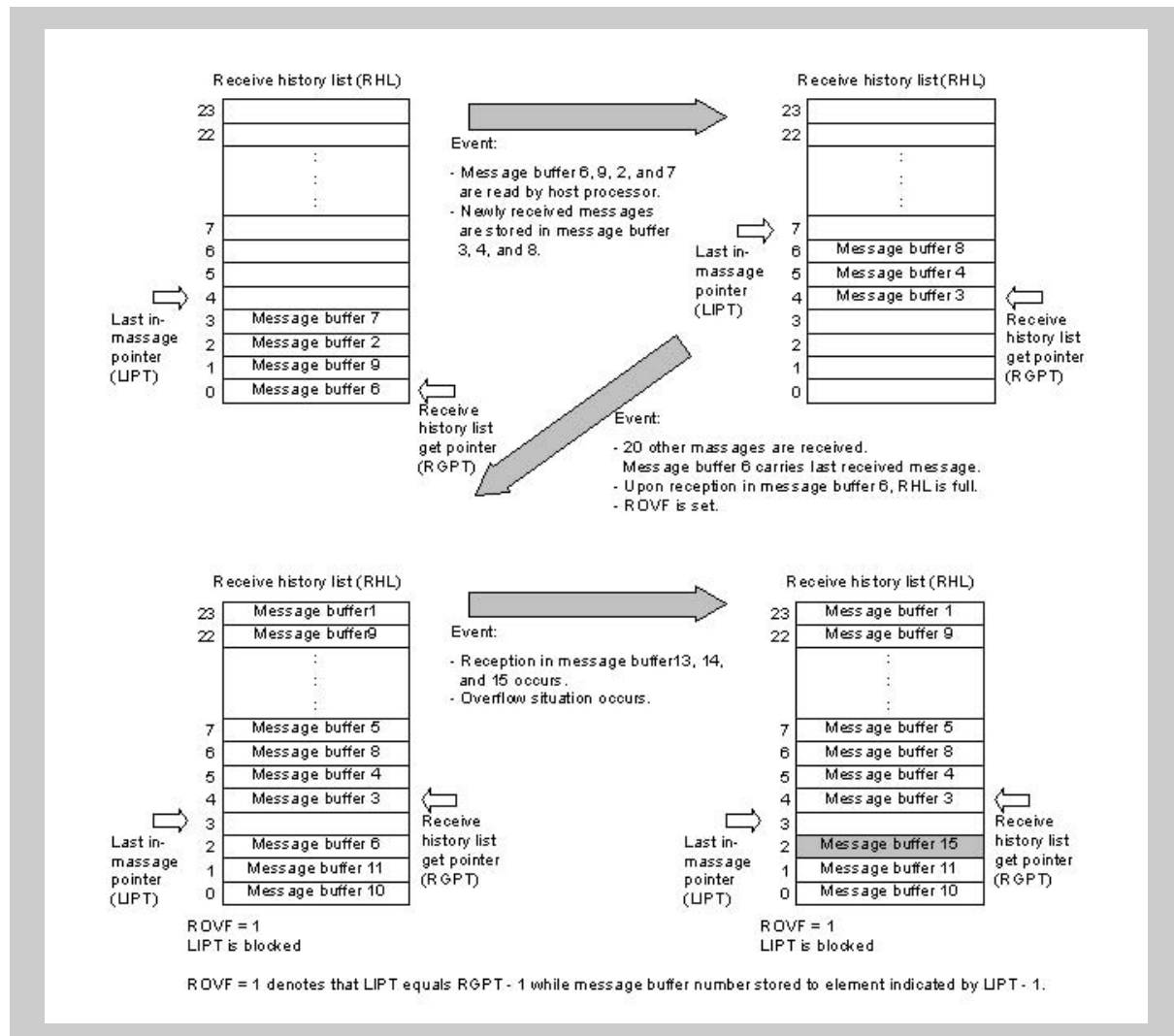


Figure 20-29 Receive history list

### 20.9.4 Mask function

For any message buffer, which is used for reception, the assignment to one of four global reception masks (or no mask) can be selected.

By using the mask function, the message ID comparison can be reduced by masked bits, herewith allowing the reception of several different IDs into one buffer.

While the mask function is in effect, an identifier bit that is defined to be 1 by a mask in the received message is not compared with the corresponding identifier bit in the message buffer.

However, this comparison is performed for any bit whose value is defined as 0 by the mask.

For example, let us assume that all messages that have a standard-format ID, in which bits ID27 to ID25 are 0 and bits ID24 and ID22 are 1, are to be stored in message buffer 14. The procedure for this example is shown below.

#### 1. Identifier to be stored in message buffer

ID28	ID27	ID26	ID25	ID24	ID23	ID22	ID21	ID20	ID19	ID18
x	0	0	0	1	x	1	x	x	x	x

#### 2. Identifier to be configured in message buffer 14 (example) (Using CnMIDL14 and CnMIDH14 registers)

ID28	ID27	ID26	ID25	ID24	ID23	ID22	ID21	ID20	ID19	ID18
x	0	0	0	1	x	1	x	x	x	x
ID17	ID16	ID15	ID14	ID13	ID12	ID11	ID10	ID9	ID8	ID7
x	x	x	x	x	x	x	x	x	x	x
ID6	ID5	ID4	ID3	ID2	ID1	ID0				
x	x	x	x	x	x	x				

- Note**
1. ID with the ID27 to ID25 bits cleared to 0 and the ID24 and ID22 bits set to 1 is registered (initialized) to message buffer 14.
  2. Message buffer 14 is set as a standard format identifier that is linked to mask 1 (MT[2:0] of CnMCONF14 register are set to 010<sub>B</sub>).

#### Mask setting for CAN module 1 (mask 1) (example)

(Using CAN1 address mask 1 registers L and H (C1MASKL1 and C1MASKH1))

CMID28	CMID27	CMID26	CMID25	CMID24	CMID23	CMID22	CMID21	CMID20	CMID19	CMID18
1	0	0	0	0	1	0	1	1	1	1
CMID17	CMID16	CMID15	CMID14	CMID13	CMID12	CMID11	CMID10	CMID9	CMID8	CMID7
1	1	1	1	1	1	1	1	1	1	1
CMID6	CMID5	CMID4	CMID3	CMID2	CMID1	CMID0				
1	1	1	1	1	1	1				

- 1: Not compared (masked)  
0: Compared

The CMID27 to CMID24 and CMID22 bits are cleared to 0, and the CMID28, CMID23, and CMID21 to CMID0 bits are set to 1.

### 20.9.5 Multi buffer receive block function

The multi buffer receive block (MBRB) function is used to store a block of data in two or more message buffers sequentially with no CPU interaction, by setting the same ID to two or more message buffers with the same message buffer type. These message buffers can be allocated anywhere in the message buffer memory, they do not even have to follow each other adjacently.

Suppose, for example, the same message buffer type is set to 10 message buffers, message buffers 10 to 19, and the same ID is set to each message buffer. If the first message whose ID matches an ID of the message buffers is received, it is stored in message buffer 10. At this point, the DN bit of message buffer 10 is set, prohibiting overwriting the message buffer when subsequent messages are received.

When the next message with a matching ID is received, it is received and stored in message buffer 11. Each time a message with a matching ID is received, it is sequentially (in the ascending order) stored in message buffers 12, 13, and so on. Even when a data block consisting of multiple messages is received, the messages can be stored and received without overwriting the previously received matching-ID data.

Whether a data block has been received and stored can be checked by setting the IE bit of the CnMCTRLm register of each message buffer. For example, if a data block consists of k messages, k message buffers are initialized for reception of the data block. The IE bit in message buffers 0 to (k-2) is cleared to 0 (interrupts disabled), and the IE bit in message buffer k-1 is set to 1 (interrupts enabled). In this case, a reception completion interrupt occurs when a message has been received and stored in message buffer k-1, indicating that MBRB has become full. Alternatively, by clearing the IE bit of message buffers 0 to (k-3) and setting the IE bit of message buffer k-2, a warning that MBRB is about to overflow can be issued.

The basic conditions of storing receive data in each message buffer for the MBRB are the same as the conditions of storing data in a single message buffer.

- 
- Caution**
1. MBRB can be configured for each of the same message buffer types. Therefore, even if a message buffer of another MBRB whose ID matches but whose message buffer type is different has a vacancy, the received message is not stored in that message buffer, but instead discarded.
  2. MBRB does not have a ring buffer structure. Therefore, after a message is stored in the message buffer having the highest number in the MBRB configuration, a newly received message will not be stored in the message buffer having the lowest message buffer number.
  3. MBRB operates based on the reception and storage conditions; there are no settings dedicated to MBRB, such as function enable bits. By setting the same message buffer type and ID to two or more message buffers, MBRB is automatically configured.
  4. With MBRB, “matching ID” means “matching ID after mask”. Even if the ID set to each message buffer is not the same, if the ID that is masked by the mask register matches, it is considered a matching ID and the buffer that has this ID is treated as the storage destination of a message.
  5. The priority between MBRBs is mentioned in the table *Table 20-24*.
-

### 20.9.6 Remote frame reception

In all the operation modes, when a remote frame is received, the message buffer that is to store the remote frame is searched from all the message buffers satisfying the following conditions.

- Used as a message buffer  
(MA0 bit of CnMCONFm register set to 1.)
- Set as a transmit message buffer  
(MT[2:0] bits in CnMCONFm register set to 000<sub>B</sub>)
- Ready for reception  
(RDY bit of CnMCTRLm register set to 1.)
- Set to transmit message  
(RTR bit of CnMCONFm register is cleared to 0.)
- Transmission request is not set.  
(TRQ bit of CnMCTRLm register is cleared to 0.)

Upon acceptance of a remote frame, the following actions are executed if the ID of the received remote frame matches the ID of a message buffer that satisfies the above conditions.

- The DLC[3:0] bit string in the CnMDLCLm register store the received DLC value.
- The CnMDATA0m to CnMDATA7m registers in the data area are not updated (data before reception is saved).
- The DN bit of the CnMCTRLm register is set to 1.
- The CINTS1 bit of the CnINTS register is set to 1 (if the IE bit in the CnMCTRLm register of the message buffer that receives and stores the frame is set to 1).
- The receive completion interrupt (INTCnREC) is output (if the IE bit of the message buffer that receives and stores the frame is set to 1 and if the CIE1 bit of the CnIE register is set to 1).
- The message buffer number is recorded in the receive history list.

---

**Caution** When a message buffer is searched for receiving and storing a remote frame, overwrite control by the OWS bit of the CnMCONFm register of the message buffer and the DN bit of the CnMCTRLm register are not checked. The setting of OWS is ignored, and DN is set in any case.  
If more than one transmit message buffer has the same ID and the ID of the received remote frame matches that ID, the remote frame is stored in the transmit message buffer with the lowest message buffer number.

---

## 20.10 Message Transmission

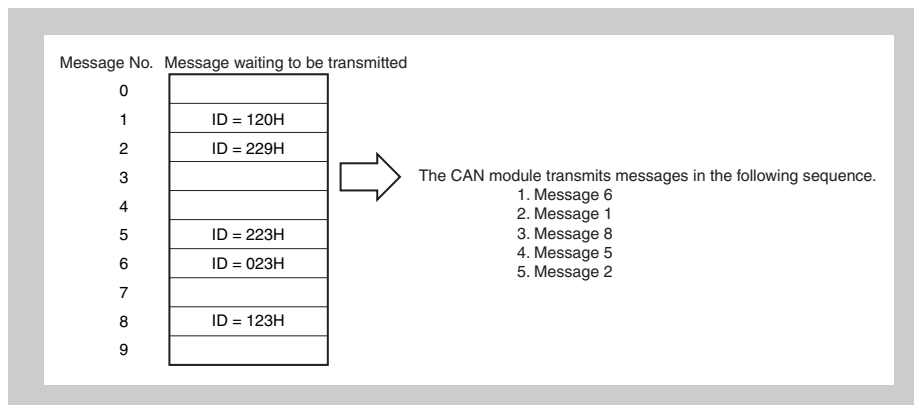
### 20.10.1 Message transmission

A message buffer with its TRQ bit set to 1 participates in the search for the most high-prioritized message when the following conditions are fulfilled. This behavior is valid for all operational modes.

- Used as a message buffer (MA0 bit of CnMCONFm register set to 1.)
- Set as a transmit message buffer (MT[2:0] bits of CnMCONFm register set to 000<sub>B</sub>.)
- Ready for transmission (RDY bit of CnMCTRLm register set to 1.)

The CAN system is a multi-master communication system. In a system like this, the priority of message transmission is determined based on message identifiers (IDs). To facilitate transmission processing by software when there are several messages awaiting transmission, the CAN module uses hardware to check the ID of the message with the highest priority and automatically identifies that message. This eliminates the need for software-based priority control.

Transmission priority is controlled by the identifier (ID).



**Figure 20-30** Message processing example

After the transmit message search, the transmit message with the highest priority of the transmit message buffers that have a pending transmission request (message buffers with the TRQ bit set to 1 in advance) is transmitted.

If a new transmission request is set, the transmit message buffer with the new transmission request is compared with the transmit message buffer with a pending transmission request. If the new transmission request has a higher priority, it is transmitted, unless transmission of a message with a low priority has already started. If transmission of a message with a low priority has already started, however, the new transmission request is transmitted later. To solve this priority inversion effect, the software can perform a transmission abort request for the lower priority message. The highest priority is determined according to the following rules.



Priority	Conditions	Description
1 (high)	Value of first 11 bits of ID [ID28 to ID18]:	The message frame with the lowest value represented by the first 11 bits of the ID is transmitted first. If the value of an 11-bit standard ID is equal to or smaller than the first 11 bits of a 29-bit extended ID, the 11-bit standard ID has a higher priority than a message frame with a 29-bit extended ID.
2	Frame type	A data frame with an 11-bit standard ID (RTR bit is cleared to 0) has a higher priority than a remote frame with a standard ID and a message frame with an extended ID.
3	ID type	A message frame with a standard ID (IDE bit is cleared to 0) has a higher priority than a message frame with an extended ID.
4	Value of lower 18 bits of ID [ID17 to ID0]:	If one or more transmission-pending extended ID message frame has equal values in the first 11 bits of the ID and the same frame type (equal RTR bit values), the message frame with the lowest value in the lower 18 bits of its extended ID is transmitted first.
5 (low)	Message buffer number	If two or more message buffers request transmission of message frames with the same ID, the message from the message buffer with the lowest message buffer number is transmitted first.

- Note** 1. If the automatic block transmission request bit ABTTRG is set to 1 in the normal operation mode with ABT, the TRQ bit is set to 1 only for one message buffer in the ABT message buffer group.

If the ABT mode was triggered by ABTTRG bit (1), one TRQ bit is set to 1 in the ABT area (buffer 0 through 7). Beyond this TRQ bit, the application can request transmissions (set TRQ bit to 1) for other TX-message buffers that do not belong to the ABT area. In that case an interval arbitration process (TX-search) evaluates all TX-message buffers with TRQ bit set to 1 and chooses the message buffer that contains the highest prioritized identifier for the next transmission. If there are 2 or more identifiers that have the highest priority (i.e. identical identifiers), the message located at the lowest message buffer number is transmitted at first.

Upon successful transmission of a message frame, the following operations are performed.

- The TRQ flag of the corresponding transmit message buffer is automatically cleared to 0.
  - The transmission completion status bit CINTS0 of the CnINTS register is set to 1 (if the interrupt enable bit (IE) of the corresponding transmit message buffer is set to 1).
  - An interrupt request signal INTCnTRX is output (if the CIE0 bit of the CnIE register is set to 1 and if the interrupt enable bit (IE) of the corresponding transmit message buffer is set to 1).
2. When changing the contents of a transmit buffer, the RDY flag of this buffer must be cleared before updating the buffer contents. As during internal transfer actions, the RDY flag may be locked temporarily, the status of RDY must be checked by software, after changing it.

### 20.10.2 Transmit history list function

The transmit history list (THL) function records in the transmit history list the number of the transmit message buffer from which data or remote frames have been sent. The THL consists of storage elements equivalent to up to seven messages, the last out-message pointer (LOPT) with the corresponding CnLOPT register, and the transmit history list get pointer (TGPT) with the corresponding CnTGPT register.

The THL is undefined immediately after the transition of the CAN module from the initialization mode to one of the operation modes.

The CnLOPT register holds the contents of the THL element indicated by the value of the LOPT pointer minus 1. By reading the CnLOPT register, therefore, the number of the message buffer that transmitted a data frame or remote frame first can be checked. The LOPT pointer is utilized as a write pointer that indicates to what part of the THL a message buffer number is recorded. Any time a data frame or remote frame is transmitted, the corresponding message buffer number is recorded to the THL element indicated by the LOPT pointer. Each time recording to the THL has been completed, the LOPT pointer is automatically incremented. In this way, the number of the message buffer that has received and stored a frame will be recorded chronologically.

The TGPT pointer is utilized as a read pointer that reads a recorded message buffer number from the THL. This pointer indicates the first THL element that the CPU has not yet read. By reading the CnTGPT register by software, the number of a message buffer that has completed transmission can be read. Each time a message buffer number is read from the CnTGPT register, the TGPT pointer is automatically incremented.

If the value of the TGPT pointer matches the value of the LOPT pointer, the THPM bit (transmit history list pointer match) of the CnTGPT register is set to 1. This indicates that no message buffer numbers that have not been read remain in the THL. If a new message buffer number is recorded, the LOPT pointer is incremented and because its value no longer matches the value of the TGPT pointer, the THPM bit is cleared. In other words, the numbers of the unread message buffers exist in the THL.

If the LOPT pointer is incremented and matches the value of the TGPT pointer minus 1, the TOVF bit (transmit history list overflow) of the CnTGPT register is set to 1. This indicates that the THL is full of message buffer numbers that have not been read. If a new message is received and stored, the message buffer number recorded last is overwritten by the message buffer number that transmitted its message afterwards. In this case, after the TOVF bit has been set (1), therefore, the recorded message buffer numbers in the THL do not completely reflect the chronological order. However the other transmitted messages can be found by a CPU search applied to all transmit message buffers unless the CPU has not overwritten a transmit object in one of these buffers beforehand. In total up to six transmission completions can occur without overflowing the THL.

**Caution** If the history list is in the overflow condition (TOVF is set), reading the history list contents is still possible, until the history list is empty (indicated by THPM flag set). Nevertheless, the history list remains in the overflow condition, until TOVF is cleared by software. If TOVF is not cleared, the THPM flag will also not be updated (cleared) upon successful transmission of a new message. This may lead to the situation, that THPM indicates an empty history list, although a successful transmission has taken place, while the history list is in the overflow state (TOVF and THPM are set).

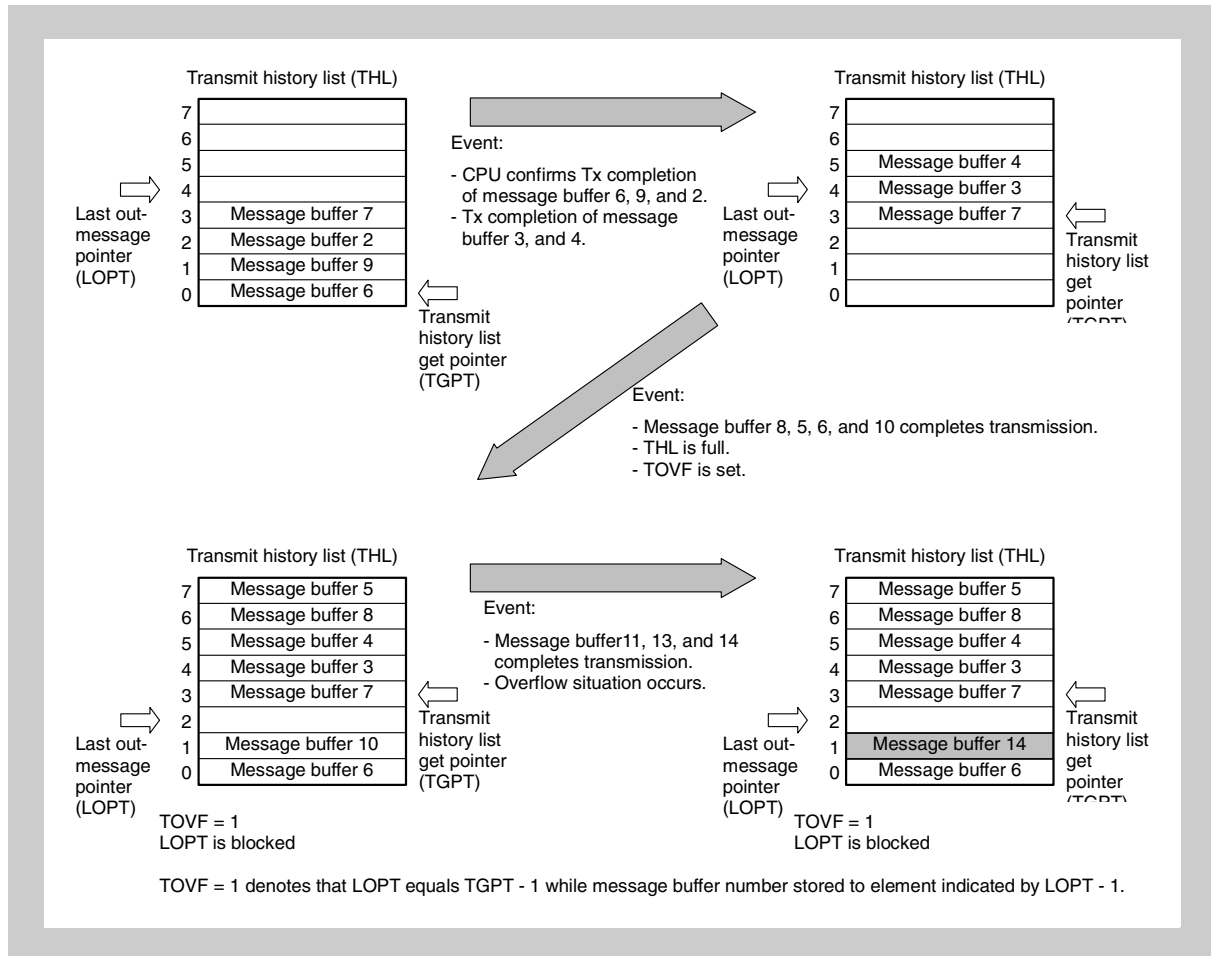


Figure 20-31 Transmit history list

### 20.10.3 Automatic block transmission (ABT)

The automatic block transmission (ABT) function is used to transmit two or more data frames successively with no CPU interaction. The maximum number of transmit message buffers assigned to the ABT function is eight (message buffer numbers 0 to 7).

By setting the OPMODE[2:0] bits of the CnCTRL register to 010<sub>B</sub>, “normal operation mode with automatic block transmission function” (hereafter referred to as ABT mode) can be selected.

To issue an ABT transmission request, define the message buffers by software first. Set the MA0 bit (1) in all the message buffers used for ABT, and define all the buffers as transmit message buffers by setting the MA[2:0] bits to 000<sub>B</sub>. Be sure to set the same ID for the message buffers for ABT even when that ID is being used for all the message buffers. To use two or more IDs, set the ID of each message buffer by using the CnMIDLm and CnMIDHm registers. Set the CnMDLcM and CnMDATA0m to CnMDATA7m registers before issuing a transmission request for the ABT function.

After initialization of message buffers for ABT is finished, the RDY bit needs to be set (1). In the ABT mode, the TRQ bit does not have to be manipulated by software.

After the data for the ABT message buffers has been prepared, set the ABTTRG bit to 1. Automatic block transmission is then started. When ABT is started, the TRQ bit in the first message buffer (message buffer 0) is automatically set to 1. After transmission of the data of message buffer 0 is finished, the TRQ bit of the next message buffer, message buffer 1, is set automatically. In this way, transmission is executed successively.

A delay time can be inserted by program in the interval in which the transmission request (TRQ) is automatically set while successive transmission is being executed. The delay time to be inserted is defined by the CnGMABTD register. The unit of the delay time is DBT (data bit time). DBT depends on the setting of the CnBRP and CnBTR registers.

Among transmit objects within the ABT-area, the priority of the transmission ID is not evaluated. The data of message buffers 0 to 7 are sequentially transmitted. When transmission of the data frame from message buffer 7 has been completed, the ABTTRG bit is automatically cleared to 0 and the ABT operation is finished.

If the RDY bit of an ABT message buffer is cleared during ABT, no data frame is transmitted from that buffer, ABT is stopped, and the ABTTRG bit is cleared. After that, transmission can be resumed from the message buffer where ABT stopped, by setting the RDY and ABTTRG bits to 1 by software. To not resume transmission from the message buffer where ABT stopped, the internal ABT engine can be reset by setting the ABTCLR bit to 1 while ABT mode is stopped and the ABTTRG bit is cleared to 0. In this case, transmission is started from message buffer 0 if the ABTCLR bit is cleared to 0 and then the ABTTRG bit is set to 1.

An interrupt can be used to check if data frames have been transmitted from all the message buffers for ABT. To do so, the IE bit of the CnMCTRLm register of each message buffer except the last message buffer needs to be cleared (0).

If a transmit message buffer other than those used by the ABT function (message buffers 8 to 31) is assigned to a transmit message buffer, the message to be transmitted next is determined by the priority of the transmission ID of the ABT message buffer whose transmission is currently

held pending and the transmission ID of the message buffers other than those used by the ABT function.

Transmission of a data frame from an ABT message buffer is not recorded in the transmit history list (THL).

- 
- Caution**
1. Set the ABTCLR bit to 1 while the ABTTRG bit is cleared to 0 in order to resume ABT operation at buffer No.0. If the ABTCLR bit is set to 1 while the ABTTRG bit is set to 1, the subsequent operation is not guaranteed.
  2. If the automatic block transmission engine is cleared by setting the ABTCLR bit to 1, the ABTCLR bit is automatically cleared immediately after the processing of the clearing request is completed.
  3. Do not set the ABTTRG bit in the initialization mode. If the ABTTRG bit is set in the initialization mode, the proper operation is not guaranteed after the mode is changed from the initialization mode to the ABT mode.
  4. Do not set the TRQ bit of the ABT message buffers to 1 by software in the normal operation mode with ABT. Otherwise, the operation is not guaranteed.
  5. The CnGMABTD register is used to set the delay time that is inserted in the period from completion of the preceding ABT message to setting of the TRQ bit for the next ABT message when the transmission requests are set in the order of message numbers for each message for ABT that is successively transmitted in the ABT mode. The timing at which the messages are actually transmitted onto the CAN bus varies depending on the status of transmission from other stations and the status of the setting of the transmission request for messages other than the ABT messages (message buffers 8 to 31).
  6. If a transmission request is made for a message other than an ABT message and if no delay time is inserted in the interval in which transmission requests for ABT are automatically set (CnGMABTD register = 00<sub>H</sub>), messages other than ABT messages may be transmitted not depending on their priority compared to the priority of the ABT message.
  7. Do not clear the RDY bit to 0 when the ABTTRG bit = 1.
  8. If a message is received from another node while normal operation mode with ABT is active, the TX-message from the ABT-area may be transmitted with delay of one frame although CnGMABTD register was set up with 00<sub>H</sub>.
-

### 20.10.4 Transmission abort process

**(1) Transmission abort process except for in normal operation mode with automatic block transmission (ABT)**

The user can clear the TRQ bit of the CnMCTRLm register to 0 to abort a transmission request. The TRQ bit will be cleared immediately if the abort was successful. Whether the transmission was successfully aborted or not can be checked using the TSTAT bit of the CnCTRL register and the CnTGPT register, which indicate the transmission status on the CAN bus (for details, refer to the processing in *Figure 20-45 on page 839*).

**(2) Transmission abort process except for ABT transmission in normal operation mode with automatic block transmission (ABT)**

The user can clear the ABTTRG bit of the CnGMABT register to 0 to abort a transmission request. After checking the ABTTRG bit of the CnGMABT register = 0, clear the TRQ bit of the CnMCTRLm register to 0. The TRQ bit will be cleared immediately if the abort was successful. Whether the transmission was successfully aborted or not can be checked using the TSTAT bit of the CnCTRL register and the CnTGPT register, which indicate the transmission status on the CAN bus (for details, refer to the processing in *Figure 20-46 on page 840*).

**(3) Transmission abort process for ABT transmission in normal operation mode with automatic block transmission (ABT)**

To abort ABT that is already started, clear the ABTTRG bit of the CnGMABT register to 0. In this case, the ABTTRG bit remains 1 if an ABT message is currently being transmitted and until the transmission is completed (successfully or not), and is cleared to 0 as soon as transmission is finished. This aborts ABT.

If the last transmission (before ABT) was successful, the normal operation mode with ABT is left with the internal ABT pointer pointing to the next message buffer to be transmitted.

In the case of an erroneous transmission, the position of the internal ABT pointer depends on the status of the TRQ bit in the last transmitted message buffer. If the TRQ bit is set to 1 when clearing the ABTTRG bit is requested, the internal ABT pointer points to the last transmitted message buffer (for details, refer to the process in *Figure 20-47 on page 841*). If the TRQ bit is cleared to 0 when clearing the ABTTRG bit is requested, the internal ABT pointer is incremented (+1) and points to the next message buffer in the ABT area (for details, refer to the process in *Figure 20-48 on page 842*).

---

**Caution** Be sure to abort ABT by clearing ABTTRG bit to 0. The operation is not guaranteed if aborting transmission is requested by clearing RDY.

---

When the normal operation mode with ABT is resumed after ABT has been aborted and the ABTTRG bit is set to 1, the next ABT message buffer to be transmitted can be determined from the following table.

Status of TRQ of ABT message buffer	Abort after successful transmission	Abort after erroneous transmission
Set (1)	Next message buffer in the ABT area <sup>a</sup>	Same message buffer in the ABT area
Cleared (0)	Next message buffer in the ABT area <sup>a</sup>	Next message buffer in the ABT area <sup>a</sup>

<sup>a)</sup> The above resumption operation can be performed only if a message buffer ready for ABT exists in the ABT area. For example, an abort request that is issued while ABT of message buffer 7 is in progress is regarded as completion of ABT, rather than abort, if transmission of message buffer 7 has been successfully completed, even if the ABTTRG bit is cleared to 0. If the RDY bit in the next message buffer in the ABT area is cleared to 0, the internal ABT pointer is retained, but the resumption operation is not performed even if the ABTTRG bit is set to 1, and ABT ends immediately.

### 20.10.5 Remote frame transmission

Remote frames can be transmitted only from transmit message buffers. Set whether a data frame or remote frame is transmitted via the RTR bit of the CnMCONFm register. Setting (1) the RTR bit sets remote frame transmission.

## 20.11 Power Saving Modes

### 20.11.1 CAN sleep mode

The CAN sleep mode can be used to set the CAN Controller to stand-by mode in order to reduce power consumption. The CAN module can enter the CAN sleep mode from all operation modes. Release of the CAN sleep mode returns the CAN module to exactly the same operation mode from which the CAN sleep mode was entered.

In the CAN sleep mode, the CAN module does not transmit messages, even when transmission requests are issued or pending.

#### (1) Entering CAN sleep mode

The CPU issues a CAN sleep mode transition request by writing 01<sub>B</sub> to the PSMODE[1:0] bits of the CnCTRL register.

This transition request is only acknowledged only under the following conditions.

3. The CAN module is already in one of the following operation modes
  - Normal operation mode
  - Normal operation mode with ABT
  - Receive-only mode
  - Single-shot mode
  - Self-test mode
  - CAN stop mode in all the above operation modes
4. The CAN bus state is bus idle (the 4th bit in the interframe space is recessive).  
If the CAN bus is fixed to dominant, the request for transition to the CAN sleep mode is held pending. Also the transition from CAN stop mode to CAN sleep mode is independent of the CAN bus state.
5. No transmission request is pending

**Note** If a sleep mode request is pending, and at the same time a message is received in a message box, the sleep mode request is not cancelled, but is executed right after message storage has been finished. This may result in AFCAN being in sleep mode, while the CPU would execute the RX interrupt routine. Therefore, the interrupt routine must check the access to the message buffers as well as reception history list registers by using the MBON flag, if sleep mode is used.

If any one of the conditions mentioned above is not met, the CAN module will operate as follows.

- If the CAN sleep mode is requested from the initialization mode, the CAN sleep mode transition request is ignored and the CAN module remains in the initialization mode.
- If the CAN bus state is not bus idle (i.e., the CAN bus state is either transmitting or receiving) when the CAN sleep mode is requested in one of the operation modes, immediate transition to the CAN sleep mode is not possible. In this case, the CAN sleep mode transition request has to be held pending until the CAN bus state becomes bus idle (the 4th bit in the interframe space is recessive). In the time from the CAN sleep mode request to successful transition, the PSMODE[1:0] bits remain 00<sub>B</sub>. When



the module has entered the CAN sleep mode, the PSMODE[1:0] bits are set to 01<sub>B</sub>.

- If a request for transition to the initialization mode and a request for transition to the CAN sleep mode are made at the same time while the CAN module is in one of the operation modes, the request for the initialization mode is enabled. The CAN module enters the initialization mode at a predetermined timing. At this time, the CAN sleep mode request is not held pending and is ignored.
- Even when initialization mode and sleep mode are not requested simultaneously (i.e the first request has not been granted while the second request is made), the request for initialization has priority over the sleep mode request. The sleep mode request is cancelled when the initialization mode is requested. When a pending request for initialization mode is present, a subsequent request for Sleep mode request is cancelled right at the point in time where it was submitted.

## (2) Status in CAN sleep mode

The CAN module is in the following state after it enters the CAN sleep mode:

- The internal operating clock is stopped and the power consumption is minimized.
- The function to detect the falling edge of the CAN reception pin (CRXDn) remains in effect to wake up the CAN module from the CAN bus.
- To wake up the CAN module from the CPU, data can be written to the PSMODE[1:0] bits of the CAN module control register (CnCTRL), but nothing can be written to other CAN module registers or bits.
- The CAN module registers can be read, except for the CnLIPT, CnRGPT, CnLOPT, and CnTGPT registers.
- The CAN message buffer registers cannot be written or read.
- MBON bit of the CAN Global Control register (CnGMCTRL) is cleared.
- A request for transition to the initialization mode is not acknowledged and is ignored.

**(3) Releasing CAN sleep mode**

The CAN sleep mode is released by the following events:

- When the CPU writes 00<sub>B</sub> to the PSMODE[1:0] bits of the CnCTRL register
- A falling edge at the CAN reception pin (CRXDn) (i.e. the CAN bus level shifts from recessive to dominant)

---

**Caution** Even if the falling edge belongs to the SOF of a receive message, this message will not be received and stored. If the CPU has turned off the clock supply to the CAN module while the CAN module was in sleep mode, even subsequently the CAN sleep mode will not be released and PSMODE [1:0] will remain 01<sub>B</sub> unless the clock to the CAN module is supplied again. In addition to this, the receive message will not be received after that.

---

After releasing the sleep mode, the CAN module returns to the operation mode from which the CAN sleep mode was requested and the PSMODE[1:0] bits of the CnCTRL register must be reset by software to 00<sub>B</sub>. If the CAN sleep mode is released by a change in the CAN bus state, the CINTS5 bit of the CnINTS register is set to 1, regardless of the CIE bit of the CnIE register. After the CAN module is released from the CAN sleep mode, it participates in the CAN bus again by automatically detecting 11 consecutive recessive-level bits on the CAN bus. The user application has to wait until MBON = 1, before accessing message buffers again.

When a request for transition to the initialization mode is made while the CAN module is in the CAN sleep mode, that request is ignored; the CAN module has to be released from sleep mode by software first before entering the initialization mode.

---

**Caution**

1. Be aware that the release of CAN sleep mode by CAN bus event, and thus the wake up interrupt may happen at any time, even right after requesting sleep mode, if a CAN bus event occurs.
2. Always reset the PSMODE[1:0] bits to 00<sub>B</sub>, when waking up from CAN sleep mode, before accessing any other registers of the CAN module.
3. Always clear the interrupt flag CINTS5, when waking up from CAN sleep mode.

---

### 20.11.2 CAN stop mode

The CAN stop mode can be used to set the CAN Controller to stand-by mode to reduce power consumption. The CAN module can enter the CAN stop mode only from the CAN sleep mode. Release of the CAN stop mode puts the CAN module in the CAN sleep mode.

The CAN stop mode can only be released (entering CAN sleep mode) by writing 01<sub>B</sub> to the PSMODE[1:0] bits of the CnCTRL register and not by a change in the CAN bus state. No message is transmitted even when transmission requests are issued or pending.

#### (1) Entering CAN stop mode

A CAN stop mode transition request is issued by writing 11<sub>B</sub> to the PSMODE[1:0] bits of the CnCTRL register.

A CAN stop mode request is only acknowledged when the CAN module is in the CAN sleep mode. In all other modes, the request is ignored.

---

**Caution** To set the CAN module to the CAN stop mode, the module must be in the CAN sleep mode. To confirm that the module is in the sleep mode, check that the PSMODE[1:0] bits = 01<sub>B</sub>, and then request the CAN stop mode. If a bus change occurs at the CAN reception pin (CRXDn) while this process is being performed, the CAN sleep mode is automatically released. In this case, the CAN stop mode transition request cannot be acknowledged.

---

#### (2) Status in CAN stop mode

The CAN module is in the following state after it enters the CAN stop mode.

- The internal operating clock is stopped and the power consumption is minimized.
- To wake up the CAN module from the CPU, data can be written to the PSMODE[1:0] bits of the CAN module control register (CnCTRL), but nothing can be written to other CAN module registers or bits.
- The CAN module registers can be read, except for the CnLIPT, CnRGPT, CnLOPT, and CnTGPT registers.
- The CAN message buffer registers cannot be written or read.
- MBON bit of the CAN Global Control register (CnGMCTRL) is cleared.
- An initialization mode transition request is not acknowledged and is ignored.

#### (3) Releasing CAN stop mode

The CAN stop mode can only be released by writing 01<sub>B</sub> to the PSMODE[1:0] bits of the CnCTRL register. After releasing the CAN stop mode, the CAN module enters the CAN sleep mode.

When the initialization mode is requested while the CAN module is in the CAN stop mode, that request is ignored; the CPU has to release the stop mode and subsequently CAN sleep mode before entering the initialization mode. It is impossible to enter the other operation mode directly from the CAN stop mode not entering the CAN sleep mode, that request is ignored.

### 20.11.3 Example of using power saving modes

In some application systems, it may be necessary to place the CPU in a power saving mode to reduce the power consumption. By using the power saving mode specific to the CAN module and the power saving mode specific to the CPU in combination, the CPU can be woken up from the power saving status by the CAN bus.

Here is an example for using the power saving modes.

- First, put the CAN module in the CAN sleep mode (PSMODE[1:0] = 01<sub>B</sub>). Next, put the CPU in the power saving mode. If an edge transition from recessive to dominant is detected at the CAN reception pin (CRXDn) in this status, the CINTS5 bit in the CAN module is set to 1. If the CIE5 bit of the CnCTRL register is set to 1, a wakeup interrupt (INTWUPn) is generated.
- The CAN module is automatically released from CAN sleep mode (PSMODE = 00<sub>B</sub>) and returns to normal operation mode.
- The CPU, in response to INTWUPn, can release its own power saving mode and return to normal operation mode.

To further reduce the power consumption of the CPU, the internal clock - including that of the CAN module - may be stopped. In this case, the operating clock supplied to the CAN module is stopped after the CAN module has been put in CAN sleep mode. Then the CPU enters a power saving mode in which the clock supplied to the CPU is stopped.

- If an edge transition from recessive to dominant is detected at the CAN reception pin (CRXDn) in this status, the CAN module can set the CINTS5 bit to 1 and generate the wakeup interrupt (INTWUPn) even if it is not supplied with the clock.
- The other functions, however, do not operate, because clock supply to the CAN module is stopped, and the module remains in CAN sleep mode.
- The CPU, in response to INTWUPn
  - releases its power saving mode,
  - resumes supply of the internal clocks - including the clock to the CAN module - after the oscillation stabilization time has elapsed, and
  - starts instruction execution.
- The CAN module is immediately released from the CAN sleep mode when clock supply is resumed, and returns to the normal operation mode (PSMODE = 00<sub>B</sub>).

## 20.12 Interrupt Function

The CAN module provides 6 different interrupt sources.

The occurrence of these interrupt sources is stored in interrupt status registers. Four separate interrupt request signals are generated from the six interrupt sources. When an interrupt request signal that corresponds to two or more interrupt sources is generated, the interrupt sources can be identified by using an interrupt status register. After an interrupt source has occurred, the corresponding interrupt status bit must be cleared to 0 by software.

**Table 20-25 List of CAN module interrupt sources**

No.	Interrupt status bit		Interrupt enable bit		Interrupt request signal	Interrupt source description
	Name	Register	Name	Register		
1	CINTS0	CnINTS	CIE0 <sup>a</sup>	CnIE	INTCnTRX	Message frame successfully transmitted from message buffer m
2	CINTS1	CnINTS	CIE1 <sup>a</sup>	CnIE	INTCnREC	Valid message frame reception in message buffer m
3	CINTS2	CnINTS	CIE2	CnIE	INTCnERR	CAN module error state interrupt (Supplement 1)
4	CINTS3	CnINTS	CIE3	CnIE		CAN module protocol error interrupt (Supplement 2)
5	CINTS4	CnINTS	CIE4	CnIE		CAN module arbitration loss interrupt
6	CINTS5	CnINTS	CIE5	CnIE	INTCnWUP	CAN module wakeup interrupt from CAN sleep mode (Supplement 3)

<sup>a)</sup> The IE bit (message buffer interrupt enable bit) in the CnMCTRL register of the corresponding message buffer has to be set to 1 for that message buffer to participate in the interrupt generation process.

- Supplements**
1. This interrupt is generated when the transmission/reception error counter is at the warning level, or in the error passive or bus-off state.
  2. This interrupt is generated when a stuff error, form error, ACK error, bit error, or CRC error occurs.
  3. This interrupt is generated when the CAN module is woken up from the CAN sleep mode because a falling edge is detected at the CAN reception pin (CAN bus transition from recessive to dominant).

## 20.13 Diagnosis Functions and Special Operational Modes

The CAN module provides a receive-only mode, single-shot mode, and self-test mode to support CAN bus diagnosis functions or the operation of special CAN communication methods.

### 20.13.1 Receive-only mode

The receive-only mode is used to monitor receive messages without causing any interference on the CAN bus and can be used for CAN bus analysis nodes.

For example, this mode can be used for automatic baud-rate detection. The baud rate in the CAN module is changed until “valid reception” is detected, so that the baud rates in the module match (“valid reception” means a message frame has been received in the CAN protocol layer without occurrence of an error and with an appropriate ACK between nodes connected to the CAN bus). A valid reception does not require message frames to be stored in a receive message buffer (data frames) or transmit message buffer (remote frames). The event of valid reception is indicated by setting the VALID bit of the CnCTRL register (1).

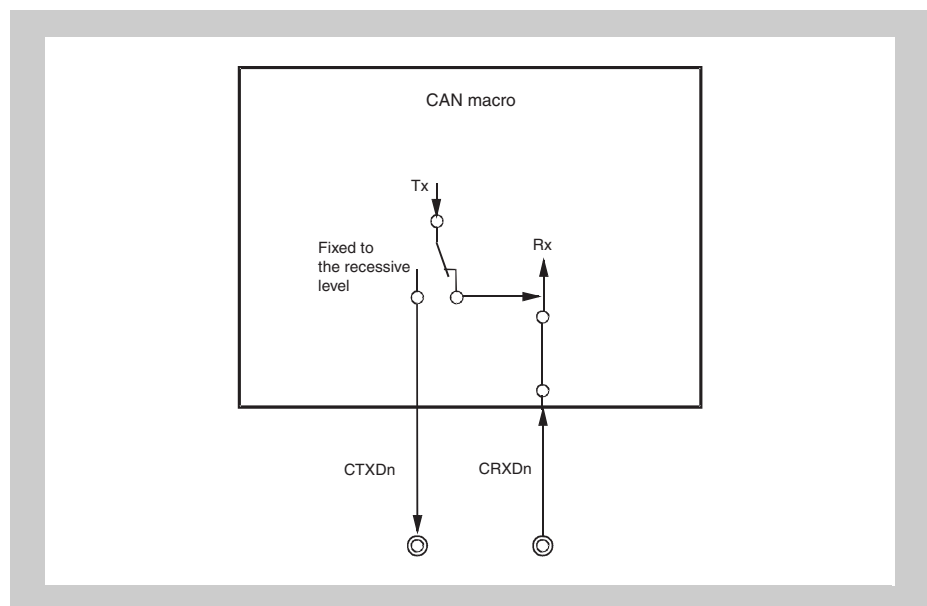


Figure 20-32 CAN module terminal connection in receive-only mode

In the receive-only mode, no message frames can be transmitted from the CAN module to the CAN bus. Transmit requests issued for message buffers defined as transmit message buffers are held pending.

In the receive-only mode, the CAN transmission pin (CTXDn) in the CAN module is fixed to the recessive level. Therefore, no active error flag can be transmitted from the CAN module to the CAN bus even when a CAN bus error is detected while receiving a message frame. Since no transmission can be issued from the CAN module, the transmission error counter the CnERC.TEC7 to CnERC.TEC0 bits are never updated. Therefore, a CAN module in the receive-only mode does not enter the bus-off state.

Furthermore, in the receive-only mode ACK is not returned to the CAN bus in this mode upon the valid reception of a message frame. Internally, the local node recognizes that it has transmitted ACK. An overload frame cannot be transmitted to the CAN bus.

---

**Caution** If only two CAN nodes are connected to the CAN bus and one of them is operating in the receive-only mode, there is no ACK on the CAN bus. Due to the missing ACK, the transmitting node will transmit an active error flag, and repeat transmitting a message frame. The transmitting node becomes error passive after transmitting the message frame 16 times (assuming that the error counter was 0 in the beginning and no other errors have occurred). After the message frame for the 17th time is transmitted, the transmitting node generates a passive error flag. The receiving node in the receive-only mode detects the first valid message frame at this point, and the VALID bit is set to 1 for the first time.

---

### 20.13.2 Single-shot mode

In the single-shot mode, automatic re-transmission as defined in the CAN protocol is switched off. (According to the CAN protocol, a message frame transmission that has been aborted by either arbitration loss or error occurrence has to be repeated without control by software.) All other behavior of single shot mode is identical to normal operation mode. Features of single shot mode can not be used in combination with normal mode with ABT.

The single-shot mode disables the re-transmission of an aborted message frame transmission according to the setting of the AL bit of the CnCTRL register. When the AL bit is cleared to 0, re-transmission upon arbitration loss and upon error occurrence is disabled. If the AL bit is set to 1, re-transmission upon error occurrence is disabled, but re-transmission upon arbitration loss is enabled. As a consequence, the TRQ bit in a message buffer defined as a transmit message buffer is cleared to 0 by the following events:

- Successful transmission of the message frame
- Arbitration loss while sending the message frame
- Error occurrence while sending the message frame

The events arbitration loss and error occurrence can be distinguished by checking the CINTS4 and CINTS3 bits of the CnINTS register respectively, and the type of the error can be identified by reading the LEC[2:0] bits of the CnLEC register.

Upon successful transmission of the message frame, the transmit completion interrupt bit CINTS0 of the CnINTS register is set to 1. If the CIE0 bit of the CnIE register is set to 1 at this time, an interrupt request signal is output.

The single-shot mode can be used when emulating time-triggered communication methods (e.g., TTCAN level 1).

**Caution** The AL bit is only valid in single-shot mode. It does not influence the operation of re-transmission upon arbitration loss in the other operation modes.

### 20.13.3 Self-test mode

In the self-test mode, message frame transmission and message frame reception can be tested without connecting the CAN node to the CAN bus or without affecting the CAN bus.

In the self-test mode, the CAN module is completely disconnected from the CAN bus, but transmission and reception are internally looped back. The CAN transmission pin (CTXDn) is fixed to the recessive level.

If the falling edge on the CAN reception pin (CRXDn) is detected after the CAN module has entered the CAN sleep mode from the self-test mode, however, the module is released from the CAN sleep mode in the same manner as the other operation modes. To keep the module in the CAN sleep mode, use the CAN reception pin (CRXDn) as a port pin.

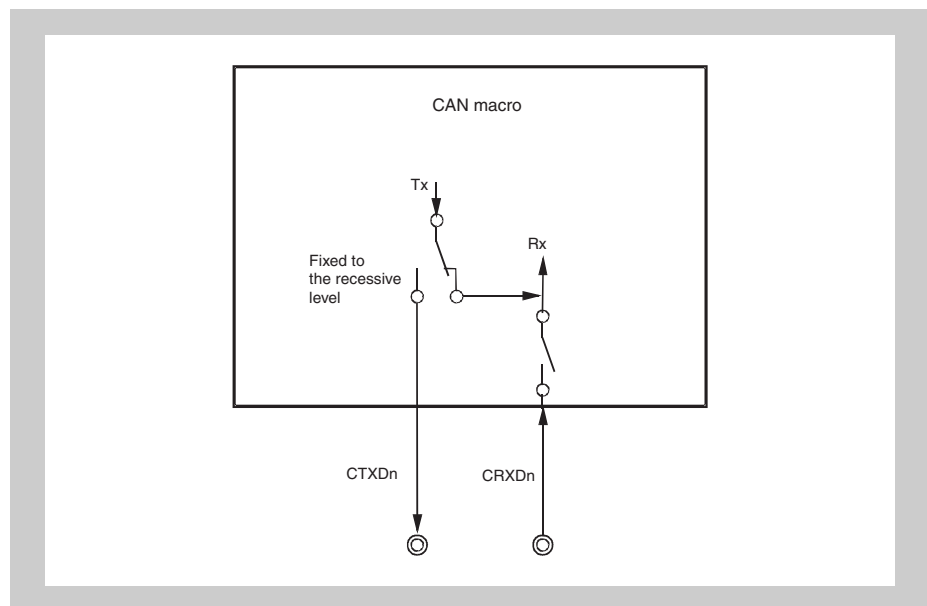


Figure 20-33 CAN module terminal connection in self-test mode



### 20.13.4 Receive/transmit operation in each operation mode

The following table shows outline of the receive/transmit operation in each operation mode.

Table 20-26 Outline of the receive/transmit in each operation mode

Operation mode	Transmission of data/remote frame	Transmission of ACK	Transmission of error/overload frame	Transmission retry	Automatic block transmission (ABT)	Set of VALID bit	Store data to message buffer
Initialization mode	No	No	No	No	No	No	No
Normal operation mode	Yes	Yes	Yes	Yes	No	Yes	Yes
Normal operation mode with ABT	Yes	Yes	Yes	Yes	Yes	Yes	Yes
Receive only mode	No	No	No	No	No	Yes	Yes
Single-shot mode	Yes	Yes	Yes	No <sup>a)</sup>	No	Yes	Yes
Self-test mode	Yes <sup>b)</sup>	Yes <sup>b)</sup>	Yes <sup>b)</sup>	Yes <sup>b)</sup>	No	Yes <sup>b)</sup>	Yes <sup>b)</sup>

a) When the arbitration lost occurs, control of re-transmission is possible by the AL bit of CnCTRL register.

b) Each signals are not generated to outside, but generated into the CAN module.

## 20.14 Time Stamp Function

CAN is an asynchronous, serial protocol. All nodes connected to the CAN bus have a local, autonomous clock. As a consequence, the clocks of the nodes have no relation (i.e., the clocks are asynchronous and may have different frequencies).

In some applications, however, a common time base over the network (= global time base) is needed. In order to build up a global time base, a time stamp function is used. The essential mechanism of a time stamp function is the capture of timer values triggered by signals on the CAN bus.

### 20.14.1 Time stamp function

The CAN Controller supports the capturing of timer values triggered by a specific frame. An on-chip 16-bit capture timer unit in a microcontroller system is used in addition to the CAN Controller. The 16-bit capture timer unit captures the timer value according to a trigger signal (TSOUT) for capturing that is output when a data frame is received from the CAN Controller. The CPU can retrieve the time of occurrence of the capture event, i.e., the time stamp of the message received from the CAN bus, by reading the captured value. The TSOUT signal can be selected from the following two event sources and is specified by the TSSEL bit of the CnTS register.

- SOF event (start of frame) (TSSEL = 0)
- EOF event (last bit of end of frame) (TSSEL = 1)

The TSOUT signal is enabled by setting the TSEN bit of the CnTS register to 1.

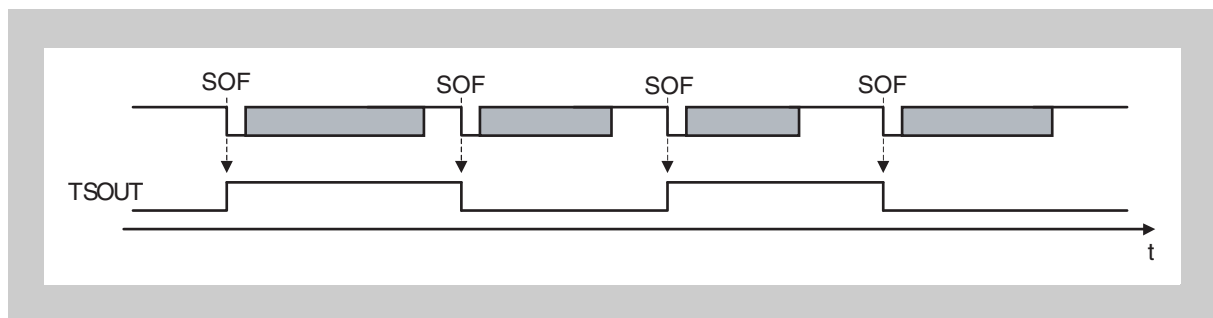


Figure 20-34 Timing diagram of capture signal TSOUT

The TSOUT signal toggles its level upon occurrence of the selected event during data frame reception (in *Figure 20-34*, the SOF is used as the trigger event source). To capture a timer value by using the TSOUT signal, the capture timer unit must detect the capture signal at both the rising edge and falling edge.

This time stamp function is controlled by the TSLOCK bit of the CnTS register. When TSLOCK is cleared to 0, the TSOUT signal toggles upon occurrence of the selected event. If TSLOCK is set to 1, the TSOUT signal toggles upon occurrence of the selected event, but the toggle is stopped as the TSEN bit is automatically cleared to 0 as soon as the message storing to the message buffer 0 starts. This suppresses the subsequent toggle occurrence by the TSOUT signal, so that the time stamp value toggled last (= captured last) can be saved as the time stamp value of the time at which the data frame was received in message buffer 0.

---

**Caution** The time stamp function using the TSLOCK bit stops toggle of the TSOUT signal by receiving a data frame in message buffer 0. Therefore, message buffer 0 must be set as a receive message buffer. Since a receive message buffer cannot receive a remote frame, toggle of the TSOUT signal cannot be stopped by reception of a remote frame. Toggle of the TSOUT signal does not stop when a data frame is received in a message buffer other than message buffer 0.

For these reasons, a data frame cannot be received in message buffer 0 when the CAN module is in the normal operation mode with ABT, because message buffer 0 must be set as a transmit message buffer. In this operation mode, therefore, the function to stop toggle of the TSOUT signal by the TSLOCK bit cannot be used.

---

## 20.15 Baud Rate Settings

### 20.15.1 Baud rate setting conditions

Make sure that the settings are within the range of limit values for ensuring correct operation of the CAN Controller, as follows.

- $5TQ \leq SPT$  (sampling point)  $\leq 17TQ$   
 $SPT = TSEG1 + 1$
- $8TQ \leq DBT$  (data bit time)  $\leq 25TQ$   
 $DBT = TSEG1 + TSEG2 + 1TQ = TSEG2 + SPT$
- $1TQ \leq SJW$  (synchronization jump width)  $\leq 4TQ$   
 $SJW \leq DBT - SPT$
- $4 \leq TSEG1 \leq 16$  [ $3 \leq$ Setting value of TSEG1[3:0]  $\leq 15$ ]
- $1 \leq TSEG2 \leq 8$  [ $0 \leq$ Setting value of TSEG2[2:0]  $\leq 7$ ]

- Note**
1.  $TQ = 1/f_{TQ}$  ( $f_{TQ}$ : CAN protocol layer basic system clock)
  2. TSEG1[3:0] (Bits 3 to 0 of CAN bit rate register (CnBTR))
  3. TSEG2[2:0] (Bits 10 to 8 of CAN bit rate register (CnBTR))

Table 20-27 shows the combinations of bit rates that satisfy the above conditions.

Table 20-27 Settable bit rate combinations (1/3)

Valid bit rate setting					CnBTR register setting value		Sampling point (unit %)
DBT length	SYNC SEGMENT	PROP SEGMENT	PHASE SEGMENT1	PHASE SEGMENT2	TSEG1 [3:0]	TSEG2 [2:0]	
25	1	8	8	8	1111	111	68.0
24	1	7	8	8	1110	111	66.7
24	1	9	7	7	1111	110	70.8
23	1	6	8	8	1101	111	65.2
23	1	8	7	7	1110	110	69.6
23	1	10	6	6	1111	101	73.9
22	1	5	8	8	1100	111	63.6
22	1	7	7	7	1101	110	68.2
22	1	9	6	6	1110	101	72.7
22	1	11	5	5	1111	100	77.3
21	1	4	8	8	1011	111	61.9
21	1	6	7	7	1100	110	66.7
21	1	8	6	6	1101	101	71.4
21	1	10	5	5	1110	100	76.2
21	1	12	4	4	1111	011	81.0
20	1	3	8	8	1010	111	60.0
20	1	5	7	7	1011	110	65.0
20	1	7	6	6	1100	101	70.0
20	1	9	5	5	1101	100	75.0
20	1	11	4	4	1110	011	80.0
20	1	13	3	3	1111	010	85.0
19	1	2	8	8	1001	111	57.9
19	1	4	7	7	1010	110	63.2
19	1	6	6	6	1011	101	68.4
19	1	8	5	5	1100	100	73.7
19	1	10	4	4	1101	011	78.9
19	1	12	3	3	1110	010	84.2
19	1	14	2	2	1111	001	89.5
18	1	1	8	8	1000	111	55.6
18	1	3	7	7	1001	110	61.1
18	1	5	6	6	1010	101	66.7
18	1	7	5	5	1011	100	72.2
18	1	9	4	4	1100	011	77.8
18	1	11	3	3	1101	010	83.3
18	1	13	2	2	1110	001	88.9
18	1	15	1	1	1111	000	94.4
17	1	2	7	7	1000	110	58.8

Table 20-27 Settable bit rate combinations (2/3)

Valid bit rate setting					CnBTR register setting value		Sampling point (unit %)
DBT length	SYNC SEGMENT	PROP SEGMENT	PHASE SEGMENT1	PHASE SEGMENT2	TSEG1 [3:0]	TSEG2 [2:0]	
17	1	4	6	6	1001	101	64.7
17	1	6	5	5	1010	100	70.6
17	1	8	4	4	1011	011	76.5
17	1	10	3	3	1100	010	82.4
17	1	12	2	2	1101	001	88.2
17	1	14	1	1	1110	000	94.1
16	1	1	7	7	0111	110	56.3
16	1	3	6	6	1000	101	62.5
16	1	5	5	5	1001	100	68.8
16	1	7	4	4	1010	011	75.0
16	1	9	3	3	1011	010	81.3
16	1	11	2	2	1100	001	87.5
16	1	13	1	1	1101	000	93.8
15	1	2	6	6	0111	101	60.0
15	1	4	5	5	1000	100	66.7
15	1	6	4	4	1001	011	73.3
15	1	8	3	3	1010	010	80.0
15	1	10	2	2	1011	001	86.7
15	1	12	1	1	1100	000	93.3
14	1	1	6	6	0110	101	57.1
14	1	3	5	5	0111	100	64.3
14	1	5	4	4	1000	011	71.4
14	1	7	3	3	1001	010	78.6
14	1	9	2	2	1010	001	85.7
14	1	11	1	1	1011	000	92.9
13	1	2	5	5	0110	100	61.5
13	1	4	4	4	0111	011	69.2
13	1	6	3	3	1000	010	76.9
13	1	8	2	2	1001	001	84.6
13	1	10	1	1	1010	000	92.3
12	1	1	5	5	0101	100	58.3
12	1	3	4	4	0110	011	66.7
12	1	5	3	3	0111	010	75.0

Table 20-27 Settable bit rate combinations (3/3)

Valid bit rate setting					CnBTR register setting value		Sampling point (unit %)
DBT length	SYNC SEGMENT	PROP SEGMENT	PHASE SEGMENT1	PHASE SEGMENT2	TSEG1 [3:0]	TSEG2 [2:0]	
12	1	7	2	2	1000	001	83.3
12	1	9	1	1	1001	000	91.7
11	1	2	4	4	0101	011	63.6
11	1	4	3	3	0110	010	72.7
11	1	6	2	2	0111	001	81.8
11	1	8	1	1	1000	000	90.9
10	1	1	4	4	0100	011	60.0
10	1	3	3	3	0101	010	70.0
10	1	5	2	2	0110	001	80.0
10	1	7	1	1	0111	000	90.0
9	1	2	3	3	0100	010	66.7
9	1	4	2	2	0101	001	77.8
9	1	6	1	1	0110	000	88.9
8	1	1	3	3	0011	010	62.5
8	1	3	2	2	0100	001	75.0
8	1	5	1	1	0101	000	87.5
7 <sup>a</sup>	1	2	2	2	0011	001	71.4
7 <sup>a</sup>	1	4	1	1	0100	000	85.7
6 <sup>a</sup>	1	1	2	2	0010	001	66.7
6 <sup>a</sup>	1	3	1	1	0011	000	83.3
5 <sup>a</sup>	1	2	1	1	0010	000	80.0
4 <sup>a</sup>	1	1	1	1	0001	000	75.0

a) Setting with a DBT value of 7 or less is valid only when the value of the CnBRP register is other than 00<sub>H</sub>.

---

**Caution** The values in *Table 20-27* do not guarantee the operation of the network system. Thoroughly check the effect on the network system, taking into consideration oscillation errors and delays of the CAN bus and CAN transceiver.

---

## 20.15.2 Representative examples of baud rate settings

Table 20-28 and Table 20-29 show representative examples of baud rate settings.

**Table 20-28 Representative examples of baud rate settings**  
( $f_{CANMOD} = 8 \text{ MHz}$ ) (1/2)

Set baud rate value (unit: kbps)	Division ratio of CnBRP register	CnBRP register set value	Valid bit rate setting (unit: kbps)					CnBTR register setting value		Sampling point (unit: %)
			Length of DBT	SYNC SEGMENT	PROP SEGMENT	PHASE SEGMENT1	PHASE SEGMENT2	TSEG1 [3:0]	TSEG2 [2:0]	
1000	1	00000000	8	1	1	3	3	0011	010	62.5
1000	1	00000000	8	1	3	2	2	0100	001	75.0
1000	1	00000000	8	1	5	1	1	0101	000	87.5
500	1	00000000	16	1	1	7	7	0111	110	56.3
500	1	00000000	16	1	3	6	6	1000	101	62.5
500	1	00000000	16	1	5	5	5	1001	100	68.8
500	1	00000000	16	1	7	4	4	1010	011	75.0
500	1	00000000	16	1	9	3	3	1011	010	81.3
500	1	00000000	16	1	11	2	2	1100	001	87.5
500	1	00000000	16	1	13	1	1	1101	000	93.8
500	2	00000001	8	1	1	3	3	0011	010	62.5
500	2	00000001	8	1	3	2	2	0100	001	75.0
500	2	00000001	8	1	5	1	1	0101	000	87.5
250	2	00000001	16	1	1	7	7	0111	110	56.3
250	2	00000001	16	1	3	6	6	1000	101	62.5
250	2	00000001	16	1	5	5	5	1001	100	68.8
250	2	00000001	16	1	7	4	4	1010	011	75.0
250	2	00000001	16	1	9	3	3	1011	010	81.3
250	2	00000001	16	1	11	2	2	1100	001	87.5
250	2	00000001	16	1	13	1	1	1101	000	93.8
250	4	00000011	8	1	3	2	2	0100	001	75.0
250	4	00000011	8	1	5	1	1	0101	000	87.5
125	4	00000011	16	1	1	7	7	0111	110	56.3
125	4	00000011	16	1	3	6	6	1000	101	62.5
125	4	00000011	16	1	5	5	5	1001	100	68.8
125	4	00000011	16	1	7	4	4	1010	011	75.0
125	4	00000011	16	1	9	3	3	1011	010	81.3
125	4	00000011	16	1	11	2	2	1100	001	87.5
125	4	00000011	16	1	13	1	1	1101	000	93.8
125	8	00000111	8	1	3	2	2	0100	001	75.0
125	8	00000111	8	1	5	1	1	0101	000	87.5
100	4	00000011	20	1	7	6	6	1100	101	70.0
100	4	00000011	20	1	9	5	5	1101	100	75.0
100	5	00000100	16	1	7	4	4	1010	011	75.0
100	5	00000100	16	1	9	3	3	1011	010	81.3

Table 20-28 Representative examples of baud rate settings  
( $f_{CANMOD} = 8 \text{ MHz}$ ) (2/2)

Set baud rate value (unit: kbps)	Division ratio of CnBRP register	CnBRP register set value	Valid bit rate setting (unit: kbps)					CnBTR register setting value		Sampling point (unit: %)
			Length of DBT	SYNC SEGMENT	PROP SEGMENT	PHASE SEGMENT1	PHASE SEGMENT2	TSEG1 [3:0]	TSEG2 [2:0]	
100	8	00000111	10	1	3	3	3	0101	010	70.0
100	8	00000111	10	1	5	2	2	0110	001	80.0
100	10	00001001	8	1	3	2	2	0100	001	75.0
100	10	00001001	8	1	5	1	1	0101	000	87.5
83.3	4	00000011	24	1	7	8	8	1110	111	66.7
83.3	4	00000011	24	1	9	7	7	1111	110	70.8
83.3	6	00000101	16	1	5	5	5	1001	100	68.8
83.3	6	00000101	16	1	7	4	4	1010	011	75.0
83.3	6	00000101	16	1	9	3	3	1011	010	81.3
83.3	6	00000101	16	1	11	2	2	1100	001	87.5
83.3	8	00000111	12	1	5	3	3	0111	010	75.0
83.3	8	00000111	12	1	7	2	2	1000	001	83.3
83.3	12	00001011	8	1	3	2	2	0100	001	75.0
83.3	12	00001011	8	1	5	1	1	0101	000	87.5
33.3	10	00001001	24	1	7	8	8	1110	111	66.7
33.3	10	00001001	24	1	9	7	7	1111	110	70.8
33.3	12	00001011	20	1	7	6	6	1100	101	70.0
33.3	12	00001011	20	1	9	5	5	1101	100	75.0
33.3	15	00001110	16	1	7	4	4	1010	011	75.0
33.3	15	00001110	16	1	9	3	3	1011	010	81.3
33.3	16	00001111	15	1	6	4	4	1001	011	73.3
33.3	16	00001111	15	1	8	3	3	1010	010	80.0
33.3	20	00010011	12	1	5	3	3	0111	010	75.0
33.3	20	00010011	12	1	7	2	2	1000	001	83.3
33.3	24	00010111	10	1	3	3	3	0101	010	70.0
33.3	24	00010111	10	1	5	2	2	0110	001	80.0
33.3	30	00011101	8	1	3	2	2	0100	001	75.0
33.3	30	00011101	8	1	5	1	1	0101	000	87.5

**Caution** The values in *Table 20-28* do not guarantee the operation of the network system. Thoroughly check the effect on the network system, taking into consideration oscillation errors and delays of the CAN bus and CAN transceiver.



Table 20-29 Representative examples of baud rate settings  
( $f_{CANMOD} = 16 \text{ MHz}$ ) (1/2)

Set baud rate value (unit: kbps)	Division ratio of CnBRP register	CnBRP register set value	Valid bit rate setting (unit: kbps)					CnBTR register setting value		Sampling point (unit: %)
			Length of DBT	SYNC SEGMENT	PROP SEGMENT	PHASE SEGMENT1	PHASE SEGMENT2	TSEG1 [3:0]	TSEG2 [2:0]	
1000	1	00000000	16	1	1	7	7	0111	110	56.3
1000	1	00000000	16	1	3	6	6	1000	101	62.5
1000	1	00000000	16	1	5	5	5	1001	100	68.8
1000	1	00000000	16	1	7	4	4	1010	011	75.0
1000	1	00000000	16	1	9	3	3	1011	010	81.3
1000	1	00000000	16	1	11	2	2	1100	001	87.5
1000	1	00000000	16	1	13	1	1	1101	000	93.8
1000	2	00000001	8	1	3	2	2	0100	001	75.0
1000	2	00000001	8	1	5	1	1	0101	000	87.5
500	2	00000001	16	1	1	7	7	0111	110	56.3
500	2	00000001	16	1	3	6	6	1000	101	62.5
500	2	00000001	16	1	5	5	5	1001	100	68.8
500	2	00000001	16	1	7	4	4	1010	011	75.0
500	2	00000001	16	1	9	3	3	1011	010	81.3
500	2	00000001	16	1	11	2	2	1100	001	87.5
500	2	00000001	16	1	13	1	1	1101	000	93.8
500	4	00000011	8	1	3	2	2	0100	001	75.0
500	4	00000011	8	1	5	1	1	0101	000	87.5
250	4	00000011	16	1	3	6	6	1000	101	62.5
250	4	00000011	16	1	5	5	5	1001	100	68.8
250	4	00000011	16	1	7	4	4	1010	011	75.0
250	4	00000011	16	1	9	3	3	1011	010	81.3
250	4	00000011	16	1	11	2	2	1100	001	87.5
250	8	00000111	8	1	3	2	2	0100	001	75.0
250	8	00000111	8	1	5	1	1	0101	000	87.5
125	8	00000111	16	1	3	6	6	1000	101	62.5
125	8	00000111	16	1	7	4	4	1010	011	75.0
125	8	00000111	16	1	9	3	3	1011	010	81.3
125	8	00000111	16	1	11	2	2	1100	001	87.5
125	16	00001111	8	1	3	2	2	0100	001	75.0
125	16	00001111	8	1	5	1	1	0101	000	87.5
100	8	00000111	20	1	9	5	5	1101	100	75.0
100	8	00000111	20	1	11	4	4	1110	011	80.0
100	10	00001001	16	1	7	4	4	1010	011	75.0
100	10	00001001	16	1	9	3	3	1011	010	81.3
100	16	00001111	10	1	3	3	3	0101	010	70.0
100	16	00001111	10	1	5	2	2	0110	001	80.0
100	20	00010011	8	1	3	2	2	0100	001	75.0

Table 20-29 Representative examples of baud rate settings  
( $f_{CANMOD} = 16 \text{ MHz}$ ) (2/2)

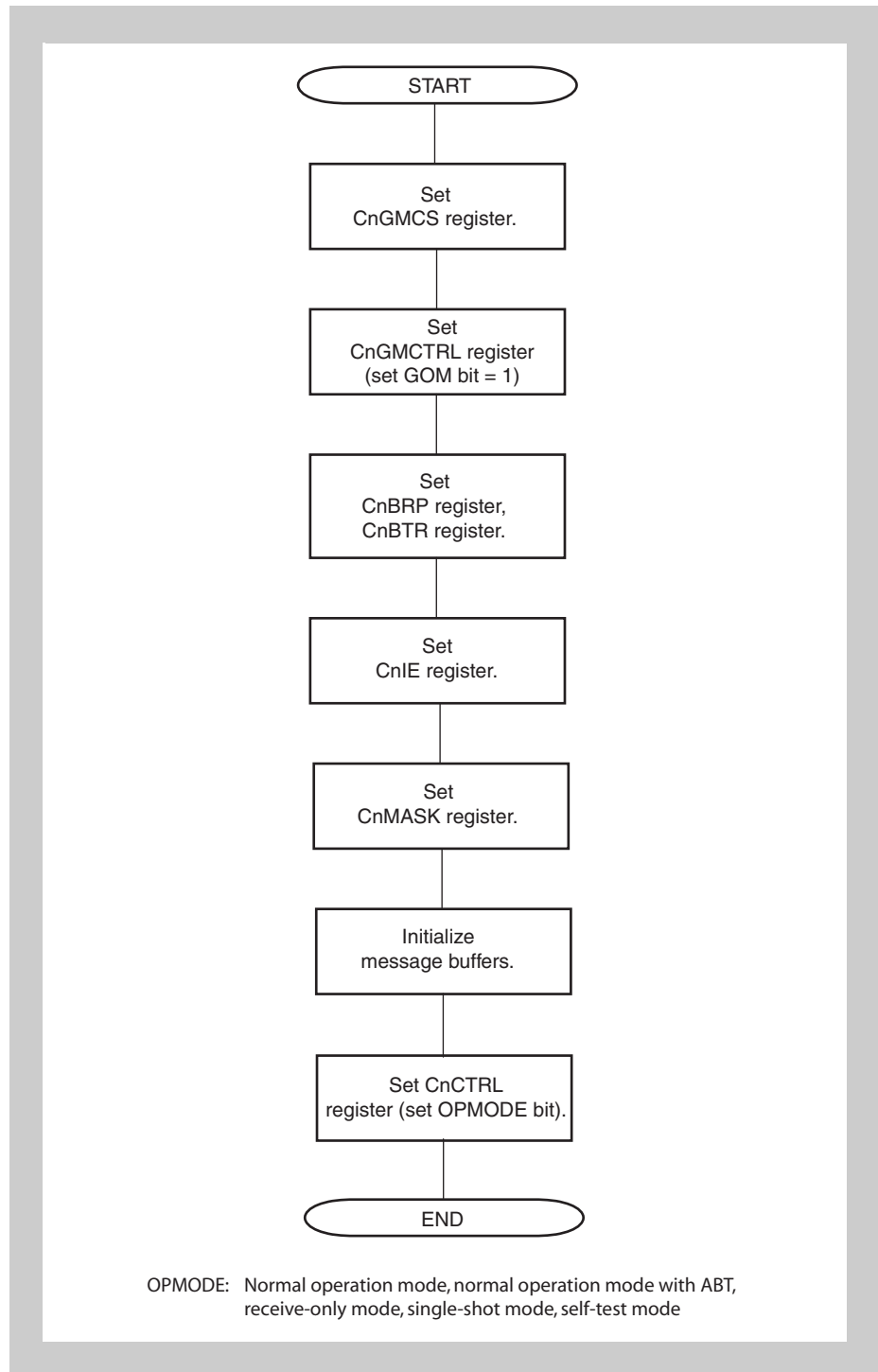
Set baud rate value (unit: kbps)	Division ratio of CnBRP register	CnBRP register set value	Valid bit rate setting (unit: kbps)					CnBTR register setting value		Sampling point (unit: %)
			Length of DBT	SYNC SEGMENT	PROP SEGMENT	PHASE SEGMENT1	PHASE SEGMENT2	TSEG1 [3:0]	TSEG2 [2:0]	
83.3	8	00000111	24	1	7	8	8	1110	111	66.7
83.3	8	00000111	24	1	9	7	7	1111	110	70.8
83.3	12	00001011	16	1	7	4	4	1010	011	75.0
83.3	12	00001011	16	1	9	3	3	1011	010	81.3
83.3	12	00001011	16	1	11	2	2	1100	001	87.5
83.3	16	00001111	12	1	5	3	3	0111	010	75.0
83.3	16	00001111	12	1	7	2	2	1000	001	83.3
83.3	24	00010111	8	1	3	2	2	0100	001	75.0
83.3	24	00010111	8	1	5	1	1	0101	000	87.5
33.3	30	00011101	24	1	7	8	8	1110	111	66.7
33.3	30	00011101	24	1	9	7	7	1111	110	70.8
33.3	24	00010111	20	1	9	5	5	1101	100	75.0
33.3	24	00010111	20	1	11	4	4	1110	011	80.0
33.3	30	00011101	16	1	7	4	4	1010	011	75.0
33.3	30	00011101	16	1	9	3	3	1011	010	81.3
33.3	32	00011111	15	1	8	3	3	1010	010	80.0
33.3	32	00011111	15	1	10	2	2	1011	001	86.7
33.3	37	00100100	13	1	6	3	3	1000	010	76.9
33.3	37	00100100	13	1	8	2	2	1001	001	84.6
33.3	40	00100111	12	1	5	3	3	0111	010	75.0
33.3	40	00100111	12	1	7	2	2	1000	001	83.3
33.3	48	00101111	10	1	3	3	3	0101	010	70.0
33.3	48	00101111	10	1	5	2	2	0110	001	80.0
33.3	60	00111011	8	1	3	2	2	0100	001	75.0
33.3	60	00111011	8	1	5	1	1	0101	000	87.5

**Caution** The values in *Table 20-29* do not guarantee the operation of the network system. Thoroughly check the effect on the network system, taking into consideration oscillation errors and delays of the CAN bus and CAN transceiver.

## 20.16 Operation of CAN Controller

The processing procedure for showing in this chapter is recommended processing procedure to operate CAN controller.

Develop the program referring to recommended processing procedure in this chapter.



www.DataSheet4U.com

Figure 20-35 Initialization

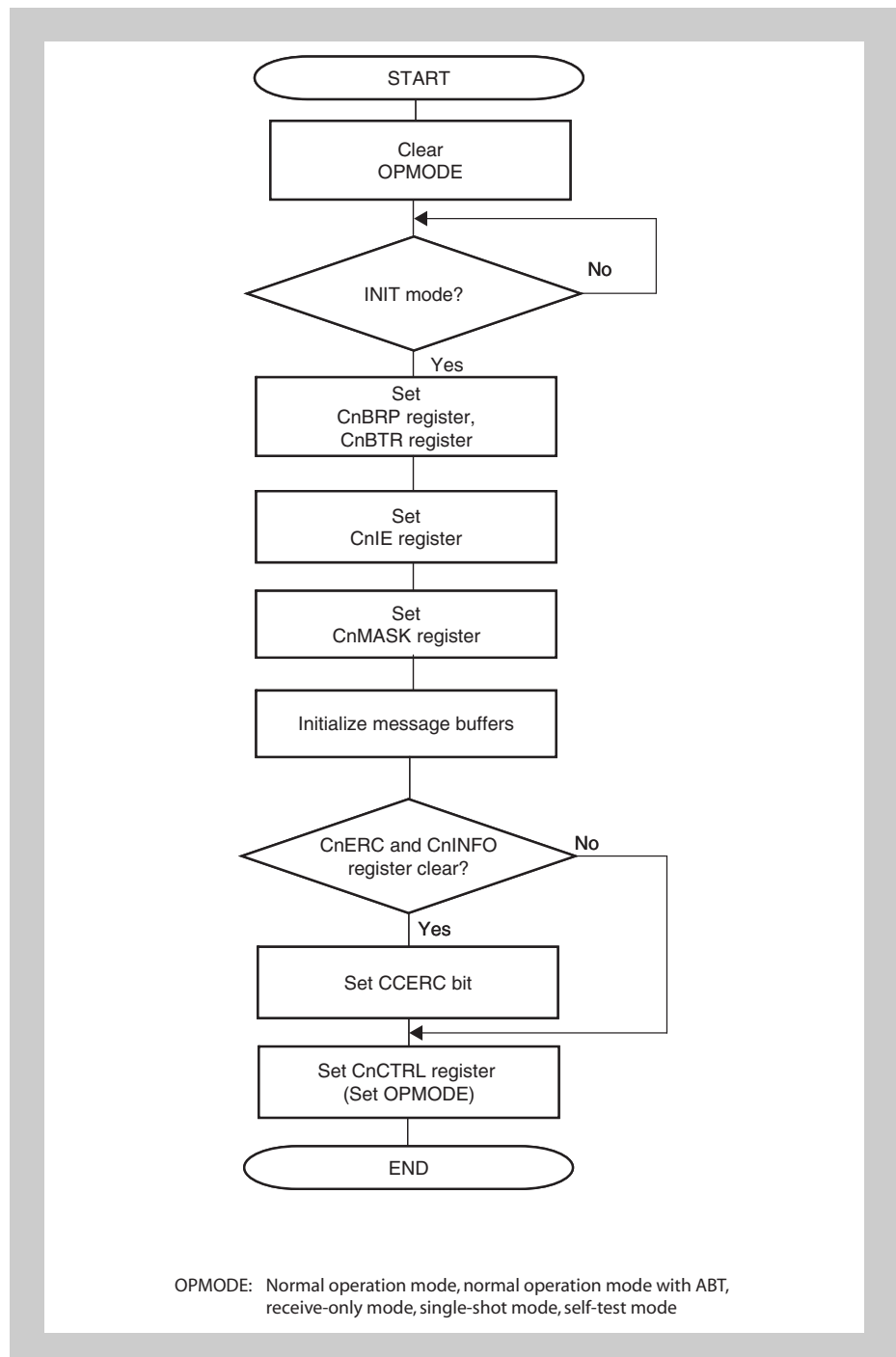


Figure 20-36 Re-initialization

**Caution** After setting the CAN module to the initialization mode, avoid setting the module to another operation mode immediately after. If it is necessary to immediately set the module to another operation mode, be sure to access registers other than the CnCTRL and CnGMCTRL registers (e.g., set a message buffer).

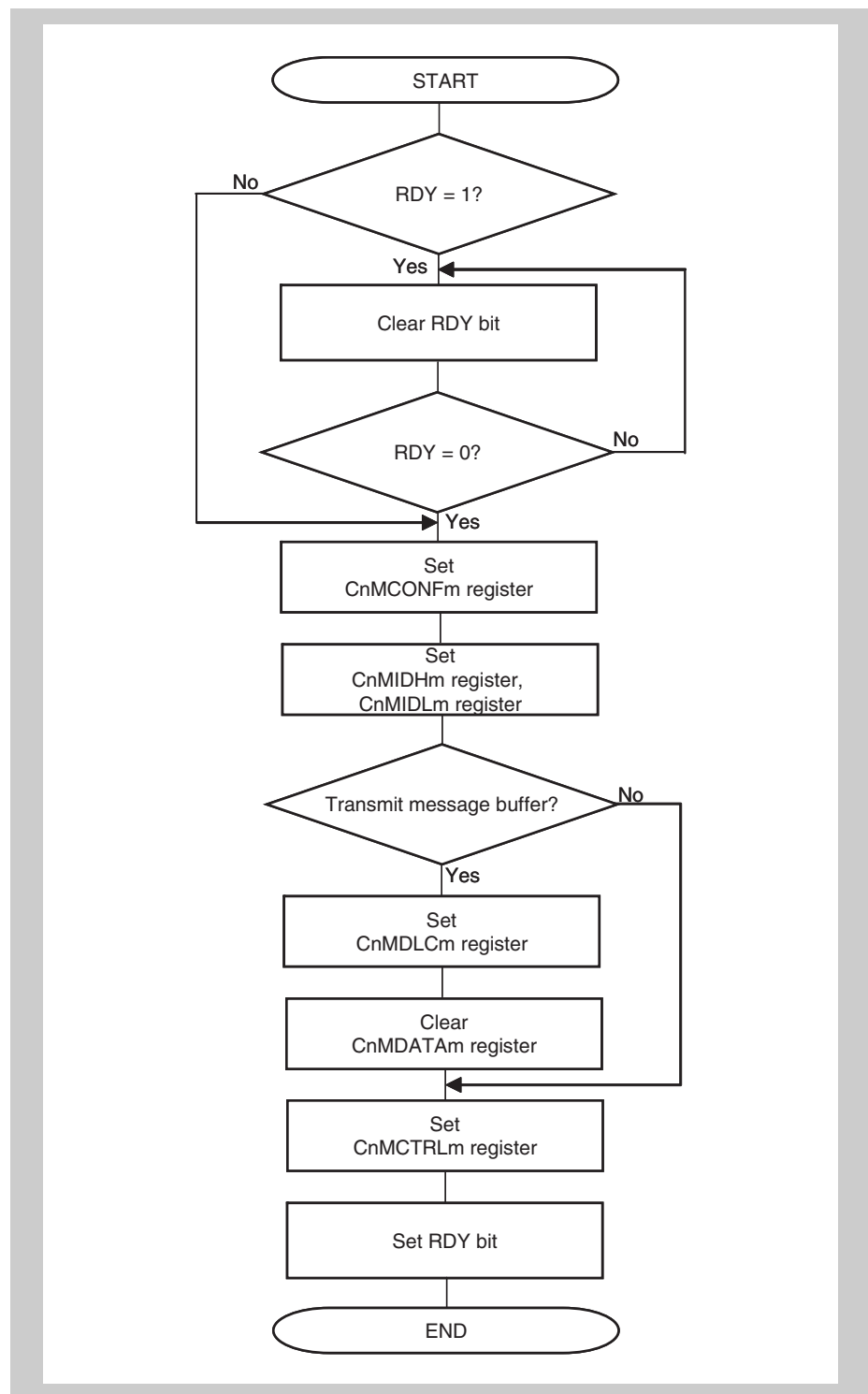


Figure 20-37 Message buffer initialization

www.DataSheet4U.com **Caution**

1. Before a message buffer is initialized, the RDY bit must be cleared.
2. Make the following settings for message buffers not used by the application.
  - Clear the RDY, TRQ, and DN bits of the CnMCTRLm register to 0.
  - Clear the MA0 bit of the CnMCONFm register to 0.

Figure 20-38 shows the processing for a receive message buffer (MT[2:0] bits of CnMCONFm register = 001<sub>B</sub> to 101<sub>B</sub>).

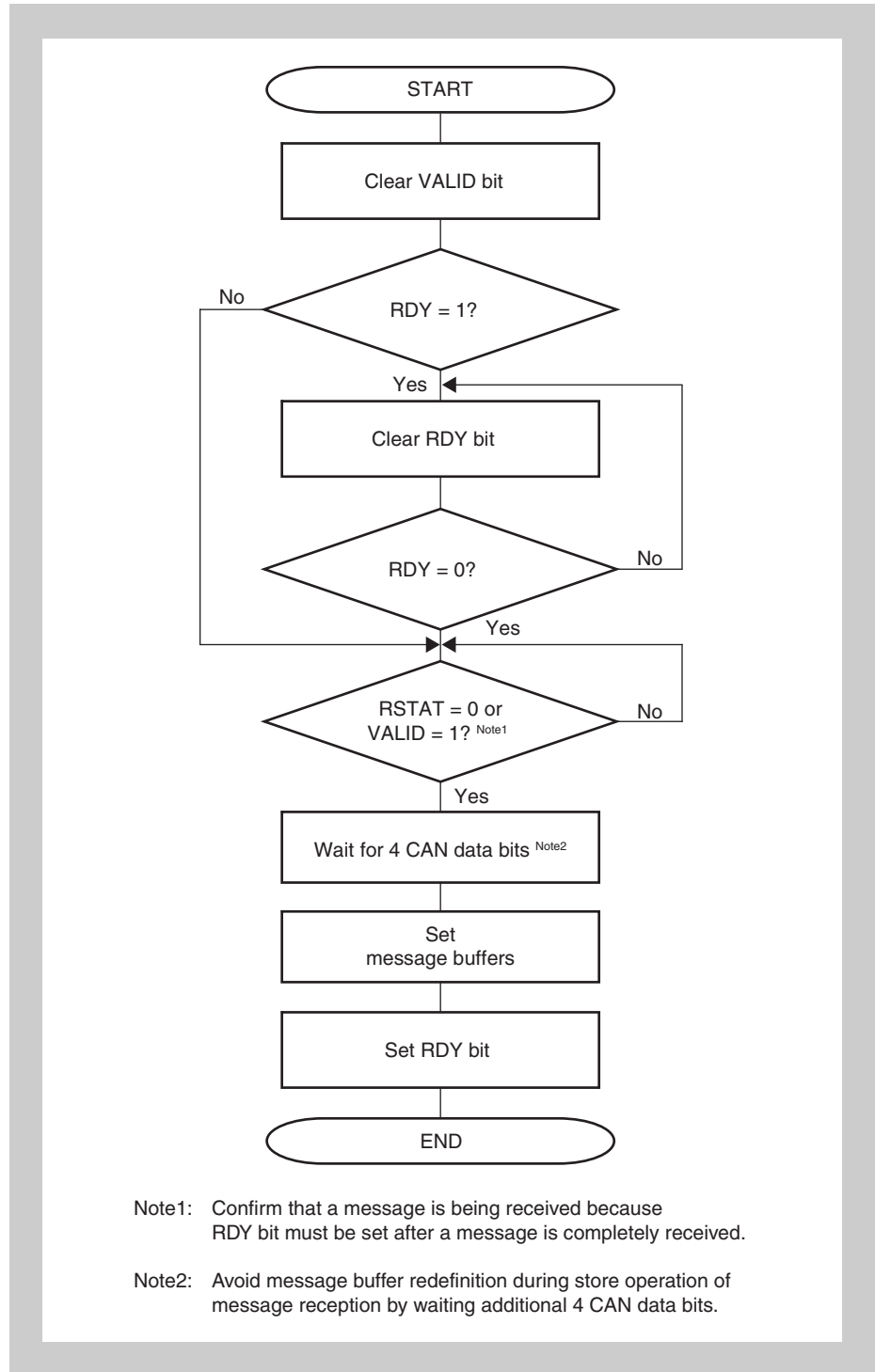


Figure 20-38 Message buffer redefinition

www.DataSheet4U.com

Figure 20-39 shows the processing for a transmit message buffer during transmission (MT[2:0] bits of CnMCONFm register = 000<sub>B</sub>).

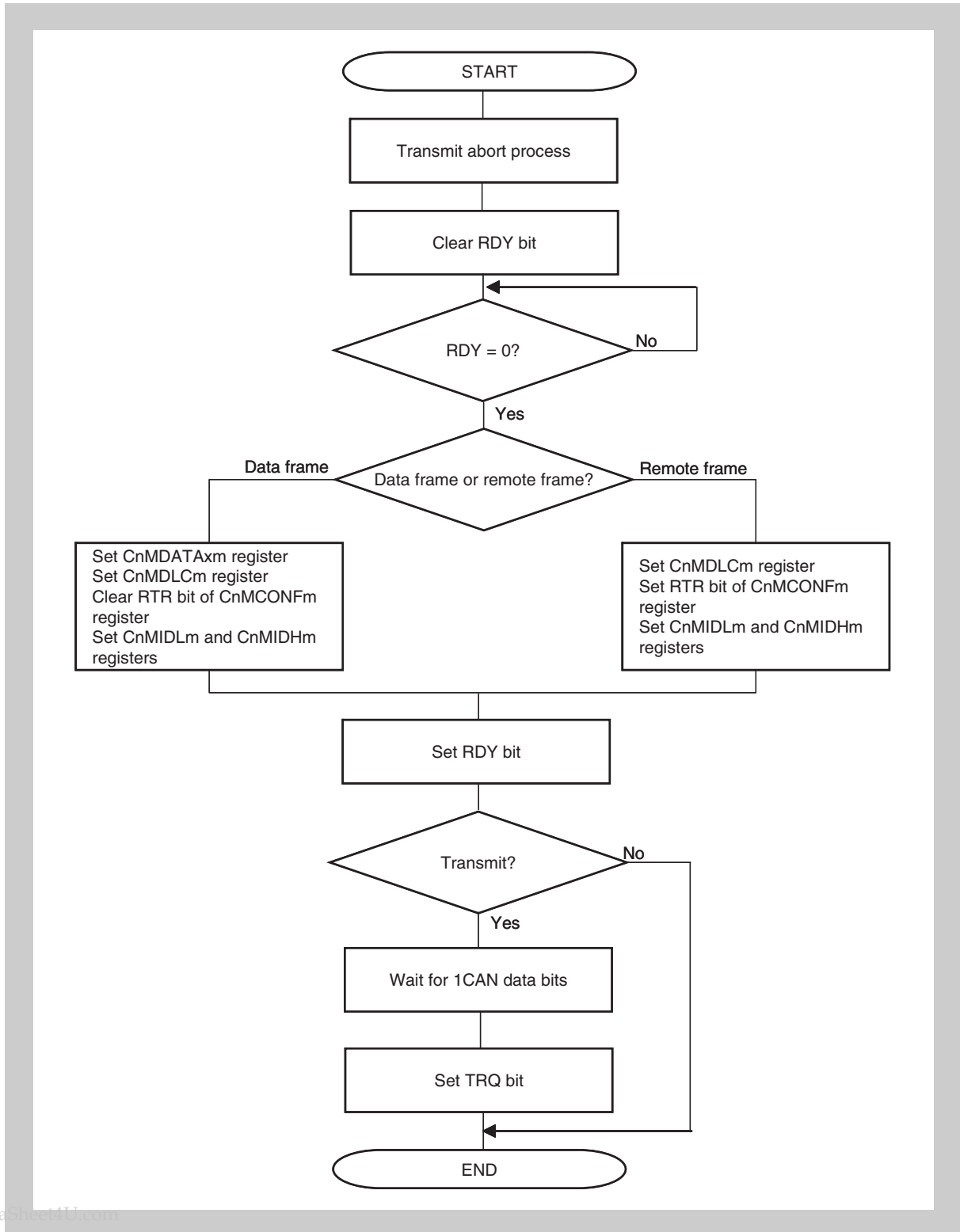


Figure 20-39 Message buffer redefinition during transmission

Figure 20-40 shows the processing for a transmit message buffer (MT[2:0] bits of CnMCONFm register = 000<sub>B</sub>).

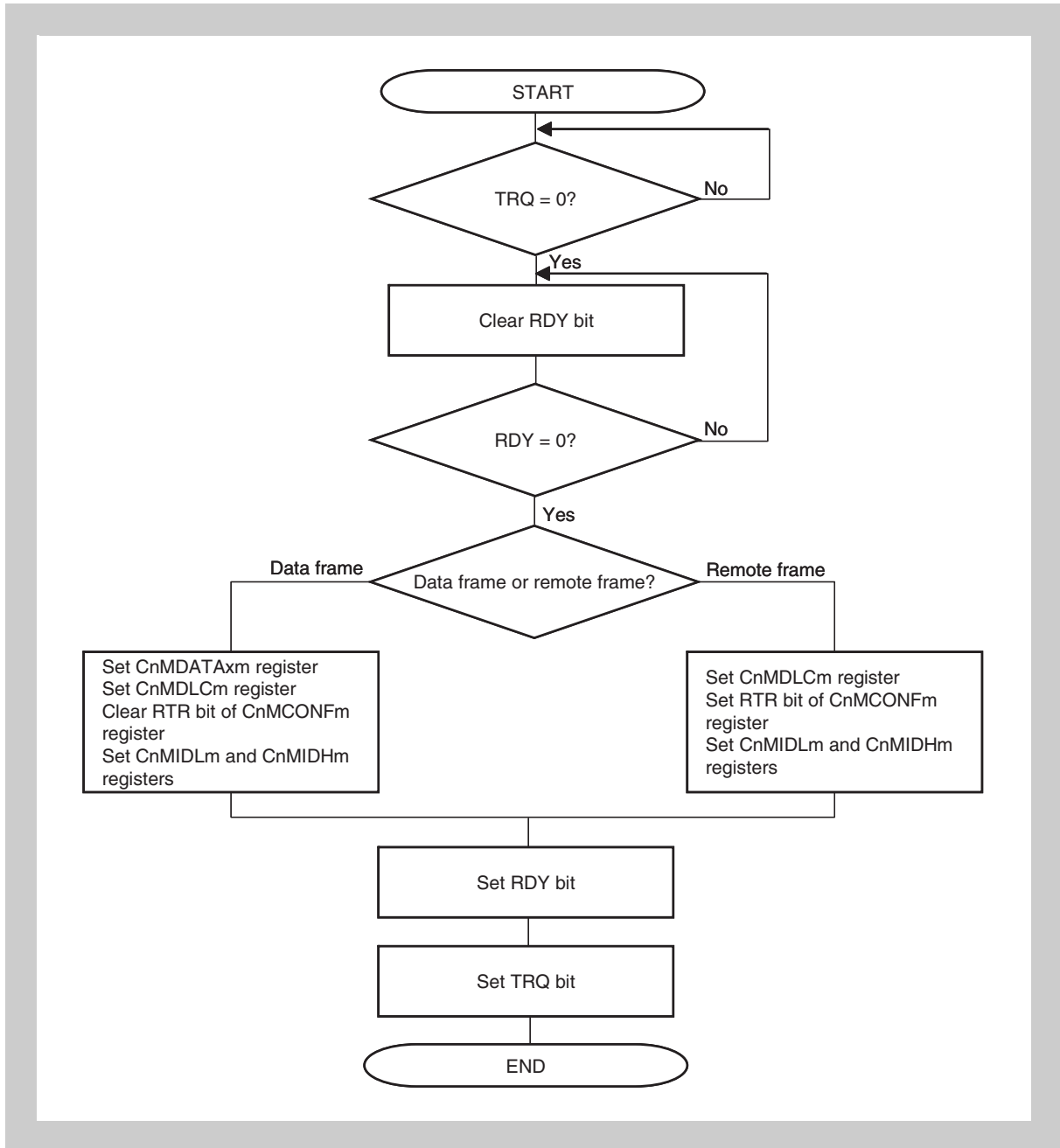


Figure 20-40 Message transmit processing

- Caution**
1. The TRQ bit should be set after the RDY bit is set.
  2. The RDY bit and TRQ bit should not be set at the same time.



Figure 20-41 shows the processing for a transmit message buffer (MT[2:0] bits of CnMCONFm register = 000<sub>B</sub>)

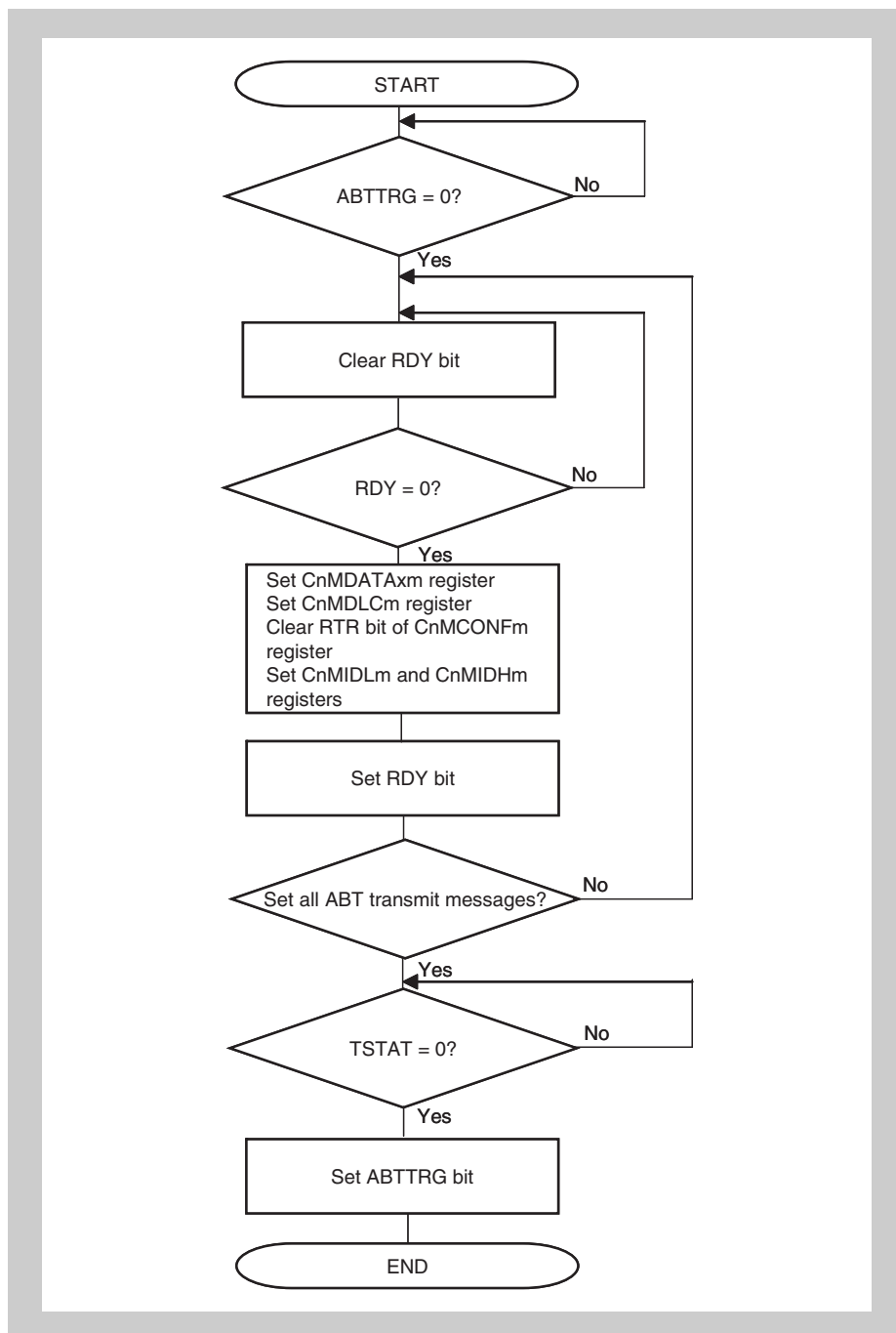


Figure 20-41 ABT message transmit processing

**Note** This processing (normal operation mode with ABT) can only be applied to message buffers 0 to 7. For message buffers other than the ABT message buffers, see *Figure 20-40 on page 834*.

www.DataSheet4U.com

**Caution** The ABTTRG bit should be set to 1 after the TSTAT bit is cleared to 0. Checking the TSTAT bit and setting the ABTTRG bit to 1 must be processed consecutively.

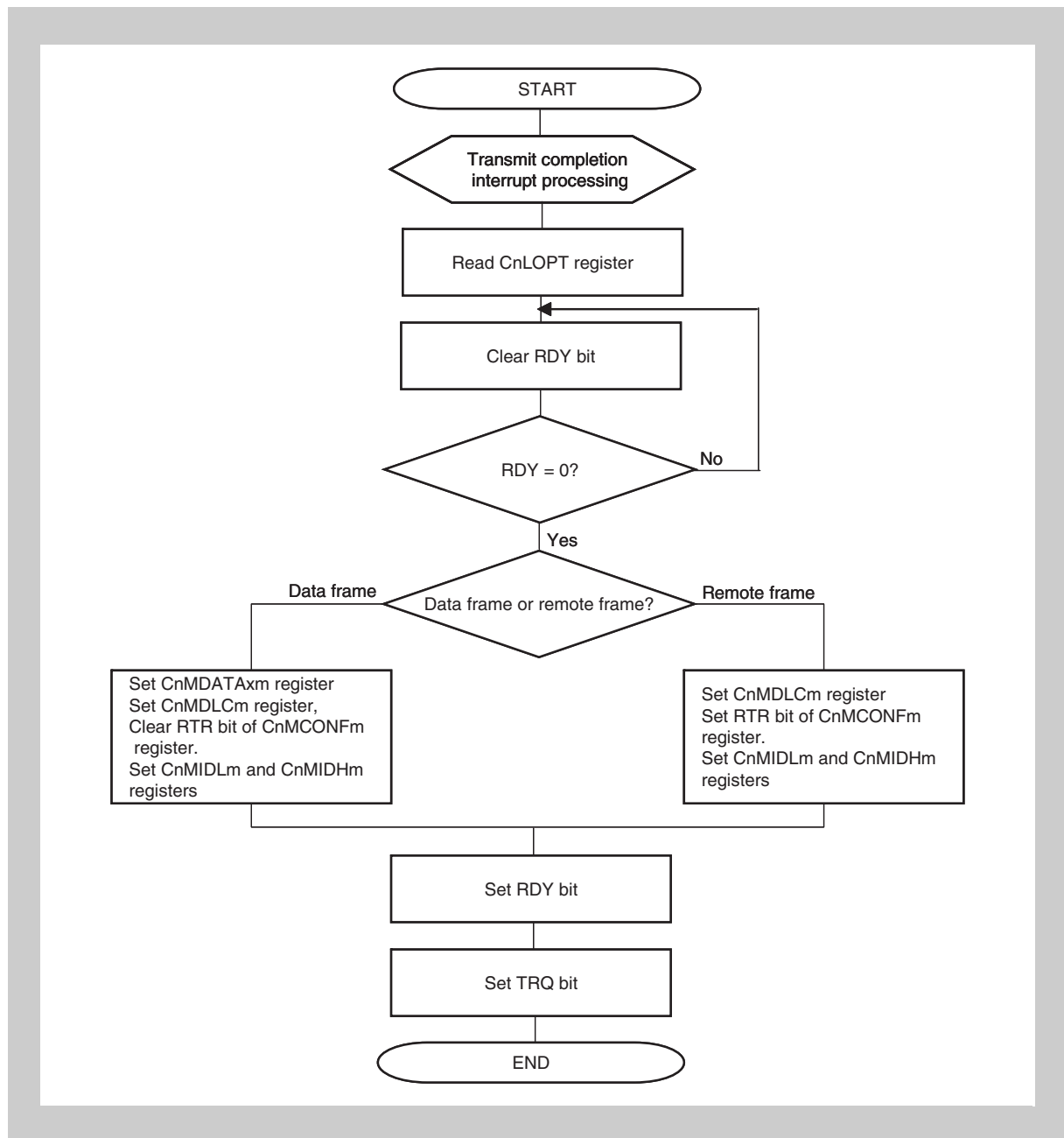


Figure 20-42 Transmission via interrupt (using CnLOPT register)

- Caution**
1. The TRQ bit should be set after the RDY bit is set.
  2. The RDY bit and TRQ bit should not be set at the same time.

www.DataSheet4U.com

**Note** Also check the MBON flag at the beginning and at the end of the interrupt routine, in order to check the access to the message buffers as well as TX history list registers, in case a pending sleep mode had been executed. If MBON is detected to be cleared at any check, the actions and results of the processing have to be discarded and processed again, after MBON is set again.  
It is recommended to cancel any sleep mode requests, before processing TX interrupts.

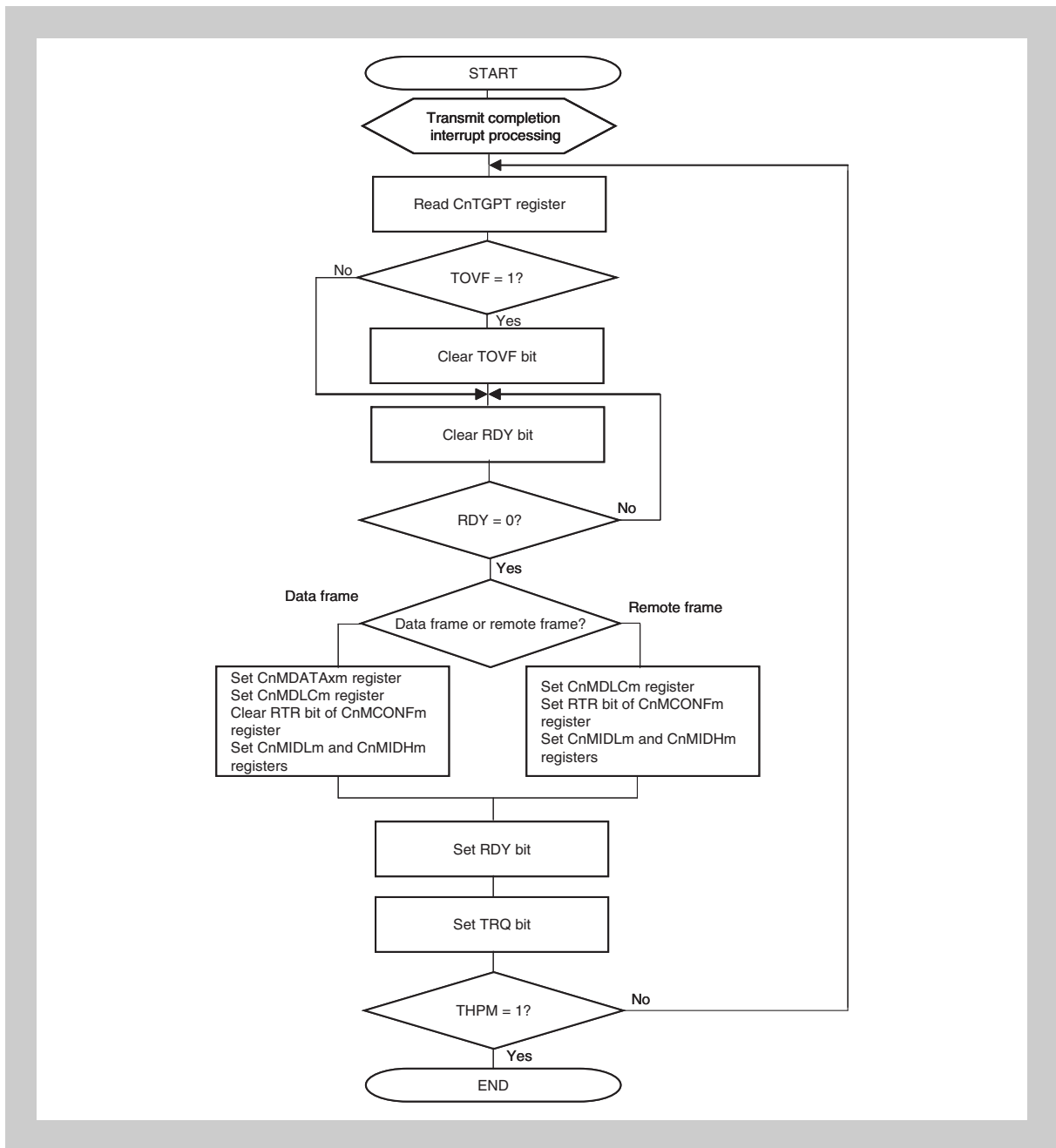


Figure 20-43 Transmission via interrupt (using CnTGPT register)

- Caution**
1. The TRQ bit should be set after the RDY bit is set.
  2. The RDY bit and TRQ bit should not be set at the same time.

www.DataSheet4U.com

- Note**
1. Also check the MBON flag at the beginning and at the end of the interrupt routine, in order to check the access to the message buffers as well as TX history list registers, in case a pending sleep mode had been executed. If MBON is detected to be cleared at any check, the actions and results of

the processing have to be discarded and processed again, after MBON is set again.

It is recommended to cancel any sleep mode requests, before processing TX interrupts.

2. If TOVF was set once, the transmit history list is inconsistent. Consider to scan all configured transmit buffers for completed transmissions.

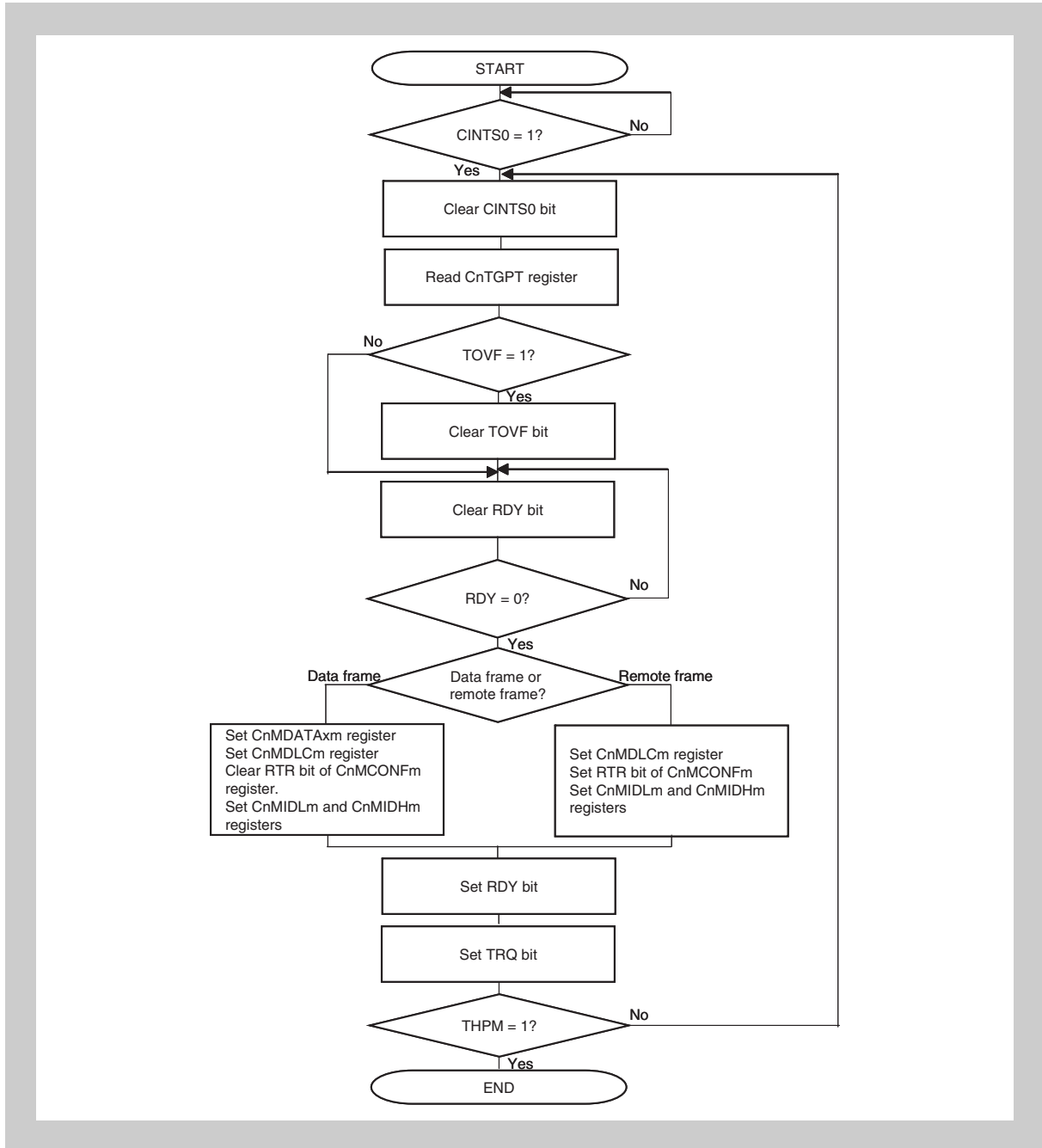
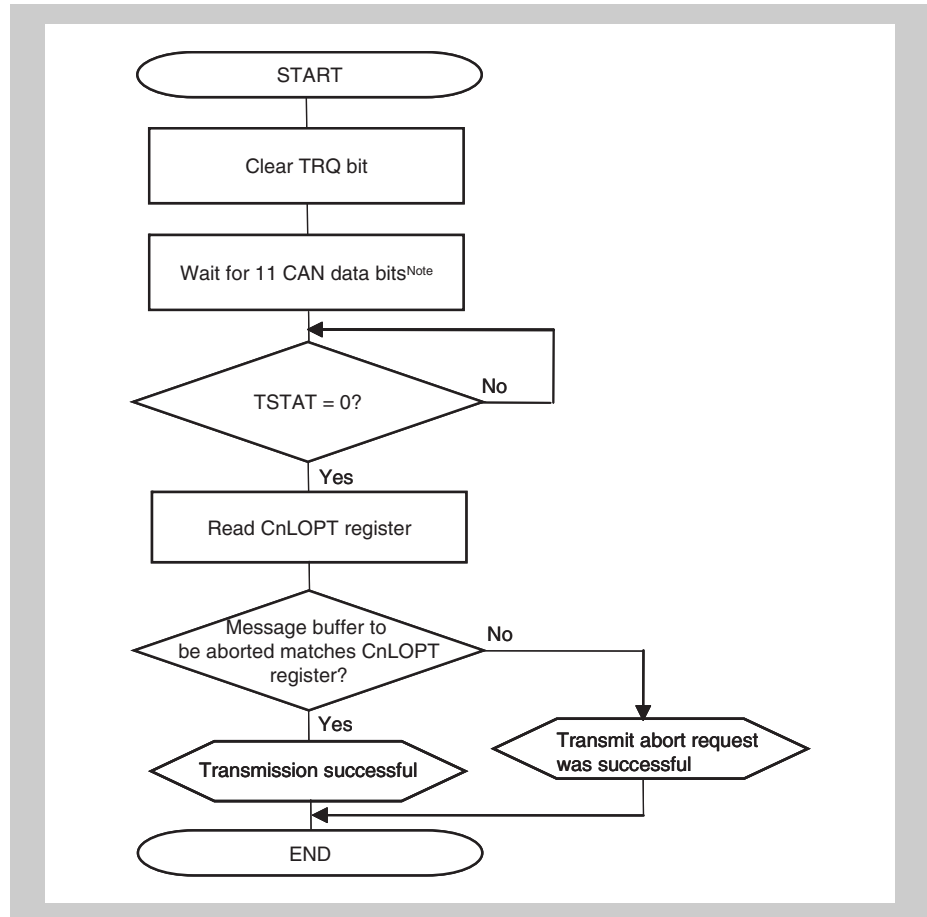


Figure 20-44 Transmission via software polling

www.DataSheet4U.com

- Caution**
1. The TRQ bit should be set after the RDY bit is set.
  2. The RDY bit and TRQ bit should not be set at the same time.

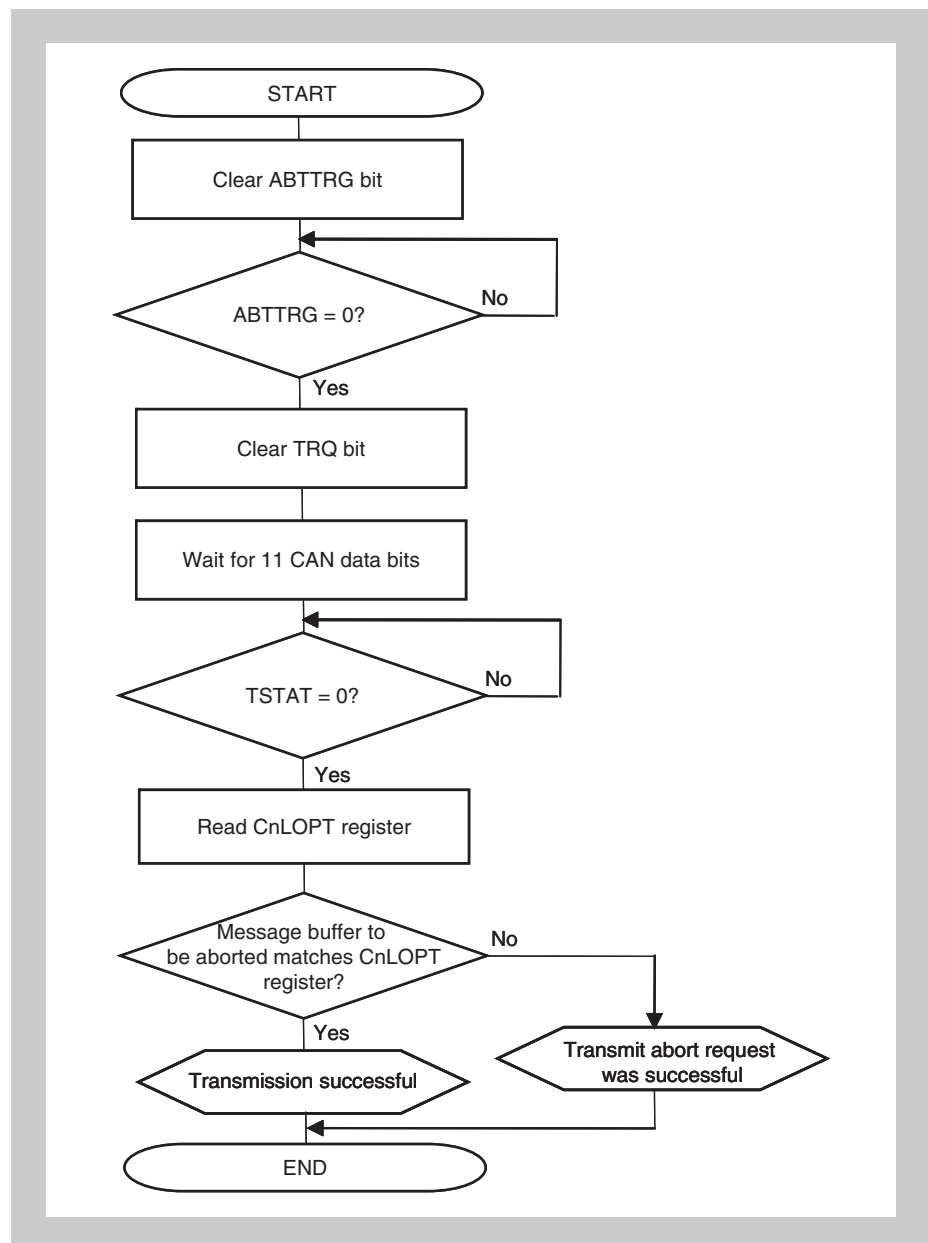
- Note**
1. Also check the MBON flag at the beginning and at the end of the polling routine, in order to check the access to the message buffers as well as TX history list registers, in case a pending sleep mode had been executed. If MBON is detected to be cleared at any check, the actions and results of the processing have to be discarded and processed again, after MBON is set again.
  2. If TOVF was set once, the transmit history list is inconsistent. Consider to scan all configured transmit buffers for completed transmissions.



**Figure 20-45** Transmission abort processing (except normal operation mode with ABT)

- Note** There is a possibility of starting the transmission without being aborted even if TRQ bit is cleared, because the transmission request to protocol layer might already been accepted between 11 bits, total of interframe space (3 bits) and suspend transmission (8 bits).

- Caution**
1. Clear the TRQ bit for aborting transmission request, not the RDY bit.
  2. Before making a sleep mode transition request, confirm that there is no transmission request left using this processing.
  3. The TSTAT bit can be periodically checked by a user application or can be checked after the transmit completion interrupt.
  4. Do not execute any new transmission request including in the other message buffers while transmission abort processing is in progress.



**Figure 20-46** Transmission abort processing except for ABT transmission (normal operation mode with ABT)

- Caution**
1. Clear the TRQ bit for aborting transmission request, not the RDY bit.
  2. Before making a sleep mode transition request, confirm that there is no transmission request left using this processing.
  3. The TSTAT bit can be periodically checked by a user application or can be checked after the transmit completion interrupt.
  4. Do not execute any new transmission request including in the other message buffers while transmission abort processing is in progress.

Figure 20-47 shows the processing to skip resumption of transmitting a message that was stopped when transmission of an ABT message buffer was aborted.

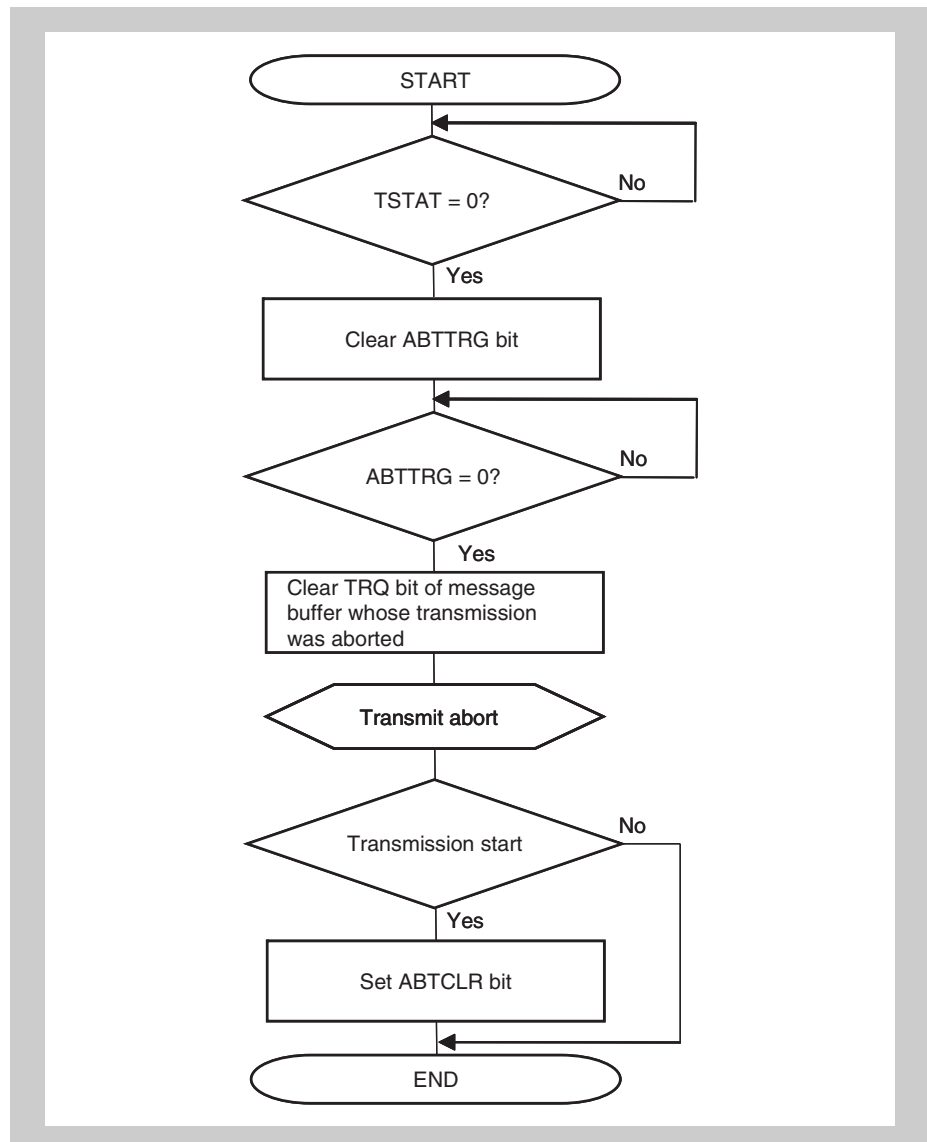
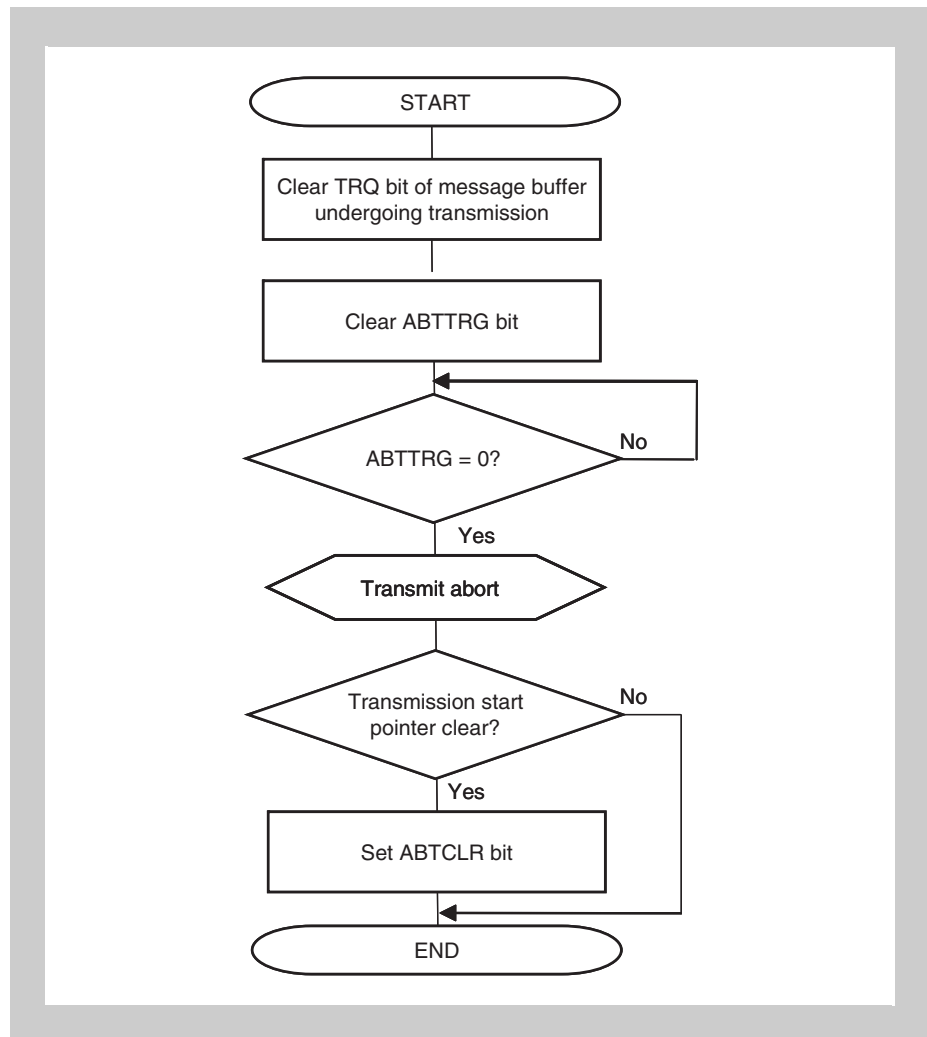


Figure 20-47 Transmission abort processing (normal operation mode with ABT)

- Caution**
1. Do not set any transmission requests while ABT transmission abort processing is in progress.
  2. Make a CAN sleep mode/CAN stop mode transition request after the ABTTRG bit is cleared (after ABT mode is aborted) following the procedure shown in *Figure 20-47* or *Figure 20-48*. When clearing a transmission request in an area other than the ABT area, follow the procedure shown in *Figure 20-45* on page 839.

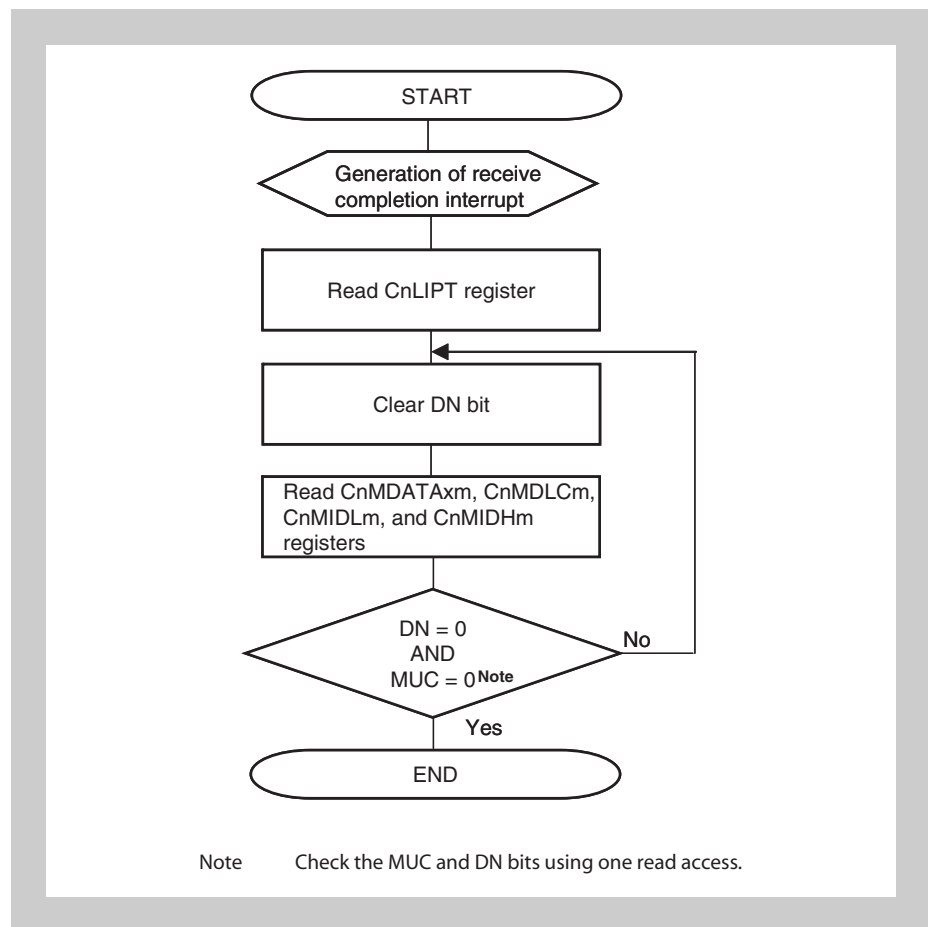
Figure 20-48 shows the processing to not skip resumption of transmitting a message that was stopped when transmission of an ABT message buffer was aborted.



**Figure 20-48** ABT transmission request abort processing (normal operation mode with ABT)

- Caution**
1. Do not set any transmission requests while ABT transmission abort processing is in progress.
  2. Make a CAN sleep mode/CAN stop mode request after the ABTTRG bit is cleared (after ABT mode is stopped) following the procedure shown in *Figure 20-47* or *Figure 20-48*. When clearing a transmission request in an area other than the ABT area, follow the procedure shown in *Figure 20-45* on page 839.





**Figure 20-49 Reception via interrupt (using CnLIPT register)**

**Note** Also check the MBON flag at the beginning and at the end of the interrupt routine, in order to check the access to the message buffers as well as reception history list registers, in case a pending sleep mode had been executed. If MBON is detected to be cleared at any check, the actions and results of the processing have to be discarded and processed again, after MBON is set again. It is recommended to cancel any sleep mode requests, before processing RX interrupts.

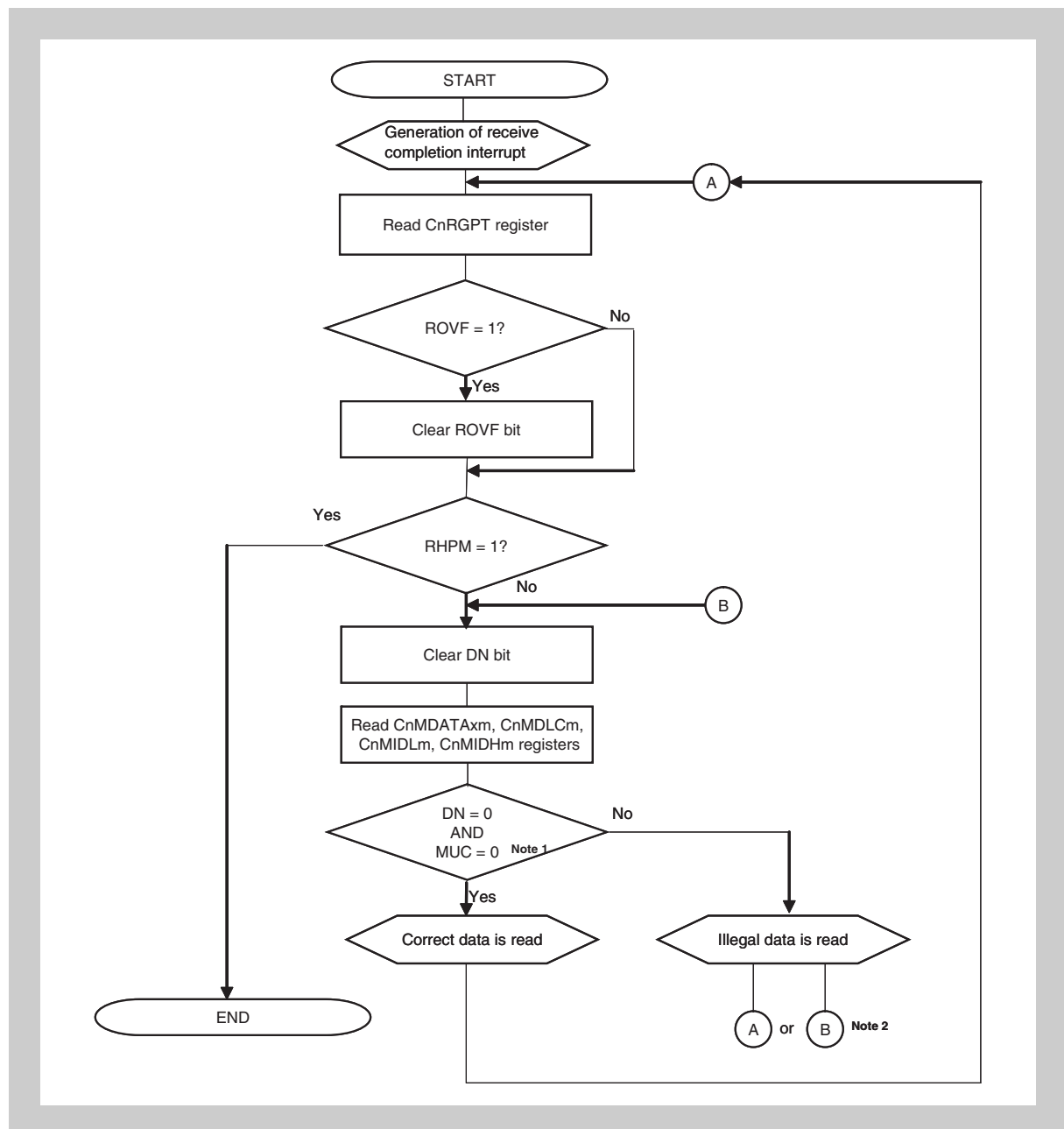


Figure 20-50 Reception via interrupt (using CnRGPT register)

- Note**
1. Check the MUC and DN bits using one read access.
  2. Depending of the processing target of the application, two ways are possible:
    - Way A: The message is not processed within this pass, but with the next pass, depending on the timing this can happen latest with the next Receive Interrupt. Other messages will be processed earlier.
    - Way B: The message is processed within this pass, the loop waits on this message. Other messages will be processed later.

3. Also check the MBON flag at the beginning and at the end of the interrupt routine, in order to check the access to the message buffers as well as reception history list registers, in case a pending sleep mode had been executed. If MBON is detected to be cleared at any check, the actions and results of the processing have to be discarded and processed again, after MBON is set again.  
It is recommended to cancel any sleep mode requests, before processing RX interrupts.
4. If ROVF was set once, the receive history list is inconsistent. Consider to scan all configured receive buffers for receptions.

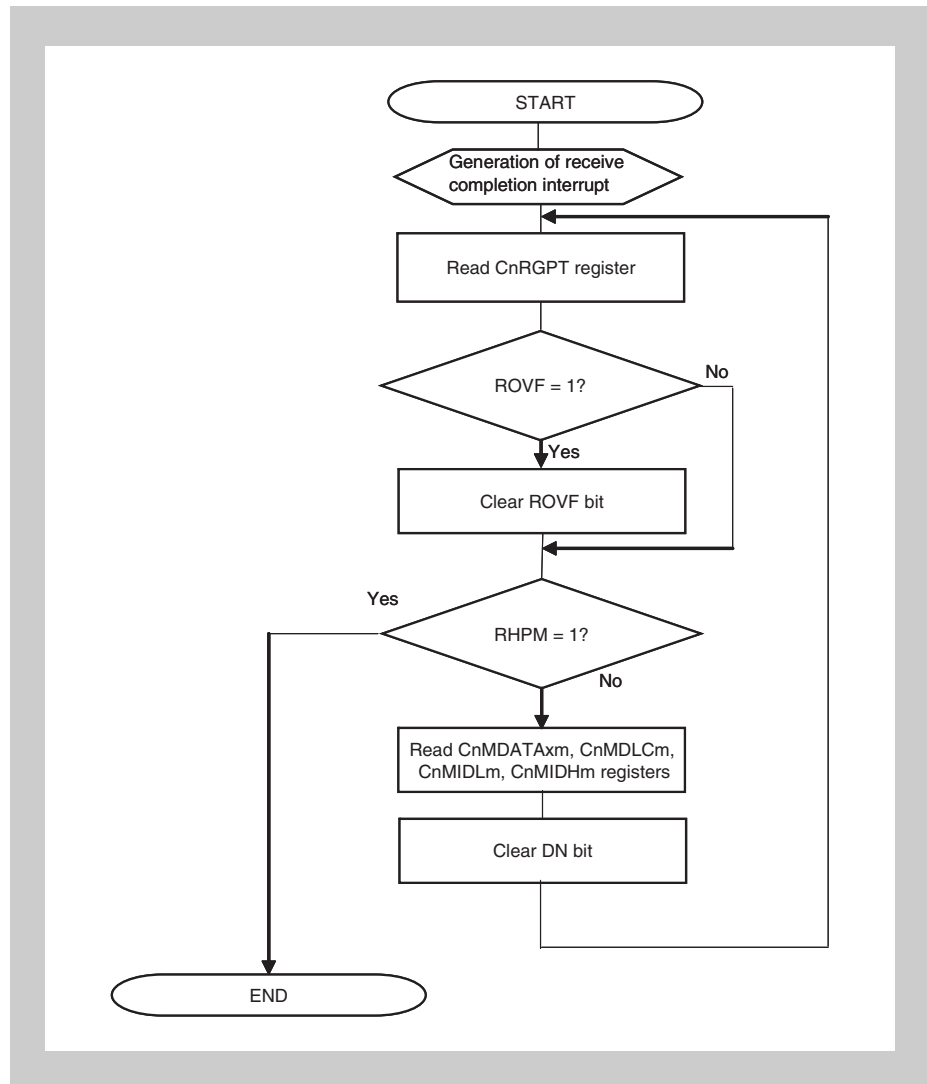
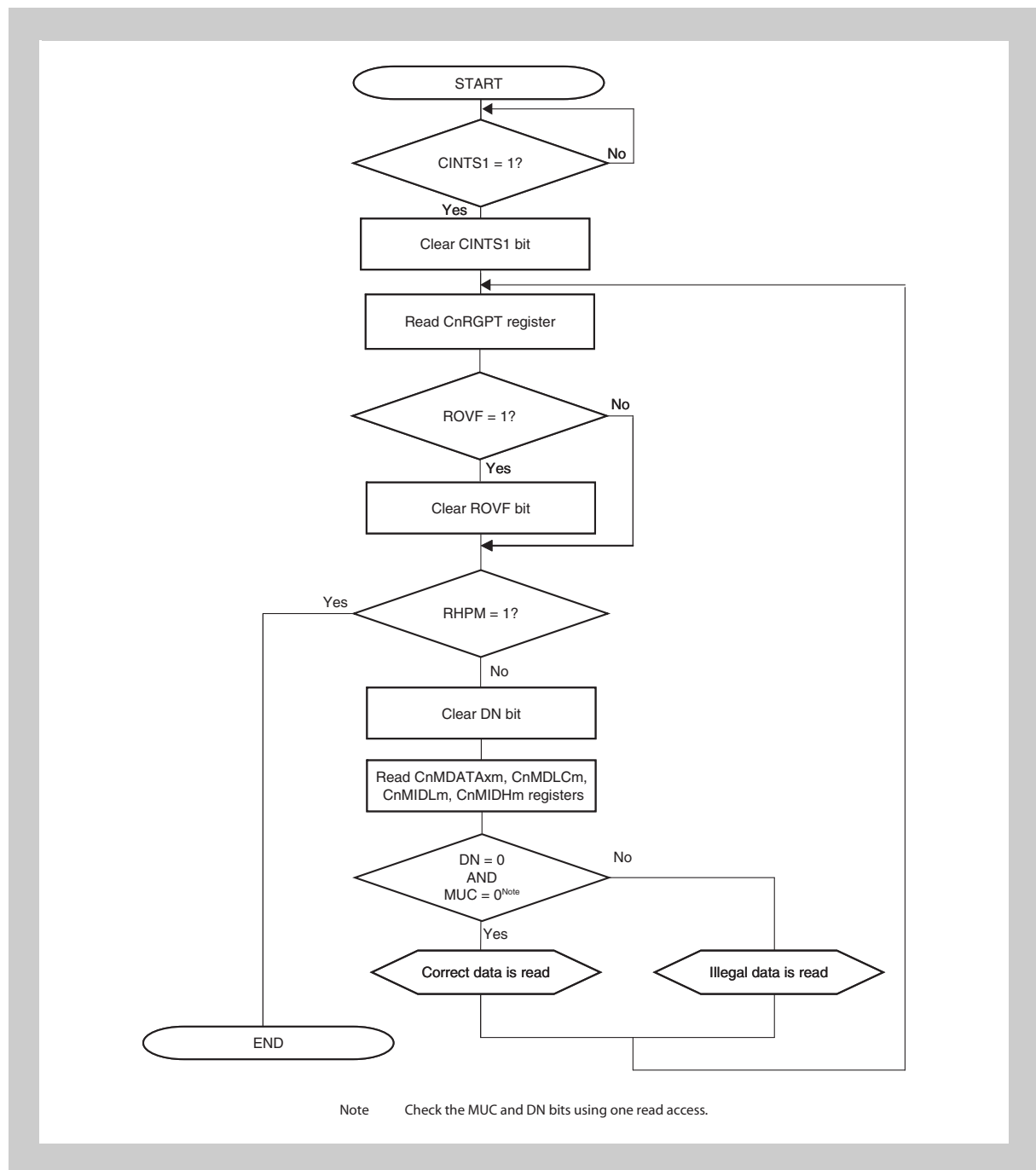


Figure 20-51 Reception via interrupt (using CnRGPT register), alternative way

- Note**
1. Also check the MBON flag at the beginning and at the end of the interrupt routine, in order to check the access to the message buffers as well as reception history list registers, in case a pending sleep mode had been executed. If MBON is detected to be cleared at any check, the actions and results of the processing have to be discarded and processed again, after MBON is set again.  
It is recommended to cancel any sleep mode requests, before processing RX interrupts.
  2. If ROVF was set once, the receive history list is inconsistent. Consider to scan all configured receive buffers for receptions.

3. This flow will not provide most recently received data for the application. However, due to less effort on processing, it reduces interrupt load.
4. The overwrite function (CnMCONFm.OWS=1) must not be used with this flow - data inconsistency could occur.
5. It can be used alternatively to *Figure 20-50 on page 844*.



**Figure 20-52 Reception via software polling**

- Note**
1. Also check the MBON flag at the beginning and at the end of the polling routine, in order to check the access to the message buffers as well as reception history list registers, in case a pending sleep mode had been executed. If MBON is detected to be cleared at any check, the actions and results of the processing have to be discarded and processed again, after MBON is set again.
  2. If ROVF was set once, the receive history list is inconsistent. Consider to scan all configured receive buffers for receptions.

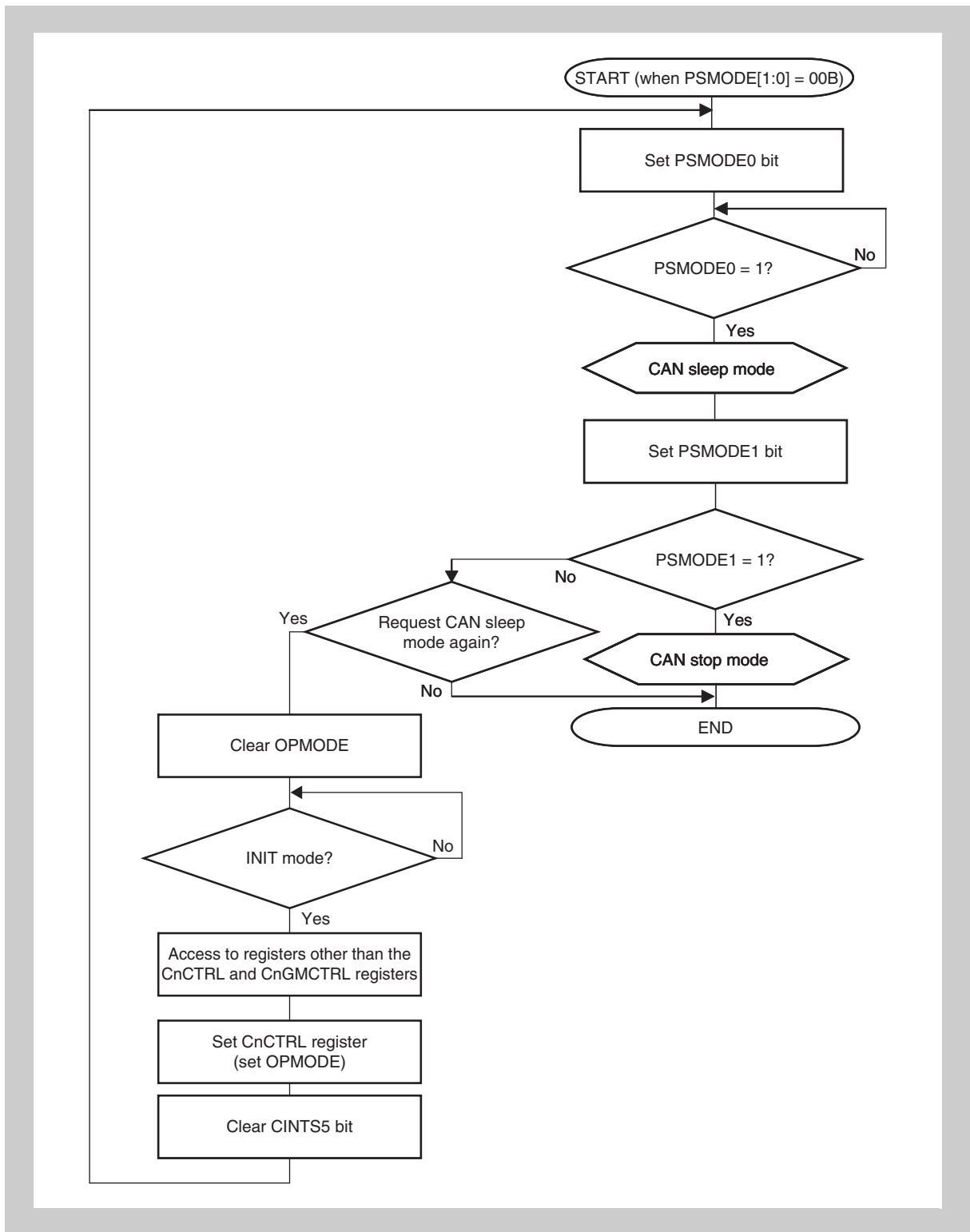


Figure 20-53 Setting CAN sleep mode/stop mode

www.DataSheet4U.com

**Caution** To abort transmission before making a request for the CAN sleep mode, perform processing according to Figure 20-45 on page 839 and Figure 20-47 on page 841.

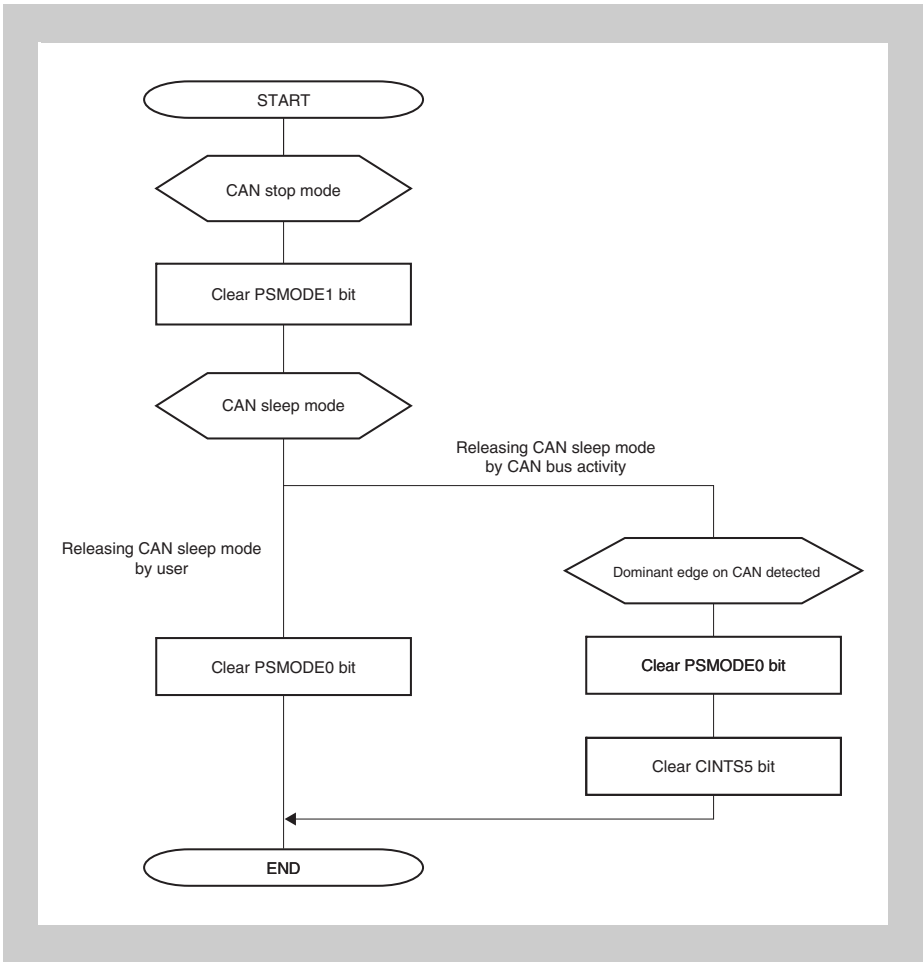


Figure 20-54 Clear CAN sleep/stop mode

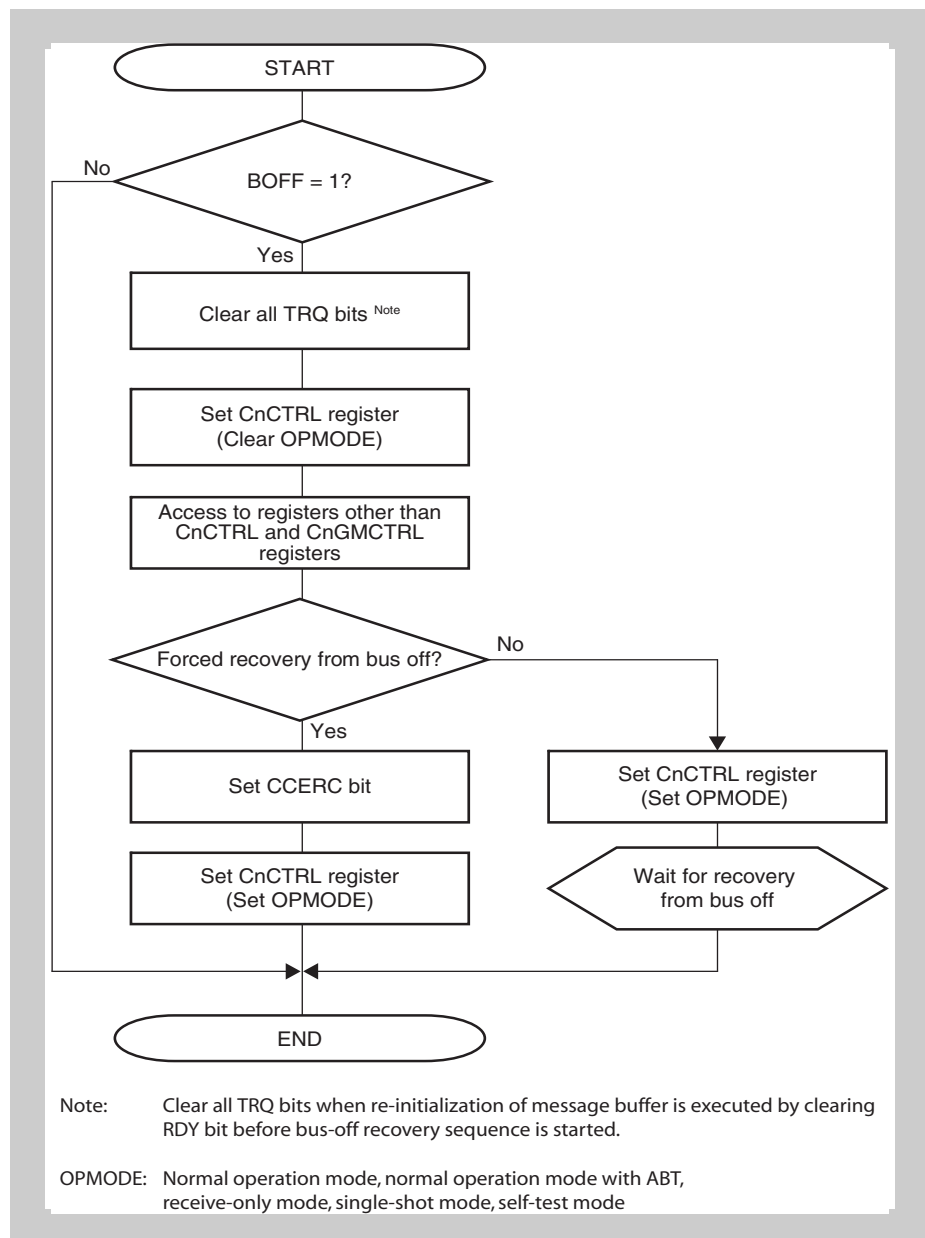


Figure 20-55 Bus-off recovery (except normal operation mode with ABT)

**Caution** When the transmission from the initialization mode to any operation modes is requested to execute bus-off recovery sequence again in the bus-off recovery sequence, reception error counter is cleared. Therefore it is necessary to detect 11 consecutive recessive-level bits 128 times on the bus again.



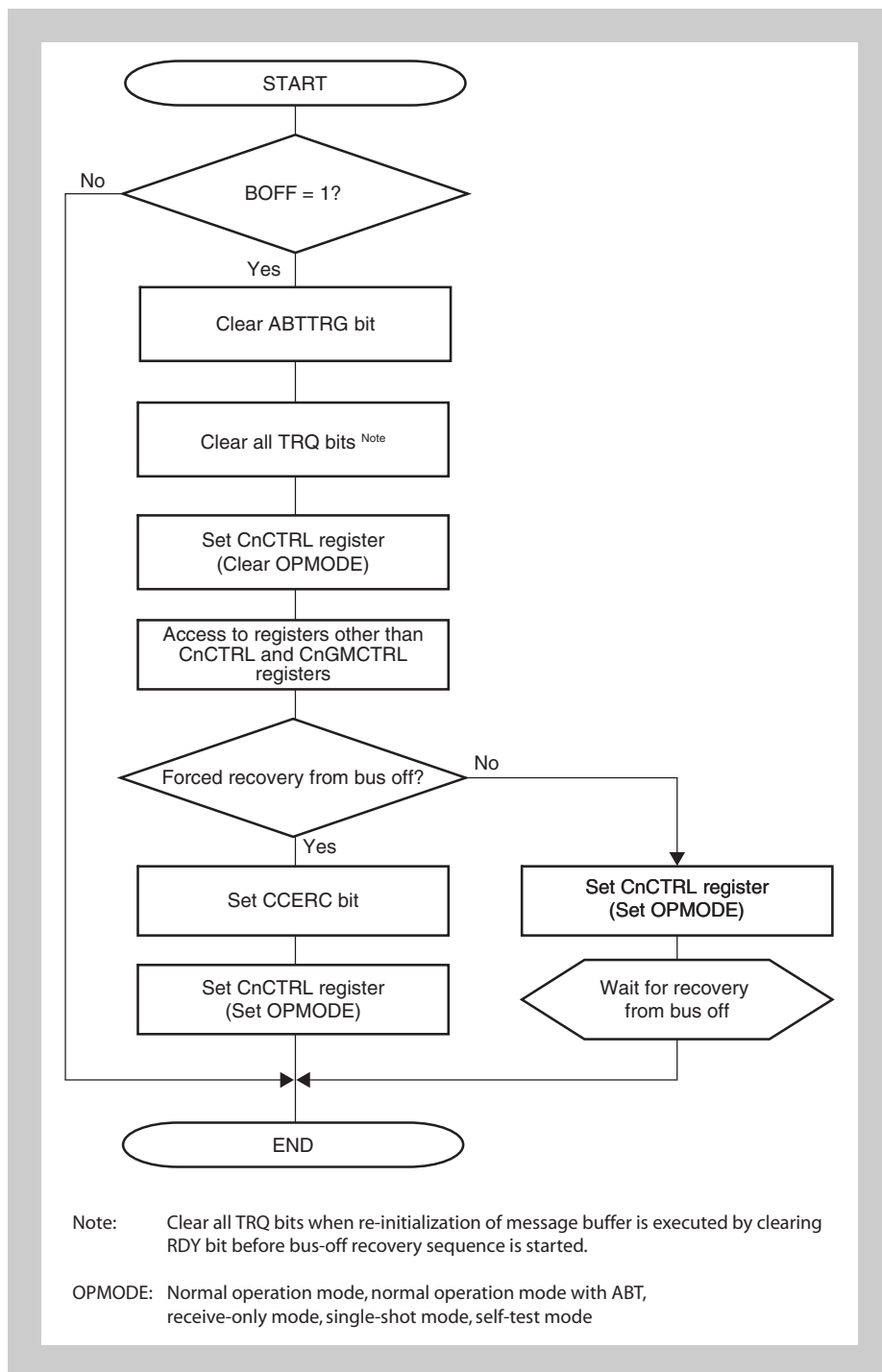


Figure 20-56 Bus-off recovery (Normal Operation Mode with ABT)

**Caution** When the transmission from the initialization mode to any operation modes is requested to execute bus-off recovery sequence again in the bus-off recovery sequence, reception error counter is cleared. Therefore it is necessary to detect 11 consecutive recessive-level bits 128 times on the bus again.

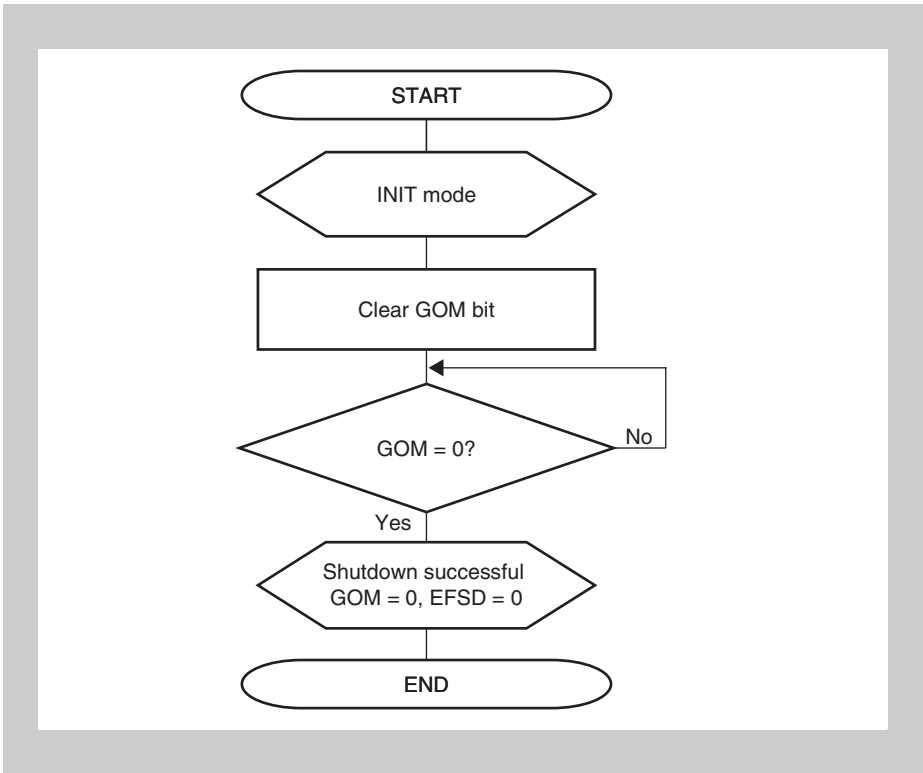


Figure 20-57 Normal shutdown process

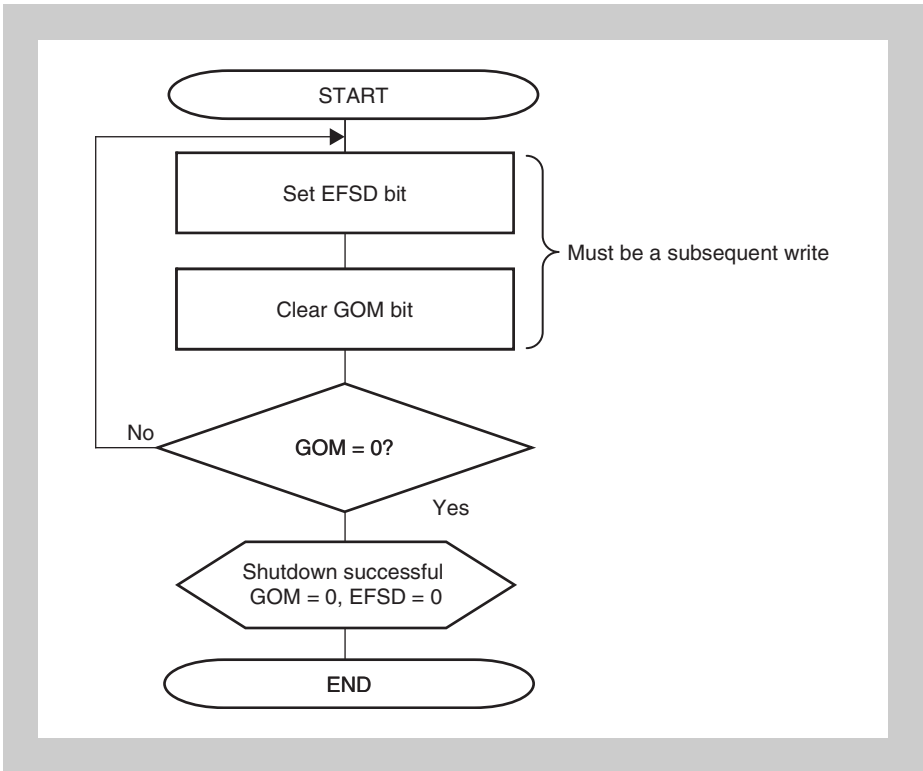


Figure 20-58 Forced shutdown process

---

**Caution** Do not read- or write-access any registers by software between setting the EFSD bit and clearing the GOM bit.

---

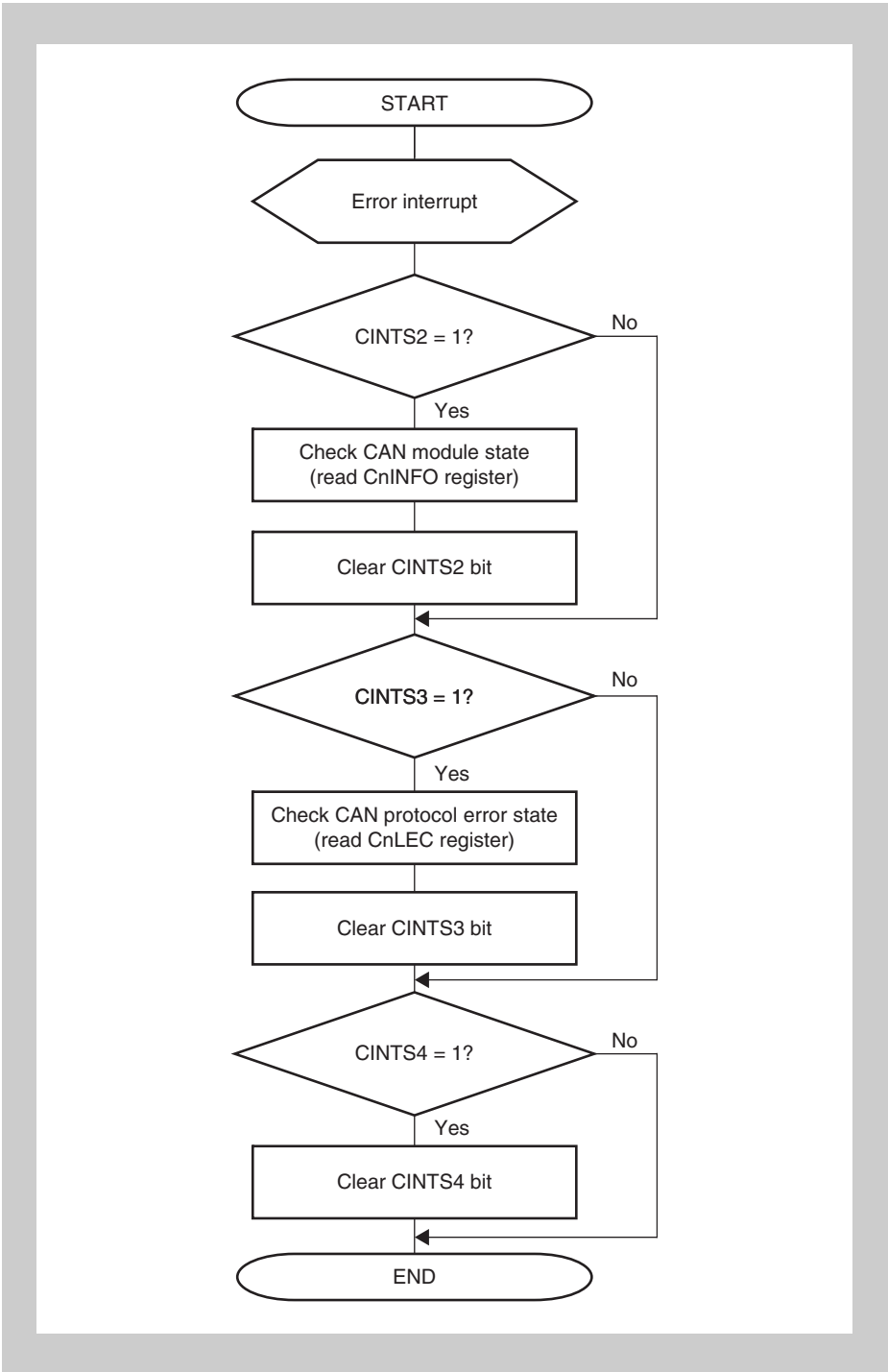


Figure 20-59 Error handling

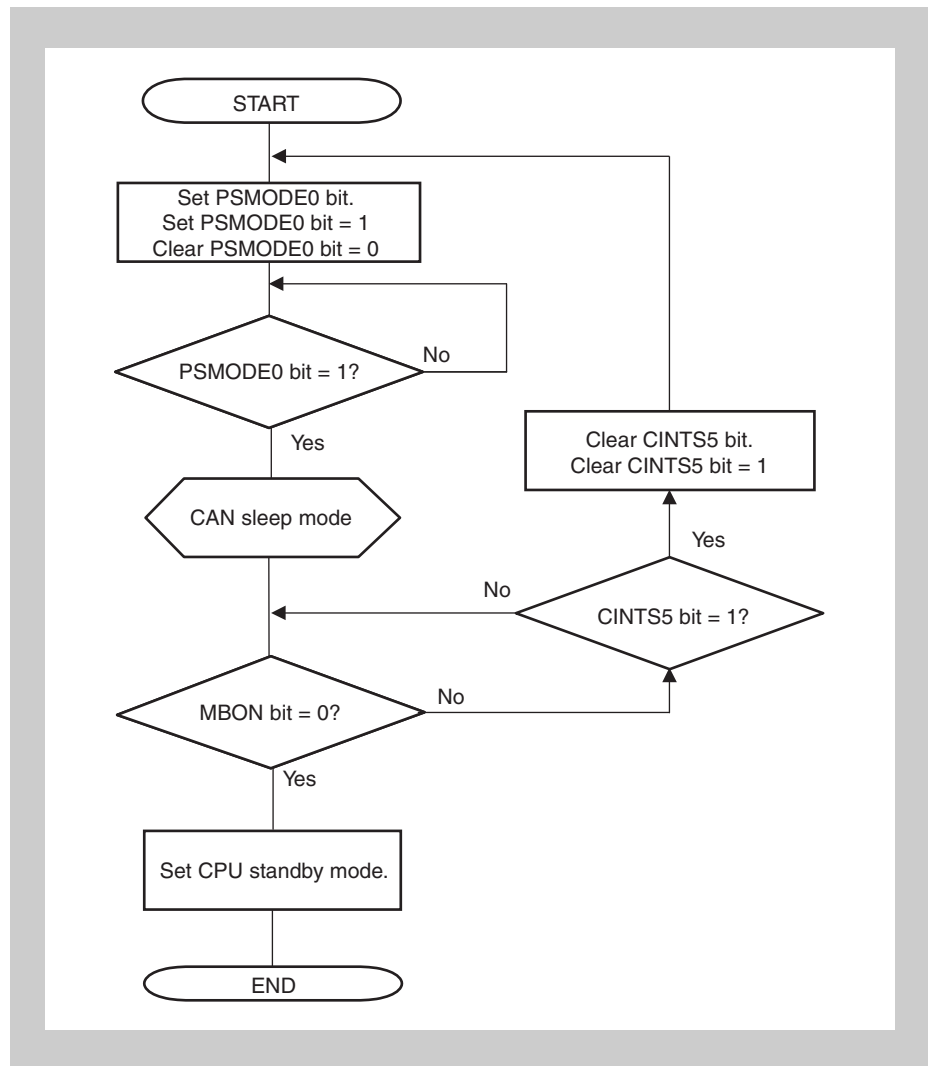


Figure 20-60 Setting CPU stand-by (from CAN sleep mode)

**Caution** Before the CPU is set in the CPU standby mode, please check if the CAN sleep mode has been reached. However, after check of the CAN sleep mode, until the CPU is set in the CPU standby mode, the CAN sleep mode may be cancelled by wakeup from CAN bus.

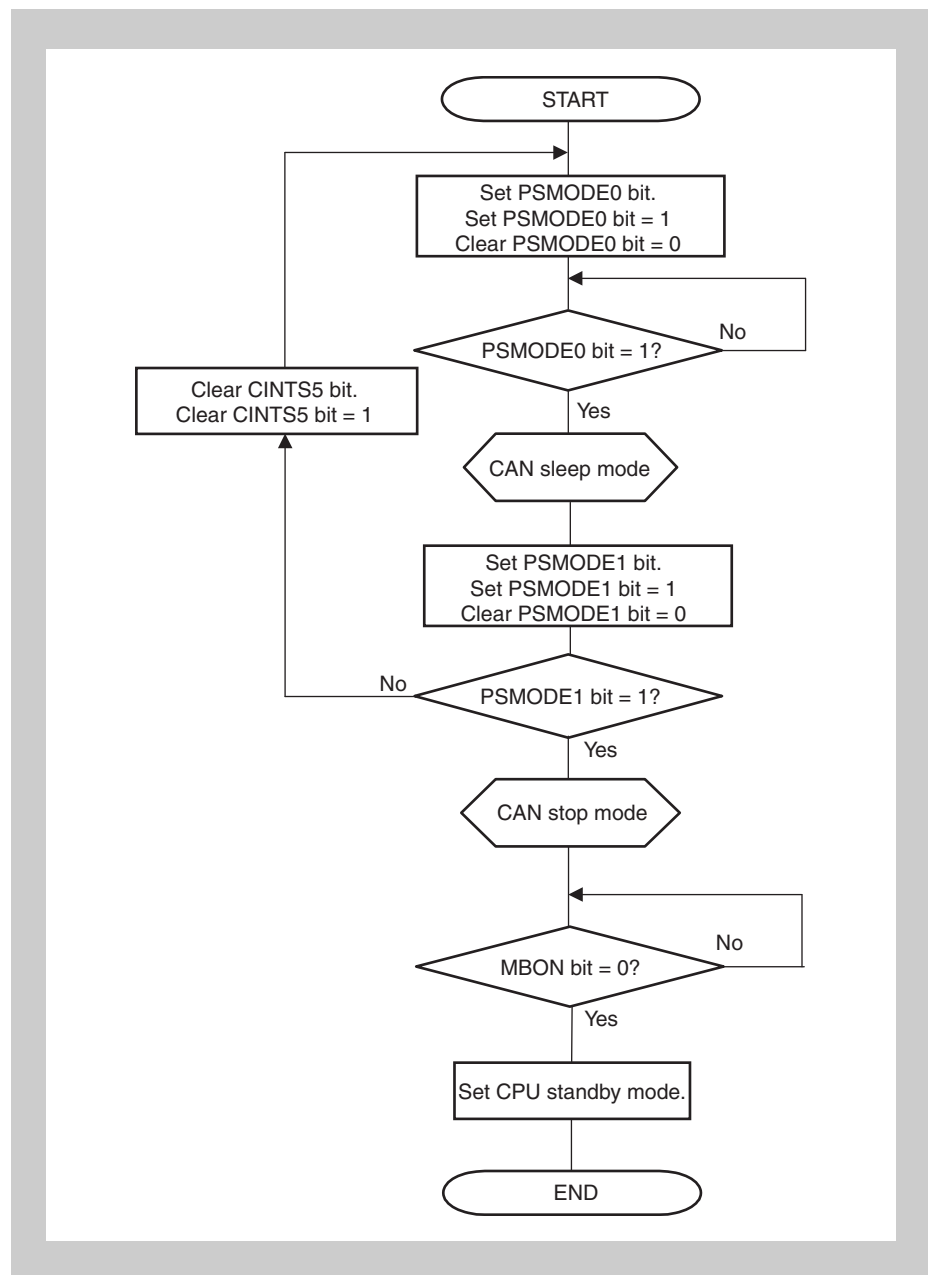


Figure 20-61 Setting CPU stand-by (from CAN stop mode)

**Caution** The CAN stop mode can only be released by writing  $01_B$  to the PSMODE[1:0] bit of the CnCTRL register and not by a change in the CAN bus state.

# Chapter 21 A/D Converter (ADC)

These microcontrollers contain an n-channel 10-bit A/D Converter.

The V850E/Dx3 microcontrollers feature the following number of analog input channels:

ADC	$\mu$ PD70F3427, $\mu$ PD70F3426A, $\mu$ PD70F3425, $\mu$ PD70F3424	$\mu$ PD70F3423, $\mu$ PD70F3422, $\mu$ PD70F3421
Instances	16	12

Throughout this chapter, the individual channels of the A/D Converter are identified by “n”, for example ADCR0n for the A/D conversion result register of channel n.

## 21.1 Functions

The A/D Converter converts analog input signals into digital values.

The A/D Converter has the following features.

- 10-bit resolution
- Successive approximation method
- The following functions are provided as operation modes.
  - Continuous select mode
  - Continuous scan mode
- The following functions are provided as trigger modes.
  - Software trigger mode
  - Timer trigger mode
- Power-fail monitor function (conversion result compare function)

The block diagram of the A/D Converter is shown below.

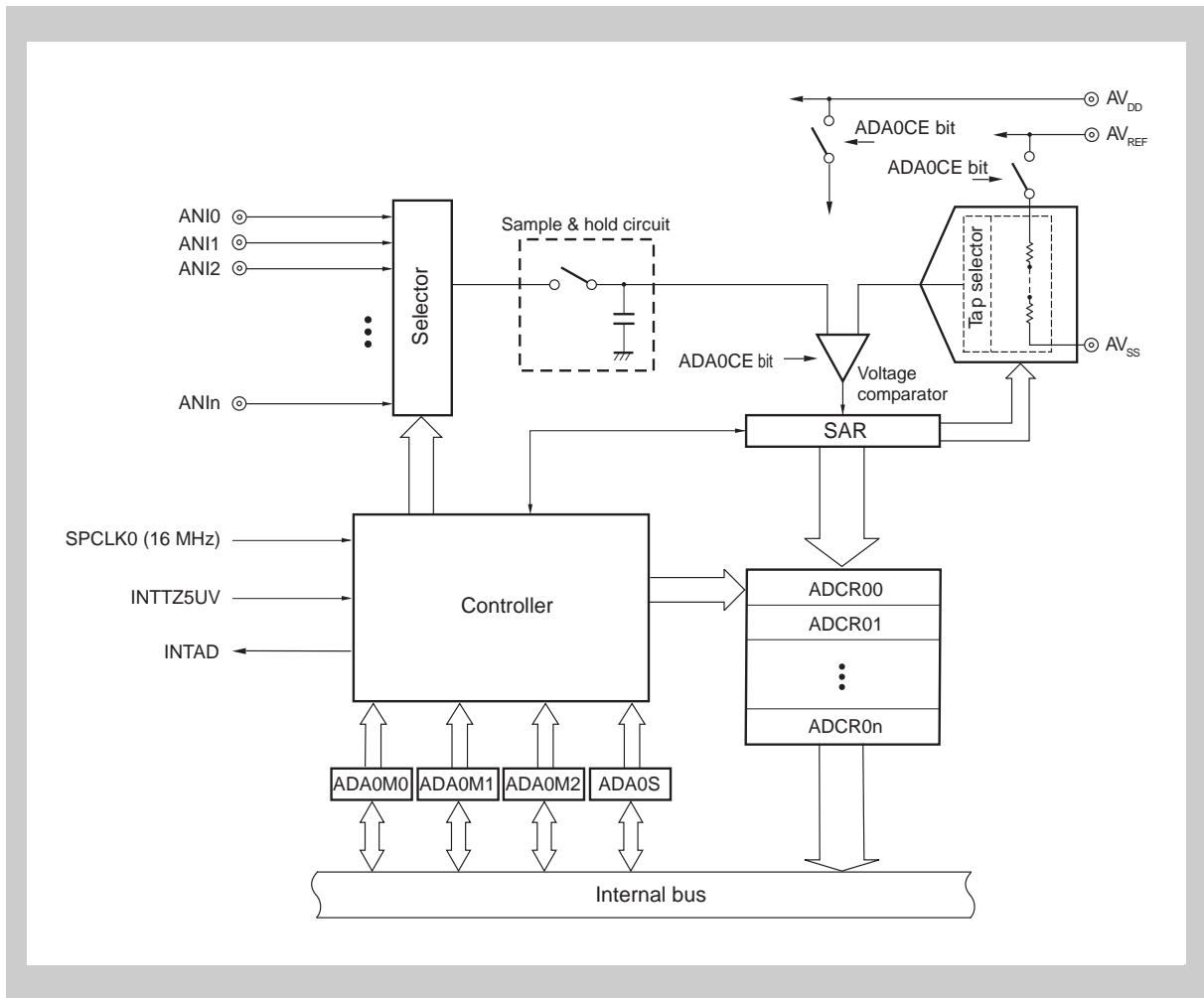


Figure 21-1 Block diagram of A/D Converter



## 21.2 Configuration

The A/D Converter includes the following hardware.

Table 21-1 Configuration of A/D Converter

Item	Configuration
Analog inputs	ANI0 to ANIn pins
Registers	Successive approximation register (SAR) A/D conversion result registers ADCR00 to ADCR0n A/D conversion result registers ADCR0H0 to ADCR0Hn: only higher 8 bits can be read
Control registers	A/D Converter mode registers 0 to 2 (ADA0M0 to ADA0M2) A/D Converter channel specification register 0 (ADA0S)

---

**Caution** It is mandatory to enable the A/D Converter after any reset and to perform a first conversion within a time period of maximum 1 s after reset release. With the execution of the first conversion, the A/D Converter circuit is initialized.

The execution of a first conversion is mandatory independently of whether the A/D Converter is used later on by the user application.

---

### (1) Successive approximation register (SAR)

The SAR register compares the voltage value of the analog input signal with the voltage tap (compare voltage) value from the series resistor string, and holds the comparison result starting from the most significant bit (MSB).

When the comparison result has been held down to the least significant bit (LSB) (i.e., when A/D conversion is complete), the contents of the SAR register are transferred to the ADCR0n register.

### (2) A/D conversion result register n (ADCR0n), A/D conversion result register Hn (ADCR0Hn)

The ADCR0n register is a 16-bit register that stores the A/D conversion result. ADCR0n consist of 16 registers and the A/D conversion result is stored in the 10 higher bits of the ADCR0n register corresponding to analog input. (The lower 6 bits are fixed to 0.)

The ADCR0n register is read-only, in 16-bit units.

When using only the higher 8 bits of the A/D conversion result, the ADCR0Hn register is read-only, in 8-bit units.

---

**Caution** A write operation to the ADA0M0 and ADA0S registers may cause the contents of the ADCR0n register to become undefined. After the conversion, read the conversion result before writing to the ADA0M0 and ADA0S registers. Correct conversion results may not be read if a sequence other than the above is used.

---

**(3) Power-fail compare threshold value register (ADA0PFT)**

The ADA0PFT register sets a threshold value that is compared with the value of A/D conversion result register nH (ADCR0Hn). The 8-bit data set to the ADA0PFT register is compared with the higher 8 bits of the A/D conversion result register (ADCR0Hn).

This register can be read or written in 8-bit or 1-bit units.

Reset input clears this register to 00<sub>H</sub>.

**(4) Sample & hold circuit**

The sample & hold circuit samples each of the analog input signals selected by the input circuit and sends the sampled data to the voltage comparator. This circuit also holds the sampled analog input signal voltage during A/D conversion.

**(5) Voltage comparator**

The voltage comparator compares a voltage value that has been sampled and held with the voltage value of the series resistor string.

**(6) Series resistor string**

This series resistor string is connected between  $AV_{REF}$  and  $AV_{SS}$  and generates a voltage for comparison with the analog input signal.

**(7) ANIn pins**

These are analog input pins for the 16 A/D Converter channels and are used to input analog signals to be converted into digital signals. Pins other than the one selected as the analog input by the ADA0S register can be used as input port pins.

- 
- Caution**
1. Make sure that the voltages input to the ANIn pins do not exceed the rated values. In particular if a voltage of  $AV_{REF}$  or higher is input to a channel, the conversion value of that channel becomes undefined, and the conversion values of the other channels may also be affected.
  2. The analog input pins ANIn function also as input port pins. If any of ANIn is selected and A/D converted, do not execute an input instruction this ports during conversion. If executed, the conversion resolution may be degraded.
- 

**(8)  $AV_{REF}$  pin**

This is the pin used to input the reference voltage of the A/D Converter. The signals input to the ANIn pins are converted to digital signals based on the voltage applied between the  $AV_{REF}$  and  $AV_{SS}$  pins.

**(9)  $AV_{SS}$  pin**

This is the ground pin of the A/D Converter. Always make the potential at this pin the same as that at the  $V_{SS}$  pin even when the A/D Converter is not used.

## 21.3 ADC Registers

The A/D Converter is controlled by the following registers:

- ADC mode registers 0, 1, 2 (ADA0M0, ADA0M1, ADA0M2)
- ADC channel specification register 0 (ADA0S)
- Power-fail compare mode register (ADA0PFM)

The following registers are also used:

- A/D conversion result register n (ADCR0n)
- A/D conversion result register nH (ADCR0Hn)
- Power-fail compare threshold value register (ADA0PFT)

**(1) ADA0M0 - ADC mode register 0**

The ADA0M0 register is an 8-bit register that specifies the operation mode and controls conversion operations.

**Access** This register can be read/written in 8-bit or 1-bit units. However, bit 0 is read-only.

**Address** FFFF F200<sub>H</sub>

**Initial Value** 00<sub>H</sub>. This register is cleared by any reset.

7	6	5	4	3	2	1	0
ADA0CE	0	ADA0MD1	ADA0MD0	0	0	ADA0TMD	ADA0EF
R/W	R/W	R/W	R/W	R/W	R/W	R/W	R

Table 21-2 ADA0M0 register contents

Bit position	Bit name	Function												
7	AD0CE	A/D conversion control: 0: Stops conversion 1: Starts conversion												
5, 4	ADA0MD[1:0]	Specification of A/D conversion operation mode <table border="1" style="margin-left: 20px;"> <thead> <tr> <th>ADA0MD1</th> <th>ADA0MD0</th> <th>A/D conversion operation mode</th> </tr> </thead> <tbody> <tr> <td style="text-align: center;">0</td> <td style="text-align: center;">0</td> <td>Continuous select mode</td> </tr> <tr> <td style="text-align: center;">0</td> <td style="text-align: center;">1</td> <td>Continuous scan mode</td> </tr> <tr> <td colspan="2" style="text-align: center;">others</td> <td>Setting prohibited</td> </tr> </tbody> </table>	ADA0MD1	ADA0MD0	A/D conversion operation mode	0	0	Continuous select mode	0	1	Continuous scan mode	others		Setting prohibited
ADA0MD1	ADA0MD0	A/D conversion operation mode												
0	0	Continuous select mode												
0	1	Continuous scan mode												
others		Setting prohibited												
1	ADA0TMD	Trigger mode specification: 0: Software trigger mode 1: Timer trigger mode												
0	ADA0EF	A/D converter status display: 0: A/D conversion stopped 1: A/D conversion in progress												

- Caution**
1. If ADA0EF bit (bit 0) is written, this is ignored.
  2. Changing the ADA0FR3 to ADA0FR0 bits of the ADA0M1 register during conversion (ADA0CE0 bit = 1) is prohibited.
  3. When the A/D Converter is not used, stop the operation by setting the ADA0CE bit to 0 to reduce the current consumption.

**(2) ADA0M1 - ADC mode register 1**

The ADA0M1 register is an 8-bit register that controls the conversion time specification.

**Access** This register can be read/written in 8-bit or 1-bit units.

**Address** FFFF F201<sub>H</sub>

**Initial Value** 00<sub>H</sub>. This register is cleared by any reset.

7	6	5	4	3	2	1	0
1	0	0	0	ADA0FR3	ADA0FR2	ADA0FR1	ADA0FR0
R/W	R/W	R/W	R/W	R/W	R/W	R/W	R/W

- Caution**
1. The bit 7 must be changed to “1” after reset and must not be changed afterwards.
  2. Be sure to clear bits 5 and 4 to 0.

Table 21-3 ADA0M1 register contents

Bit position	Bit name	Function
3 to 0	AD0FR[3:0]	A/D conversion time settings, see <i>Table 21-4</i>

Table 21-4 Conversion time settings

ADA0FR				Divi-der div	f <sub>SPCLK0</sub> = 16 MHz		f <sub>SPCLK0</sub> = 4 MHz		Stabilization time <sup>a</sup>
3	2	1	0		conversion time <sup>b</sup>	sampling time <sup>c</sup>	conversion time <sup>b</sup>	sampling time <sup>c</sup>	
0	0	0	0	1	prohibited		7.75 μs	4.13 μs	16/f <sub>SPCLK0</sub>
0	0	0	1	2	3.88 μs	2.06 μs	15.50 μs	8.25 μs	31/f <sub>SPCLK0</sub>
0	0	1	0	3	5.81 μs	3.09 μs	prohibited		47/f <sub>SPCLK0</sub>
0	0	1	1	4	7.75 μs	4.13 μs	prohibited		50/f <sub>SPCLK0</sub>
0	1	0	0	5	9.69 μs	5.16 μs	prohibited		50/f <sub>SPCLK0</sub>
0	1	0	1	6	11.63 μs	6.12 μs	prohibited		50/f <sub>SPCLK0</sub>
0	1	1	0	7	13.56 μs	7.22 μs	prohibited		50/f <sub>SPCLK0</sub>
0	1	1	1	8	15.50 μs	8.25 μs	prohibited		50/f <sub>SPCLK0</sub>
1	x	x	x	prohibited					

- a) When A/D conversion is started by ADA0M0.ADA0CE = 0 →1 the first sampling of the ANIn input is delayed by the given stabilization time. This ensures compliance with the necessary stabilization time. The stabilization time applies only prior to the first sampling.
- b) The conversion time is calculated by (31 x div) / f<sub>SPCLK0</sub>.
- c) The sampling time is calculated by (16.5 x div) / f<sub>SPCLK0</sub>.

**Note** Note that the given times in *Table 21-4* do not regard the dithering of the A/D converter supply clock. Using a dithering supply clock does not impact the A/D converter’s operation.

**(3) ADA0M2 - ADC mode register 2**

The ADA0M2 register specifies the hardware trigger mode.

**Access** This register can be read/written in 8-bit or 1-bit units.

**Address** FFFF F203<sub>H</sub>

**Initial Value** 00<sub>H</sub>. This register is cleared by any reset.

7	6	5	4	3	2	1	0
0	0	0	0	0	0	ADA0TMD1	ADA0TMD0
R/W	R/W	R/W	R/W	R/W	R/W	R/W	R/W

---

**Caution** Be sure to clear bits 7 to 1.

---

Table 21-5 ADA0M2 register contents

Bit position	Bit name	Function												
1, 0	ADA0TMD[1:0]	Specification of hardware trigger mode												
		<table border="1"> <thead> <tr> <th>ADA0TMD1</th> <th>ADA0TMD0</th> <th>Trigger mode</th> </tr> </thead> <tbody> <tr> <td style="text-align: center;">0</td> <td style="text-align: center;">0</td> <td>No trigger</td> </tr> <tr> <td style="text-align: center;">0</td> <td style="text-align: center;">1</td> <td>INTTZ5UV trigger</td> </tr> <tr> <td colspan="2" style="text-align: center;">others</td> <td>Setting prohibited</td> </tr> </tbody> </table>	ADA0TMD1	ADA0TMD0	Trigger mode	0	0	No trigger	0	1	INTTZ5UV trigger	others		Setting prohibited
ADA0TMD1	ADA0TMD0	Trigger mode												
0	0	No trigger												
0	1	INTTZ5UV trigger												
others		Setting prohibited												

**(4) ADA0S - ADC channel specification register 0**

The ADA0S register specifies the pin that inputs the analog voltage to be converted into a digital signal.

**Access** This register can be read/written in 8-bit or 1-bit units.

**Address** FFFF F202<sub>H</sub>

**Initial Value** 00<sub>H</sub>. This register is cleared by any reset.

7	6	5	4	3	2	1	0
0	0	0	ADA0S4	ADA0S3	ADA0S2	ADA0S1	ADA0S0
R/W	R/W	R/W	R/W	R/W	R/W	R/W	R/W

Table 21-6 ADA0S register contents

Bit position	Bit name	Function
4 to 0	ADA0S[4:0]	A/D converter channel specification:
		<b>ADA0S4</b> <b>ADA0S3</b> <b>ADA0S2</b> <b>ADA0S1</b> <b>ADA0S0</b> <b>Select mode</b> <b>Scan mode</b>
		0 0 0 0 0 ANI0 ANI0
		0 0 0 0 1 ANI1 ANI0, ANI1
		0 0 0 1 0 ANI2 ANI0 to ANI2
		0 0 0 1 1 ANI3 ANI0 to ANI3
		0 0 1 0 0 ANI4 ANI0 to ANI4
		0 0 1 0 1 ANI5 ANI0 to ANI5
		0 0 1 1 0 ANI6 ANI0 to ANI6
		0 0 1 1 1 ANI7 ANI0 to ANI7
		0 1 0 0 0 ANI8 ANI0 to ANI8
		0 1 0 0 1 ANI9 ANI0 to ANI9
		0 1 0 1 0 ANI10 ANI0 to ANI10
		0 1 0 1 1 ANI11 ANI0 to ANI11
		0 1 1 0 0 ANI12 ANI0 to ANI12
		0 1 1 0 1 ANI13 ANI0 to ANI13
		0 1 1 1 0 ANI14 ANI0 to ANI14
0 1 1 1 1 ANI15 ANI0 to ANI15		
Other than above		Setting prohibited

**(5) ADCR0n, ADCR0Hn - ADC conversion result registers**

The ADCR0n and ADCR0Hn registers store the A/D conversion results.

**Access** These registers are read-only, in 16-bit or 8-bit units. However, specify the ADCR0n register for 16-bit access and the ADCR0Hn register for 8-bit access. The 10 bits of the conversion result are read from the higher 10 bits of the ADCR0n register, and 0 is read from the lower 6 bits. The higher 8 bits of the conversion result are read from the ADCR0Hn register.

**Address**

ADCR00:	FFFF F210 <sub>H</sub>	ADCR0H0:	FFFF F211 <sub>H</sub>
ADCR01:	FFFF F212 <sub>H</sub>	ADCR0H1:	FFFF F213 <sub>H</sub>
ADCR02:	FFFF F214 <sub>H</sub>	ADCR0H2:	FFFF F215 <sub>H</sub>
ADCR03:	FFFF F216 <sub>H</sub>	ADCR0H3:	FFFF F217 <sub>H</sub>
ADCR04:	FFFF F218 <sub>H</sub>	ADCR0H4:	FFFF F219 <sub>H</sub>
ADCR05:	FFFF F21A <sub>H</sub>	ADCR0H5:	FFFF F21B <sub>H</sub>
ADCR06:	FFFF F21C <sub>H</sub>	ADCR0H6:	FFFF F21D <sub>H</sub>
ADCR07:	FFFF F21E <sub>H</sub>	ADCR0H7:	FFFF F21F <sub>H</sub>
ADCR08:	FFFF F220 <sub>H</sub>	ADCR0H8:	FFFF F221 <sub>H</sub>
ADCR09:	FFFF F222 <sub>H</sub>	ADCR0H9:	FFFF F223 <sub>H</sub>
ADCR010:	FFFF F224 <sub>H</sub>	ADCR0H10:	FFFF F225 <sub>H</sub>
ADCR011:	FFFF F226 <sub>H</sub>	ADCR0H11:	FFFF F227 <sub>H</sub>
ADCR012:	FFFF F228 <sub>H</sub>	ADCR0H12:	FFFF F229 <sub>H</sub>
ADCR013:	FFFF F22A <sub>H</sub>	ADCR0H13:	FFFF F22B <sub>H</sub>
ADCR014:	FFFF F22C <sub>H</sub>	ADCR0H14:	FFFF F22D <sub>H</sub>
ADCR015:	FFFF F22E <sub>H</sub>	ADCR0H15:	FFFF F22F <sub>H</sub>

**Initial Value** undefined

	15	14	13	12	11	10	9	8	7	6	5	4	3	2	1	0
<b>ADCR0n</b>	AD9	AD8	AD7	AD6	AD5	AD4	AD3	AD2	AD1	AD0	0	0	0	0	0	0
	R	R	R	R	R	R	R	R	R	R	R	R	R	R	R	R

	7	6	5	4	3	2	1	0
<b>ADCR0Hn</b>	AD9	AD8	AD7	AD6	AD5	AD4	AD3	AD2
	R	R	R	R	R	R	R	R



The relationship between the analog voltage input to the analog input pins (ANI0 to ANI11) and the A/D conversion result (of A/D conversion result register n (ADCR0n)) is as follows:

$$ADCR0 = \text{INT}\left(\frac{V_{IN}}{AV_{REF}} \cdot 1024 + 0,5\right)$$

or

$$\left(ADCR0 - 0,5\right) \cdot \frac{AV_{REF}}{1024} \leq V_{IN} < \left(ADCR0 + 0,5\right) \cdot \frac{AV_{REF}}{1024}$$

INT( ): Function that returns the integer of the value in ( )

$V_{IN}$ : Analog input voltage

$AV_{REF}$ :  $AV_{REF}$  pin voltage

ADCR0: Value of A/D conversion result register n (ADCR0n)

Figure 21-2 shows the relationship between the analog input voltage and the A/D conversion results.

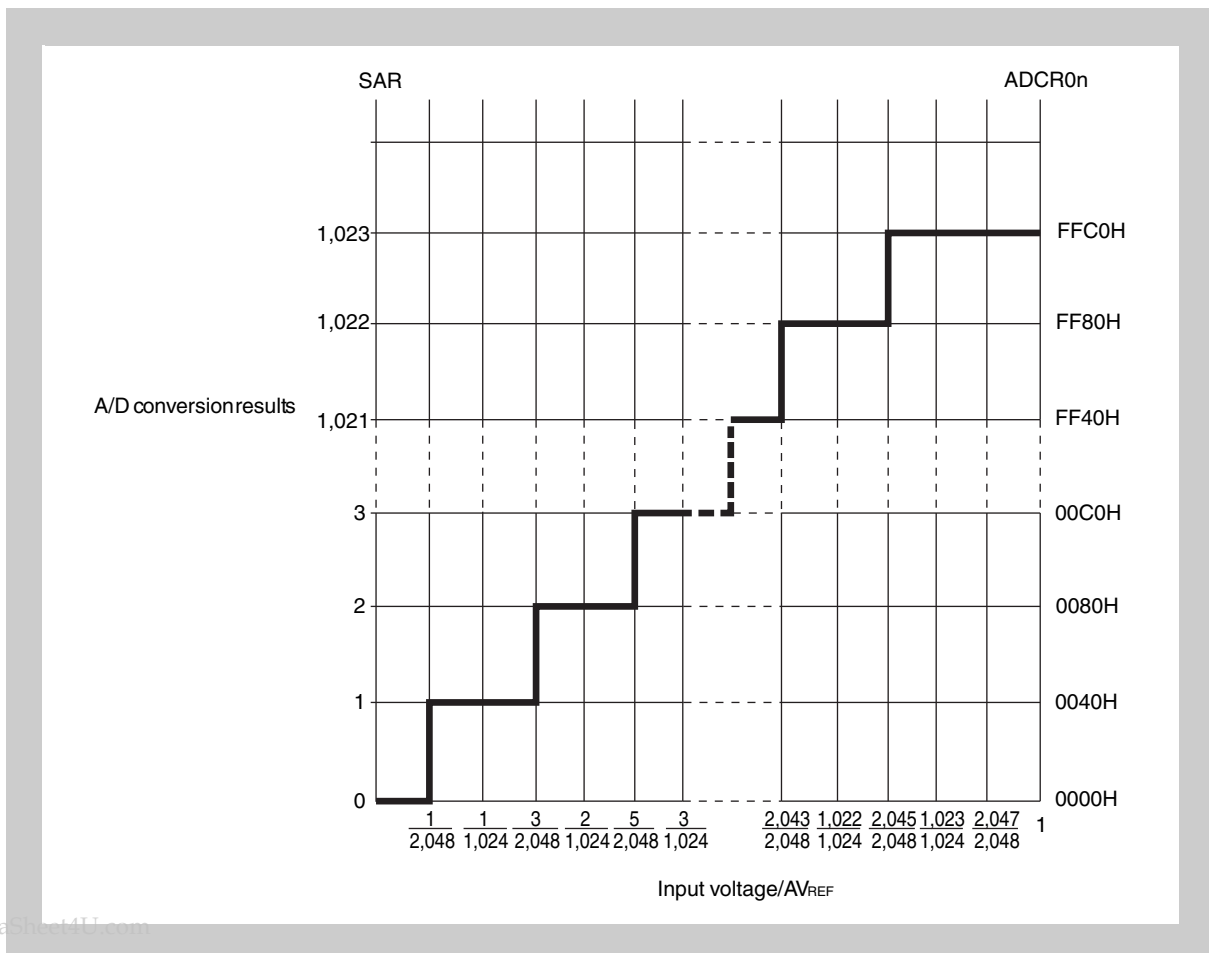


Figure 21-2 Relationship between analog input voltage and A/D conversion results

**(6) ADA0PFM - ADC power-fail compare mode register**

The ADA0PFM register is an 8-bit register that sets the power-fail compare mode.

**Access** This register can be read/written in 8-bit or 1-bit units.

**Address** FFFF F204<sub>H</sub>

**Initial Value** 00<sub>H</sub>. This register is cleared by any reset.

7	6	5	4	3	2	1	0
ADA0PFE	ADA0PFC0	0	0	0	0	0	0
R/W	R/W	R/W	R/W	R/W	R/W	R/W	R/W

**Note** In continuous select mode the conversion result of ADC channel AN<sub>In</sub>, selected by ADA0S, is observed.  
In continuous scan mode the conversion result of ADC channel AN<sub>I0</sub> is observed.  
For further details, refer to “Power-fail compare mode” on page 873.

**(7) ADA0PFT - ADC power-fail compare threshold value register**

The ADA0PFT register sets the compare value in the power-fail compare mode.

**Access** This register can be read/written in 8-bit or 1-bit units.

**Address** FFFF F204<sub>H</sub>

**Initial Value** 00<sub>H</sub>. This register is cleared by any reset.

7	6	5	4	3	2	1	0
ADA0PFT7	ADA0PFT6	ADA0PFT5	ADA0PFT4	ADA0PFT3	ADA0PFT2	ADA0PFT1	ADA0PFT0
R/W	R/W	R/W	R/W	R/W	R/W	R/W	R/W

## 21.4 Operation

### 21.4.1 Basic operation

1. Set the operation mode, trigger mode, and conversion time for executing A/D conversion by using the ADA0M0, ADA0M1, ADA0M2, and ADA0S registers. When the ADA0CE bit of the ADA0M0 register is set, conversion is started in the software trigger mode and the A/D Converter waits for a trigger in the external or timer trigger mode.
2. When A/D conversion is started, the voltage input to the selected analog input channel is sampled by the sample & hold circuit.
3. When the sample & hold circuit samples the input channel for a specific time, it enters the hold status, and holds the input analog voltage until A/D conversion is complete.
4. Set bit 9 of the successive approximation register (SAR). The tap selector selects  $(1/2) AV_{REF}$  as the voltage tap of the series resistor string.
5. The voltage difference between the voltage of the series resistor string and the analog input voltage is compared by the voltage comparator. If the analog input voltage is higher than  $(1/2) AV_{REF}$ , the MSB of the SAR register remains set. If it is lower than  $(1/2) AV_{REF}$ , the MSB is reset.
6. Next, bit 8 of the SAR register is automatically set and the next comparison is started. Depending on the value of bit 9, to which a result has been already set, the voltage tap of the series resistor string is selected as follows:
  - Bit 9 = 1:  $(3/4) AV_{REF}$
  - Bit 9 = 0:  $(1/4) AV_{REF}$

This voltage tap and the analog input voltage are compared and, depending on the result, bit 8 is manipulated as follows.

Analog input voltage  $\geq$  Voltage tap: Bit 8 = 1

Analog input voltage  $\leq$  Voltage tap: Bit 8 = 0

7. This comparison is continued to bit 0 of the SAR register.
8. When comparison of the 10 bits is complete, the valid digital result is stored in the SAR register, which is then transferred to and stored in the ADCR0n register. At the same time, an A/D conversion end interrupt request signal (INTAD) is generated.

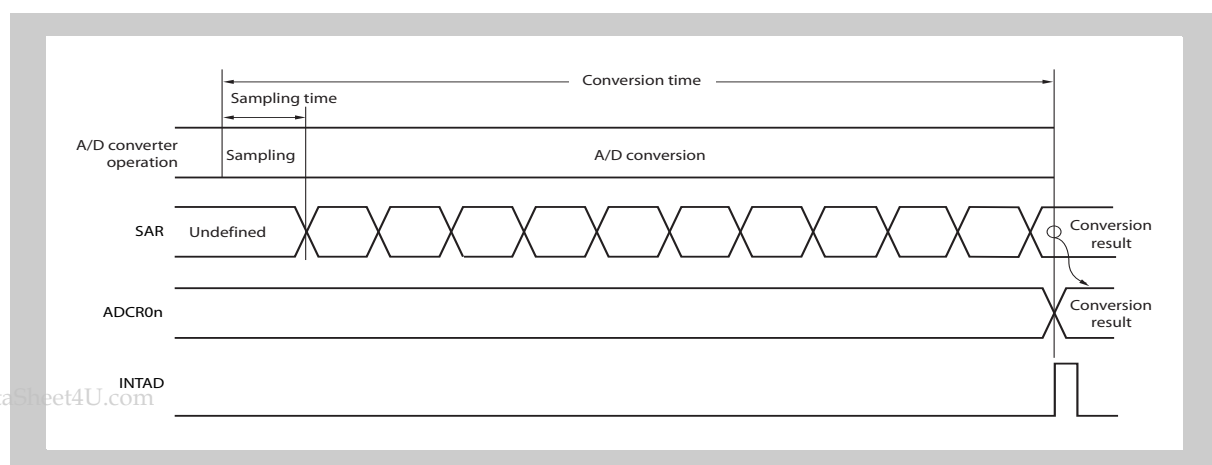


Figure 21-3 A/D Converter basic operation

## 21.4.2 Trigger mode

The timing of starting the conversion operation is specified by setting a trigger mode. The trigger mode includes a software trigger mode and hardware trigger modes. The hardware trigger modes include timer trigger modes 0 and 1, and external trigger mode. The ADA0TMD bit of the ADA0M0 register is used to set the trigger mode. In timer trigger mode set ADA0M2.ADA0TMD[1:0] = 01.

### (1) Software trigger mode

When the ADA0CE bit of the ADA0M0 register is set to 1, the signal of the analog input pin ANIn specified by the ADA0S register is converted. When conversion is complete, the result is stored in the ADCR0n register. At the same time, the A/D conversion end interrupt request signal (INTAD) is generated.

If the operation mode specified by the ADA0MD1 and ADA0MD0 bits of the ADA0M0 register is the continuous select/scan mode, the next conversion is started, unless the ADA0CE bit is cleared to 0 after completion of the first conversion.

When conversion is started, the ADA0EF bit is set to 1 (indicating that conversion is in progress).

If the ADA0M0, ADA0M2, ADA0S, ADA0PFM, or ADA0PFT register is written during conversion, the conversion is aborted and started again from the beginning.

### (2) Timer trigger mode

In this mode, converting the signal of the analog input pin ANIn specified by the ADA0S register is started by the Timer Z underflow interrupt signal.

Make sure to set ADA0M2.ADA0TMD[1:0] = 01<sub>B</sub>.

When conversion is completed, the result of the conversion is stored in the ADCR0n register. At the same time, the A/D conversion end interrupt request signal (INTAD) is generated, and the A/D Converter waits for the trigger again.

When conversion is started, the ADA0EF bit is set to 1 (indicating that conversion is in progress). While the A/D Converter is waiting for the trigger, however, the ADA0EF bit is cleared to 0 (indicating that conversion is stopped). If the valid trigger is input during the conversion operation, the conversion is aborted and started again from the beginning.

If the ADA0M0, ADA0M2, ADA0S, ADA0PFM, or ADA0PFT register is written during conversion, the conversion is stopped and the A/D Converter waits for the trigger again.

### 21.4.3 Operation modes

Two operation modes are available as the modes in which to set the ANIn pins: continuous select mode and continuous scan mode.

The operation mode is selected by the ADA0MD1 and ADA0MD0 bits of the ADA0M0 register.

#### (1) Continuous select mode

In this mode, the voltage of one analog input pin selected by the ADA0S register is continuously converted into a digital value.

The conversion result is stored in the ADCR0n register corresponding to the analog input pin. In this mode, an analog input pin corresponds to an ADCR0n register on a one-to-one basis. Each time A/D conversion is completed, the A/D conversion end interrupt request signal (INTAD) is generated. After completion of conversion, the next conversion is started, unless the ADA0CE bit of the ADA0M0 register is cleared to 0.

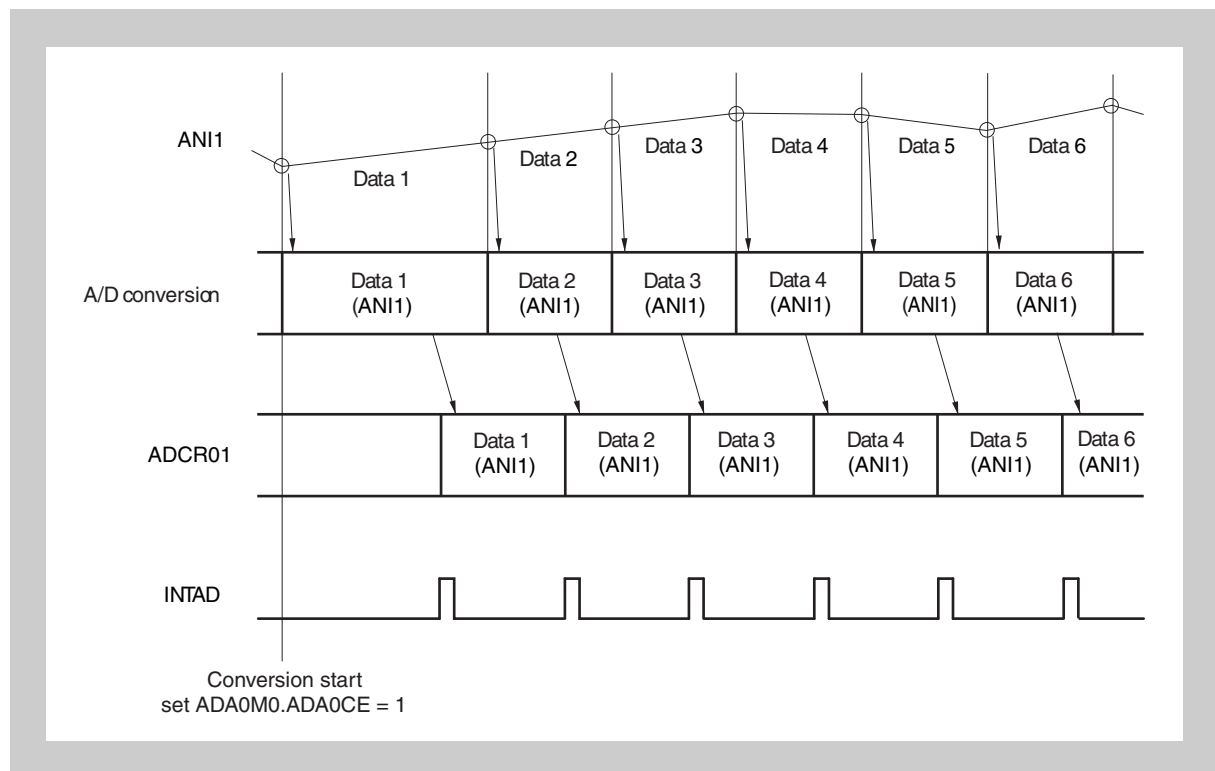
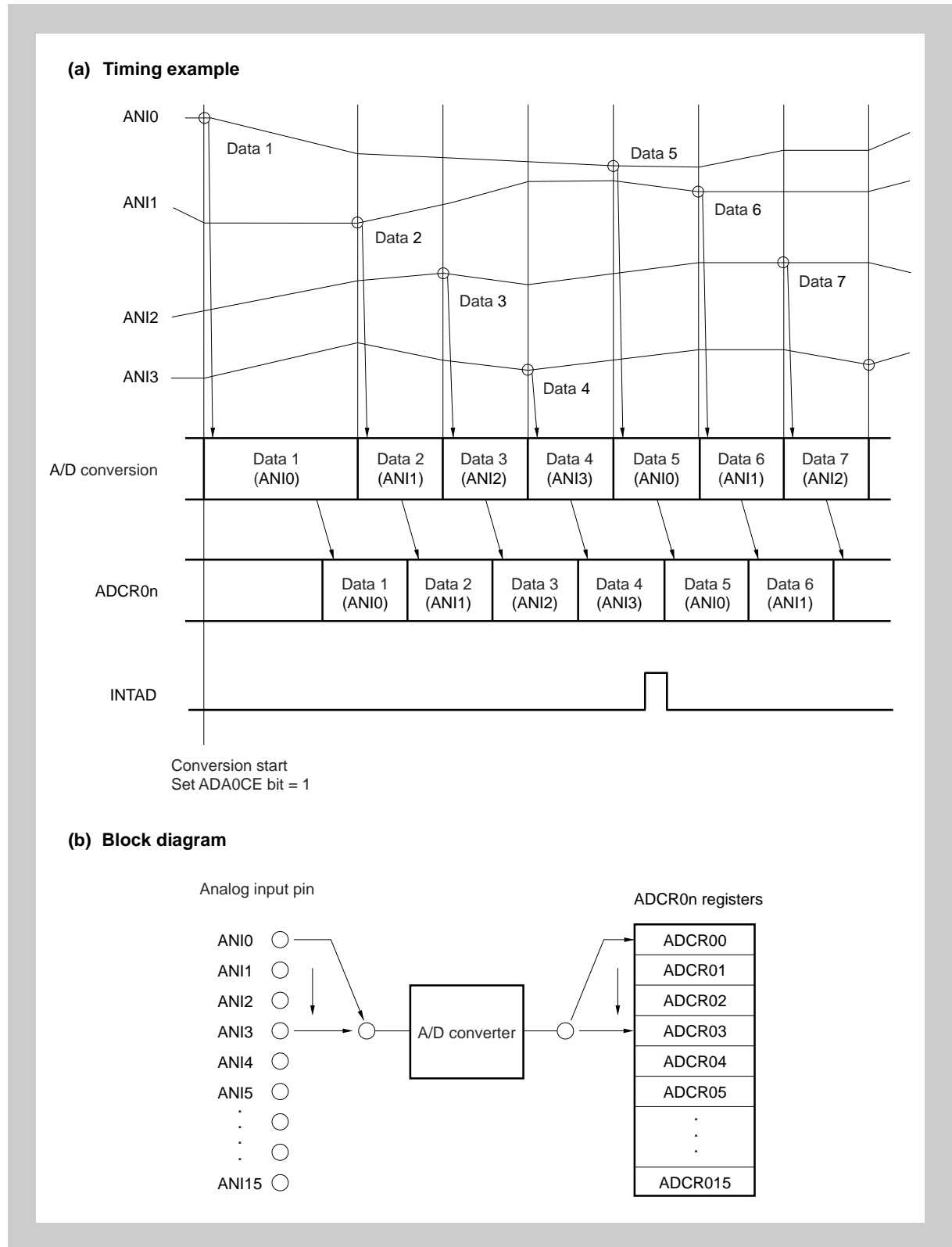


Figure 21-4 Timing example of continuous select mode operation (ADA0S = 01<sub>H</sub>)

#### (2) Continuous scan mode

In this mode, analog input pins are sequentially selected, from the ANI0 pin to the pin specified by the ADA0S register, and their values are converted into digital values.

The result of each conversion is stored in the ADCR0n register corresponding to the analog input pin. When conversion of the analog input pin specified by the ADA0S register is complete, the A/D conversion end interrupt request signal (INTAD) is generated, and A/D conversion is started again from the ANI0 pin, unless the ADA0CE bit of the ADA0M0 register is cleared to 0.



**Figure 21-5** Timing example of continuous scan mode operation (ADA0S register = 03<sub>H</sub>)

www.DataSheet4U.com

### 21.4.4 Power-fail compare mode

The A/D conversion end interrupt request signal (INTAD) can be controlled as follows by the ADA0PFM and ADA0PFT registers.

- If the power-fail compare mode is disabled ( $\text{ADA0PFM.ADA0PFE} = 0$ ), the INTAD signal is generated each time conversion is completed.
- If the power-fail compare mode is enabled ( $\text{ADA0PFM.ADA0PFE} = 1$ ) and  $\text{ADA0PFM.ADA0PFC} = 0$ , the value of the ADCR0Hn register is compared with the value of the ADA0PFT register when conversion is completed, and the INTAD signal is generated only if  $\text{ADCR0H0} \geq \text{ADA0PFT}$ .
- If the power-fail compare mode is enabled ( $\text{ADA0PFM.ADA0PFE} = 1$ ) and  $\text{ADA0PFM.ADA0PFC} = 1$ , the value of the ADCR0Hn register is compared with the value of the ADA0PFT register when conversion is completed, and the INTAD signal is generated only if  $\text{ADCR0H0} < \text{ADA0PFT}$ .

In the power-fail compare mode, two modes are available as modes in which to set the ANIn pins: continuous select mode and continuous scan mode.

#### (1) Continuous select mode

In this mode, the higher 8 bits of conversion result of the ANIn channel in ADA0CR0Hn, specified by ADA0S, is compared with the value of the ADA0PFT register.

If the result of power-fail comparison matches the condition set by the ADA0PFM.ADA0PFC bit, INTAD is generated.

In any case the next conversion is started.

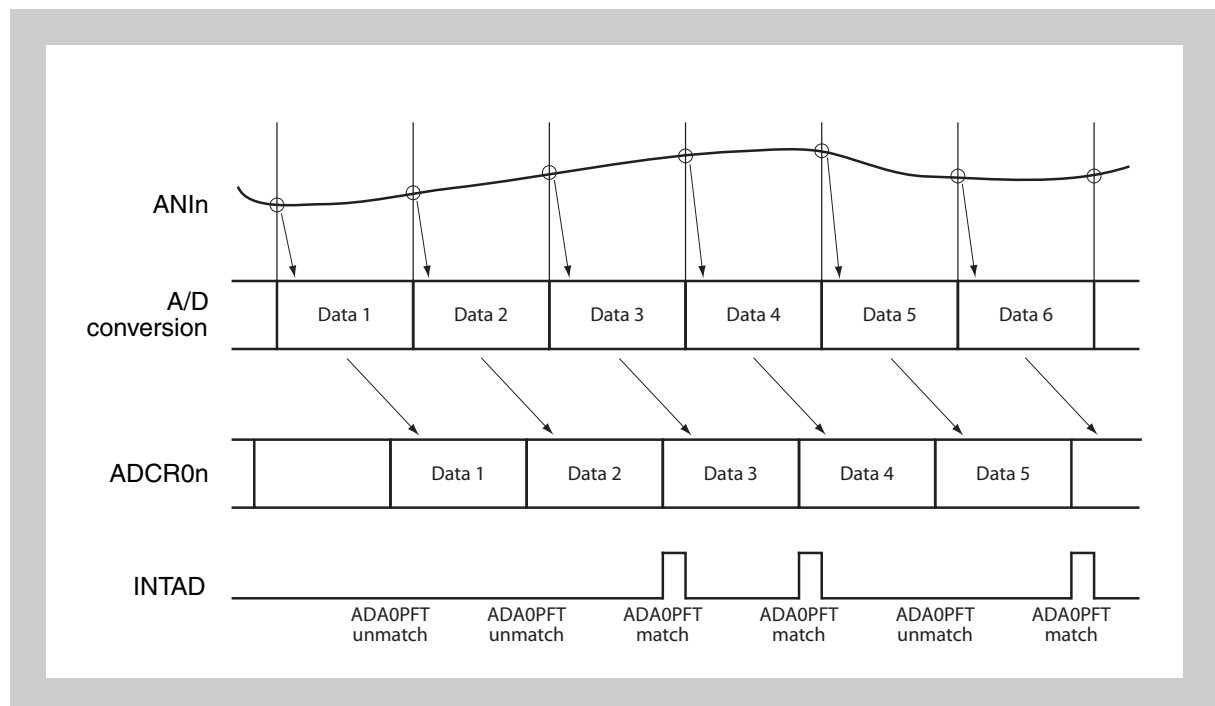


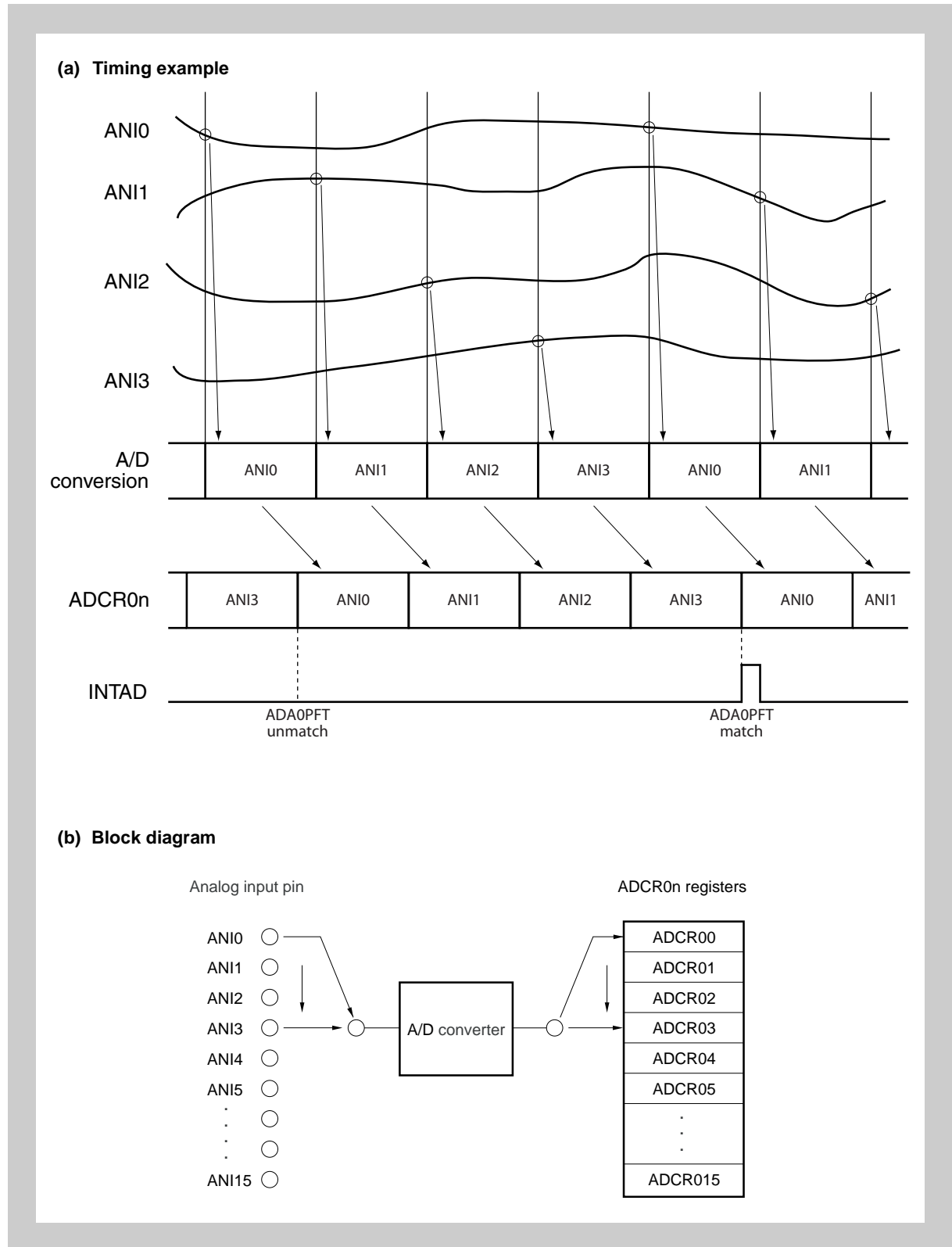
Figure 21-6 Timing example of continuous select mode operation with power-fail comparison

#### (2) Continuous scan mode

In this mode, the ADC channels starting from ANI0 to the one specified by the ADA0S register are sequentially converted and the conversion results are stored in the ADCR0n registers.

**Note** In continuous scan mode power-fail comparison is performed only on ANI0. After each conversion of ANI0, the higher 8 bits of conversion result in ADA0CROH0 is compared with the value of the ADA0PFT register. If the result of power-fail comparison matches the condition set by the ADA0PFM.ADA0PFC bit, INTAD is generated. In any case conversion of the remaining ADC channels continuous. Thus it is possible to catch a snapshot of the other analog inputs ANIn in case of power-fail.





**Figure 21-7** Timing example of continuous scan mode operation with power-fail comparison (ADA0S = 03<sub>H</sub>)

www.DataSheet4U.com

## 21.5 Cautions

### (1) When A/D Converter is not used

When the A/D Converter is not used, the power consumption can be reduced by clearing the ADA0CE bit of the ADA0M0 register to 0.

### (2) Input range of ANIn pins

Input the voltage within the specified range to the ANIn pins. If a voltage equal to or higher than  $AV_{REF}$  or equal to or lower than  $AV_{SS}$  (even within the range of the absolute maximum ratings) is input to any of these pins, the conversion value of that channel is undefined.

### (3) Countermeasures against noise

To maintain the 10-bit resolution, the ANIn pins must be effectively protected from noise. The influence of noise increases as the output impedance of the analog input source becomes higher. To lower the noise, connecting an external capacitor as shown in *Figure 21-8* is recommended.

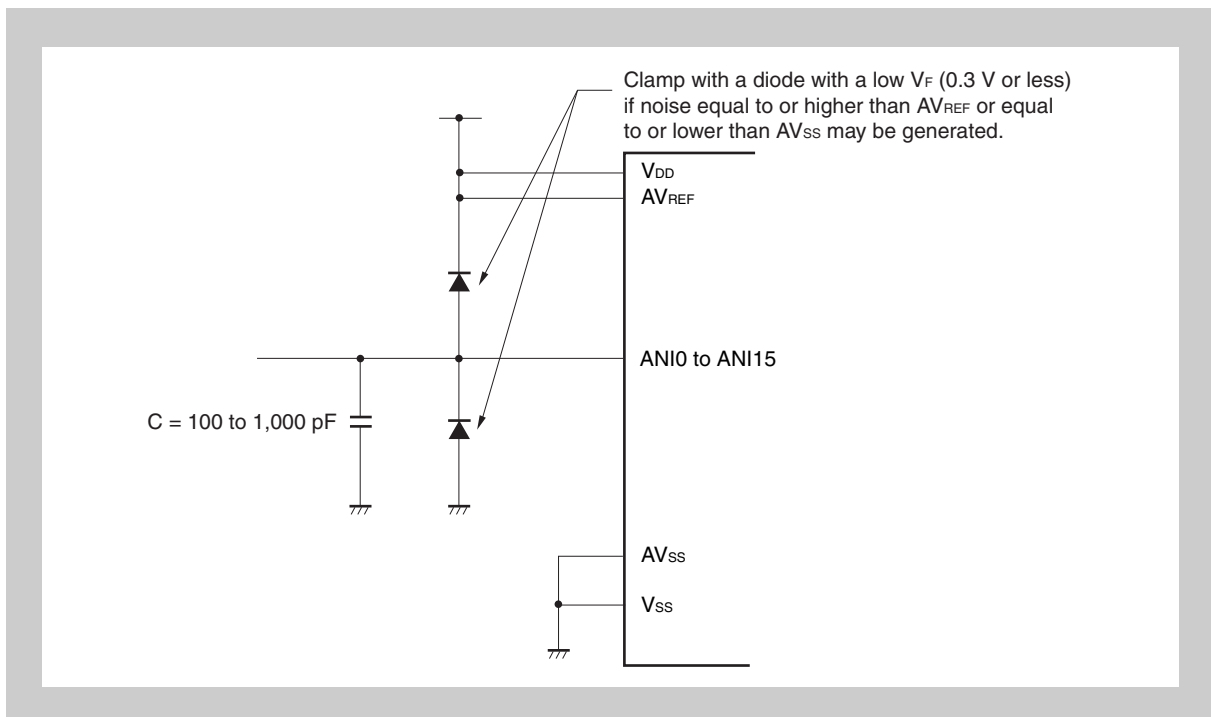


Figure 21-8 Processing of analog input pin

### (4) Alternate I/O

The analog input pins ANIn function alternately as port pins. When selecting one of the ANIn pins to execute A/D conversion, do not execute an instruction to read an input port or write to an output port during conversion as the conversion resolution may drop.

If a digital pulse is applied to a pin adjacent to the pin whose input signal is being converted, the A/D conversion value may not be as expected due to the influence of coupling noise. Therefore, do not apply a pulse to a pin adjacent to the pin undergoing A/D conversion.

**(5) Interrupt request flag (ADIF)**

The interrupt request flag (ADIF) is not cleared even if the contents of the ADA0S register are changed. If the analog input pin is changed during A/D conversion, therefore, the result of converting the previously selected analog input signal may be stored and the conversion end interrupt request flag may be set immediately before the ADA0S register is rewritten. If the ADIF flag is read immediately after the ADA0S register is rewritten, the ADIF flag may be set even though the A/D conversion of the newly selected analog input pin has not been completed. When A/D conversion is stopped, clear the ADIF flag before resuming conversion.

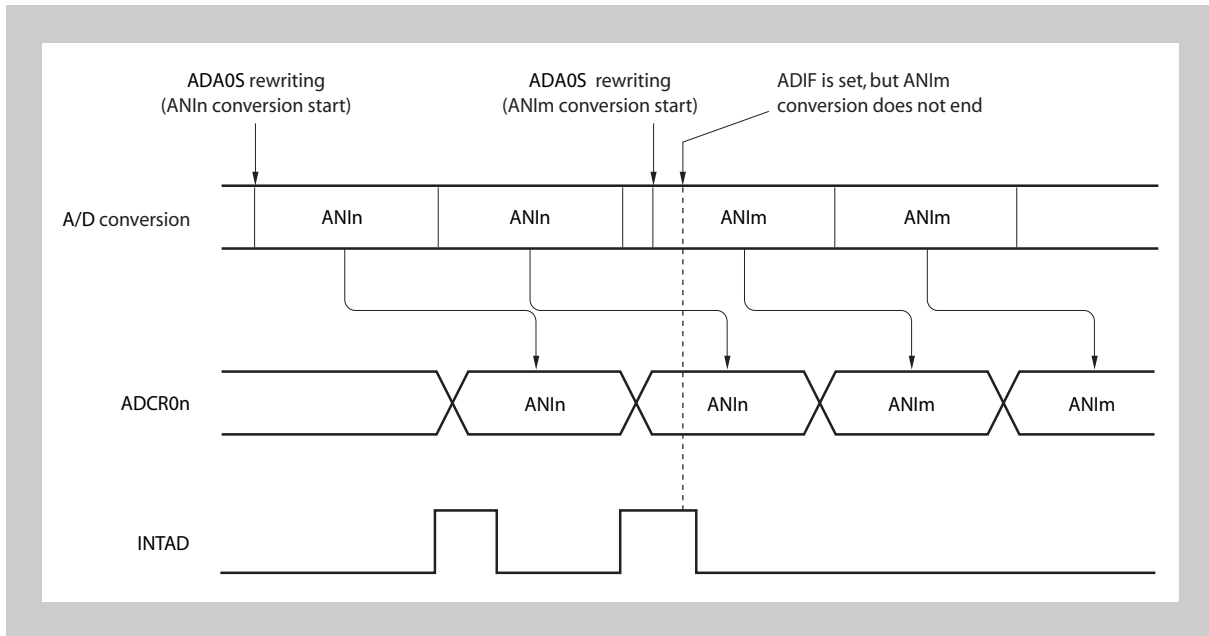


Figure 21-9 Generation timing of A/D conversion end interrupt request

**(6) Reading ADCR0n register**

When the ADA0M0 to ADA0M2 or ADA0S register is written, the contents of the ADCR0n register may be undefined. Read the conversion result after completion of conversion and before writing to the ADA0M0 to ADA0M2 and ADA0S registers. The correct conversion result may not be read at a timing different from the above.

## 21.6 How to Read A/D Converter Characteristics Table

This section describes the terms related to the A/D Converter.

### (1) Resolution

The minimum analog input voltage that can be recognized, i.e., the ratio of an analog input voltage to 1 bit of digital output is called 1 LSB (least significant bit). The ratio of 1 LSB to the full scale is expressed as %FSR (full-scale range). %FSR is the ratio of a range of convertible analog input voltages expressed as a percentage, and can be expressed as follows, independently of the resolution.

$$\begin{aligned} 1\%FSR &= (\text{Maximum value of convertible analog input voltage} - \\ &\quad \text{Minimum value of convertible analog input voltage})/100 \\ &= (AV_{REF} - 0)/100 \\ &= AV_{REF}/100 \end{aligned}$$

When the resolution is 10 bits, 1 LSB is as follows:

$$\begin{aligned} 1 \text{ LSB} &= 1/2^{10} = 1/1,024 \\ &= 0.098\%FSR \end{aligned}$$

The accuracy is determined by the overall error, independently of the resolution.

### (2) Overall error

This is the maximum value of the difference between an actually measured value and a theoretical value. It is a total of zero-scale error, full-scale error, linearity error, and a combination of these errors.

The overall error in the characteristics table does not include the quantization error.

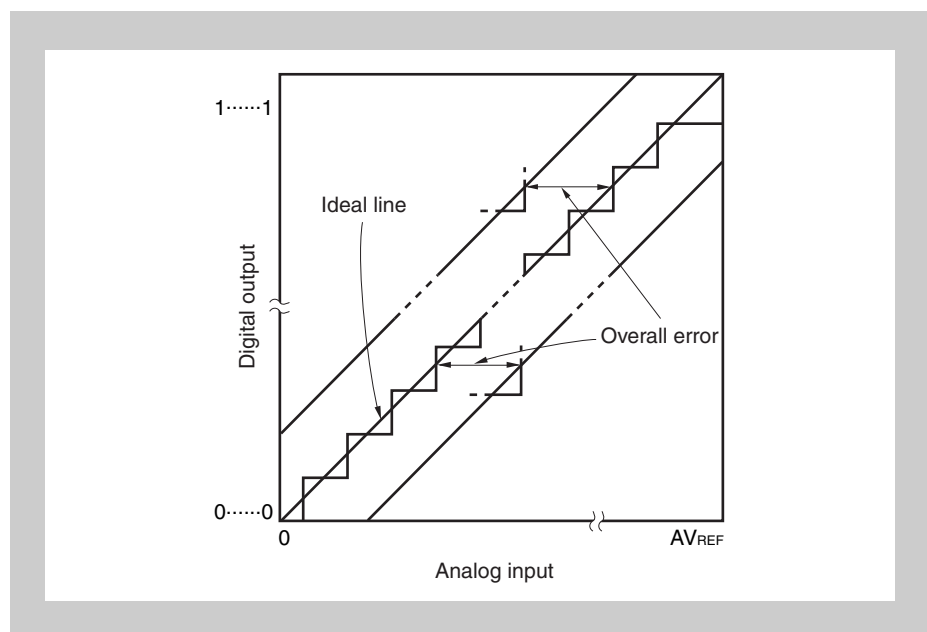


Figure 21-10 Overall error

**(3) Quantization error**

This is an error of  $\pm 1/2$  LSB that inevitably occurs when an analog value is converted into a digital value. Because the A/D Converter converts analog input voltages in a range of  $\pm 1/2$  LSB into the same digital codes, a quantization error is unavoidable.

This error is not included in the overall error, zero-scale error, full-scale error, integral linearity error, or differential linearity error in the characteristics table.

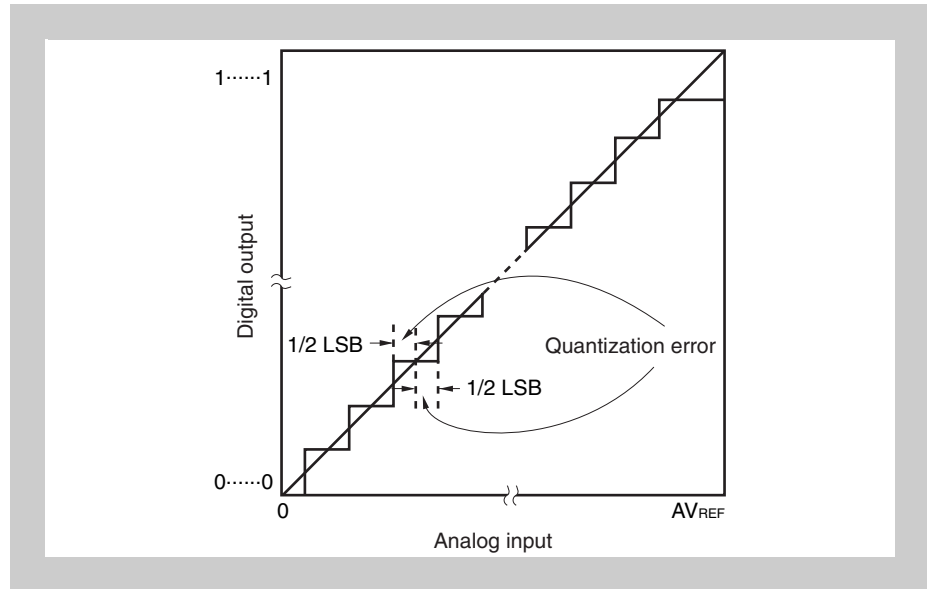


Figure 21-11 Quantization error

**(4) Zero-scale error**

This is the difference between the actually measured analog input voltage and its theoretical value when the digital output changes from 0...000 to 0...001 (1/2 LSB).

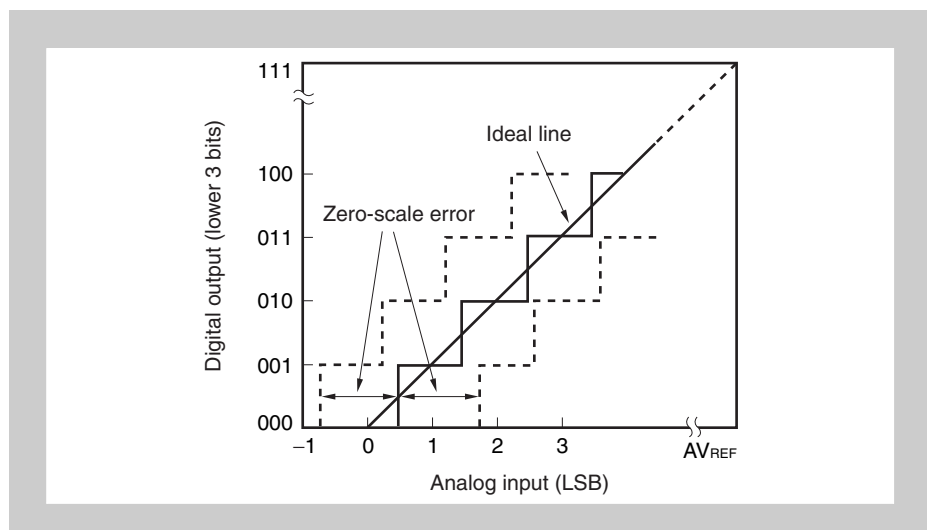


Figure 21-12 Zero-scale error

**(5) Full-scale error**

This is the difference between the actually measured analog input voltage and its theoretical value when the digital output changes from 1...110 to 0...111 (full scale - 3/2 LSB).

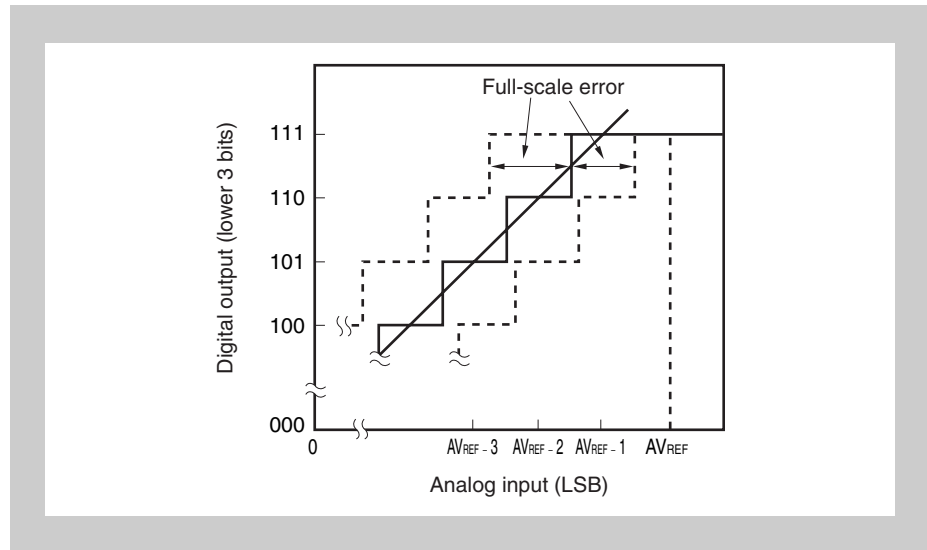


Figure 21-13 Full-scale error

**(6) Differential linearity error**

Ideally, the width to output a specific code is 1 LSB. This error indicates the difference between the actually measured value and its theoretical value when a specific code is output.

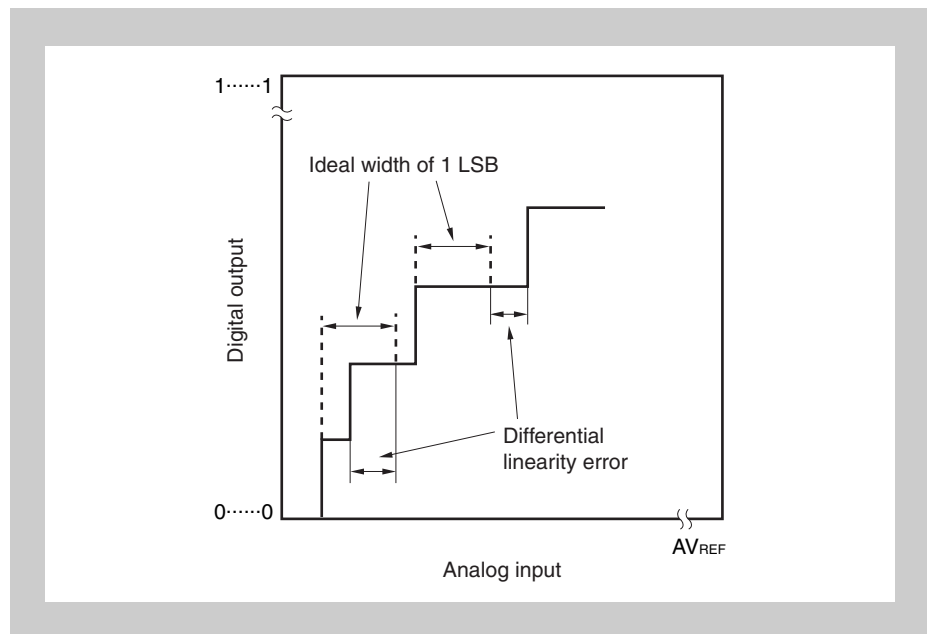


Figure 21-14 Differential linearity error

**(7) Integral linearity error**

This error indicates the extent to which the conversion characteristics differ from the ideal linear relationship. It indicates the maximum value of the difference between the actually measured value and its theoretical value where the zero-scale error and full-scale error are 0.

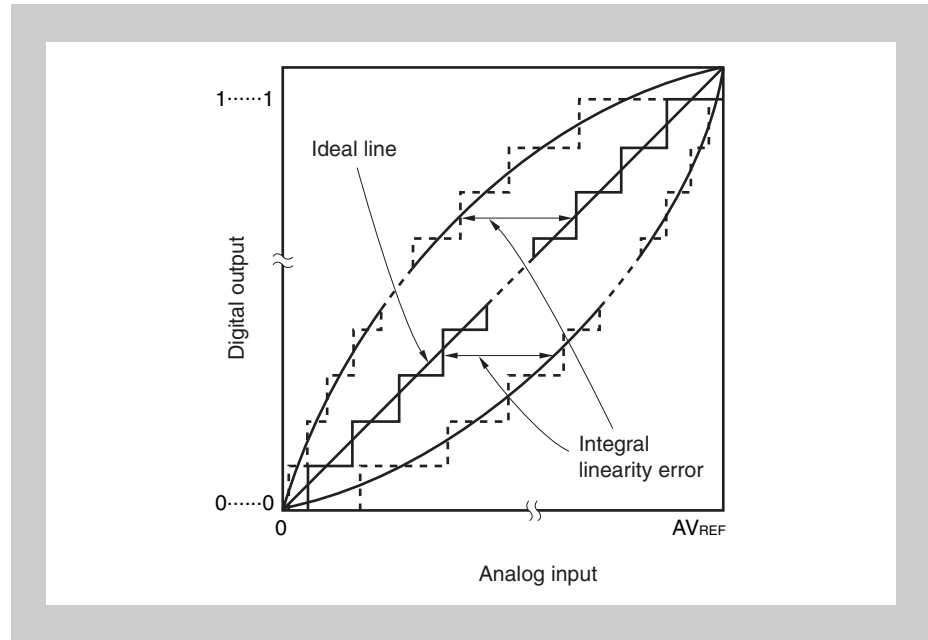


Figure 21-15 Integral linearity error

**(8) Conversion time**

This is the time required to obtain a digital output after an analog input voltage has been assigned.

The conversion time in the characteristics table includes the sampling time.

**(9) Sampling time**

This is the time for which the analog switch is ON to load an analog voltage to the sample & hold circuit.

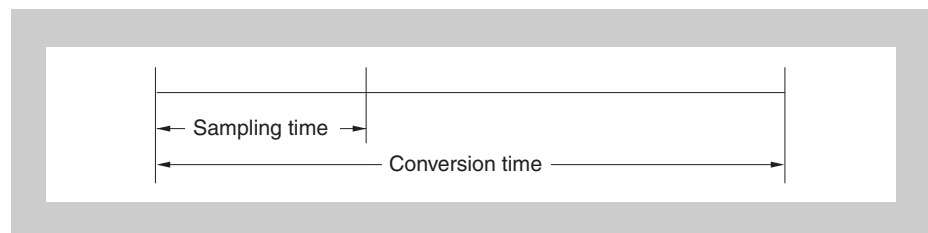


Figure 21-16 Sampling time





# Chapter 22 Stepper Motor Controller/Driver (Stepper-C/D)

The Stepper Motor Controller/Driver module is comprised of six drivers ( $k = 1$  to 6) for external  $360^\circ$  type meters or for bipolar and unipolar stepper motors.

The V850E/Dx3 microcontrollers have following instances of the Stepper Motor Controller/Driver:

Stepper-C/D	All devices
Instances	1

Throughout this chapter, the individual instances of Stepper-C/D are identified by “n”, for example MCNTCn0, or MCNTCn1 for the timer mode control registers.

The Stepper Motor Controller/Driver module can be separated into two sub-modules. Throughout this chapter, the individual sub-modules are identified by “m” ( $m = 0, 1$ ).

## 22.1 Overview

The Stepper Motor Controller/Driver module generates pulse width modulated (PWM) output signals. Each driver generates up to four output signals.

**Features summary** The generated output signals have the following features:

- Pulse width of 8 bits precision
- 1-bit addition function enables an average pulse width precision of 1/2 bit, resulting in a pseudo 9-bit precision
- PWM frequency up to 32 KHz
- automatic PWM phase shift for reducing fluctuation on power supply and for reducing the susceptibility to electromagnetic interference

### 22.1.1 Driver overview

A stepper motor is driven by PWM signals. The PWM signals are generated by comparing the contents of compare registers with the actual value of a free running up counter.

The Stepper Motor Controller/Driver module can be separated into two sub-modules - each sub-module contains one counter and assigned compare registers and control registers. In the following, the two sub-modules are called Stepper Motor Controller/Driver 0 sub-module and Stepper Motor Controller/Driver 1 sub-module.

The following figures show the main components of the Stepper Motor Controller/Driver 0 sub-module (Figure 22-1) and of the Stepper Motor Controller/Driver 1 sub-module (Figure 22-2).

The Stepper Motor Controller/Driver 0 sub-module is comprised of 4 drivers ( $k = 1$  to 4), Stepper Motor Controller/Driver 1 sub-module is comprised of 2 drivers ( $k = 5$  to 6). Each Stepper Motor Controller/Driver sub-module includes a free running up counter (CNTm). The counter is controlled by a timer mode control register (MCNTCnm).

Each of the six drivers consists of two compare registers, MCMPnk0 and MCMPnk1, respectively. Their contents define the pulse widths for the sine and the cosine side of the meters. The MCMPnk0/MCMPnk1 registers comprise a master-slave register combination. This allows to re-write the master register while the slave register is currently used for comparison with the counter CNTm.

The compare control register MCMPCnk defines whether or not enhanced pulse width precision by one-bit addition is enabled, and it routes the output signals to the corresponding output pins (SMk1 to SMk4).

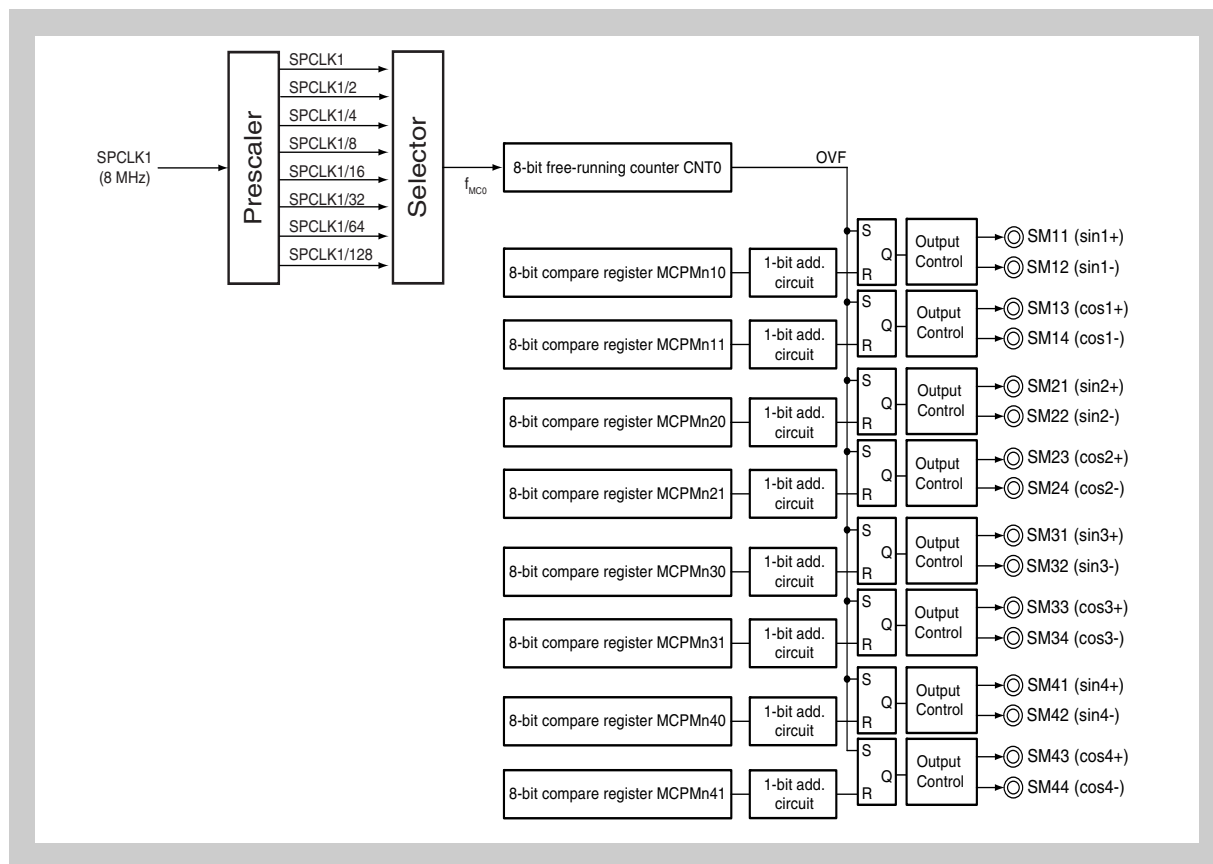


Figure 22-1 Stepper Motor Controller/Driver 0 block diagram

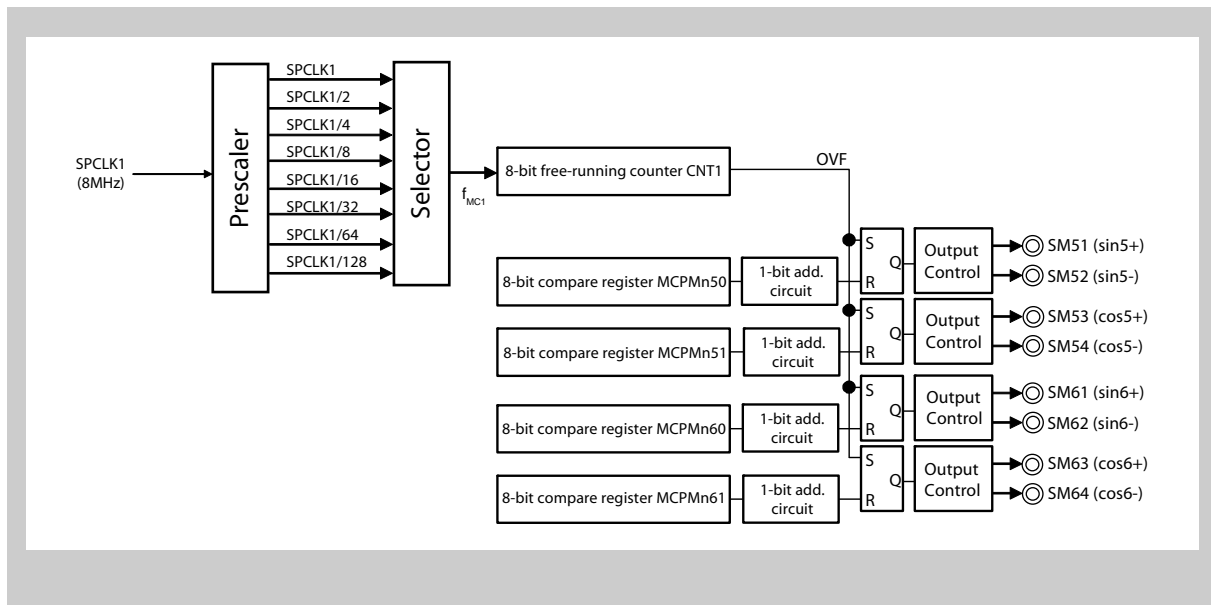


Figure 22-2 Stepper Motor Controller/Driver 1 block diagram

The external signals are listed in the following table.

Table 22-1 Stepper Motor Controller/Driver external connections

Signal name	I/O	Active level	Reset level	Pins	Function
SM[1:6]1	O	–	L	SM11 to SM61	driver signal, sine side (+)
SM[1:6]2	O	–	L	SM12 to SM62	driver signal, sine side (–)
SM[1:6]3	O	–	L	SM13 to SM63	driver signal, cosine side (+)
SM[1:6]4	O	–	L	SM14 to SM64	driver signal, cosine side (–)

## 22.2 Stepper Motor Controller/Driver Registers

The Stepper Motor Controller/Driver is controlled and operated by means of the following registers:

Table 22-2 Stepper Motor Controller/Driver registers overview

Register name	Shortcut	Address
Timer mode control registers	MCNTCn0	<base>
	MCNTCn1	<base> + 14 <sub>H</sub>
Compare registers	MCMPnk0 (k = 1 to 6)	<base> + 2 <sub>H</sub> , 4 <sub>H</sub> , 6 <sub>H</sub> , 8 <sub>H</sub> , 16 <sub>H</sub> , 18 <sub>H</sub>
	MCMPnk1 (k = 1 to 6)	<base> + 3 <sub>H</sub> , 5 <sub>H</sub> , 7 <sub>H</sub> , 9 <sub>H</sub> , 17 <sub>H</sub> , 19 <sub>H</sub>
	MCMPnkHW (k = 1 to 6)	<base> + 2 <sub>H</sub> , 4 <sub>H</sub> , 6 <sub>H</sub> , 8 <sub>H</sub> , 16 <sub>H</sub> , 18 <sub>H</sub>
Compare control registers	MCMPCnk (k = 1 to 6)	<base> + A <sub>H</sub> , C <sub>H</sub> , E <sub>H</sub> , 10 <sub>H</sub> , 1A <sub>H</sub> , 1C <sub>H</sub>

The base address of the Stepper Motor Controller/Driver is  
<base> = FFFF F5C0<sub>H</sub>.

**(1) MCNTCn0, MCNTCn1 - Timer mode control registers**

The 8-bit MCNTCnm registers control the operation of the free running up counters CNTm.

**Access** These registers can be read/written in 8-bit or 1-bit units.

**Address** MCNTCn0: <base>  
MCNTCn1: <base> + 14<sub>H</sub>

**Initial Value** 00<sub>H</sub>. This register is cleared by any reset.

7	6	5	4	3	2	1	0
CAE <sup>a</sup>	0	FULL	PCE	0	SMCL2	SMCL1	SMCL0
R/W <sup>b</sup>	R	R/W	R/W	R	R/W	R/W	R/W

- a) Bit CAE refers only to register MCNTCn0. In register MCNTCn1, this bit is set to 0.
- b) In register MCNTCn1, this bit is read only (R)

**Table 22-3 MCNTCnm register contents**

Bit position	Bit name	Function																																				
7	CAE <sup>a</sup>	Stepper Motor Controller/Driver control 0: Stepper Motor Controller/Driver operation is disabled. 1: Stepper Motor Controller/Driver operation is enabled. This bit switches both Stepper Motor Controller/Driver 0 and Stepper Motor Controller/Driver 1.																																				
5	FULL	Sets the count range of the timer counter 0: count range from 01 <sub>H</sub> to FF <sub>H</sub> 1: count range from 00 <sub>H</sub> to FF <sub>H</sub> The initial start value is 00 <sub>H</sub> in both cases. For the impact of this bit on duty factor and PWM cycle time, see also “Duty Factor” on page 892.																																				
4	PCE	Timer operation control 0: Timer counter is stopped. 1: Timer counter is enabled.																																				
2 to 0	SMCL[2:0]	Sets the timer count clock for the timer counter <table border="1" style="margin-left: 20px;"> <thead> <tr> <th>SMCL2</th> <th>SMCL1</th> <th>SMCL0</th> <th>Selected timer count clock</th> </tr> </thead> <tbody> <tr> <td style="text-align: center;">0</td> <td style="text-align: center;">0</td> <td style="text-align: center;">0</td> <td>SPCLK1</td> </tr> <tr> <td style="text-align: center;">0</td> <td style="text-align: center;">0</td> <td style="text-align: center;">1</td> <td>SPCLK1 / 2</td> </tr> <tr> <td style="text-align: center;">0</td> <td style="text-align: center;">1</td> <td style="text-align: center;">0</td> <td>SPCLK1 / 4</td> </tr> <tr> <td style="text-align: center;">0</td> <td style="text-align: center;">1</td> <td style="text-align: center;">1</td> <td>SPCLK1 / 8</td> </tr> <tr> <td style="text-align: center;">1</td> <td style="text-align: center;">0</td> <td style="text-align: center;">0</td> <td>SPCLK1 / 16</td> </tr> <tr> <td style="text-align: center;">1</td> <td style="text-align: center;">0</td> <td style="text-align: center;">1</td> <td>SPCLK1 / 32</td> </tr> <tr> <td style="text-align: center;">1</td> <td style="text-align: center;">1</td> <td style="text-align: center;">0</td> <td>SPCLK1 / 64</td> </tr> <tr> <td style="text-align: center;">1</td> <td style="text-align: center;">1</td> <td style="text-align: center;">1</td> <td>SPCLK1 / 128</td> </tr> </tbody> </table>	SMCL2	SMCL1	SMCL0	Selected timer count clock	0	0	0	SPCLK1	0	0	1	SPCLK1 / 2	0	1	0	SPCLK1 / 4	0	1	1	SPCLK1 / 8	1	0	0	SPCLK1 / 16	1	0	1	SPCLK1 / 32	1	1	0	SPCLK1 / 64	1	1	1	SPCLK1 / 128
SMCL2	SMCL1	SMCL0	Selected timer count clock																																			
0	0	0	SPCLK1																																			
0	0	1	SPCLK1 / 2																																			
0	1	0	SPCLK1 / 4																																			
0	1	1	SPCLK1 / 8																																			
1	0	0	SPCLK1 / 16																																			
1	0	1	SPCLK1 / 32																																			
1	1	0	SPCLK1 / 64																																			
1	1	1	SPCLK1 / 128																																			

a) Bit CAE refers only to register MCNTCn0. In register MCNTCn1, this bit is set to 0.

**Caution** In register MCNTCn0, bits 3 and 6 must be 0.  
In register MCNTCn1, bits 3, 6 and 7 must be 0.

**Power save mode preparation** Before entering any power save mode the Stepper-C/D must be shut down in advance in order to minimize power consumption.

Apply following sequence to shut down the Stepper-C/D:

1. Stop the counter CNT1 by setting MCNTCn1.PCE = 0.
2. Stop the counter CNT0 by setting MCNTCn0.PCE = 0.
3. Disable the Stepper-C/D operation by setting MCNTCn0.CAE = 0.

Note that the MCNTCn0.PCE and MCNTCn0.CAE bits must not be cleared to 0 by a single write instruction. Perform two write instructions as shown above.

**(2) MCMPn0 - Compare registers for sine side (k = 1 to 6)**

The 8-bit MCMPn0 registers hold the values that define the PWM pulse width for the sine side of the connected meters.

The contents of the registers are continuously compared to the timer counter value:

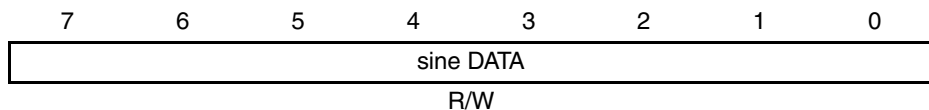
- Registers MCMPn10 to MCMPn40 are compared to CNT0.
- Registers MCMPn50 to MCMPn60 are compared to CNT1.

When the register contents match the timer counter contents, a match signal is generated. Thus a PWM pulse with a pulse width corresponding to the MCMPn0 register contents is output to the sine side of the connected meter.

**Access** These registers can be read/written in 8-bit units.

**Address** <base> + 2<sub>H</sub>, 4<sub>H</sub>, 6<sub>H</sub>, 8<sub>H</sub>, 16<sub>H</sub>, 18<sub>H</sub>

**Initial Value** 00<sub>H</sub>. This register is cleared by any reset.



- Note**
1. New data must only be written to registers MCMPn0 if the corresponding bit MCMPn0.TEN = 0.
  2. Don't write to the compare register MCMPn0, until the corresponding bit MCMPn0.TEN has been reset to 0 automatically.
  3. To enable master-to-slave register copy upon next CNTm overflow set MCMPn0.TEN = 1.

**(3) MCMPnk1 - Compare registers for cosine side (k = 1 to 6)**

The 8-bit MCMPnk1 registers hold the values that define the PWM pulse width for the cosine side of the connected meters.

The contents of the registers are continuously compared to the timer counter value:

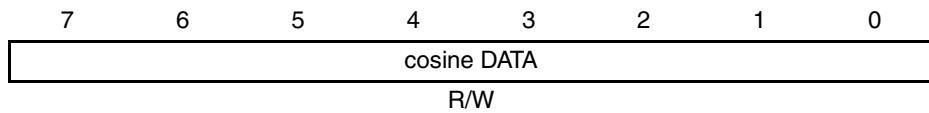
- Registers MCMPn11 to MCMPn41 are compared to CNT0.
- Registers MCMPn51 to MCMPn61 are compared to CNT1.

When the register contents match the timer counter contents, a match signal is generated. Thus a PWM pulse with a pulse width corresponding to the MCMPnk1 register contents is output to the sine side of the connected meter.

**Access** These registers can be read/written in 8-bit units.

**Address** <base> + 3<sub>H</sub>, 5<sub>H</sub>, 7<sub>H</sub>, 9<sub>H</sub>, 17<sub>H</sub>, 19<sub>H</sub>

**Initial Value** 00<sub>H</sub>. This register is cleared by any reset.



- Note**
1. New data must only be written to registers MCMPnk1 if the corresponding bit MCMPcnk.TEN = 0.
  2. Don't write to the compare register MCMPnk1, until the corresponding bit MCMPcnk.TEN has been reset to 0 automatically.
  3. To enable master-to-slave register copy upon next CNTm overflow set MCMPcnk.TEN = 1.

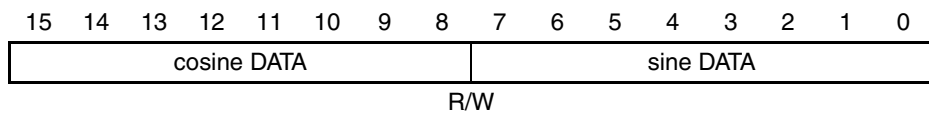
**(4) MCMPnkHW - Combined compare registers (k = 1 to 6)**

The 16-bit MCPMnkHW registers combine the sine and cosine registers MCMPnk0 and MCMPnk1. Via these registers it is possible to read or write the contents of MCMPnk0 and MCMPnk1 in a single instruction.

**Access** These registers can be read/written in 16-bit units.

**Address** <base> + 2<sub>H</sub>, 4<sub>H</sub>, 6<sub>H</sub>, 8<sub>H</sub>, 16<sub>H</sub>, 18<sub>H</sub>

**Initial Value** 0000<sub>H</sub>. This register is cleared by any reset.



- Note**
1. New data must only be written to registers MCMPnk1 if the corresponding bit MCMPcnk.TEN = 0.
  2. Don't write to the compare register MCMPnk1, until the corresponding bit MCMPcnk.TEN has been reset to 0 automatically.
  3. To enable master-to-slave register copy upon next CNTm overflow set MCMPcnk.TEN = 1.

**(5) MCMP<sub>C</sub>n<sub>k</sub> - Compare control registers (k = 1 to 6)**

The 8-bit MCMP<sub>C</sub>n<sub>k</sub> registers control the operation of the corresponding compare registers and the output direction of the PWM pin.

**Access** These registers can be read/written in 8-bit units.

**Address** <base> + A<sub>H</sub>, C<sub>H</sub>, E<sub>H</sub>, 10<sub>H</sub>, 1A<sub>H</sub>, 1C<sub>H</sub>

**Initial Value** 00<sub>H</sub>. This register is cleared by any reset.

7	6	5	4	3	2	1	0
AOUT	0 <sup>a</sup>	0 <sup>b</sup>	TEN	ADB1	ADB0	DIR1	DIR0
R/W	R/W	R	R/W	R/W	R/W	R/W	R/W

a) Do not change this bit.

b) This bit may be written, but writing is ignored.

**Table 22-4 MCMP<sub>C</sub>n<sub>k</sub> register contents**

Bit position	Bit name	Function															
7	AOUT	Selects the output pins for sine and cosine signals 0: The PWM signals for sine and cosine side are output to those pins that are selected by bits DIR0 and DIR1. At all other pins, the output signal is 0 (SMV <sub>SS</sub> level). 1: The PWM signal for the sine side is output to pins SMk1 and SMk2. The PWM signal for the cosine side is output to pins SMk3 and SMk4.															
4	TEN	Transfer enable control bit 0: MCMPn <sub>k</sub> 0/MCMPn <sub>k</sub> 1 master-to-slave register copy is disabled. New data can be written to compare registers MCMPn <sub>k</sub> 0 or MCMPn <sub>k</sub> 1. 1: MCMPn <sub>k</sub> 0/MCMPn <sub>k</sub> 1 master-to-slave register copy is enabled. The copy process will take place when CNT0 or CNT1, respectively, overflows. Don't write to compare registers MCMPn <sub>k</sub> 0 or MCMPn <sub>k</sub> 1 while MCMP <sub>C</sub> n <sub>k</sub> .TEN = 1. <b>Note:</b> This bit functions as a control bit and status flag. It is automatically reset to zero upon the next timer counter overflow.															
3	ADB1	Sets 1-bit addition function for cosine side 0: no 1-bit addition to PWM signal 1: 1-bit addition to PWM signal															
2	ADB0	Sets 1-bit addition function for sine side 0: no 1-bit addition to PWM signal 1: 1-bit addition to PWM signal															
1 to 0	DIR[1:0]	Selects the output pins for the PWM signals. Bits DIR1 and DIR0 address the quadrant to be activated by sine and cosine. The PWM signal is routed to the specific pin with respect to the sin/cos of each quadrant. <table border="1" data-bbox="531 1592 1382 1845"> <thead> <tr> <th>DIR1</th> <th>DIR0</th> <th>Selected output pins</th> </tr> </thead> <tbody> <tr> <td>0</td> <td>0</td> <td>Quadrant 1: SMk1 (sin +), SMk3 (cos +)</td> </tr> <tr> <td>0</td> <td>1</td> <td>Quadrant 2: SMk1 (sin +), SMk4 (cos -)</td> </tr> <tr> <td>1</td> <td>0</td> <td>Quadrant 3: SMk2 (sin -), SMk4 (cos -)</td> </tr> <tr> <td>1</td> <td>1</td> <td>Quadrant 4: SMk2 (sin -), SMk3 (cos +)</td> </tr> </tbody> </table> <p>At the other output pins, the output level is SMV<sub>SS</sub>. <b>Note:</b> These bits are only considered if bit AOUT is set to 0.</p>	DIR1	DIR0	Selected output pins	0	0	Quadrant 1: SMk1 (sin +), SMk3 (cos +)	0	1	Quadrant 2: SMk1 (sin +), SMk4 (cos -)	1	0	Quadrant 3: SMk2 (sin -), SMk4 (cos -)	1	1	Quadrant 4: SMk2 (sin -), SMk3 (cos +)
DIR1	DIR0	Selected output pins															
0	0	Quadrant 1: SMk1 (sin +), SMk3 (cos +)															
0	1	Quadrant 2: SMk1 (sin +), SMk4 (cos -)															
1	0	Quadrant 3: SMk2 (sin -), SMk4 (cos -)															
1	1	Quadrant 4: SMk2 (sin -), SMk3 (cos +)															



## 22.3 Operation

In the following, the operation of the Stepper Motor Controller/Driver module as a driver for external meters is described.

### 22.3.1 Stepper Motor Controller/Driver operation

This section describes the generation of PWM signals of the driver  $k$  for driving external meters. Further, the achievable duty factor is explained and how advanced precision can be gained by 1-bit addition.

#### (1) Driving Meters

External meters can be driven both in H-bridge configuration and in half bridge configuration:

- Driving meters in H-bridge configuration

Deflection of the needle of a meter in H-bridge configuration is determined by the sine and cosine value of its desired angle. Since the PWM signals do not inherit a sign, separate signals for positive and negative sine and cosine values are generated.

The four signals at pins SMk1 to SMk4 of the driver  $k$  are:

- sine side, positive (sin +)
- sine side, negative (sin –)
- cosine side, positive (cos +)
- cosine side, negative (cos –)

Two output control circuits select which signal (sign) for sine side and cosine side is output (bits MCMPCnk.DIR[1:0]). At the remaining two output pins, the signal is set to low level.

To drive meter  $k$  in full bridge mode, set bit MCMPCnk.AOUT to 0.

- Driving meters in half bridge configuration

In this mode, the same signal is sent to both sine pins (SMk1 and SMk2) and both cosine pins (SMk3 and SMk4), respectively. The setting of output control bits MCMPCnk.DIR[1:0] is neglected.

To drive meter  $k$  in half bridge mode, set bit MCMPCnk.AOUT to 1.

#### (2) Generation of PWM signals

Bit data corresponding to the length of the PWM pulses has to be written to the compare registers MCMPCnk0 (sine side) and MCMPCnk1 (cosine side).

A timer counter is counting up. The rising edge of the PWM pulse is initiated at the overflow of the counter. The falling edge of the PWM pulse is initiated when the counter value equals the contents of the compare register.

The absolute pulse length in seconds is defined by the timer count clock ( $f_{MC0}$  and  $f_{MC1}$ , respectively). Various cycle times can be set via the timer mode control registers MCNTCn0 and MCNTCn1.

**Instruction** When writing data to compare registers, proceed as follows:

1. Confirm that MCMPCnk.TEN = 0.
2. Write 8-bit PWM data to MCMPnk0 and MCMPnk1.
3. Set MCMPCnk.ADB0 and MCMPCnk.ADB1 as desired.
4. Set MCMPCnk.TEN = 1 to start the counting operation.

The data in MCMPnk0/MCMPnk1 will automatically be copied to the compare slave register when the counter overflows. The new pulse width is valid immediately.

Bit MCMPCnk.TEN is automatically cleared to 0 by hardware.

### (3) Duty Factor

The minimum pulse width that can be generated is zero (output signal is low) and the maximum pulse width is 255 clock cycles (maximum value of 8-bit compare registers).

The count range of the timer counter defines the duty factor. It can be set by bit MCNTCnm.FULL:

- count range 01<sub>H</sub> to FF<sub>H</sub> (MCNTCnm.FULL = 0)

Formula for the duty cycle:

$$\text{PWM duty} = \text{MCMPki} / 255 \quad \text{with } k = 1 \text{ to } 6 \text{ and } i = 0, 1$$

One count cycle is comprised of 255 clock cycles. A PWM signal with maximum pulse length is a steady high level signal. The duty factor is 100%.

- count range 00<sub>H</sub> to FF<sub>H</sub> (MCNTCnm.FULL = 1)

Formula for the duty cycle:

$$\text{PWM duty} = \text{MCMPki} / 256 \quad \text{with } k = 1 \text{ to } 6 \text{ and } i = 0, 1$$

One count cycle is comprised of 256 clock cycles. A PWM signal with maximum pulse length is comprised of 255 clock cycles at high level and one clock cycle at low level. The duty factor is  $255/256 * 100\% = 99.6\%$ .

### (4) Advanced precision by 1-bit addition

The precision of the angle of a needle is implicitly defined by the number of bits of the compare registers MCMPnk0 and MCMPnk1 (8 bit).

If the 1-bit addition circuit is enabled, every second pulse of the PWM signal is extended by one bit (one clock cycle). In average, a pulse width precision of 1/2 bit (1/2 clock) can be achieved.

The following figures show the timing of PWM output signals with 1-bit addition disabled and enabled.

- Note**
1. The PWM pulse is not generated until the first overflow occurs after the counting operation has been started.
  2. The PWM signal is two cycle counts delayed compared to the overflow signal and the match signal. This is not depicted in the figures.

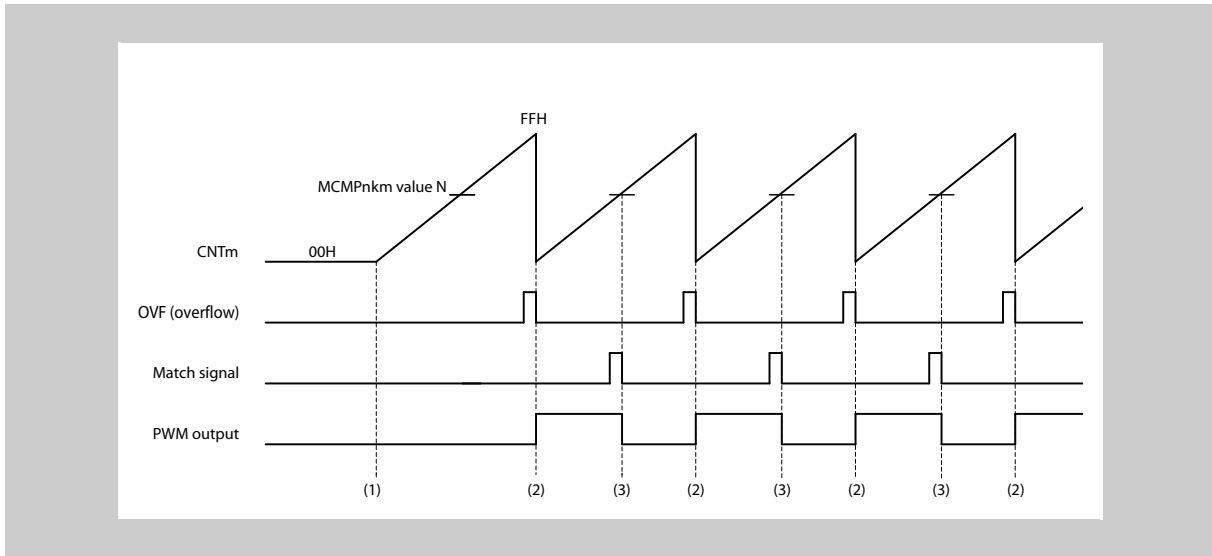


Figure 22-3 Output timing without 1-bit addition

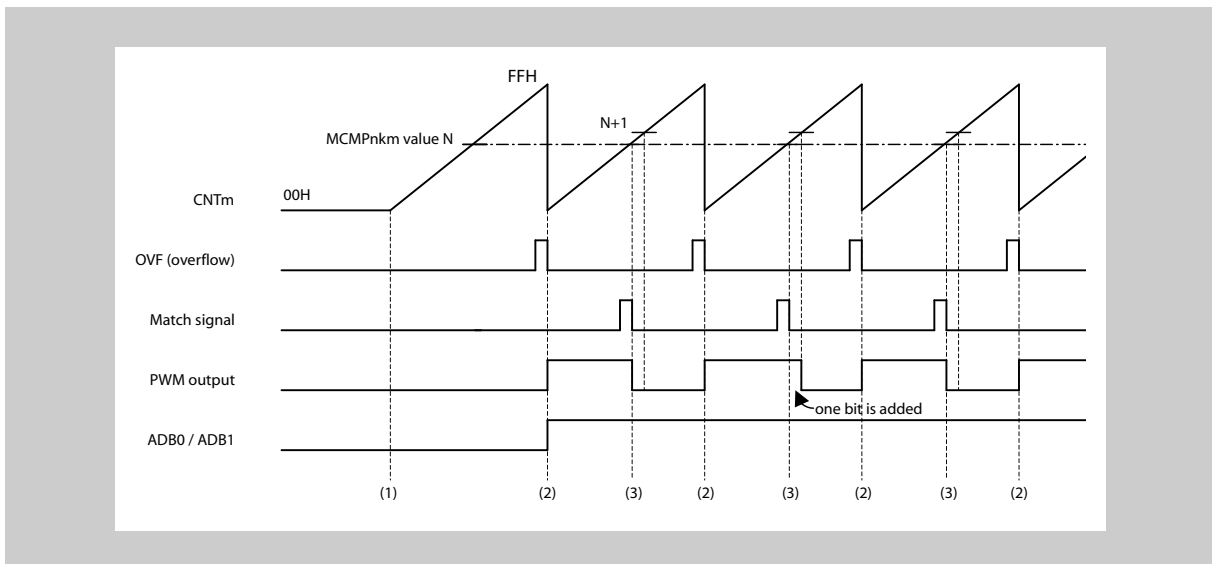


Figure 22-4 Output timing with 1-bit addition

- Sequence**
1. Start of counting (MCNTCnm.PCE is set to 1)
  2. Generation of overflow signal (start of PWM pulse)
  3. Generation of match signal (timer counter CNTm matches compare register, end of PWM pulse)

## 22.4 Timing

This section starts with the timing of the timer counter and general output timing behaviour. Then, examples of output signal generation with and without 1-bit addition are presented.

### 22.4.1 Timer counter

The free running up counter is clocked by the timer count clock selected in register MCNTCnm.

The counting operation is enabled or disabled by the MCNTCnm.PCE bit.

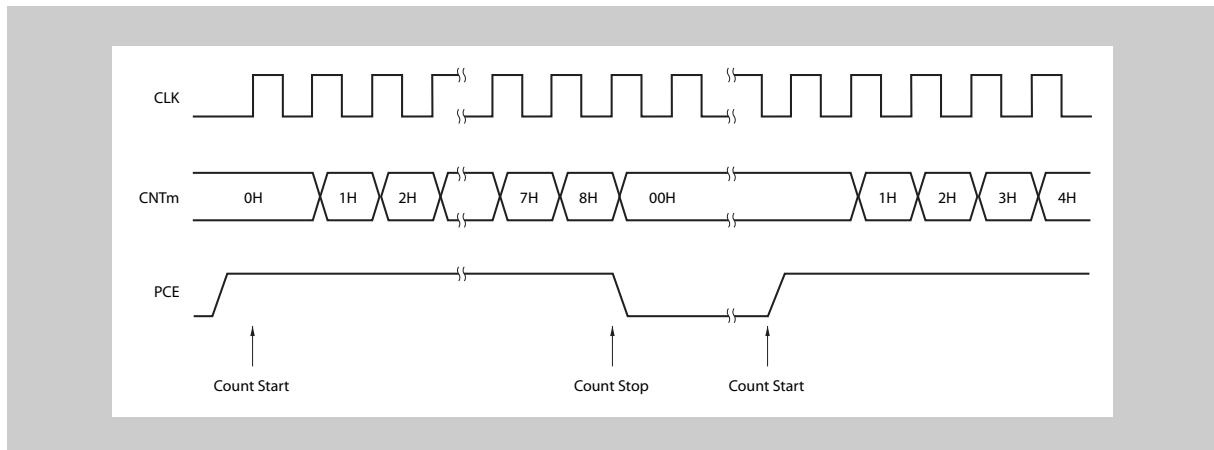


Figure 22-5 Restart Timing after Count Stop (Count Start—Count Stop—Count Start)

- Sequence**
- Count Start:
    - Enable counting operation (MCNTCnm.PCE = 1)
    - Timer counter starts with value 00<sub>H</sub>. Depending on bit MCNTCnm.FULL, all following counter cycles start with 00<sub>H</sub> or 01<sub>H</sub>, respectively.
  - Count Stop:
    - Disable counting operation (MCNTCnm.PCE = 0)
    - Counting is stopped and timer counter is set to 00<sub>H</sub>.

### 22.4.2 Automatic PWM phase shift

Simultaneous switching of sine and cosine output could lead to a fluctuation of the power supply and increase the susceptibility to electromagnetic interference. To prevent this for drivers 1 to 4, the output signals are automatically shifted by one timer count clock cycle defined in MCNTCn0.

The same accounts for the output signals of drivers 5 and 6. They are controlled by the timer count clock defined in MCNTCn1.

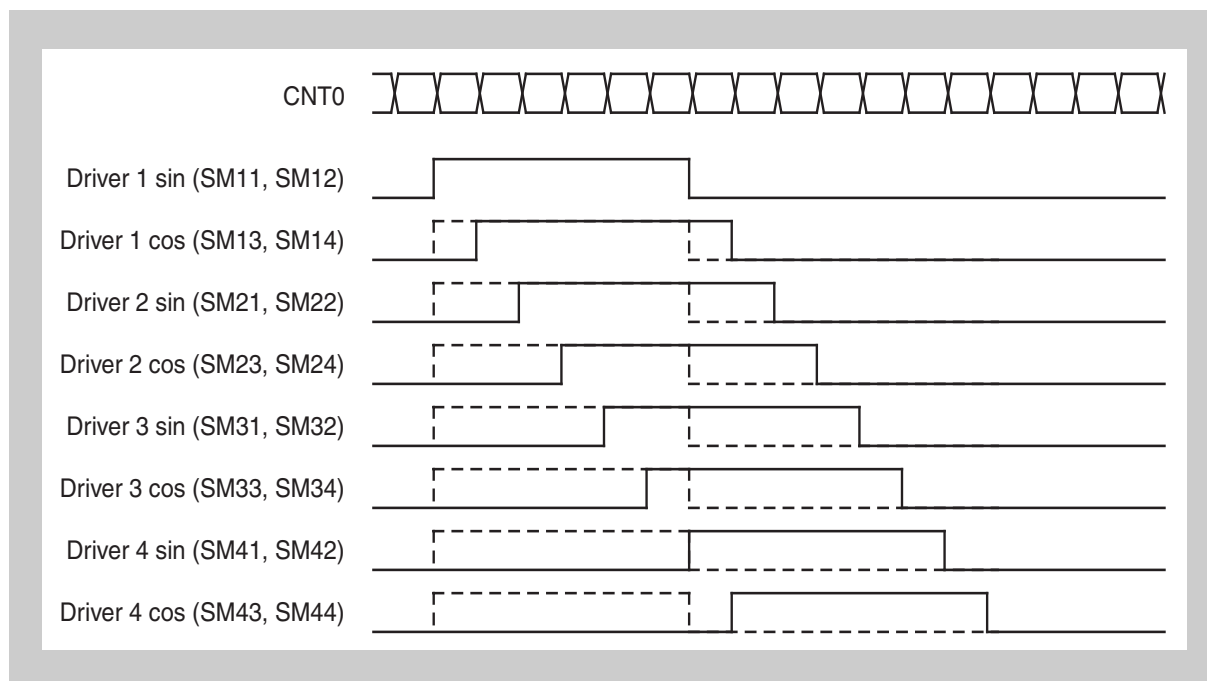


Figure 22-6 Output timing of signals SM11 to SM44

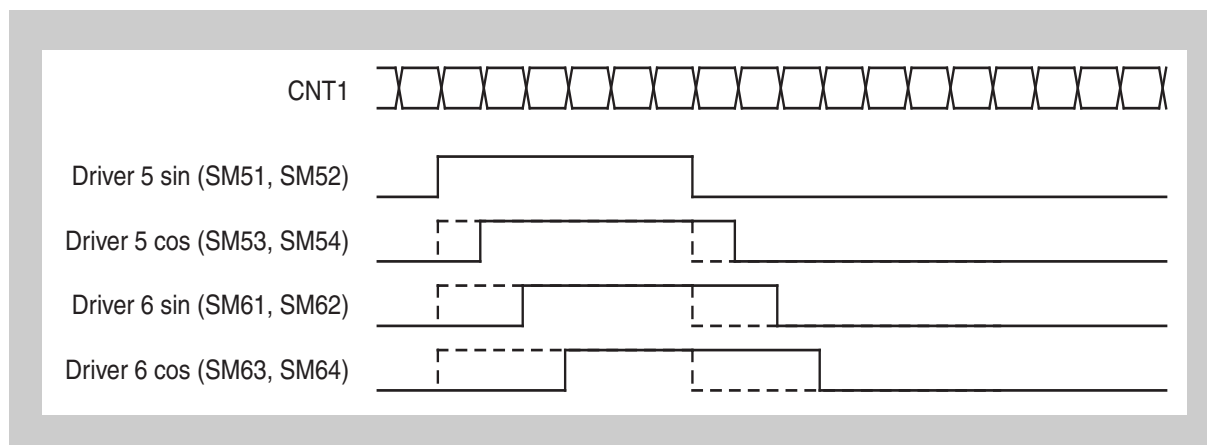


Figure 22-7 Output timing of signals SM51 to SM64



## Chapter 23 LCD Controller/Driver (LCD-C/D)

Only the  $\mu$ PD70F3421,  $\mu$ PD70F3422, and  $\mu$ PD70F3423 microcontrollers are provided with the LCD Controller/Driver.

This LCD Controller/Driver is suitable for LC displays with up to 160 segments. The supported addressing method of the LCD is multiplex addressing.

### 23.1 Overview

The LCD Controller/Driver generates the signals that are necessary for driving an LCD panel.

**Features summary** The LCD Controller/Driver provides:

- Maximum of 40 segment signal outputs (SEG0 to SEG39)
- 4 common signal outputs (COM0 to COM3)
- Display mode: 1/4 duty (1/3 bias)
- Wide range of selectable frame frequencies
- Edge enhancement

### 23.1.1 Description

The following figure shows the main components of the LCD Controller/Driver:

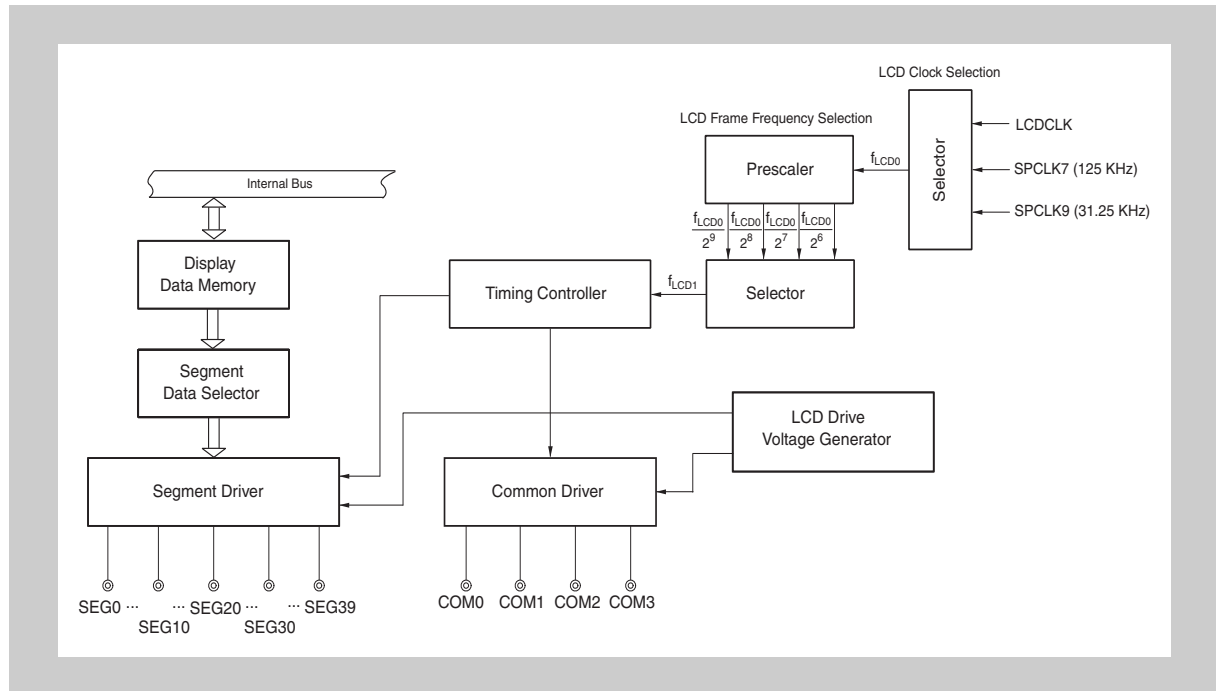


Figure 23-1 LCD Controller/Driver block diagram

The pattern that is to be displayed on the LCD panel has to be mapped to bit data. The bit data is stored in the display control registers SEGREGk (k = 0 to 39). The LCD Controller/Driver generates the corresponding output signals for driving the LCD panel.

The update rate of the LC display is determined by the frame frequency. It can be adjusted via the clock control register LCDC.

The external signals are listed in the following table.

Table 23-1 LCD Controller/Driver external connections

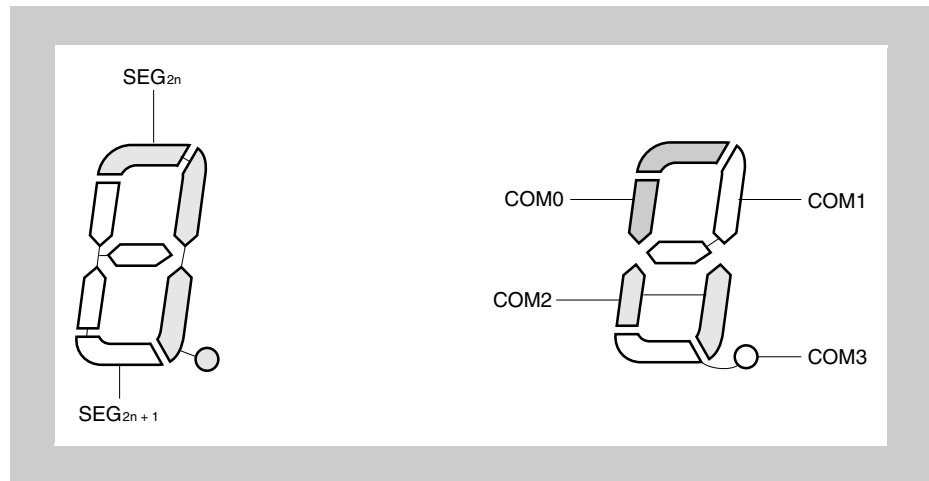
Signal name	I/O	Pins	Function
SEG[0:39]	O	SEG0 to SEG39	Segment signals
COM[0:3]	O	COM0 to COM3	Common signals



### 23.1.2 LCD panel addressing

Each individual segment of an LCD panel is addressed by a signal pair: a segment signal and a common signal. The segment becomes visible when the potential difference of the corresponding common signal and the segment signal reaches or exceeds the LCD drive voltage  $V_{LCD}$ .

- Example** Figure 23-2 shows how the eight LCD segments of a digit are allocated to
- two segment signals ( $SEG_{2n}$  and  $SEG_{2n+1}$ ,  $n = 0$  to 19)
  - four common signals



**Figure 23-2** Allocation of segment signals and common signals to LCD segments (4-time-division)

Every combination of a segment and a common signal addresses a single element. The middle horizontal bar, for example, becomes visible if the potential difference of signals  $SEG_{2n+1}$  and  $COM1$  exceeds  $V_{LCD}$ .

To display a desired pattern on the LCD panel:

1. Check what combination of segment and common signals form the desired display pattern.
2. Write bit data with the pattern to be displayed to registers  $SEGREGk$ .

The LCD Controller/Driver generates the corresponding segment and common signals.

See also the “Display Example” on page 906.

**Connections** At the LCD panel, the signals are connected as follows:

**Table 23-2** Signals and connections of LCD Controller/Driver

Signals	Connection at LCD panel
segment signals	front surface electrodes
common signals	rear surface electrodes

**Caution** The LCD panel is driven by AC voltage. The performance of the LCD deteriorates if DC voltage is applied in the common and segment signals. That means contrast and brightness of the display may decrease. The display may even be damaged.

## 23.2 LCD-C/D Registers

The LCD Controller/Driver is controlled by means of the following registers:

Table 23-3 LCD Controller/Driver registers overview

Register name	Shortcut	Address
LCD clock control register	LCDC0	FFFF FB00 <sub>H</sub>
LCD mode control register	LCDM0	FFFF FB01 <sub>H</sub>
LCD display control registers	SEGREG0k, k= 0 to 39	FFFF FB20 <sub>H</sub> to FFFF FB47 <sub>H</sub>

**(1) LCDC0 - LCD clock control register**

The 8-bit LCDC0 register determines the duty cycle frequency  $f_{LCD1}$ .

**Access** This register can be read/written in 8-bit or 1-bit units.

**Address** FFFF FB00<sub>H</sub>

**Initial Value** 00<sub>H</sub>. This register is cleared by any reset.

7	6	5	4	3	2	1	0
0	0	0	0	LCDC03	LCDC02	LCDC01	LCDC00
R	R	R	R/W	R/W	R/W	R/W	R/W

**Table 23-4 LCDC0 register contents**

Bit Position	Bit Name	Function															
3 to 2	LCDC0[3:2]	Selects the LCD clock <table border="1" data-bbox="544 757 1382 1010"> <thead> <tr> <th>LCDC03</th> <th>LCDC02</th> <th>Selected LCD clock (<math>f_{LCD0}</math>)</th> </tr> </thead> <tbody> <tr> <td>0</td> <td>0</td> <td>LCDCLK</td> </tr> <tr> <td>0</td> <td>1</td> <td>SPCLK7</td> </tr> <tr> <td>1</td> <td>0</td> <td>SPCLK9</td> </tr> <tr> <td>1</td> <td>1</td> <td>reserved</td> </tr> </tbody> </table>	LCDC03	LCDC02	Selected LCD clock ( $f_{LCD0}$ )	0	0	LCDCLK	0	1	SPCLK7	1	0	SPCLK9	1	1	reserved
LCDC03	LCDC02	Selected LCD clock ( $f_{LCD0}$ )															
0	0	LCDCLK															
0	1	SPCLK7															
1	0	SPCLK9															
1	1	reserved															
1 to 0	LCDC0[1:0]	Selects the duty cycle frequency <table border="1" data-bbox="544 1095 1382 1348"> <thead> <tr> <th>LCDC01</th> <th>LCDC00</th> <th>Selected duty cycle frequency (<math>f_{LCD1}</math>)</th> </tr> </thead> <tbody> <tr> <td>0</td> <td>0</td> <td>LCD clock (<math>f_{LCD0}</math>) divided by <math>2^6</math></td> </tr> <tr> <td>0</td> <td>1</td> <td>LCD clock (<math>f_{LCD0}</math>) divided by <math>2^7</math></td> </tr> <tr> <td>1</td> <td>0</td> <td>LCD clock (<math>f_{LCD0}</math>) divided by <math>2^8</math></td> </tr> <tr> <td>1</td> <td>1</td> <td>LCD clock (<math>f_{LCD0}</math>) divided by <math>2^9</math></td> </tr> </tbody> </table>	LCDC01	LCDC00	Selected duty cycle frequency ( $f_{LCD1}$ )	0	0	LCD clock ( $f_{LCD0}$ ) divided by $2^6$	0	1	LCD clock ( $f_{LCD0}$ ) divided by $2^7$	1	0	LCD clock ( $f_{LCD0}$ ) divided by $2^8$	1	1	LCD clock ( $f_{LCD0}$ ) divided by $2^9$
LCDC01	LCDC00	Selected duty cycle frequency ( $f_{LCD1}$ )															
0	0	LCD clock ( $f_{LCD0}$ ) divided by $2^6$															
0	1	LCD clock ( $f_{LCD0}$ ) divided by $2^7$															
1	0	LCD clock ( $f_{LCD0}$ ) divided by $2^8$															
1	1	LCD clock ( $f_{LCD0}$ ) divided by $2^9$															

- Caution**
1. Bit 4 must always be 0.
  2. Changing the root clock source for LCDLCK will also change the Watch Timer clock WTCLK. For details refer to the "TCC - Watch Timer clock control register" on page 163.

**Note** The frequency of LCDCLK is determined in the Clock Generator. The root clock for LCDCLK can be selected from the main, sub, or internal oscillator. It can be identical with the clock source or it can be a fraction thereof.

**Possible frame frequencies** Table 23-5 lists the possible frame frequencies. The values in Table 23-5 are only examples. Check “Clock Generator” on page 139 for details.

Selection of the following LCD clocks is provided:

- LCDC0.LCDC0[3:2] = 00<sub>B</sub>  
LCD clock ( $f_{LCD0}$ ) = LCDCLK =  $f_0 / d$ , with
  - $f_0$  = root clock for LCDCLK  
can be selected from main oscillator ( $f_{MOCLK} = 4$  MHz), sub oscillator ( $f_{SOCLK} = 32.768$  KHz), or internal oscillator ( $f_{ROCLK} \sim 240$  KHz).
  - $d$  = divider  
LCDCLK is gained by dividing the root clock by  $d$ . Divider  $d$  can be selected from  $2^0$  to  $2^7$ .

For details refer to the “TCC - Watch Timer clock control register” on page 163.

- LCDC0.LCDC0[3:2] = 01<sub>B</sub>  
LCD clock ( $f_{LCD0}$ ) = SPCLK7 =  $SPCLK0 / 2^7 = 125$  KHz
- LCDC0.LCDC0[3:2] = 10<sub>B</sub>  
LCD clock ( $f_{LCD0}$ ) = SPCLK9 =  $SPCLK0 / 2^9 = 31.25$  KHz

Table 23-5 Example settings for frame frequency and duty cycle

LCDC03	LCDC02	LCDC01	LCDC00	LCD clock ( $f_{LCD0}$ ) <sup>a</sup>	Duty cycle frequency ( $f_{LCD1}$ )	Frame frequency
0	1	0	1	SPCLK7 = 125 KHz	977 Hz	244 Hz
0	1	1	0		488 Hz	122 Hz
0	1	1	1		244 Hz	61 Hz
1	0	0	0	SPCLK9 = 31.25 KHz	488 Hz	122 Hz
1	0	0	1		244 Hz	61 Hz
0	0	0	0	LCDCLK = 32.768 KHz (with $f_0 = f_{SOCLK}$ and $d = 2^0$ )	512 Hz	128 Hz
0	0	0	1		256 Hz	64 Hz
0	0	0	1	LCDCLK ~ 120 KHz (with $f_0 = f_{ROCLK}$ and $d = 2^1$ )	~938 Hz	~234 Hz
0	0	1	0		~469 Hz	~117 Hz

<sup>a)</sup> The frequency of the LCD clock ( $f_{LCD0}$ ) is determined by the setting of the Clock Generator. For details refer to the “Clock Generator” on page 139.

**(2) LCDM0 - LCD mode control register**

The 8-bit LCDM0 register enables/disables the LCD operation, activates edge enhancement and selects the power supply.

**Access** This register can be read/written in 8-bit or 1-bit units.

**Address** FFFF FB01<sub>H</sub>

**Initial Value** 00<sub>H</sub>. This register is cleared by any reset.

7	6	5	4	3	2	1	0
LCDON0	0	0	LIPS0	0	0	0	0
R/W	R/W	R/W	R/W	R/W	R/W	R/W	R/W

**Table 23-6 LCDM0 register contents**

Bit position	Bit name	Function
7	LCDON0	Enables/disables LCD display 0: Display disabled No segment of the display is visible. The contents of the SEGREG0k registers are disregarded. The output is at non-selection level. 1: Display enabled
4	LIPS0	Selects the power supply 0: LCD Controller/Driver is not powered 1: LCD Controller/Driver is powered

**Caution** Bits 0, 1, 2, 3, 5, 6 must always be 0.

**(3) SEGREG0k - LCD display control register (k = 0 to 39)**

The 8-bit registers contain the data that is displayed on the LCD. Each register contains the data for one of the 40 segments.

**Access** These registers can be read/written in 8-bit or 1-bit units.

**Address** FFFF FB20<sub>H</sub> to FFFF FB47<sub>H</sub>

**Initial Value** 00<sub>H</sub>. This register is cleared by any reset.

7	6	5	4	3	2	1	0
0	0	0	0	DATA			
R/W							

**Table 23-7 SEGREG0k register contents (k = 0 to 39)**

Bit position	Bit name	Function
3 to 0	SEGREG0k[3:0]	Status of the LCD segment that is controlled by segment signal k and the common signal, that corresponds to the bit position. 0: Display off 1: Display on, if corresponding common signal is active

The bits 4 to 7 are ignored. They should be set to zero.

## 23.3 Operation

The following describes the timing of common and segment signals, the activation of an LCD segment and how edge enhancement can be applied.

### 23.3.1 Common signals and segment signals

This section describes the timing of common signals and segment signals and at which conditions an individual LCD segment becomes visible.

#### (1) Common Signals

Common signals COM0 to COM3 are generated internally. Together with the segment signals, they define which LCD segment is activated in the current cycle.

Figure 23-3 shows the common signal wave form for COM0, 1/4 duty (1/3 bias). 1/4 duty means each signal COMn is in selection level for one quarter of a frame.

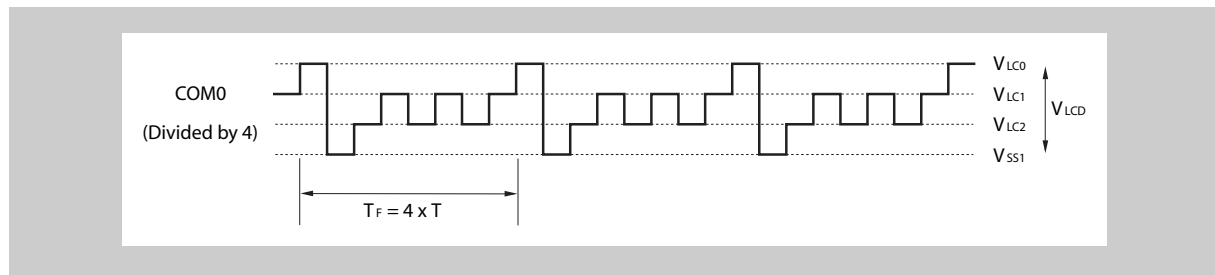


Figure 23-3 Common signal wave form (1/4 duty, 1/3 bias)

- $T_F$  = frame cycle time.  
 $T_F = 4 \times T$   
 $T$  corresponds to the duty cycle frequency  $f_{LCD1}$  and is thus determined by register LCDC.
- $T$  = duty cycle time.  
 Each frame cycle  $T_F$  is comprised of 4 duty cycles (1/4 duty), one duty cycle for each common signal COMn.

Each LCD segment is allocated to one of the common signals. The LCD segment can only be activated in a duty cycle, in which the common signal is at selection level.

Figure 23-4 shows the selection and non-selection level of common signals.

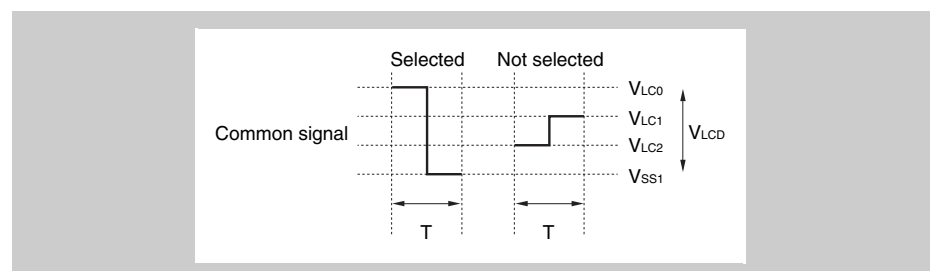


Figure 23-4 Selection level and non-selection level of common signals

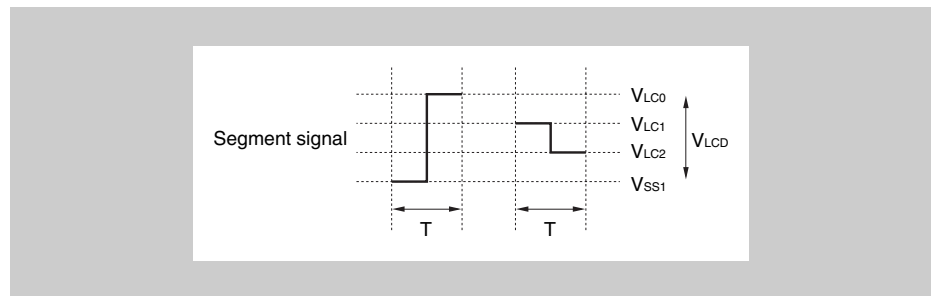
$T$  = duty cycle time.

**(2) Segment Signals**

Segment signals correspond to the contents of the 40 LCD display control registers SEGREG0k. Bits 0 to 3 of these registers are read in synchronization with the common signals COM0 to COM3, this means bit 0 is read in synchronization with common signal COM0 and so on.

- If the value of the bit is 1 while the common signal is at selection level, the corresponding segment signal is set to selection level.
- If the value of the bit is 0 while the common signal is at selection level, the corresponding segment signal is set to non-selection level.

Figure 23-5 shows the selection and non-selection level of segment signals.



**Figure 23-5 Selection level and non-selection level of segment signals**

T = duty cycle time.

The table below shows the relation of the bits in registers SEGREG0k (k = 0 to 39) with common signals COM0 to COM3 and segment output signals SEG00 to SEG39.

	7	6	5	4	3	2	1	0	
SEGREG00 0									→ SEG0
SEGREG00 1									→ SEG1
SEGREG00 2									→ SEG2
•				•					•
•				•					•
•				•					•
SEGREG03 8									→ SEG38
SEGREG03 9									→ SEG39
					↑	↑	↑	↑	
					COM3	COM2	COM1	COM0	

Each of the bits 0 to 4 represents the status of one LCD segment. Setting the bit to 1 will make the LCD segment visible.

For example, setting bit SEGREG02[3] to 1 will make the LCD segment visible, that is controlled by the signal pair SEG2 and COM3.

### 23.3.2 Activation of LCD segments

An LCD segment becomes visible when the potential difference of the corresponding common signal and segment signal reaches or exceeds the LCD drive voltage  $V_{LCD}$ . This is achieved if common and segment signal are at their selection levels.

Within one frame cycle  $T_F$ , each LCD segment can be activated once. Activation lasts for one duty cycle  $T$ . LCD segments corresponding to common signals COM0 to COM3 are not activated simultaneously, but consecutively.

## 23.4 Display Example

As a display example, register contents and output signals for a 20-digit LCD display are presented in this section.

### (1) LCD panel

The display pattern of a single digit is given below. Each digit is addressed by two segment signals and four common signals.

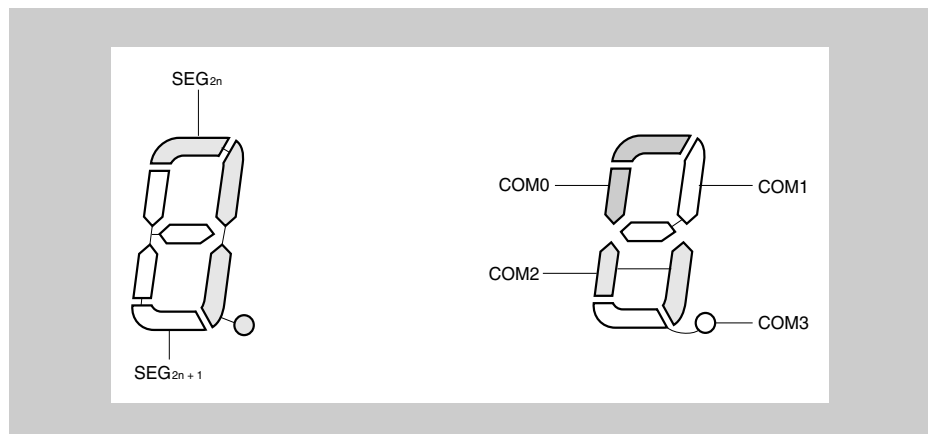


Figure 23-6 4-time-division LCD pattern and electrode connections

Figure 23-7 on page 908 shows the whole LCD panel and its connection to the segment signals and common signals. The display example is “123456.78901234567890,” and the register contents of SEGREG0k ( $k = 0$  to 39) correspond to this.

An explanation is given here taking the example of the 6th digit with point: “6.”. The corresponding segment signals are output to pins SEG28 and SEG29 with the selection levels at the COM0 to COM3 common signal timings as shown in the table below:

Table 23-8 Selection and non-selection levels of example

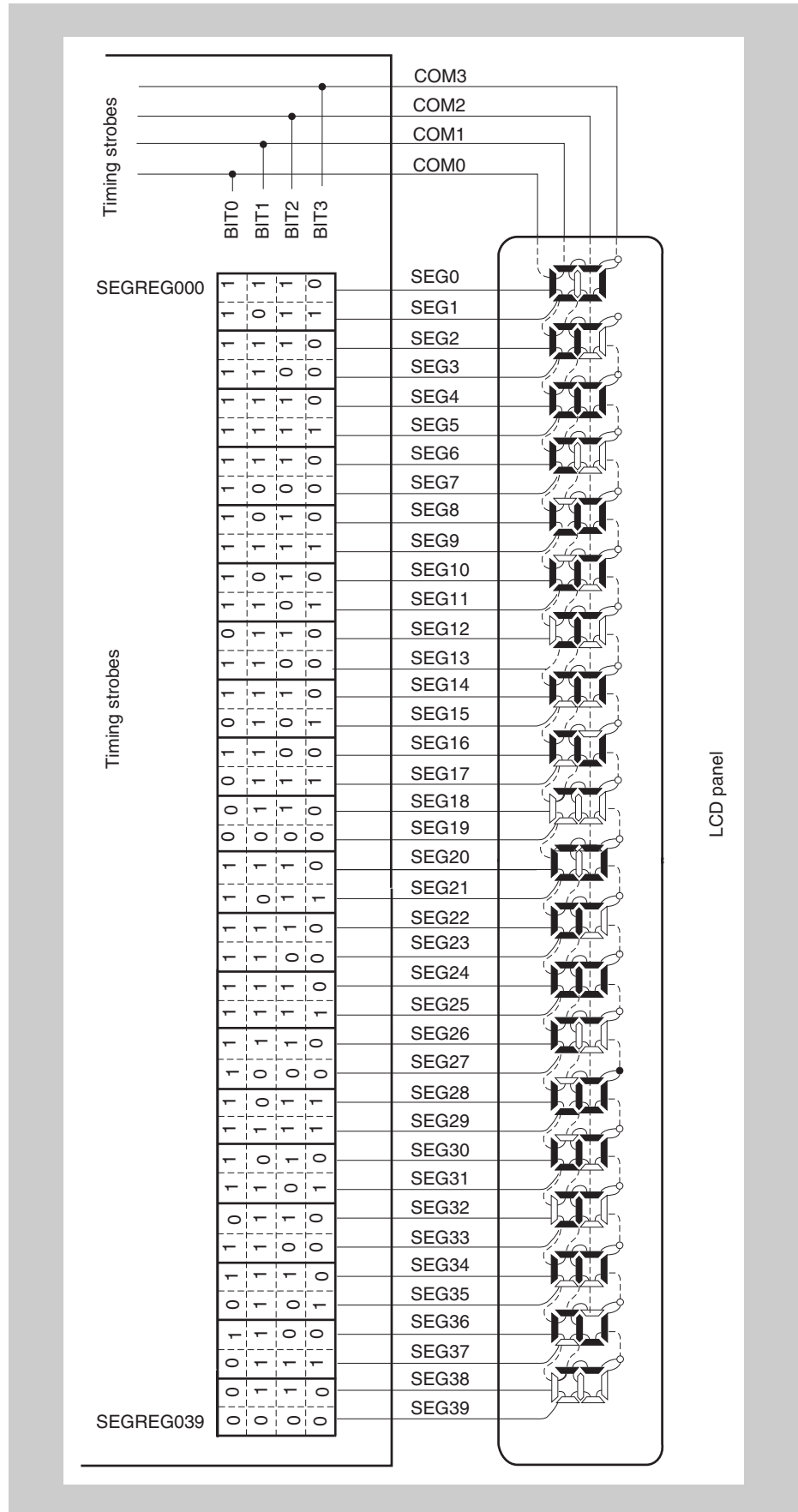
Common signal	Segment signal SEG28	Segment signal SEG29
COM0	selected	selected
COM1	not selected	selected
COM2	selected	selected
COM3	selected	selected



From this, it can be seen that  $1101_B$  must be prepared in the display control register SEGREG028 and  $1111_B$  must be prepared in SEGREG029.

Examples of the LCD drive waveforms between SEG28 and the COM0 and COM1 signals are shown in *Figure 23-8 on page 909* (for the sake of simplicity, waveforms for COM2 and COM3 have been omitted).

When SEG28 is at the selection level at the COM0 selection timing, it can be seen that the  $+V_{LCD}/-V_{LCD}$  AC square wave, which is the LCD illumination (ON) level, is generated.



www.DataSheet4U.com

Figure 23-7 4-time-division LCD panel connection example

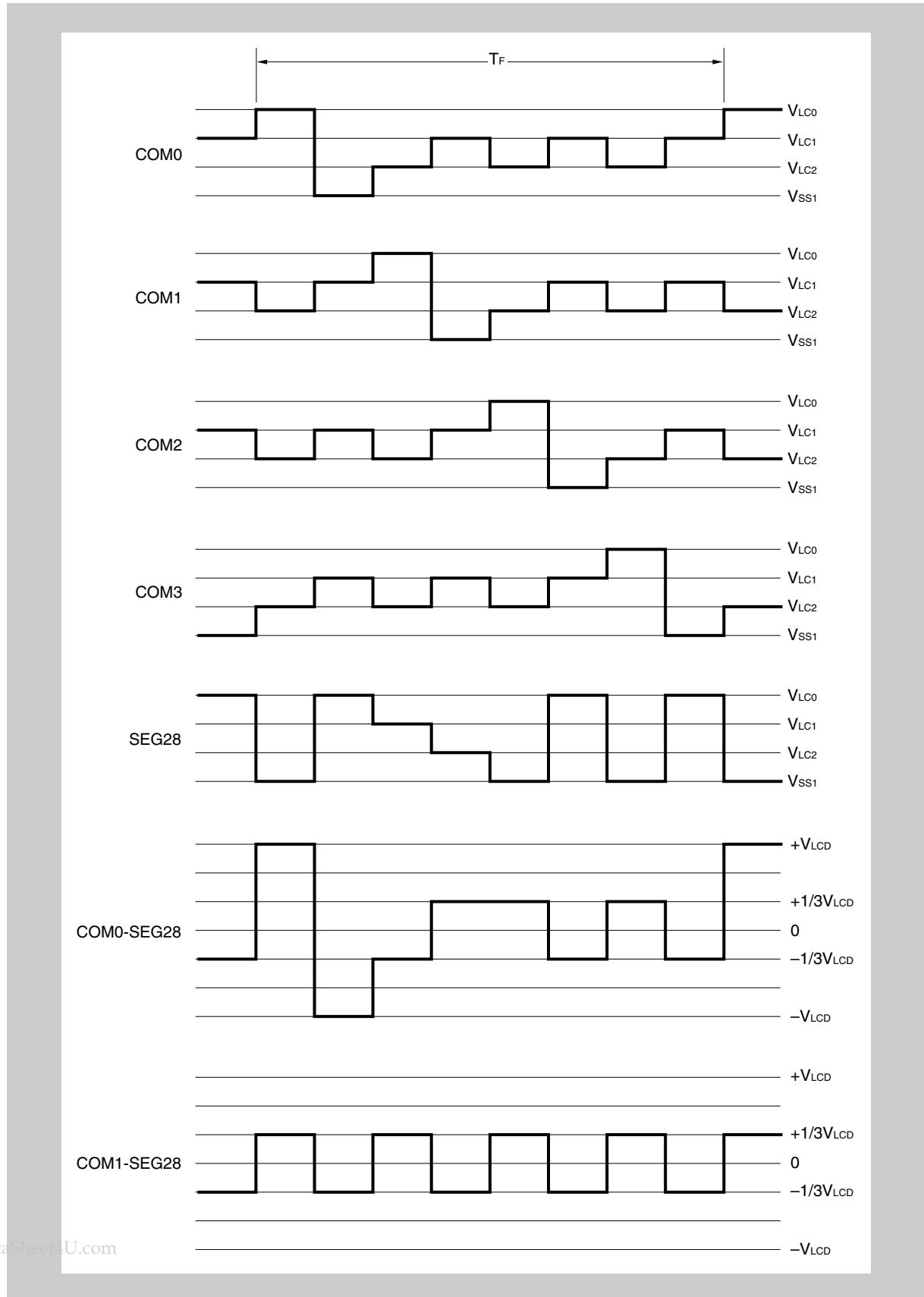


Figure 23-8 4-time-division LCD drive waveforms – examples



## Chapter 24 LCD Bus Interface (LCD-I/F)

The LCD Bus Interface connects the internal peripheral bus to an external LCD controller. It provides an asynchronous 8-bit parallel data bus and two control lines.

The LCD Bus Interface supports bidirectional communication. You can send data to and query data from the LCD controller.

Only the  $\mu$ PD70F3424,  $\mu$ PD70F3425,  $\mu$ PD70F3426A and  $\mu$ PD70F3427 microcontrollers are provided with the LCD Bus Interface.

### 24.1 Overview

The LCD Bus Interface transmits or receives data bytes. Two control lines specify the read/write timing and the transfer direction.

The LCD Bus Interface suits LCD controllers that feature automatic generation of display memory addresses. The interface does not generate or interpret specific signals that may be required by the LCD controller, like address, chip select, hold, and so on. If necessary, such signals can be provided by general purpose I/Os.

**Features summary** The LCD Bus Interface provides:

- Support of two different control signals modes:
  - mod80 with separate read and write strobe
  - mod68 with read/write signal and data strobe “E” with selectable level
- DMA for read and write operations
- 8/16/32-bit write and read operations
- Programmable transfer speed (100 KHz ... 3.2 MHz) through
  - selectable clock input
  - programmable transfer time
  - programmable wait states
- Interrupt generation selectable upon two events
  - internal data transfer allowed
  - external bus access completed
- Flags that indicate the status of the data register and the progress of data transfer to or from the LCD controller

- Note**
1. The programmer has to make sure that the timing requirements of the external LCD controller are met.
  2. For electrical characteristics please refer to the Data Sheet.
  3. If the concerned pins are configured as LCD Bus Interface pins change between input and output is performed automatically by LCD Bus Interface read and write operations. Refer also to "Port group 9" on page 86.

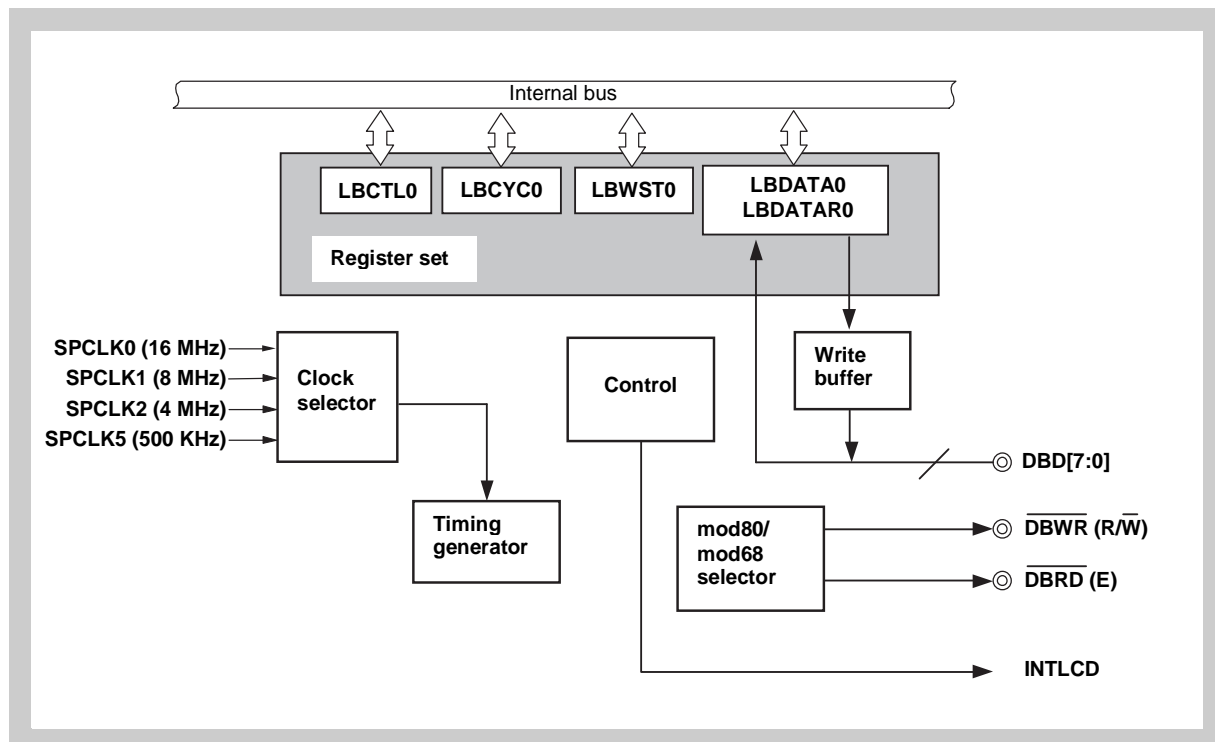
### 24.1.1 Description

Data can be read from and written to the LCD Bus Interface by either involving the DMA Controller or by directly accessing the interface from the CPU. The timing of the external bus signals is determined by register settings (WST and CYC).

The LCD Bus Interface is 8 bits wide. In order to improve performance, the interface is equipped with a 32-bit register that allows the CPU or DMA to access the data register with 8-, 16-, or 32-bit data accesses. The interface automatically generates 1, 2, or 4 consecutive (8-bit) accesses on the external bus.

The LCD Bus Interface has an internal 32-bit write buffer that allows the next data to be written to the data register (LBDATA0) while a transfer on the external bus interface is in progress.

The following figure shows the main components of the LCD Bus Interface.



**Figure 24-1** LCD Bus Interface block diagram

As shown in the figure, the result of a read operation is directly available in the LBDATA0 and LBDATAR0 registers. For data output, the contents of the LBDATA0 register is copied to the 32-bit write buffer.

The external signals are listed in the following table.

Table 24-1 LCD Bus Interface external connections

Signal name	I/O	Active level	Reset level	Function
$\overline{\text{DBWR}}$	O	L	H	mod80: Write strobe ( $\overline{\text{WR}}$ ) mod68: Read/Write (R/ $\overline{\text{W}}$ )
$\overline{\text{DBRD}}$	O	L <sup>a</sup>	H	mod80: Read strobe ( $\overline{\text{RD}}$ ) mod68: E strobe (E)
DBD[7:0]	I/O		L	LCD data bus

a) The active level of E in mod68 is controlled by the bit LBCTL0.EL0.

## 24.1.2 LCD Bus Interface access modes

The LCD Bus Interface can access the external LCD Controller/Driver in two different modes. The mode is selected by the bit LBCTL0.IMD.

- mod80  
The control signals  $\overline{\text{WR}}$  ( $\overline{\text{DBWR}}$ ) and  $\overline{\text{RD}}$  ( $\overline{\text{DBRD}}$ ) are used to control the external LCD Controller/Driver.
- mod68  
The control signals R/ $\overline{\text{W}}$  ( $\overline{\text{DBWR}}$ ) and E ( $\overline{\text{DBRD}}$ ) are used to control the external component.  
The level of E depends on the setting of the bit LBCTL0.EL0:
  - EL0=0: E is active high; data is read/written on the falling edge.
  - EL0=1: E is active low; data is read/written on the rising edge.

## 24.1.3 Access types to the LBDATA0 register

Access to the LBDATA0 register can be performed as:

- Byte access (8-bit)
- Halfword access (16-bit)
- Word access (32-bit)

- Note**
1. Every access must address the base address of the LBDATA0 register. Access to the individual bytes within the register is prohibited.
  2. Before writing to or reading from the LBDATA0 register or reading the LBDATAR0 register, always make sure that the busy flag LBCTL0.BYF is zero.

### (1) Write operation

If there is no transfer in progress on the external bus interface, the new data is immediately transferred to the external LCD controller. If there is a transfer in progress, the new data is transferred after the current transfer has completed.

One, two or four bytes are transferred through the bus interface, depending on how LBDATA0 was accessed (byte, halfword, or word).

The write timing on the external bus interface is determined by the number of wait cycles (LBWST0.WST[4:0]), the cycle time (LBCYC0.CYC[5:0]) and the selected clock (LBCTL0.LBC00 and LBCTL0.LBC01).

**(2) Read operation**

When the CPU or the DMA reads the LBDATA0 register, the read operation on the LCD Bus Interface is started. If there is a write transfer in progress while the LBDATA0 register shall be read, the read transfer is stalled and started after the write transfer has completed.

The value read from the register is the data from the *previous* transfer. Therefore, an initial dummy read operation is required to update the register.

As soon as the data of the actual transfer is available in the LBDATA0 register, the busy flag LBCTL0.BYF0 is cleared and the data can be retrieved with the next read operation. Successive reads from the LBDATA0 register provide the desired data.

The read timing on the external bus interface is determined by the number of wait cycles (LBWST0.WST0[4:0]), the cycle time (LBCYC0.CYC0[5:0]) and the selected clock (LBCTL0.LBC0 and LBCTL00.LBC01).

**(3) Read operation without initiating a bus transfer**

Data can be read from the LBDATAR0 register without initiating a new read transfer via the LCD Bus Interface.

The read access to the LBDATAR0 register is useful when previous read accesses to the LBDATA0 register have been performed and only the last transferred data shall be read without starting a new LCD bus transfer.

**24.1.4 Interrupt generation**

An interrupt is generated on write and read accesses to the LCD Bus Interface. Depending on the setting of the bit LBCTL0.TCIS0, the interrupt is generated differently.

**Table 24-2 Controlling interrupt generation of the LCD Bus Interface**

Access	TCIS0 = 0	TCIS0 = 1
Write	An interrupt is generated as soon as data is transferred from LBDATA0 to the write buffer. Then LBDATA0 is ready to accept next data. The write buffer is filled whenever the external bus interface is idle (no transfer in progress) and data is available in LBDATA0.	An interrupt is generated as soon as the write transfer via the bus interface has completed. The transfer can consist of 1, 2, or 4 bytes dependent on the access to LBDATA0.
Read	An interrupt is generated as soon as the data is available in the LBDATA0 or LBDATAR0 register. Depending on the read access to LBDATA0 (byte, halfword or word) 1, 2, or 4 bytes are transferred and placed in the LBDATA0 and LBDATAR0 register. Finally, the interrupt is generated in order to indicate that new data is available.	An interrupt is generated as soon as the read transfer via the bus interface has completed. The transfer can consist of 1, 2, or 4 bytes depending on the access to LBDATA0 or LBDATAR0.



## 24.2 LCD Bus Interface Registers

The LCD Bus Interface is controlled and operated by means of the following registers:

Table 24-3 LCD Bus Interface registers overview

Register name	Shortcut	Address
LCD Bus Interface control register	LBCTL0	FFFF FB60 <sub>H</sub>
LCD Bus Interface cycle time register	LBCYC0	FFFF FB61 <sub>H</sub>
LCD Bus Interface wait states register	LBWST0	FFFF FB62 <sub>H</sub>
LCD Bus Interface data register	LBDATA0W	FFFF FB70 <sub>H</sub>
	LBDATA0	
	LBDATA0L	
LCD Bus Interface data (read) register	LBDATAR0W	FFFF FB74 <sub>H</sub>
	LBDATAR0	
	LBDATAR0L	

**(1) LBCTL0 - LCD Bus Interface control register**

The 8-bit LBCTL0 register controls the operation of the LCD Bus Interface.

**Access** This register can be read/written in 8-bit or 1-bit units.

**Address** FFFF FB60<sub>H</sub>

**Initial Value** 00<sub>H</sub>. This register is cleared by any reset.

7	6	5	4	3	2	1	0
EL0	IMD0	LBC01	LBC00	TCIS0	0	TPF0	BYF0
R/W	R/W	R/W	R/W	R/W	R	R	R

**Table 24-4 LBCTL0 register contents**

Bit position	Bit name	Function															
7	EL0	Level of signal "E" in mod68 mode 0: E is active high; data is read/written on the falling edge. 1: E is active low, data is read/written on the rising edge.															
6	IMD0	Mode of external bus interface access 0: mod80 mode - control signals are $\overline{WR}$ and $\overline{RD}$ 1: mod68 mode - control signals are E and $\overline{R/W}$															
5 to 4	LBC0[1:0]	Selects the internal clock <table border="1" style="margin-left: 20px;"> <thead> <tr> <th>LBC01</th> <th>LBC00</th> <th>Selected clock</th> </tr> </thead> <tbody> <tr> <td>0</td> <td>0</td> <td>SPCLK0</td> </tr> <tr> <td>0</td> <td>1</td> <td>SPCLK1</td> </tr> <tr> <td>1</td> <td>0</td> <td>SPCLK2</td> </tr> <tr> <td>1</td> <td>1</td> <td>SPCLK5</td> </tr> </tbody> </table>	LBC01	LBC00	Selected clock	0	0	SPCLK0	0	1	SPCLK1	1	0	SPCLK2	1	1	SPCLK5
LBC01	LBC00	Selected clock															
0	0	SPCLK0															
0	1	SPCLK1															
1	0	SPCLK2															
1	1	SPCLK5															
3	TCIS0	Select interrupt generation 0: During write access to the bus interface, an interrupt is generated as soon as data is transferred from LBDATA0 to the write buffer. During read access from the bus interface, an interrupt is generated as soon as data is available in the LBDATA0 and LBDATAR0 registers. That means the interrupt is generated when the "data register busy" flag BYF0 is reset to 0. 1: An interrupt is generated as soon as the read or write transfer via the bus interface has completed. That means the interrupt is generated when the "transfer in progress" flag TPF0 is reset to 0. As for read operations, in both cases the data is available in the data register LBDATA(R)0 when the interrupt is generated.															
1	TPF0	Transfer in progress on external bus interface 0: The external bus interface is idle 1: Data is transferred on the external bus interface															
0	BYF0	Data register busy 0: Data can be read or written from/to LBDATA0 Data can be read from LBDATAR0 1: Register LBDATA0 (LBDATAR0) is busy															

**(2) LBCYC0 - LCD Bus Interface cycle time register**

The 8-bit LBCYC0 register determines the cycle time of the LCD Bus Interface. The cycle time is the duration of one bus access for transferring one byte.

**Access** This register can be read/written in 8-bit or 1-bit units.

**Address** FFFF FB61<sub>H</sub>

**Initial Value** 02<sub>H</sub>. This register is initialized by any reset.

7	6	5	4	3	2	1	0
0	0	CYC05	CYC04	CYC03	CYC02	CYC01	CYC00
R	R	R/W	R/W	R/W	R/W	R/W	R/W

**Table 24-5 LBCYC0 register contents**

Bit position	Bit name	Function														
5 to 0	CYC0[5:0]	Sets the cycle time of the LCD Bus Interface. <table border="1" style="margin-left: 20px;"> <thead> <tr> <th>CYC0[5:0]</th> <th>Cycle time</th> </tr> </thead> <tbody> <tr> <td>000000<sub>B</sub></td> <td>Setting prohibited</td> </tr> <tr> <td>000001<sub>B</sub></td> <td>Setting prohibited</td> </tr> <tr> <td>000010<sub>B</sub></td> <td>Cycle time is 2*T</td> </tr> <tr> <td>000011<sub>B</sub></td> <td>Cycle time is 3*T</td> </tr> <tr> <td>...</td> <td>...</td> </tr> <tr> <td>111111<sub>B</sub></td> <td>Cycle time is 63*T</td> </tr> </tbody> </table>	CYC0[5:0]	Cycle time	000000 <sub>B</sub>	Setting prohibited	000001 <sub>B</sub>	Setting prohibited	000010 <sub>B</sub>	Cycle time is 2*T	000011 <sub>B</sub>	Cycle time is 3*T	...	...	111111 <sub>B</sub>	Cycle time is 63*T
CYC0[5:0]	Cycle time															
000000 <sub>B</sub>	Setting prohibited															
000001 <sub>B</sub>	Setting prohibited															
000010 <sub>B</sub>	Cycle time is 2*T															
000011 <sub>B</sub>	Cycle time is 3*T															
...	...															
111111 <sub>B</sub>	Cycle time is 63*T															

- Note**
1. T is the clock period of the selected SPCLK.
  2. Always keep LBCYC0 ≥ 2.

**(3) LBWST0 - LCD Bus Interface wait state register**

The 8-bit LBWST0 register determines the number of wait states of the LCD Bus Interface. The number of wait states defines the duration of the DBWR and DBRD signals. This duration must remain below the cycle time.

**Access** This register can be read/written in 8-bit or 1-bit units.

**Address** FFFF FB62<sub>H</sub>

**Initial Value** 00<sub>H</sub>. This register is cleared by any reset.

7	6	5	4	3	2	1	0
0	0	0	WST04	WST03	WST02	WST01	WST00
R	R	R	R/W	R/W	R/W	R/W	R/W

**Table 24-6 LBWST0 register contents**

Bit position	Bit name	Function														
4 to 0	WST0[4:0]	Sets the number of wait states of the LCD Bus Interface. <table border="1" style="margin-left: 20px;"> <thead> <tr> <th>WST0[4:0]</th> <th>Wait states</th> </tr> </thead> <tbody> <tr> <td>0000<sub>b</sub></td> <td>No wait state inserted</td> </tr> <tr> <td>00001<sub>b</sub></td> <td>1 wait state</td> </tr> <tr> <td>00010<sub>b</sub></td> <td>2 wait states</td> </tr> <tr> <td>00011<sub>b</sub></td> <td>3 wait states</td> </tr> <tr> <td>...</td> <td>...</td> </tr> <tr> <td>11111<sub>b</sub></td> <td>31 wait states</td> </tr> </tbody> </table>	WST0[4:0]	Wait states	0000 <sub>b</sub>	No wait state inserted	00001 <sub>b</sub>	1 wait state	00010 <sub>b</sub>	2 wait states	00011 <sub>b</sub>	3 wait states	...	...	11111 <sub>b</sub>	31 wait states
WST0[4:0]	Wait states															
0000 <sub>b</sub>	No wait state inserted															
00001 <sub>b</sub>	1 wait state															
00010 <sub>b</sub>	2 wait states															
00011 <sub>b</sub>	3 wait states															
...	...															
11111 <sub>b</sub>	31 wait states															

**Note** Always keep  $LBWST0.WST0 \leq LBCYC0.CYC0 - 2$ .

**(4) LBDATA0 - LCD Bus Interface data register**

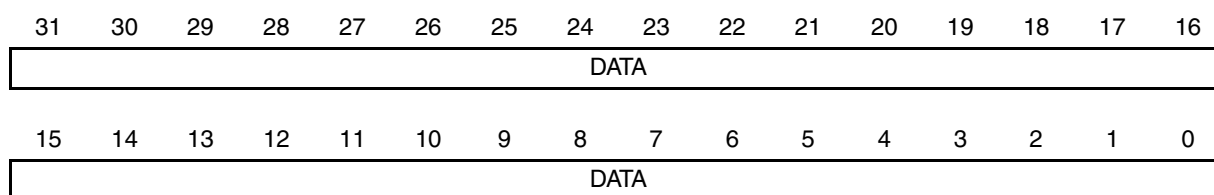
The 32-bit LBDATA0 register contains the data that is transferred via the LCD Bus Interface.

**Access** This register can be read/written in 3 different units under following names:

- LBDATA0W: 32-bit access
- LBDATA0: 16-bit access
- LBDATA0L: 8-bit access

**Address** FFFF FB70<sub>H</sub>

**Initial Value** 0000 0000<sub>H</sub>. This register is cleared by any reset.



**Table 24-7 LBDATA0W register contents**

Bit Position	Bit Name	Function
31 to 0	DATA[31:0]	Data that is written to or read from the LCD Bus Interface

**Table 24-8 LBDATA0 register contents**

Bit Position	Bit Name	Function
15 to 0	DATA[15:0]	Data that is written to or read from the LCD Bus Interface

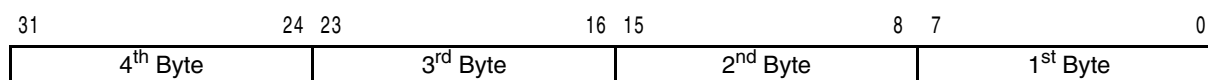
**Table 24-9 LBDATA0L register contents**

Bit Position	Bit Name	Function
7 to 0	DATA[7:0]	Data that is written to or read from the LCD Bus Interface

**Access types** Depending on the access to this register (byte, halfword or word), a defined number of transfers via the external bus interface are performed:

- **Byte:**  
The byte is transferred via the bus interface.
- **Halfword:**  
The halfword is split into 2 bytes that are transferred consecutively via the bus interface.
- **Word:**  
The word is split into 4 bytes that are transferred consecutively via the bus interface.

When the data is split into bytes and transferred consecutively, the byte order is as follows:



**Write to this register** A write operation to this register sets the busy flag LBCTL0.BYF0 immediately. If there is no LCD bus transfer in progress (LBCTL0.TPF0 = 0), the data is copied to the write buffer and LBCTL0.BYF0 is cleared.

If there is a transfer going on (LBCTL0.TPF0 = 1), the data is not copied to the write buffer until the transfer has completed. As soon as the transfer is complete, the data is copied to the write buffer and LBCTL0.BYF0 is cleared.

A transfer via the LCD Bus Interface starts as soon as the LBDATA0 register is copied to the write buffer. This is indicated by the interrupt INTLCD that becomes active, provided that LBCTL0.TCIS0 = 0.

**Read from this register** A read operation from this register initiates a read transfer via the LCD Bus Interface. The data that is read from the register is always the data that was received during the previous transfer from the LCD Bus Interface.

- Note**
1. Every access must address the base address of the LBDATA0 register. Access to the individual bytes within the register is prohibited.
  2. LBCTL0.BYF0 must be zero when accessing this register.

**(5) LBDATAR0 - LCD Bus Interface data register**

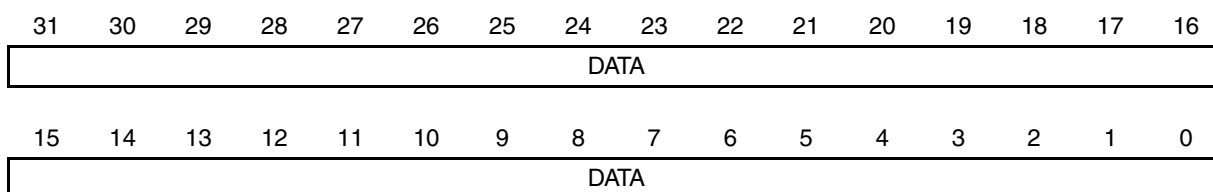
The LBDATAR0 register is read-only. It contains the data of the last previous read transfer via the LCD Bus Interface. Reading this register does not start a new read transfer on the LCD Bus Interface.

**Access** This register can be read/written in 3 different units under following names:

- LBDATAR0W: 32-bit access
- LBDATAR0: 16-bit access
- LBDATAR0L: 8-bit access

**Address** FFFF FB74<sub>H</sub>

**Initial Value** 0000 0000<sub>H</sub>. This register is cleared by any reset.



**Table 24-10 LBDATAR0W register contents**

Bit position	Bit name	Function
31 to 0	DATA[31:0]	Data that was previously read from the LCD Bus Interface

**Table 24-11 LBDATAR0 register contents**

Bit Position	Bit Name	Function
15 to 0	DATA[15:0]	Data that was previously read from the LCD Bus Interface

**Table 24-12 LBDATAR0L register contents**

Bit Position	Bit Name	Function
7 to 0	DATA[7:0]	Data that was previously read from the LCD Bus Interface

This register can be read to obtain data that was transferred during a previous read operation to the LBDATA0 register—without initiating a further LCD bus transfer.

Reading the LBDATAR0 register does not change the status of the LBCTL0.BYF0 and LBCTL0.TPF0 flags.

## 24.3 Timing

This section starts with the general timing and then presents examples of consecutive write and read operations.

### 24.3.1 Timing dependencies

The following figure shows the general timing when the mod80 mode is used.

It illustrates the effect of the LBCYC0 and LBWST0 register settings. It explains also the impact of LBCTL0.TCIS on the interrupt generation.

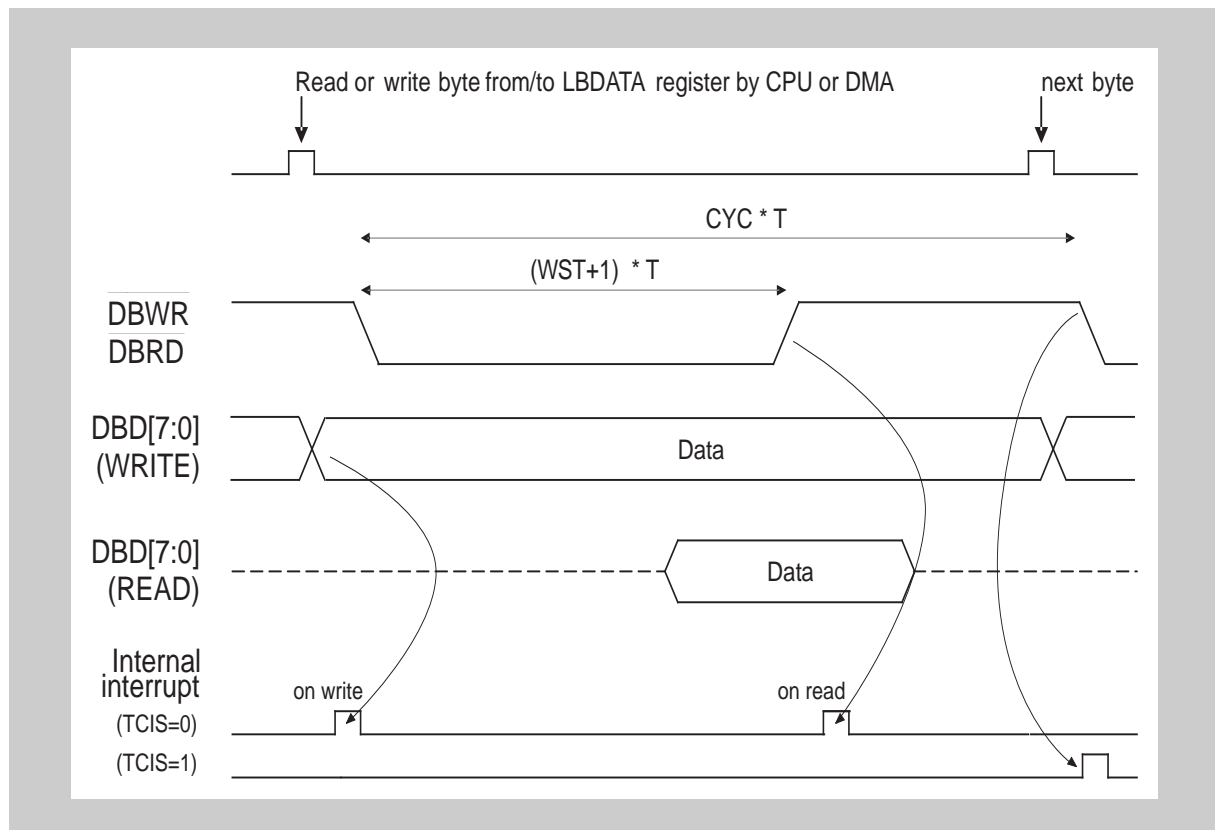


Figure 24-2 LCD Bus Interface timing (mod80 mode)

In mod80 mode,  $\overline{DBWR}$  provides the write strobe  $\overline{WR}$  and  $\overline{DBRD}$  the read strobe  $\overline{RD}$ .

- Note**
1.  $T$  is the clock period of the selected SPCLK.
  2.  $CYC$  is the chosen number of clock cycles (LBCYC0.CYC0). Always keep  $LBCYC0.CYC0 \geq 2$ .
  3.  $WST$  is the chosen number of wait states (LBWST0). Always keep  $LBWST0.SWST0 \leq (LBCYC0.CYC0 - 2)$ .

The only difference in mod68 mode is, that  $\overline{DBWR}$  provides the read/write  $R/\overline{W}$  strobe and  $\overline{DBRD}$  the E strobe. The active edge of the E strobe is defined by LBCTL0.ELO.



### 24.3.2 LCD Bus I/F states during and after accesses

Changing between input and output mode of the LCD bus pins DB[7:0] is done automatically after they are configured as LCD Bus Interface pins via the port configuration registers.

After the pins are configured as DB[7:0] they are operating in input mode.

During and after a bus read access DB[7:0] are operating in input mode and retain this mode also after the read access is completed.

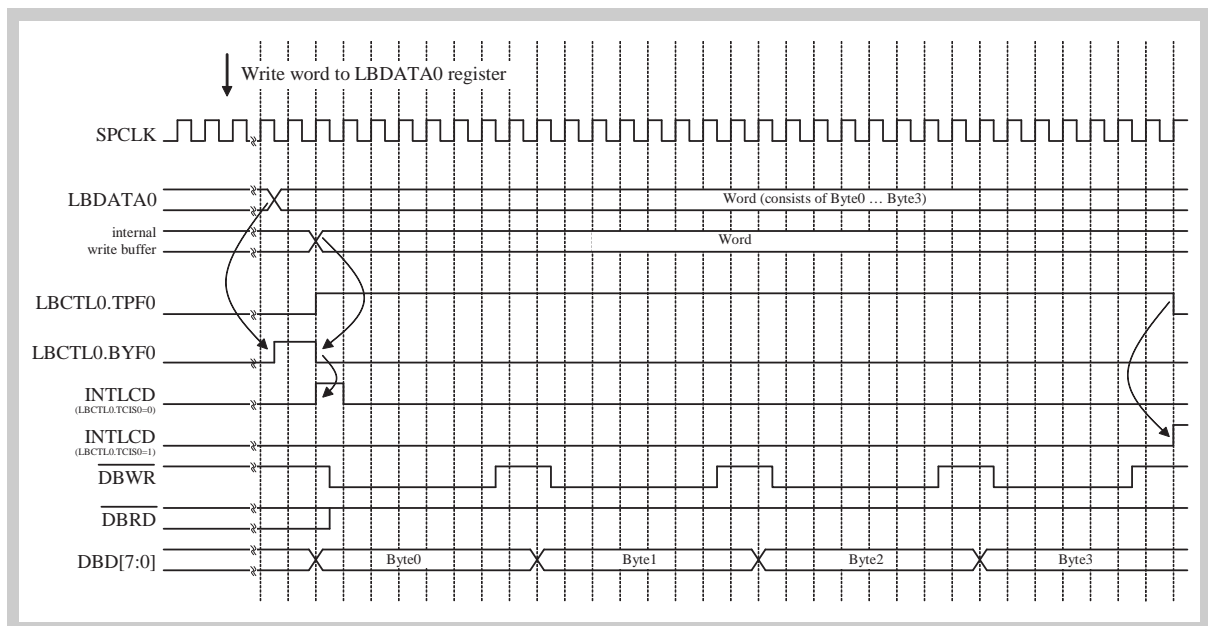
During and after a bus write access DB[7:0] are operating in output mode and retain this mode also after the write access is completed.

### 24.3.3 Writing to the LCD bus

This section shows typical sequences of writing words, halfwords and bytes to the LCD bus.

#### (1) Writing words

Writing a word transmits four bytes to the external LCD Controller/Driver.



**Figure 24-3** Timing (mod80: LBTCTL0.IMD0 = 0): write word, LBWST0.WST0 = 5, LBCYC0.CYC0 = 8, LBCTL0.TCIS0 = 0

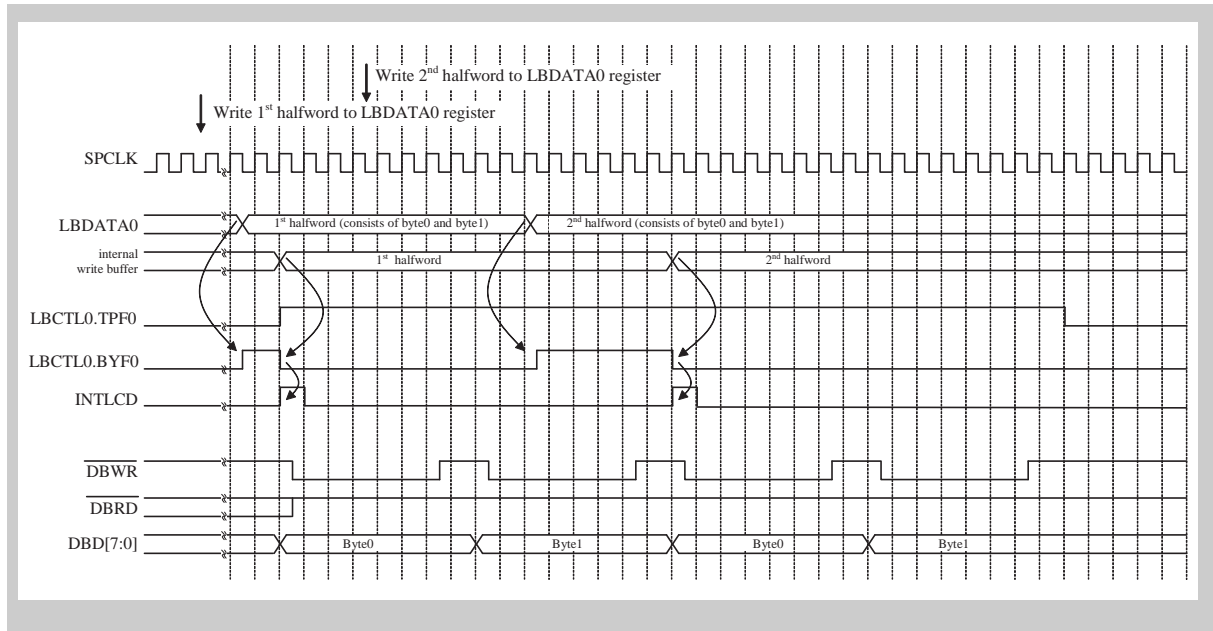
**Note** The timing diagrams are for functional explanation purposes only without any relevance to the real hardware implementation.

- Sequence**
1. A word of LCD data is written to the LBDATA0 register. The internal bus transfer takes some clocks until the register is updated. Then the busy flag LBCTL0.BYF0 is set until the data is copied to the write buffer.
  2. The LBDATA0 register contents is copied to the write buffer. This clears LBCTL0.BYF0 and causes the interrupt output to become active for one clock cycle. Transfer on the external bus interface starts with byte 0. The “transfer in progress” flag LBCTL0.TPF0 is set to indicate that a transfer is in progress.

- All four bytes of the word are transferred back-to-back via the external bus interface.
- After the transfer on the external bus interface has been completed, the LBCTL0.TPF0 is cleared.

## (2) Writing halfwords

Writing a halfword transmits two bytes to the external LCD Controller/Driver.



**Figure 24-4** Timing (mod80: LBTCTL0.IMD0 = 0): write consecutive halfwords, LBWST0.WST0 = 5, LBCYC0.CYC0 = 8, LBCTL0.TCIS0 = 0

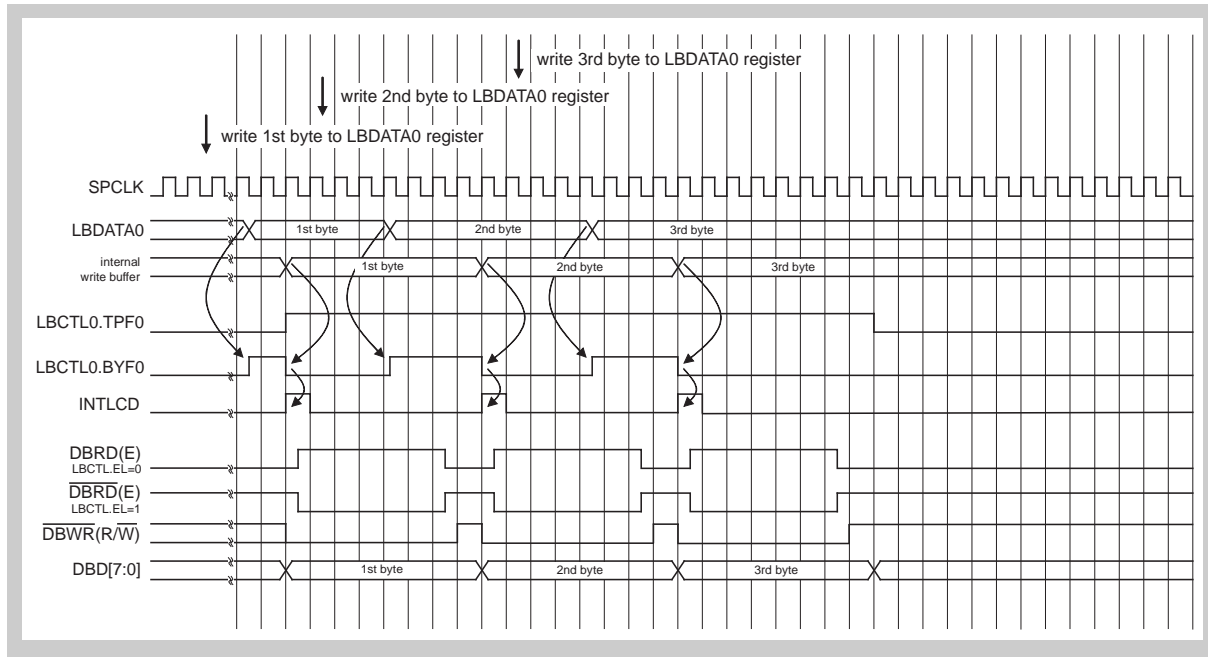
**Note** The timing diagrams are for functional explanation purposes only without any relevance to the real hardware implementation.

- Sequence**
- The first halfword of LCD data is written to the LBDATA0 register. The internal bus transfer takes some clocks until the interface register is written. Then the busy flag LBCTL0.BYF0 is set until the data is copied to the write buffer.
  - The LBDATA0 register contents is copied to the write buffer. This clears LBCTL0.BYF0 and causes the interrupt output to become active for one clock cycle. Transfer on the external bus interface starts with byte 0. The flag LBCTL0.TPF0 is set to indicate that a transfer is in progress.
  - Caused by the interrupt, the DMA writes a second halfword to LBDATA0. The CPU can write this halfword as well after it has checked the busy flag LBCTL0.BYF0. The internal bus transfer again takes some clock cycles until the LBDATA0 register is written and LBCTL0.BYF0 is set.
  - Because the transfer (two bytes) on the external bus interface is still going on and the LBDATA0 register contents can not be copied to the write buffer immediately, LBCTL0.BYF0 is set.
  - After the transfer over the external bus interface has been completed, the write buffer is filled with the contents of LBDATA0. The busy flag LBCTL0.BYF0 is cleared, and the interrupt output INTLCD becomes active for one clock cycle.

Filling the write buffer starts a new transfer to the external LCD controller.

**(3) Writing bytes**

Writing consecutive bytes transmits these bytes to the external LCD controller/driver.



**Figure 24-5** Timing (mod68 mode: LBCTL0.IMD0 = 1): write consecutive bytes, LBWST0.WST0 = 5, LBCYC0.CYC0 = 8, LBCTL0.TCIS0 = 0

**Note** The timing diagrams are for functional explanation purposes only without any relevance to the real hardware implementation.

- Sequence**
1. The first byte of LCD data is written to the LBDATA0 register. The internal bus transfer takes some clocks until the register of the interface is written. Then the busy flag LBCTL0.BYF0 is set until the data is copied to the write buffer.
  2. The LBDATA0 register contents is copied to the write buffer. This clears LBCTL0.BYF0 and causes the interrupt output to become active for one clock cycle. Transfer on the external bus interface is started. The flag LBCTL0.TPF0 is set to indicate that a transfer is in progress.
  3. Caused by the interrupt, the DMA writes a second byte to LBDATA0. The CPU can write this byte as well after it has checked the busy flag LBCTL0.BYF0. The internal bus transfer again takes some clock cycles until the LBDATA0 register is written and LBCTL0.BYF0 is set.
  4. Since the transfer (one byte) on the external bus interface is still going on and the LBDATA0 register contents can not be copied to the write buffer immediately, the busy flag LBCTL0.BYF0 remains set.
  5. After the transfer on the external bus interface has been completed, the write buffer is filled with the contents of LBDATA0. The busy flag LBCTL0.BYF0 is cleared and the interrupt output INTLCD becomes active for one clock cycle.

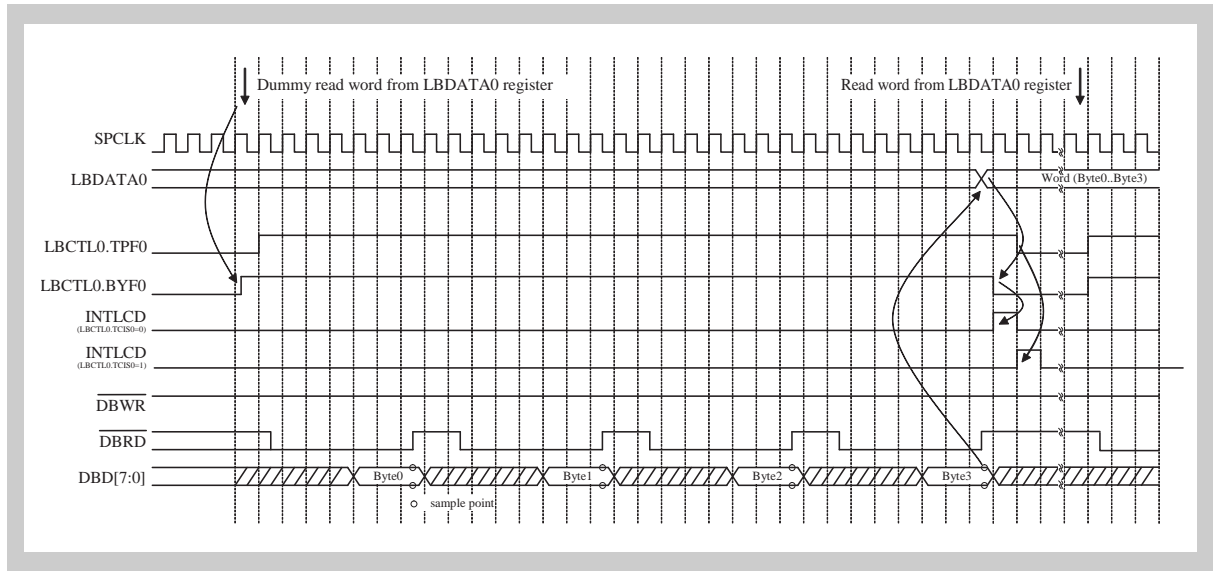
Filling the write buffer starts a new transfer to the external LCD controller.

### 24.3.4 Reading from the LCD bus

You can read from the LCD bus in word, halfword, or byte format. The following shows typical sequences of reading words and bytes.

#### (1) Reading words

Reading a word requires the transmission of four bytes.



**Figure 24-6** Timing (mod80: LBTCTLO.IMD0 = 0): read word, LBWST0.WST0 = 5, LBCYC0.CYC0 = 8, LBCTLO.TCIS0 = 0 and 1

**Note** The timing diagrams are for functional explanation purposes only without any relevance to the real hardware implementation.

- Sequence**
1. A dummy read to the LBDATA0 register starts the transfer of four bytes from the external LCD controller. The busy flag LBCTLO.BYF0 is set immediately. The “transfer in progress” flag LBCTLO.TPF0 is set on the rising edge of the clock. The data that is read from LBDATA0 belongs to a previous transfer and may be ignored.
  2. When the last of the four bytes is sampled and the complete word is available in the LBDATA0 register, the busy flag LBCTLO.BYF0 is cleared. The LBCTLO.TPF0 flag remains set until the cycle time of the last byte has elapsed.
  3. A following read to the LBDATA0 register provides the LCD controller data and initiates a new transfer.

(2) Reading bytes

The following figure shows a byte read operation in mod68 mode.

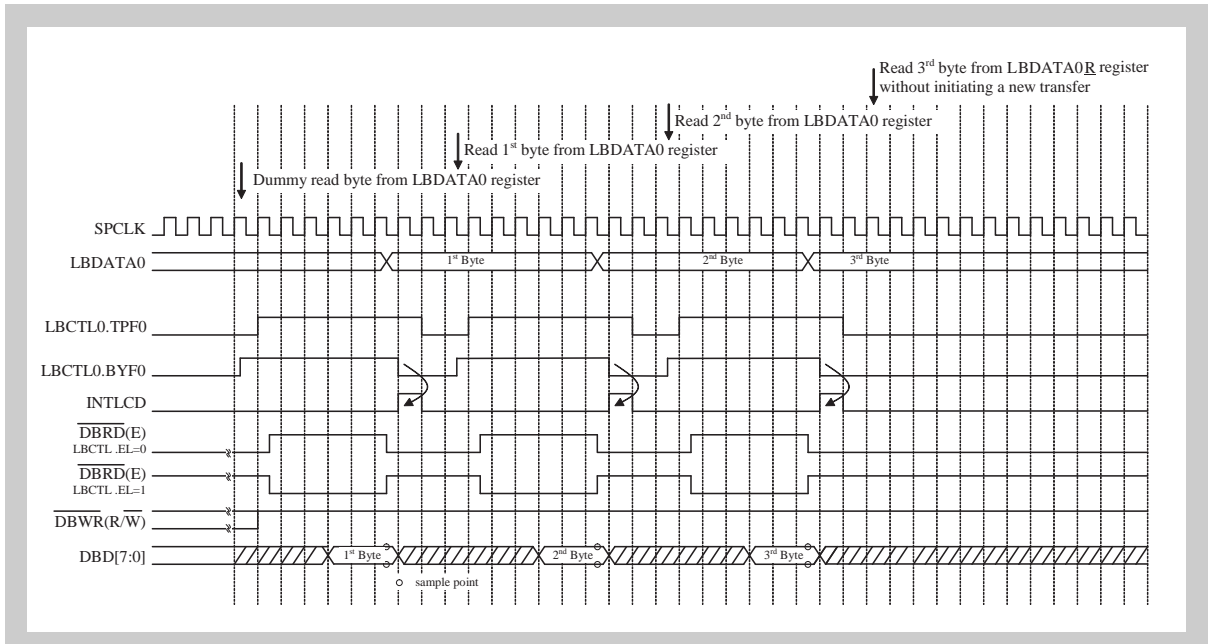


Figure 24-7 Timing (mod68: LBTCTL0.IMD0 = 1): read consecutive bytes, LBWST0.WST0 = 4, LBCYC0.CYC0 = 7, LBCTL0.TCIS0 = 0

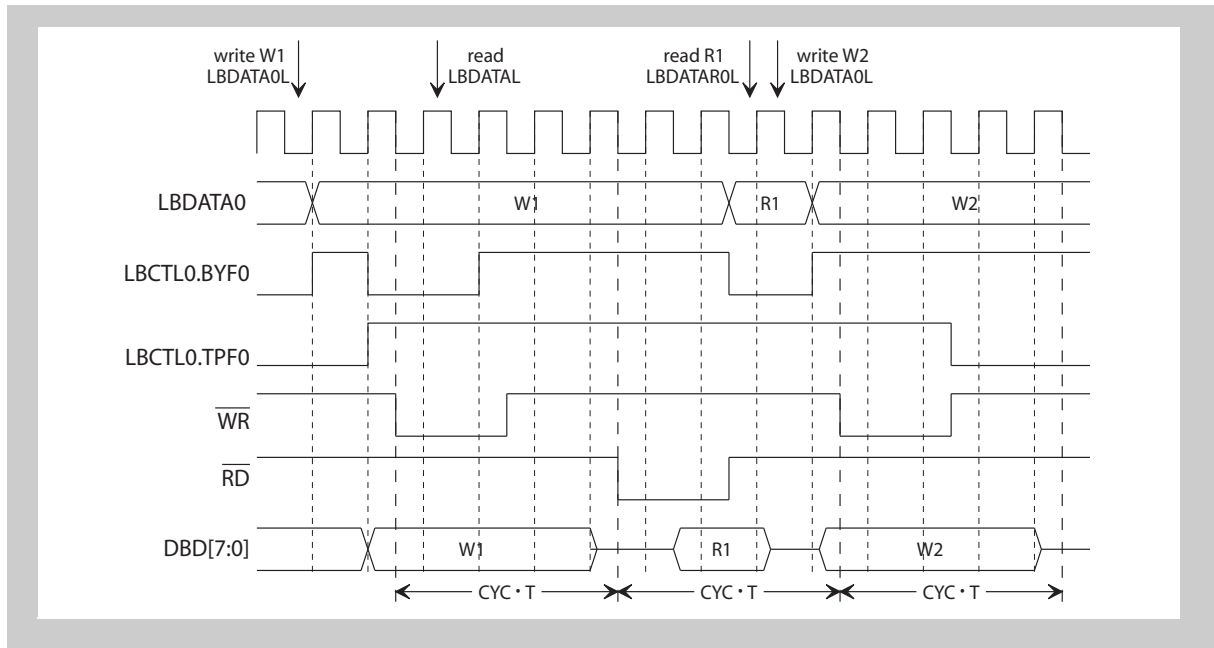
**Note** The timing diagrams are for functional explanation purposes only without any relevance to the real hardware implementation.

- Sequence**
1. A dummy read to the LBDATA0 register starts the transfer of one byte from the external LCD controller. The busy flag LBCTL0.BYF0 is set immediately. The “transfer in progress” flag LBCTL0.TPF0 is set on the rising edge of the clock. The data that is read from LBDATA0 belongs to a previous transfer and may be ignored.
  2. When the data on the LCD Bus Interface is sampled, LBCTL0.BYF0 is cleared and the data is available in LBDATA0. The interrupt output INTLCD becomes active for one clock cycle.
  3. A new read to LBDATA0 is performed while the previous transfer has not been finished (cycle time not elapsed). The busy flag LBCTL0.BYF0 is set immediately, but the new transfer is started after the previous one is complete. The “transfer in progress flag” LBCTL0.TPF0 remains set. The data that is read from LBDATA0 is the first LCD data byte.
  4. Again, the data that has been sampled is available in LBDATA0 and the busy flag LBCTL0.BYF0 is cleared.
  5. Steps 2 to 4 are repeated until the last byte to be read has been sampled.
  6. The last byte is not read from the LBDATA0 register but from LBDATAR0 in order to avoid a further read transfer on the LCD bus.

### 24.3.5 Write-Read-Write sequence on the LCD bus

Figure 24-8 shows an example when a write access to the LCD bus is immediately followed by a read access and vice versa. The example is given in mod80 mode (LBCTL0.IMD0 = 0) with byte transfers.

In mode68 mode (LBCTL0.IMD0 = 1) the timing is equivalent, when the the  $\overline{RD}$  strobe is considered as the low active E signal (LBCTL0.EL0 = 1)



**Figure 24-8** Timing (mod80: LBCTL0.IMD0 = 0): byte write-read-write, LBWST0.WST = 4, LBCYC0.CYC = 7, LBCTL0.TCIS = 0

# Chapter 25 Sound Generator (SG)

The Sound Generator (SG0) generates an audio-frequency tone signal and a high-frequency pulse-width modulated (PWM) signal. The duty cycle of the PWM signal defines the volume.

By default, the two signal components are routed to separate pins. But both signals can also be combined to generate a composite signal that can be used to drive a loudspeaker circuit.

## 25.1 Overview

The Sound Generator consists of a programmable square wave tone generator and a programmable pulse-width modulator.

The PWM includes an internal automatic logarithmic decrement unit (ALD). The ALD can be used to reduce the tone volume over time without CPU intervention.

### Features summary

Special features of the Sound Generator are:

- Programmable tone frequency (100 Hz to 6 KHz with a minimum step size of 20 Hz)
- Programmable volume level (9 bit resolution)
- Automatic logarithmic volume decrement function (ALD):
  - Volume reduction without CPU interaction
  - Programmable sound duration (256 steps)
  - Sound duration associated with tone frequency (gong effect)
  - Interrupt generation when programmable volume low level is reached
- Wide range of PWM signal frequency (32 KHz to 64 KHz)
- Sound can be stopped or retriggered (even if the ALD is switched on)
- Composite or separated frequency/volume output for external circuitry variation
- Hardware-optimized update of frequency and volume to avoid audible artifacts

### 25.1.1 Description

The following figure provides a functional block diagram of the Sound Generator.

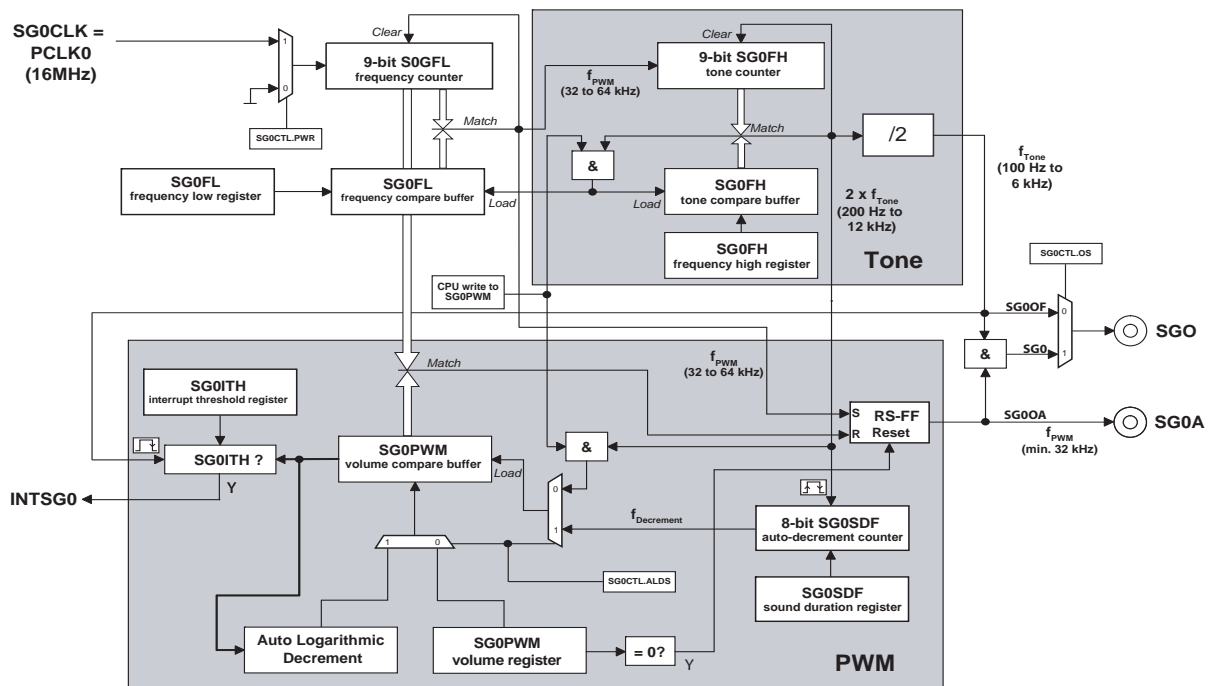


Figure 25-1 Sound Generator block diagram

The Sound Generator's input clock SG0CLK is the 16 MHz clock PCLK0.

#### Tone generator

The tone generator consists of two up-counters with compare registers. The values written to the frequency registers are automatically copied to compare buffers. The counters are reset to zero when their values match the contents of the associated compare buffers.

The 9-bit counter SG0FL generates a clock with a frequency between 32 KHz and 64 KHz. This clock constitutes the PWM frequency.

It is also the input of the second 9-bit counter SG0FH. The resulting tone signal behind the by-two-divider has a frequency between 100 Hz and 6 KHz and a 50 % duty cycle.

#### PWM

The PWM modulates the duty cycle according to the desired volume. It is controlled by the volume register SG0PWM. The value written to this register is automatically copied to the associated volume compare buffer.

The PWM continually compares the value of the counter SG0FL with the contents of its volume compare buffer.

The RS flipflop of the PWM is set by the pulses generated by the counter SG0FL. It is reset when the SG0FL counter value matches the contents of the volume buffer. Thus, the PWM output signal can have a duty cycle between 0 % (null volume) and 100 % (maximum volume).

The PWM frequency is above 32 KHz and hence outside the audible range.

#### Outputs

The Sound Generator is connected to the pins SGO and SGOA. By default, pin SGO provides the tone signal SG0OF and pin SGOA the PWM signal SG0OA that holds the volume ("amplitude") information.

If bit SG0CTL.OS is set, pin SGO provides the composite signal SG00 that can directly control a speaker circuit.



## 25.1.2 Principle of operation

The software-controlled registers SG0FL, SG0FH, and SG0PWM are equipped with hardware buffers. The Sound Generator operates on these buffers.

This approach eliminates audible artifacts, because the buffers are only updated in synchronization with the generated tone waveform.

**Note** This section provides an overview. For details please refer to “*Sound Generator Operation*” on page 939.

### (1) Generation of the tone frequency

The tone frequency is determined by two counters and their associated compare register values. Two counters are necessary to keep the tone pulse and the PWM signal synchronized.

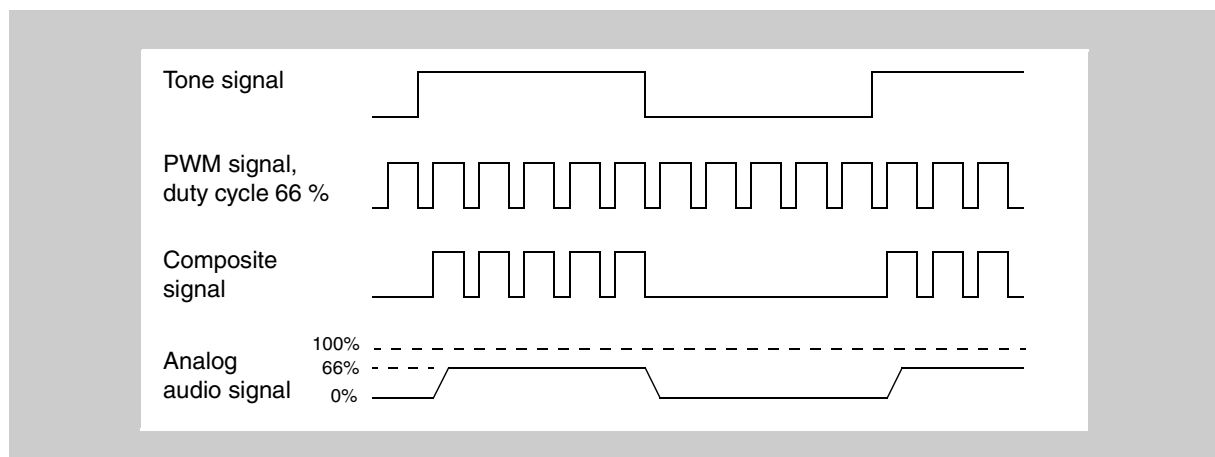
The first counter (SG0FL) provides the input to the second (SG0FH) and also to the PWM. It is used to keep the PWM frequency outside the audio range (above 30 KHz) and within the signal bandwidth of the external sound system (usually below 64 KHz). Its match value defines also the 100 % volume level.

The second counter (SG0FH) generates the tone frequency (100 Hz to 6 KHz).

**Note** If the target values of the counters SG0FL/SG0FH are changed to generate a different tone frequency, the volume register SG0PWM has to be adjusted to keep the same volume.

### (2) Generation of the volume information

The volume information (the “amplitude” of the audible signal) is provided as a high-frequency PWM signal. In composite mode, the PWM signal is ANDed with the tone signal, as illustrated in the following figure.



**Figure 25-2** Generation of the composite output signal

www.DataSheet4U.com

After low-pass filtering, the analog signal amplitude corresponds to the duty cycle of the PWM signal. Low-pass filtering (averaging) is an inherent characteristic of a loudspeaker system.

The duty cycle can vary between 0 % and 100 %. Its generation is controlled by the counter register SG0FL and the volume register SG0PWM.

When the volume register SG0PWM is cleared, the sound stops immediately.

### (3) Automatic fading

The automatic logarithmic decrement function (ALD) provides an automatic volume reduction without CPU interaction.

In regular intervals (related to the tone frequency, selectable via register SG0SDF), the ALD divides the present contents of the volume buffer by 32 (truncated) and subtracts the result from the buffer value. The logarithmic reduction creates the impression of a linear volume reduction in the human ear.

The initial volume that is defined by the contents of the volume register SG0PWM remains unchanged.

### (4) Interrupt generation

When the ALD is switched on, the Sound Generator generates the interrupt request INTSG0.

This interrupt signals that the sound volume has decreased to a certain level (set in register SG0ITH). Because the sound duration depends on the tone frequency and the contents of the sound duration register SG0SDF, INTSG0 can be used to indicate “sound is low” or “sound has ended”.

This interrupt is generated only once after the start volume level has been written to SG0PWM.

## 25.2 Sound Generator Registers

The Sound Generator is controlled by means of the following registers:

Table 25-1 Sound Generator registers overview

Register name	Shortcut	Address
SG0 frequency low register	SG0FL	<base>
SG0 frequency high register	SG0FH	<base> + 2 <sub>H</sub>
SG0 volume register	SG0PWM	<base> + 4 <sub>H</sub>
SG0 sound duration factor register	SG0SDF	<base> + 6 <sub>H</sub>
SG0 control register	SG0CTL	<base> + 7 <sub>H</sub>
SG0 interrupt threshold register	SG0ITH	<base> + 8 <sub>H</sub>

Table 25-2 Sound Generator register base address

Module	Base address
SG0	FFFF F5A0 <sub>H</sub>

**(1) SG0CTL - SG0 control register**

The 8-bit SG0CTL register controls the operation of the Sound Generator.

**Access** This register can be read/written in 8-bit or 1-bit units.

**Address** <base> + 7<sub>H</sub>

**Initial Value** 00<sub>H</sub>. This register is cleared by any reset.

7	6	5	4	3	2	1	0
0	0	0	PWR	0	0	OS	ALDS
R	R	R	R/W	R	R	R/W	R/W

**Table 25-3 SG0CTL register contents**

Bit position	Bit name	Function
4	PWR	Power save mode selection: 0: Clock input switched off (the Sound Generator is disabled and does not operate). 1: Clock input switched on (the Sound Generator is enabled and ready to use).
1	OS	SG0 output mode selection: 0: Selects SGOF and SGOA outputs (frequency and amplitude separated). 1: Selects SGO output (frequency and amplitude mixed).
0	ALDS	Automatic logarithmic decrement of volume (ALD) selection: 0: ALD switched off. 1: ALD activated.

**Note** Change the contents of this register only when the sound is stopped (register SG0PWM cleared).

**(2) SG0FL - SG0 frequency low register**

The 16-bit SG0FL register is used to specify the target value for the PWM frequency. It holds the target value for the 9-bit counter SG0FL.

**Access** This register is can be read/written in 16-bit units. It cannot be written if bit SG0CTL.PWR = 0.

The SG0FL register can also be read/written together with the SG0FH register by 32-bit access via the SG0F register.

**Address** <base>

**Initial Value** 0000<sub>H</sub>. This register is cleared by any reset.

15	14	13	12	11	10	9	8	7	6	5	4	3	2	1	0
0	0	0	0	0	0	0	Counter SG0FL target value								
R	R	R	R	R	R	R	R/W								

For the calculation of the resulting PWM frequency refer to “*PWM calculations*” on page 942.

The value written to SG0FL defines also the reference value for the maximum sound amplitude (100% PWM duty cycle). A 100 % duty cycle (continually high) will be generated if the SG0PWM value is higher than the SG0FL value. For details see “*PWM calculations*” on page 942).

- Note**
1. The bits SG0FL[15:9] are not used.
  2. The maximum value to be written is 510 (01FE<sub>H</sub>). This yields a PWM frequency of 31.3 KHz. The minimum value to be written depends on the capability of the external circuit. A value of 255 (00FF<sub>H</sub>) would yield a PWM frequency of 62.5 KHz.
  3. The value read from this register does not necessarily reflect the current PWM frequency, because this frequency is determined by the frequency compare buffer value. The buffer might not be updated yet. For details see “*Updating the frequency buffer values*” on page 939.

**(3) SG0FH - SG0 frequency high register**

The 16-bit SG0FH register is used to specify the final tone frequency. It holds the target value for the 9-bit counter SG0FH.

**Access** This register is can be read/written in 16-bit units. It cannot be written if bit SG0CTL.PWR = 0.

The SG0FH register can also be read/written together with the SG0FL register by 32-bit access to the SG0FL register via the SG0F register.

**Address** <base> + 2<sub>H</sub>

**Initial Value** 0000<sub>H</sub>. This register is cleared by any reset.

15	14	13	12	11	10	9	8	7	6	5	4	3	2	1	0
0	0	0	0	0	0	0	Counter SG0FH target value								
R	R	R	R	R	R	R	R/W								

For the calculation of the resulting tone frequency refer to “Tone frequency calculation” on page 940.

- Note**
1. The bits SG0FH[15:9] are not used.
  2. Legal values depend on the contents of register SG0FL which defines the frequency of the input pulse. For example: If the counter SG0FL generates a frequency of 32.4 KHz, a value of 161 would generate a tone frequency of 100 Hz.
  3. The value read from this register does not necessarily reflect the current tone frequency, because this frequency is determined by the frequency compare buffer value. The buffer might not be updated yet. For details see “Updating the frequency buffer values” on page 939.

**(4) SG0F - SG0 frequency register**

The 32-bit register SG0F combines access to the 16-bit registers SG0FL and SG0H. This makes it possible to change the values for the PWM and tone frequency with one write access.

**Access** This register is can be read/written in 32-bit units. It cannot be written if bit SG0CTL.PWR = 0.

**Address** <base>

**Initial Value** 0000 0000<sub>H</sub>. This register is cleared by any reset.

31											16	15											0								
SG0FH																SG0FL															

**(5) SG0PWM - SG0 volume register**

The 16-bit register SG0PWM is used to specify the sound volume. It holds the target value for the sound amplitude that is given by the duty cycle of the PWM signal. When the ALD is switched on, this is the start value.

**Access** This register is can be read/written in 16-bit units. It cannot be written if bit SG0CTL.PWR = 0.

**Address** <base> + 4<sub>H</sub>

**Initial Value** 0000<sub>H</sub>. This register is cleared by any reset.

15	14	13	12	11	10	9	8	7	6	5	4	3	2	1	0
0	0	0	0	0	0	0	Sound volume target value								
R	R	R	R	R	R	R	R/W								

The value written to this register must be considered in conjunction with the contents of register SG0FL. The register SG0FL specifies the maximum value of the counter SG0FL.

For the calculation of the resulting duty cycle refer to “*PWM calculations*” on page 942.

The setting takes effect after the SG0PWM buffer has been updated (see “*Updating the volume buffer value*” on page 941).

- Note**
1. The bits 15:9 are not used.
  2. The value read from this register does not necessarily reflect the current volume, because the value of counter SG0FL is compared with the contents of the volume buffer. The buffer might not be updated yet or changed by the ALD function.
  3. The value of this register remains unchanged when the ALD is switched on.
  4. The sound stops immediately when this register is cleared.

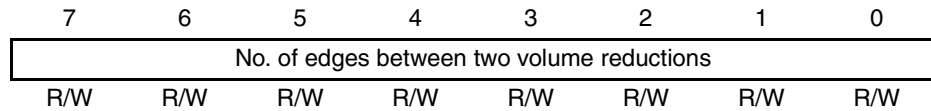
**(6) SG0SDF - SG0 sound duration factor register**

The 8-bit register SG0SDF is used to specify the duration of the sound when the ALD is switched on. It defines the number of tone signal edges between two successive volume reductions.

**Access** This register can be read/written in 8-bit or 1-bit units.

**Address** <base> + 6<sub>H</sub>

**Initial Value** 00<sub>H</sub>. This register is cleared by any reset.



The ALD is synchronized with the tone signal. With this register, the ALD is instructed to reduce the volume at every nth edge (falling or rising) of the tone signal.

The correspondence between the value written to SG0SDF and n is shown in the following table.

**Table 25-4 ALD cycle rate**

SG0SDF value	n
0000 0000 <sub>B</sub>	1
0000 0001 <sub>B</sub>	2
...	...
1111 1111 <sub>B</sub>	256

Because both edges are counted, the maximum time between two successive volume reductions is 128 times the tone period.

**Note** Change the contents of this register only when the sound is stopped (register SG0PWM cleared).

**(7) SG0ITH - SG0 interrupt threshold register**

The 16-bit register SG0ITH is used to specify the volume level for the interrupt request INTSG0.

When the ALD is switched on, the sound volume is stepwise reduced. This is done by reducing the value of the volume buffer. INTSG0 is generated when the value of the volume buffer is equal to or less than the value written to SG0ITH.

INTSG0 is never generated when the ALD is switched off.

**Access** This register is can be read/written in 16-bit units.

**Address** <base> + 8<sub>H</sub>

**Initial Value** 0000<sub>H</sub>. This register is cleared by any reset.

15	14	13	12	11	10	9	8	7	6	5	4	3	2	1	0
0	0	0	0	0	0	0	Interrupt threshold value								
R	R	R	R	R	R	R	R/W								

To avoid glitches, the INTSG0 interrupt is only generated at a falling edge of the tone signal. If the condition is met at a rising edge, the interrupt will be generated at the next falling edge of the tone signal.

- Note**
1. The bits 15:9 are not used.
  2. Change the contents of this register only when the sound is stopped (register SG0PWM cleared).

When the ALD is switched on, a write access to the SG0PWM volume register starts the comparison of the SG0ITH register contents with the volume buffer. The comparison ends after INTSG0 has been generated.

To revive the comparison, you must first write to SG0PWM. This restarts the tone.



## 25.3 Sound Generator Operation

This section explains the details of the Sound Generator.

### 25.3.1 Generating the tone

The tone signal is generated by the compare match signal of the SG0FH counter value with the value of the SG0FH buffer, followed by a by-two-divider. At each compare match, the counter is reset to zero.

Remember that the SG0FH counter is clocked by the output of the SG0FL counter.

#### (1) Updating the frequency buffer values

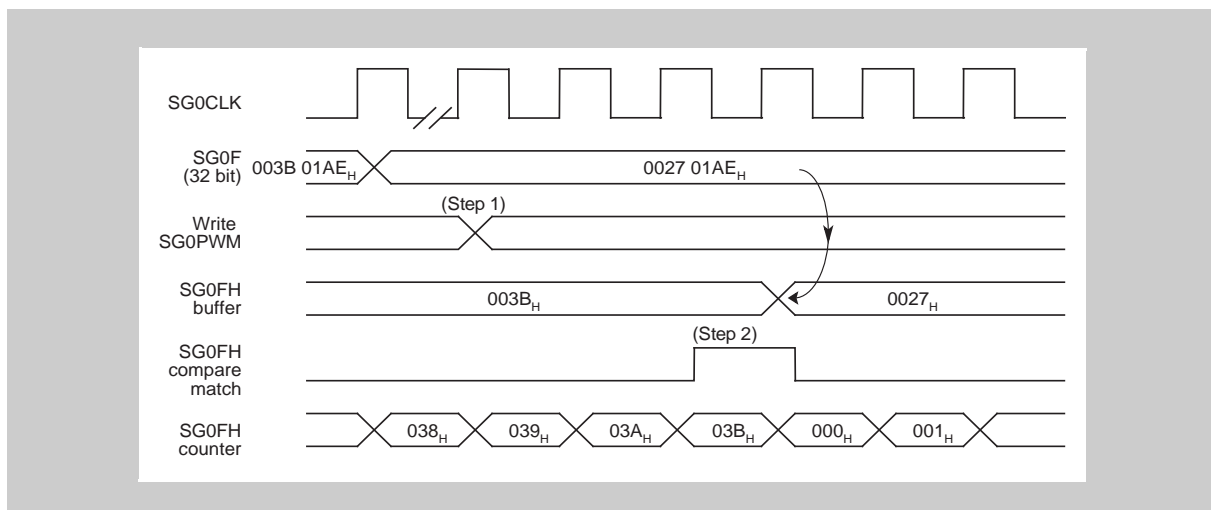
The values of the frequency buffers can be changed by writing to the associated frequency registers SG0FL and SG0FH. Both registers can be written together via SG0F.

Changing the value of the SG0FL (equivalent to SG0F[15:0]) register would also yield a change of the PWM frequency, i.e. the sound volume. Therefore it is obligatory to write the correct PWM value to SG0PWM before a new SG0F value is copied to the frequency buffers.

The SG0F register contents is copied to the buffers when the following sequence is detected:

1. CPU write access to SG0PWM register occurred.
2. SG0FH counter value and SG0FH buffer value have matched.  
This match is equivalent to the next edge (rising or falling) of the tone signal.

The following figure shows an example (not to scale).



www.DataSheet4U.com

**Figure 25-3 Update timing of the frequency buffers**

Up to the next match, frequency registers and associated buffers can hold different values. If a 309 Hz tone is generated, as in the above example, the time span between writing to the SG0PWM register and updating the buffer can be up to 3.24 ms.

**(2) Tone frequency calculation**

The tone frequency can be calculated as:

$$f_{\text{tone}} = f_{\text{SG0CLK}} / (([\text{SG0FL buffer}] + 1) \times ([\text{SG0FH buffer}] + 1) \times 2)$$

where:

$f_{\text{SG0CLK}}$  = frequency of the SG0 input clock

[SG0FL buffer] = contents of the SG0FL buffer

[SG0FH buffer] = contents of the SG0FH buffer

**Example** If:

- $f_{\text{SG0CLK}} = 16 \text{ MHz}$
- [SG0FL buffer] = 255 (00FF<sub>H</sub>) (this yields a PWM frequency of 62.5 KHz)
- [SG0FH buffer] = 32 (0020<sub>H</sub>)

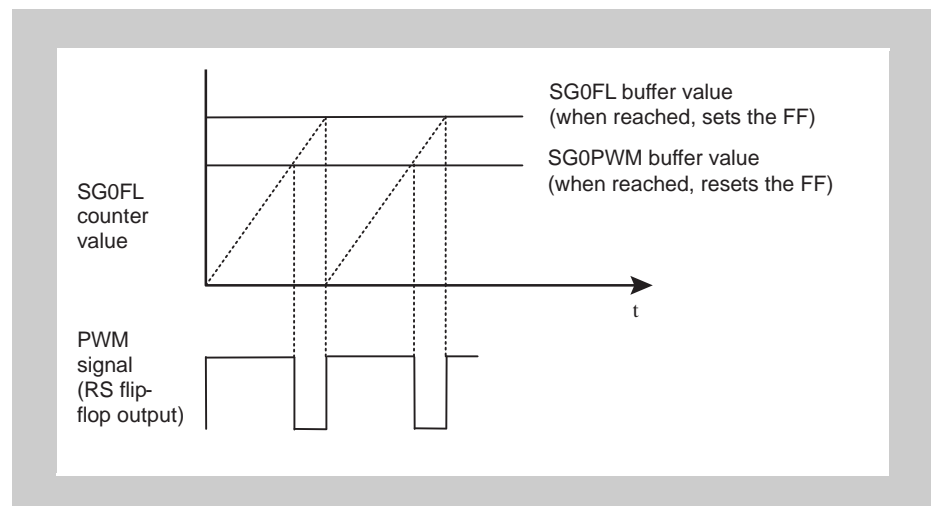
then:

- $f_{\text{tone}} = 947 \text{ Hz}$

**Note** Note that the buffer contents can differ from the contents of the associated register until the next compare match.

**25.3.2 Generating the volume information**

The sound volume information is generated by comparing the SG0FL counter value with the contents of the SG0PWM volume buffer. An RS flipflop is set when the counter matches the SG0FL buffer and reset when the counter reaches the value of the volume buffer SG0PWM.



www.DataSheet4U.com **Figure 25-4 PWM signal generation**

The duty cycle of the PWM signal is determined by the difference between the contents of the SG0FL counter buffer and the contents of the SG0PWM volume buffer. The larger the difference, the smaller the duty cycle.

The PWM signal is continually high when the value of the volume buffer is higher than the value of the frequency compare buffer.

**Note** To achieve 100 % duty cycle for all PWM frequencies, SGOFL must not be set to a value above 1FE<sub>H</sub>.

The PWM signal is continually low when the value of the volume buffer is zero — the sound has stopped.

#### (1) Updating the volume buffer value

The value of the volume compare buffer can be changed by writing to the volume register SG0PWM. It is also changed by the ALD function.

- If the register is cleared by writing 0000<sub>H</sub>, the register value is copied to the volume compare buffer with the next rising edge of SG0CLK.
- As a result, the sound stops at the latest after one period of SG0CLK.
- If a non-zero value is written to the register, the buffer is updated with the next falling or rising edge of the tone frequency (match between SG0FH counter value and SG0FH buffer value).

When the ALD is switched on (SG0CTL.ALDS = 1) and no write access to the SG0PWM register occurred, the ALD reduces the contents of the volume buffer gradually.

If SG0PWM is written between two reductions, the new value takes precedence over the ALD, and the volume buffer is updated.

**(2) PWM calculations**

**PWM frequency** The PWM frequency is generated by the counter SG0FL. It can be calculated as:

$$f_{\text{PWM}} = f_{\text{SG0CLK}} / ([\text{SG0FL buffer}] + 1)$$

where:

$f_{\text{SG0CLK}}$  = frequency of the SG0 input clock

[SG0FL buffer] = contents of the SG0FL buffer

**Duty cycle** The duty cycle of the PWM signal is calculated as follows:

- If [SG0PWM buffer] > [SG0FL buffer]:  
Duty cycle = 100 %
- If  $0 \leq [\text{SG0PWM buffer}] \leq [\text{SG0FL buffer}]$ :  
Duty cycle = [SG0PWM buffer] / ([SG0FL buffer] + 1)

where:

[SG0PWM buffer] = contents of SG0PWM buffer

[SG0FL buffer] = contents of SG0FL buffer

**Example** If [SG0FL] is set to 240 (00F0<sub>H</sub>), the following table applies:

**Table 25-5 Duty cycle calculation example**

[SG0PWM]	Calculation	Duty cycle [%]
01FF <sub>H</sub>		100
...		100
00F1 <sub>H</sub>	241 / 241	100
00F0 <sub>H</sub>	240 / 241	99.6
00EF <sub>H</sub>	239 / 241	99.2
...	...	...
0001 <sub>H</sub>	1 / 241	0.41
0000 <sub>H</sub>	0 / 241	0

The table shows, how the contents of register SG0FL affects the achievable volume resolution.

**(3) Automatic fading**

The built-in automatic logarithmic decrement function (ALD) can be used to reduce the volume gradually to zero without CPU intervention. The logarithmic decrease matches the sensitivity of the human ear and creates the impression of a linearly decaying sound.

A sound started with SG0CTL.ALDS = 1 will automatically fade away. The fading can be stopped by writing to the SG0PWM register.

The speed of the volume reduction is controlled by the sound duration factor register SG0SDF. Depending on the value written to SG0SDF, a new amplitude value is calculated at every nth edge (rising or falling) of the tone signal.

The range of n is 1 to 256.

The calculation of the volume reduction uses 13-bit arithmetic and follows below procedure:

```
PWM8[0] = SG0PWM; // initial PWM output
OV13[0] = SG0PWM << 5 + 31; // in 13-bit
for (n=1, n< N+1; n++) {
    NV13[n] = OV13[n-1] - (OV13[n-1] >> 5); // decrement in 13-bit
    PWM8[n] = NV13[n] >> 5; // new PWM output
}
```

where:

PWM8[n]:	8-bit PWM output value
OV13[n]:	internal old value in 13-bit
NV13[n]:	internal new value in 13-bit
N:	number of volume reduction
steps	

Because the SG0PWM register is not affected, the present volume value cannot be read from that register.

The sound stops when the volume buffer value becomes zero.

The number of repetitions depends on the start value set in register SG0PWM. To avoid an initial delay with apparently no effect, the start value shall not exceed the value of register SG0FL by more than 1.

The total sound duration depends on

- the start value,
- the sound duration factor set in register SG0SDF,
- the tone frequency.

**Example** The subsequent table shows two examples of the sound duration for minimum and maximum tone frequency.

The following settings are assumed:

- $f_{SG0CLK} = 16 \text{ MHz}$
- $[SG0FL] = 332$  (this yields a PWM frequency of 48.048 KHz)
- $[SG0PWM] = 333$  (100 % volume)
- a)  $[SG0FH] = 3$  (this yields a tone frequency of 6.006 KHz)
- b)  $[SG0FH] = 240$  (this yields a tone frequency of 99.69 Hz)

**Table 25-6 Sound duration example**

	<b>Tone frequency</b>	<b>Reduced at every tone edge</b>	<b>Reduced at every 2nd tone edge</b>	<b>...</b>	<b>Reduced at every 256th tone edge</b>
Sound duration [roughly sec]	6006 Hz	0.018	0.035	...	4.58
	99.69 Hz	1.08	2.15	...	275

## 25.4 Sound Generator Application Hints

This section provides supplementary programming information.

### 25.4.1 Initialization

To enable the Sound Generator, set SG0CTL.PWR to 1. This connects the SG0 to the clock SG0CLK.

Check bit SG0CTL.OS.

When SG0CTL.OS is 0, the signal at pin SGO is a symmetrical square waveform with the frequency  $f_{\text{tone}}$ . When SG0CTL.OS is 1, the signal at pin SGO is composed of the tone signal and PWM pulses.

The frequency data registers SG0FL and SG0FH provide the buffer values for the counters. The combined value represents the frequency of the tone.

### 25.4.2 Start and stop sound

The sound is started by writing a non-zero value to the volume register SG0PWM.

Before starting the sound, all other register settings must be made.

The sound is stopped by writing 0000<sub>H</sub> to the volume register SG0PWM. The sound is stopped regardless of the current value of amplitude output or frequency output. Thus, the sound can be stopped quickly, even if a very low sound frequency is chosen.

When the ALD is switched on, the sound stops automatically when the contents of the volume buffer reaches zero.

### 25.4.3 Change sound volume

The sound volume is changed by writing a new value to register SG0PWM.

The new volume takes effect with the next edge of the tone pulse (rising or falling).

**Note** When the ALD is switched on, the current volume value cannot be read from register SG0PWM.

### 25.4.4 INTSG0 interrupt

The interrupt INTSG0 is only generated when the ALD is active (SG0CTL.ALDS = 1). INTSG0 is generated when the value of the volume buffer is equal to or less than the value written to SG0ITH.

This can be used to reconfigure the Sound Generator when a certain volume level is reached.

The interrupt does not stop the ALD sound.

### 25.4.5 Constant sound volume

A sound started with SG0CTL.ALDS = 0 is output with the volume value written to SG0PWM. The sound is output continually and does not stop automatically. It has to be stopped by writing 0000<sub>H</sub> to the SG0PWM register.

### 25.4.6 Generate special sounds

To generate special sounds (like blinker clicks etc.), frequency and volume can be changed simultaneously.

To change the frequency of a sound that has already started:

1. Write to frequency register SG0FL in 32-bit mode (or to SG0FL and SG0FH separately in 16-bit mode).
2. Write to volume register SG0PWM.



## Chapter 26 Power Supply Scheme

The microcontroller has general power supply pins for its core, internal memory and peripherals. These pins are connected to internal voltage regulators. The microcontroller also has dedicated power supply pins for certain I/O modules. These pins provide the power for the I/O operations.

### 26.1 Overview

The following table gives the naming convention of the pins:

Dedicated function		V <sub>DD</sub> or V <sub>SS</sub>	5	n
<none>	CPU core, internal memory and peripherals	<ul style="list-style-type: none"> <li>V<sub>DD</sub>: Voltage Drain Drain</li> <li>V<sub>SS</sub>: Voltage for Substrate and Source</li> </ul>	level 5 V (nominative)	instance number
A	A/D Converter, Voltage Comparators			
B	Standard I/O buffer			
D	<ul style="list-style-type: none"> <li>μPD70F3421, μPD70F3422, μPD70F3423: LCD Controller/Driver driver I/O</li> <li>μPD70F3424, μPD70F3425, μPD70F3426A: LCD Bus interface I/O</li> <li>μPD70F3427: D[31:16] ports, includes LCD Bus interface I/O</li> </ul>			
SM	Stepper Motor Controller/Driver I/O			
M	<ul style="list-style-type: none"> <li>μPD70F3427: external memory I/F pins (except D[31:16] ports)</li> </ul>			

The following pins belong to the Power Supply Scheme:

Table 26-1 Power supply pins

Pin	Connected to		
	$\mu$ PD70F3421, $\mu$ PD70F3422, $\mu$ PD70F3423	$\mu$ PD70F3424, $\mu$ PD70F3425, $\mu$ PD70F3426A	$\mu$ PD70F3427
VDD50 / VSS50	CPU core Pin pair is connected to voltage regulator 0.		
REGC0	Capacitor for voltage regulator 0 for pin pair VDD50 / VSS50.		
VDD51 / VSS51	CPU core Pin pair is connected to voltage regulator 0.		
REGC1	Capacitor for voltage regulator 1 for pin pair VDD51 / VSS51		
VDD52 / VSS52	Clock generation circuit and peripherals Power-on-clear circuit Pin pair is connected to a voltage regulator 1.		
REGC2	Capacitor for voltage regulator 2 for pin pair VDD52 / VSS52		
AVDD / AVSS	A/D Converter (power supply) Voltage Comparators		
AVREF	A/D Converter (reference input level)		
BVDD5n / BVSS5n	I/O buffer (n = 0, 1)		
DVDD50 / DVSS50	LCD Controller/Driver I/O	LCD Bus Interface I/O	D[31:16] ports, including LCD Bus Interface I/O
DVDD51 / DVSS51	–	–	
SMVDD5n / SMVSS5n	Stepper Motor Controller/Driver (n = 0, 1)		
MVDD5n / MVSS5n	–	–	External memory I/F, except D[31:16] (n = 0 to 4)

**Note** For electrical characteristics refer to the Data Sheet.

## 26.2 Description

### 26.2.1 Devices $\mu$ PD70F3421, $\mu$ PD70F3422, $\mu$ PD70F3423

Figure 26-1 gives an overview of the allocation of power supply pins of the  $\mu$ PD70F3421,  $\mu$ PD70F3422,  $\mu$ PD70F3423 devices. Their functional assignment is depicted in more detail in Figure 26-2.

**Note** The diagrams do not show the exact pin location.

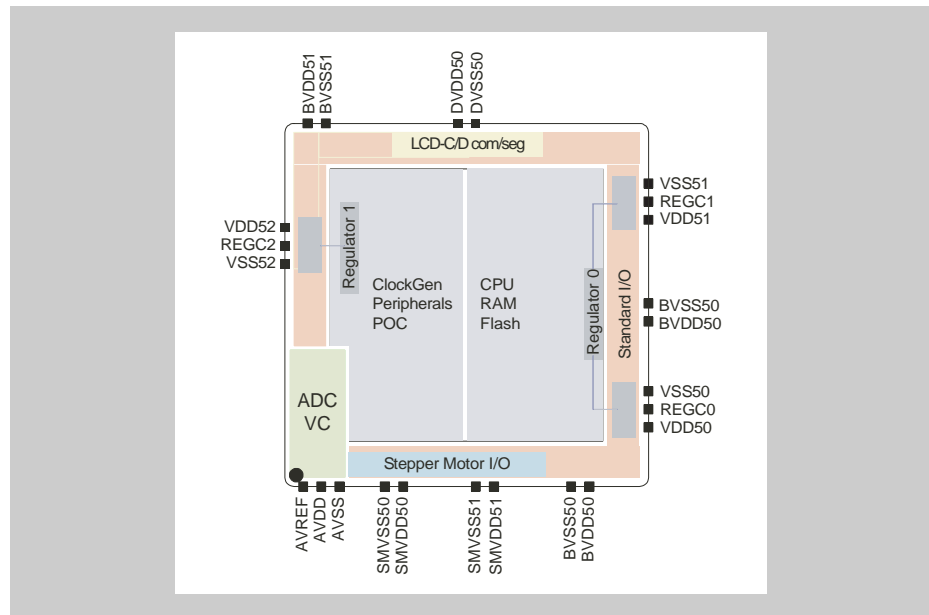


Figure 26-1 Power supply pins for  $\mu$ PD70F3421,  $\mu$ PD70F3422,  $\mu$ PD70F3423

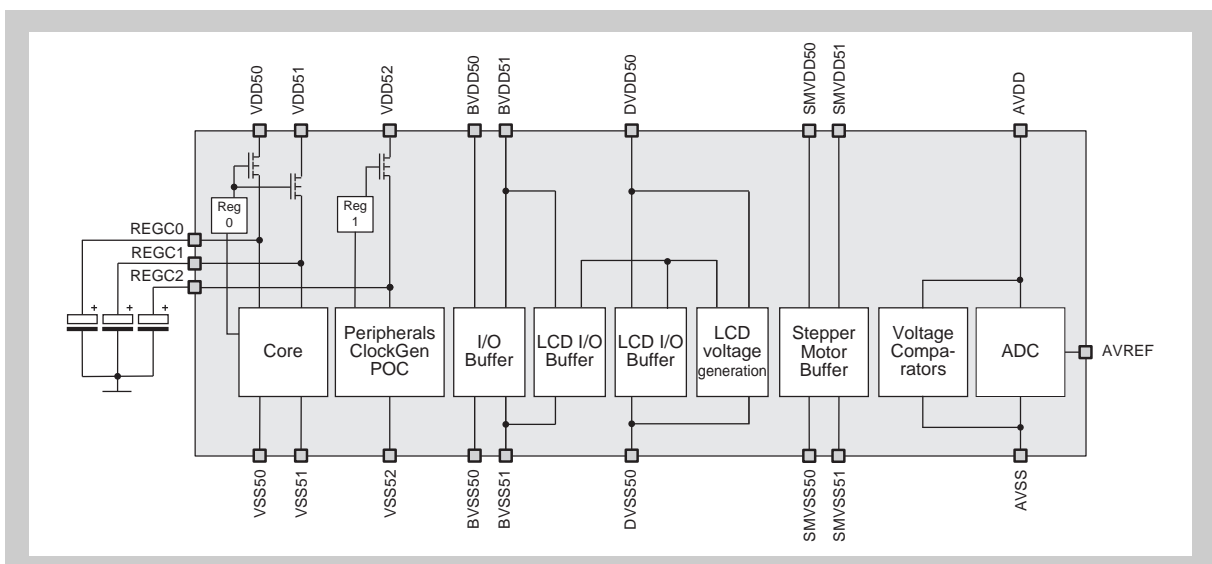


Figure 26-2 Functional assignment of power supply pins ( $\mu$ PD70F3421,  $\mu$ PD70F3422,  $\mu$ PD70F3423)

### 26.2.2 Devices $\mu$ PD70F3424, $\mu$ PD70F3425, $\mu$ PD70F3426A

Figure 26-3 gives an overview of the allocation of power supply pins of the  $\mu$ PD70F3424,  $\mu$ PD70F3425,  $\mu$ PD70F3426A devices. Their functional assignment is depicted in more detail in Figure 26-4.

**Note** The diagrams do not show the exact pin location.

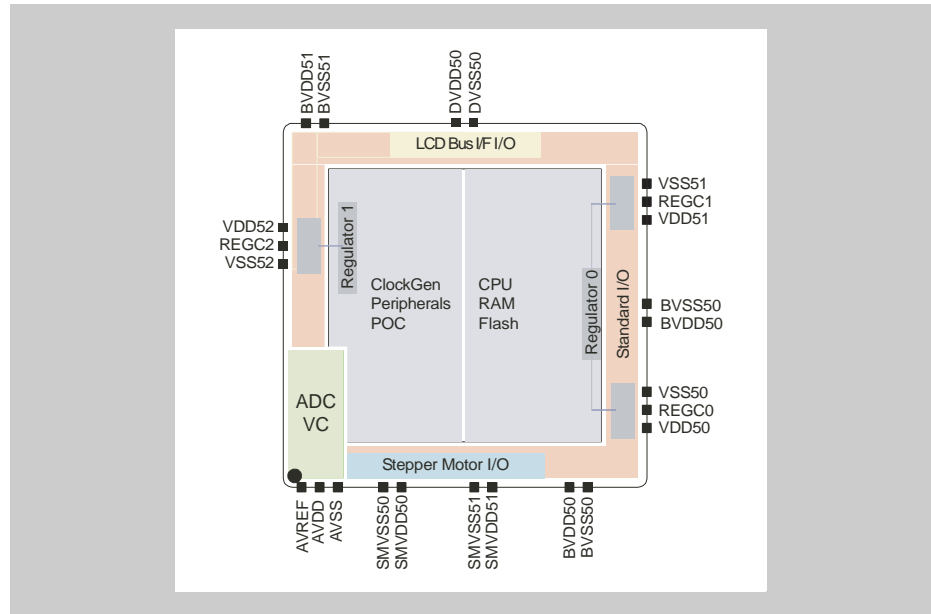


Figure 26-3 Power supply pins for  $\mu$ PD70F3424,  $\mu$ PD70F3425,  $\mu$ PD70F3426A

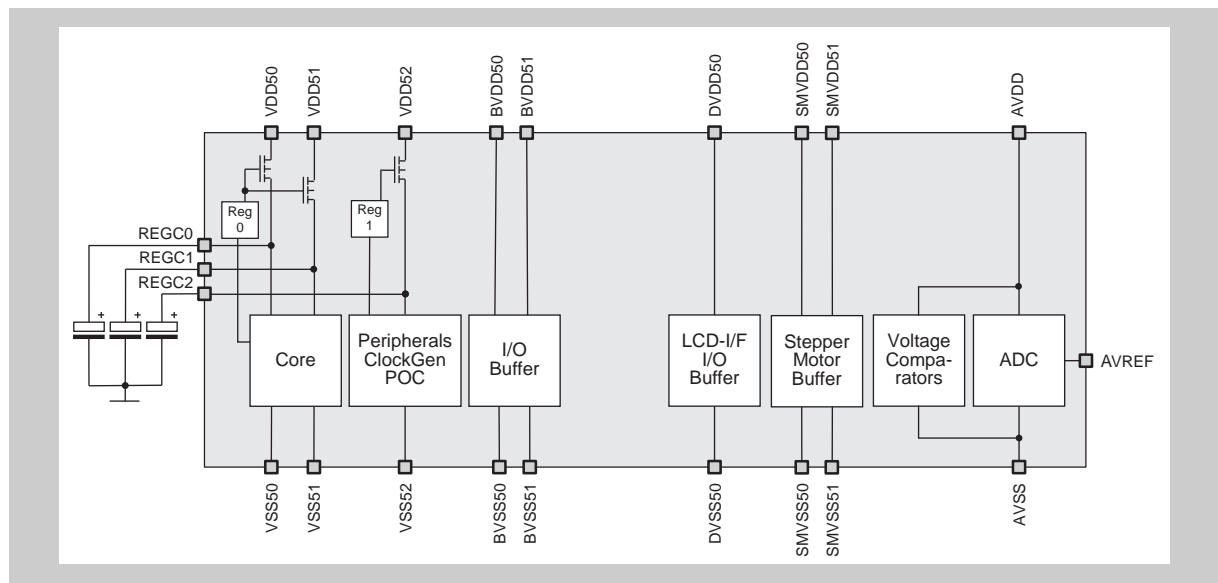


Figure 26-4 Functional assignment of power supply pins for  $\mu$ PD70F3424,  $\mu$ PD70F3425,  $\mu$ PD70F3426A

### 26.2.3 Device $\mu$ PD70F3427

Figure 26-5 gives an overview of the allocation of power supply pins of the  $\mu$ PD70F3427 devices. Their functional assignment is depicted in more detail in Figure 26-6.

**Note** The diagrams do not show the exact pin location.

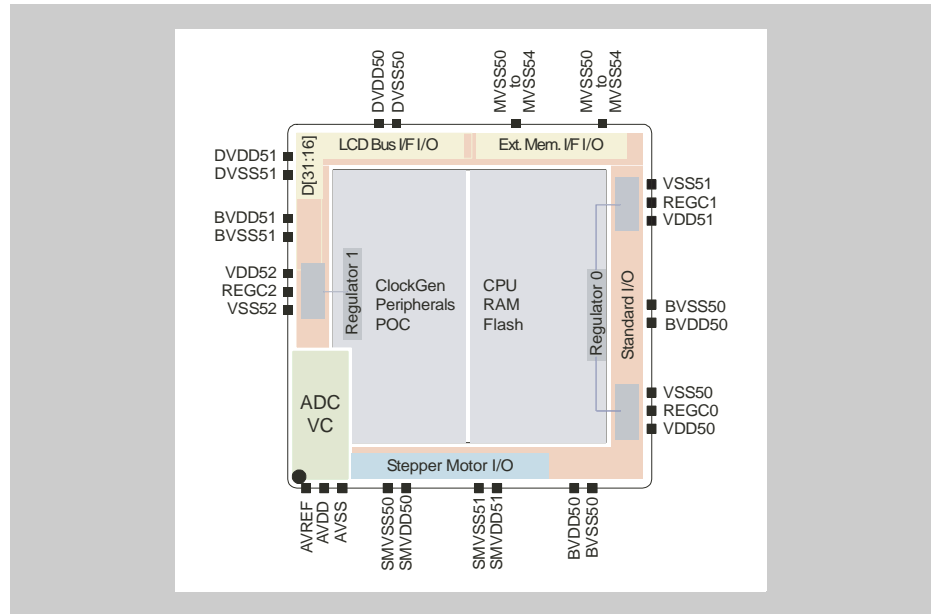


Figure 26-5 Power supply pins for  $\mu$ PD70F3427

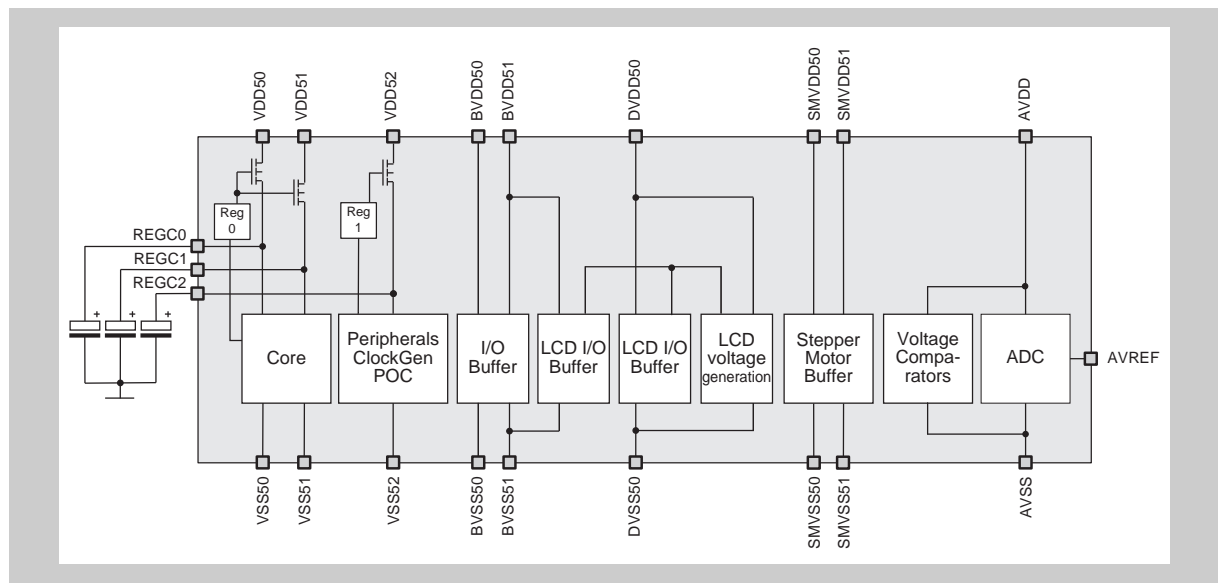


Figure 26-6 Functional assignment of power supply pins for  $\mu$ PD70F3427

## 26.3 Voltage regulators

The on-chip voltage regulators generate the voltages for the internal circuitry (CPU core, clock generation circuit and peripherals), refer to *Figure 26-2*, *Figure 26-4* and *Figure 26-6*.

The regulators operate per default in all operation modes (normal operation, HALT, IDLE, STOP, WATCH, Sub-WATCH, and during RESET).

During power save modes the voltage regulators can be optionally disabled by setting the STBCTL register (refer to “*Control registers for power save modes*” on page 169).

**Note** To stabilize the output voltage of the regulator, connect a capacitor to the REGC pin. Refer to the Data Sheet.

# Chapter 27 Reset

Several system reset functions are provided in order to initialize hardware and registers.

## 27.1 Overview

**Features summary** A reset can be caused by the following events:

- External reset signal  $\overline{\text{RESET}}$   
Noise in the external reset signal is eliminated by an analog filter.
- Power-On-Clear (internal signal RESPOC)
- Overflow of the Watchdog Timer (internal signal RESWDT)
- Main or sub-oscillator fails (internal signals RESCMM, RESCMS)
- Software reset (internal signal RESSW)

As output, the reset function provides two internal reset signals:

- SYSRES (system reset)
- SYSRESWDT (Watchdog Timer reset)

### 27.1.1 General reset performance

The following figure shows the signals involved in the reset function:

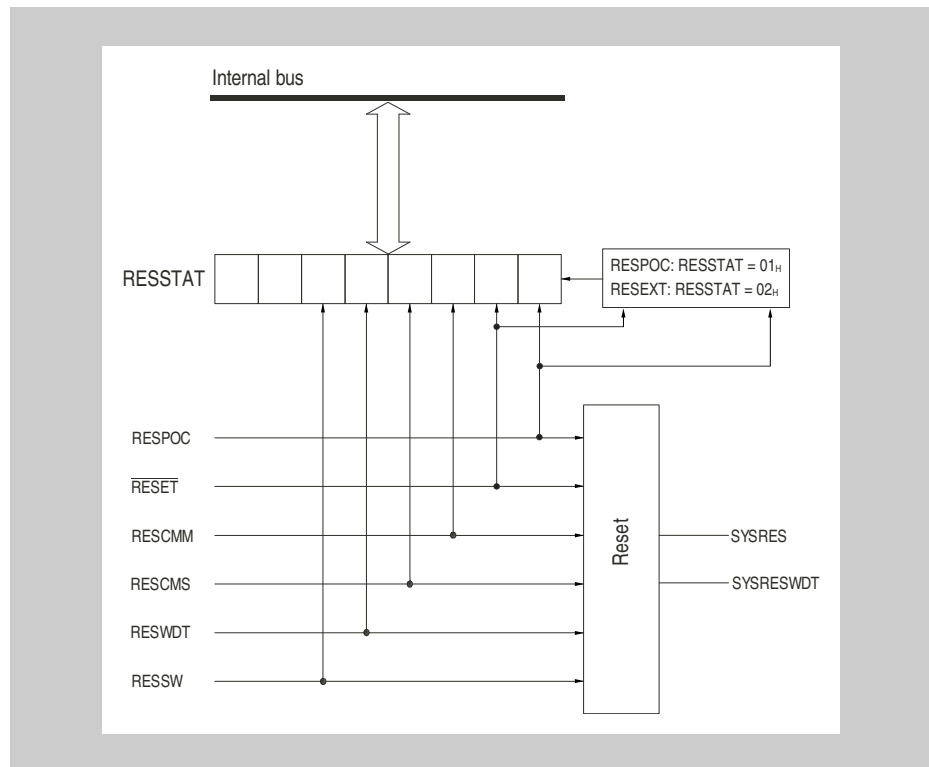


Figure 27-1 Reset function signal diagram

All resets are applied asynchronously. That means, resets are not synchronized to any internal clock. This ensures that the microcontroller can be kept in reset state even if all internal clocks fail to operate.

The reset function provides two internal reset signals:

- System reset **SYSRES**  
SYSRES is activated by all reset sources.
- Watchdog reset **SYSRESWDT**  
SYSRESWDT is activated by Power-On-Clear and external  $\overline{\text{RESET}}$  only.

Both resets provoke different reset behaviour of the Watchdog Timer. For details refer to the "Watchdog Timer (WDT)" on page 565.

#### (1) Variable reset vector

The flash memory devices allow to program the start address of the user's program, instead of starting at address 0000 0000<sub>H</sub>. The variable reset vector is stored in the extra area of the flash memory and can be written by an external flash programmer or in self-programming mode.



**(2) Hardware status**

With each reset function the hardware is initialized (including the watchdog). When the reset status is released, program execution is started.

The following table describes the status of the clocks during reset and after reset release. Note that the clock status "operates" does not inevitably mean that any function using this clock source operates as well. The function may additionally require to be enabled by other means.

**Table 27-1 Hardware status during and after reset**

Item	During reset	After reset
Main oscillator	Stops oscillation	Stopped <sup>a</sup>
Sub oscillator	Operates	Starts oscillation
Internal oscillator	Operates	Starts oscillation The internal oscillator clock is the default clock source after reset release.
SSCG clock	Stops operation	Stopped <sup>a</sup>
PLL clock	Stops operation	Stopped <sup>a</sup>
CPU system clock (VBCLK)	Stops operation	Starts oscillation based on the internal oscillator clock.
CPU	Initialized	Program execution starts after oscillation stabilization time.
Watchdog Timer (WDTCLK)	Stops operation	Starts operation based on internal oscillator clock
Watch Timer (WTCLK)	Stops operation	Starts operation based on internal oscillator clock
Peripheral clocks	Stop operation	<ul style="list-style-type: none"> <li>• PCLK0–2: operating based on internal-osc</li> <li>• PCLK3-15: stopped</li> <li>• SPCLK0–2: operating based on internal-osc</li> <li>• SPCLK3-15: stopped</li> </ul>
On-chip peripheral functions	Stop operation	Depends on availability of peripheral clock and default status of the peripheral function.
I/O pins (port/alternative function pins)	All pins are in input port mode <sup>b</sup> . See chapter "Pin Functions" on page 27 for a description.	

a) The main oscillator is started by the internal firmware. However the application software has to ensure stable main oscillation before utilizing this clock for any purpose. SSCG and PLL must be started by the application software. Assure also here that the stabilization time has passed. See chapter "Clock Generator" on page 139 for details.

b) The status of the N-Wire debug interface pins  $\overline{DRST}$  (P05), DDI (P52), DDO (P53), DCK (P54), DMS (P55) after reset depends on the reset value of the OCDM register, and therefore on the reset source. See chapter "Pin Functions" on page 27 for details.

**(3) Register status**

With each reset function the registers of the CPU, internal RAM, and on-chip peripheral I/Os are initialized.

Since after reset the internal firmware is processed, some resources hold a different value as after reset, when the user's program is started. After a reset, make sure to set the registers to the values needed within your program.

**Table 27-2 Initial values of CPU and internal RAM after reset**

On-chip hardware		Register name	Initial value	
			After Reset	At start of user's program
CPU	Program registers	General-purpose register (r0)	0000 0000 <sub>H</sub>	0000 0000 <sub>H</sub>
		General-purpose registers (r1 to r31)	Undefined	Undefined
		Program counter (PC)	0000 0000 <sub>H</sub>	Variable reset vector programmed to flash extra area
	System registers	Status save registers during interrupt (EIPC, EIPSW)	Undefined	Undefined
		Status save registers during non-maskable interrupt (NMI) (FEPC, FEPSW)	Undefined	Undefined
		Interrupt cause register (ECR)	0000 0000 <sub>H</sub>	0000 0000 <sub>H</sub>
		Program status word (PSW)	0000 0020 <sub>H</sub>	<ul style="list-style-type: none"> <li>• 0000 0020<sub>H</sub>: if no security flags or variable reset vector are set</li> <li>• 0000 0021<sub>H</sub>: else</li> </ul>
		Status save registers during CALLT execution (CTPC, CTPSW)	Undefined	Undefined
		Status save registers during exception/debug trap (DBPC, DBPSW)	Undefined	Undefined
		CALLT base pointer (CTBP)	Undefined	Undefined
Internal RAM	After power-on	After Power-On-Clear reset the entire RAM contents is undefined.	Undefined	Undefined
	After $\overline{\text{RESET}}$	If a $\overline{\text{RESET}}$ occurs while writing to a RAM memory block, the contents of that RAM memory block may be corrupted. All other RAM memory blocks are not affected. Refer also to the note below the table.	All data in previous state	<ul style="list-style-type: none"> <li>• 03FF 0000<sub>H</sub> - 03FF 07FF<sub>H</sub>: undefined</li> </ul> All other data in previous state or undefined (refer to note below).
	After any other reset	Any internal generated reset does not change the RAM contents.	All data in previous state	<ul style="list-style-type: none"> <li>• 03FF 0000<sub>H</sub> - 03FF 07FF<sub>H</sub>: undefined</li> </ul> All other data in previous state.
Peripherals		Macro internal registers	The reset values of the various registers are given in the chapters of the peripheral functions	

www.DataSheet4U.com

**Note** In the table above, “Undefined” means either undefined at the time of a power-on reset, or undefined due to data destruction when the falling edge of the external  $\overline{\text{RESET}}$  signal corrupts an ongoing RAM write access. The internal RAM of the microcontroller comprises several separate RAM blocks. In case writing to one RAM block while a reset occurs the contents of only this RAM block may be corrupted. The other RAM blocks remain unchanged.

### 27.1.2 Reset at power-on

The Power-On-Clear circuit (POC) permanently compares the power supply voltage  $V_{DD}$  with an internal reference voltage ( $V_{IP}$ ). It ensures that the microcontroller only operates as long as the power supply exceeds a well-defined limit.

When the power supply voltage falls below the internal reference voltage ( $V_{DD} < V_{IP}$ ), the internal reset signal RESPOC is generated.

After Power-On-Clear reset, the RESSTAT register is cleared and the RESSTAT.RESPOC bit is set (RESSTAT = 01<sub>H</sub>, refer also to “RESSTAT - Reset source flag register” on page 960 for the interaction between Power-On-Clear and external  $\overline{\text{RESET}}$ ). The system reset signals SYSRES and SYSRESWDT are generated.

- Note**
1. Depending on the supply voltage drop rate it may be required to apply an external  $\overline{\text{RESET}}$  signal additionally in order to avoid microcontroller operation out of the specified operating conditions. For detailed electrical characteristics refer to the Data Sheet.
  2. POC shares the reference voltage supply with the power regulators.

The following figure shows the timing when a reset is performed at power-on.

The Power-On-Clear function holds the microcontroller in reset state as long as the power supply voltage does not exceed the threshold level  $V_{IP}$

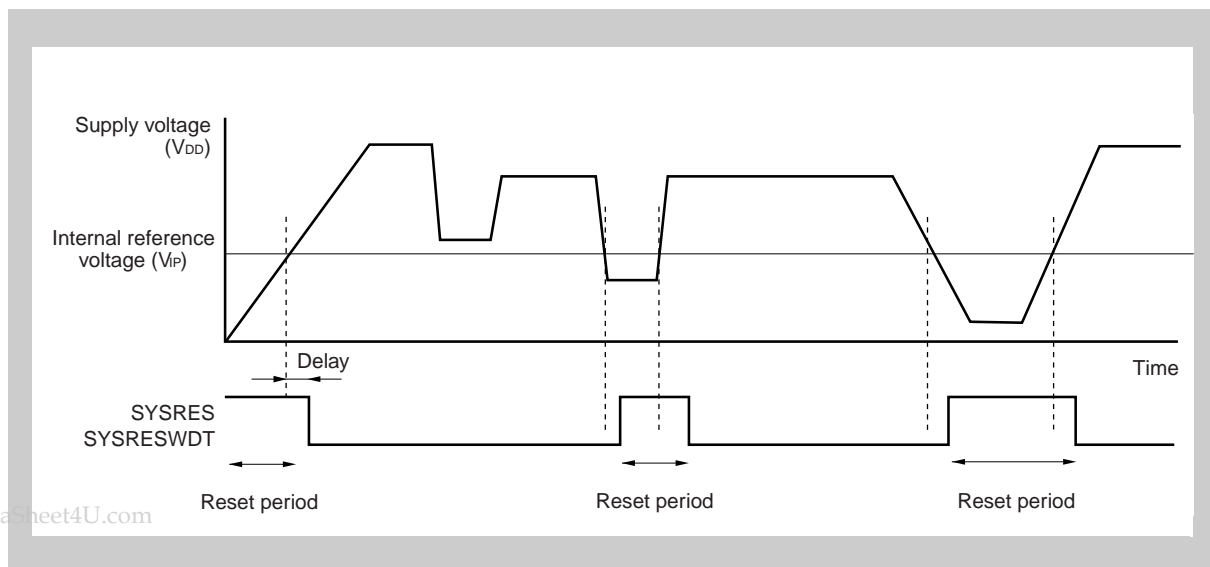


Figure 27-2 Timing of internal reset signal generation by Power-On-Clear circuit

### 27.1.3 External $\overline{\text{RESET}}$

Reset is performed when a low level signal is applied to the  $\overline{\text{RESET}}$  pin.

The reset status is released when the signal applied to the  $\overline{\text{RESET}}$  pin changes from low to high.

After the external  $\overline{\text{RESET}}$  is released, the RESSTAT register is cleared and the RESSTAT.RESEXT bit is set (RESSTAT = 02<sub>H</sub>, refer also to “RESSTAT - Reset source flag register” on page 960 for the interaction between Power-On-Clear and external  $\overline{\text{RESET}}$ ). The system reset signals SYSRES and SYSRESWDT are generated.

The  $\overline{\text{RESET}}$  pin incorporates a noise eliminator, which is applied to the reset signal  $\overline{\text{RESET}}$ . To prevent erroneous external reset due to noise, it uses an analog filter. Even if no clock is active in the controller the external  $\overline{\text{RESET}}$  can keep the controller in reset state.

**Note** The internal system reset signals SYSRES and SYSRESWDT keep their active level for at least four system clock cycles after the  $\overline{\text{RESET}}$  pin is released.

The following figure shows the timing when an external reset is performed. It explains the effect of the noise eliminator. The noise eliminator uses the analog delay to prevent the generation of an external reset due to noise.

The analog delay is caused by the analog input filter. The filter regards pulses up to a certain width as noise and suppresses them. For the minimum  $\overline{\text{RESET}}$  pulse width refer to the Data Sheet.

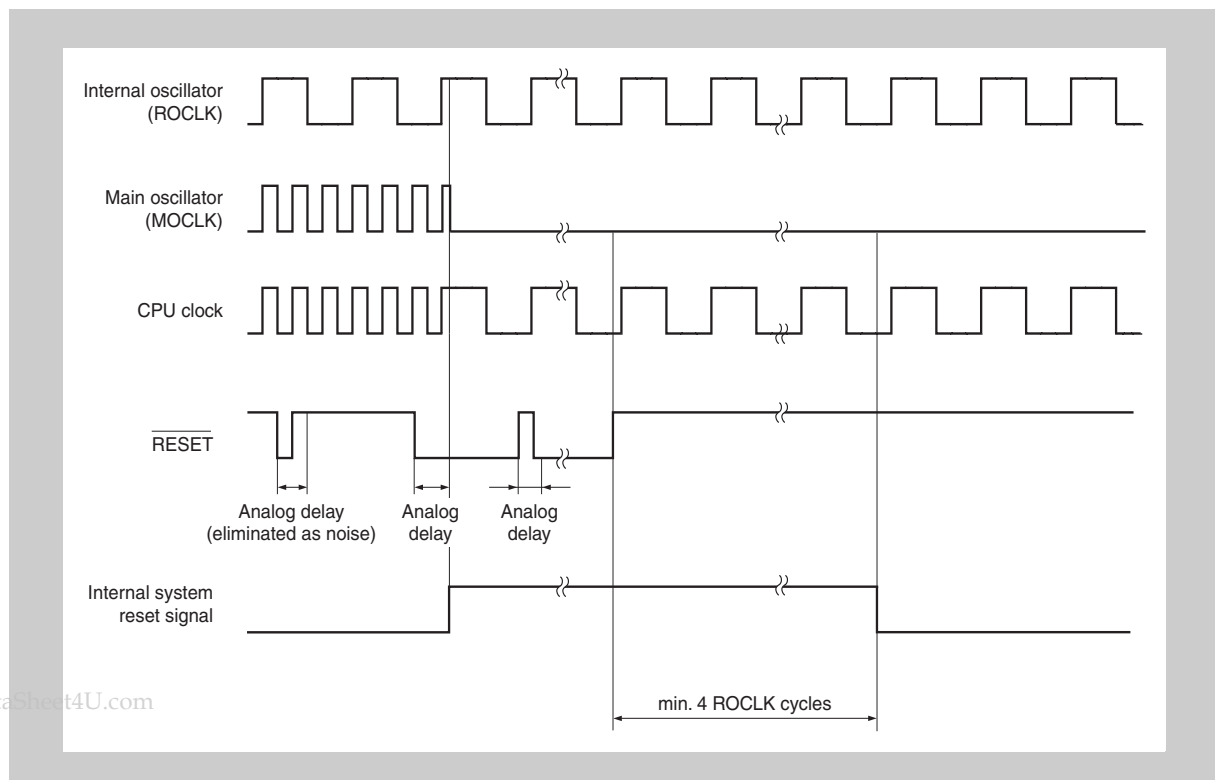


Figure 27-3 External  $\overline{\text{RESET}}$  timing

### 27.1.4 Reset by Watchdog Timer

The Watchdog Timer can be configured to generate a reset if the watchdog time expires. After watchdog reset, the RESSTAT.RESWDT bit is set. The system reset signal SYSRES is generated.

After Watchdog Timer overflow, the reset status lasts for a specific time. Then the reset status is automatically released.

### 27.1.5 Reset by Clock Monitor

The two Clock Monitors generate a reset when either the main oscillator or the sub-oscillator fails. After a Clock Monitor reset, the corresponding bit (RESSTAT.RESCMM or RESSTAT.RESCMS) is set. The system reset signal SYSRES is generated.

After a Clock Monitor reset, the reset status lasts for a specific time. Then the reset status is automatically released.

### 27.1.6 Software reset

Software reset is generated by two consecutive write accesses:

1. Suspend write protection of RESSWT register:  
byte write access to register RESCMD (content of the data is not relevant)
2. Generate software reset:  
byte write access to register RESSWT (content of the data is not relevant)

These two steps are required in order to prevent an unintentional software reset.

The registers RESCMD and RESSWT are always read as 00<sub>H</sub>.

After software reset, the RESSTAT.RESSW bit is set. The system reset signal SYSRES is generated.

## 27.2 Reset Registers

The reset functions are controlled and operated by means of the following registers:

Table 27-3 Reset function registers overview

Register name	Shortcut	Address
Reset source flag register	RESSTAT	FFFF FF20 <sub>H</sub>
Software reset register	RESSWT	FFFF FF22 <sub>H</sub>
Software reset enable register	RESCMD	FFFF FF24 <sub>H</sub>
Reset status register	RES	FFFF FF26 <sub>H</sub>

### (1) RESSTAT - Reset source flag register

The 8-bit RESSTAT register contains information about which type of resets occurred since the last Power-On-Clear or external  $\overline{\text{RESET}}$  or after the last software clear of the register.

Each following reset condition sets the corresponding flag in the register. For example, if a Power-On-Clear reset is finished and then a Watchdog Timer reset occurs, the RESSTAT reads xxx1 0001<sub>B</sub>.

**Access** The register can be read/written in 8-bit units.

**Address** FFFF FF20<sub>H</sub>

**Initial Value** Power-On-Clear reset sets this register to 01<sub>H</sub>.  
External  $\overline{\text{RESET}}$  sets this register to 02<sub>H</sub>.

7	6	5	4	3	2	1	0
X	X	RESSW	RESWDT	RESCM2	RESCM1	RESEXT	RESPOC
R	R	R/W <sup>a</sup>	R/W <sup>a</sup>	R/W <sup>a</sup>	R/W <sup>a</sup>	R/W <sup>a</sup>	R/W <sup>a</sup>

a) Any write clears this register, independent of the data written.

Table 27-4 RESSTAT register contents (1/2)

Bit position	Bit name	Function
5	RESSW	Software reset 0: Not generated. 1: Generated.
4	RESWDT	Reset by Watchdog Timer 0: Not generated. 1: Generated.
3	RESCM2	Reset by Clock Monitor of sub oscillator 0: Not generated. 1: Generated.

Table 27-4 RESSTAT register contents (2/2)

Bit position	Bit name	Function
2	RESCM1	Reset by Clock Monitor of main oscillator 0: Not generated. 1: Generated.
1	RESEXT	External $\overline{\text{RESET}}$ 0: Not generated. 1: Generated.
0	RESPOC	Reset at Power-On-Clear 0: Not generated. 1: Generated.

**Note** If clearing this register by writing and flag setting (occurrence of reset) conflict, flag setting takes precedence.

**RESPOC and RESEXT** Both Power-On-Clear and external  $\overline{\text{RESET}}$  set RESSTAT to different initial states.

- Power-On-Clear reset sets RESSTAT = 01<sub>H</sub>
- External  $\overline{\text{RESET}}$  sets RESSTAT = 02<sub>H</sub>

Special caution is required if both reset events are active concurrently:

- If the Power-On-Clear reset is longer active than the external  $\overline{\text{RESET}}$ : RESSTAT = 01<sub>H</sub>. That means RESSTAT indicates only the occurrence of the Power-On-Clear reset.
- If the external  $\overline{\text{RESET}}$  is longer active than the Power-On-Clear reset: RESSTAT = 02<sub>H</sub>. That means RESSTAT indicates only the occurrence of the external  $\overline{\text{RESET}}$ .
- If the Power-On-Clear reset and external  $\overline{\text{RESET}}$  has been released simultaneously: RESSTAT = 03<sub>H</sub>. That means RESSTAT indicate the occurrence of both reset events.

All other reset events just set their respective bit in RESSTAT and do not change the others.

## (2) RESSWT - Software reset register

Write operation to the 8-bit RESSWT register generates a software reset. The content of data written to RESSWT is not relevant.

Writing to this register is protected by a special sequence of instructions. To enable write access to RESSWT, first write to RESCMD. Please refer to "Write Protected Registers" on page 135 for details.

The register is always read as 00<sub>H</sub>.

**Access** This register can only be written in 8-bit units.

**Address** FFFF FF22<sub>H</sub>

**Initial Value** 00<sub>H</sub>

7	6	5	4	3	2	1	0
0	0	0	0	0	0	0	0
W	W	W	W	W	W	W	W

**(3) RESCMD - Software reset enable register**

Immediately after writing data to the 8-bit RESCMD register, write access to the RESSWT register is enabled. The content of data written to RESCMD register is not relevant.

The register is always read as 00<sub>H</sub>.

**Access** This register can only be written in 8-bit units.

**Address** FFFF FF24<sub>H</sub>

**Initial Value** 00<sub>H</sub>

7	6	5	4	3	2	1	0
0	0	0	0	0	0	0	0
W	W	W	W	W	W	W	W

---

**Caution** In case a high level programming language is used, make sure that the compiler translates the two write instructions to RESCMD and RESSWT into two consecutive assembler “store” instructions.

---

**(4) RES - Reset status register**

The 8-bit RES register indicates the status of a write attempt to a register protected by RESCMD (see also “RESCMD - Software reset enable register” on page 962).

The register is always read as 00<sub>H</sub>.

**Access** This register can be read/written in 8-bit units.

**Address** FFFF FF26<sub>H</sub>

**Initial Value** 00<sub>H</sub>

7	6	5	4	3	2	1	0
0	0	0	0	0	0	0	RERR
R <sup>a</sup>	R <sup>a</sup>	R <sup>a</sup>	R <sup>a</sup>	R <sup>a</sup>	R <sup>a</sup>	R <sup>a</sup>	R/W

a) These bits may be written, but write is ignored.

**Table 27-5 RES register contents**

Bit position	Bit name	Function
0	RERR	Write error status: 0: Write access was successful. 1: Write access failed. You can clear this register by writing 0 to it. Setting this register to 1 by software is not possible.

www.DataSheet4U.com

**Note** RES.RERR is set, if a write access to register RESMD is not directly followed by a write access to one of the write-protected registers.



# Chapter 28 Voltage Comparator

The microcontroller has two instances of a Voltage Comparator.

**Note** Throughout this chapter, the individual instances of the Voltage Comparator are identified by “n”, for example INTVCn for the generated interrupt signal.

## 28.1 Overview

The Voltage Comparator compares an external voltage  $V_{\text{CMPn}}$  at pin VCMPn and the internal reference voltage  $V_{\text{LVI}}$  and generates an interrupt if  $V_{\text{CMPn}} < V_{\text{LVI}}$ .

The comparison is mainly used to identify voltage drops of the external power supply. The CPU has then the possibility to reduce its own power consumption. By this it can avoid that its own power supply is dropping below the operating conditions.

**Features summary** The Voltage Comparator has the following special features:

- Comparison of an external voltage with the internal reference voltage
- Can be completely switched off (in order to achieve zero stand-by current)
- Shares the reference voltage supply with the power regulators
- Delivers status information to the CPU:
  - The compare result can be read by the CPU
  - An interrupt can be generated on falling edge, rising edge, or both edges of external supply voltage
  - Each Voltage Comparator generates a separate interrupt INTVCn
- Can operate in STOP mode.

**Note** For details on the voltage levels refer to the Data Sheet.

### 28.1.1 Description

Each Voltage Comparator consists of an operation amplifier and a logic block. The operation amplifier is connected to the external voltage ( $V_{CMPn}$ ) with one input and to an internal reference voltage ( $V_{LVI}$ ) with the other. It shares the reference voltage supply with the power regulators. The comparator output is fed into a logic block that generates the interrupt signal  $INTVCn$  and sets or clears the flag  $VCSTRn.VCFn$ . The comparison result is also output to the  $VCMPOn$  pins.

The figure below shows a block diagram of the Voltage Comparator.

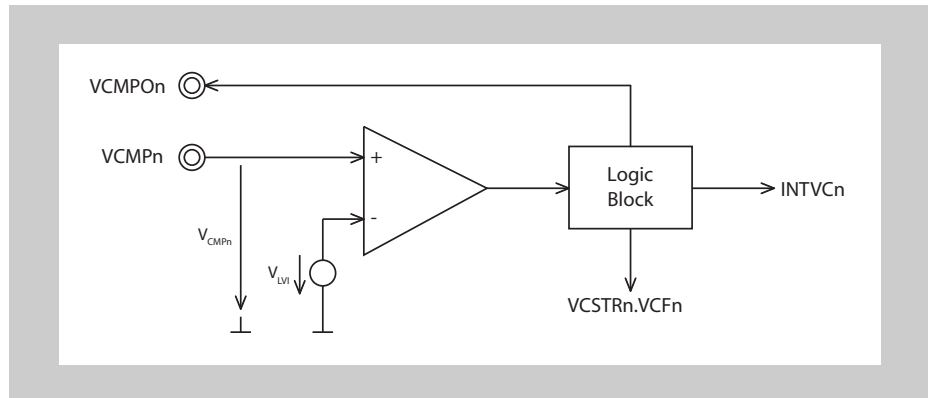


Figure 28-1 Voltage Comparator block diagram

### 28.1.2 Comparison results

Voltage comparison leads to the following results:

- Output signal  $VCMPOn$  and flag  $VCSTRn.VCFn$ 
  - $V_{CMPn} < V_{LVI}$ :  
The output signal  $VCMPOn$  of the Voltage Comparator is low and the flag  $VCSTRn.VCFn$  is cleared.
  - $V_{CMPn} > V_{LVI}$ :  
The output signal  $VCMPOn$  of the Voltage Comparator is high and the flag  $VCSTRn.VCFn$  is set.
- Interrupt signal  $INTVCn$   
Depending on the settings of bits  $VCCTLn.ESn[1:0]$ , the interrupt signal  $INTVCn$  is generated upon one or both of the above transitions of  $V_{CMPn}$ .

### 28.1.3 Stand-by mode

In order to reduce power consumption during STOP mode, the Voltage Comparator can be set into stand-by mode. This is done by setting  $VCCTLn.VCEn = 0$ .

If the Voltage Comparator is set in stand-by mode it assumes that  $V_{CMPn} > V_{LVI}$  ( $VCSTRn.VCFn = 1$  and  $VCMPOn =$  high level).

## 28.2 Voltage Comparator Registers

The Voltage Comparator is controlled by means of the following registers:

Table 28-1 Voltage Comparator registers overview

Register name	Shortcut	Address
Voltage Comparator n control register	VCCTLn	<base>
Voltage Comparator n status register	VCSTRn	<base> + 2 <sub>H</sub>

Table 28-2 Base addresses of Voltage Comparator instances

Instance number	Base address
0	FFFF FF10 <sub>H</sub>
1	FFFF FF14 <sub>H</sub>

### (1) VCCTLn - Voltage Comparator n control register

The 8-bit VCCTLn register controls whether the Voltage Comparator is operating or is in stand-by mode. Further it specifies whether an interrupt is generated when  $V_{CMPn}$  rises above or falls below  $V_{LVI}$  or any at of both transitions.

**Access** This register can be read/written in 8-bit or 1-bit units.

**Address** <base>

**Initial Value** 00<sub>H</sub>. This register is cleared by any reset.

	7	6	5	4	3	2	1	0
VCEn	0	0	0	0	0	0	ESn1	ESn0
	R/W	R	R	R	R	R	R/W	R/W

Table 28-3 VCCTLn register contents

Bit position	Bit name	Function															
7	VCEn	Enable Voltage Comparator 0: stand-by (VCSTRn.VCFn = 1, VCMPOn = high level) 1: Operating															
1 to 0	ESn[1:0]	VCMPOn edge selection for interrupt <table border="1" data-bbox="536 1603 1378 1854"> <thead> <tr> <th>ESn1</th> <th>ESn0</th> <th>Operation</th> </tr> </thead> <tbody> <tr> <td>0</td> <td>0</td> <td>falling edge</td> </tr> <tr> <td>0</td> <td>1</td> <td>rising edge</td> </tr> <tr> <td>1</td> <td>0</td> <td>reserved</td> </tr> <tr> <td>1</td> <td>1</td> <td>both edges</td> </tr> </tbody> </table>	ESn1	ESn0	Operation	0	0	falling edge	0	1	rising edge	1	0	reserved	1	1	both edges
ESn1	ESn0	Operation															
0	0	falling edge															
0	1	rising edge															
1	0	reserved															
1	1	both edges															

- Caution** If the voltage comparator input level  $V_{CMPn}$  is below the reference voltage  $V_{LVI}$  an INTVCn interrupt is generated under both following conditions:
- The comparator is enabled ( $VCCTLn.VCEn = 0 \rightarrow 1$ ) and falling or both edges are specified ( $VCCTLn.VCEn = 00_B$  or  $11_B$ ).
  - The comparator is disabled ( $VCCTLn.VCEn = 1 \rightarrow 0$ ) and rising or both edges are specified ( $VCCTLn.VCEn = 01_B$  or  $11_B$ ).

## (2) VCSTRn - Voltage Comparator n status register

The 8-bit VCSTRn register reflects the result of the voltage comparison.

**Access** This register is read-only, in 8-bit or 1-bit units.

**Address** <base> +  $2_H$

**Initial Value**  $01_H$ . This register is cleared by any reset.

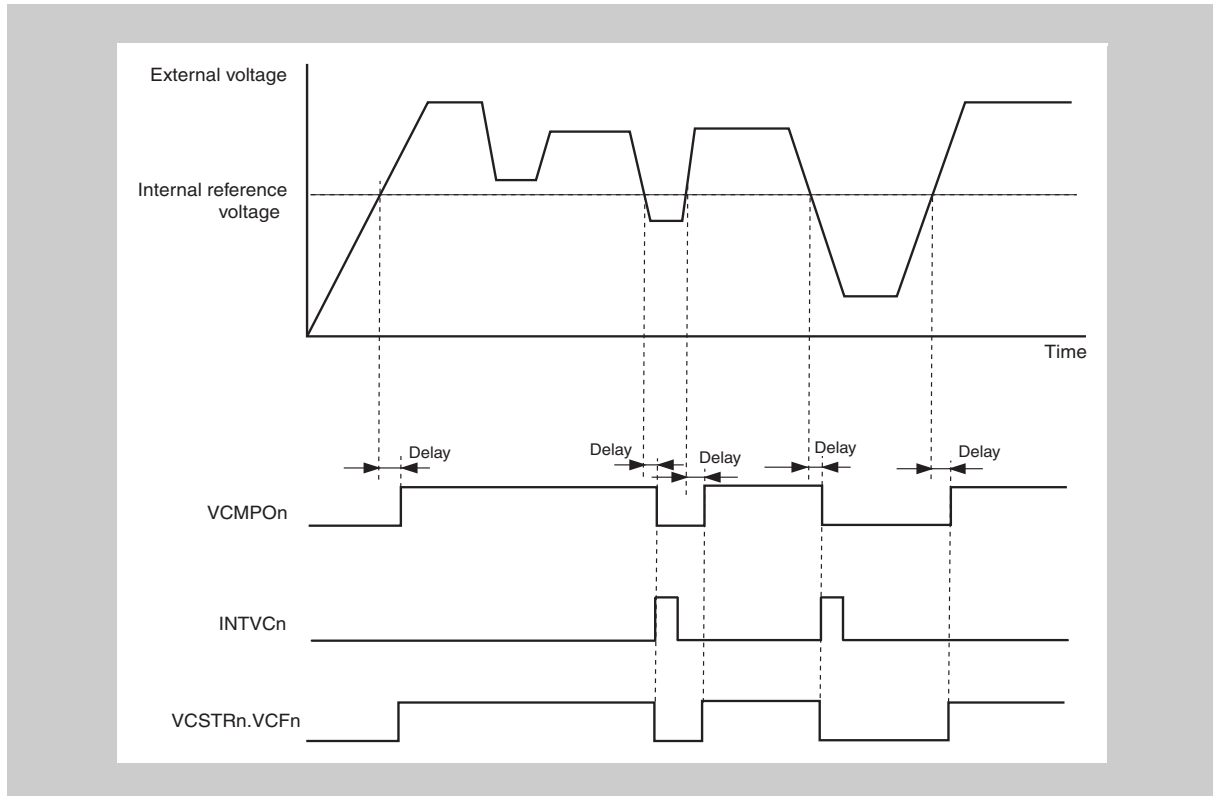
7	6	5	4	3	2	1	0
0	0	0	0	0	0	0	VCFn
R	R	R	R	R	R	R	R

Table 28-4 VCSTRn register contents

Bit position	Bit name	Function
0	VCFn	Voltage Comparator status flag 0: Input voltage is below reference voltage. 1: Input voltage is above reference voltage.

## 28.3 Timing

The following figure shows the timing of the Voltage Comparator. In this example, the interrupt INTVCn is generated at the falling edge (VCCTLn.ESTn[1:0] = 00<sub>B</sub>) of the comparator's output signal.



**Figure 28-2** Voltage Comparator timing

**Note** For details on the delay time refer to the Data Sheet.



# Chapter 29 On-Chip Debug Unit

The microcontroller includes an on-chip debug unit. By connecting an N-Wire emulator, on-chip debugging can be executed.

## 29.1 Functional Outline

### 29.1.1 Debug functions

**(1) Debug interface**

Communication with the host machine is established by using the  $\overline{\text{DRST}}$ , DCK, DMS, DDI, and DDO signals via an N-Wire emulator. The communication specifications of N-Wire are used for the interface.

**(2) On-chip debug**

On-chip debugging can be executed by preparing wiring and a connector for on-chip debugging on the target system. An N-Wire emulator is used to connect the host PC to the on-chip debug unit.

**(3) Forced reset function**

The microcontroller can be forcibly reset.

**(4) Break reset function**

The CPU can be started in the debug mode immediately after reset of the CPU is released.

**(5) Forced break function**

Execution of the user program can be forcibly aborted.

**(6) Hardware break function**

Two breakpoints for instruction and data access can be used. The instruction breakpoint can abort program execution at any address. The access breakpoint can abort program execution by data access to any address.

**(7) Software break function**

Up to eight software breakpoints can be set in the internal flash memory area. The number of software breakpoints that can be set in the RAM area differs depending on the debugger to be used.

The software breakpoints utilize the “DBTRAP” ROM correction function. Thus following software breakpoints can be set:

- 8 breakpoints in the VFB flash memory address range
- 8 breakpoints in the VSB flash memory address range ( $\mu\text{PD70F3426A}$  only)

**(8) Debug monitor function**

A memory space for debugging that is different from the user memory space is used during debugging (background monitor mode). The user program can be executed starting from any address.

While execution of the user program is aborted, the user resources (such as memory and I/O) can be read and written, and the user program can be downloaded.

**(9) Mask function**

Each of the following signals can be masked. That means these signals will not be effective during debugging.

The correspondence with the mask functions of the debugger (ID850NWC) for the N-Wire emulator (IE-V850E1-CD-NW) of NEC Electronics is shown below.

- NMI0 mask function: NMI pin
- NMIWDT mask function: Watchdog Timer interrupt NMIWDT
- Reset mask function: all reset sources

**(10) Timer function**

The execution time of the user program can be measured.

**(11) Peripheral macro operation/stop selection function during break**

Depending on the debugger to be used, certain peripheral macros can be configured to continue or to stop operation upon a breakpoint hit.

- Functions that are always stopped during break
  - Watchdog Timer
- Functions that can operate or be stopped during break (however, each function cannot be selected individually)
  - A/D Converter
  - All timers P
  - All timers Z
  - Timer Y
  - Watch Timer
- Peripheral functions that continue operating during break (functions that cannot be stopped)
  - Peripheral functions other than above

**(12) Function during power saving modes**

When the device is set into a power saving mode, debug operation is not possible. When exiting the power save mode, the on-chip debug unit continues operation.

The N-Wire interface is still accessible during power saving modes:

- N-Wire emulator can get status information from the on-chip debug unit.
- Stop mode can be released by the N-Wire emulator.



### 29.1.2 Security function

This microcontroller has a N-Wire security function, that demands the user to input an ID code upon start of the debugger. The ID code is compared to a predefined ID code, written in advance to the internal flash memory by an external flash programmer. This function prevents unauthorized persons to operate the microcontroller in N-Wire debug mode and to read the internal flash memory area.

The ID code in the internal flash memory can be written by an external flash programmer or in self-programming mode.

**ID code** Be sure to write an ID code when writing a program to the internal flash memory.

The area of the ID code is 10 bytes wide and in the range of addresses 0000 0070<sub>H</sub> to 0000 0079<sub>H</sub>.

The ID code when the memory is erased is shown below.

Address	ID code
0000 0079 <sub>H</sub>	FF <sub>H</sub>
0000 0078 <sub>H</sub>	FF <sub>H</sub>
0000 0077 <sub>H</sub>	FF <sub>H</sub>
0000 0076 <sub>H</sub>	FF <sub>H</sub>
0000 0075 <sub>H</sub>	FF <sub>H</sub>
0000 0074 <sub>H</sub>	FF <sub>H</sub>
0000 0073 <sub>H</sub>	FF <sub>H</sub>
0000 0072 <sub>H</sub>	FF <sub>H</sub>
0000 0071 <sub>H</sub>	FF <sub>H</sub>
0000 0070 <sub>H</sub>	FF <sub>H</sub>

**Security bit** Bit 7 of address 0000 0079<sub>H</sub> enables or disables use of the N-Wire emulator.

- Bit 7 of address 0000 0079<sub>H</sub>
  - 0: disabled N-Wire emulator cannot connect to the on-chip debug unit.
  - 1: enabled N-Wire emulator can connect to the on-chip debug unit if the 10-byte ID code input matches the ID code stored in the flash memory

The security bit can be modified by an external flash programmer or in self-programming mode.

After reset the entire ID code area is set to FF<sub>H</sub>. This means that

- N-Wire debugging is generally enabled
- the ID code is FF<sub>H</sub> for all ID code bytes

Consequently controller access is possible without any restriction.

**Caution** If access via the N-Wire interface should be disabled "block erase disabled" should be configured as well. Otherwise the flash memory blocks containing the ID code could be erased and N-Wire access could be enabled.

**Security disable** The entire ID code, i.e. also the security bit 7 of address 0000 0079<sub>H</sub>, can be made temporarily ineffective by software. This is achieved by setting the control bit RSUDISC.DIS = 1. Setting RSUDISC.DIS = 1 does not change the security bit. Thus after a Power-On-Clear reset the N-Wire security is effective again.

The N-Wire security function can not be suspended when the microcontroller is operating in N-Wire debug mode.

**(1) RSUDISC- N-Wire security disable control register**

The 8-bit RSUDISC register is used to temporarily disable the N-Wire security function.

**Access** This register can be read/written in 8-bit or 1-bit units.

Writing to this register is protected by a special sequence of instructions. Please refer to “RSUDISCP - RSUDISC write protection register” on page 973 for details.

**Address** FFFF F9E0<sub>H</sub>.

**Initial Value** 00<sub>H</sub>. This register is cleared by Power-On-Clear reset.

7	6	5	4	3	2	1	0
0	0	0	0	0	0	0	DIS
R	R	R	R	R	R	R	R/W

**Table 29-1 RSUDISC register contents**

Bit position	Bit name	Function
0	DIS	N-Wire security function disable: 0: N-Wire security function enabled. 1: N-Wire security function disabled.

RSUDISC.DIS can not be changed, while the microcontroller is operating in N-Wire debug mode, i.e. while the concerned ports are operating as N-Wire debug pins (OCDM.OCDM0 = 1).

Thus proceed as follows to

- enable N-Wire debugging (from status OCDM.OCDM0 = 0):
  - set RSUDISC.DIS = 1 (disable N-Wire security)
  - set OCDM.OCDM0 = 1 (ports are N-Wire pins)
- disable N-Wire debugging (from status OCDM.OCDM0 = 1):
  - set OCDM.OCDM0 = 0 (ports are not N-Wire pins)
  - set RSUDISC.DIS = 0 (enable N-Wire security)

**(2) RSUDISCP - RSUDISC write protection register**

The 8-bit RSUDISCP register protects the register RSUDISC from inadvertent write access.

After data has been written to the RSUDISCP register, the first write access to register RSUDISC is valid. All subsequent write accesses are ignored. Thus, the value of RSUDISC can only be rewritten in a specified sequence, and illegal write access is inhibited.

**Access** This register can only be written in 8-bit units.

**Address** FFFF FCA4<sub>H</sub>

**Initial Value** The contents of this register is undefined.

7	6	5	4	3	2	1	0
X	X	X	X	X	X	X	X
W	W	W	W	W	W	W	W

After writing to the RSUDISCP register, you are permitted to write once to RSUDISC. The write access to RSUDISC must happen with the immediately following instruction.

## 29.2 Controlling the N-Wire Interface

The N-Wire interface pins  $\overline{\text{DRST}}$ , DDI, DDO, DCK, DMS are shared with port functions, see Table 29-2. During debugging the respective device pins are forced into the N-Wire interface mode and port functions are not available. Note that N-Wire debugging must be generally permitted by the security bit in the ID code region (\*0x0000 0079[bit7] = 1) of the flash memory.

An internal pull-down resistor - detachable by software - is provided at the  $\overline{\text{DRST}}$  pin to keep the N-Wire interface in reset, if no debugger is connected.

Table 29-2 N-Wire interface pins

GPIO	N-Wire function		
	Pin	Direction	Description
P05	$\overline{\text{DRST}}$	Input	N-Wire RCU reset
P52	DDI	Input	N-Wire debug data in
P53	DDO	Output	N-Wire debug data out
P54	DCK	Input	N-Wire interface clock
P55	DMS	Input	N-Wire mode

### (1) OCDM - On-chip debug mode register

The OCDM0 control bit in the OCDM register determines the function of these device pins.

The register can be read or written in 8-bit and 1-bit units.

Address FFFF F9FC<sub>H</sub>

	7	6	5	4	3	2	1	0
Bit name	0	0	0	0	0	0	0	OCDM0
Reset value	0	0	0	0	0	0	0	0/1 <sup>a</sup>

<sup>a)</sup> Reset value depends on reset source (see below)

OCDM0	Usage of N-Wire pins
0	Pins used as port/alternative function pins
1	Pins used as N-Wire interface pins

The reset value of OCDM.OCDM0 depends on the reset source.

### (2) Power-On-Clear RESPOC

RESPOC (Power-On-Clear) reset sets OCDM.OCDM0 = 0, i.e. the pins are defined as port pins. The debugger can not communicate with the controller and the N-Wire debug circuit is disabled. The first CPU instructions after RESPOC can not be controlled by the debugger. The application software must set OCDM.OCDM0 = 1 in order to enable the N-Wire interface and allow debugger access to the on-chip debug unit.

During and after POC reset (OCDM.OCDM0 = 0) pins P05, P52...P55 are configured as input ports.

**(3) External  $\overline{\text{RESET}}$** 

External reset by the  $\overline{\text{RESET}}$  pin sets  $\text{OCDM.OCDM0} = 1$ , i.e. the pins are defined as N-Wire interface pins. If connected the debugger can communicate with the on-chip debug unit and take over CPU control.

During and after  $\overline{\text{RESET}}$  the pins P05, P52...P55 are configured as follows:

- $\overline{\text{DRST}}$ , DDI, DCK, DMS are inputs.
- DDO is output, but in high impedance state as long as  $\overline{\text{DRST}} = 0$ .

**(4) Other resets**

Resets from all other reset sources do not affect the pins P05, P52...P55.

An internal pull-down resistor is provided for the pin P05/ $\overline{\text{DRST}}$ . During and after any reset the resistor is connected to P05/ $\overline{\text{DRST}}$ , ensuring that the N-Wire interface is kept in reset state, if no debugger is connected. The internal pull-down resistor is connected by reset from any source and can be disconnected via the port configuration register bit PFC0.PDC05.

The  $\overline{\text{DRST}}$  signal depicts the N-Wire interface reset signal. If  $\overline{\text{DRST}} = 0$  the on-chip debug unit is kept in reset state and does not impact normal controller operation.  $\overline{\text{DRST}}$  is driven by the debugger, if one is connected. The debugger may start communication with the controller by setting  $\overline{\text{DRST}} = 1$ .

---

**Caution** If no external  $\overline{\text{RESET}}$  signal is available, the user software must activate the N-Wire interface pins by setting  $\text{OCMD.OCDM0} = 1$ . Otherwise debugging via N-Wire is not possible.

---

- Pin configuration**
- In N-Wire debug mode the configuration of the N-Wire interface pins can not be changed by the pin configuration registers. The registers contents can be changed but will have no effect on the pin configuration.
  - In N-Wire debug mode the output current limiting function of the DDO pin is disabled. By this means the port pin provides maximum driver capability in order to maximize the transmission data rate to the N-Wire debugger. Note that the settings of the port registers are not affected.

**Note** This chapter describes the N-Wire interface control only. An additional security function decides, if the debugger access to the microcontroller is granted or not. Please refer to “Code Protection and Security“ on page 393.



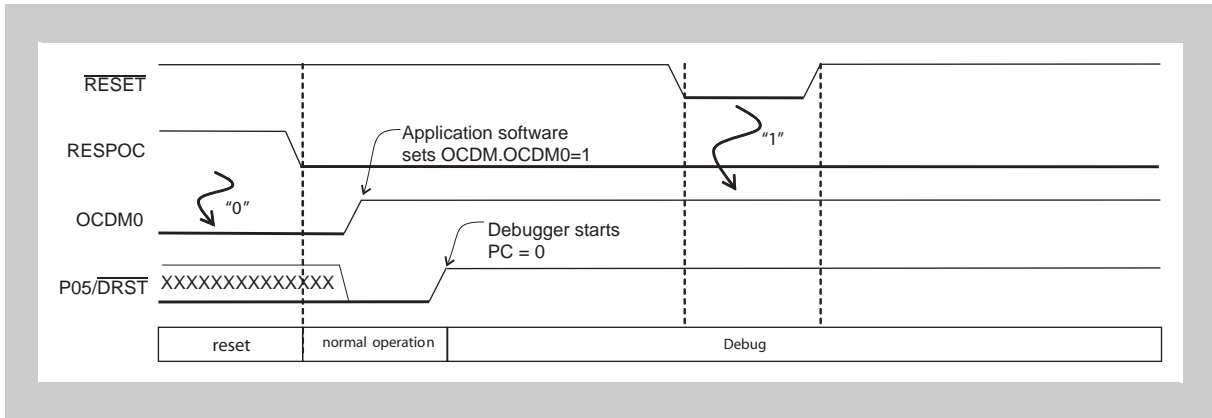


Figure 29-2 Start with N-Wire activation

### 29.3.3 N-Wire activation by $\overline{\text{RESET}}$ pin

The N-Wire interface can also be activated after power up by keeping  $\overline{\text{RESET}}$  active for at least 2 sec after RESPOC release. By this OCDM.OCDM0 is set to "1", thus the N-Wire interface is enabled.

With this method the user's program does not need to perform `OCDM.OCDM0 = 1`.

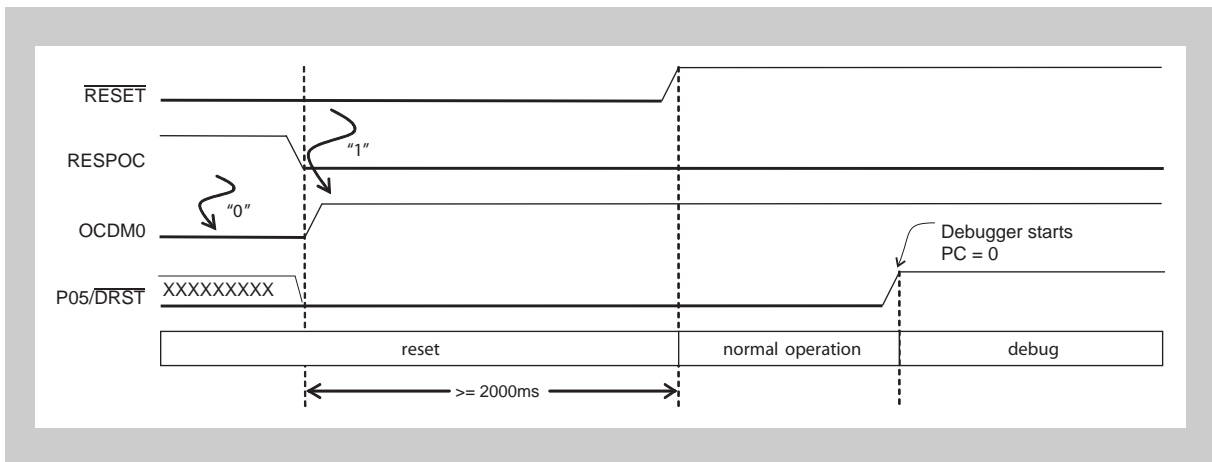


Figure 29-3 N-Wire activation by  $\overline{\text{RESET}}$  pin

## 29.4 Connection to N-Wire Emulator

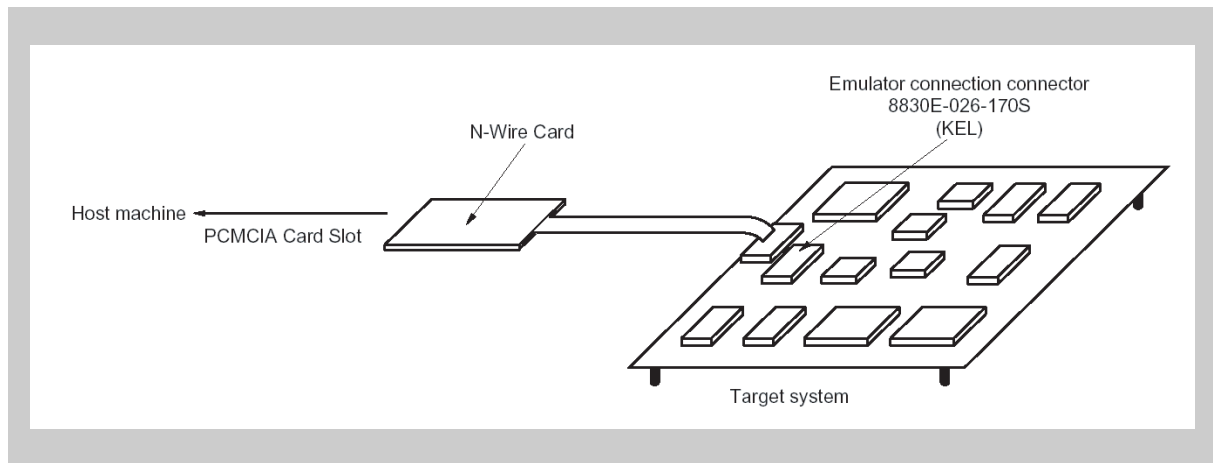
To connect the N-Wire emulator, a connector for emulator connection and a connection circuit must be mounted on the target system.

As a connector example the KEL connector is described in more detail. Other connectors, like for instance MICTOR connector (product name: 2-767004-2, Tyco Electronics AMP K.K.), are available as well. For the mechanical and electrical specification of these connectors refer to user's manual of the emulator to be used.

### 29.4.1 KEL connector

KEL connector product names:

- 8830E-026-170S (KEL): straight type
- 8830E-026-170L (KEL): right-angle type



**Figure 29-4** Connection to N-Wire emulator (NEC Electronics IE-V850E1-CD-NW: N-Wire Card)



(1) Pin configuration

Figure 29-5 shows the pin configuration of the connector for emulator connection (target system side), and Table 29-3 on page 980 shows the pin functions.

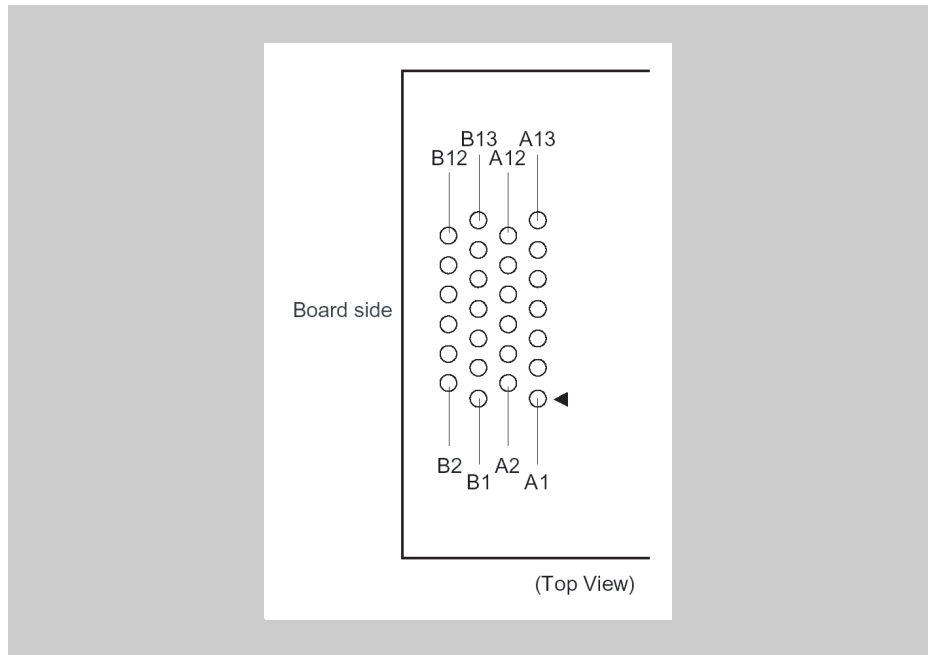


Figure 29-5 Pin configuration of connector for emulator connection (target system side)

---

**Caution** Evaluate the dimensions of the connector when actually mounting the connector on the target board.

---

**(2) Pin functions**

The following table shows the pin functions of the connector for emulator connection (target system side). “I/O” indicates the direction viewed from the device.

**Table 29-3 Pin functions of connector for emulator connection (target system side)**

Pin no.	Pin name	I/O	Pin function
A1	(Reserved 1)	–	(Connect to GND)
A2	(Reserved 2)	–	(Connect to GND)
A3	(Reserved 3)	–	(Connect to GND)
A4	(Reserved 4)	–	(Connect to GND)
A5	(Reserved 5)	–	(Connect to GND)
A6	(Reserved 6)	–	(Connect to GND)
A7	DDI	Input	Data input for N-Wire interface
A8	DCK	Input	Clock input for N-Wire interface
A9	DMS	Input	Transfer mode select input for N-Wire interface
A10	DDO	Output	Data output for N-Wire interface
A11	$\overline{\text{DRST}}$	Input	On-chip debug unit reset input
A12	$\overline{\text{RESET}}$	Input	Reset input. (In a system that uses only POC reset and not pin reset, some emulators input an external reset signal as shown in <i>Figure 29-6 on page 981</i> to set the OCDM0 bit to 1.)
A13	FLMD0 <sup>a</sup>	Input	Control signal for flash download (flash memory versions only)
B1	GND	–	–
B2	GND	–	–
B3	GND	–	–
B4	GND	–	–
B5	GND	–	–
B6	GND	–	–
B7	GND	–	–
B8	GND	–	–
B9	GND	–	–
B10	GND	–	–
B11	(Reserved 8)	–	(Connect to GND)
B12	(Reserved 9)	–	(Connect to GND)
B13	V <sub>DD</sub>	–	5 V input (for monitoring power supply to target)

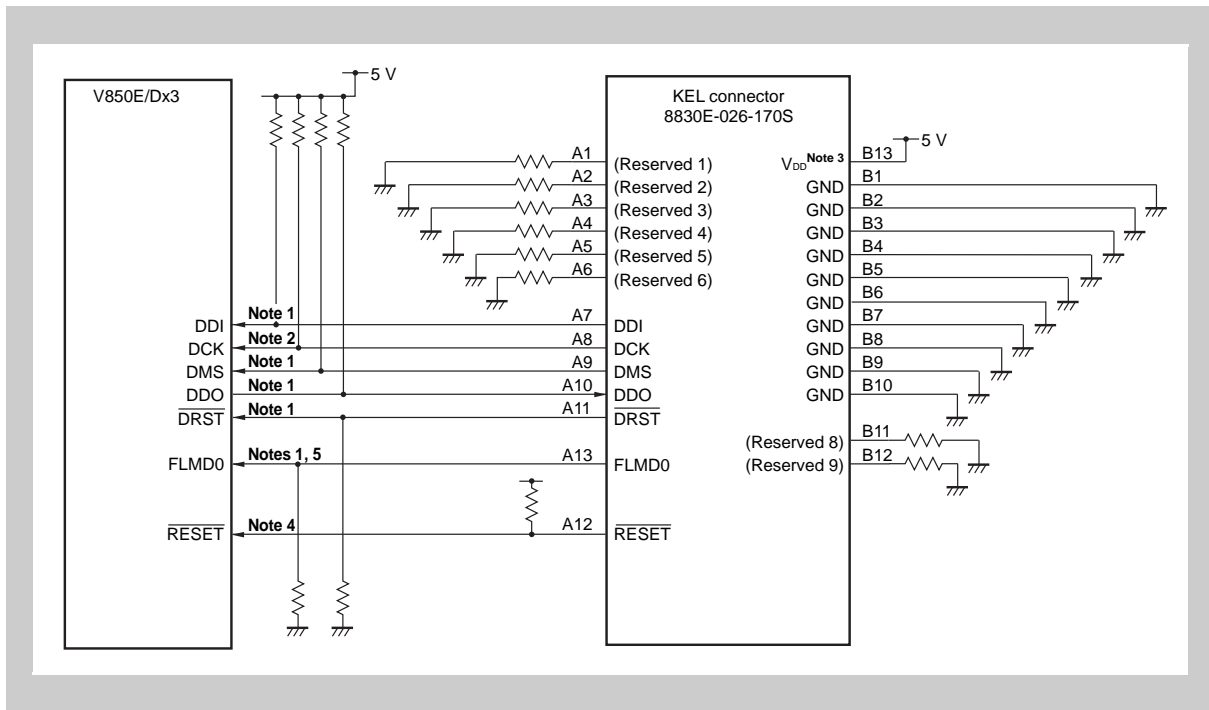
a) The FLMD0 signal is not required, if the N-Wire debugger serves the FLMD0 signal internally by using the SELFEN register to enable flash self-programming (refer to “Flash Self-Programming” on page 275). However the FLMD0 signal may be connected.

**Caution**

1. The connection of the pins not supported by the microcontroller is dependent upon the emulator to be used.
2. The pattern of the target board must satisfy the following conditions.
  - The pattern length must be 100 mm or less.
  - The clock signal must be shielded by GND.

**(3) Example of recommended circuit**

An example of the recommended circuit of the connector for emulator connection (target system side) is shown below.



**Figure 29-6 Example of recommended emulator connection circuit**

- Note**
1. The pattern length must be 100 mm or less.
  2. Shield the DCK signal by enclosing it with GND.
  3. This pin is used to detect power to the target board. Connect the voltage of the N-Wire interface to this pin.
  4. In a system that uses only POC reset and not pin reset, some emulators input an external reset signal as shown in *Figure 29-6* to set the OCDM.OCDM0 bit to 1.
  5. The FLMD0 signal is not required, but may be connected.

---

**Caution** The N-Wire emulator may not support a 5 V interface and may require a level shifter. Refer to the user's manual of the emulator to be used.

---

## 29.5 Restrictions and Cautions on On-Chip Debug Function

- Do not mount a device that was used for debugging on a mass-produced product (this is because the flash memory was rewritten during debugging and the number of rewrites of the flash memory cannot be guaranteed).
- If a reset signal (reset input from the target system or reset by an internal reset source) is input during RUN (program execution), the break function may malfunction.
- Even if reset is masked by using a mask function, the I/O buffer (port pin, etc.) is reset when a pin reset signal is input.
- With a debugger that can set software breakpoints in the internal flash memory, the breakpoints temporarily become invalid when pin reset or internal reset is effected. The breakpoints become valid again if a break such as a hardware break or forced break is executed. Until then, no software break occurs.
- The  $\overline{\text{RESET}}$  signal input is masked during a break.
- The POC reset operation cannot be emulated.
- The on-chip debugging unit uses the exception vector address  $60_{\text{H}}$  for software breakpoint (DBTRAP, refer to "Interrupt Controller (INTC)" on page 201). Thus the debugger takes over control when one of the following exceptions occur:
  - debug trap (DBTRAP)
  - illegal opcode detection (ILGOP)
  - ROM Correction

The debugger executes its own exception handler. Therefore, the user's exception handler at address  $60_{\text{H}}$  will not be executed.

- The maximum input clock DCK of the N-Wire debugger interface is limited to 10 MHz. Thus on-chip debugging is not possible in case that the input clock DCK is set to above 10 MHz.

Implement all of the following measures:

- While debugging with any N-Wire based emulator, limit the maximum input clock of DCK to 10 MHz.
- Consult the latest tool documentation in order to verify that no On-Chip Debugger option is configured in your environment that will configure a higher DCK input clock than 10 MHz.
- Set the following environment variable: IE850\_JCNDREGINIT = 320

Special hint for 850Eserv:

Above mentioned configuration can be achieved by setting the On-Chip Debugger emulator option: "-2m".

Never set the On-Chip Debugger emulator option "-dck20", since it would configure a DCK input clock of 20 MHz.

- Execution stop of firmware at user breakpoint

If during program execution a reset occurs (either from any internal reset source or from the external  $\overline{\text{RESET}}$  pin), the On-Chip Debugger may stop at the address of a previously configured S/W or H/W breakpoint during the execution of the firmware start-up code. In this case, the following error message may be output:

"Couldn't read flash memory at xxx 0xc25 user system error (mask rom >area)"

To avoid this situation do not set any kind of breakpoint (neither S/W nor H/W breakpoint) within any of the following address ranges:

- 0000<sub>H</sub> to 000F<sub>H</sub>
- 06D0<sub>H</sub> to 2B23<sub>H</sub>

Special hint:

Reserve the address range 06D0<sub>H</sub> to 2B23<sub>H</sub> for constant data placement. In case using NEC's directive files, which are part of the device file package, this is the default assignment. If the program requires less constant data than that address space offers, modify the linker directive file in a way, that program code does not start before the address 2B24<sub>H</sub>.

[www.DataSheet4U.com](http://www.DataSheet4U.com)

# Appendix A Registers Access Times

This chapter provides formulas to calculate the access time to registers, which are accessed via the peripheral I/O areas.

All accesses to the peripheral I/O areas are passed over to the NPB bus via the VSB - NPB bus bridge BBR. Read and write access times to registers via the NPB depend on the register, the system clock VBCLK and the setting of the VSWC register.

The CPU operation during an access to a register via the NPB depends also on the kind of peripheral I/O area:

- Fixed peripheral I/O area  
During a read or write access the CPU operation stops until the access via the NPB is completed.
- Programmable peripheral I/O area  
During a read access the CPU operation stops until the read access via the NPB is completed.  
During a write access the CPU operation continues operation, provided any preceded NPB access is already finished. If a preceded NPB access is still ongoing the CPU stops until this access is finished and the NPB is cleared.

The following formulas are given to calculate the access times  $T_a$ , when the CPU reads from or writes to special function registers via the NPB bus.

The access time depends

- on the CPU system clock frequency  $f_{VBCLK}$
- on the setting of the internal peripheral function wait control register VSWC, which determines the address set up wait  $SUWL = VSWC.SUWL$  and data wait  $VSWL = VSWC.VSWL$  (refer to “VSWC - Internal peripheral function wait control register“ on page 303 for the correct values for a certain CPU system clock VBCLK)
- for some registers on the clock frequency applied to the module

**Note** “ru[...]” in the formulas mean “round up” the calculated value of the term in squared brackets.

All formulas calculate the maximum access time.

**CPU access** For calculating the access times for CPU accesses 1 VBCLK period time  $1/f_{VBCLK}$  has to be added to the results of the formulas.

**DMA access** For accesses of the DMA Controller the given formulas calculate the exact values.

## A.1 Timer P

**Register** TPnCCR0, TPnCCR1

**Access** R

$$\text{Formula } T_a = \left\{ \text{SUWL} + \text{VSWL} + 3 + \text{ru} \left[ \frac{f_{\text{VBCLK}}}{(2 + \text{VSWL}) \cdot f_{\text{PCLK0}}} + 1 \right] \cdot (2 + \text{VSWL}) \right\} \cdot \frac{1}{f_{\text{VBCLK}}}$$

**Access** W

$$\text{Formula } T_a = \left\{ \text{SUWL} + \text{VSWL} + 3 + \text{ru} \left[ \frac{5 \cdot f_{\text{VBCLK}}}{(2 + \text{VSWL}) \cdot f_{\text{PCLK0}}} + 1 \right] \cdot (2 + \text{VSWL}) \right\} \cdot \frac{1}{f_{\text{VBCLK}}}$$

**Register** TPnCNT

**Access** R

$$\text{Formula } T_a = \left\{ \text{SUWL} + \text{VSWL} + 3 + \text{ru} \left[ \frac{f_{\text{VBCLK}}}{(2 + \text{VSWL}) \cdot f_{\text{PCLK0}}} + 1 \right] \cdot (2 + \text{VSWL}) \right\} \cdot \frac{1}{f_{\text{VBCLK}}}$$

**Access** W

$$\text{Formula } T_a = (\text{SUWL} + \text{VSWL} + 3) \cdot \frac{1}{f_{\text{VBCLK}}}$$

**Register** all other

**Access** R/W (no write access during timer operation)

$$\text{Formula } T_a = (\text{SUWL} + \text{VSWL} + 3) \cdot \frac{1}{f_{\text{VBCLK}}}$$



## A.2 Timer Z

**Register** TZnCNT0

**Access** R

$$\text{Formula } T_a = (\text{SUWL} + 3 \cdot \text{VSWL} + 6) \cdot \frac{1}{f_{\text{VBCLK}}} + \frac{4, 5}{f_{\text{PCLKz}}}$$

**Register** TZnCNT1

**Access** R

$$\text{Formula } T_a = (\text{SUWL} + \text{VSWL} + 3) \cdot \frac{1}{f_{\text{VBCLK}}}$$

**Register** TZnR

**Access** R

$$\text{Formula } T_a = (\text{SUWL} + \text{VSWL} + 3) \cdot \frac{1}{f_{\text{VBCLK}}}$$

**Access** W

$$\text{Formula } T_a = (\text{SUWL} + 3 \cdot \text{VSWL} + 6) \cdot \frac{1}{f_{\text{VBCLK}}} + \frac{4, 5}{f_{\text{PCLKz}}}$$

**Register** TZnCTL

**Access** R/W

$$\text{Formula } T_a = (\text{SUWL} + \text{VSWL} + 3) \cdot \frac{1}{f_{\text{VBCLK}}}$$

### A.3 Timer Y

**Register** TYnCNT0

**Access** R

**Formula**  $T_a = (SUWL + 3 \cdot VSWL + 6) \cdot \frac{1}{f_{VBCLK}} + \frac{1}{f_{SPCLK1}}$

**Register** TYnCNT1

**Access** R

**Formula**  $T_a = (SUWL + VSWL + 3) \cdot \frac{1}{f_{VBCLK}}$

**Register** TYnR

**Access** R

**Formula**  $T_a = (SUWL + VSWL + 3) \cdot \frac{1}{f_{VBCLK}}$

**Access** W

**Formula**  $T_a = (SUWL + 3 \cdot VSWL + 6) \cdot \frac{1}{f_{VBCLK}} + \frac{1}{f_{SPCLK1}}$

**Register** TYnCTL

**Access** R/W

**Formula**  $T_a = (SUWL + VSWL + 3) \cdot \frac{1}{f_{VBCLK}}$

## A.4 Timer G

**Register** TMGn0, TMGn1

**Access** R

$$\text{Formula } T_a = \left\{ \text{SUWL} + \text{VSWL} + 3 + \text{ru} \left[ \frac{f_{\text{VBCLK}}}{(2 + \text{VSWL}) \cdot f_{\text{SPCLK0}}} + 1 \right] \cdot (2 + \text{VSWL}) \right\} \cdot \frac{1}{f_{\text{VBCLK}}}$$

**Access** W (no write access during timer operation)

$$\text{Formula } T_a = (\text{SUWL} + \text{VSWL} + 3) \cdot \frac{1}{f_{\text{VBCLK}}}$$

**Register** GCCn[5:0]

**Access** R

$$\text{Formula } T_a = \left\{ \text{SUWL} + \text{VSWL} + 3 + \text{ru} \left[ \frac{f_{\text{VBCLK}}}{(2 + \text{VSWL}) \cdot f_{\text{SPCLK0}}} + 1 \right] \cdot (2 + \text{VSWL}) \right\} \cdot \frac{1}{f_{\text{VBCLK}}}$$

**Access** W (for GCCn0 and GCCn5 no write access during timer operation)

**Formula** • for multiple write within 7 SPCLK0 periods

$$T_a = \left\{ \text{SUWL} + \text{VSWL} + 3 + \text{ru} \left[ \frac{f_{\text{VBCLK}}}{(2 + \text{VSWL}) \cdot f_{\text{SPCLK0}}} + 1 \right] \cdot (2 + \text{VSWL}) \right\} \cdot \frac{1}{f_{\text{VBCLK}}}$$

• for single write within 7 SPCLK0 periods

$$T_a = (\text{SUWL} + \text{VSWL} + 3) \cdot \frac{1}{f_{\text{VBCLK}}}$$

**Register** all other

**Access** R/W (no write access during timer operation)

$$\text{Formula } T_a = (\text{SUWL} + \text{VSWL} + 3) \cdot \frac{1}{f_{\text{VBCLK}}}$$

## A.5 Watch Timer

**Register** WTnCNT1

**Access** R

**Formula**  $T_a = (SUWL + VSWL + 3) \cdot \frac{1}{f_{VBCLK}}$

**Register** WTnR

**Access** R

**Formula**  $T_a = (SUWL + VSWL + 3) \cdot \frac{1}{f_{VBCLK}}$

**Access** W

**Formula**  $T_a = (SUWL + 3 \cdot VSWL + 7) \cdot \frac{1}{f_{VBCLK}}$

**Register** CR00

**Access** Read-Modify-Write

**Formula**  $T_a = (SUWL + 3 \cdot VSWL + 7) \cdot \frac{1}{f_{VBCLK}}$

**Register** all other

**Access** R/W

**Formula**  $T_a = (SUWL + VSWL + 3) \cdot \frac{1}{f_{VBCLK}}$

## A.6 Watch Calibration Timer

**Register** CR01

**Access** R/W

**Formula**  $T_a = (SUWL + VSWL + 3) \cdot \frac{1}{f_{VBCLK}}$

**Access** Read-Modify-Write

**Formula**  $T_a = (SUWL + 3 \cdot VSWL + 7) \cdot \frac{1}{f_{VBCLK}}$

[www.DataSheet4U.com](http://www.DataSheet4U.com) **Register** all other

**Access** R/W

**Formula**  $T_a = (SUWL + VSWL + 3) \cdot \frac{1}{f_{VBCLK}}$

## A.7 Watchdog Timer

**Register** all

**Access** R/W

**Formula**  $T_a = (SUWL + VSWL + 3) \cdot \frac{1}{f_{VBCLK}}$

## A.8 Asynchronous Serial Interface (UARTA)

**Register** all

**Access** R/W

**Formula**  $T_a = (SUWL + VSWL + 3) \cdot \frac{1}{f_{VBCLK}}$

## A.9 Clocked Serial Interface (CSIB)

**Register** all

**Access** R/W

**Formula**  $T_a = (SUWL + VSWL + 3) \cdot \frac{1}{f_{VBCLK}}$

## A.10 I<sup>2</sup>C Bus

**Register** IICSn

**Access** R

**Formula**  $T_a = (SUWL + 3 \cdot VSWL + 7) \cdot \frac{1}{f_{VBCLK}}$

**Register** all other

**Access** R/W

**Formula**  $T_a = (SUWL + VSWL + 3) \cdot \frac{1}{f_{VBCLK}}$

## A.11 CAN Controller

**Register** CnMDATA[7:0]m

**Access** R

**Formula**

$$t_a = \left\{ \text{SUWL} + \text{VSWL} + 3 + ru \left[ 4 \cdot \frac{\frac{f_{\text{VBCLK}}}{2 + \text{VSWL}} + 1}{f_{\text{CANMOD}}} \right] \cdot (2 + \text{VSWL}) \right\} \cdot \frac{1}{f_{\text{VBCLI}}}$$

**Access** 8-bit Write

**Formula**

$$t_a = \left\{ \text{SUWL} + \text{VSWL} + 3 + ru \left[ 5 \cdot \frac{\frac{f_{\text{VBCLK}}}{2 + \text{VSWL}} + 1}{f_{\text{CANMOD}}} \right] \cdot (2 + \text{VSWL}) \right\} \cdot \frac{1}{f_{\text{VBCLI}}}$$

**Access** 16-bit Write

**Formula**

$$t_a = \left\{ \text{SUWL} + \text{VSWL} + 3 + ru \left[ 3 \cdot \frac{\frac{f_{\text{VBCLK}}}{2 + \text{VSWL}} + 1}{f_{\text{CANMOD}}} \right] \cdot (2 + \text{VSWL}) \right\} \cdot \frac{1}{f_{\text{VBCLI}}}$$

**Register** CnRGPT, CnTGPT, CnLIPT, CnLOPT

**Access** R

**Formula**

$$t_a = \left\{ \text{SUWL} + \text{VSWL} + 3 + ru \left[ 4 \cdot \frac{\frac{f_{\text{VBCLK}}}{2 + \text{VSWL}} + 1}{f_{\text{CANMOD}}} \right] \cdot (2 + \text{VSWL}) \right\} \cdot \frac{1}{f_{\text{VBCLI}}}$$

**Register** all other

**Access** R/W

**Formula**

$$t_a = \left\{ \text{SUWL} + \text{VSWL} + 3 + ru \left[ 2 \cdot \frac{\frac{f_{\text{VBCLK}}}{2 + \text{VSWL}} + 1}{f_{\text{CANMOD}}} \right] \cdot (2 + \text{VSWL}) \right\} \cdot \frac{1}{f_{\text{VBCLI}}}$$

## A.12 A/D Converter

**Register** ADAM0[2:0], ADACR0n

**Access** R

$$\text{Formula } T_a = \left\{ \text{SUWL} + \text{VSWL} + 3 + \text{ru} \left[ \frac{2 \cdot f_{\text{VBCLK}}}{(2 + \text{VSWL}) \cdot f_{\text{SPCLK0}}} + 1 \right] \cdot (2 + \text{VSWL}) \right\} \cdot \frac{1}{f_{\text{VBCLK}}}$$

**Access** W

$$\text{Formula } T_a = (\text{SUWL} + \text{VSWL} + 3) \cdot \frac{1}{f_{\text{VBCLK}}}$$

**Register** all other

**Access** R/W

$$\text{Formula } T_a = (\text{SUWL} + \text{VSWL} + 3) \cdot \frac{1}{f_{\text{VBCLK}}}$$

## A.13 Stepper Motor Controller/Driver

**Register** MCNTCn[1:0], MCMPcNk

**Access** R

$$\text{Formula } T_a = (\text{SUWL} + \text{VSWL} + 3) \cdot \frac{1}{f_{\text{VBCLK}}}$$

**Access** W

$$\text{Formula } T_a = \left\{ \text{SUWL} + \text{VSWL} + 3 + \text{ru} \left[ \frac{2 \cdot f_{\text{VBCLK}}}{(2 + \text{VSWL}) \cdot f_{\text{SPCLK1}}} + 1 \right] \cdot (2 + \text{VSWL}) \right\} \cdot \frac{1}{f_{\text{VBCLK}}}$$

**Register** all other

**Access** R/W

$$\text{Formula } T_a = (\text{SUWL} + \text{VSWL} + 3) \cdot \frac{1}{f_{\text{VBCLK}}}$$

## A.14 LCD Controller/Driver

www.DataSheet4U.com **Register** all

**Access** R/W

$$\text{Formula } T_a = (\text{SUWL} + \text{VSWL} + 3) \cdot \frac{1}{f_{\text{VBCLK}}}$$

## A.15 LCD Bus Interface

**Register** all

**Access** R/W

**Formula**  $T_a = (SUWL + VSWL + 3) \cdot \frac{1}{f_{VBCLK}}$



## A.16 Sound Generator

**Register** SG0FL, SG0FH, SG0PWM

**Access** R

**Formula**  $T_a = (SUWL + VSWL + 3) \cdot \frac{1}{f_{VBCLK}}$

**Access** W

**Formula**  $T_a = (SUWL + 3 \cdot VSWL + 6) \cdot \frac{1}{f_{VBCLK}} + \frac{2}{f_{PCLK}}$

**Register** all other

**Access** R/W

**Formula**  $T_a = (SUWL + VSWL + 3) \cdot \frac{1}{f_{VBCLK}}$

## A.17 Clock Generator

**Register** CGSTAT

**Access** R

**Formula**  $T_a = (SUWL + 3 \cdot VSWL + 7) \cdot \frac{1}{f_{VBCLK}}$

**Access** W

**Formula**  $T_a = (SUWL + VSWL + 3) \cdot \frac{1}{f_{VBCLK}}$

**Register** all other

**Access** R/W

**Formula**  $T_a = (SUWL + VSWL + 3) \cdot \frac{1}{f_{VBCLK}}$

## A.18 All other Registers

[www.DataSheet4U.com](http://www.DataSheet4U.com) **Register** all

**Access** R/W

**Formula**  $T_a = (SUWL + VSWL + 3) \cdot \frac{1}{f_{VBCLK}}$

[www.DataSheet4U.com](http://www.DataSheet4U.com)

## Appendix B Special Function Registers

The following tables list all registers that are accessed via the NPB (NEC peripheral bus). The registers are called “special function registers” (SFR).

*Table B-1* lists all CAN special function registers. The addresses are given as offsets to programmable peripheral base address (refer to “CAN module register and message buffer addresses” on page 745.

The tables list all registers and do not distinguish between the different derivatives.

### B.1 CAN Registers

The CAN registers are accessible via the programmable peripheral area.

**Table B-1** CAN special function registers (1/4)

Address offset	Register name	Shortcut	1	8	16	32	Initial value
0x000	CAN0 Global Macro Control register	C0GMCTRL	-	-	R/W	-	0x0000
0x000	CAN0 Global Macro Control register low byte	C0GMCTRLL	R/W	R/W	-	-	0x00
0x001	CAN0 Global Macro Control register high byte	C0GMCTRLH	R/W	R/W	-	-	0x00
0x002	CAN0 Global Macro Clock Selection register	C0GMCS	R/W	R/W	-	-	0x0F
0x006	CAN0 Global Macro Automatic Block Transmission register	C0GMABT	-	-	R/W	-	0x0000
0x006	CAN0 Global Macro Automatic Block Transmission register low byte	C0GMABTL	R/W	R/W	-	-	0x00
0x007	CAN0 Global Macro Automatic Block Transmission register high byte	C0GMABTH	R/W	R/W	-	-	0x00
0x008	CAN0 Global Macro Automatic Block Transmission Delay register	C0GMABTD	R/W	R/W	-	-	0x00
0x040	CAN0 Module Mask 1 register lower half word	C0MASK1L	-	-	R/W	-	undefined
0x042	CAN0 Module Mask 1 register upper half word	C0MASK1H	-	-	R/W	-	undefined
0x044	CAN0 Module Mask 2 register lower half word	C0MASK2L	-	-	R/W	-	undefined
0x046	CAN0 Module Mask 2 register upper half word	C0MASK2H	-	-	R/W	-	undefined
0x048	CAN0 Module Mask 3 register lower half word	C0MASK3L	-	-	R/W	-	undefined
0x04A	CAN0 Module Mask 3 register upper half word	C0MASK3H	-	-	R/W	-	undefined
0x04C	CAN0 Module Mask 4 register lower half word	C0MASK4L	-	-	R/W	-	undefined
0x04E	CAN0 Module Mask 4 register upper half word	C0MASK4H	-	-	R/W	-	undefined
0x050	CAN0 Module Control register	C0CTRL	-	-	R/W	-	0x0000
0x052	CAN0 Module Last Error Code register	C0LEC	R/W	R/W	-	-	0x00
0x053	CAN0 Module Information register	C0INFO	R	R	-	-	0x00
0x054	CAN0 Module Error Counter	C0ERC	-	-	R/W	-	0x0000
0x056	CAN0 Module Interrupt Enable register	C0IE	-	-	R/W	-	0x0000

Table B-1 CAN special function registers (2/4)

Address offset	Register name	Shortcut	1	8	16	32	Initial value
0x056	CAN0 Module Interrupt Enable register low byte	C0IEL	R/W	R/W	-	-	0x00
0x057	CAN0 Module Interrupt Enable register high byte	C0IEH	R/W	R/W	-	-	0x00
0x058	CAN0 Module Interrupt Status register	C0INTS	-	-	R/W	-	0x0000
0x058	CAN0 Module Interrupt Status register low byte	C0INTSL	R/W	R/W	-	-	0x00
0x05A	CAN0 Module Bit-Rate Prescaler register	C0BRP	R/W	R/W	-	-	0xFF
0x05C	CAN0 Bit Rate register	C0BTR	-	-	R/W	-	0x370F
0x05E	CAN0 Module Last In-Pointer register	C0LIPT	-	R/W	-	-	undefined
0x060	CAN0 Module Receive History List Get Pointer register	C0RGPT	-	-	R/W	-	0x??02 (undefined)
0x060	CAN0 Module Receive History List Get Pointer register low byte	C0RGPTL	R/W	R/W	-	-	0x02
0x062	CAN0 Module Last Out-Pointer register	C0LOPT	-	R	-	-	undefined
0x064	CAN0 Module Transmit History List Get Pointer register	C0TGPT	-	-	R/W	-	0x??02 (undefined)
0x064	CAN0 Module Transmit History List Get Pointer register low byte	C0TGPTL	R/W	R/W	-	-	0x02
0x066	CAN0 Module Time Stamp register	C0TS	-	-	R/W	-	0x0000
0x066	CAN0 Module Time Stamp register low byte	C0TSL	R/W	R/W	-	-	0x00
0x067	CAN0 Module Time Stamp register high byte	C0TSH	R/W	R/W	-	-	0x00
0x100 to 0x4EF	CAN0 Message Buffer registers, see <i>Table 20-20 on page 748</i> .						
0x600	CAN1 Global Macro Control register	C1GMCTRL	-	-	R/W	-	0x0000
0x600	CAN1 Global Macro Control register low byte	C1GMCTRLLL	R/W	R/W	-	-	0x00
0x601	CAN1 Global Macro Control register high byte	C1GMCTRLH	R/W	R/W	-	-	0x00
0x602	CAN1 Global Macro Clock Selection register	C1GMCS	R/W	R/W	-	-	0x0F
0x606	CAN1 Global Macro Automatic Block Transmission register	C1GMABT	-	-	R/W	-	0x0000
0x606	CAN1 Global Macro Automatic Block Transmission register low byte	C1GMABTL	R/W	R/W	-	-	0x00
0x607	CAN1 Global Macro Automatic Block Transmission register high byte	C1GMABTH	R/W	R/W	-	-	0x00
0x608	CAN1 Global Macro Automatic Block Transmission Delay register	C1GMABTD	R/W	R/W	-	-	0x00
0x640	CAN1 Module Mask 1 register lower half word	C1MASK1L	-	-	R/W	-	undefined
0x642	CAN1 Module Mask 1 register upper half word	C1MASK1H	-	-	R/W	-	undefined
0x644	CAN1 Module Mask 2 register lower half word	C1MASK2L	-	-	R/W	-	undefined
0x646	CAN1 Module Mask 2 register upper half word	C1MASK2H	-	-	R/W	-	undefined
0x648	CAN1 Module Mask 3 register lower half word	C1MASK3L	-	-	R/W	-	undefined
0x64A	CAN1 Module Mask 3 register upper half word	C1MASK3H	-	-	R/W	-	undefined
0x64C	CAN1 Module Mask 4 register lower half word	C1MASK4L	-	-	R/W	-	undefined
0x64E	CAN1 Module Mask 4 register upper half word	C1MASK4H	-	-	R/W	-	undefined
0x650	CAN1 Module Control register	C1CTRL	-	-	R/W	-	0x0000
0x652	CAN1 Module Last Error Code register	C1LEC	R/W	R/W	-	-	0x00
0x653	CAN1 Module Information register	C1INFO	R	R	-	-	0x00

Table B-1 CAN special function registers (3/4)

Address offset	Register name	Shortcut	1	8	16	32	Initial value
0x654	CAN1 Module Error Counter	C1ERC	-	-	R/W	-	0x0000
0x656	CAN1 Module Interrupt Enable register	C1IE	-	-	R/W	-	0x0000
0x656	CAN1 Module Interrupt Enable register low byte	C1IEL	R/W	R/W	-	-	0x00
0x657	CAN1 Module Interrupt Enable register high byte	C1IEH	R/W	R/W	-	-	0x00
0x658	CAN1 Module Interrupt Status register	C1INTS	-	-	R/W	-	0x0000
0x658	CAN1 Module Interrupt Status register low byte	C1INTSL	R/W	R/W	-	-	0x00
0x65A	CAN1 Module Bit-Rate Prescaler register	C1BRP	R/W	R/W	-	-	0xFF
0x65C	CAN1 Bit Rate register	C1BTR	-	-	R/W	-	0x370F
0x65E	CAN1 Module Last In-Pointer register	C1LIPT	-	R/W	-	-	undefined
0x660	CAN1 Module Receive History List Get Pointer register	C1RGPT	-	-	R/W	-	0x??02 (undefined)
0x660	CAN1 Module Receive History List Get Pointer register low byte	C1RGPTL	R/W	R/W	-	-	0x02
0x662	CAN1 Module Last Out-Pointer register	C1LOPT	-	R	-	-	undefined
0x664	CAN1 Module Transmit History List Get Pointer register	C1TGPT	-	-	R/W	-	0x??02 (undefined)
0x664	CAN1 Module Transmit History List Get Pointer register low byte	C1TGPTL	R/W	R/W	-	-	0x02
0x666	CAN1 Module Time Stamp register	C1TS	-	-	R/W	-	0x0000
0x666	CAN1 Module Time Stamp register low byte	C1TSL	R/W	R/W	-	-	0x00
0x667	CAN1 Module Time Stamp register high byte	C1TSH	R/W	R/W	-	-	0x00
0x700 to 0xAEF	CAN1 Message Buffer registers, see <i>Table 20-20 on page 748</i> .						
0xC00	CAN2 Global Macro Control register	C2GMCTRL	-	-	R/W	-	0x0000
0xC00	CAN2 Global Macro Control register low byte	C2GMCTRLLL	R/W	R/W	-	-	0x00
0xC01	CAN2 Global Macro Control register high byte	C2GMCTRLH	R/W	R/W	-	-	0x00
0xC02	CAN2 Global Macro Clock Selection register	C2GMCS	R/W	R/W	-	-	0x0F
0xC06	CAN2 Global Macro Automatic Block Transmission register	C2GMABT	-	-	R/W	-	0x0000
0xC06	CAN2 Global Macro Automatic Block Transmission register low byte	C2GMABTL	R/W	R/W	-	-	0x00
0xC07	CAN2 Global Macro Automatic Block Transmission register high byte	C2GMABTH	R/W	R/W	-	-	0x00
0xC08	CAN2 Global Macro Automatic Block Transmission Delay register	C2GMABTD	R/W	R/W	-	-	0x00
0xC40	CAN2 Module Mask 1 register lower half word	C2MASK1L	-	-	R/W	-	undefined
0xC42	CAN2 Module Mask 1 register upper half word	C2MASK1H	-	-	R/W	-	undefined
0xC44	CAN2 Module Mask 2 register lower half word	C2MASK2L	-	-	R/W	-	undefined
0xC46	CAN2 Module Mask 2 register upper half word	C2MASK2H	-	-	R/W	-	undefined
0xC48	CAN2 Module Mask 3 register lower half word	C2MASK3L	-	-	R/W	-	undefined
0xC4A	CAN2 Module Mask 3 register upper half word	C2MASK3H	-	-	R/W	-	undefined
0xC4C	CAN2 Module Mask 4 register lower half word	C2MASK4L	-	-	R/W	-	undefined
0xC4E	CAN2 Module Mask 4 register upper half word	C2MASK4H	-	-	R/W	-	undefined
0xC50	CAN2 Module Control register	C2CTRL	-	-	R/W	-	0x0000

Table B-1 CAN special function registers (4/4)

Address offset	Register name	Shortcut	1	8	16	32	Initial value
0xC52	CAN2 Module Last Error Code register	C2LEC	R/W	R/W	-	-	0x00
0xC53	CAN2 Module Information register	C2INFO	R	R	-	-	0x00
0xC54	CAN2 Module Error Counter	C2ERC	-	-	R/W	-	0x0000
0xC56	CAN2 Module Interrupt Enable register	C2IE	-	-	R/W	-	0x0000
0xC56	CAN2 Module Interrupt Enable register low byte	C2IEL	R/W	R/W	-	-	0x00
0xC57	CAN2 Module Interrupt Enable register high byte	C2IEH	R/W	R/W	-	-	0x00
0xC58	CAN2 Module Interrupt Status register	C2INTS	-	-	R/W	-	0x0000
0xC58	CAN2 Module Interrupt Status register low byte	C2INTSL	R/W	R/W	-	-	0x00
0xC5A	CAN2 Module Bit-Rate Prescaler register	C2BRP	R/W	R/W	-	-	0xFF
0xC5C	CAN2 Bit Rate register	C2BTR	-	-	R/W	-	0x370F
0xC5E	CAN2 Module Last In-Pointer register	C2LIPT	-	R/W	-	-	undefined
0xC60	CAN2 Module Receive History List Get Pointer register	C2RGPT	-	-	R/W	-	0x??02 (undefined)
0xC60	CAN2 Module Receive History List Get Pointer register low byte	C2RGPTL	R/W	R/W	-	-	0x02
0xC62	CAN2 Module Last Out-Pointer register	C2LOPT	-	R	-	-	undefined
0xC64	CAN2 Module Transmit History List Get Pointer register	C2TGPT	-	-	R/W	-	0x??02 (undefined)
0xC64	CAN2 Module Transmit History List Get Pointer register low byte	C2TGPTL	R/W	R/W	-	-	0x02
0xC66	CAN2 Module Time Stamp register	C2TS	-	-	R/W	-	0x0000
0xC66	CAN2 Module Time Stamp register low byte	C2TSL	R/W	R/W	-	-	0x00
0xC67	CAN2 Module Time Stamp register high byte	C2TSH	R/W	R/W	-	-	0x00
0xD00 to 0x10EF	CAN2 Message Buffer registers, see <i>Table 20-20 on page 748</i>						

## B.2 Other Special Function Registers

Table B-2 Other special function registers (1/20)

Address	Register name	Shortcut	1	8	16	32	Initial value
0xFFFFF060	CPU: Chip Area Select Control register 0	CSC0	-	-	R/W	-	0x2C11
0xFFFFF062	CPU: Chip Area Select Control register 1	CSC1	-	-	R/W	-	0x2C11
0xFFFFF064	CPU: Peripheral Area Select Control register	BPC	-	-	R/W	-	0x0000
0xFFFFF068	CPU: Endian Configuration register	BEC	-	-	R/W	-	0x0000
0xFFFFF06E	CPU: VPB Strobe Wait Control register	VSWC	R/W	R/W	-	-	0x77
0xFFFFF080	DMA source address register 0L	DSAL0	-	-	R/W	-	undefined
0xFFFFF082	DMA source address register 0H	DSAH0	-	-	R/W	-	undefined
0xFFFFF084	DMA destination address register 0L	DDAL0	-	-	R/W	-	undefined
0xFFFFF086	DMA destination address register 0H	DDAH0	-	-	R/W	-	undefined
0xFFFFF088	DMA source address register 1L	DSAL1	-	-	R/W	-	undefined
0xFFFFF08A	DMA source address register 1H	DSAH1	-	-	R/W	-	undefined
0xFFFFF08C	DMA destination address register 1L	DDAL1	-	-	R/W	-	undefined
0xFFFFF08E	DMA destination address register 1H	DDAH1	-	-	R/W	-	undefined
0xFFFFF090	DMA source address register 2L	DSAL2	-	-	R/W	-	undefined
0xFFFFF092	DMA source address register 2H	DSAH2	-	-	R/W	-	undefined
0xFFFFF094	DMA destination address register 2L	DDAL2	-	-	R/W	-	undefined
0xFFFFF096	DMA destination address register 2H	DDAH2	-	-	R/W	-	undefined
0xFFFFF098	DMA source address register 3L	DSAL3	-	-	R/W	-	undefined
0xFFFFF09A	DMA source address register 3H	DSAH3	-	-	R/W	-	undefined
0xFFFFF09C	DMA destination address register 3L	DDAL3	-	-	R/W	-	undefined
0xFFFFF09E	DMA destination address register 3H	DDAH3	-	-	R/W	-	undefined
0xFFFFF0C0	DMA transfer count register 0	DBC0	-	-	R/W	-	undefined
0xFFFFF0C2	DMA transfer count register 1	DBC1	-	-	R/W	-	undefined
0xFFFFF0C4	DMA transfer count register 2	DBC2	-	-	R/W	-	undefined
0xFFFFF0C6	DMA transfer count register 3	DBC3	-	-	R/W	-	undefined
0xFFFFF0D0	DMA addressing control register 0	DADC0	-	-	R/W	-	0x0000
0xFFFFF0D2	DMA addressing control register 1	DADC1	-	-	R/W	-	0x0000
0xFFFFF0D4	DMA addressing control register 2	DADC2	-	-	R/W	-	0x0000
0xFFFFF0D6	DMA addressing control register 3	DADC3	-	-	R/W	-	0x0000
0xFFFFF0E0	DMA channel control register 0	DCHC0	R/W	R/W	-	-	0x00
0xFFFFF0E2	DMA channel control register 1	DCHC1	R/W	R/W	-	-	0x00
0xFFFFF0E4	DMA channel control register 2	DCHC2	R/W	R/W	-	-	0x00
0xFFFFF0E6	DMA channel control register 3	DCHC3	R/W	R/W	-	-	0x00
0xFFFFF0F2	DMA restart register	DRST	R/W	R/W	-	-	0x00
0xFFFFF100	Interrupt Mask register 0	IMR0	-	-	R/W	-	0xFFFF
0xFFFFF100	Interrupt Mask register 0L	IMR0L	R/W	R/W	-	-	0xFF
0xFFFFF101	Interrupt Mask register 0H	IMR0H	R/W	R/W	-	-	0xFF
0xFFFFF102	Interrupt Mask register 1	IMR1	-	-	R/W	-	0xFFFF
0xFFFFF102	Interrupt Mask register 1L	IMR1L	R/W	R/W	-	-	0xFF

Table B-2 Other special function registers (2/20)

Address	Register name	Shortcut	1	8	16	32	Initial value
0xFFFFF103	Interrupt Mask register 1H	IMR1H	R/W	R/W	-	-	0xFF
0xFFFFF104	Interrupt Mask register 2	IMR2	-	-	R/W	-	0xFFFF
0xFFFFF104	Interrupt Mask register 2L	IMR2L	R/W	R/W	-	-	0xFF
0xFFFFF105	Interrupt Mask register 2H	IMR2H	R/W	R/W	-	-	0xFF
0xFFFFF106	Interrupt Mask register 3	IMR3	-	-	R/W	-	0xFFFF
0xFFFFF106	Interrupt Mask register 3L	IMR3L	R/W	R/W	-	-	0xFF
0xFFFFF107	Interrupt Mask register 3H	IMR3H	R/W	R/W	-	-	0xFF
0xFFFFF108	Interrupt Mask register 4	IMR4	-	-	R/W	-	0xFFFF
0xFFFFF108	Interrupt Mask register 4L	IMR4L	R/W	R/W	-	-	0xFF
0xFFFFF109	Interrupt Mask register 4H	IMR4H	R/W	R/W	-	-	0xFF
0xFFFFF10A	Interrupt Mask register 5	IMR5	-	-	R/W	-	0xFFFF
0xFFFFF10A	Interrupt Mask register 5L	IMR5L	R/W	R/W	-	-	0xFF
0xFFFFF10B	Interrupt Mask register 5H	IMR5H	R/W	R/W	-	-	0xFF
0xFFFFF10C	Interrupt Mask register 6	IMR6	-	-	R/W	-	0xFFFF
0xFFFFF10C	Interrupt Mask register 6L	IMR6H	R/W	R/W	-	-	0xFF
0xFFFFF10D	Interrupt Mask register 6H	IMR6L	R/W	R/W	-	-	0xFF
0xFFFFF110	Interrupt control register of INTVC0	VC0IC	R/W	R/W	-	-	0x47
0xFFFFF112	Interrupt control register of INTVC1	VC1IC	R/W	R/W	-	-	0x47
0xFFFFF114	Interrupt control register of INTWT0UV	WT0UVIC	R/W	R/W	-	-	0x47
0xFFFFF116	Interrupt control register of INTWT1UV	WT1UVIC	R/W	R/W	-	-	0x47
0xFFFFF11A	Interrupt control register of INTTM01	TM01IC	R/W	R/W	-	-	0x47
0xFFFFF11C	Interrupt control register of INTP0	P0IC	R/W	R/W	-	-	0x47
0xFFFFF11E	Interrupt control register of INTP1	P1IC	R/W	R/W	-	-	0x47
0xFFFFF120	Interrupt control register of INTP2	P2IC	R/W	R/W	-	-	0x47
0xFFFFF122	Interrupt control register of INTP3	P3IC	R/W	R/W	-	-	0x47
0xFFFFF124	Interrupt control register of INTP4	P4IC	R/W	R/W	-	-	0x47
0xFFFFF126	Interrupt control register of INTP5	P5IC	R/W	R/W	-	-	0x47
0xFFFFF128	Interrupt control register of INTP6	P6IC	R/W	R/W	-	-	0x47
0xFFFFF12A	Interrupt control register of INTTZ0UV	TZ0UVIC	R/W	R/W	-	-	0x47
0xFFFFF12C	Interrupt control register of INTTZ1UV	TZ1UVIC	R/W	R/W	-	-	0x47
0xFFFFF12E	Interrupt control register of INTTZ2UV	TZ2UVIC	R/W	R/W	-	-	0x47
0xFFFFF130	Interrupt control register of INTTZ3UV	TZ3UVIC	R/W	R/W	-	-	0x47
0xFFFFF132	Interrupt control register of INTTZ4UV	TZ4UVIC	R/W	R/W	-	-	0x47
0xFFFFF134	Interrupt control register of INTTZ5UV	TZ5UVIC	R/W	R/W	-	-	0x47
0xFFFFF136	Interrupt control register of INTTP0OV	TP0OVIC	R/W	R/W	-	-	0x47
0xFFFFF138	Interrupt control register of INTTP0CC0	TP0CC0IC	R/W	R/W	-	-	0x47
0xFFFFF13A	Interrupt control register of INTTP0CC1	TP0CC1IC	R/W	R/W	-	-	0x47
0xFFFFF13C	Interrupt control register of INTTP1OV	TP1OVIC	R/W	R/W	-	-	0x47
0xFFFFF13E	Interrupt control register of INTTP1CC0	TP1CC0IC	R/W	R/W	-	-	0x47
0xFFFFF140	Interrupt control register of INTTP1CC1	TP1CC1IC	R/W	R/W	-	-	0x47
0xFFFFF142	Interrupt control register of INTTP2OV	TP2OVIC	R/W	R/W	-	-	0x47



Table B-2 Other special function registers (3/20)

Address	Register name	Shortcut	1	8	16	32	Initial value
0xFFFF144	Interrupt control register of INTTP2CC0	TP2CC0IC	R/W	R/W	-	-	0x47
0xFFFF146	Interrupt control register of INTTP2CC1	TP2CC1IC	R/W	R/W	-	-	0x47
0xFFFF148	Interrupt control register of INTTP3OV	TP3OVIC	R/W	R/W	-	-	0x47
0xFFFF14A	Interrupt control register of INTTP3CC0	TP3CC0IC	R/W	R/W	-	-	0x47
0xFFFF14C	Interrupt control register of INTTP3CC1	TP3CC1IC	R/W	R/W	-	-	0x47
0xFFFF14E	Interrupt control register of INTTG0OV0	TG0OV0IC	R/W	R/W	-	-	0x47
0xFFFF150	Interrupt control register of INTTG0OV1	TG0OV1IC	R/W	R/W	-	-	0x47
0xFFFF152	Interrupt control register of INTTG0CC0	TG0CC0IC	R/W	R/W	-	-	0x47
0xFFFF154	Interrupt control register of INTTG0CC1	TG0CC1IC	R/W	R/W	-	-	0x47
0xFFFF156	Interrupt control register of INTTG0CC2	TG0CC2IC	R/W	R/W	-	-	0x47
0xFFFF158	Interrupt control register of INTTG0CC3	TG0CC3IC	R/W	R/W	-	-	0x47
0xFFFF15A	Interrupt control register of INTTG0CC4	TG0CC4IC	R/W	R/W	-	-	0x47
0xFFFF15C	Interrupt control register of INTTG0CC5	TG0CC5IC	R/W	R/W	-	-	0x47
0xFFFF15E	Interrupt control register of INTTG1OV0	TG1OV0IC	R/W	R/W	-	-	0x47
0xFFFF160	Interrupt control register of INTTG1OV1	TG1OV1IC	R/W	R/W	-	-	0x47
0xFFFF162	Interrupt control register of INTTG1CC0	TG1CC0IC	R/W	R/W	-	-	0x47
0xFFFF164	Interrupt control register of INTTG1CC1	TG1CC1IC	R/W	R/W	-	-	0x47
0xFFFF166	Interrupt control register of INTTG1CC2	TG1CC2IC	R/W	R/W	-	-	0x47
0xFFFF168	Interrupt control register of INTTG1CC3	TG1CC3IC	R/W	R/W	-	-	0x47
0xFFFF16A	Interrupt control register of INTTG1CC4	TG1CC4IC	R/W	R/W	-	-	0x47
0xFFFF16C	Interrupt control register of INTTG1CC5	TG1CC5IC	R/W	R/W	-	-	0x47
0xFFFF16E	Interrupt control register of INTTY0UV0	TY0UV0IC	R/W	R/W	-	-	0x47
0xFFFF170	Interrupt control register of INTTY0UV1	TY0UV1IC	R/W	R/W	-	-	0x47
0xFFFF172	Interrupt control register of INTAD	ADIC	R/W	R/W	-	-	0x47
0xFFFF174	Interrupt control register of INTC0ERR	C0ERRIC	R/W	R/W	-	-	0x47
0xFFFF176	Interrupt control register of INTC0WUP	C0WUPIC	R/W	R/W	-	-	0x47
0xFFFF178	Interrupt control register of INTC0REC	C0REIC	R/W	R/W	-	-	0x47
0xFFFF17A	Interrupt control register of INTC0TRX	C0TRXIC	R/W	R/W	-	-	0x47
0xFFFF17C	Interrupt control register of INTCB0RE	CB0REIC	R/W	R/W	-	-	0x47
0xFFFF17E	Interrupt control register of INTCB0R	CB0RIC	R/W	R/W	-	-	0x47
0xFFFF180	Interrupt control register of INTCB0T	CB0TIC	R/W	R/W	-	-	0x47
0xFFFF182	Interrupt control register of INTUA0RE	UA0REIC	R/W	R/W	-	-	0x47
0xFFFF184	Interrupt control register of INTUA0R	UA0RIC	R/W	R/W	-	-	0x47
0xFFFF186	Interrupt control register of INTUA0T	UA0TIC	R/W	R/W	-	-	0x47
0xFFFF188	Interrupt control register of INTUA1RE	UA1REIC	R/W	R/W	-	-	0x47
0xFFFF18A	Interrupt control register of INTUA1R	UA1RIC	R/W	R/W	-	-	0x47
0xFFFF18C	Interrupt control register of INTUA1T	UA1TIC	R/W	R/W	-	-	0x47
0xFFFF18E	Interrupt control register of INTIIC0	IIC0IC	R/W	R/W	-	-	0x47
0xFFFF190	Interrupt control register of INTIIC1	IIC1IC	R/W	R/W	-	-	0x47
0xFFFF192	Interrupt control register of INTSG0	SG0IC	R/W	R/W	-	-	0x47
0xFFFF194	Interrupt control register of INTDMA0	DMA0IC	R/W	R/W	-	-	0x47

Table B-2 Other special function registers (4/20)

Address	Register name	Shortcut	1	8	16	32	Initial value
0xFFFF196	Interrupt control register of INTDMA1	DMA1IC	R/W	R/W	-	-	0x47
0xFFFF198	Interrupt control register of INTDMA2	DMA2IC	R/W	R/W	-	-	0x47
0xFFFF19A	Interrupt control register of INTDMA3	DMA3IC	R/W	R/W	-	-	0x47
0xFFFF19C	Interrupt control register of INTSW0	SW0IC	R/W	R/W	-	-	0x47
0xFFFF19E	Interrupt control register of INTSW1	SW11IC	R/W	R/W	-	-	0x47
0xFFFF1A0	Interrupt control register of INTP7	P7IC	R/W	R/W	-	-	0x47
0xFFFF1A2	Interrupt control register of INTC1ERR	C1ERRIC	R/W	R/W	-	-	0x47
0xFFFF1A4	Interrupt control register of INTC1WUP	C1WUPIC	R/W	R/W	-	-	0x47
0xFFFF1A6	Interrupt control register of INTC1REC	C1REIC	R/W	R/W	-	-	0x47
0xFFFF1A8	Interrupt control register of INTC1TRX	C1TRXIC	R/W	R/W	-	-	0x47
0xFFFF1AA	Interrupt control register of INTT26UV	TZ6UVIC	R/W	R/W	-	-	0x47
0xFFFF1AC	Interrupt control register of INTT27UV	TZ7UVIC	R/W	R/W	-	-	0x47
0xFFFF1AE	Interrupt control register of INTT28UV	TZ8UVIC	R/W	R/W	-	-	0x47
0xFFFF1B0	Interrupt control register of INTT29UV	TZ9UVIC	R/W	R/W	-	-	0x47
0xFFFF1B2	Interrupt control register of INTTG2OV0	TG2OV0IC	R/W	R/W	-	-	0x47
0xFFFF1B4	Interrupt control register of INTTG2OV1	TG2OV1IC	R/W	R/W	-	-	0x47
0xFFFF1B6	Interrupt control register of INTTG2CC0	TG2CC0IC	R/W	R/W	-	-	0x47
0xFFFF1B8	Interrupt control register of INTTG2CC1	TG2CC1IC	R/W	R/W	-	-	0x47
0xFFFF1BA	Interrupt control register of INTTG2CC2	TG2CC2IC	R/W	R/W	-	-	0x47
0xFFFF1BC	Interrupt control register of INTTG2CC3	TG2CC3IC	R/W	R/W	-	-	0x47
0xFFFF1BE	Interrupt control register of INTTG2CC4	TG2CC4IC	R/W	R/W	-	-	0x47
0xFFFF1C0	Interrupt control register of INTTG2CC5	TG2CC5IC	R/W	R/W	-	-	0x47
0xFFFF1C2	Interrupt control register of INTCB1RE	CB1REIC	R/W	R/W	-	-	0x47
0xFFFF1C4	Interrupt control register of INTCB1R	CB1RIC	R/W	R/W	-	-	0x47
0xFFFF1C6	Interrupt control register of INTCB1T	CB1TIC	R/W	R/W	-	-	0x47
0xFFFF1C8	Interrupt control register of INTCB2RE	CB2REIC	R/W	R/W	-	-	0x47
0xFFFF1CA	Interrupt control register of INTCB2R	CB2RIC	R/W	R/W	-	-	0x47
0xFFFF1CC	Interrupt control register of INTCB2T	CB2TIC	R/W	R/W	-	-	0x47
0xFFFF1CE	Interrupt control register of INTLCD	LCDIC	R/W	R/W	-	-	0x47
0xFFFF1D0	Interrupt control register of INTC2ERR	C2ERRIC	R/W	R/W	-	-	0x47
0xFFFF1D2	Interrupt control register of INTC2WUP	C2WUPIC	R/W	R/W	-	-	0x47
0xFFFF1D4	Interrupt control register of INTC2REC	C2REIC	R/W	R/W	-	-	0x47
0xFFFF1D6	Interrupt control register of INTC2TRX	C2TRXIC	R/W	R/W	-	-	0x47
0xFFFF1FA	In-service Priority register	ISPR	R	R	-	-	0x00
0xFFFF1FC	Command register	PRCMD	-	W	-	-	undefined
0xFFFF1FE	Power Save Control register	PSC	R/W	R/W	-	-	0x00
0xFFFF200	ADC mode register 0	ADA0M0	R/W	R/W	-	-	0x00
0xFFFF201	ADC mode register 1	ADA0M1	R/W	R/W	-	-	0x00
0xFFFF202	ADC channel select register	ADA0S	R/W	R/W	-	-	0x00
0xFFFF203	ADC mode register 2	ADA0M2	R/W	R/W	-	-	0x00
0xFFFF204	ADC power fail comparison mode register	ADA0PFM	R/W	R/W	-	-	0x00

Table B-2 Other special function registers (5/20)

Address	Register name	Shortcut	1	8	16	32	Initial value
0xFFFFF205	ADC power fail threshold register	ADA0PFT	R/W	R/W	-	-	0x00
0xFFFFF210	ADC result register channel 0	ADCR00	-	-	R	-	undefined
0xFFFFF211	ADC result register high byte channel 0	ADCR0H0	R	R	-	-	undefined
0xFFFFF212	ADC result register channel 1	ADCR01	-	-	R	-	undefined
0xFFFFF213	ADC result register high byte channel 1	ADCR0H1	R	R	-	-	undefined
0xFFFFF214	ADC result register channel 2	ADCR02	-	-	R	-	undefined
0xFFFFF215	ADC result register high byte channel 2	ADCR0H2	R	R	-	-	undefined
0xFFFFF216	ADC result register channel 3	ADCR03	-	-	R	-	undefined
0xFFFFF217	ADC result register high byte channel 3	ADCR0H3	R	R	-	-	undefined
0xFFFFF218	ADC result register channel 4	ADCR04	-	-	R	-	undefined
0xFFFFF219	ADC result register high byte channel 4	ADCR0H4	R	R	-	-	undefined
0xFFFFF21A	ADC result register channel 5	ADCR05	-	-	R	-	undefined
0xFFFFF21B	ADC result register high byte channel 5	ADCR0H5	R	R	-	-	undefined
0xFFFFF21C	ADC result register channel 6	ADCR06	-	-	R	-	undefined
0xFFFFF21D	ADC result register high byte channel 6	ADCR0H6	R	R	-	-	undefined
0xFFFFF21E	ADC result register channel 7	ADCR07	-	-	R	-	undefined
0xFFFFF21F	ADC result register high byte channel 7	ADCR0H7	R	R	-	-	undefined
0xFFFFF220	ADC result register channel 8	ADCR08	-	-	R	-	undefined
0xFFFFF221	ADC result register high byte channel 8	ADCRH08	R	R	-	-	undefined
0xFFFFF222	ADC result register channel 9	ADCR09	-	-	R	-	undefined
0xFFFFF223	ADC result register high byte channel 9	ADCR0H9	R	R	-	-	undefined
0xFFFFF224	ADC result register channel 10	ADCR010	-	-	R	-	undefined
0xFFFFF225	ADC result register high byte channel 10	ADCR0H10	R	R	-	-	undefined
0xFFFFF226	ADC result register channel 11	ADCR011	-	-	R	-	undefined
0xFFFFF227	ADC result register high byte channel 11	ADCR0H11	R	R	-	-	undefined
0xFFFFF228	ADC result register channel 12	ADCR012	-	-	R	-	undefined
0xFFFFF229	ADC result register high byte channel 12	ADCR0H12	R	R	-	-	undefined
0xFFFFF22A	ADC result register channel 13	ADCR013	-	-	R	-	undefined
0xFFFFF22B	ADC result register high byte channel 13	ADCR0H13	R	R	-	-	undefined
0xFFFFF22C	ADC result register channel 14	ADCR014	-	-	R	-	undefined
0xFFFFF22D	ADC result register high byte channel 14	ADCR0H14	R	R	-	-	undefined
0xFFFFF22E	ADC result register channel 15	ADCR015	-	-	R	-	undefined
0xFFFFF22F	ADC result register high byte channel 15	ADCR0H15	R	R	-	-	undefined
0xFFFFF300	Port Drive strength control register P0	PDSC0	R/W	R/W	-	-	0x00
0xFFFFF302	Port Drive strength control register P1	PDSC1	R/W	R/W	-	-	0x00
0xFFFFF304	Port Drive strength control register P2	PDSC2	R/W	R/W	-	-	0x00
0xFFFFF306	Port Drive strength control register P3	PDSC3	R/W	R/W	-	-	0x00
0xFFFFF308	Port Drive strength control register P4	PDSC4	R/W	R/W	-	-	0x00
0xFFFFF30A	Port Drive strength control register P5	PDSC5	R/W	R/W	-	-	0x00
0xFFFFF30C	Port Drive strength control register P6	PDSC6	R/W	R/W	-	-	0x00
0xFFFFF310	Port Drive strength control register P8	PDSC8	R/W	R/W	-	-	0x00

Table B-2 Other special function registers (6/20)

Address	Register name	Shortcut	1	8	16	32	Initial value
0xFFFFF312	Port Drive strength control register P9	PDSC9	R/W	R/W	-	-	0x00
0xFFFFF314	Port Drive strength control register P10	PDSC10	R/W	R/W	-	-	0x00
0xFFFFF344	Port LCD control register P2	PLCDC2	R/W	R/W	-	-	0x00
0xFFFFF346	Port LCD control register P3	PLCDC3	R/W	R/W	-	-	0x00
0xFFFFF348	Port LCD control register P4	PLCDC4	R/W	R/W	-	-	0x00
0xFFFFF34C	Port LCD control register port 6	PLCDC6	R/W	R/W	-	-	0x00
0xFFFFF350	Port LCD control register port 8	PLCDC8	R/W	R/W	-	-	0x00
0xFFFFF352	Port LCD control register port 9	PLCDC9	R/W	R/W	-	-	0x00
0xFFFFF354	Port LCD control register port 10	PLCDC10	R/W	R/W	-	-	0x00
0xFFFFF360	Port open drain control register P0	PODC0	R/W	R/W	-	-	0x00
0xFFFFF362	Port open drain control register P1	PODC1	R/W	R/W	-	-	0x00
0xFFFFF364	Port open drain control register P2	PODC2	R/W	R/W	-	-	0x00
0xFFFFF366	Port open drain control register P3	PODC3	R/W	R/W	-	-	0x00
0xFFFFF368	Port open drain control register P4	PODC4	R/W	R/W	-	-	0x00
0xFFFFF36A	Port open drain control register P5	PODC5	R/W	R/W	-	-	0x00
0xFFFFF36C	Port open drain control register P6	PODC6	R/W	R/W	-	-	0x00
0xFFFFF370	Port open drain control register P8	PODC8	R/W	R/W	-	-	0x00
0xFFFFF372	Port open drain control register P9	PODC9	R/W	R/W	-	-	0x00
0xFFFFF374	Port open drain control register P10	PODC10	R/W	R/W	-	-	0x00
0xFFFFF376	Port open drain control register P11	PODC11	R/W	R/W	-	-	0x00
0xFFFFF378	Port open drain control register P12	PODC12	R/W	R/W	-	-	0x00
0xFFFFF37A	Port open drain control register P13	PODC13	R/W	R/W	-	-	0x00
0xFFFFF380	Port input characteristic control register P0	PICC0	R/W	R/W	-	-	0xFF
0xFFFFF382	Port input characteristic control register P1	PICC1	R/W	R/W	-	-	0xFF
0xFFFFF384	Port input characteristic control register P2	PICC2	R/W	R/W	-	-	0xFF
0xFFFFF386	Port input characteristic control register P3	PICC3	R/W	R/W	-	-	0xFF
0xFFFFF388	Port input characteristic control register P4	PICC4	R/W	R/W	-	-	0xFF
0xFFFFF38A	Port input characteristic control register P5	PICC5	R/W	R/W	-	-	0xFF
0xFFFFF38C	Port input characteristic control register P6	PICC6	R/W	R/W	-	-	0xFF
0xFFFFF390	Port input characteristic control register P8	PICC8	R/W	R/W	-	-	0xFF
0xFFFFF392	Port input characteristic control register P9	PICC9	R/W	R/W	-	-	0xFF
0xFFFFF394	Port input characteristic control register P10	PICC10	R/W	R/W	-	-	0xFF
0xFFFFF396	Port input characteristic control register P11	PICC11	R/W	R/W	-	-	0xFF
0xFFFFF398	Port input characteristic control register P12	PICC12	R/W	R/W	-	-	0xFF
0xFFFFF39A	Port input characteristic control register P13	PICC13	R/W	R/W	-	-	0xFF
0xFFFFF3A0	Port input level control register P0	PILC0	R/W	R/W	-	-	0x00
0xFFFFF3A2	Port input level control register P1	PILC1	R/W	R/W	-	-	0x00
0xFFFFF3A4	Port input level control register P2	PILC2	R/W	R/W	-	-	0x00
0xFFFFF3A6	Port input level control register P3	PILC3	R/W	R/W	-	-	0x00
0xFFFFF3A8	Port input level control register P4	PILC4	R/W	R/W	-	-	0x00
0xFFFFF3AA	Port input level control register P5	PILC5	R/W	R/W	-	-	0x00

Table B-2 Other special function registers (7/20)

Address	Register name	Shortcut	1	8	16	32	Initial value
0xFFFFF3AC	Port input level control register P6	PILC6	R/W	R/W	-	-	0x00
0xFFFFF3AE	Port input level control register P7	PILC7	-	-	R/W	-	0x0000
0xFFFFF3AE	Port input level control register P7 low byte	PILC7L	R/W	R/W	-	-	0x00
0xFFFFF3AF	Port input level control register P7 high byte	PILC7H	R/W	R/W	-	-	0x00
0xFFFFF3B0	Port input level control register P8	PILC8	R/W	R/W	-	-	0x00
0xFFFFF3B2	Port input level control register P9	PILC9	R/W	R/W	-	-	0x00
0xFFFFF3B4	Port input level control register P10	PILC10	R/W	R/W	-	-	0x00
0xFFFFF3B6	Port input level control register P11	PILC11	R/W	R/W	-	-	0x00
0xFFFFF3B8	Port input level control register P12	PILC12	R/W	R/W	-	-	0x00
0xFFFFF3BA	Port input level control register P13	PILC13	R/W	R/W	-	-	0x00
0xFFFFF3C0	Port pin read register P0	PPR0	R	R	-	-	0x00
0xFFFFF3C2	Port pin read register P1	PPR1	R	R	-	-	0x00
0xFFFFF3C4	Port pin read register P2	PPR2	R	R	-	-	0x00
0xFFFFF3C6	Port pin read register P3	PPR3	R	R	-	-	0x00
0xFFFFF3C8	Port pin read register P4	PPR4	R	R	-	-	0x00
0xFFFFF3CA	Port pin read register P5	PPR5	R	R	-	-	0x00
0xFFFFF3CC	Port pin read register P6	PPR6	R	R	-	-	0x00
0xFFFFF3D0	Port pin read register P8	PPR8	R	R	-	-	0x00
0xFFFFF3D2	Port pin read register P9	PPR9	R	R	-	-	0x00
0xFFFFF3D4	Port pin read register P10	PPR10	R	R	-	-	0x00
0xFFFFF3D6	Port pin read register P11	PPR11	R	R	-	-	0x00
0xFFFFF3D8	Port pin read register P12	PPR12	R	R	-	-	0x00
0xFFFFF3DA	Port pin read register P13	PPR13	R	R	-	-	0x00
0xFFFFF3DC	Port pin read register P14	PPR14	R	R	-	-	0x00
0xFFFFF3E0	Port read control register P0	PRC0	R/W	R/W	-	-	0x00
0xFFFFF3E2	Port read control register P1	PRC1	R/W	R/W	-	-	0x00
0xFFFFF3E4	Port read control register P2	PRC2	R/W	R/W	-	-	0x00
0xFFFFF3E6	Port read control register P3	PRC3	R/W	R/W	-	-	0x00
0xFFFFF3E8	Port read control register P4	PRC4	R/W	R/W	-	-	0x00
0xFFFFF3EA	Port read control register P5	PRC5	R/W	R/W	-	-	0x00
0xFFFFF3EC	Port read control register P6	PRC6	R/W	R/W	-	-	0x00
0xFFFFF3F0	Port read control register P8	PRC8	R/W	R/W	-	-	0x00
0xFFFFF3F2	Port read control register P9	PRC9	R/W	R/W	-	-	0x00
0xFFFFF3F4	Port read control register P10	PRC10	R/W	R/W	-	-	0x00
0xFFFFF3F6	Port read control register P11	PRC11	R/W	R/W	-	-	0x00
0xFFFFF3F8	Port read control register P12	PRC12	R/W	R/W	-	-	0x00
0xFFFFF3FA	Port read control register P13	PRC13	R/W	R/W	-	-	0x00
0xFFFFF3FC	Port read control register P14	PRC14	R/W	R/W	-	-	0x00
0xFFFFF400	Port register port 0	P0	R/W	R/W	-	-	0x00
0xFFFFF402	Port register port 1	P1	R/W	R/W	-	-	0x00
0xFFFFF404	Port register port 2	P2	R/W	R/W	-	-	0x00

Table B-2 Other special function registers (8/20)

Address	Register name	Shortcut	1	8	16	32	Initial value
0xFFFF406	Port register port 3	P3	R/W	R/W	-	-	0x00
0xFFFF408	Port register port 4	P4	R/W	R/W	-	-	0x00
0xFFFF40A	Port register port 5	P5	R/W	R/W	-	-	0x00
0xFFFF40C	Port register port 6	P6	R/W	R/W	-	-	0x00
0xFFFF40E	Port register port 7	P7	-	-	R/W	-	0x0000
0xFFFF40E	Port register port 7 low byte	P7L	R/W	R/W	-	-	0x00
0xFFFF40F	Port register port 7 high byte	P7H	R/W	R/W	-	-	0x00
0xFFFF410	Port register port 8	P8	R/W	R/W	-	-	0x00
0xFFFF412	Port register port 9	P9	R/W	R/W	-	-	0x00
0xFFFF414	Port register port 10	P10	R/W	R/W	-	-	0x00
0xFFFF416	Port register port 11	P11	R/W	R/W	-	-	0x00
0xFFFF418	Port register port 12	P12	R/W	R/W	-	-	0x00
0xFFFF41A	Port register port 13	P13	R/W	R/W	-	-	0x00
0xFFFF41C	Port register port 14	P14	R/W	R/W	-	-	0x00
0xFFFF420	Port mode register port 0	PM0	R/W	R/W	-	-	0xFF
0xFFFF422	Port mode register port 1	PM1	R/W	R/W	-	-	0xFF
0xFFFF424	Port mode register port 2	PM2	R/W	R/W	-	-	0xFF
0xFFFF426	Port mode register port 3	PM3	R/W	R/W	-	-	0xFF
0xFFFF428	Port mode register port 4	PM4	R/W	R/W	-	-	0xFF
0xFFFF42A	Port mode register port 5	PM5	R/W	R/W	-	-	0xFF
0xFFFF42C	Port mode register port 6	PM6	R/W	R/W	-	-	0xFF
0xFFFF430	Port mode register port 8	PM8	R/W	R/W	-	-	0xFF
0xFFFF432	Port mode register port 9	PM9	R/W	R/W	-	-	0xFF
0xFFFF434	Port mode register port 10	PM10	R/W	R/W	-	-	0xFF
0xFFFF436	Port mode register port 11	PM11	R/W	R/W	-	-	0xFF
0xFFFF438	Port mode register port 12	PM12	R/W	R/W	-	-	0xFF
0xFFFF43A	Port mode register port 13	PM13	R/W	R/W	-	-	0xFF
0xFFFF43C	Port mode register port 14	PM14	R/W	R/W	-	-	0xFF
0xFFFF440	Port mode control register port 0	PMC0	R/W	R/W	-	-	0x00
0xFFFF442	Port mode control register port 1	PMC1	R/W	R/W	-	-	0x00
0xFFFF444	Port mode control register port 2	PMC2	R/W	R/W	-	-	0x00
0xFFFF446	Port mode control register port 3	PMC3	R/W	R/W	-	-	0x00
0xFFFF448	Port mode control register port 4	PMC4	R/W	R/W	-	-	0x00
0xFFFF44A	Port mode control register port 5	PMC5	R/W	R/W	-	-	0x00
0xFFFF44C	Port mode control register port 6	PMC6	R/W	R/W	-	-	0x00
0xFFFF44E	Port mode control register port 7	PMC7	-	-	R/W	-	0x0000
0xFFFF44E	Port mode control register port 7 low byte	PMC7L	R/W	R/W	-	-	0x00
0xFFFF44F	Port mode control register port 7 high byte	PMC7H	R/W	R/W	-	-	0x00
0xFFFF450	Port mode control register port 8	PMC8	R/W	R/W	-	-	0x00
0xFFFF452	Port mode control register port 9	PMC9	R/W	R/W	-	-	0x00
0xFFFF454	Port mode control register port 10	PMC10	R/W	R/W	-	-	0x00

Table B-2 Other special function registers (9/20)

Address	Register name	Shortcut	1	8	16	32	Initial value
0xFFFF456	Port mode control register port 11	PMC11	R/W	R/W	-	-	0x00
0xFFFF458	Port mode control register port 12	PMC12	R/W	R/W	-	-	0x00
0xFFFF45A	Port mode control register port 13	PMC13	R/W	R/W	-	-	0x00
0xFFFF45C	Port mode control register port 14	PMC14	R/W	R/W	-	-	0x00
0xFFFF460	Port function control register port 0	PFC0	R/W	R/W	-	-	0x20
0xFFFF462	Port function control register port 1	PFC1	R/W	R/W	-	-	0x00
0xFFFF464	Port function control register port 2	PFC2	R/W	R/W	-	-	0x00
0xFFFF466	Port function control register port 3	PFC3	R/W	R/W	-	-	0x00
0xFFFF46A	Port function control register port 5	PFC5	R/W	R/W	-	-	0x00
0xFFFF46C	Port function control register port 6	PFC6	R/W	R/W	-	-	0x00
0xFFFF470	Port function control register port 8	PFC8	R/W	R/W	-	-	0x00
0xFFFF472	Port function control register port 9	PFC9	R/W	R/W	-	-	0x00
0xFFFF474	Port function control register port 10	PFC10	R/W	R/W	-	-	0x00
0xFFFF476	Port function control register port 11	PFC11	R/W	R/W	-	-	0x00
0xFFFF47A	Port function control register port 13	PFC13	R/W	R/W	-	-	0x00
0xFFFF480	Bus cycle type configuration register 0	BCT0	-	-	R/W	-	0x0000
0xFFFF482	Bus cycle type configuration register 1	BCT1	-	-	R/W	-	0x0000
0xFFFF484	Data wait control register 0	DWC0	-	-	R/W	-	0x7777
0xFFFF486	Data wait control register 1	DWC1	-	-	R/W	-	0x7777
0xFFFF488	Bus cycle control register	BCC	-	-	R/W	-	0xFFFF
0xFFFF48A	Address setting wait control register	ASC	-	-	R/W	-	0xFFFF
0xFFFF48E	Local bus size control register	LBS	-	-	R/W	-	0xAAAA
0xFFFF498	Bus mode control register	BMC	R/W	-	-	-	0x00
0xFFFF49A	Page ROM control register	PRC	-	-	R/W	-	0x7000
0xFFFF560	Synchronized counter read register WT0	WT0CNT0	-	-	R	-	0x0000
0xFFFF562	Non-synchronized counter read register WT0	WT0CNT1	-	-	R	-	0x0000
0xFFFF564	Counter reload register WT0	WT0R	-	-	R/W	-	0x0000
0xFFFF566	Control register WT0	WT0CTL	R/W	R/W	-	-	0x00
0xFFFF570	Synchronized counter read register WT1	WT1CNT0	-	-	R	-	0x0000
0xFFFF572	Non-synchronized counter read register WT1	WT1CNT1	-	-	R	-	0x0000
0xFFFF574	Counter reload register WT1	WT1R	-	-	R/W	-	0x0000
0xFFFF576	Control register WT1	WT1CTL	R/W	R/W	-	-	0x00
0xFFFF580	Synchronized counter 0 read register TMY0	TY0CNT00	-	-	R	-	0x0000
0xFFFF582	Non-synchronized counter 0 read register TMY0	TY0CNT01	-	-	R	-	0x0000
0xFFFF584	Synchronized counter 1 read register TMY0	TY0CNT10	-	-	R	-	0x0000
0xFFFF586	Non-synchronized counter 1 read register TMY0	TY0CNT11	-	-	R	-	0x0000
0xFFFF588	Counter 0 reload register TMY0	TY0R0	-	-	R/W	-	0x0000
0xFFFF58A	Counter 1 reload register TMY0	TY0R1	-	-	R/W	-	0x0000
0xFFFF58C	I/O control register TMY0	TY0IOC	R/W	R/W	-	-	0x00
0xFFFF58D	Control register 0 TMY0	TY0CTL	R/W	R/W	-	-	0x00
0xFFFF590	Watchdog timer Frequency select register	WDCS	R/W	R/W	-	-	0x07

Table B-2 Other special function registers (10/20)

Address	Register name	Shortcut	1	8	16	32	Initial value
0xFFFFF592	Watchdog timer security register	WCMD	R/W	R/W	-	-	undefined
0xFFFFF594	Watchdog timer mode register	WDTM	R/W	R/W	-	-	0x00
0xFFFFF596	Watchdog timer error register	WPHS	R/W	R/W	-	-	0x00
0xFFFFF5A0	SG0 Frequency register	SG0F	-	-	-	R/W	0x00000000
0xFFFFF5A0	SG0 Frequency register low	SG0FL	-	-	R/W	-	0x0000
0xFFFFF5A2	SG0 Frequency register high	SG0FH	-	-	R/W	-	0x0000
0xFFFFF5A4	SG0 Amplitude register	SG0PWM	-	-	R/W	-	0x0000
0xFFFFF5A6	SG0 Duration factor register	SG0SDF	R/W	R/W	-	-	0x00
0xFFFFF5A7	SG0 Control register	SG0CTL	R/W	R/W	-	-	0x00
0xFFFFF5A8	SG0 Interrupt threshold register	SG0ITH	-	-	R/W	-	0x0000
0xFFFFF5C0	Timer Mode Control register 0	MCNTC00	R/W	R/W	-	-	0x00
0xFFFFF5C2	Compare register 1HW	MCMP01HW	-	-	R/W	-	0x0000
0xFFFFF5C2	Compare register 10	MCMP010	-	R/W	-	-	0x00
0xFFFFF5C3	Compare register 11	MCMP011	-	R/W	-	-	0x00
0xFFFFF5C4	Compare register 2HW	MCMP02HW	-	-	R/W	-	0x0000
0xFFFFF5C4	Compare register 20	MCMP020	-	R/W	-	-	0x00
0xFFFFF5C5	Compare register 21	MCMP021	-	R/W	-	-	0x00
0xFFFFF5C6	Compare register 3HW	MCMP03HW	-	-	R/W	-	0x0000
0xFFFFF5C6	Compare register 30	MCMP030	-	R/W	-	-	0x00
0xFFFFF5C7	Compare register 31	MCMP031	-	R/W	-	-	0x00
0xFFFFF5C8	Compare register 4HW	MCMP04HW	-	-	R/W	-	0x0000
0xFFFFF5C8	Compare register 40	MCMP040	-	R/W	-	-	0x00
0xFFFFF5C9	Compare register 41	MCMP041	-	R/W	-	-	0x00
0xFFFFF5CA	Compare Control register 1	MCMPC01	R/W	R/W	-	-	0x00
0xFFFFF5CC	Compare Control register 2	MCMPC02	R/W	R/W	-	-	0x00
0xFFFFF5CE	Compare Control register 3	MCMPC03	R/W	R/W	-	-	0x00
0xFFFFF5D0	Compare Control register 4	MCMPC04	R/W	R/W	-	-	0x00
0xFFFFF5D4	Timer Mode Control register 1	MCNTC01	R/W	R/W	-	-	0x00
0xFFFFF5D6	Compare register 5HW	MCMP05HW	-	-	R/W	-	0x0000
0xFFFFF5D6	Compare register 50	MCMP050	-	R/W	-	-	0x00
0xFFFFF5D7	Compare register 51	MCMP051	-	R/W	-	-	0x00
0xFFFFF5D8	Compare register 6HW	MCMP06HW	-	-	R/W	-	0x0000
0xFFFFF5D8	Compare register 60	MCMP060	-	R/W	-	-	0x00
0xFFFFF5D9	Compare register 61	MCMP061	-	R/W	-	-	0x00
0xFFFFF5DA	Compare Control register 5	MCMPC05	R/W	R/W	-	-	0x00
0xFFFFF5DC	Compare Control register 6	MCMPC06	R/W	R/W	-	-	0x00
0xFFFFF5E4	TM00 16-bit capture/compare register 0	CR001	-	-	R/W	-	0x0000
0xFFFFF5E6	TM00 Control register	TMC00	R/W	R/W	-	-	0x00
0xFFFFF5E7	TM00 Prescaler mode register	PRM00	R/W	R/W	-	-	0x00
0xFFFFF5E8	TM00 Capture/Compare Control register	CRC00	R/W	R/W	-	-	0x00
0xFFFFF600	TMZ0 Synchronized counter read register	TZ0CNT0	-	-	R	-	0x0000



Table B-2 Other special function registers (11/20)

Address	Register name	Shortcut	1	8	16	32	Initial value
0xFFFFF602	TMZ0 non-synchronized counter read register	TZ0CNT1	-	-	R	-	0x0000
0xFFFFF604	TMZ0 counter reload register	TZ0R	-	-	R/W	-	0x0000
0xFFFFF606	TMZ0 control register	TZ0CTL	R/W	R/W	-	-	0x00
0xFFFFF608	TMZ1 Synchronized counter read register	TZ1CNT0	-	-	R	-	0x0000
0xFFFFF60A	TMZ1 non-synchronized counter read register	TZ1CNT1	-	-	R	-	0x0000
0xFFFFF60C	TMZ1 counter reload register	TZ1R	-	-	R/W	-	0x0000
0xFFFFF60E	TMZ1 control register	TZ1CTL	R/W	R/W	-	-	0x00
0xFFFFF610	TMZ2 Synchronized counter read register	TZ2CNT0	-	-	R	-	0x0000
0xFFFFF612	TMZ2 non-synchronized counter read register	TZ2CNT1	-	-	R	-	0x0000
0xFFFFF614	TMZ2 counter reload register	TZ2R	-	-	R/W	-	0x0000
0xFFFFF616	TMZ2 control register	TZ2CTL	R/W	R/W	-	-	0x00
0xFFFFF618	TMZ3 Synchronized counter read register	TZ3CNT0	-	-	R	-	0x0000
0xFFFFF61A	TMZ3 non-synchronized counter read register	TZ3CNT1	-	-	R	-	0x0000
0xFFFFF61C	TMZ3 counter reload register	TZ3R	-	-	R/W	-	0x0000
0xFFFFF61E	TMZ3 control register	TZ3CTL	R/W	R/W	-	-	0x00
0xFFFFF620	TMZ4 Synchronized counter read register	TZ4CNT0	-	-	R	-	0x0000
0xFFFFF622	TMZ4 non-synchronized counter read register	TZ4CNT1	-	-	R	-	0x0000
0xFFFFF624	TMZ4 counter reload register	TZ4R	-	-	R/W	-	0x0000
0xFFFFF626	TMZ4 control register	TZ4CTL	R/W	R/W	-	-	0x00
0xFFFFF628	TMZ5 Synchronized counter read register	TZ5CNT0	-	-	R	-	0x0000
0xFFFFF62A	TMZ5 non-synchronized counter read register	TZ5CNT1	-	-	R	-	0x0000
0xFFFFF62C	TMZ5 counter reload register	TZ5R	-	-	R/W	-	0x0000
0xFFFFF62E	TMZ5 control register	TZ5CTL	R/W	R/W	-	-	0x00
0xFFFFF630	TMZ6 Synchronized counter read register	TZ6CNT0	-	-	R	-	0x0000
0xFFFFF632	TMZ6 non-synchronized counter read register	TZ6CNT1	-	-	R	-	0x0000
0xFFFFF634	TMZ6 counter reload register	TZ6R	-	-	R/W	-	0x0000
0xFFFFF636	TMZ6 control register	TZ6CTL	R/W	R/W	-	-	0x00
0xFFFFF638	TMZ7 Synchronized counter read register	TZ7CNT0	-	-	R	-	0x0000
0xFFFFF63A	TMZ7 non-synchronized counter read register	TZ7CNT1	-	-	R	-	0x0000
0xFFFFF63C	TMZ7 counter reload register	TZ7R	-	-	R/W	-	0x0000
0xFFFFF63E	TMZ7 control register	TZ7CTL	R/W	R/W	-	-	0x00
0xFFFFF640	TMZ8 Synchronized counter read register	TZ8CNT0	-	-	R	-	0x0000
0xFFFFF642	TMZ8 non-synchronized counter read register	TZ8CNT1	-	-	R	-	0x0000
0xFFFFF644	TMZ8 counter reload register	TZ8R	-	-	R/W	-	0x0000
0xFFFFF646	TMZ8 control register	TZ8CTL	R/W	R/W	-	-	0x00
0xFFFFF648	TMZ9 Synchronized counter read register	TZ9CNT0	-	-	R	-	0x0000
0xFFFFF64A	TMZ9 non-synchronized counter read register	TZ9CNT1	-	-	R	-	0x0000
0xFFFFF64C	TMZ9 counter reload register	TZ9R	-	-	R/W	-	0x0000
0xFFFFF64E	TMZ9 control register	TZ9CTL	R/W	R/W	-	-	0x00
0xFFFFF660	TMP0 timer control register 0	TP0CTL0	R/W	R/W	-	-	0x00
0xFFFFF661	TMP0 timer control register 1	TP0CTL1	R/W	R/W	-	-	0x00

Table B-2 Other special function registers (12/20)

Address	Register name	Shortcut	1	8	16	32	Initial value
0xFFFFF662	TMP0 timer-specific I/O control register 0	TP0IOC0	R/W	R/W	-	-	0x00
0xFFFFF663	TMP0 timer-specific I/O control register 1	TP0IOC1	R/W	R/W	-	-	0x00
0xFFFFF664	TMP0 timer-specific I/O control register 2	TP0IOC2	R/W	R/W	-	-	0x00
0xFFFFF665	TMP0 option register	TP0OPT0	R/W	R/W	-	-	0x00
0xFFFFF666	TMP0 capture/compare register 0	TP0CCR0	-	-	R/W	-	0x0000
0xFFFFF668	TMP0 capture/compare register 1	TP0CCR1	-	-	R/W	-	0x0000
0xFFFFF66A	TMP0 count register	TP0CNT	-	-	R	-	0x0000
0xFFFFF670	TMP1 timer control register 0	TP1CTL0	R/W	R/W	-	-	0x00
0xFFFFF671	TMP1 timer control register 1	TP1CTL1	R/W	R/W	-	-	0x00
0xFFFFF672	TMP1 timer-specific I/O control register 0	TP1IOC0	R/W	R/W	-	-	0x00
0xFFFFF673	TMP1 timer-specific I/O control register 1	TP1IOC1	R/W	R/W	-	-	0x00
0xFFFFF674	TMP1 timer-specific I/O control register 2	TP1IOC2	R/W	R/W	-	-	0x00
0xFFFFF675	TMP1 option register	TP1OPT0	R/W	R/W	-	-	0x00
0xFFFFF676	TMP1 capture/compare register 0	TP1CCR0	-	-	R/W	-	0x0000
0xFFFFF678	TMP1 capture/compare register 1	TP1CCR1	-	-	R/W	-	0x0000
0xFFFFF67A	TMP1 count register	TP1CNT	-	-	R	-	0x0000
0xFFFFF680	TMP2 timer control register 0	TP2CTL0	R/W	R/W	-	-	0x00
0xFFFFF681	TMP2 timer control register 1	TP2CTL1	R/W	R/W	-	-	0x00
0xFFFFF682	TMP2 timer-specific I/O control register 0	TP2IOC0	R/W	R/W	-	-	0x00
0xFFFFF683	TMP2 timer-specific I/O control register 1	TP2IOC1	R/W	R/W	-	-	0x00
0xFFFFF684	TMP2 timer-specific I/O control register 2	TP2IOC2	R/W	R/W	-	-	0x00
0xFFFFF685	TMP2 option register	TP2OPT0	R/W	R/W	-	-	0x00
0xFFFFF686	TMP2 capture/compare register 0	TP2CCR0	-	-	R/W	-	0x0000
0xFFFFF688	TMP2 capture/compare register 1	TP2CCR1	-	-	R/W	-	0x0000
0xFFFFF68A	TMP2 count register	TP2CNT	-	-	R	-	0x0000
0xFFFFF690	TMP3 timer control register 0	TP3CTL0	R/W	R/W	-	-	0x00
0xFFFFF691	TMP3 timer control register 1	TP3CTL1	R/W	R/W	-	-	0x00
0xFFFFF692	TMP3 timer-specific I/O control register 0	TP3IOC0	R/W	R/W	-	-	0x00
0xFFFFF693	TMP3 timer-specific I/O control register 1	TP3IOC1	R/W	R/W	-	-	0x00
0xFFFFF694	TMP3 timer-specific I/O control register 2	TP3IOC2	R/W	R/W	-	-	0x00
0xFFFFF695	TMP3 option register	TP3OPT0	R/W	R/W	-	-	0x00
0xFFFFF696	TMP3 capture/compare register 0	TP3CCR0	-	-	R/W	-	0x0000
0xFFFFF698	TMP3 capture/compare register 1	TP3CCR1	-	-	R/W	-	0x0000
0xFFFFF69A	TMP3 count register	TP3CNT	-	-	R	-	0x0000
0xFFFFF6A0	Timer mode register TMG 0	TMGM0	-	-	R/W	-	0x0000
0xFFFFF6A0	Timer mode register TMG 0 low byte	TMGM0L	R/W	R/W	-	-	0x00
0xFFFFF6A1	Timer mode register TMG 0 high byte	TMGM0H	R/W	R/W	-	-	0x00
0xFFFFF6A2	Channel mode register TMG 0	TMGCM0	-	-	R/W	-	0x0000
0xFFFFF6A2	Channel mode register TMG 0 low byte	TMGCM0L	R/W	R/W	-	-	0x00
0xFFFFF6A3	Channel mode register TMG 0 high byte	TMGCM0H	R/W	R/W	-	-	0x00
0xFFFFF6A4	Output control register TMG 0	OCTLG0	-	-	R/W	-	0x4444

Table B-2 Other special function registers (13/20)

Address	Register name	Shortcut	1	8	16	32	Initial value
0xFFFFF6A4	Output control register TMG 0 low byte	OCTLG0L	R/W	R/W	-	-	0x44
0xFFFFF6A5	Output control register TMG 0 high byte	OCTLG0H	R/W	R/W	-	-	0x44
0xFFFFF6A6	Time base status register TMG 0	TMGST0	R	R	-	-	0x00
0xFFFFF6A8	Timer count register 0 TMG 0	TMG00	-	-	R	-	0x0000
0xFFFFF6AA	Timer count register 1 TMG 0	TMG01	-	-	R	-	0x0000
0xFFFFF6AC	Capture / Compare register 0 TMG 0	GCC00	-	-	R/W	-	0x0000
0xFFFFF6AE	Capture / Compare register 1 TMG 0	GCC01	-	-	R/W	-	0x0000
0xFFFFF6B0	Capture / Compare register 2 TMG 0	GCC02	-	-	R/W	-	0x0000
0xFFFFF6B2	Capture / Compare register 3 TMG 0	GCC03	-	-	R/W	-	0x0000
0xFFFFF6B4	Capture / Compare register 4 TMG 0	GCC04	-	-	R/W	-	0x0000
0xFFFFF6B6	Capture / Compare register 5 TMG 0	GCC05	-	-	R/W	-	0x0000
0xFFFFF6C0	Timer mode register TMG 1	TMGM1	-	-	R/W	-	0x0000
0xFFFFF6C0	Timer mode register TMG 1 low byte	TMGM1L	R/W	R/W	-	-	0x00
0xFFFFF6C1	Timer mode register TMG 1 high byte	TMGM1H	R/W	R/W	-	-	0x00
0xFFFFF6C2	Channel mode register TMG 1	TMGCM1	-	-	R/W	-	0x0000
0xFFFFF6C2	Channel mode register TMG 1 low byte	TMGCM1L	R/W	R/W	-	-	0x00
0xFFFFF6C3	Channel mode register TMG 1 high byte	TMGCM1H	R/W	R/W	-	-	0x00
0xFFFFF6C4	Output control register TMG 1	OCTLG1	-	-	R/W	-	0x4444
0xFFFFF6C4	Output control register TMG 1 low byte	OCTLG1L	R/W	R/W	-	-	0x44
0xFFFFF6C5	Output control register TMG 1 high byte	OCTLG1H	R/W	R/W	-	-	0x44
0xFFFFF6C6	Time base status TMG 1	TMGST1	R	R	-	-	0x00
0xFFFFF6C8	Timer count register 0 TMG 1	TMG10	-	-	R	-	0x0000
0xFFFFF6CA	Timer count register 1 TMG 1	TMG11	-	-	R	-	0x0000
0xFFFFF6CC	Capture / Compare register 0 TMG 1	GCC10	-	-	R/W	-	0x0000
0xFFFFF6CE	Capture / Compare register 1 TMG 1	GCC11	-	-	R/W	-	0x0000
0xFFFFF6D0	Capture / Compare register 2 TMG 1	GCC12	-	-	R/W	-	0x0000
0xFFFFF6D2	Capture / Compare register 3 TMG 1	GCC13	-	-	R/W	-	0x0000
0xFFFFF6D4	Capture / Compare register 4 TMG 1	GCC14	-	-	R/W	-	0x0000
0xFFFFF6D6	Capture / Compare register 5 TMG 1	GCC15	-	-	R/W	-	0x0000
0xFFFFF6E0	Timer mode register TMG 2	TMGM2	-	-	R/W	-	0x0000
0xFFFFF6E0	Timer mode register TMG 2 low byte	TMGM2L	R/W	R/W	-	-	0x00
0xFFFFF6E1	Timer mode register TMG 2 high byte	TMGM2H	R/W	R/W	-	-	0x00
0xFFFFF6E2	Channel mode register TMG 2	TMGCM2	-	-	R/W	-	0x0000
0xFFFFF6E2	Channel mode register TMG 2 low byte	TMGCM2L	R/W	R/W	-	-	0x00
0xFFFFF6E3	Channel mode register TMG 2 high byte	TMGCM2H	R/W	R/W	-	-	0x00
0xFFFFF6E4	Output control register TMG 2	OCTLG2	-	-	R/W	-	0x4444
0xFFFFF6E4	Output control register TMG 2 low byte	OCTLG2L	R/W	R/W	-	-	0x44
0xFFFFF6E5	Output control register TMG 2 high byte	OCTLG2H	R/W	R/W	-	-	0x44
0xFFFFF6E6	Time base status TMG 2	TMGST2	R	R	-	-	0x00
0xFFFFF6E8	Timer count register 0 TMG 2	TMG20	-	-	R	-	0x0000
0xFFFFF6EA	Timer count register 1 TMG 2	TMG21	-	-	R	-	0x0000

Table B-2 Other special function registers (14/20)

Address	Register name	Shortcut	1	8	16	32	Initial value
0xFFFF6EC	Capture / Compare register 0 TMG 2	GCC20	-	-	R/W	-	0x0000
0xFFFF6EE	Capture / Compare register 1 TMG 2	GCC21	-	-	R/W	-	0x0000
0xFFFF6F0	Capture / Compare register 2 TMG 2	GCC22	-	-	R/W	-	0x0000
0xFFFF6F2	Capture / Compare register 3 TMG 2	GCC23	-	-	R/W	-	0x0000
0xFFFF6F4	Capture / Compare register 4 TMG 2	GCC24	-	-	R/W	-	0x0000
0xFFFF6F6	Capture / Compare register 5 TMG 2	GCC25	-	-	R/W	-	0x0000
0xFFFF700	Interrupt mode register 0	INTM0	R/W	R/W	-	-	0x00
0xFFFF702	Interrupt mode register 1	INTM1	R/W	R/W	-	-	0x00
0xFFFF704	Interrupt mode register 2	INTM2	R/W	R/W	-	-	0x00
0xFFFF706	Interrupt mode register 3	INTM3	R/W	R/W	-	-	0x00
0xFFFF710	Digital filter enable register 0	DFEN0	-	-	R/W	-	0x0000
0xFFFF710	Digital filter enable register 0 low byte	DFEN0L	R/W	R/W	-	-	0x00
0xFFFF711	Digital filter enable register 0 high byte	DFEN0H	R/W	R/W	-	-	0x00
0xFFFF712	Digital filter enable register 1	DFEN1	-	-	R/W	-	0x0000
0xFFFF712	Digital filter enable register 1 low byte	DFEN1L	R/W	R/W	-	-	0x00
0xFFFF713	Digital filter enable register 1 high byte	DFEN1H	R/W	R/W	-	-	0x00
0xFFFF71A	Sub oscillator clock monitor control register	CLMCS	R/W	R/W	-	-	0x00
0xFFFF720	Peripheral Function Select register 0	PFSR0	R/W	R/W	-	-	0x01
0xFFFF726	Peripheral Function Select register 3	PFSR3	R/W	R/W	-	-	0x01
0xFFFF800	Protection register	PHCMD	-	R/W	-	-	undefined
0xFFFF802	Peripheral status	PHS	R/W	R/W	-	-	0x00
0xFFFF820	Power Save Mode	PSM	R/W	R/W	-	-	0x08/0x00
0xFFFF822	Clock Control	CKC	-	R/W	-	-	0x00
0xFFFF824	Clock Generator Status	CGSTAT	-	R	-	-	0x0D
0xFFFF826	Watch Dog Clock Control	WCC	-	R/W	-	-	0x00
0xFFFF828	Processor Clock Control	PCC	-	R/W	-	-	0x10
0xFFFF82A	Frequency Modulation Control	SCFMC	R/W	R/W	-	-	0x00
0xFFFF82C	Frequency Control 0	SCFC0	R/W	R/W	-	-	0x52
0xFFFF82E	Frequency Control 1	SCFC1	R/W	R/W	-	-	0xEB
0xFFFF830	SSCG Postscaler Control	SCPS	R/W	R/W	-	-	0x21
0xFFFF832	SPCLK Control	SCC	R/W	R/W	-	-	0x00
0xFFFF834	FOUTCLK Control	FCC	R/W	R/W	-	-	0x00
0xFFFF836	Watch Timer Clock Control	TCC	R/W	R/W	-	-	0x00
0xFFFF838	IIC Clock Control	ICC	R/W	R/W	-	-	0x00
0xFFFF83C	Set Default Clock	SDC	-	R/W	-	-	0x00
0xFFFF840	VFB flash/ROM correction address register 0	CORAD0	-	-	-	R/W	0x00000000
0xFFFF840	VFB flash/ROM correction address register 0L	CORAD0L	-	-	R/W	-	0x0000
0xFFFF842	VFB flash/ROM correction address register 0H	CORAD0H	-	-	R/W	-	0x0000
0xFFFF844	VFB flash/ROM correction address register 1	CORAD1	-	-	-	R/W	0x00000000
0xFFFF844	VFB flash/ROM correction address register 1L	CORAD1L	-	-	R/W	-	0x0000
0xFFFF846	VFB flash/ROM correction address register 1H	CORAD1H	-	-	R/W	-	0x0000

Table B-2 Other special function registers (15/20)

Address	Register name	Shortcut	1	8	16	32	Initial value
0xFFFFF848	VFB flash/ROM correction address register 2	CORAD2	-	-	-	R/W	0x00000000
0xFFFFF848	VFB flash/ROM correction address register 2L	CORAD2L	-	-	R/W	-	0x0000
0xFFFFF84A	VFB flash/ROM correction address register 2H	CORAD2H	-	-	R/W	-	0x0000
0xFFFFF84C	VFB flash/ROM correction address register 3	CORAD3	-	-	-	R/W	0x00000000
0xFFFFF84C	VFB flash/ROM correction address register 3L	CORAD3L	-	-	R/W	-	0x0000
0xFFFFF84E	VFB flash/ROM correction address register 3H	CORAD3H	-	-	R/W	-	0x0000
0xFFFFF850	VFB flash/ROM correction address register 4	CORAD4	-	-	-	R/W	0x00000000
0xFFFFF850	VFB flash/ROM correction address register 4L	CORAD4L	-	-	R/W	-	0x0000
0xFFFFF852	VFB flash/ROM correction address register 4H	CORAD4H	-	-	R/W	-	0x0000
0xFFFFF854	VFB flash/ROM correction address register 5	CORAD5	-	-	-	R/W	0x00000000
0xFFFFF854	VFB flash/ROM correction address register 5L	CORAD5L	-	-	R/W	-	0x0000
0xFFFFF856	VFB flash/ROM correction address register 5H	CORAD5H	-	-	R/W	-	0x0000
0xFFFFF858	VFB flash/ROM correction address register 6	CORAD6	-	-	-	R/W	0x00000000
0xFFFFF858	VFB flash/ROM correction address register 6L	CORAD6L	-	-	R/W	-	0x0000
0xFFFFF85A	VFB flash/ROM correction address register 6H	CORAD6H	-	-	R/W	-	0x0000
0xFFFFF85C	VFB flash/ROM correction address register 7	CORAD7	-	-	-	R/W	0x00000000
0xFFFFF85C	VFB flash/ROM correction address register 7L	CORAD7L	-	-	R/W	-	0x0000
0xFFFFF85E	VFB flash/ROM correction address register 7H	CORAD7H	-	-	R/W	-	0x0000
0xFFFFF870	Main oscillator clock monitor mode register	CLMM	R/W	R/W	-	-	0x00
0xFFFFF878	Sub oscillator clock monitor mode register	CLMS	R/W	R/W	-	-	0x00
0xFFFFF880	VFB flash/ROM correction control register	CORCN	-	R/W	-	-	0x0000
0xFFFFF8A0	VSB flash correction address register 0	COR2AD0	-	-	-	R/W	0x00000000
0xFFFFF8A0	VSB flash correction address register 0L	COR2AD0L	-	-	R/W	-	0x0000
0xFFFFF8A2	VSB flash correction address register 0H	COR2AD0H	-	-	R/W	-	0x0000
0xFFFFF8A4	VSB flash correction address register 1	COR2AD1	-	-	-	R/W	0x00000000
0xFFFFF8A4	VSB flash correction address register 1L	COR2AD1L	-	-	R/W	-	0x0000
0xFFFFF8A6	VSB flash correction address register 1H	COR2AD1H	-	-	R/W	-	0x0000
0xFFFFF8A8	VSB flash correction address register 2	COR2AD2	-	-	-	R/W	0x00000000
0xFFFFF8A8	VSB flash correction address register 2L	COR2AD2L	-	-	R/W	-	0x0000
0xFFFFF8AA	VSB flash correction address register 2H	COR2AD2H	-	-	R/W	-	0x0000
0xFFFFF8AC	VSB flash correction address register 3	COR2AD3	-	-	-	R/W	0x00000000
0xFFFFF8AC	VSB flash correction address register 3L	COR2AD3L	-	-	R/W	-	0x0000
0xFFFFF8AE	VSB flash correction address register 3H	COR2AD3H	-	-	R/W	-	0x0000
0xFFFFF8B0	VSB flash correction address register 4	COR2AD4	-	-	-	R/W	0x00000000
0xFFFFF8B0	VSB flash correction address register 4L	COR2AD4L	-	-	R/W	-	0x0000
0xFFFFF8B2	VSB flash correction address register 4H	COR2AD4H	-	-	R/W	-	0x0000
0xFFFFF8B4	VSB flash correction address register 5	COR2AD5	-	-	-	R/W	0x00000000
0xFFFFF8B4	VSB flash correction address register 5L	COR2AD5L	-	-	R/W	-	0x0000
0xFFFFF8B6	VSB flash correction address register 5H	COR2AD5H	-	-	R/W	-	0x0000
0xFFFFF8B8	VSB flash correction address register 6	COR2AD6	-	-	-	R/W	0x00000000
0xFFFFF8B8	VSB flash correction address register 6L	COR2AD6L	-	-	R/W	-	0x0000

Table B-2 Other special function registers (16/20)

Address	Register name	Shortcut	1	8	16	32	Initial value
0xFFFFF8BA	VSB flash correction address register 6H	COR2AD6H	-	-	R/W	-	0x0000
0xFFFFF8BC	VSB flash correction address register 7	COR2AD7	-	-	-	R/W	0x00000000
0xFFFFF8BC	VSB flash correction address register 7L	COR2AD7L	-	-	R/W	-	0x0000
0xFFFFF8BE	VSB flash correction address register 7L	COR2AD7H	-	-	R/W	-	0x0000
0xFFFFF900	VFB flash/ROM correction control register 0	CORCTL0	-	R/W	-	-	0x00
0xFFFFF901	VFB flash/ROM correction control register 1	CORCTL1	-	R/W	-	-	0x00
0xFFFFF910	VFB flash/ROM correction address register 0L	CORADR0L	-	-	R/W	-	0x0000
0xFFFFF910	VFB flash/ROM correction address register 0LL	CORADR0LL	-	R/W	-	-	0x00
0xFFFFF911	VFB flash/ROM correction address register 0LH	CORADR0LH	-	R/W	-	-	0x00
0xFFFFF912	VFB flash/ROM correction address register 0H	CORADR0H	-	-	R/W	-	0x0000
0xFFFFF912	VFB flash/ROM correction address register 0HL	CORADR0HL	-	R/W	-	-	0x00
0xFFFFF913	VFB flash/ROM correction address register 0HH	CORADR0HH	-	R/W	-	-	0x00
0xFFFFF914	VFB flash/ROM correction address register 1L	CORADR1L	-	-	R/W	-	0x0000
0xFFFFF914	VFB flash/ROM correction address register 1LL	CORADR1LL	-	R/W	-	-	0x00
0xFFFFF915	VFB flash/ROM correction address register 1LH	CORADR1LH	-	R/W	-	-	0x00
0xFFFFF916	VFB flash/ROM correction address register 1H	CORADR1H	-	-	R/W	-	0x0000
0xFFFFF916	VFB flash/ROM correction address register 1HL	CORADR1HL	-	R/W	-	-	0x00
0xFFFFF917	VFB flash/ROM correction address register 1HH	CORADR1HH	-	R/W	-	-	0x00
0xFFFFF918	VFB flash/ROM correction address register 2L	CORADR2L	-	-	R/W	-	0x0000
0xFFFFF918	VFB flash/ROM correction address register 2LL	CORADR2LL	-	R/W	-	-	0x00
0xFFFFF919	VFB flash/ROM correction address register 2LH	CORADR2LH	-	R/W	-	-	0x00
0xFFFFF91A	VFB flash/ROM correction address register 2H	CORADR2H	-	-	R/W	-	0x0000
0xFFFFF91A	VFB flash/ROM correction address register 2HL	CORADR2HL	-	R/W	-	-	0x00
0xFFFFF91B	VFB flash/ROM correction address register 2HH	CORADR2HH	-	R/W	-	-	0x00
0xFFFFF91C	VFB flash/ROM correction address register 3L	CORADR3L	-	-	R/W	-	0x0000
0xFFFFF91C	VFB flash/ROM correction address register 3LL	CORADR3LL	-	R/W	-	-	0x00
0xFFFFF91D	VFB flash/ROM correction address register 3LH	CORADR3LH	-	R/W	-	-	0x00
0xFFFFF91E	VFB flash/ROM correction address register 3H	CORADR3H	-	-	R/W	-	0x0000
0xFFFFF91E	VFB flash/ROM correction address register 3HL	CORADR3HL	-	R/W	-	-	0x00
0xFFFFF91F	VFB flash/ROM correction address register 3HH	CORADR3HH	-	R/W	-	-	0x00
0xFFFFF920	VFB flash/ROM correction address register 4L	CORADR4L	-	-	R/W	-	0x0000
0xFFFFF920	VFB flash/ROM correction address register 4LL	CORADR4LL	-	R/W	-	-	0x00
0xFFFFF921	VFB flash/ROM correction address register 4LH	CORADR4LH	-	R/W	-	-	0x00
0xFFFFF922	VFB flash/ROM correction address register 4H	CORADR4H	-	-	R/W	-	0x0000
0xFFFFF922	VFB flash/ROM correction address register 4HL	CORADR4HL	-	R/W	-	-	0x00
0xFFFFF923	VFB flash/ROM correction address register 4HH	CORADR4HH	-	R/W	-	-	0x00
0xFFFFF924	VFB flash/ROM correction address register 5L	CORADR5L	-	-	R/W	-	0x0000
0xFFFFF924	VFB flash/ROM correction address register 5LL	CORADR5LL	-	R/W	-	-	0x00
0xFFFFF925	VFB flash/ROM correction address register 5LH	CORADR5LH	-	R/W	-	-	0x00
0xFFFFF926	VFB flash/ROM correction address register 5H	CORADR5H	-	-	R/W	-	0x0000
0xFFFFF926	VFB flash/ROM correction address register 5HL	CORADR5HL	-	R/W	-	-	0x00

Table B-2 Other special function registers (17/20)

Address	Register name	Shortcut	1	8	16	32	Initial value
0xFFFF927	VFB flash/ROM correction address register 5HH	CORADR5HH	-	R/W	-	-	0x00
0xFFFF930	VFB flash/ROM correction value register 0L	CORVAL0L	-	-	R/W	-	0x0000
0xFFFF932	VFB flash/ROM correction value register 0H	CORVAL0H	-	-	R/W	-	0x0000
0xFFFF934	VFB flash/ROM correction value register 1L	CORVAL1L	-	-	R/W	-	0x0000
0xFFFF936	VFB flash/ROM correction value register 1H	CORVAL1H	-	-	R/W	-	0x0000
0xFFFF938	VFB flash/ROM correction value register 2L	CORVAL2L	-	-	R/W	-	0x0000
0xFFFF93A	VFB flash/ROM correction value register 2H	CORVAL2H	-	-	R/W	-	0x0000
0xFFFF93C	VFB flash/ROM correction value register 3L	CORVAL3L	-	-	R/W	-	0x0000
0xFFFF93E	VFB flash/ROM correction value register 3H	CORVAL3H	-	-	R/W	-	0x0000
0xFFFF940	VFB flash/ROM correction value register 4L	CORVAL4L	-	-	R/W	-	0x0000
0xFFFF942	VFB flash/ROM correction value register 4H	CORVAL4H	-	-	R/W	-	0x0000
0xFFFF944	VFB flash/ROM correction value register 5L	CORVAL5L	-	-	R/W	-	0x0000
0xFFFF946	VFB flash/ROM correction value register 5H	CORVAL5H	-	-	R/W	-	0x0000
0xFFFF9D0	VSB flash correction control register	COR2CN	-	R/W	-	-	0x00
0xFFFF9FC	On Chip Debug Mode register	OCDM	R/W	R/W	-	-	0x00/0x01
0xFFFFA00	UARTA0 Control register 0	UA0CTL0	R/W	R/W	-	-	0x10
0xFFFFA01	UARTA0 Control register 1	UA0CTL1	R/W	R/W	-	-	0x00
0xFFFFA02	UARTA0 Control register 2	UA0CTL2	R/W	R/W	-	-	0xFF
0xFFFFA03	UARTA0 Option register	UA0OPT0	R/W	R/W	-	-	0x14
0xFFFFA04	UARTA0 Status register	UA0STR	R/W	R/W	-	-	0x00
0xFFFFA06	UARTA0 Reception data register	UA0RX	-	R	-	-	0xFF
0xFFFFA07	UARTA0 Transfer data register	UA0TX	R/W	R/W	-	-	0xFF
0xFFFFA10	UARTA1 Control register 0	UA1CTL0	R/W	R/W	-	-	0x10
0xFFFFA11	UARTA1 Control register 1	UA1CTL1	R/W	R/W	-	-	0x00
0xFFFFA12	UARTA1 Control register 2	UA1CTL2	R/W	R/W	-	-	0xFF
0xFFFFA13	UARTA1 Option register	UA1OPT0	R/W	R/W	-	-	0x14
0xFFFFA14	UARTA1 Status register	UA1STR	R/W	R/W	-	-	0x00
0xFFFFA16	UARTA1 Reception data register	UA1RX	-	R	-	-	0xFF
0xFFFFA17	UARTA1 Transfer data register	UA1TX	R/W	R/W	-	-	0xFF
0xFFFFB00	LCD clock control	LCDC0	R/W	R/W	-	-	0x00
0xFFFFB01	LCD display mode control	LCDM0	R/W	R/W	-	-	0x00
0xFFFFB20	LCD RAM data	SEGREG000	R/W	R/W	-	-	0x00
0xFFFFB20	LCD RAM data	SEGREG020	R/W	R/W	-	-	0x00
0xFFFFB21	LCD RAM data	SEGREG001	R/W	R/W	-	-	0x00
0xFFFFB21	LCD RAM data	SEGREG021	R/W	R/W	-	-	0x00
0xFFFFB22	LCD RAM data	SEGREG002	R/W	R/W	-	-	0x00
0xFFFFB22	LCD RAM data	SEGREG022	R/W	R/W	-	-	0x00
0xFFFFB23	LCD RAM data	SEGREG003	R/W	R/W	-	-	0x00
0xFFFFB23	LCD RAM data	SEGREG023	R/W	R/W	-	-	0x00
0xFFFFB24	LCD RAM data	SEGREG004	R/W	R/W	-	-	0x00
0xFFFFB24	LCD RAM data	SEGREG024	R/W	R/W	-	-	0x00

Table B-2 Other special function registers (18/20)

Address	Register name	Shortcut	1	8	16	32	Initial value
0xFFFFFB25	LCD RAM data	SEGREG005	R/W	R/W	-	-	0x00
0xFFFFFB25	LCD RAM data	SEGREG025	R/W	R/W	-	-	0x00
0xFFFFFB26	LCD RAM data	SEGREG006	R/W	R/W	-	-	0x00
0xFFFFFB26	LCD RAM data	SEGREG026	R/W	R/W	-	-	0x00
0xFFFFFB27	LCD RAM data	SEGREG007	R/W	R/W	-	-	0x00
0xFFFFFB27	LCD RAM data	SEGREG027	R/W	R/W	-	-	0x00
0xFFFFFB28	LCD RAM data	SEGREG008	R/W	R/W	-	-	0x00
0xFFFFFB28	LCD RAM data	SEGREG028	R/W	R/W	-	-	0x00
0xFFFFFB29	LCD RAM data	SEGREG009	R/W	R/W	-	-	0x00
0xFFFFFB29	LCD RAM data	SEGREG029	R/W	R/W	-	-	0x00
0xFFFFFB30	LCD RAM data	SEGREG010	R/W	R/W	-	-	0x00
0xFFFFFB30	LCD RAM data	SEGREG030	R/W	R/W	-	-	0x00
0xFFFFFB31	LCD RAM data	SEGREG011	R/W	R/W	-	-	0x00
0xFFFFFB31	LCD RAM data	SEGREG031	R/W	R/W	-	-	0x00
0xFFFFFB32	LCD RAM data	SEGREG012	R/W	R/W	-	-	0x00
0xFFFFFB33	LCD RAM data	SEGREG013	R/W	R/W	-	-	0x00
0xFFFFFB34	LCD RAM data	SEGREG014	R/W	R/W	-	-	0x00
0xFFFFFB35	LCD RAM data	SEGREG015	R/W	R/W	-	-	0x00
0xFFFFFB36	LCD RAM data	SEGREG016	R/W	R/W	-	-	0x00
0xFFFFFB37	LCD RAM data	SEGREG017	R/W	R/W	-	-	0x00
0xFFFFFB38	LCD RAM data	SEGREG018	R/W	R/W	-	-	0x00
0xFFFFFB39	LCD RAM data	SEGREG019	R/W	R/W	-	-	0x00
0xFFFFFB40	LCD RAM data	SEGREG032	R/W	R/W	-	-	0x00
0xFFFFFB41	LCD RAM data	SEGREG033	R/W	R/W	-	-	0x00
0xFFFFFB42	LCD RAM data	SEGREG034	R/W	R/W	-	-	0x00
0xFFFFFB43	LCD RAM data	SEGREG035	R/W	R/W	-	-	0x00
0xFFFFFB44	LCD RAM data	SEGREG036	R/W	R/W	-	-	0x00
0xFFFFFB45	LCD RAM data	SEGREG037	R/W	R/W	-	-	0x00
0xFFFFFB46	LCD RAM data	SEGREG038	R/W	R/W	-	-	0x00
0xFFFFFB47	LCD RAM data	SEGREG039	R/W	R/W	-	-	0x00
0xFFFFFB60	LCD Bus Interface Control	LBCTL0	R/W	R/W	-	-	0x00
0xFFFFFB61	LCD Bus Interface Cycle Time	LBCYC0	R/W	R/W	-	-	0x02
0xFFFFFB62	LCD Bus Interface Wait States	LBWST0	R/W	R/W	-	-	0x00
0xFFFFFB70	LCD Bus Interface Data	LBDATA0W	-	-	-	R/W	0x00000000
0xFFFFFB70	LCD Bus Interface Data	LBDATA0	-	-	R/W	-	0x0000
0xFFFFFB70	LCD Bus Interface Data	LBDATA0L	-	R/W	-	-	0x00
0xFFFFFB74	LCD Bus Interface Data	LBDATAR0W	-	-	-	R	0x00000000
0xFFFFFB74	LCD Bus Interface Data	LBDATAR0	-	-	R	-	0x0000
0xFFFFFB74	LCD Bus Interface Data	LBDATAR0L	-	R	-	-	0x00
0xFFFFFCA0	Self-programming enable control register	SELFEN	R/W	R/W	-	-	0x00
0xFFFFFCA2	Stand-by control register	STBCTL	R/W	R/W			0x00



Table B-2 Other special function registers (19/20)

Address	Register name	Shortcut	1	8	16	32	Initial value
0xFFFFFCA8	Self-programming enable protection register	SELFENP	-	W	-	-	undefined
0xFFFFFCAA	Stand-by control protection register	STBCTLP	-	W	-	-	undefined
0xFFFFFCB0	CLMM write protection register	PRCMDMM	-	W	-	-	undefined
0xFFFFFCB2	CLMS write protection register	PRCMDMS	-	W	-	-	undefined
0xFFFFFD00	CSIB0 control register 0	CB0CTL0	R/W	R/W	-	-	0x01
0xFFFFFD01	CSIB0 control register 1	CB0CTL1	R/W	R/W	-	-	0x00
0xFFFFFD02	CSIB0 control register 2	CB0CTL2	-	R/W	-	-	0x00
0xFFFFFD03	CSIB0 status register	CB0STR	R/W	R/W	-	-	0x00
0xFFFFFD04	CSIB0 received data register	CB0RX0	-	-	R	-	0x0000
0xFFFFFD04	CSIB0 received data register low byte	CB0RX0L	-	R	-	-	0x00
0xFFFFFD06	CSIB0 send data register	CB0TX0	-	-	R/W	-	0x0000
0xFFFFFD06	CSIB0 send data register low byte	CB0TX0L	-	R/W	-	-	0x00
0xFFFFFD10	CSIB1 control register 0	CB1CTL0	R/W	R/W	-	-	0x01
0xFFFFFD11	CSIB1 control register 1	CB1CTL1	R/W	R/W	-	-	0x00
0xFFFFFD12	CSIB1 control register 2	CB1CTL2	-	R/W	-	-	0x00
0xFFFFFD13	CSIB1 status register	CB1STR	R/W	R/W	-	-	0x00
0xFFFFFD14	CSIB1 received data register	CB1RX0	-	-	R	-	0x0000
0xFFFFFD14	CSIB1 received data register low byte	CB1RX0L	-	R	-	-	0x00
0xFFFFFD16	CSIB1 send data register	CB1TX0	-	-	R/W	-	0x0000
0xFFFFFD16	CSIB1 send data register low byte	CB1TX0L	-	R/W	-	-	0x00
0xFFFFFD20	CSIB2 control register 0	CB2CTL0	R/W	R/W	-	-	0x01
0xFFFFFD21	CSIB2 control register 1	CB2CTL1	R/W	R/W	-	-	0x00
0xFFFFFD22	CSIB2 control register 2	CB2CTL2	-	R/W	-	-	0x00
0xFFFFFD23	CSIB2 status register	CB2STR	R/W	R/W	-	-	0x00
0xFFFFFD24	CSIB2 received data register	CB2RX0	-	-	R	-	0x0000
0xFFFFFD24	CSIB2 received data register low byte	CB2RX0L	-	R	-	-	0x00
0xFFFFFD26	CSIB2 send data register	CB2TX0	-	-	R/W	-	0x0000
0xFFFFFD26	CSIB2 send data register low byte	CB2TX0L	-	R/W	-	-	0x00
0xFFFFFD80	IIC0 shift register	IIC0	-	R/W	-	-	0x00
0xFFFFFD82	IIC0 control register	IICC0	R/W	R/W	-	-	0x00
0xFFFFFD83	IIC0 Slave address register	SVA0	-	R/W	-	-	0x00
0xFFFFFD84	IIC0 combined IICCL0 and IICX0 register	IICCL0IICX0	-	-	R/W	-	0x0000
0xFFFFFD84	IIC0 clock selection register	IICCL0	R/W	R/W	-	-	0x00
0xFFFFFD85	IIC0 function expansion register	IICX0	R/W	R/W	-	-	0x00
0xFFFFFD86	IIC0 state register	IICS0	R	R	-	-	0x00
0xFFFFFD87	IIC0 state register (for emulation only)	IICSE0	R	R	-	-	0x00
0xFFFFFD8A	IIC0 flag register	IICF0	R/W	R/W	-	-	0x00
0xFFFFFD90	IIC1 shift register	IIC1	-	R/W	-	-	0x00
0xFFFFFD92	IIC1 control register	IICC1	R/W	R/W	-	-	0x00
0xFFFFFD93	IIC1 Slave address register	SVA1	-	R/W	-	-	0x00
0xFFFFFD94	IIC1 combined IICCL0 and IICX0 register	IICCL1IICX1	-	-	R/W	-	0x0000

Table B-2 Other special function registers (20/20)

Address	Register name	Shortcut	1	8	16	32	Initial value
0xFFFFFD94	IIC1 clock selection register	IICCL1	R/W	R/W	-	-	0x00
0xFFFFFD95	IIC1 function expansion register	IICX1	R/W	R/W	-	-	0x00
0xFFFFFD96	IIC1 state register	IICS1	R	R	-	-	0x00
0xFFFFFD97	IIC1 state register (for emulation only)	IICSE1	R	R	-	-	0x00
0xFFFFFD9A	IIC1 flag register	IICF1	R/W	R/W	-	-	0x00
0xFFFFFDA0	Clock selection register odd prescaler 0	OCKS0	R/W	R/W	-	-	0x00
0xFFFFFDB0	Clock selection register odd prescaler 1	OCKS1	R/W	R/W	-	-	0x00
0xFFFFFDC0	Pre-scalar mode register	PRSM0	R/W	R/W	-	-	0x00
0xFFFFFDC1	Pre-scalar compare register	PRSCM0	R/W	R/W	-	-	0x00
0xFFFFFDE0	Pre-scalar mode register	PRSM1	R/W	R/W	-	-	0x00
0xFFFFFDE1	Pre-scalar compare register	PRSCM1	R/W	R/W	-	-	0x00
0xFFFFDF0	Pre-scalar mode register	PRSM2	R/W	R/W	-	-	0x00
0xFFFFDF1	Pre-scalar compare register	PRSCM2	R/W	R/W	-	-	0x00
0xFFFFFE00	DMA trigger source select register 0	DTFR0	R/W	R/W	-	-	0x00
0xFFFFFE02	DMA trigger source select register 1	DTFR1	R/W	R/W	-	-	0x00
0xFFFFFE04	DMA trigger source select register 2	DTFR2	R/W	R/W	-	-	0x00
0xFFFFFE06	DMA trigger source select register 3	DTFR3	R/W	R/W	-	-	0x00
0xFFFFF00	Read delay control register	RDDLY	R/W	R/W	-	-	0x00
0xFFFFF10	Voltage Comparator 0 Control	VCCTL0	R/W	R/W	-	-	0x00
0xFFFFF12	Voltage Comparator 0 Status	VCSTR0	R/W	R/W	-	-	0x01
0xFFFFF14	Voltage Comparator 1 Control	VCCTL1	R/W	R/W	-	-	0x00
0xFFFFF16	Voltage Comparator 1 Status	VCSTR1	R/W	R/W	-	-	0x01
0xFFFFF20	Reset Source Flag register	RESSTAT	R/W	R/W	-	-	0x02/0x01
0xFFFFF22	Software reset register	RESSWT	W	W	-	-	0x00
0xFFFFF24	Software reset enable register	RESCMD	W	W	-	-	0x00
0xFFFFF26	Reset status register	RES	-	R/W	-	-	0x00

## Revision History

This revision list shows all functional changes of this document U17566EE5V1UM00 compared to the previous manual version U17566EE4V0UM00 (date published 5/6/09) and U17566EE5V0UM00 (date published 6/10/09)

Revision history compared to U17566EE4V0UM00		
Chapter	Page	Description
1	18	3rd CAN channel (CAN2) added for $\mu$ PD70F3421, $\mu$ PD70F3422, $\mu$ PD70F3423, $\mu$ PD70F3424, $\mu$ PD70F3425, $\mu$ PD70F3427
1	18	3rd TMG channel (TMG2) added for $\mu$ PD70F3421, $\mu$ PD70F3422, and $\mu$ PD70F3423
1	20	3rd CAN channel (CAN2) added for $\mu$ PD70F3421, $\mu$ PD70F3422, $\mu$ PD70F3423, $\mu$ PD70F3424, $\mu$ PD70F3425, $\mu$ PD70F3427
1	21	block diagram of V850E/DJ3 updated and corrected:- CAN 2 added- TMG2 inputs corrected to TIG20 to TIG25
1	22	Note for TMG2 removed from table
1	22	Note for CAN2 channel added to table
1	23	block diagram of V850E/DL3 updated:- CAN2 added
2	35	description of 16-bit access for PMn registers removed
2	40	description of 16-bit access for PPRn registers removed
2	42	description of 16-bit access for PILCn registers added
2	55	alternative output CTXD2 added to P16
2	55	alternative input CRXD2 added to P17
2	55	alternative outputs TOG21 to TOG24 added to P34 to P37
2	55	alternative inputs TIG21 to TIG24 added to P34 to P37
2	56	alternative input TIG20 added to P60
2	56	alternative output TOG21 added to P61
2	56	alternative input TIG21 added to P61
2	56	alternative input TIG25 added to P62
2	56	alternative output TOG24 added to P63
2	56	alternative input TIG24 added to P63
2	56	alternative output TOG22 added to P66
2	56	alternative input TIG22 added to P66
2	56	alternative output TOG23 added to P67
2	56	alternative input TIG23 added to P67
2	57	alternative outputs TOG21 to TOG24 added to P110 to P113
2	58	alternative output CTXD2 added to P16
2	58	alternative input CRXD2 added to P17
2	62	alternative input CRXD2 added to list of $\mu$ PD70F3421, $\mu$ PD70F3422, $\mu$ PD70F3423, $\mu$ PD70F3424, $\mu$ PD70F3425, and $\mu$ PD70F3427
2	62	alternative output CTXD2 added to list of $\mu$ PD70F3421, $\mu$ PD70F3422, $\mu$ PD70F3423, $\mu$ PD70F3424, $\mu$ PD70F3425, and $\mu$ PD70F3427
2	66	alternative inputs TIG20 to TIG25 added to list of $\mu$ PD70F3421, $\mu$ PD70F3422, and $\mu$ PD70F3423
2	66	alternative outputs TOG21 to TOG24 added to list of $\mu$ PD70F3421, $\mu$ PD70F3422, and $\mu$ PD70F3423

Revision history compared to U17566EE4V0UM00		
Chapter	Page	Description
2	71	alternative output CTXD2 added to P16
2	71	alternative input CRXD2 added to P17
2	71	PFC1 register added
2	75	PFC34 to PFC37 bits available on all devices
2	81	PFC61, PFC63, PFC66 and PFC67 bits available on all devices
2	91	PFC111 to PFC113 bits available on all devices
2	91	PFC111 to PFC113 bits available on all devices
2	110	TIG20 to TIG25, TOG21 to TOG24, CRXD2, CTXD2 added to pin overview of of $\mu$ PD70F3421, $\mu$ PD70F3422, $\mu$ PD70F3423
2	111	CRXD2, CTXD2 added to pin overview of of $\mu$ PD70F3424, $\mu$ PD70F3425, $\mu$ PD70F3426A
2	112	CRXD2, CTXD2 added to pin overview of $\mu$ PD70F3427
5	217	TMG2 interrupts (INTTG2OV0, INTTG2OV1, INTTG2CC0, INTTG2CC1, INTTG2CC2, INTTG2CC3, INTTG2CC4, INTTG2CC5) added to interrupt/exception source list of $\mu$ PD70F3421, $\mu$ PD70F3422, $\mu$ PD70F3423
5	217	CAN2 interrupts (INT2ERR, INTC2WUP, INTC2REC, INTC2TRX) added to interrupt/exception source list of $\mu$ PD70F3421, $\mu$ PD70F3422, $\mu$ PD70F3423
5	221	TMG2 interrupts (INTTG2OV0, INTTG2OV1, INTTG2CC0, INTTG2CC1, INTTG2CC2, INTTG2CC3, INTTG2CC4, INTTG2CC5) added to interrupt/exception source list of $\mu$ PD70F3424, $\mu$ PD70F3425, $\mu$ PD70F3426A, $\mu$ PD70F3427
5	221	CAN2 interrupts (INT2ERR, INTC2WUP, INTC2REC, INTC2TRX) added to interrupt/exception source list of $\mu$ PD70F3424, $\mu$ PD70F3425, $\mu$ PD70F3426A, $\mu$ PD70F3427
5	249	CAN2 interrupt control registers (C2ERRIC, C2WUPIC, C2RECIC, C2TRXIC) added to tabel of addresses and bits of interrupt control registers
5	253	mask bits TG2OV0MK, TG2OV1MK, TG2CC0MK to TG2CC5MK added to IMR5 register of $\mu$ PD70F3421, $\mu$ PD70F3422, $\mu$ PD70F3423
7	292	VSb RAM memory size corrected to 24 KB
7	292	end address of VSb RAM address range corrected to 00605FFFH
9	380	CORADDRn corrected to CORADRn
9	381	CORADDRn corrected to CORADRn
9	382	description of COR3CTL0 register removed
9	383	description of COR3CTL1 register removed
9	384	description of COR3ADRnL registers removed
9	385	description of COR3ADRnH registers removed
9	386	description of COR3VALnL registers removed
9	386	description of COR3VALnH registers removed
13	493	TMG2 added for $\mu$ PD70F3421, $\mu$ PD70F3422, and $\mu$ PD70F3423
18	632	flow chart of CSIB single transmission/reception corrected: - "INTCBnT bit = 1?" replaced by "INTCBnR generated"? - checking of CBnTSF bit removed
18	633	flow chart of CSIB single reception corrected: - "INTCBnR bit = 1?" replaced by "INTCBnR generated"?
18	634	flow chart of CSIB single transmission/reception corrected: - "INTCBnR bit = 1?" replaced by "INTCBnR generated"?

Revision history compared to U17566EE4V0UM00		
Chapter	Page	Description
18	635	flow chart of CSIB continuous transmission corrected: - "INTCBnT bit = 1?" replaced by "INTCBnT generated"? - "CBnTSF bit = 1?" replaced by "CBnTSF bit = 0"
18	636	flow chart of continuous reception replaced
18	637	flow chart of continuous transmission/reception replaced
20	719	3rd CAN channel (CAN2) added for $\mu$ PD70F3427, $\mu$ PD70F3425, $\mu$ PD70F3424, $\mu$ PD70F3423, $\mu$ PD70F3422, $\mu$ PD70F3421
20	745	CAN2 added to CAN module base addresses table
25	935	unused bits in SG0FH register corrected to [15:9]
B	997	initial values added to list of CAN special function registers
B	999	CAN2 registers added to list of CAN special function registers
B	1001	initial values added to list of other special function registers
B	1002	IMR6, IMR6L, IMR6H registers register added to list of other special function registers
B	1004	C2ERRIC register added to list of other special function registers
B	1004	C2WUPIC register added to list of other special function registers
B	1004	C2RECIC register added to list of other special function registers
B	1004	C2TRXIC register added to list of other special function registers
B	1007	PILC7 register access corrected to 16-bit access
B	1007	PILC7L register added to list of other special function registers
B	1007	PILC7H register added to list of other special function registers
B	1008	P14 register added to list of other special function registers
B	1008	PMC7 register access corrected to 16-bit access
B	1008	PMC7L register added to list of other special function registers
B	1008	PMC7H register added to list of other special function registers
B	1009	PFC0 register added to list of other special function registers
B	1009	PFC1 register added to list of other special function registers
B	1009	PFC2 register added to list of other special function registers
B	1017	COR2CN register added to list of other special function registers

Revision history compared to U17566EE5V0UM00		
Chapter	Page	Description
2	86	limitation of LCD bus I/F pins (DBD[7:0]) to " $\mu$ PD70F3424, $\mu$ PD70F3425, $\mu$ PD70F3426A, $\mu$ PD70F3427 only" removed
2	110	SIB2, SOB2 and SCK2 removed from port P80 to P82 (pin no. 97 to 95) in pin overview of $\mu$ PD70F3421, $\mu$ PD70F3422, $\mu$ PD70F3423
2	111	SIB2, SOB2 and SCK2 added to port P94 to P96 (pin no. 111 to 113) in pin overview of $\mu$ PD70F3424, $\mu$ PD70F3425, $\mu$ PD70F3426A
4	145	set up of the SSCG post clock divider after start of SSCG removed from start-up guideline (SSCG post clock divider setting only permitted when SSCG is off)
4	155	sub chapter of SSCG control registers corrected (mistakenly inserted twice; former sub chapter 4.2.2 removed)
9	392	empty sub chapter 9.4 removed



[www.DataSheet4U.com](http://www.DataSheet4U.com)

# Index

## Numerics

- 16-bit data busses
  - Access to 342
- 8-bit data busses
  - Access to 336

## A

- A/D conversion result register Hn (ADCR0Hn) 859, 866
- A/D conversion result register n (ADCR0n) 859, 866
- A/D Converter 857
  - Basic operation 869
  - Cautions 876
  - Configuration 859
  - Control registers 861
  - How to read A/D Converter characteristics table 878
  - Operation mode 871
  - Power-fail compare mode 873
  - Trigger mode 870
- Access to
  - 16-bit data busses 342
  - 8-bit data busses 336
  - External devices (initialization) 299
- ADA0M0 862
- ADA0M1 863
- ADA0M2 864
- ADA0PFM 868
- ADA0PFT 860, 868
- ADA0S 865
- ADC channel specification register 0 (ADA0S) 865
- ADC mode register 0 (ADA0M0) 862
- ADC mode register 1 (ADA0M1) 863
- ADC mode register 2 (ADA0M2) 864
- ADCR0Hn 859, 866
- ADCR0n 859, 866
- Address setup wait control register (ASC) 313
- Address space 126
  - CPU 126
  - Images 126
  - Physical 126
- ADIC 239
- Analog filtered inputs 104
- ASC 313
- Asynchronous Serial Interface
  - see UARTA
- Automatic PWM phase shift 895

## B

- Baud rate generator
  - CSIB 638
  - UARTA 599
- BCC 315
- BCTn 311
- BCU (Bus Control Unit) 289
- BCU registers 301
- BEC 309
- BMC 316
- Boundary operation conditions 298
- BPC 301
- Bus and memory control 289
  - Registers 300
- Bus cycle configuration register (BCTn) 311
- Bus cycle control register (BCC) 315
- Bus mode control register (BMC) 316

## C

- CALLT base pointer (CTBP) 124
- CAN (Controller area network) 719
- CAN Controller 719
  - Baud rate settings 821
  - Bit set/clear function 752
  - Configuration 722
  - Connection with target system 744
  - Control registers 754
  - Diagnosis functions 816
  - Functions 732
  - Initialization 790
  - Internal registers 745
  - Interrupt function 815
  - Message reception 794
  - Message transmission 802
  - Operation 829
  - Overview of functions 721
  - Power saving modes 810
  - Register access type 747
  - Register bit configuration 749
  - Special operational modes 816
  - Time stamp function 820
  - Transition from initialization mode to operation mode 792
- CAN protocol 723
- CANn global automatic block transmission control register (CnGMABT) 757
- CANn global automatic block transmission delay register (CnGMABTD) 759
- CANn global clock selection register (CnGMCS) 756
- CANn global control register (CnGMCTRL) 754

## Index

---

- CANn message configuration register m (CnMCONFm) 784
- CANn message control register m (CnMCTRLm) 787
- CANn message data byte register (CnMDATAxm) 781
- CANn message data length register m (CnMDLcM) 783
- CANn message ID register m (CnMIDLm, CnMIDHm) 786
- CANn module bit rate prescaler register (CnBRP) 772
- CANn module bit rate register (CnBTR) 773
- CANn module control register (CnCTRL) 762
- CANn module error counter register (CnERC) 768
- CANn module information register (CnINFO) 767
- CANn module interrupt enable register (CnIE) 769
- CANn module interrupt status register (CnINTS) 771
- CANn module last error information register (CnLEC) 766
- CANn module last in-pointer register (CnLIPT) 774
- CANn module last out-pointer register (CnLOPT) 776
- CANn module mask control register (CnMASKaL, CnMASKaH) 760
- CANn module receive history list register (CnRGPT) 775
- CANn module time stamp register (CnTS) 779
- CANn module transmit history list register (CnTGPT) 777
- CBnCTL0 612
- CBnCTL1 614
- CBnCTL2 616
- CBnREIC 239
- CBnRIC 239
- CBnRX 619
- CBnSTR 618
- CBnTIC 239
- CBnTX 619
- CGSTAT 149
- Chip area select control registers (CSCn) 305
- Chip select signals 292
- CKC 148
- CLMCS 178
- CLMM 175
- CLMM write protection register (PRCMDcMM) 176
- CLMS 177
- CLMS write protection register (PRCMDcMS) 177
- Clock Generator 139
  - Default setup 197
  - Operation 196
  - Registers 146
  - Start conditions 144
- Clock Generator control register (CKC) 148
- Clock Generator registers 146
  - General 148
  - Peripheral clock 161
  - SSCG control 155
- Clock Generator status register (CGSTAT) 149
- Clock monitors 142
  - Operation 198
  - Registers 175
- Clock output FOUTCLK 196
- Clocked Serial Interface
  - see CSIB
- Clocks
  - CPU 141
  - Peripheral 141
  - Special clocks 142
- CnBRP 772
- CnBTR 773
- CnCTRL 762
- CnERC 768
- CnERRIC 239
- CnGMABT 757
- CnGMABTD 759
- CnGMCS 756
- CnGMCTRL 754
- CnIE 769
- CnINFO 767
- CnINTS 771
- CnLEC 766
- CnLIPT 774
- CnLOPT 776
- CnMASKaH 760
- CnMASKaL 760
- CnMCONFm 784
- CnMCTRLm 787
- CnMDATAxm 781
- CnMDLcM 783
- CnMIDHm 786
- CnMIDLm 786
- CnRECIC 239
- CnRGPT 775
- CnTGPT 777
- CnTRXIC 239



- CnTS 779
  - CnWUPIC 239
  - Combined compare control registers (MCMPnKHw) 889
  - Command protection register (PHCMD) 150
  - Command register (PRCMD) 173, 267
  - Common signals (LCD Controller/Driver) 904
  - Compare control registers (MCMPnK) 890
  - Compare registers for cosine side (MCMPnK1) 889
  - Compare registers for sine side (MCMPnK0) 888
  - Control registers for peripheral clocks 161
  - COR2ADn 392
  - COR2CN 390
  - CORADn 391
  - CORADRnH 384
  - CORADRnL 383
  - CORCN 390
  - CORCTL0 382
  - CORCTL1 382
  - CORVALnH 386
  - CORVALnL 385
  - CPU
    - Address space 126
    - Clocks 141
    - Core 16
    - Functions 113
    - Operation after power save mode release 193
    - Register set 115
  - CR001 561
  - CRC0 560
  - CS 292
  - CSCn 305
  - CSIB
    - Baud rate generator 638
    - Control registers 611
    - Operation 620
    - Operation flow 632
    - Output pins 631
  - CSIB (Clocked Serial Interface) 609
  - CSIB transmit data register (CBnTX) 619
  - CSIBn control register 0 (CBnCTL0) 612
  - CSIBn control register 1 (CBnCTL1) 614
  - CSIBn control register 2 (CBnCTL2) 616
  - CSIBn receive data register (CBnRX) 619
  - CSIBn status register (CBnSTR) 618
  - CTBP 124
  - CTPC 119
  - CTPSW 122
- D**
- DADCn 358
  - Data access order 336
  - Data address space
    - Recommended use 134
  - Data busses
    - Access order 336
  - Data space 128
  - Data wait control registers (DWCn) 314
  - DBCn 357
  - DBPC 119, 261, 262, 263, 264
  - DBPSW 122, 261, 262, 263, 264
  - DCHCn 360
  - DDAHn 355
  - DDALn 356
  - Debug Function (on-chip)
    - Restrictions and Cautions 982
  - Debug function (on-chip) 969
    - Code protection 393
  - Debug Trap 263
  - Default clock setting 194
  - DFEN0 106
  - DFEN1 107
  - Digital filter enable register (DFEN0) 106
  - Digital filter enable register (DFEN1) 107
  - Digitally filtered inputs 104
  - DMA (direct memory access) 349
  - DMA Addressing Control Registers n (DADCn) 358
  - DMA Channel Control Registers n (DCHCn) 360
  - DMA Controller 349
    - Automatic restart function 366
    - Channel priorities 368
    - Control registers 353
    - Forcible interruption 368
    - Forcible termination 369
    - Transfer completion 371
    - Transfer mode 371
    - Transfer object 367
    - Transfer start factors 368
    - Transfer type 367
  - DMA destination address registers Hn (DDAHn) 355
  - DMA destination address registers Ln (DDALn) 356
  - DMA Functions 349
  - DMA Restart Register (DRST) 361
  - DMA source address registers Hn (DSAHn) 353
  - DMA source address registers Ln (DSALn) 354
  - DMA Transfer Count Registers n (DBCn) 357

DMA Trigger Source Select Register n (DTFRn) 362  
DMA<sub>n</sub>IC 239  
DRST 361  
DSAH<sub>n</sub> 353  
DSAL<sub>n</sub> 354  
DTFR<sub>n</sub> 362  
Duty factor (pulse width modulation) 892  
DWC<sub>n</sub> 314

**E**

ECR 123  
EIPC 119, 232, 234, 238, 259, 260, 264, 265  
EIPSW 122, 232, 234, 238, 259, 260, 264, 265  
Element pointer (EP) 115, 117  
Endian configuration register (BEC) 309  
Endian format 322  
Exception status flag (EP) 261  
Exception trap 261  
External bus properties 297  
    Bus access 298  
    Bus priority order 297  
    Bus width 297  
External devices  
    Initialization for access 299  
    Interface timing 324  
External interrupt configuration registers (INTM<sub>n</sub>) 257  
External memory area 131  
External reset 958

**F**

FCC 166  
FEPC 119, 226, 229, 230  
FEPSW 122, 226, 229, 230  
Fixed peripheral I/O area 295  
Flash area 130, 131  
Flash memory 269  
    Address assignment 271  
    Checksum 396  
    ID-field 396  
    Protection 393  
    Self-programming 275  
Flash programmer 279  
    Communication mode 280  
    Pin connection 283  
    Programming method 285  
Flash programming  
    Mode 126  
    via N-Wire 278  
    with flash programmer 279

FOUTCLK control register (FCC) 166

**G**

GCC<sub>n</sub>0 503  
GCC<sub>n</sub>5 503  
GCC<sub>n</sub>m 504  
General purpose registers (r0 to r31) 117  
Global pointer (GP) 115, 117

**H**

HALT Mode 181

**I**

I<sup>2</sup>C bus 645  
    Acknowledge signal 672  
    Address match detection method 696  
    Arbitration 698  
    Cautions 705  
    Communication operations 706  
    Control registers 654  
    Definitions and control methods 669  
    Error detection 696  
    Extension code 697  
    Interrupt request signal (INTIIC<sub>n</sub>) generation timing and wait control 695  
    Interrupt request signals (INTIIC<sub>n</sub>) 677  
    Pin configuration 669  
    Stop condition 674  
    Timing of data communication 712  
    Transfer direction specification 672  
    Wait signal 675  
    Wakeup function 699  
ICC 168  
ID code 971  
IDLE mode 182  
Idle pins  
    Recommended connection 109  
Idle state insertion (access to external devices) 324  
IIC clock control register (ICC) 168  
IIC clock select registers (IICCL<sub>n</sub>) 664  
IIC control registers (IICC<sub>n</sub>) 655  
IIC division clock select registers (OCKS<sub>n</sub>) 665  
IIC flag registers (IICF<sub>n</sub>) 662  
IIC function expansion registers (IICX0<sub>n</sub>) 665  
IIC shift registers (IIC<sub>n</sub>) 668  
IIC status registers (IICS<sub>n</sub>) 659  
IICCL<sub>n</sub> 664  
IICC<sub>n</sub> 655  
IICF<sub>n</sub> 662  
IIC<sub>n</sub> 668

- IICnIC 239
  - IICSn 659
  - IICX0n 665
  - Illegal opcode
    - Definition 261
  - Images in address space 126
  - IMRn 252
  - Initialization for access to external devices 299
  - In-service priority register (ISPR) 255, 267
  - Instruction set 16
  - INT70IC 239
  - INT71IC 239
  - INTC (Interrupt Controller) 201
  - Internal oscillator
    - Operation after power save mode 196
  - Internal peripheral function wait control register (VSWC) 303
  - Internal RAM area 130
  - Internal VFB flash and ROM area 130
  - Internal VSB flash area 131
  - Internal VSB RAM area 131
  - Interrupt
    - Maskable 232
    - Non-maskable 226
    - Processing (multiple interrupts) 264
    - Response time 266
  - Interrupt control register (PICn) 267
  - Interrupt Controller 201
    - Debug trap 263
    - Edge and level detection configuration 257
    - Exception trap 261
    - Periods in which interrupts are not acknowledged 267
    - Software exception 259
  - Interrupt mask registers IMRn 252
  - Interrupt/exception source register (ECR) 123
  - INTMn 257
  - ISPR 255, 267
- L**
- LBCTL 916
  - LBCYC 917
  - LBDATA 919
  - LBDATA register
    - Access types 913
  - LBDATAR 921
  - LBS 312
  - LBWST 918
  - LCD
    - Activation of segments 906
    - Panel addressing 899
    - LCD Bus Interface 911
      - Access modes 913
      - Interrupt generation 914
      - Registers 915
      - Timing 922
    - LCD Bus Interface control register (LBCTL) 916
    - LCD Bus Interface cycle time register (LBCYC) 917
    - LCD Bus Interface data register (LBDATA) 919
    - LCD Bus Interface data register (LBDATAR) 921
    - LCD Bus Interface wait state register (LBWST) 918
    - LCD clock control register (LCDC0) 901
    - LCD Controller/Driver 897
      - Common signals 904
      - Registers 900
      - Segment signals 905
    - LCD display control register (SEGREG0k) 903
    - LCD mode control register (LCDM0) 903
    - LCDC0 901
    - LCDIC 239
    - LCDM0 903
    - Link pointer (LP) 115, 117
    - Local bus size configuration register (LBS) 312
- M**
- Main oscillator clock monitor register (CLMM) 175
  - Maskable interrupt status flag (ID) 255
  - Maskable interrupts 232
  - Maskable Interrupts Control Register (xxIC) 239
  - MCMPnK 890
  - MCMPnK0 888
  - MCMPnK1 889
  - MCMPnKHW 889
  - MCNTCn0 887
  - MCNTCn1 887
  - MEMC (Memory Controller) 289
  - Memory 130
    - Access configuration 322
    - Areas 130
    - Banks 292
    - Controller registers 311
- N**
- Noise elimination
    - Pin input 104
    - Timer G 529
  - Non-maskable interrupts 226
  - Normal operation mode 125
  - N-Wire

## Index

---

- Code protection 393
- Connection to emulator 978
- Controlling the interface 974
  - emulator 969
- Enabling methods 976
- Flash programming 278
- ID code 971
- Security disabling 972
- Security function 971
- N-Wire security disable control register (RSUDIS) 972
- O**
- OCDM 38
- OCKSn 665
- OCTLGn 501
- OCTLGnH 501
- OCTLGnL 501
- On-chip debug mode register (OCDM) 38
- Operation modes 125
  - Flash programming mode 126
  - Normal operation mode 125
- P**
- Package pins assignment 110
- Page ROM
  - Access timing 331
  - Controller 320
- Page ROM configuration register (PRC) 318
- Page ROM Controller 320
- PC 119
- PC saving registers 119
- PCC 152
- PDSCn 41
- Peripheral area selection control register (BPC) 301
- Peripheral clocks 141
  - Control registers 161
- Peripheral function select register (PFSR0) 45
- Peripheral function select register (PFSR1) 46
- Peripheral function select register (PFSR2) 47
- Peripheral function select register (PFSR3) 48
- Peripheral I/O area 295
  - fixed 295
  - programmable 133, 296
- Peripheral status register (PHS) 151
- PFCn 36
- PFSR0 45
- PFSR1 46
- PFSR2 47
- PFSR3 48
- PHCMD 150
- PHS 151
- Physical address space 126
- PICCn 41
- PILCn 42
- Pin functions 27
  - After reset/in stand-by modes 108
  - Unused pins 109
- PLCDCn 37
- PMcN 36
- PMn 35
- Pn 39
- PnIC 239
- POC (Power-On Clear) 957
- PODCn 43
- Port drive strength control register (PDSCn) 41
- Port function control register (PFCn) 36
- Port groups 28
  - Configuration 54
  - Configuration registers 33
- Port input characteristic control register (PICCn) 41
- Port input level control register (PILCn) 42
- Port LCD control register (PLCDCn) 37
- Port mode control register (PMcN) 36
- Port mode register (PMn) 35
- Port open drain control register (PODCn) 43
- Port pin read register (PPRn) 40
- Port read control register (PRCn) 40
- Port register (Pn) 39
- Power save control register (PSC) 172
- Power save mode control register (PSM) 169
- Power Save Modes 179
- Power save modes 143
  - Activation 191
  - Control registers 169
  - CPU operation after release 193
  - Description 179
- Power Supply Scheme 947
- Power-fail compare mode register (ADA0PFM) 868
- Power-fail compare threshold value register (ADA0PFT) 860, 868
- Power-on Clear
  - Reset 957
- PPA (programmable peripheral I/O area) 296
- PPRn 40
- PRC 318
- PRCMD 173, 267
- PRCMDcMM 176

- PRCMDCMS 177  
 PRCn 40  
 Prescaler compare registers (PRSCMn) 639  
 Prescaler mode registers (PRSMn) 639  
 PRM0 559  
 Processor clock control register (PCC) 152  
 Program counter (PC) 119  
 Program space 128  
 Program status word (PSW) 120  
 Programmable peripheral I/O area 133, 296  
 PRSCMn 639  
 PRSMn 639  
 PSC 172  
 PSM 169  
 PSW 120  
 PSW saving registers 122  
 PWM (pulse width modulation) 448  
 PWM phase shift (automatic) 895
- R**
- RAM area 130, 131  
 RDDLY 317  
 Read delay control register (RDDLY) 317  
 regID (system register number) 118  
 Reload register  
   Timer Y (TYnRm) 539  
   Timer Z (TZnR) 489  
   Watch Timer (WTnR) 553  
 Reset 953  
   At power-on 957  
   By clock monitor 959  
   By software 959  
   By Watchdog Timer 959  
   External reset 958  
   Hardware status after reset 955  
   Register status after reset 956  
   Registers 960  
   Variable vector 396  
 Reset source flag register (RESSTAT) 960  
 RESSTAT 960  
 RESSWT 961  
 ROM area 130  
 ROM correction  
   Data Replacement 376  
   DBTRAP 387  
 ROM correction address registers  
   COR2ADn 392  
   CORADn 391  
   CORADRnH 384  
   CORADRnL 383  
 ROM correction control registers  
   COR2CN 390  
   CORCN 390  
   CORCTL0 382  
   CORCTL1 382  
 ROM Correction Function 375  
   DBTRAP operation and program flow 388  
 ROM correction value registers  
   CORVALnH 386  
   CORVALnL 385  
 ROMC (ROM controller) 292  
 RSUDIS write protection register (RSUDIS) 973  
 RSUDISC 972  
 RSUDISCP 973
- S**
- SAR 859  
 Saturated operation instructions 121  
 SCC 165  
 SCFC0 156  
 SCFC1 157  
 SCFMC 158  
 SCPS 160  
 SDC 154  
 Segment signals (LCD Controller/Driver) 905  
 SEGREG0k 903  
 SELFEN 275, 276  
 SELFENP 275, 276  
 Self-programming enable control register (SELFEN) 275, 276  
 Self-programming enable protection register (SELFENP) 275, 276  
 Set default clock register (SDC) 154  
 SFR (special function register) 997  
 SG0 control register (SG0CTL) 933  
 SG0 frequency high register (SG0FH) 935  
 SG0 frequency low register (SG0FL) 934  
 SG0 interrupt threshold register (SG0ITH) 938  
 SG0 sound duration factor register (SG0SDF) 937  
 SG0 volume register (SG0PWM) 936  
 SG0CTL 933  
 SG0FH 935  
 SG0FL 934  
 SG0IC 239  
 SG0ITH 938  
 SG0PWM 936  
 SG0SDF 937  
 Slave address registers (SVAn) 668  
 Software exception 259  
 Software reset register (RESSWT) 961

## Index

---

- Sound Generator 929
    - Application hints 945
    - Operation 939
    - Registers 932
  - SPCLK control register (SCC) 165
  - Special clocks 142
  - Special function registers (list) 997
  - SSCG control registers 155
  - SSCG frequency control register 0 (SCFC0) 156
  - SSCG frequency control register 1 (SCFC1) 157
  - SSCG frequency modulation control register (SCFMC) 158
  - SSCG post scaler control register (SCPS) 160
  - Stack pointer (SP) 115, 117
  - Stand-by
    - Control 142
    - Mode of Voltage Comparator 964
  - Stand-by control protection register (STBCTLP) 174
  - Stand-by control register (STBCTL) 174
  - STBCTL 174
  - STBCTLP 174
  - Stepper Motor Controller/Driver 883
    - Operation 891
    - Registers 886
  - STOP mode 185
  - Sub oscillator
    - Operation after power save mode 196
  - Sub oscillator clock monitor control register (CLMCS) 178
  - Sub oscillator clock monitor register (CLMS) 177
  - Sub-chapter "Default clock generator setup" added 197
  - Sub-WATCH mode 184
  - Successive approximation register (SAR) 859
  - SVA<sub>n</sub> 668
  - System register set 118
- ## T
- TCC 163
  - Test pointer (TP) 115
  - Text pointer (TP) 117
  - TGnCCmIC 239
  - TGnOV0IC 239
  - TGnOV1IC 239
  - Time base status register (TMGST<sub>n</sub>) 502
  - Timer G 493
    - Basic Operation 506
    - Control registers 497
    - Edge Noise Elimination 529
    - Match and Clear Mode 518
    - Operation in Free-Run Mode 507
    - Output Delay Operation 505
    - Precautions 530
  - Timer G capture/compare registers with external PWW-output function (GCC<sub>nm</sub>) 504
  - Timer Gn 16-bit counter registers (TMG<sub>n0</sub>, TMG<sub>n1</sub>) 502
  - Timer Gn capture/compare registers (GCC<sub>n0</sub>, GCC<sub>n5</sub>) 503
  - Timer Gn channel mode register (TMGCM<sub>n</sub>/TMGCM<sub>nL</sub>/TMGCM<sub>nH</sub>) 500
  - Timer Gn mode register (TMGM<sub>n</sub>/TMGM<sub>nL</sub>/TMGM<sub>nH</sub>) 498
  - Timer Gn output control register (OCTLG<sub>n</sub>/OCTLG<sub>nL</sub>/OCTLG<sub>nH</sub>) 501
  - Timer mode control registers (MCNTC<sub>n0</sub>, MCNTC<sub>n1</sub>) 887
  - Timer Y 533
    - Output timing calculations 541
    - Registers 535
    - Timing 540
  - Timer Z 483
    - Registers 485
  - Timer Z timing 490
    - Steady operation 490
    - Timer start and stop 491
  - Timer/Event Counter P 397
    - Configuration 398
    - External event count mode 421
    - External trigger pulse output mode 430
    - Free-running timer mode 457
    - Interval timer mode 412
    - One-shot pulse output mode 441
    - Operation 412
    - Pulse width measurement mode 474
    - PWM output mode 448
    - Timer output operations 480
  - TM0 561
  - TM01IC 239
  - TMC0 558
  - TMG (Timer G) 494
  - TMGCM<sub>n</sub> 500
  - TMGCM<sub>nH</sub> 500
  - TMGCM<sub>nL</sub> 500
  - TMGM<sub>n</sub> 498
  - TMGM<sub>nH</sub> 498
  - TMGM<sub>nL</sub> 498
  - TMG<sub>n0</sub> 502
  - TMG<sub>n1</sub> 502
  - TMGST<sub>n</sub> 502
  - TMP (Timer/event counter P) 397

- TMPn capture/compare register 0 (TPnCCR0) 408  
 TMPn capture/compare register 1 (TPnCCR1) 410  
 TMPn control register 0 (TPnCTL0) 402  
 TMPn control register 1 (TPnCTL1) 403  
 TMPn counter read buffer register (TPnCNT) 411  
 TMPn I/O control register 0 (TPnIOC0) 404  
 TMPn I/O control register 1 (TPnIOC1) 405  
 TMPn I/O control register 2 (TPnIOC2) 406  
 TMPn option register 0 (TPnOPT0) 407  
 TMY (Timer Y) 533  
 TMY I/O control register (TYnIOC) 537  
 TMY non-synchronized counter registers (TYnCNTm1) 538  
 TMY synchronized counter registers (TYnCNTm0) 537  
 TMY timer control register (TYnCTL) 536  
 TMZ (Timer Z) 483  
 TMZn non-synchronized counter register (TZnCNT1) 488  
 TMZn synchronized counter register (TZnCNT0) 487  
 TMZn timer control register (TZnCTL) 486  
 TPnCC0IC 239  
 TPnCC1IC 239  
 TPnCCR0 408  
 TPnCCR1 410  
 TPnCNT 411  
 TPnCTL0 402  
 TPnCTL1 403  
 TPnIOC0 404  
 TPnIOC1 405  
 TPnIOC2 406  
 TPnOPT0 407  
 TPnOVIC 239  
 TY0CCnIC 239  
 TYnCNTm0 537  
 TYnCNTm1 538  
 TYnCTL 536  
 TYnIOC 537  
 TYnRm 539  
 TZnCNT0 487  
 TZnCNT1 488  
 TZnCTL 486  
 TZnR 489  
 TZnUVIC 239
- U**
- UAnCTL0 579  
 UAnCTL1 600  
 UAnCTL2 601  
 UAnOPT0 581  
 UAnREIC 239  
 UAnRIC 239  
 UAnRX 584  
 UAnSTR 582  
 UAnTIC 239  
 UAnTX 584  
 UARTA  
     Cautions 606  
     Dedicated baud rate generator 599  
     Interrupt Request Signals 585  
     Operation 586  
 UARTAn control register 0 (UAnCTL0) 579  
 UARTAn control register 1 (UAnCTL1) 600  
 UARTAn control register 2 (UAnCTL2) 601  
 UARTAn option control register 0 (UAnOPT0) 581  
 UARTAn receive data register (UAnRX) 584  
 UARTAn receive shift register 577  
 UARTAn status register (UAnSTR) 582  
 UARTAn transmit data register (UAnTX) 584  
 UARTAn transmit shift register 577
- V**
- VCCTLn 965  
 VCnIC 239  
 VCSTRn 966  
 Voltage Comparator 963  
     Registers 965  
 Voltage Comparator n control register (VCCTLn) 965  
 Voltage Comparator n status register (VCSTRn) 966  
 Voltage regulators 952  
 VSWC 303
- W**
- Wait functions (access to external devices) 322  
 Watch Calibration Timer  
     Operation 549, 562  
     Registers 557  
 WATCH mode 183  
 Watch Timer 545  
     Operation control (WT0) 548  
     Operation of WT1 548  
     Registers 550  
 Watch Timer clock control register (TCC) 163  
 Watch Timer operation 554  
     Start-Up 555  
     Steady operation 554

## Index

---

Watchdog Timer 565  
    Clock 567  
    Registers 569  
Watchdog Timer clock control register  
    (WCC) 161  
Watchdog Timer clock selection register  
    (WDCS) 570  
Watchdog Timer command protection register  
    (WCMD) 573  
Watchdog Timer command status register  
    (WPHS) 574  
Watchdog Timer mode register (WDTM) 572  
WCC 161  
WCMD 573  
WCT (Watch Calibration Timer) 545  
WCT capture / compare control register  
    (CRC0) 560  
WCT capture / compare register 1 (CR001) 561  
WCT mode control register (TMC0) 558  
WCT prescaler mode register (PRM0) 559  
WCT timer / counter read register (TM0) 561  
WDCS 570  
WDTM 572  
WPHS 574  
Write protected registers 135  
WT (Watch Timer) 545  
WT0 (Watch Timer 0) 545  
WT1 (Watch Timer 1) 545  
WTn non-synchronized counter read register  
    (WTnCNT1) 552  
WTn synchronized counter register  
    (WTnCNT0) 551  
WTn timer control register (WTnCTL) 550  
WTnCNT0 551  
WTnCNT1 552  
WTnCTL 550  
WTnR 553  
WTnUVIC 239

## Z

Zero register 115, 117













